

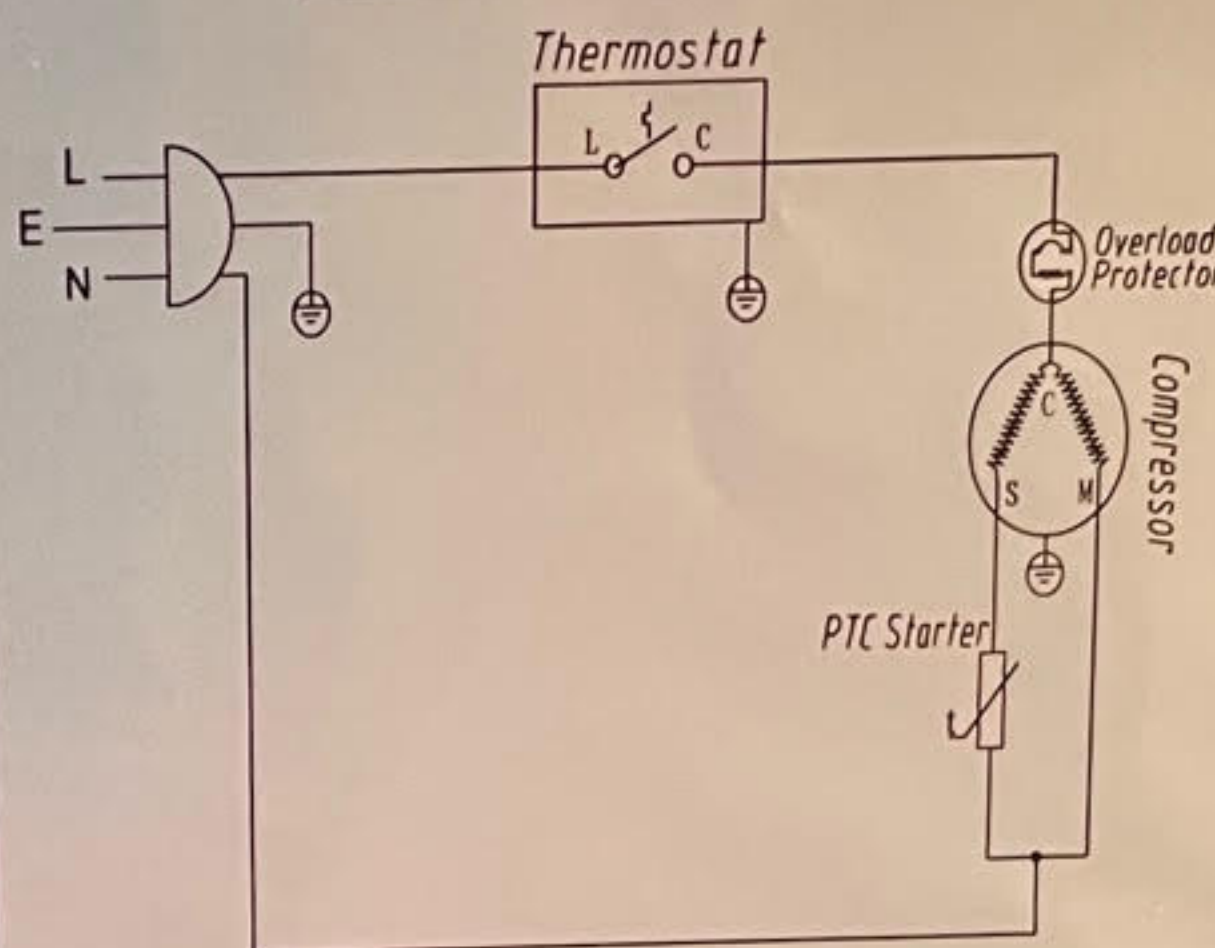
# WLA

## Koelkast

MODEL: BC430W  
BC430B

RATED VOLTAGE:	220-240V~
RATED FREQUENCY:	50Hz
RATED CURRENT:	0.5A
REFRIGERANT, AMOUNT:	R600a, 15g
TOTAL VOLUME:	43L
FRESH FOOD COMPARTMENT VOLUME:	43L
CLIMATE CLASS:	N/ST/T
ANNUAL ENERGY CONSUMPTION AE:	100kWh/a
ENERGY CONSUMPTION E16:	0.135kWh/24h
ENERGY CONSUMPTION E32:	0.410kWh/24h
PRETECTION AGAINST ELECTRIC SHOCK:	I
INSULATION BLOWING AGENT:	Cyclopentane

### ELECTRIC SCHEMA



Albers Trading BV  
Vareseweg 44  
3047 AV Rotterdam  
MADE IN P.R.C



WLA

BC430B



S/N: 540 - F8238701 - 2329 - 1110283

