



Comfortpool

SWIMMING POOL HEAT PUMP UNIT

Installation & Instruction Manual

ZWEMBAD WARMTEPOMP

Installatie & Gebruikershandleiding



Applicable Model / Van toepassing op:

ECO+3

ECO+5

ECO+8

ECO+10

ECO+12

Contents

1. PREFACE	4
2. SPECIFICATIONS	6
2.1 Performance data of ECO Swimming Pool Heat Pump Unit	6
2.2 Dimensions of swimming pool heat pump unit	7
3. INSTALLATION OF THE HEAT PUMP UNIT	8
3.1 Heat pump location	8
3.2 Distance to the pool	9
3.3 Connecting the bypass	9
3.4 Electrical wiring	10
3.5 Initial start-up	10
3.6 Condensation	11
4. GUIDELINES	11
4.1 Water chemistry	11
4.2 Winterizing	11
4.3 Spring start-up	12
4.4 Owner inspection	12
5. CHECKUP AND MAINTENANCE	13
5.1 Maintenance	13
5.2 Trouble shooting guide	13
5.3 Microcontroller	14
6. DETAILED SPECIFICATIONS	15
6.1 Electrical wiring diagram of the heat pump	15
7. WARRANTY	16

Inhoud

1. INLEIDING	17
2. SPECIFICATIES	19
2.1 Performance data of ECO Swimming Pool Heat Pump Unit	19
2.2 Afmetingen van de zwembad warmtepomp	20
3. INSTALLATIE VAN DE WARMTEPOMP	21
3.1 Locatie van de warmtepomp	21
3.2 Afstand tot het zwembad	22
3.3 Aansluiting van de bypass	22
3.4 Elektrische bedrading	23
3.5 Eerste gebruik	23
3.6 Condensatie	24
4. RICHTLIJNEN	24
4.1 Waterchemie	24
4.2 Winterklaar maken	24
4.3 Voorjaarsopstart	25
4.4 Inspectie	25
5. CONTROLE EN ONDERHOUD	26
5.1 Onderhoud	26
5.2 Probleemoplossing	26
5.3 Microcontroller	27
6. GEDETAILLEERDE SPECIFICATIES	28
6.1 Elektrisch bedradingsdiagram van de warmtepomp	28
7. GARANTIE	29

SWIMMING POOL HEAT PUMP UNIT

Installation & Instruction Manual

1. Preface

- * In order to provide our customers with quality, reliability and versatility, this product has been made to strict producing standards. This manual includes all necessary information about installation, debugging, discharging and maintenance. Please read this manual carefully before you open or maintain the unit. The manufacturer of this product will not be held responsible if someone is injured or if the unit is damaged, as a result of improper installation or use, debugging or unnecessary maintenance. It is vital that the instructions within this manual are adhered to at all times. Only qualified persons should install the unit.
- * Only a qualified installer, center, personnel or an authorized dealer are allowed to repair the unit.
- * Maintenance and operation must be carried out at the recommended time and frequency, as stated in this manual.
- * Use genuine standard spare parts only.
- * Failure to comply with these recommendations will void the warranty.
- * The swimming pool heat pump unit heats the swimming pool water and keeps the temperature constant.

Our heat pump has following characteristics:

Durable

The heating exchanger is made of PVC and titanium tubes, which can withstand prolonged exposure to (salt) swimming pool water.

Easy operation

The unit is very easy to operate: switch it on and set the desired pool water temperature.

Quiet operation

The unit comprises an efficient rotary compressor and a low-noise fan motor, which guarantees its quiet operation. The unit can heat your swimming pool water when the air temperature is 10°C or higher.

Low cost

The operational costs are very low due to its high performance.

Safety warnings & instructions

Read and follow all instructions in this manual and on the equipment. Failure to do so could result in severe or fatal injuries, or damage the heat pump.

- * The heat pump should be installed in accordance with local regulations, and the requirements in this manual.
- * This is not a TOY. Do not leave children alone and unsupervised around the heat pump.
- * Children are not allowed to operate the heat pump.
- * This heat pump is not intended for use by someone with reduced physical, sensory or mental capabilities, or a lack of experience and knowledge, unless they have been given instructions concerning the appliance and are under supervision of the person responsible for their safety.
- * Failure to follow the safety instructions may result in damage to the heat pump or other products, electric shock, water leaks, fire, serious injuries or death.
- * Before the installation, and again before using the heat pump for the first time, the entire product must be inspected before start-up.
- * Only qualified personnel should install the heat pump.
- * The heat pump must be equipped with proper electrical connections and grounding, and secured with a proper fuse. If in doubt, consult a qualified electrician.
- * DO NOT use the heat pump if any damage is detected. If you notice that the pump does not operate normally, or emits a strange odor, immediately shut off the power and contact a qualified heat pump technician.
- * Only a qualified technician should move the heat pump.
- * DO NOT attempt to repair the heat pump, this will void the warranty.
- * DO NOT attempt to disassemble the heat pump, this will void the warranty.
- * Always turn off the power to the heat pump before cleaning or performing maintenance on the heat pump or water system.
- * DO NOT use flammable cleaning materials to clean the heat pump.
- * DO NOT use or place the heat pump near toxic substances, flammable or combustible liquids such as gasoline, or in the presence of explosive or flammable fumes.
- * Never insert body parts, (loose) clothing or other objects into the openings and moving parts of the pool vacuum.
- * Always place the heat pump on a stable surface to prevent it from tilting or falling.

Above warnings and cautions are not intended to incorporate all possible instances for risks and/or severe injuries. Owners and users of the heat pump should always exercise caution and common sense when utilizing the product.

Note: This manual can be modified without notice if the unit is altered in any way.

2. Specifications

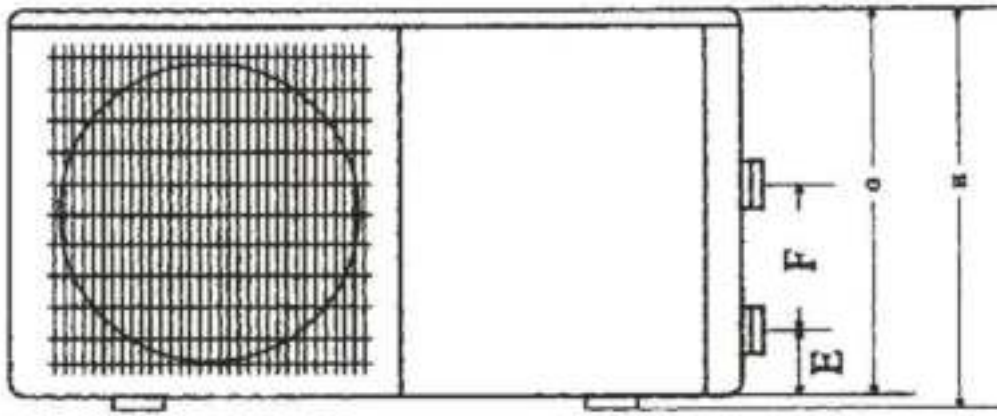
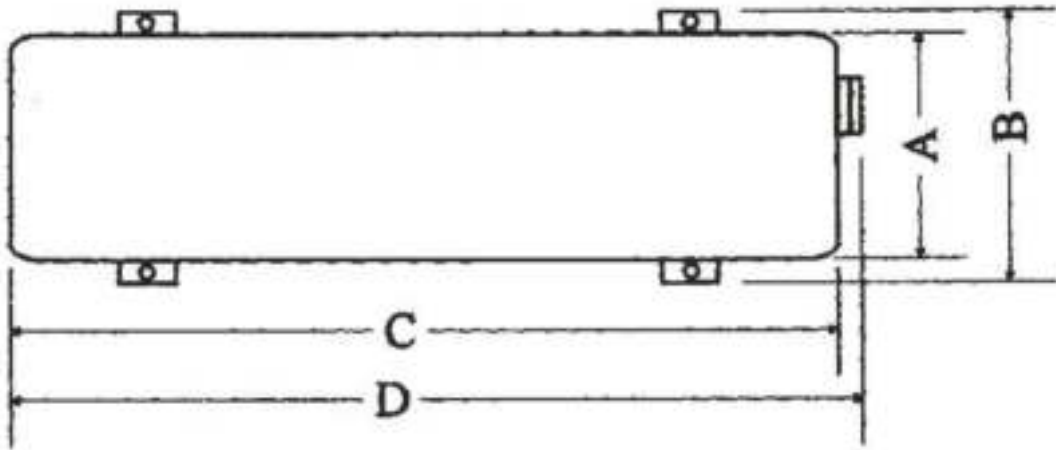
2.1 Performance data of ECO Swimming Pool Heat Pump Unit

MODEL		ECO+3	ECO+5	ECO+8	ECO+10	ECO+12
Heating Capacity in A27/W27°C	W	3700	5500	6200	8900	11500
Heating Capacity in A15/W26°C	W	3000	4000	4500	6100	8200
Heating Capacity	W	3000	4500	5300	7800	9500
Heating Input Power	W	729	1050	1250	1650	2230
Heating Running Current	A	3.3	5	5.7	7.5	10.6
Power Supply		220V/1Ph/50Hz				
Controller		Mechanical Controller				
Condenser		PVC With Titanium				
Quantity of Compressor		1	1	1	1	1
Compressor Type		Rotary				
Noise	dB(A)	51	54	55	55	57
Water Connection	mm	50	50	50	50	50
Water Flow Volume	m³/h	3-5	4-6	4-6	4-7	4-7
Water Pressure Drop	kpa	10	10	12	12	15
Dimension (L)	mm	770	936	936	936	1010
(W)	mm	300	360	360	360	370
(H)	mm	490	550	550	550	615
Packing Size(L)	mm	820	1090	1090	1090	1170
(W)	mm	315	390	390	390	415
(H)	mm	525	580	580	580	645
Net Weight / Gross Weight	kg	29/32	36/39	39/42	54/57	63/67

Measurement conditions:

Dry bulb 24° C, wet bulb 19° C, water inlet temp. 27° C.

2.2 Dimensions of swimming pool heat pump unit



	A	B	C	D	E	F	G	H
ECO+3	213	295	720	760	80	200	455	490
ECO+5	280	365	906	940	80	200	521	550
ECO+10	280	365	906	940	80	200	521	550
ECO+12	301	375	975	1015	83	270	585	615

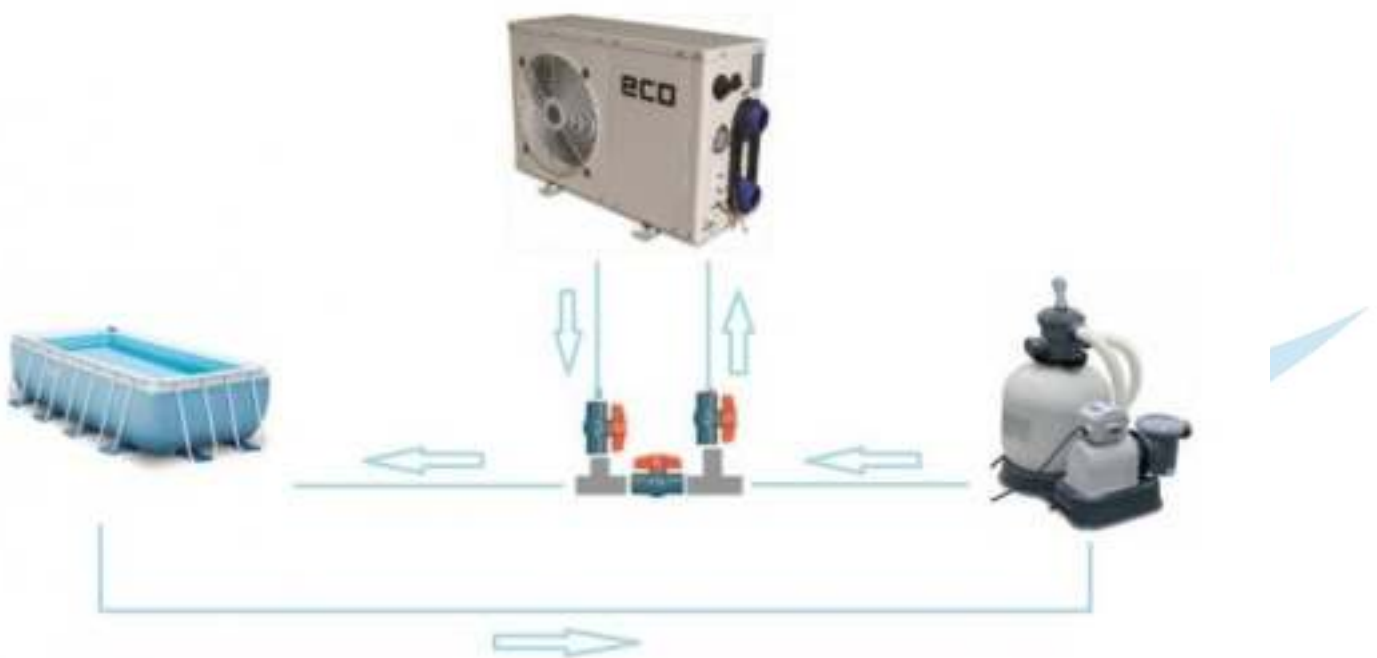
3. Installation of the heat pump unit

The factory only provides the heat pump unit. Other items, including an eventual bypass, that are necessary for the water system, are to be provided by users or installers.

Attention! Please follow these steps when installing the heat pump:

1. All feeding of chemicals to the pool water must be done downstream of the heat pump.
2. Install a bypass when the flow of the pool pump is more than 20% above the rated flow of the heat exchanger of the heat pump.
3. Install the heat pump on a solid foundation and use the damping rubbers to eliminate vibrations and noise.
4. Always keep the unit straight up. If the unit has been tilted or put on its side, allow 24h before starting the unit.

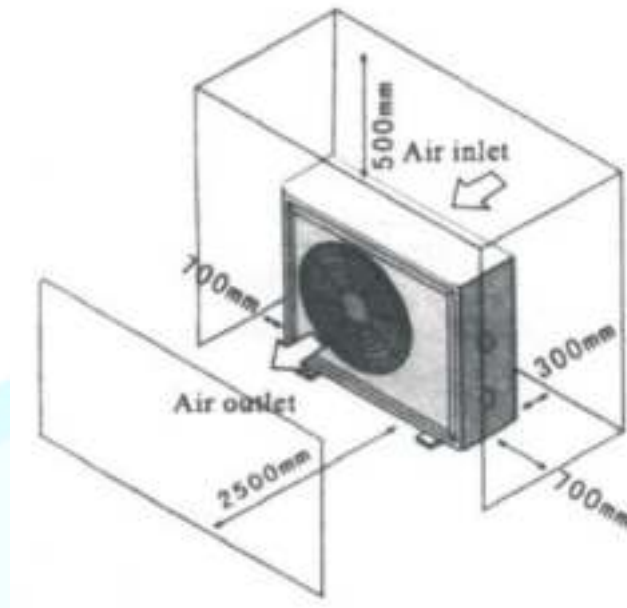
3.1 Heat pump location



The unit may be installed virtually anywhere outdoors. If you wish to place the heat pump inside, make sure there is enough room and ventilation around the pump.

DO NOT put the unit in an enclosed area with a limited air volume where the discharge air will be re-circulated. **DO NOT** put the unit next to shrubs, which can block the air inlet. Such locations deny a continuous source of fresh air, which reduce its efficiency and may prevent adequate heat delivery. Install the heat pump where you have the best access to warm air during the swimming season.

The picture below illustrates the minimum required distances from each side of the heat pump.



3.2 Distance to the pool

Install the heat pump as close to the swimming pool as possible to minimize heat loss through the piping.

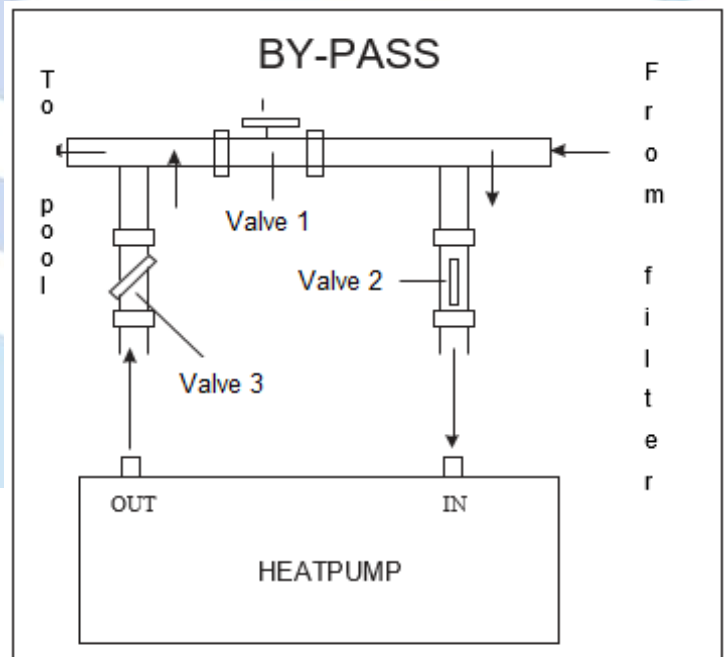
3.3 Connecting the bypass

With the bypass set correctly, your heat pump will deliver its best performance. The bypass has to be built as shown below:

- VALVE1** – Slightly closed
(water pressure increased from 10 to 20 bar)
- VALVE2** – Completely open
- VALVE3** – Half way open

Setting the valve of the bypass:

1. Open all 3 valves entirely
2. Slightly close valve 1
3. Close valve 3 about half way to adjust the refrigerant pressure



3.4 Electrical wiring

Note: Verify the local power supply and the operating voltage of the heat pump. It is recommended to use the included separate circuit breaker for the heat pump, together with the proper wiring characteristics (see wiring diagram). The current to the heat pump should only be applied when the filter pump is running. Further connect the electrical supply to the junction box inside the unit. All ECO heat pumps require single-phase connection.

Grounding: The circuit breaker protects you against electrical shock caused by a possible short circuit inside the unit. The heat pump in itself is unable to provide a water flow. Therefore, the heat pump must be wired electrically together with the filter pump to ensure a water flow while the heat pump is running.

MODEL	POWER SUPPLY (VOLT)	CIRCUIT BREAKER (A)	RUNNING CURRENT (A)	CABLE DIAMETER (mm ²) cable length max. 15m
ECO+3	220-240	16	3,3	1,5
ECO+5	220-240	16	4,8	1,5
ECO+10	220-240	20	7,5	2,5
ECO+12	220-240	20	10	2,5

* Values in this table are only guidelines. Please check your local regulations.

3.5 Initial start-up

Startup procedure

After the installation is completed, you should follow these steps:

1. Open bypass valve 1 entirely. Turn on your filter pump, check for water leaks and verify the flow to and from the pool.
2. Turn on the electrical power supply to the unit, then turn the unit ON with the switch. Slightly close valve 1 until the heat pump starts.
3. After a few minutes, check if the air leaving the unit is cooler.
4. Allow the unit and filter pump to run 24 hours a day until the desired pool water temperature is reached. When the set temperature is reached, the unit shuts off. The unit will now automatically restart (as long as your pool pump is running) when the temperature of the pool water drops more than 1°C below set temperature.

Several days are needed to bring the temperature of your swimming pool water to its required value. Covering the pool or the use of ground insulation can drastically reduce this period.

Time delay

The unit is equipped with a built in 3-minute start delay to protect the control circuit components and to eliminate restart cycling and contactor chatter. This time delay will automatically restart the unit approximately 3 minutes after each circuit interruption. Even a brief power interruption of the power supply will activate this delay and prevent the unit from starting until the 3-minute countdown is completed.

3.6 Condensation

Since the heat pump cools down the air about 8°C – 12 °C, water may condense on the fins of the evaporator. If the relative humidity is very high, this could be as much as several liters an hour. Sometimes this condensation water is wrongly considered as swimming pool water.

4. Guidelines

4.1 Water chemistry

Special care should be taken to keep the chemical balance of your swimming pool within limits:

pH	7,0 – 7,4
Free chlorine (mg/l)	0,5 – 1,2
TAC (mg/l)	80 – 120
Salt (g/l)	max. 3

Important: failure to keep the swimming pool water between above limits will void the warranty.

Note: when the concentration of one or more products mentioned above becomes too high, irrevocable damage to your heat pump may occur. Make sure that you always install water treatment equipment after the heat pump. When an automatic chemical feeder is installed in the plumbing, it must be installed downstream of the heat pump. A check valve must be installed between the heat pump and the chemical feeder to prevent back-siphoning of chemically saturated water into the heat pump where it will damage the components.

4.2 Winterizing

Important: failure to winterize could damage the heat pump and will void the warranty

In areas where freezing temperatures occur, you should protect your pump, filter, and heat pump from the elements. Perform the following steps to completely drain the heat pump:

1. Turn off the electrical power to the heat pump at the main breaker panel.
2. Shut off the water supply to the heat pump: completely close valve 2 and 3 on the bypass.
3. Disconnect the water inlet and outlet and let the water drain from the heat pump.
4. Re-connect the water inlet and outlet loosely to prevent debris entering the connections.

4.3 Spring start-up

If your heat pump has been winterized, perform the following steps when starting the system in the spring:

1. Inspect the system for any debris or structural problems.
2. Connect the water inlet and outlet couplers firmly.
3. Turn on the filter pump to supply water to the heat pump. Adjust the bypass to allow water flow through the heat pump.
4. Turn on the electrical power to the heat pump at the main breaker panel.

4.4 Owner inspection

The ECO heat pumps are designed and constructed to provide long performance life when installed and operated properly and under normal conditions. Periodic inspection is important to keep your heat pump running safe and efficiently. The following basic guidelines are suggested for your inspection:

1. Make sure the front of the unit is accessible for future service.
2. Keep the surrounding areas of the heat pump clear of all debris.
3. Keep all plants and shrubs trimmed and away from the heat pump.
4. Keep lawn sprinkler heads from spraying on the heat pump to prevent corrosion and damage.
5. If the unit is installed under a very sharp roof pitch or under a roof without a gutter, a gutter or diverter should be fitted to prevent excessive water from pouring down onto the unit.
6. Do not use the heat pump if any part has been under water. Immediately call a qualified professional technician to inspect the heat pump and replace any part of the control system that has been submerged.

The heat pump will produce condensation(water) while in operation. The heat pump base is designed to allow the condensation to exit through the bottom drain port. The condensation will increase as the outdoor air humidity level increases. Check the following at regular intervals to ensure proper condensate drainage:

1. Visually inspect and clear the bottom drain port of any debris that could clog the port.
2. Keep the air intake area and discharge area clear of debris so the airflow through the heat pump is not restricted. The cooler discharge air should not accumulate and be drawn into the side air intake coils.

During normal operation, the heat pump produces ten to twenty liters of condensate per hour. If condensate drainage is above this range during operation, or if water continues to drain from the base when the heat pump is not in operation for more than an hour, a leak in the internal plumbing may have occurred. Call a qualified heat pump technician to investigate the problem.

Note: A quick way to verify if the water running through the drain is condensation water is to shut off the unit and keep the pool pump running. If the water stops running out of the base pan, it is condensation water. An even quicker way is to test the drain water for chlorine. If there is no chlorine present, then it's condensation.

5. Checkup and maintenance

5.1 Maintenance

- Check the water supply to the unit often. Low water flow or air entering the system should be avoided, as this will diminish the unit's performance and reliability. You should clean the pool/spa filter regularly to avoid damage to the heat pump as a result of dirty or clogged filter.
- The area around the unit should be dry, clean and well ventilated. Clean the side heating exchanger regularly to maintain good heat exchange and to save energy.
- Only a certified technician should service the operation pressure of the refrigerant system.
- Check the power supply and cable connection often. Should the unit begin to operate abnormally, switch it off and contact a qualified technician.
- In winter, discharge all water from the heat pump and other systems to prevent damage from freezing.
- You should discharge the water at the bottom of the heat pump if the unit will not work for an extended period of time. You should check the unit thoroughly and fill the system with water fully before using it for the first time after a prolonged period of no usage.

5.2 Trouble shooting guide

Improper installation will create an electrical hazard, which could result in death or serious injury to pool users, installers, or others due to electrical shock, and may also cause damage to property. **DO NOT** attempt any internal adjustments inside the heat pump.

WARNING:

1. Keep your hands and hair clear of the fan blades to avoid injury.
2. If you are not familiar with your pool filtering system and heat pump:
 - a. **DO NOT** attempt to adjust or service without consulting your dealer or professional pool technician.
 - b. Read the entire installation and users guide before attempting to use, service or adjust the heater of pool filtering system.

NOTE: Turn off the power to the unit prior to attempt service or repair.

PROBLEM	CAUSE	SOLUTION
Heat pump not running		
	1. No electricity	1. Switch on the electrical power
	2. Heat pump not turned on	2. Switch on the heat pump
	3. Water pump not running	3. Switch on the water pump
	4. Wrong temperature setting	4. Adjust the temperature setting
	5. Bypass wrongly adjusted	5. Adjust bypass as shown in manual
	6. No gass pressure	6. Call a qualified technician
	7. Time delayed operation	7. Wait 3 min for heat pump to start
	8. Air temperature below 10°C	8. Wait until temperature has risen
No sufficient heating		
	1. Obstacles blocking air flow	1. Increase access of fresh air
	2. Ice on the evaporator	2. Turn heat pump off (air too cold)
	3. Bypass wrongly adjusted	3. Re-adjust the bypass
	4. To much water flow	4. Adjust the bypass

5.3 Microcontroller

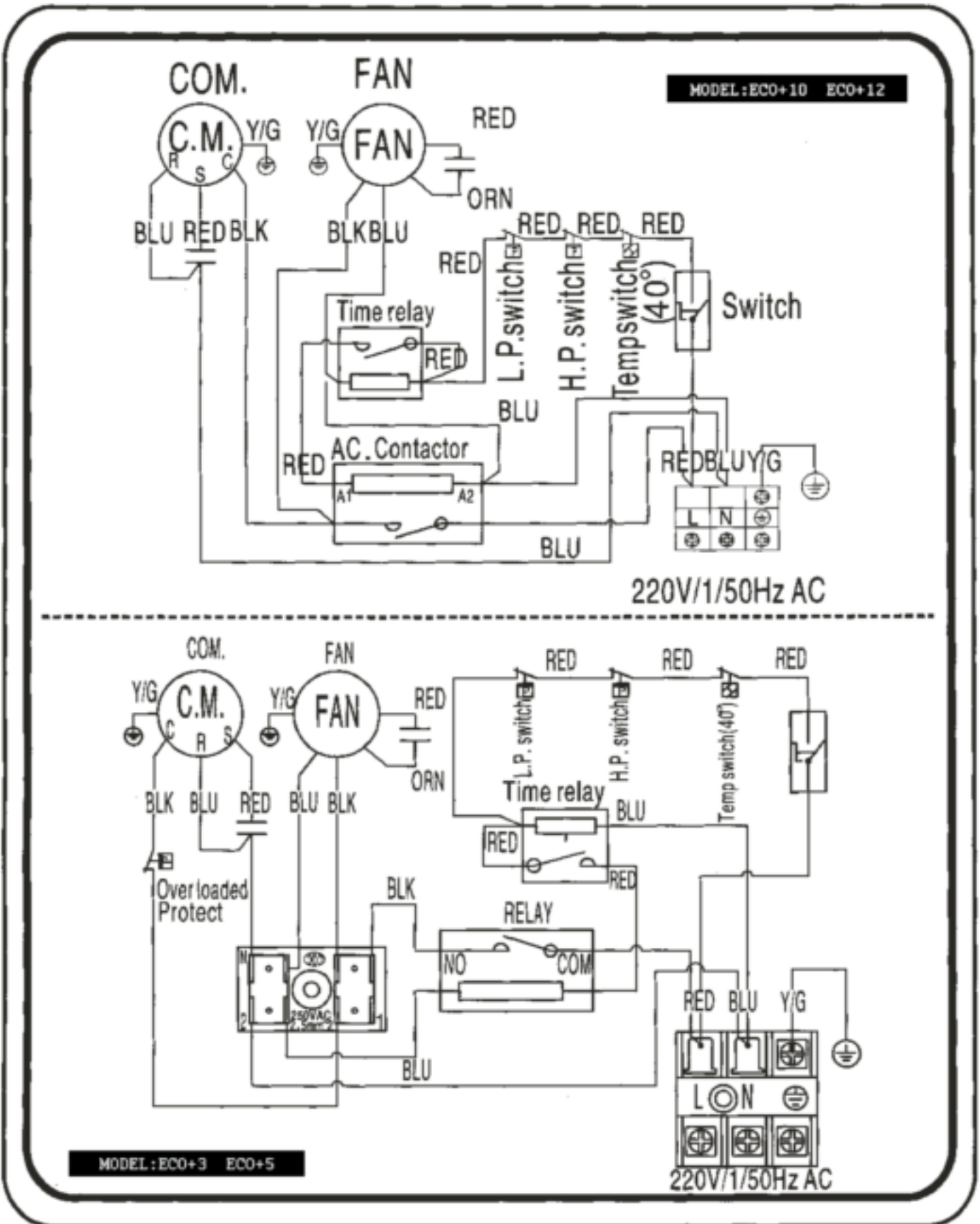
The ECO+ heat pumps are equipped with a microcontroller on which it is possible to read error codes. These error codes are formulated by LED lights on the circuit board. To access the circuit board, remove the 4 screws of the service cover (with "ECO+" on it). At the top of heat pump you will find the PCB containing the LED lights.

Compare which LEDs are lit to the following error code table

ERROR CODE	LED 1	LED 2	LED 3	LED 4	TROUBLE SHOOTING
000 Standby mode	●	●	●	☆	Standard mode
001 Running mode	●	●	☆	●	Standard mode
002 Air ambient temp. sensor error	●	☆	●	●	Check the cable connection of the ambient temp. sensor / replace the sensor
003 High pressure protection	☆	●	●	●	Refrigerant system pressure is high, check pressure gauge, increase the water volume
004 Low pressure protection	●	●	☆	☆	Refrigerant system pressure is low, check pressure gauge, refeed refrigerant
005 Water flow protection	●	☆	●	☆	Check if the water inlet/outlet connection is correct of not, increase the water volume
006 Stop running in limited air temp. (8°C)	☆	●	●	☆	Air temp. is lower than 8°C, stop the heat pump until temp. over 8°C

6. Detailed specifications

6.1 Electrical wiring diagram of the heat pump



7. Warranty

Thank you for purchasing our heat pump.

We warrant all parts to be free from manufacturing defects in materials and workmanship for a period of two years from the date of purchase.

This warranty is limited to the first retail purchaser, is not transferable, and does not apply to products that have been moved from their original installation sites. The liability of Comfortpool shall not exceed the repair or replacement of defective parts and does not include any costs for labor to remove and reinstall a defective part, transportation to or from the factory or supplier, and any other materials required to execute a possible repair. This warranty does not cover failures or malfunctions resulting from the following:

1. Failure to properly install, operate or maintain the product in accordance with our published "Installation and Instruction Manual" provided with the product.
2. The workmanship of any installer of the product.
3. Not maintaining a proper chemical balance in your pool (pH level between 7,0 and 7.4. Total Alkalinity (TAC) between 80 and 120 ppm. Free Chlorine between 0,5 and 1,2 mg/l. Total Dissolved Solids (TDS) less than 1200 ppm. Salt maximum 3 g/l).
4. Abuse, alterations, accidents, fire, flood, lightning, rodents, insects, negligence or force majeure.
5. Scaling, freezing or other conditions causing inadequate water circulation.
6. Operating the product at water flow rates outside the published minimum and maximum specifications.
7. Use of non-factory authorized parts of accessories in conjunction with the product.
8. Chemical contamination of combustion air or improper use of sanitizing chemicals, such as introducing sanitizing chemicals upstream of the heat pump and cleaner hose or through the skimmer.
9. Overheating, incorrect wire runs, improper electrical supply, collateral damage caused by failure of O-rings, DE grids or cartridge elements, or damage caused by running the pump with insufficient quantities of water.

Limitation of liability

This is the only warranty given by the manufacturer. No one is authorized to make any other warranties on our behalf. This warranty is in lieu of all other warranties, expressed or implied, including but not limited to any implied warranty of fitness for a purpose and merchantability. We expressly disclaim and exclude any liability for consequential, incidental, indirect or punitive damages for breach of any expressed or implied warranty. This warranty gives you specific legal rights, which may vary by country.

For further information or warranty consideration, please contact your dealer.



ZWEMBAD WARMTEPOMP

Installatie & Gebruikershandleiding

1. Inleiding

- * Teneinde kwaliteit, betrouwbaarheid en veelzijdigheid aan onze klanten te kunnen leveren voldoet dit product aan strenge productienormen. Deze handleiding bevat alle benodigde informatie ten aanzien van de installatie, probleemoplossing, het laten leeglopen en het onderhoud van de warmtepomp. Lees deze handleiding zorgvuldig door alvorens de warmtepomp te openen of er onderhoud aan te plegen. De fabrikant van dit product kan niet aansprakelijk worden gesteld wanneer iemand gewond raakt of de warmtepomp beschadigt als gevolg van onjuiste installatie, verkeerd gebruik of onnodig onderhoud. Het is van vitaal belang dat de instructies in deze handleiding ten alle tijden worden nageleefd.
- * Alleen een gekwalificeerde installateur, centrum, personeel of geautoriseerde dealer dient de warmtepomp te installeren of te repareren.
- * Gebruik en onderhoud dienen gedurende de aanbevolen tijd en met de aanbevolen frequentie te worden uitgevoerd, zoals beschreven staat in deze handleiding.
- * Gebruik alleen originele standaardonderdelen.
- * Met het niet naleven van deze aanbevelingen zal de garantie komen te vervallen.
- * De zwembad warmtepomp verwarmt het zwembadwater en houdt de temperatuur constant.

Onze warmtepomp heeft de volgende kenmerken:

Duurzaam

De warmtewisselaar is gemaakt van PVC en titanium buizen, die langdurige blootstelling aan (zout) zwembadwater kunnen weerstaan.

Gebruiksvriendelijk

De warmtepomp is zeer eenvoudig te bedienen: zet hem aan en stel de gewenste watertemperatuur in.

Stille werking

De warmtepomp bestaat uit efficiënte schroefcompressor en een geluidsarme ventilatormotor, wat een stille werking garandeert. De warmtepomp kan uw zwembadwater opwarmen wanneer de luchttemperatuur 10°C of hoger is.

Lage kosten

De operationele kosten zijn zeer laag vanwege de hoge prestaties.

Veiligheidsvoorschriften

Lees en volg alle instructies in deze handleiding en op de warmtepomp. Het niet in acht nemen van deze instructies kan leiden tot ernstige of dodelijke verwondingen, of de warmtepomp beschadigen.

- * Installatie van de warmtepomp dient te geschieden conform de ter plaatse geldende voorschriften, en de voorschriften in deze handleiding.
- * Dit is geen SPEELGOED. Laat kinderen niet alleen en zonder toezicht in de buurt van de warmtepomp.
- * Kinderen mogen nooit de warmtepomp bedienen.
- * Deze warmtepomp mag niet gebruikt worden door personen met beperkte fysieke, sensorische of geestelijke vaardigheden, of met gebrek aan ervaring en kennis, mits zij instructies hebben gekregen aangaande het veilig gebruik van de warmtepomp, en onder toezicht staan van een persoon die verantwoordelijk is voor hun veiligheid.
- * Het niet navolgen van de veiligheidsvoorschriften kan elektrische schokken, waterlekkage, brand, beschadiging van de warmtepomp of andere producten, zwaar persoonlijk letsel of de dood tot gevolg hebben.
- * Voor de installatie, en vervolgens nogmaals voor het eerste gebruik, dient het gehele product geïnspecteerd te worden, alvorens de warmtepomp op te starten.
- * De warmtepomp dient uitsluitend te worden geïnstalleerd door gekwalificeerde personen.
- * De warmtepomp moet voorzien zijn van een correcte elektrische aansluiting en aarding en zijn afgezekerd met een juiste zekering. Neem bij twijfel contact op met een gekwalificeerde elektricien.
- * Gebruik de warmtepomp NIET wanneer deze beschadigd is. Wanneer u merkt dat de warmtepomp niet normaal functioneert of een vreemde lucht afgeeft, dient u deze gelijk uit te schakelen. Neem vervolgens contact op met een gekwalificeerde technicus.
- * De warmtepomp dient alleen te worden verplaatst door een gekwalificeerde technicus.
- * Probeer NIET zelf de warmtepomp te repareren, hierdoor vervalt de garantie.
- * Probeer NIET zelf de warmtepomp te demonteren, hierdoor vervalt de garantie.
- * Schakel altijd de stroom naar de warmtepomp uit alvorens onderhoud aan de warmtepomp of het watersysteem uit te voeren, of deze schoon te maken.
- * Gebruik geen ontvlambare schoonmaakmiddelen om de warmtepomp schoon te maken.
- * Plaats of gebruik de warmtepomp niet in de nabijheid van giftige stoffen, ontvlambare of brandbare vloeistoffen zoals benzine, of explosieve of ontvlambare dampen.
- * Steek geen lichaamsdelen, (loszittende) kleding of andere voorwerpen in de openingen van de warmtepomp.
- * Plaats de warmtepomp op een stabiele ondergrond, zodat deze niet scheef kan gaan staan of omvallen.

Bovenstaande veiligheidsinstructies vormen geen volledige lijst van alle mogelijke risico's en verwondingen. Eigenaars en gebruikers van de warmtepomp dienen dit apparaat met voorzichtigheid en gezond verstand te gebruiken.

Let op: Deze handleiding kan zonder voorafgaande kennisgeving aangepast worden indien het toestel op enige manier gewijzigd wordt.

2. Specificaties

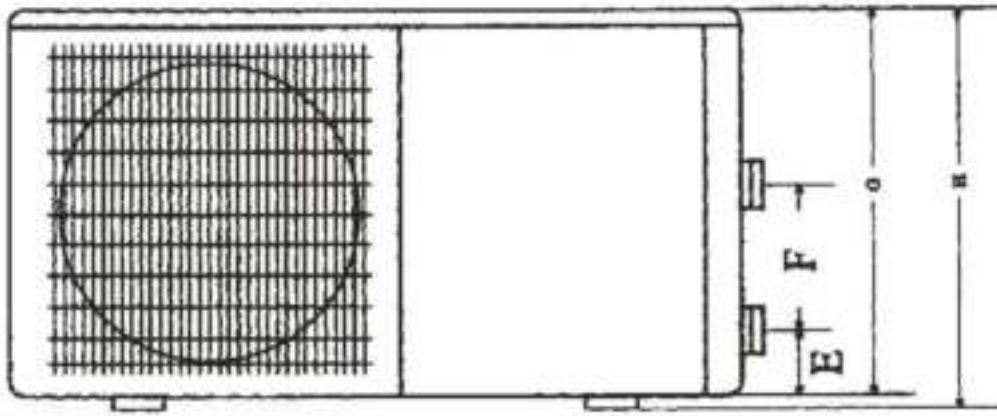
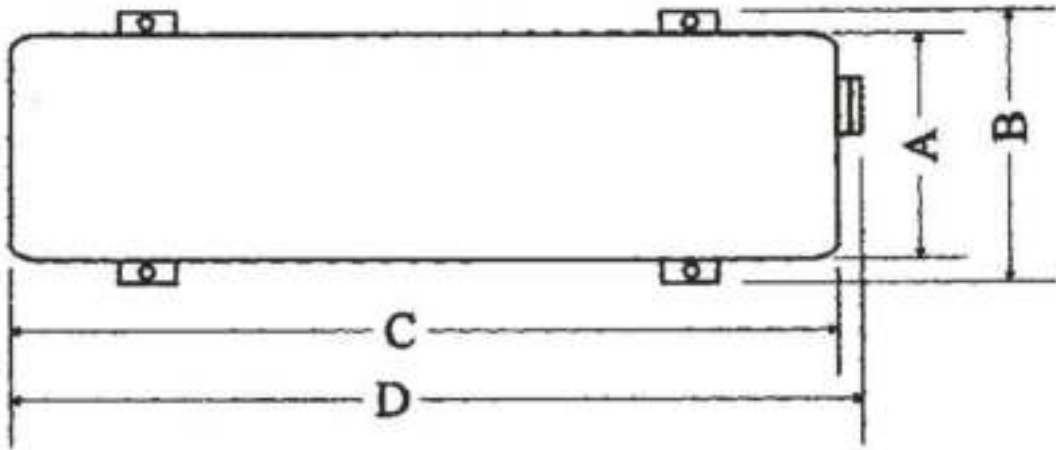
2.1 Technische gegevens van de zwembad warmtepomp

MODEL		ECO+3	ECO+5	ECO+8	ECO+10	ECO+12
Verwarmingscapaciteit in A27/W27°C	W	3700	5500	6200	8900	11500
Verwarmingscapaciteit in A15/W26°C	W	3000	4000	4500	6100	8200
Verwarmingscapaciteit	W	3000	4500	5300	7800	9500
Vermogen	W	729	1050	1250	1650	2230
Stroomsterkte verwarming	A	3.3	5	5.7	7.5	10.6
Voltage		220V/1Ph/50Hz				
Bediening		Mechanische bediening				
Condensator		PVC met titanium				
Hoeveelheid compressors		1	1	1	1	1
Compressor type		Schroefcompressor				
Geluid	dB(A)	51	54	55	55	57
Wateraansluiting	mm	50	50	50	50	50
Volume waterstroom	m³/h	3-5	4-6	4-6	4-7	4-7
Waterdrukverlies	kpa	10	10	12	12	15
Afmeting (l)	mm	770	936	936	936	1010
(b)	mm	300	360	360	360	370
(h)	mm	490	550	550	550	615
Verpakkingsmaat (l)	mm	820	1090	1090	1090	1170
(b)	mm	315	390	390	390	415
(h)	mm	525	580	580	580	645
Net Weight / Gross Weight	kg	29/32	36/39	39/42	54/57	63/67

Metingsvoorwaarden:

Luchttemperatuur 24° C, watertemperatuur 19° C, toevoerwatertemperatuur 27° C.

2.2 Afmetingen van de zwembad warmtepomp



	A	B	C	D	E	F	G	H
ECO+3	213	295	720	760	80	200	455	490
ECO+5	280	365	906	940	80	200	521	550
ECO+10	280	365	906	940	80	200	521	550
ECO+12	301	375	975	1015	83	270	585	615

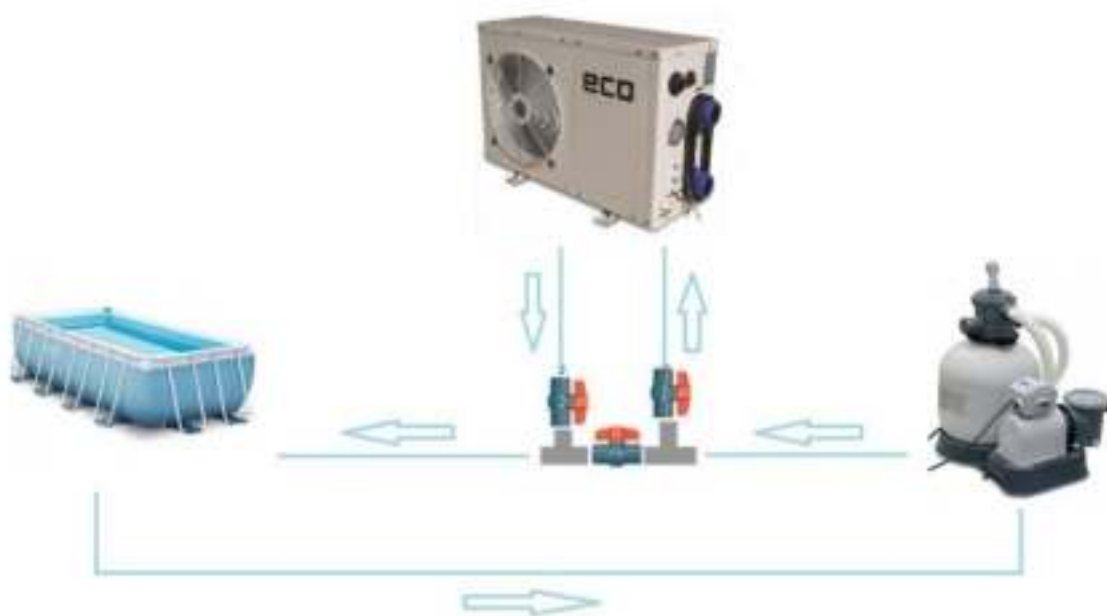
3. Installatie van de warmtepomp

De fabriek levert alleen de warmtepomp; andere noodzakelijke onderdelen voor het watersysteem, waaronder een mogelijke bypass, dienen door de installateur of gebruiker te worden aangeschaft.

Let op! Voer onderstaande stappen uit bij het installeren van de warmtepomp:

1. Chemicaliën dienen stroomafwaarts van de warmtepomp aan het zwembadwater te worden toegevoegd.
2. Installeer een bypass wanneer het debiet van de zwembadpomp meer dan 20% boven het toegestane debiet van de warmtewisselaar van de warmtepomp uitkomt.
3. Installeer de warmtepomp op een stevige ondergrond en gebruik de dempingsrubbers tegen trillingen en lawaai.
4. Houdt de warmtepomp altijd rechtop. Wanneer de warmtepomp gekanteld is, of op de zijkant heeft gelegen, wacht dan 24 uur alvorens hem aan te zetten.

3.1 Locatie van de warmtepomp

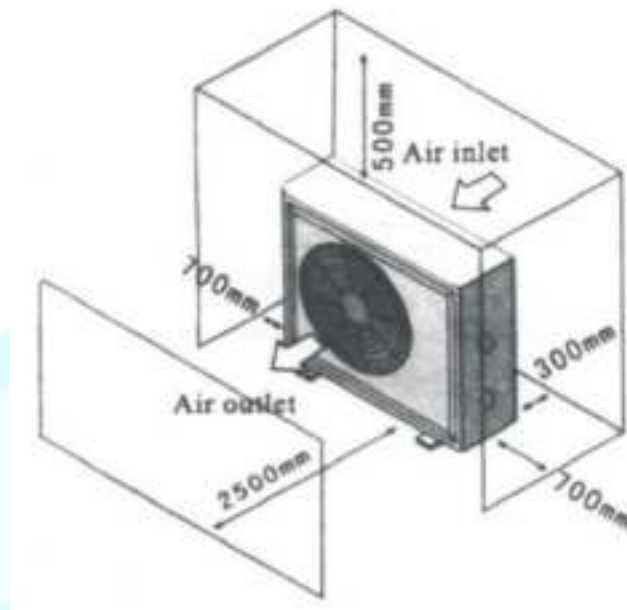


De warmtepomp kan praktisch overal buiten geïnstalleerd worden. Wilt u de warmtepomp binnen plaatsen, zorg dan voor genoeg vrije ruimte en voldoende ventilatie rondom de warmtepomp.

Zet de warmtepomp NIET in een afgesloten ruimte met weinig ventilatie waar de door de warmtepomp uitgestoten lucht blijft circuleren.

Zet de warmtepomp NIET naast struiken die de luchttoevoer kunnen blokkeren. Dergelijke locaties verhinderen een continue aanvoer van frisse lucht. Dit vermindert de efficiëntie en kan leiden tot een slechtere warmteafgifte. Installeer de warmtepomp op een plek met veel toegang tot warme lucht tijdens het zwemseizoen.

Onderstaande afbeelding geeft de minimaal vereiste vrije ruimte aan elke zijde van de warmtepomp weer.



3.2 Afstand tot het zwembad

Installeer de warmtepomp zo dicht mogelijk bij het zwembad om warmteverlies via de leidingen te beperken.

3.3 Aansluiting van de bypass

Met een juiste afstelling van de bypass zal uw warmtepomp optimaal werken. De bypass moet worden aangesloten zoals hieronder is beschreven:

KRAAN 1 – Licht gesloten

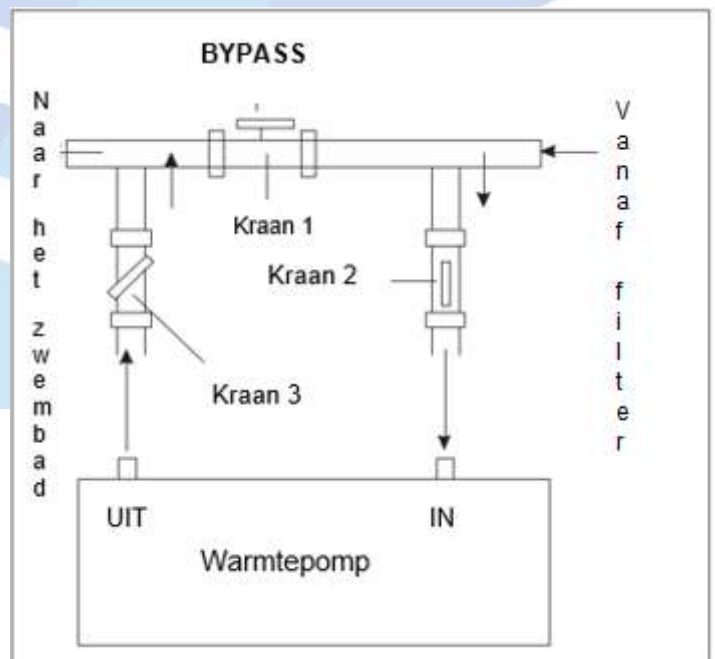
(waterdruk neemt toe van 10 naar 20 bar)

KRAAN 2 – Geheel open

KRAAN 3 – Half open

Instelling van de kraan van de bypass:

- Zet alle drie de kranen geheel open
- Sluit kraan 1 een klein beetje
- Sluit kraan 3 tot ongeveer halverwege om de druk van het koudemiddel aan te passen.



3.4 Elektrische bedrading

Let op: Controleer de lokale stroomvoorziening en de nodige ingangsspanning van de warmtepomp. Het is aan te raden de meegeleverde aparte beveiligingsautomaat voor de warmtepomp te gebruiken, in combinatie met de juiste bedrading (zie bedradingsschema). Er mag alleen stroom naar de warmtepomp lopen wanneer de filterpomp aanstaat. Alle ECO warmtepompen vereisen een enkelfase aansluiting.

Aarding: De meegeleverde beveiligingsautomaat beschermt u tegen een mogelijke elektrische schok die veroorzaakt kan worden door eventuele kortsluiting in de warmtepomp.

MODEL	VOLTAGE (VOLT)	ZEKERING (A)	STROOMSTERKTE (A)	DIAMETER KABEL (mm ²) kabel lengte max. 15m
ECO+3	220-240	16	3,3	1,5
ECO+5	220-240	16	4,8	1,5
ECO+10	220-240	20	7,5	2,5
ECO+12	220-240	20	10	2,5

* De waarden in bovenstaande tabel zijn slechts richtlijnen. Controleer uw lokale regelgeving voor juiste waarden

3.5 Eerste gebruik

Opstart procedure

Nadat de installatie is voltooid dient u de volgende stappen uit te voeren.

1. Open kraan 1 van de bypass compleet. Zet uw filterpomp aan en controleer op lekkage en of er water van en naar het zwembad stroomt.
2. Zet de stroomtoevoer naar de warmtepomp aan, en zet de warmtepomp AAN met de knop. Sluit kraan 1 een klein beetje totdat de warmtepomp opstart.
3. Nadat de warmtepomp een aantal minuten aanstaat, controleer of de uitgestoten lucht koeler is.
4. Laat de warmtepomp en filterpomp 24 uur per dag draaien totdat de gewenste watertemperatuur is bereikt. Wanneer de ingestelde temperatuur is bereikt schakelt de warmtepomp zichzelf uit. De warmtepomp zal uit zichzelf opnieuw opstarten (zolang uw filterpomp ook aanstaat) wanneer de watertemperatuur zakt tot meer dan 1°C onder de ingestelde temperatuur.

Afhankelijk van de begintemperatuur van het zwembadwater en de omgevingstemperatuur kan het enkele dagen duren voor het water de gewenste temperatuur heeft bereikt. Het zwembad afdekken of het gebruik van bodemisolatie kan deze tijd ingrijpend verminderen.

Tijdvertraging

De warmtepomp is uitgerust met een ingebouwde 3-minuten startvertraging om de elektrische componenten te beschermen. De tijdsvertraging doet de warmtepomp ongeveer 3 minuten na elke stroomonderbreking opnieuw opstarten. Zelfs een kleine onderbreking in de stroomtoevoer zal deze startvertraging doen activeren en zo voorkomen dat de warmtepomp direct opstart.

3.6 Condensatie

Omdat de warmtepomp de lucht ongeveer 8°C tot 12°C koelt kan er condens(water) ontstaan op de lamellen van de verdamer. De hoeveelheid condens kan bij een hoge luchtvochtigheid wel oplopen tot meerdere liters per uur. Deze condens wordt soms ten onrechte aangezien voor een waterlekage.

4. Richtlijnen

4.1 Waterchemie

Er moet veel aandacht worden besteed aan de chemische balans van het zwembadwater. De waarden moeten te allen tijden tussen de onderstaande limieten blijven :

pH	7,0 – 7,4
Vrij chloor (mg/l)	0,5 – 1,2
Totale Alkaliniteit (mg/l)	80 – 120
Zout (g/l)	max. 3

Belangrijk: Met het niet in acht nemen van deze limieten zal de garantie komen te vervallen.

Let op: Het overschrijden van een of meerdere van deze limieten kan de warmtepomp onherstelbaar beschadigen. Installeer waterbehandelingsapparatuur altijd voorbij de wateruitlaat van de warmtepomp, zeker als de chemicaliën automatisch aan het water worden afgegeven. Er moet altijd een terugslagklep worden geïnstalleerd tussen de warmtepomp en de waterbehandelingsapparatuur om te voorkomen dat chemisch verzadigd water terugstroomt in de warmtepomp, waar het onderdelen kan beschadigen.

4.2 Winterklaar maken

Belangrijk: Maakt u de warmtepomp niet winterklaar dan kan de pomp beschadigen en zal de garantie vervallen.

In gebieden waar temperaturen onder het vriespunt voorkomen moet u de pomp, filter en warmtepomp beschermen tegen de elementen. Voer de volgende stappen uit al het water volledig uit uw warmtepomp te laten lopen:

1. Schakel de stroomtoevoer naar de warmtepomp toe uit.
2. Sluit de watertoevoer naar de warmtepomp af: sluit de kranen 2 en 3 van de bypass.
3. Maak de watertoevoer- en wateruitlaatkoppelingen los van de warmtepomp en laat het water uit het apparaat lopen.
4. Maak de watertoevoer- en wateruitlaatkoppeling weer lichtjes vast om te voorkomen dat er vuil in de aansluitingen komt.

4.3 Voorjaarsopstart

Heeft u de warmtepomp winterklaar gemaakt, volg dan de volgende stappen om het systeem in de lente weer op te starten:

1. Inspecteer het systeem op vuil of structurele problemen.
2. Sluit de koppelstukken voor de watertoevoer en wateruitlaat stevig aan.
3. Zet de filterpomp aan om het water naar de warmtepomp te laten stromen. Stel de bypass zodanig in dat het water door de warmtepomp gaat stromen.
4. Zet de stroomtoevoer naar de warmtepomp aan met de hoofdschakelaar.

4.4 Inspectie

De warmtepompen zijn ontworpen en gebouwd voor een lange levensduur, mits deze naar behoren en onder normale omstandigheden worden geïnstalleerd en gebruikt. Periodieke inspectie is van belang om uw warmtepomp veilig en efficiënt te laten werken. Onderstaand vindt u de richtlijnen voor uw inspectie:

1. Zorg ervoor dat de voorkant van de warmtepomp toegankelijk is voor toekomstig onderhoud.
2. Houd het omliggende gebied van de warmtepomp vrij van vuil.
3. Zorg dat alle planten en struiken rondom de warmtepomp goed gesnoeid zijn.
4. Zorg ervoor dat gazonsproeiers niet op de warmtepomp kunnen sproeien, dit voorkomt corrosie en schade.
5. Als de warmtepomp onder een scherp hellend afdak staat of een dak zonder een goot, monteer dan een goot of afvoer om te voorkomen dat teveel water op de warmtepomp stroomt.
6. Gebruik de warmtepomp niet wanneer er onderdelen onder water zijn geweest. Bel onmiddellijk een gekwalificeerde, professionele technicus om de warmtepomp te laten inspecteren en elk onderdeel van het bedieningssysteem dat onder water is geweest te laten vervangen.

Terwijl hij in werking is produceert de warmtepomp condens (water). De warmtepomp is zo ontworpen dat de condens onderaan door de afvoer kan weglopen. Een hogere luchtvochtigheid buiten leidt tot een toename van de condens. Controleer regelmatig of de condens nog naar behoren wordt afgevoerd:

1. Controleer de onderste afvoer op vuil dat de afvoer kan doen verstopen
2. Houd het gebied rond de luchttoevoer en luchtuitlaat vrij van vuil zodat de luchtstroom door de warmtepomp niet wordt beperkt. De koelere afvoerlucht mag niet ophopen en opnieuw de luchtingangen aan de zijkanten worden ingezogen.

Tijdens normaal gebruik produceert de warmtepomp 10 tot 20 liter condens per uur. Wanneer er meer condens tijdens het gebruik van de warmtepomp wordt afgevoerd, of wanneer water uit de onderkant van de waterpomp blijft lopen wanneer deze uitstaat, kan er een lek in de interne leidingen zijn ontstaan. Neem contact op met een gekwalificeerde warmtepomp technicus om het probleem te laten onderzoeken.

Let op: Een snelle manier om na te gaan of het afvoerwater condens is, is de warmtepomp uit te schakelen en de zwembadpomp aan te laten staan. Loopt er nu geen water meer via de bodemplaat weg, dan was het condens. Nog sneller is om het water op chloor te testen. Zit er geen chloor in, dan is het condens.

5. Controle en onderhoud

5.1 Onderhoud

- Controleer regelmatig de watertoevoer en wateruitlaat. Er moet altijd water door het systeem lopen en lucht in het systeem moet voorkomen worden, dit kan de prestaties en de betrouwbaarheid van de warmtepomp beïnvloeden. Maak de waterfilter regelmatig schoon om te voorkomen dat de warmtepomp beschadigt door een vuile of verstopte filter.
- Zorg dat het gebied rond de warmtepomp droog, schoon en geventileerd is. Maak de warmtewisselaar regelmatig schoon zodat deze goed blijft werken en om energie te besparen.
- Alleen een gekwalificeerde technicus mag de druk van het koelingssysteem controleren en aanpassen.
- Controleer de stroomtoevoer en de snoeren regelmatig. Mocht de warmtepomp abnormaal gaan functioneren, schakel deze onmiddellijk uit en neem contact op met een gekwalificeerde technicus.
- Laat in de winter al het water uit de warmtepomp en het watersysteem lopen om bevriezing van de pomp en het systeem tegen te gaan.
- Laat al het water via de onderkant uit de warmtepomp lopen als deze lange tijd niet gebruikt gaat worden. U dient de apparaten grondig te controleren en het systeem volledig met water te vullen, voordat u de warmtepomp weer inschakelt.

5.2 Probleemoplossing

Onjuiste installatie kan resulteren in een elektrische schok, wat kan leiden tot ernstige of dodelijke verwondingen bij gebruikers van het zwembad, installateurs en anderen, of materiële schade. Voer **NOOIT** zelf interne aanpassingen in de warmtepomp uit.

WAARSCHUWING:

1. Houdt handen en haar uit de buurt van de ventilatorbladen om letsel te voorkomen.
2. Wanneer u niet bekend bent met uw zwembadfiltersysteem en warmtepomp:
 - a. Voer **GEEN** onderhoud of aanpassingen uit zonder eerst de leverancier of een zwembadtechnicus te raadplegen.
 - b. Lees de volledige "Installatie & Gebruikershandleiding" door voordat u probeert de warmtepomp te gebruiken, onderhouden of aanpassen.

Let op: Schakel de stroomtoevoer naar de warmtepomp uit voor onderhoud of reparatie.

PROBLEEM	OORZAAK	OPLOSSING
Warmtepomp werkt niet	1. Geen stroom	1. Schakel de stroom in
	2. Warmte pomp is niet aan	2. Zet de warmtepomp aan
	3. Waterpomp staat niet aan	3. Zet de waterpomp aan
	4. Verkeerde temperatuur instelling	4. Stel de juiste temperatuur in.
	5. Bypass verkeerd aangesloten	5. Stel de bypass in zoals in de handleiding
	6. Geen gasdruk	6. Contacteer een gekwalificeerde technicus
	7. Tijdvertraging	7. Wacht 3 min tot de warmtepomp op start
	8. Luchttemperatuur onder de 10°C	8. Wacht tot de temperatuur is gestegen
Niet genoeg verwarming	1. Obstakels blokkeren luchtstroom	1. Verbeter de toegang van lucht
	2. Ijs op de verdamper	2. Zet warmtepomp uit (lucht is te koud)
	3. Bypass verkeerd aangesloten	3. Pas de bypass aan
	4. Te veel watertoevoer	4. Pas de bypass aan

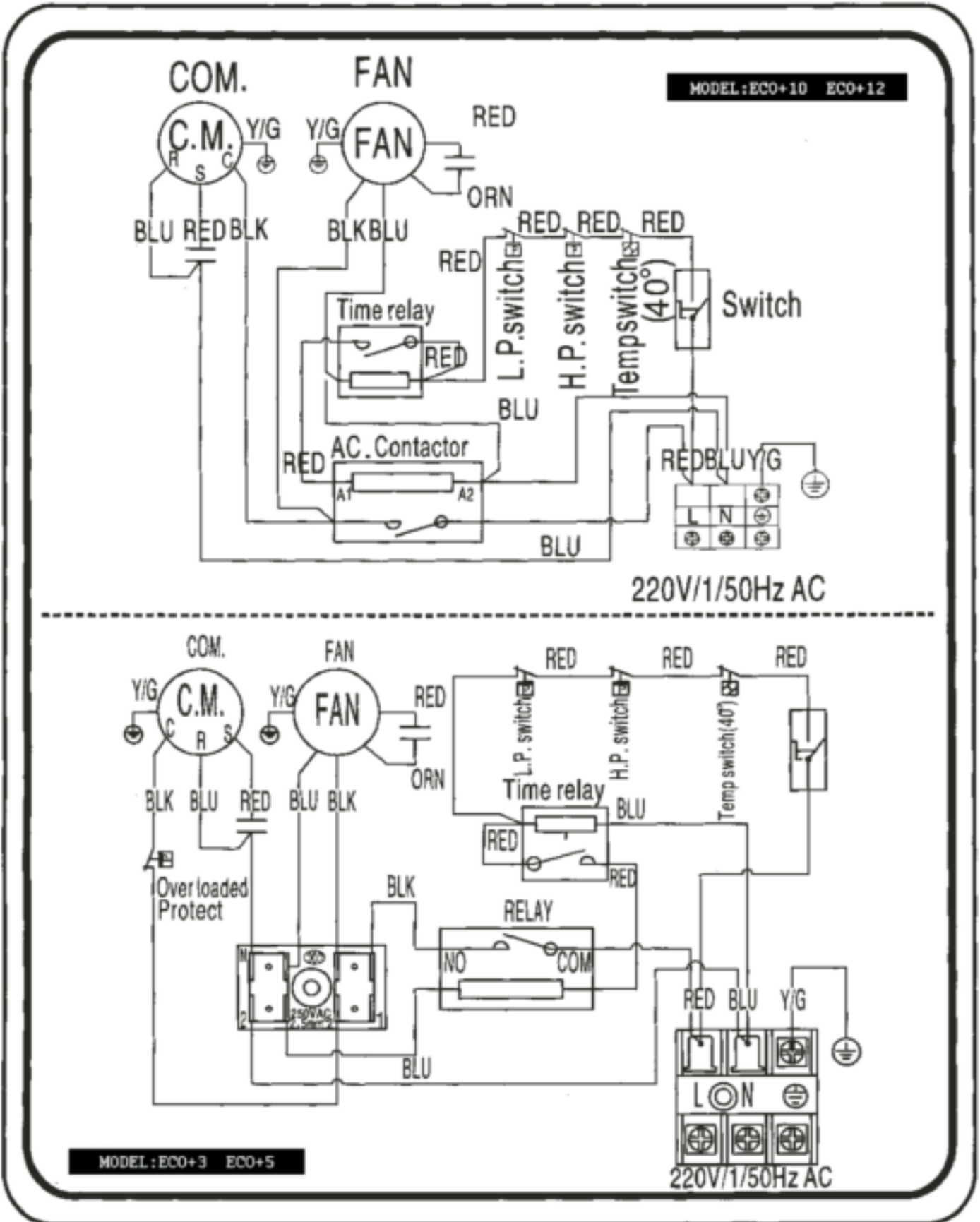
5.3 Microcontroller

De ECO+ warmtepompen zijn uitgerust met een microcontroller waarop u foutcodes kunt aflezen. Deze foutcodes worden gevormd door ledlampjes op de printplaat. Om toegang te krijgen tot de printplaat schroeft u de 4 schroefjes van het serviceluis (met "ECO+" erop) los. Bovenin de warmtepomp vindt u de printplaat met daarop de ledlampjes. Lees af welke ledlampjes branden en vergelijk dit met onderstaande foutcodetabel.

ERROR CODE	LED 1	LED 2	LED 3	LED 4	TROUBLE SHOOTING
000 Standby modus	●	●	●	☆	Standaard modus
001 Running modus	●	●	☆	●	Standaard modus
002 Omgevings temp. sensorfout	●	☆	●	●	Controleer aansluiting van de omgevingstemperatuur sensor / vervang de sensor.
003 Hoge drukbescherming	☆	●	●	●	Druk in koelsysteem is hoog, controleer drukmeter, verhoog watertoevoer
004 Lage drukbescherming	●	●	☆	☆	Druk in koelsysteem is laag, controleer drukmeter, voeg meer koudemiddel toe
005 Waterstroom bescherming	●	☆	●	☆	Controleer de aansluiting van de watertoevoer en wateruitlaat, verhoog de watertoevoer.
006 Stopt in te lage luchttemp. (8°C)	☆	●	●	☆	Luchttemp. is lager dan 8°C. Stop de warmtepomp totdat de temperatuur boven de 8°C is.

6. Gedetailleerde specificaties

6.1 Elektrisch bedradingsdiagram van de warmtepomp



7. Garantie

Hartelijk dank voor de aanschaf van onze warmtepomp. Wij garanderen dat alle onderdelen vrij zijn van fabricagefouten in materiaal en afwerking voor een periode van 2 jaar vanaf de aankoopdatum.

Deze garantie beperkt zich tot de eerste koper, is niet overdraagbaar en is niet van toepassing op producten die verplaatst zijn van hun oorspronkelijke installatielocatie. De aansprakelijkheid van Comfortpool zal nooit de reparatie of vervanging van defecte onderdelen te boven gaan, en zal geen kosten omvatten voor arbeid om een defect onderdeel te verwijderen en opnieuw te installeren, noch het transport van en naar de fabriek of leverancier, noch enig ander materiaal dat nodig is voor het uitvoeren van een eventuele reparatie. Deze garantie geldt niet voor defecten of storingen als gevolg van onderstaande:

1. Het incorrect installeren, gebruiken of onderhouden van het product, zoals beschreven staat in de "Installatie & Gebruikershandleiding" die geleverd is bij dit product.
2. Het vakmanschap van elke installateur van dit product.
3. Het niet behouden van een juiste chemische balans in uw zwembad (pH-waarde tussen 7,0 and 7.4. Totale Alkaliniteit (TAC) tussen 80 en 120 ppm. Vrij Chloor tussen 0,5 en 1,2 mg/l. Totale droogrest (TDS) minder dan 1200 ppm. Zout maximum 3 g/l.
4. Misbruik, aanpassingen, ongevallen, brand, overstroming, blikseminslag, knaagdieren, ongedierte, insecten, nalatigheid of overmacht.
5. Storm, bevriezing of andere omstandigheden die onvoldoende watercirculatie veroorzaken.
6. Het gebruik bij een waterstroom die buiten de minimum of maximum specificaties valt.
7. Het gebruik van niet-geautoriseerde onderdelen of accessoires bij dit product.
8. Chemische verontreiniging van verbrandingslucht of oneigenlijk gebruik van ontsmettende chemicaliën, zoals het toevoegen van ontsmettende chemicaliën stroomopwaarts van de warmtepomp en de filteraansluiting, of door de skimmer.
9. Oververhitting, verkeerde bedrading, onjuiste stroomtoevoer, gevolgschade veroorzaakt door het falen van de O-ringen, DE-roosters of cartridge onderdelen, of schade veroorzaakt door het gebruik van de pomp met onvoldoende water.

Beperkte aansprakelijkheid

Dit is de enige garantie die uitgegeven is door Comfortpool. Comfortpool verleent geen andere garantie of voorwaarden, hetzij schriftelijk of mondeling, en wijst uitdrukkelijk alle garanties en voorwaarden af die niet in deze garantieverklaring zijn opgenomen. Wij sluiten alle aansprakelijkheid uit voor indirecte, incidentele, gevolg- of punitieve schade voor het schenden van een expliciete of impliciete garantie. Deze garantie geeft u specifieke wettelijke rechten, welke kunnen verschillen per land.

Voor meer informatie of garantieaanvragen, neem contact op met de leverancier.