



Robert Bosch Power Tools GmbH
70538 Stuttgart
GERMANY

www.bosch-pt.com

1 609 92A 5C7 (2019.07) / 80



1 609 92A 5C7

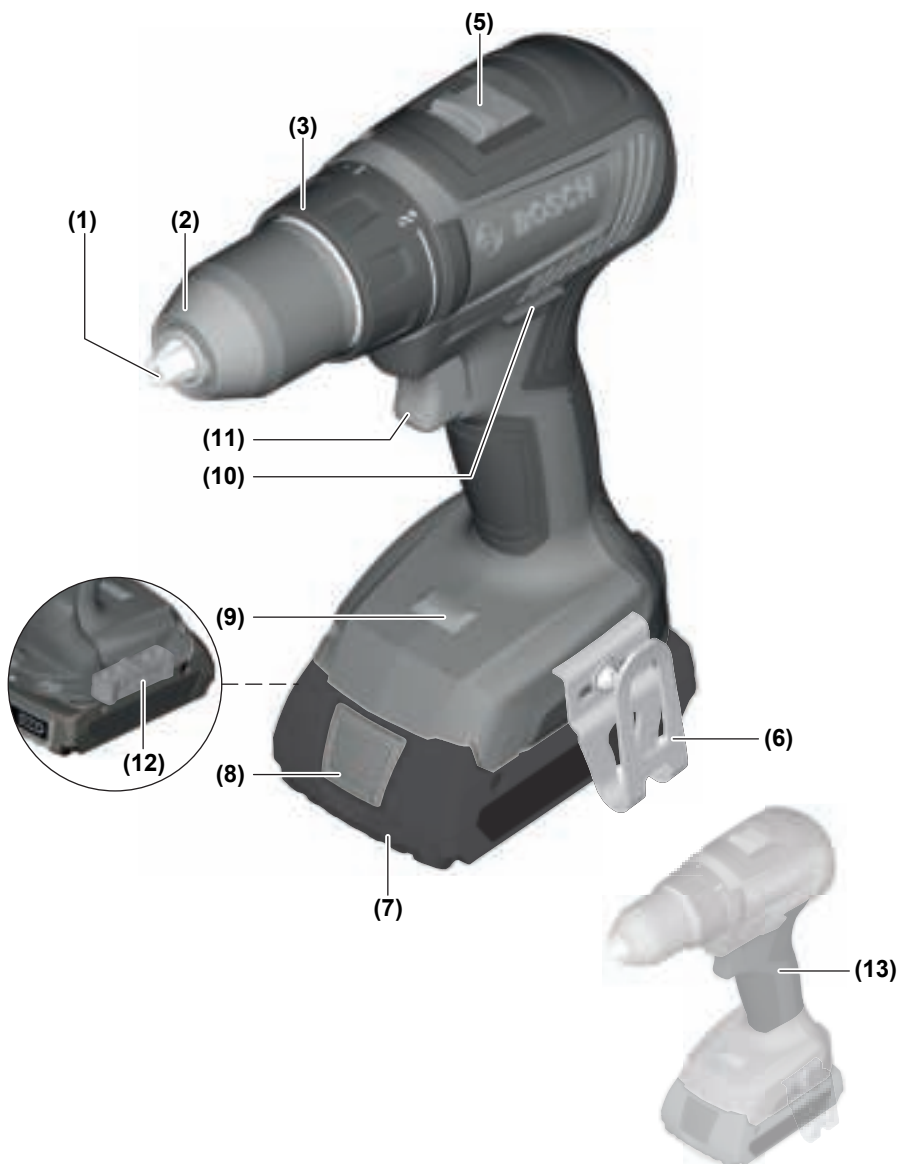
GSR | GSB Professional

GSR | GSB 18V-50

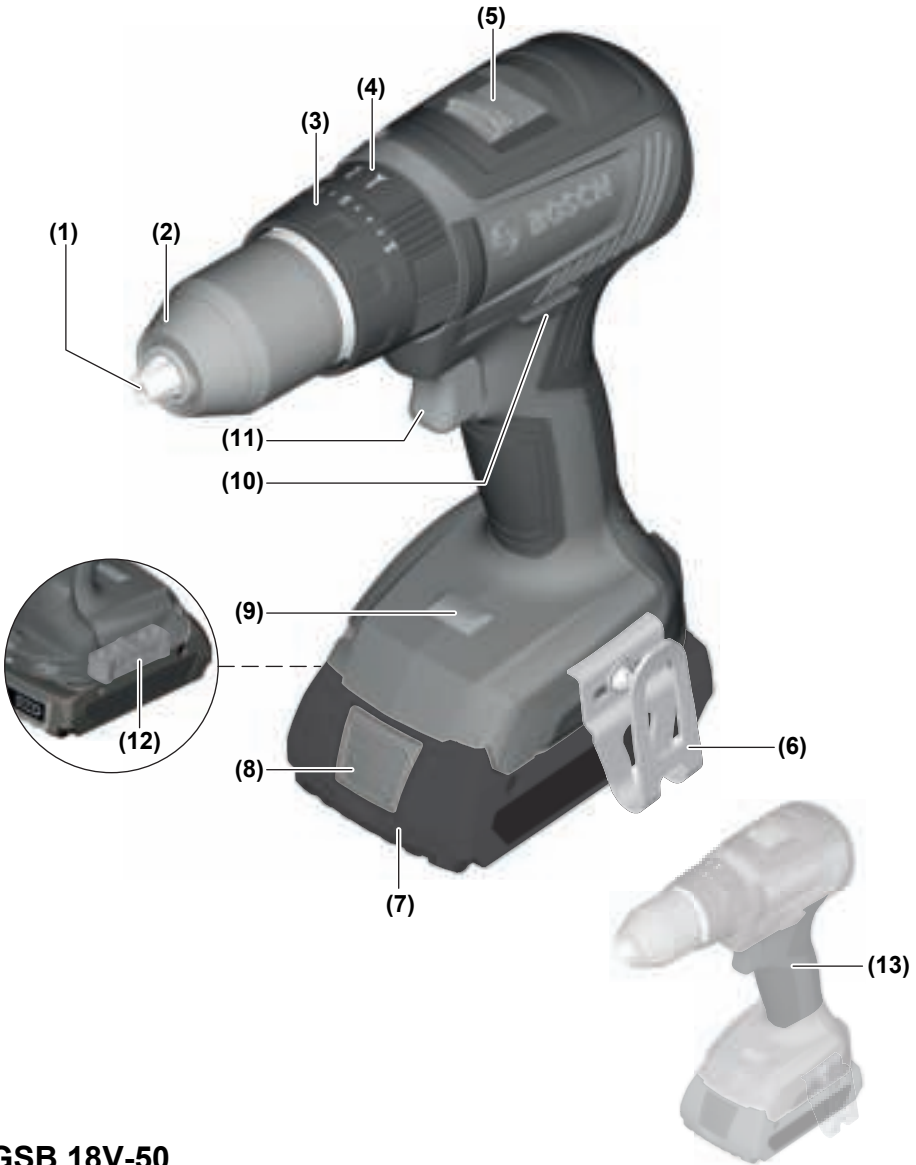


- en Original instructions
- fr Notice originale
- pt Manual original
- zh 正本使用说明书
- zh 原始使用說明書
- th หนังสือคู่มือการใช้งาน
ต้นแบบ
- id Petunjuk-Petunjuk untuk Penggun-
aan Orisinal
- vi Bản gốc hướng dẫn sử dụng
- ar دليل التشغيل الأصلي
- fa دفترچه راهنمای اصلی

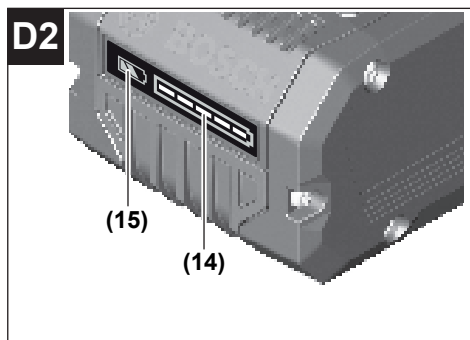
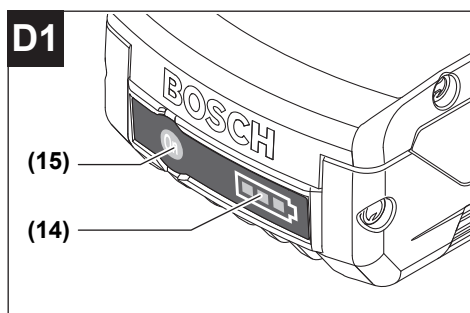
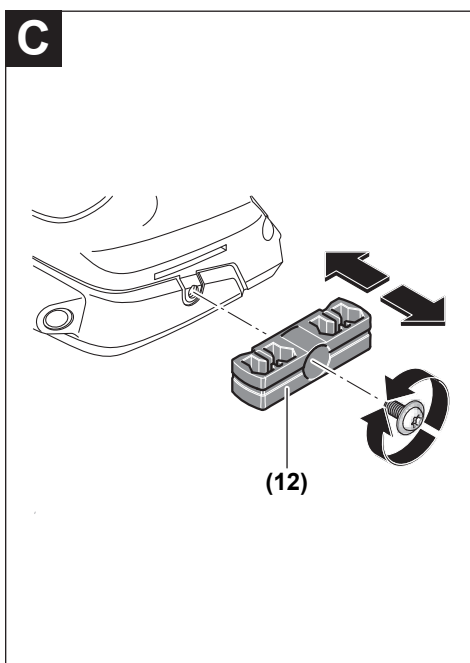
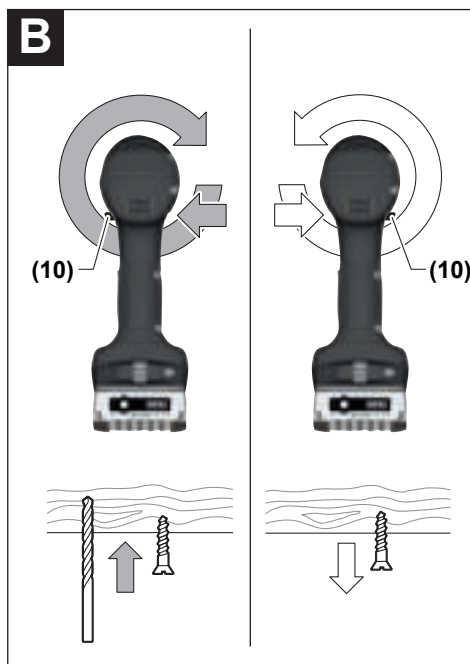
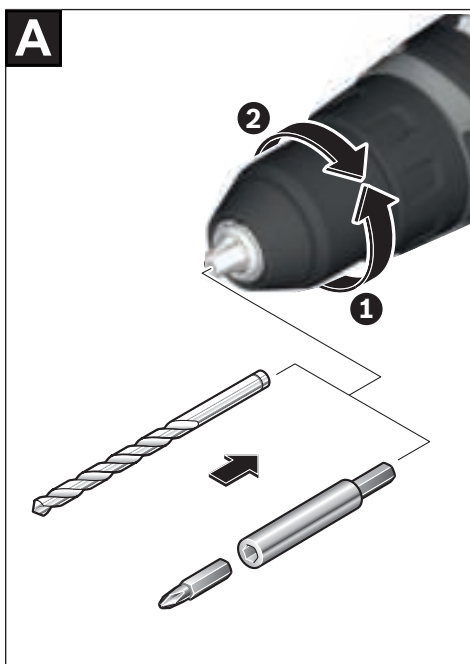
English	Page	6
Français	Page	12
Português	Página	19
中文	頁	25
繁體中文	頁	32
ไทย	หน้า	38
Bahasa Indonesia	Halaman	45
Tiếng Việt	Trang	52
عربي	الصفحة	59
فارسی	صفحه	67
CE		I



GSR 18V-50



GSB 18V-50



English

Safety instructions

General Power Tool Safety Warnings

⚠ WARNING Read all safety warnings, instructions, illustrations and specifications provided with this power tool. Failure to follow all instructions listed below may result in electric shock, fire and/or serious injury.

Save all warnings and instructions for future reference.

The term "power tool" in the warnings refers to your mains-operated (corded) power tool or battery-operated (cordless) power tool.

Work area safety

- ▶ **Keep work area clean and well lit.** Cluttered or dark areas invite accidents.
- ▶ **Do not operate power tools in explosive atmospheres, such as in the presence of flammable liquids, gases or dust.** Power tools create sparks which may ignite the dust or fumes.
- ▶ **Keep children and bystanders away while operating a power tool.** Distractions can cause you to lose control.

Electrical safety

- ▶ **Power tool plugs must match the outlet. Never modify the plug in any way. Do not use any adapter plugs with earthed (grounded) power tools.** Unmodified plugs and matching outlets will reduce risk of electric shock.
- ▶ **Avoid body contact with earthed or grounded surfaces, such as pipes, radiators, ranges and refrigerators.** There is an increased risk of electric shock if your body is earthed or grounded.
- ▶ **Do not expose power tools to rain or wet conditions.** Water entering a power tool will increase the risk of electric shock.
- ▶ **Do not abuse the cord. Never use the cord for carrying, pulling or unplugging the power tool. Keep cord away from heat, oil, sharp edges or moving parts.** Damaged or entangled cords increase the risk of electric shock.
- ▶ **When operating a power tool outdoors, use an extension cord suitable for outdoor use.** Use of a cord suitable for outdoor use reduces the risk of electric shock.
- ▶ **If operating a power tool in a damp location is unavoidable, use a residual current device (RCD) protected supply.** Use of an RCD reduces the risk of electric shock.

Personal safety

- ▶ **Stay alert, watch what you are doing and use common sense when operating a power tool. Do not use a power tool while you are tired or under the influence of drugs, alcohol or medication.** A moment of inatten-

tion while operating power tools may result in serious personal injury.

- ▶ **Use personal protective equipment. Always wear eye protection.** Protective equipment such as a dust mask, non-skid safety shoes, hard hat or hearing protection used for appropriate conditions will reduce personal injuries.
- ▶ **Prevent unintentional starting. Ensure the switch is in the off-position before connecting to power source and/or battery pack, picking up or carrying the tool.** Carrying power tools with your finger on the switch or energising power tools that have the switch on invites accidents.
- ▶ **Remove any adjusting key or wrench before turning the power tool on.** A wrench or a key left attached to a rotating part of the power tool may result in personal injury.
- ▶ **Do not overreach. Keep proper footing and balance at all times.** This enables better control of the power tool in unexpected situations.
- ▶ **Dress properly. Do not wear loose clothing or jewellery. Keep your hair and clothing away from moving parts.** Loose clothes, jewellery or long hair can be caught in moving parts.
- ▶ **If devices are provided for the connection of dust extraction and collection facilities, ensure these are connected and properly used.** Use of dust collection can reduce dust-related hazards.
- ▶ **Do not let familiarity gained from frequent use of tools allow you to become complacent and ignore tool safety principles.** A careless action can cause severe injury within a fraction of a second.

Power tool use and care

- ▶ **Do not force the power tool. Use the correct power tool for your application.** The correct power tool will do the job better and safer at the rate for which it was designed.
- ▶ **Do not use the power tool if the switch does not turn it on and off.** Any power tool that cannot be controlled with the switch is dangerous and must be repaired.
- ▶ **Disconnect the plug from the power source and/or remove the battery pack, if detachable, from the power tool before making any adjustments, changing accessories, or storing power tools.** Such preventive safety measures reduce the risk of starting the power tool accidentally.
- ▶ **Store idle power tools out of the reach of children and do not allow persons unfamiliar with the power tool or these instructions to operate the power tool.** Power tools are dangerous in the hands of untrained users.
- ▶ **Maintain power tools and accessories. Check for misalignment or binding of moving parts, breakage of parts and any other condition that may affect the power tool's operation. If damaged, have the power tool repaired before use.** Many accidents are caused by poorly maintained power tools.

- ▶ **Keep cutting tools sharp and clean.** Properly maintained cutting tools with sharp cutting edges are less likely to bind and are easier to control.
- ▶ **Use the power tool, accessories and tool bits etc. in accordance with these instructions, taking into account the working conditions and the work to be performed.** Use of the power tool for operations different from those intended could result in a hazardous situation.
- ▶ **Keep handles and grasping surfaces dry, clean and free from oil and grease.** Slippery handles and grasping surfaces do not allow for safe handling and control of the tool in unexpected situations.

Battery tool use and care

- ▶ **Recharge only with the charger specified by the manufacturer.** A charger that is suitable for one type of battery pack may create a risk of fire when used with another battery pack.
- ▶ **Use power tools only with specifically designated battery packs.** Use of any other battery packs may create a risk of injury and fire.
- ▶ **When battery pack is not in use, keep it away from other metal objects, like paper clips, coins, keys, nails, screws or other small metal objects, that can make a connection from one terminal to another.** Shorting the battery terminals together may cause burns or a fire.
- ▶ **Under abusive conditions, liquid may be ejected from the battery; avoid contact. If contact accidentally occurs, flush with water. If liquid contacts eyes, additionally seek medical help.** Liquid ejected from the battery may cause irritation or burns.
- ▶ **Do not use a battery pack or tool that is damaged or modified.** Damaged or modified batteries may exhibit unpredictable behaviour resulting in fire, explosion or risk of injury.
- ▶ **Do not expose a battery pack or tool to fire or excessive temperature.** Exposure to fire or temperature above 130°C may cause explosion.
- ▶ **Follow all charging instructions and do not charge the battery pack or tool outside the temperature range specified in the instructions.** Charging improperly or at temperatures outside the specified range may damage the battery and increase the risk of fire.

Service

- ▶ **Have your power tool serviced by a qualified repair person using only identical replacement parts.** This will ensure that the safety of the power tool is maintained.
- ▶ **Never service damaged battery packs.** Service of battery packs should only be performed by the manufacturer or authorized service providers.

Safety information for drills and screwdrivers

Safety instructions for all operations

GSB

- ▶ **Wear ear protectors when impact drilling.** Exposure to noise can cause hearing loss.

GSB / GSR

- ▶ **Hold the power tool by insulated gripping surfaces, when performing an operation where the cutting accessory or fasteners may contact hidden wiring.** Cutting accessory or fasteners contacting a "live" wire may make exposed metal parts of the power tool "live" and could give the operator an electric shock.

Safety instructions when using long drill bits

- ▶ **Never operate at higher speed than the maximum speed rating of the drill bit.** At higher speeds, the bit is likely to bend if allowed to rotate freely without contacting the workpiece, resulting in personal injury.
- ▶ **Always start drilling at low speed and with the bit tip in contact with the workpiece.** At higher speeds, the bit is likely to bend if allowed to rotate freely without contacting the workpiece, resulting in personal injury.
- ▶ **Apply pressure only in direct line with the bit and do not apply excessive pressure.** Bits can bend causing breakage or loss of control, resulting in personal injury.

Additional safety warnings

- ▶ **Hold the power tool securely.** When tightening and loosening screws be prepared for temporarily high torque reactions.
- ▶ **Secure the workpiece.** A workpiece clamped with clamping devices or in a vice is held more secure than by hand.
- ▶ **Use suitable detectors to determine if there are hidden supply lines or contact the local utility company for assistance.** Contact with electric cables can cause fire and electric shock. Damaging gas lines can lead to explosion. Breaking water pipes causes property damage.
- ▶ **Always wait until the power tool has come to a complete stop before placing it down.** The application tool can jam and cause you to lose control of the power tool.
- ▶ **In case of damage and improper use of the battery, vapours may be emitted. The battery can set alight or explode.** Ensure the area is well ventilated and seek medical attention should you experience any adverse effects. The vapours may irritate the respiratory system.
- ▶ **Do not open the battery.** There is a risk of short-circuiting.
- ▶ **The battery can be damaged by pointed objects such as nails or screwdrivers or by force applied externally.** An internal short circuit may occur, causing the battery to burn, smoke, explode or overheat.
- ▶ **Only use the battery with products from the manufacturer.** This is the only way in which you can protect the battery against dangerous overload.



Protect the battery against heat, e.g. against continuous intense sunlight, fire, dirt, water and moisture. There is a risk of explosion and short-circuiting.

- **Switch the power tool off immediately if the application tool becomes blocked. Be prepared for high torque reactions which cause kickback.** The application tool becomes blocked when it becomes jammed in the workpiece or when the power tool becomes overloaded.

Product Description and Specifications



Read all the safety and general instructions.

Failure to observe the safety and general instructions may result in electric shock, fire and/or serious injury.

Please observe the illustrations at the beginning of this operating manual.

Intended use

The power tool is intended for driving and loosening screws and for drilling in wood, metal, ceramic and plastic. The GSB is also designed for impact drilling in brick, masonry and stone.

Product features

The numbering of the product features refers to the diagram of the power tool on the graphics page.

- (1) Tool holder
- (2) Keyless chuck
- (3) Torque presetting ring
- (4) Mode selector switch (GSB)
- (5) Gear selector switch
- (6) Belt clip
- (7) Battery^{A)}
- (8) Battery release button^{A)}
- (9) Worklight (LED)
- (10) Rotational direction switch
- (11) On/off switch
- (12) Bit holder^{A)}
- (13) Handle (insulated gripping surface)
- (14) Battery charge indicator^{A)}
- (15) Button for battery charge indicator^{A)}

A) **Accessories shown or described are not included with the product as standard. You can find the complete selection of accessories in our accessories range.**

Technical data

Cordless Drill/Driver Combination Cordless Drill		GSR 18V-50	GSB 18V-50
Article number		3 601 JH5 0..	3 601 JH5 1..
Rated voltage	V=	18	18
No-load speed ^{A)}			
– First gear	min ⁻¹	0–460	0–460
– Second gear	min ⁻¹	0–1 800	0–1 800
Impact rate ^{A)}	min ⁻¹	–	0–27 000
Max. torque hard/soft screwdriving applications ^{A)}	Nm	50/28	50/28
Max. drilling diameter (first/second gear)			
– Wood	mm	35	35
– Steel	mm	13	13
– Masonry	mm	–	13
Chuck capacity	mm	1.5–13	1.5–13
Screw diameter max	mm	10	10
Weight according to EPTA-Procedure 01:2014 ^{A)}	kg	1.4–2.4	1.4–2.5
Permitted ambient temperature			
– during charging	°C	0 ... +35	0 ... +35
– during operation ^{B)} and during storage	°C	-20 ... +50	-20 ... +50
Recommended batteries		GBA 18V... ProCORE18V...	GBA 18V... ProCORE18V...

Cordless Drill/Driver Combination Cordless Drill	GSR 18V-50	GSB 18V-50
Recommended chargers	GAL 18... GAX 18... GAL 36...	GAL 18... GAX 18... GAL 36...

- A) Depends on battery in use
B) Limited performance at temperatures <0 °C

Noise/Vibration Information

		GSR 18V-50	GSB 18V-50
Noise emission values determined according to EN 62841-2-1 .			
Typically, the A-weighted noise level of the power tool is			
Sound pressure level	dB(A)	72.5	88
Sound power level	dB(A)	83.5	99
Uncertainty K	dB	5	5
Wear hearing protection			
Vibration total values a_h (triaux vector sum) and uncertainty K determined according to EN 62841-2-1 .			
Drilling in metal:			
a_h	m/s^2	2	1
K	m/s^2	1.5	1.5
Impact drilling into concrete:			
a_h	m/s^2	–	11
K	m/s^2	–	1.5

The vibration level and noise emission value given in these instructions have been measured in accordance with a standardised measuring procedure and may be used to compare power tools. They may also be used for a preliminary estimation of vibration and noise emissions.

The stated vibration level and noise emission value represent the main applications of the power tool. However, if the power tool is used for other applications, with different application tools or is poorly maintained, the vibration level and noise emission value may differ. This may significantly increase the vibration and noise emissions over the total working period.

To estimate vibration and noise emissions accurately, the times when the tool is switched off or when it is running but not actually being used should also be taken into account. This may significantly reduce vibration and noise emissions over the total working period.

Implement additional safety measures to protect the operator from the effects of vibration, such as servicing the power tool and application tools, keeping their hands warm, and organising workflows correctly.

Assembly

- **Remove the battery from the power tool before carrying out work on the power tool (e.g. maintenance, changing tool, etc.). The battery should also be re-**

moved for transport and storage. There is risk of injury from unintentionally pressing the on/off switch.

Charging the Battery

- **Use only the chargers listed in the technical data.** Only these chargers are matched to the lithium-ion battery of your power tool.

Note: The battery is supplied partially charged. To ensure full battery capacity, fully charge the battery in the charger before using your power tool for the first time.

The lithium-ion battery can be charged at any time without reducing its service life. Interrupting the charging process does not damage the battery.

The lithium-ion battery is protected against deep discharge by the "Electronic Cell Protection (ECP)". When the battery is discharged, the power tool is switched off by means of a protective circuit: The application tool no longer rotates.

Follow the instructions on correct disposal.

Removing the Battery

The battery **(7)** is equipped with two locking levels to prevent the battery from falling out when pushing the battery release button **(8)** unintentionally. As long as the battery is inserted in the power tool, it is held in position by means of a spring.

To remove the battery **(7)**, press the release button **(8)** and pull the battery out of the power tool. **Do not use force to do this.**

Battery Charge Indicator

The green LEDs on the battery charge indicator **(14)** indicate the state of charge of the battery **(7)**. For safety reasons, it is only possible to check the state of charge when the power tool has been stopped.

Press the battery charge indicator button **(15)** to show the state of charge. This is also possible when the battery is removed.

If no LED lights up after pressing the battery charge indicator button **(15)**, the battery is defective and must be replaced.

Battery Model GBA 18V... (see figure D1)

LEDs	Capacity
3× continuous green light	60–100 %
2× continuous green light	30–60 %
1× continuous green light	5–30 %
3× flashing green light	0–5 %

Battery Model ProCORE18V... (see figure D2)

LEDs	Capacity
5× continuous green light	80–100 %
4× continuous green light	60–80 %
3× continuous green light	40–60 %
2× continuous green light	20–40 %
1× continuous green light	5–20 %
1× flashing green light	0–5 %

Changing the tool (see figure A)

- **Remove the battery from the power tool before carrying out work on the power tool (e.g. maintenance, changing tool, etc.). The battery should also be removed for transport and storage.** There is risk of injury from unintentionally pressing the on/off switch.

The drill spindle is locked when the on/off switch **(11)** is not pressed. This makes it possible to change the application tool in the drill chuck quickly, conveniently and easily.

Open the keyless chuck **(2)** by turning it in the direction of rotation **⌚** until the tool can be inserted. Insert the tool.

Firmly tighten the keyless chuck **(2)** by turning it by hand in the direction of rotation **⌚**. This will automatically lock the drill chuck.

Dust/Chip Extraction

Dust from materials such as lead-containing coatings, some wood types, minerals and metal can be harmful to one's health. Touching or breathing-in the dust can cause allergic reactions and/or lead to respiratory infections of the user or bystanders.

Certain dust, such as oak or beech dust, is considered carcinogenic, especially in connection with wood-treatment additives (chromate, wood preservative). Materials containing asbestos may only be worked by specialists.

- Provide for good ventilation of the working place.
- It is recommended to wear a P2 filter-class respirator.

Observe the relevant regulations in your country for the materials to be worked.

- **Avoid dust accumulation at the workplace.** Dust can easily ignite.

Operation

Starting Operation

Inserting the battery

Note: The use of batteries unsuitable for your power tool can lead to malfunctions or damage to the power tool.

Push the charged battery **(7)** into the base of the power tool from the front until the battery is securely locked.

Setting the rotational direction (see figure B)

The rotational direction switch **(10)** is used to change the rotational direction of the power tool. However, this is not possible while the on/off switch **(11)** is being pressed.

Right rotation: To drill and to drive in screws, press the rotational direction switch **(10)** through to the left stop.

Left Rotation: To loosen and unscrew screws and nuts, press the rotational direction switch **(10)** through to the right stop.

Setting the Operating Mode



Drilling

GSR

Set the torque presetting ring **(3)** to the "drilling" symbol.

GSB

Set the mode selector switch **(4)** to the "drilling" symbol.



Screwdriving

GSR

Set the torque presetting ring **(3)** to the required torque.

GSB

Set the mode selector switch **(4)** to the "screwdriving" symbol.



Impact drilling (GSB)

Set the mode selector switch **(4)** to the "impact drilling" symbol.

Switching on/off

To **start** the power tool, press and hold the on/off switch **(11)**.

The LED **(9)** lights up when the on/off switch **(11)** is lightly or fully pressed, meaning that the work area is illuminated in poor lighting conditions.

To **switch off** the power tool, release the on/off switch **(11)**.

Adjusting the Speed

You can adjust the speed of the power tool when it is on by pressing in the on/off switch **(11)** to varying extents.

A light pressure on the on/off switch **(11)** results in a low rotational speed. Increased pressure on the switch causes an increase in speed.

Preselecting torque (applies to screwdriving mode)

The torque presetting ring **(3)** can be used to pre-select the required torque in 20 stages. Once the set torque has been reached, the application tool will be stopped.

Mechanical gear selection

- ▶ **Only operate the gear selector (5) when the power tool is not in use.**

First gear:

Low speed range; for working with a large drilling diameter or for screwdriving.

Second gear:

High speed range; for working with a small drilling diameter.

- ▶ **Always push the gear selector switch as far as it will go.** Otherwise, the power tool may become damaged.

Temperature-dependent overload protection

When used as intended, the power tool cannot be overloaded. In the event of overloading or the temperature rising/falling outside the permitted operating temperature range, the speed will be reduced. The power tool will not run at full speed again until the permitted operating temperature has been reached.

Fully automatic spindle lock (Auto-Lock)

The drill spindle, and therefore the tool holder, are locked when the on/off switch **(11)** is not pressed.

This allows screws to be driven in even when the battery is discharged and enables the power tool to be used as a screwdriver.

Practical advice

- ▶ **Only apply the power tool to the screw when the tool is switched off.** Rotating application tools can slip off.

Before screwing larger, longer screws into hard materials, it is advisable to pre-drill a pilot hole with the core diameter of the thread to approx. 2/3 of the screw length.

An auxiliary tool can be used to remove the screwdriver bit or universal bit holder.

Maintenance and Service

Maintenance and Cleaning

- ▶ **Remove the battery from the power tool before carrying out work on the power tool (e.g. maintenance, changing tool, etc.). The battery should also be removed for transport and storage.** There is risk of injury from unintentionally pressing the on/off switch.
- ▶ **To ensure safe and efficient operation, always keep the power tool and the ventilation slots clean.**

After-Sales Service and Application Service

Our after-sales service responds to your questions concerning maintenance and repair of your product as well as spare parts. You can find explosion drawings and information on spare parts at: www.bosch-pt.com

The Bosch product use advice team will be happy to help you with any questions about our products and their accessories.

In all correspondence and spare parts orders, please always include the 10-digit article number given on the nameplate of the product.

Great Britain

Robert Bosch Ltd. (B.S.C.)
P.O. Box 98
Broadwater Park
North Orbital Road
Denham Uxbridge
UB 9 5HJ

At www.bosch-pt.co.uk you can order spare parts or arrange the collection of a product in need of servicing or repair.

Tel. Service: (0344) 7360109

E-Mail: boschservicecentre@bosch.com

Ireland

Origo Ltd.
Unit 23 Magna Drive
Magna Business Park
City West
Dublin 24
Tel. Service: (01) 4666700
Fax: (01) 4666888

Australia, New Zealand and Pacific Islands

Robert Bosch Australia Pty. Ltd.
Power Tools
Locked Bag 66
Clayton South VIC 3169
Customer Contact Center
Inside Australia:
Phone: (01300) 307044
Fax: (01300) 307045
Inside New Zealand:
Phone: (0800) 543353
Fax: (0800) 428570
Outside AU and NZ:
Phone: +61 3 95415555
www.bosch-pt.com.au
www.bosch-pt.co.nz

Republic of South Africa Customer service

Hotline: (011) 6519600

Gauteng – BSC Service Centre

35 Roper Street, New Centre
Johannesburg
Tel.: (011) 4939375
Fax: (011) 4930126
E-Mail: bsctools@icon.co.za

KZN – BSC Service Centre

Unit E, Almar Centre
143 Crompton Street
Pinetown
Tel.: (031) 7012120
Fax: (031) 7012446
E-Mail: bsc.dur@za.bosch.com

Western Cape – BSC Service Centre

Democracy Way, Prosperity Park
Milnerton
Tel.: (021) 5512577
Fax: (021) 5513223
E-Mail: bsc@zsd.co.za

Bosch Headquarters

Midrand, Gauteng
Tel.: (011) 6519600
Fax: (011) 6519880
E-Mail: rbsa-hq.pts@za.bosch.com

Transport

The contained lithium-ion batteries are subject to the Dangerous Goods Legislation requirements. The batteries are suitable for road-transport by the user without further restrictions.

When shipping by third parties (e.g.: by air transport or forwarding agency), special requirements on packaging and labelling must be observed. For preparation of the item being shipped, consulting an expert for hazardous material is required.

Dispatch battery packs only when the housing is undamaged. Tape or mask off open contacts and pack up the battery in such a manner that it cannot move around in the packaging. Please also observe the possibility of more detailed national regulations.

Disposal

The machine, rechargeable batteries, accessories and packaging should be sorted for environmental-friendly recycling.



Do not dispose of power tools and batteries/rechargeable batteries into household waste!

Battery packs/batteries:**Li-ion:**

Please observe the notes in the section on transport (see "Transport", page 12).

Français**Consignes de sécurité****Avertissements de sécurité généraux pour l'outil électrique****AVERTISSEMENT**

Lire tous les avertissements de sécurité, les instructions, les illustrations et les spécifications fournis

avec cet outil électrique. Ne pas suivre les instructions énumérées ci-dessous peut provoquer un choc électrique, un incendie et/ou une blessure sérieuse.

Conservé tous les avertissements et toutes les instructions pour pouvoir s'y reporter ultérieurement.

Le terme "outil électrique" dans les avertissements fait référence à votre outil électrique alimenté par le secteur (avec cordon d'alimentation) ou votre outil électrique fonctionnant sur batterie (sans cordon d'alimentation).

Sécurité de la zone de travail▶ **Conservé la zone de travail propre et bien éclairée.**

Les zones en désordre ou sombres sont propices aux accidents.

▶ **Ne pas faire fonctionner les outils électriques en atmosphère explosive, par exemple en présence de liquides inflammables, de gaz ou de poussières.** Les outils électriques produisent des étincelles qui peuvent enflammer les poussières ou les fumées.▶ **Maintenir les enfants et les personnes présentes à l'écart pendant l'utilisation de l'outil électrique.** Les distractions peuvent vous faire perdre le contrôle de l'outil.**Sécurité électrique**▶ **Il faut que les fiches de l'outil électrique soient adaptées au socle. Ne jamais modifier la fiche de quelque façon que ce soit. Ne pas utiliser d'adaptateurs avec des outils électriques à branchement de terre.** Des fiches non modifiées et des socles adaptés réduisent le risque de choc électrique.▶ **Éviter tout contact du corps avec des surfaces reliées à la terre telles que les tuyaux, les radiateurs, les cuisinières et les réfrigérateurs.** Il existe un risque accru de choc électrique si votre corps est relié à la terre.▶ **Ne pas exposer les outils électriques à la pluie ou à des conditions humides.** La pénétration d'eau à l'intérieur d'un outil électrique augmente le risque de choc électrique.▶ **Ne pas maltraiter le cordon. Ne jamais utiliser le cordon pour porter, tirer ou débrancher l'outil électrique. Maintenir le cordon à l'écart de la chaleur, du lubrifiant, des arêtes vives ou des parties en mouvement.** Des cordons endommagés ou emmêlés augmentent le risque de choc électrique.▶ **Lorsqu'on utilise un outil électrique à l'extérieur, utiliser un prolongateur adapté à l'utilisation extérieure.**

L'utilisation d'un cordon adapté à l'utilisation extérieure réduit le risque de choc électrique.

- ▶ **Si l'usage d'un outil électrique dans un emplacement humide est inévitable, utiliser une alimentation protégée par un dispositif à courant différentiel résiduel (RCD).** L'usage d'un RCD réduit le risque de choc électrique.

Sécurité des personnes

- ▶ **Rester vigilant, regarder ce que vous êtes en train de faire et faire preuve de bon sens dans votre utilisation de l'outil électrique. Ne pas utiliser un outil électrique lorsque vous êtes fatigué ou sous l'emprise de drogues, de l'alcool ou de médicaments.** Un moment d'inattention en cours d'utilisation d'un outil électrique peut entraîner des blessures graves.
- ▶ **Utiliser un équipement de protection individuelle. Toujours porter une protection pour les yeux.** Les équipements de protection individuelle tels que les masques contre les poussières, les chaussures de sécurité antidérapantes, les casques ou les protections auditives utilisés pour les conditions appropriées réduisent les blessures.
- ▶ **Éviter tout démarrage intempestif. S'assurer que l'interrupteur est en position arrêt avant de brancher l'outil au secteur et/ou au bloc de batteries, de le ramasser ou de le porter.** Porter les outils électriques en ayant le doigt sur l'interrupteur ou brancher des outils électriques dont l'interrupteur est en position marche est source d'accidents.
- ▶ **Retirer toute clé de réglage avant de mettre l'outil électrique en marche.** Une clé laissée fixée sur une partie tournante de l'outil électrique peut donner lieu à des blessures.
- ▶ **Ne pas se précipiter. Garder une position et un équilibre adaptés à tout moment.** Cela permet un meilleur contrôle de l'outil électrique dans des situations inattendues.
- ▶ **S'habiller de manière adaptée. Ne pas porter de vêtements amples ou de bijoux. Garder les cheveux et les vêtements à distance des parties en mouvement.** Des vêtements amples, des bijoux ou les cheveux longs peuvent être pris dans des parties en mouvement.
- ▶ **Si des dispositifs sont fournis pour le raccordement d'équipements pour l'extraction et la récupération des poussières, s'assurer qu'ils sont connectés et correctement utilisés.** Utiliser des collecteurs de poussière peut réduire les risques dus aux poussières.
- ▶ **Rester vigilant et ne pas négliger les principes de sécurité de l'outil sous prétexte que vous avez l'habitude de l'utiliser.** Une fraction de seconde d'inattention peut provoquer une blessure grave.

Utilisation et entretien de l'outil électrique

- ▶ **Ne pas forcer l'outil électrique. Utiliser l'outil électrique adapté à votre application.** L'outil électrique adapté réalise mieux le travail et de manière plus sûre au régime pour lequel il a été construit.

- ▶ **Ne pas utiliser l'outil électrique si l'interrupteur ne permet pas de passer de l'état de marche à arrêt et inversement.** Tout outil électrique qui ne peut pas être commandé par l'interrupteur est dangereux et il faut le réparer.
- ▶ **Débrancher la fiche de la source d'alimentation et/ou enlever le bloc de batteries, s'il est amovible, avant tout réglage, changement d'accessoires ou avant de ranger l'outil électrique.** De telles mesures de sécurité préventives réduisent le risque de démarrage accidentel de l'outil électrique.
- ▶ **Conserver les outils électriques à l'arrêt hors de la portée des enfants et ne pas permettre à des personnes ne connaissant pas l'outil électrique ou les présentes instructions de le faire fonctionner.** Les outils électriques sont dangereux entre les mains d'utilisateurs novices.
- ▶ **Observer la maintenance des outils électriques et des accessoires. Vérifier qu'il n'y a pas de mauvais alignement ou de blocage des parties mobiles, des pièces cassées ou toute autre condition pouvant affecter le fonctionnement de l'outil électrique. En cas de dommages, faire réparer l'outil électrique avant de l'utiliser.** De nombreux accidents sont dus à des outils électriques mal entretenus.
- ▶ **Garder affûtés et propres les outils permettant de couper.** Des outils destinés à couper correctement entretenus avec des pièces coupantes tranchantes sont moins susceptibles de bloquer et sont plus faciles à contrôler.
- ▶ **Utiliser l'outil électrique, les accessoires et les lames etc., conformément à ces instructions, en tenant compte des conditions de travail et du travail à réaliser.** L'utilisation de l'outil électrique pour des opérations différentes de celles prévues peut donner lieu à des situations dangereuses.
- ▶ **Il faut que les poignées et les surfaces de préhension restent sèches, propres et dépourvues d'huiles et de graisses.** Des poignées et des surfaces de préhension glissantes rendent impossibles la manipulation et le contrôle en toute sécurité de l'outil dans les situations inattendues.

Utilisation des outils fonctionnant sur batteries et précautions d'emploi

- ▶ **Ne recharger qu'avec le chargeur spécifié par le fabricant.** Un chargeur qui est adapté à un type de bloc de batteries peut créer un risque de feu lorsqu'il est utilisé avec un autre type de bloc de batteries.
- ▶ **N'utiliser les outils électriques qu'avec des blocs de batteries spécifiquement désignés.** L'utilisation de tout autre bloc de batteries peut créer un risque de blessure et de feu.
- ▶ **Lorsqu'un bloc de batteries n'est pas utilisé, le maintenir à l'écart de tout autre objet métallique, par exemple trombones, pièces de monnaie, clés, clous, vis ou autres objets de petite taille qui peuvent donner**

lieu à une connexion d'une borne à une autre. Le court-circuitage des bornes d'une batterie entre elles peut causer des brûlures ou un feu.

- ▶ **Dans de mauvaises conditions, du liquide peut être éjecté de la batterie; éviter tout contact. En cas de contact accidentel, nettoyer à l'eau. Si le liquide entre en contact avec les yeux, rechercher en plus une aide médicale.** Le liquide éjecté des batteries peut causer des irritations ou des brûlures.
- ▶ **Ne pas utiliser un bloc de batteries ou un outil fonctionnant sur batteries qui a été endommagé ou modifié.** Les batteries endommagées ou modifiées peuvent avoir un comportement imprévisible provoquant un feu, une explosion ou un risque de blessure.
- ▶ **Ne pas exposer un bloc de batteries ou un outil fonctionnant sur batteries au feu ou à une température excessive.** Une exposition au feu ou à une température supérieure à 130°C peut provoquer une explosion.
- ▶ **Suivre toutes les instructions de charge et ne pas charger le bloc de batteries ou l'outil fonctionnant sur batteries hors de la plage de températures spécifiée dans les instructions.** Un chargement incorrect ou à des températures hors de la plage spécifiée de températures peut endommager la batterie et augmenter le risque de feu.

Maintenance et entretien

- ▶ **Faire entretenir l'outil électrique par un réparateur qualifié utilisant uniquement des pièces de rechange identiques.** Cela assure le maintien de la sécurité de l'outil électrique.
- ▶ **Ne jamais effectuer d'opération d'entretien sur des blocs de batteries endommagés.** Il convient que l'entretien des blocs de batteries ne soit effectué que par le fabricant ou les fournisseurs de service autorisés.

Consignes de sécurité pour perceuses et visseuses

Instructions de sécurité pour toutes les opérations

- ▶ **Porter des protecteurs d'oreille lors de l'utilisation de la perceuse à percussion.** Porter des protecteurs d'oreille lors de l'utilisation de la perceuse à percussion.
- ▶ **Tenir l'outil électrique par les surfaces de préhension isolées, au cours des opérations pendant lesquelles l'accessoire de coupe ou les fixations peut être en contact avec un câblage caché.** Un accessoire de coupe ou les fixations en contact avec un fil "sous tension" peut "mettre sous tension" les parties métalliques exposées de l'outil électrique et provoquer un choc électrique chez l'opérateur.

Instructions de sécurité pour l'utilisation de forets longs

- ▶ **Ne jamais utiliser à une vitesse supérieure à la vitesse assignée maximale du foret.** À des vitesses supérieures, le foret est susceptible de se plier s'il peut tourner librement sans être en contact avec la pièce à usiner, ce qui provoque des blessures.

- ▶ **Toujours commencer à percer à faible vitesse et en mettant l'embout du foret en contact avec la pièce à usiner.** À des vitesses supérieures, le foret est susceptible de se plier s'il peut tourner librement sans être en contact avec la pièce à usiner, ce qui provoque des blessures.
- ▶ **Appliquer une pression uniquement sur le foret et ne pas appliquer de pression excessive.** Les forets peuvent se plier, ce qui peut provoquer leur casse ou une perte de contrôle, et donc des blessures.

Consignes de sécurité additionnelles

- ▶ **Maintenez bien l'outil électroportatif en place.** Lors du serrage ou du desserrage des vis, des couples de réaction élevés peuvent survenir en peu de temps.
- ▶ **Bloquez la pièce à travailler.** Une pièce à travailler serrée par des dispositifs de serrage appropriés ou dans un étau est fixée de manière plus sûre que quand elle est tenue avec une main.
- ▶ **Utilisez un détecteur approprié pour vérifier s'il n'y a pas de conduites cachées ou contactez votre société de distribution d'eau locale.** Tout contact avec des câbles électriques peut provoquer un incendie ou un choc électrique. Tout endommagement d'une conduite de gaz peut provoquer une explosion. La perforation d'une conduite d'eau provoque des dégâts matériels.
- ▶ **Avant de poser l'outil électroportatif, attendez que celui-ci soit complètement à l'arrêt.** L'outil risque de se coincer, ce qui entraînerait une perte de contrôle de l'outil électroportatif.
- ▶ **Si l'accu est endommagé ou utilisé de manière non conforme, des vapeurs peuvent s'échapper. L'accu peut brûler ou exploser.** Ventilez le local et consultez un médecin en cas de malaise. Les vapeurs peuvent entraîner des irritations des voies respiratoires.
- ▶ **N'ouvrez pas l'accu.** Risque de court-circuit.
- ▶ **Les objets pointus comme un clou ou un tournevis et le fait d'exercer une force extérieure sur le boîtier risque d'endommager l'accu.** Il peut en résulter un court-circuit interne et l'accu risque de s'enflammer, de dégager des fumées, d'exploser ou de surchauffer.
- ▶ **N'utilisez l'accu qu'avec des produits du fabricant.** Tout risque de surcharge dangereuse sera alors exclu.



Conservez la batterie à l'abri de la chaleur, en la protégeant p. ex. de l'ensoleillement direct, du feu, de la saleté, de l'eau et de l'humidité. Il existe un risque d'explosion et de courts-circuits.

- ▶ **Arrêtez immédiatement l'outil électroportatif dès que l'accessoire se bloque. Attendez-vous à des couples de réaction importants causant des rebonds.** L'accessoire se bloque quand il reste coincé dans la pièce ou quand l'outil électroportatif est en surcharge.

Description des prestations et du produit



Lisez attentivement toutes les instructions et consignes de sécurité. Le non-respect des instructions et consignes de sécurité peut provoquer un choc électrique, un incendie et/ou entraîner de graves blessures.

Référez-vous aux illustrations qui se trouvent à l'avant de la notice d'utilisation.

Utilisation conforme

L'outil électroportatif est conçu pour le vissage et le dévissage de vis ainsi que pour le perçage dans le bois, le métal, la céramique et les matières plastiques. La GSB est également conçue pour le perçage à percussion dans la brique, la maçonnerie et la pierre naturelle.

Éléments constitutifs

La numérotation des éléments de l'appareil se réfère à la représentation de l'outil électroportatif sur la page graphique.

- (1) Porte-outil
- (2) Mandrin automatique
- (3) Bague de présélection de couple
- (4) Sélecteur de mode de fonctionnement (GSB)
- (5) Sélecteur de vitesse
- (6) Clip de ceinture
- (7) Accu^{A)}
- (8) Touche de déverrouillage d'accu^{A)}
- (9) Éclairage de travail (LED)
- (10) Sélecteur de sens de rotation
- (11) Interrupteur Marche/Arrêt
- (12) Porte-embout^{A)}
- (13) Poignée (surface de préhension isolée)
- (14) Indicateur de niveau de charge de l'accu^{A)}
- (15) Bouton de l'indicateur de niveau de charge^{A)}

A) **Les accessoires décrits ou illustrés ne sont pas tous compris dans la fourniture. Vous trouverez les accessoires complets dans notre gamme d'accessoires.**

Caractéristiques techniques

Perceuse-visseuse sans-fil		GSR 18V-50	GSB 18V-50
Perceuse-visseuse à percussion sans-fil			
Référence		3 601 JH5 0..	3 601 JH5 1..
Tension nominale	V=	18	18
Régime à vide ^{A)}			
– 1re vitesse	tr/min	0 – 460	0 – 460
– 2e vitesse	tr/min	0 – 1 800	0 – 1 800
Fréquence de frappe ^{A)}	min ⁻¹	–	0 – 27 000
Couple maxi (vissage dur/tendre) ^{A)}	Nm	50/28	50/28
Ø de perçage maxi (1re/2e vitesse)			
– Bois	mm	35	35
– Acier	mm	13	13
– Maçonnerie	mm	–	13
Plage de serrage du mandrin	mm	1,5 – 13	1,5 – 13
Ø de vissage maxi	mm	10	10
Poids selon EPTA-Procédure 01:2014 ^{A)}	kg	1,4 – 2,4	1,4 – 2,5
Températures ambiantes admissibles			
– pendant la charge	°C	0 ... +35	0 ... +35
– pendant le fonctionnement ^{B)} et pour le stockage	°C	-20 ... +50	-20 ... +50
Accus recommandés		GBA 18V... ProCORE18V...	GBA 18V... ProCORE18V...
Chargeurs recommandés		GAL 18... GAX 18... GAL 36...	GAL 18... GAX 18... GAL 36...

A) Dépend de l'accu utilisé

B) Performances réduites à des températures <0 °C

Niveau sonore et vibrations

GSR 18V-50

GSB 18V-50

Valeurs d'émissions sonores déterminées selon la norme **EN 62841-2-1**.

Le niveau sonore en dB(A) typique de l'outil électroportatif est de :

Niveau de pression acoustique	dB(A)	72,5	88
Niveau de puissance acoustique	dB(A)	83,5	99
Incertitude K	dB	5	5

Portez un casque antibruit !

Valeurs globales de vibration a_h (somme vectorielle sur les trois axes) et incertitude K conformément à **EN 62841-2-1**.

Perçage du métal :

a_h	m/s^2	2	1
K	m/s^2	1,5	1,5

Perçage à percussion dans le béton :

a_h	m/s^2	–	11
K	m/s^2	–	1,5

Le niveau de vibration et la valeur d'émission sonore indiqués dans cette notice d'utilisation ont été mesurés conformément à la norme et peuvent être utilisés pour une comparaison entre les outils électroportatifs. Ils peuvent aussi servir de base à une estimation préliminaire du taux de vibration et du niveau sonore.

Le niveau de vibration et la valeur d'émission sonore indiqués s'appliquent pour les utilisations principales de l'outil électroportatif. Si l'outil électroportatif est utilisé pour d'autres applications, avec d'autres accessoires de travail ou sans avoir fait l'objet d'un entretien régulier, le niveau de vibration et la valeur d'émission sonore peuvent différer. Il peut en résulter des vibrations et un niveau sonore nettement plus élevés pendant toute la durée de travail.

Pour une estimation précise du niveau de vibration et du niveau sonore, il faut aussi prendre en considération les périodes pendant lesquelles l'outil est éteint ou bien en marche sans être vraiment en action. Il peut en résulter au final un niveau de vibration et un niveau sonore nettement plus faibles pendant toute la durée de travail.

Prévoyez des mesures de protection supplémentaires permettant de protéger l'utilisateur de l'effet des vibrations, par exemple : maintenance de l'outil électroportatif et des accessoires de travail, maintien des mains au chaud, organisation des procédures de travail.

Montage

- **Retirez l'accu de l'appareil électroportatif avant toute intervention (opérations d'entretien/de maintenance, changement d'accessoire, etc.) ainsi que lors de son transport et rangement.** Il y a sinon risque de blessure lorsqu'on appuie par mégarde sur l'interrupteur Marche/Arrêt.

Recharge de l'accu

- **N'utilisez que les chargeurs indiqués dans les Caractéristiques techniques.** Seuls ces chargeurs sont adaptés à l'accu Lithium-Ion de votre outil électroportatif.

Remarque : L'accu est fourni partiellement chargé. Pour obtenir les performances maximales, chargez l'accu jusqu'à sa pleine capacité avant la première utilisation.

L'accu Lithium-Ion peut être rechargé à tout moment, sans risquer de réduire sa durée de vie. Le fait d'interrompre le processus de charge n'endommage pas l'accu.

L'accu Lithium-Ion est protégé contre une décharge complète par « Electronic Cell Protection (ECP) » (l'électronique de protection des cellules). Lorsque l'accu est déchargé, l'outil électroportatif s'arrête grâce à un dispositif d'arrêt de protection : l'accessoire de travail ne tourne plus.

Respectez les indications concernant l'élimination.

Retrait de l'accu

L'accu **(7)** dispose de deux positions de verrouillage permettant d'éviter que l'accu tombe si l'on appuie par mégarde sur la touche de déverrouillage de l'accu **(8)**. Tant que l'accu reste en place dans l'outil électroportatif, un ressort le maintient en position.

Pour retirer l'accu **(7)**, appuyez sur la touche de déverrouillage **(8)** et dégagez l'accu de l'outil électroportatif. **Ne forcez pas.**

Indicateur de niveau de charge de l'accu

Les LED vertes de l'indicateur d'état de charge **(14)** indiquent le niveau de charge de l'accu **(7)**. Pour des raisons de sécurité, il n'est possible d'afficher l'état de charge que quand l'outil électroportatif est à l'arrêt.

Pour afficher le niveau de charge, actionnez le bouton **(15)** de l'indicateur de niveau de charge. L'affichage du niveau de charge est également possible après retrait de l'accu.

Si aucune LED ne s'allume après avoir appuyé sur le bouton **(15)**, l'accu est défectueux et doit être remplacé.

Accu de type GBA 18V... (voir figure D1)

LED	Capacité
3 LED allumées en vert	60–100 %
2 LED allumées en vert	30–60 %
1 LED allumée en vert	5–30 %
Clignotement en vert de 3 LED	0–5 %

Accu de type ProCORE18V... (voir figure D2)

LED	Capacité
5 LED allumées en vert	80–100 %
4 LED allumées en vert	60–80 %
3 LED allumées en vert	40–60 %
2 LED allumées en vert	20–40 %
1 LED allumée en vert	5–20 %
Clignotement en vert d'1 LED	0–5 %

Changement d'accessoire (voir figure A)

- **Retirez l'accu de l'appareil électroportatif avant toute intervention (opérations d'entretien/de maintenance, changement d'accessoire, etc.) ainsi que lors de son transport et rangement.** Il y a sinon risque de blessure lorsqu'on appuie par mégarde sur l'interrupteur Marche/Arrêt.

Lorsque l'interrupteur Marche/Arrêt **(11)** n'est pas actionné, la broche de perçage est bloquée. Cela permet de changer facilement et rapidement l'accessoire de travail qui se trouve dans le mandrin.

Ouvrez le mandrin automatique **(2)** en le tournant dans le sens **1** jusqu'à ce que l'accessoire puisse être inséré. Insérez l'accessoire de travail.

Tournez fermement à la main la bague du mandrin automatique **(2)** dans le sens **2**. Le mandrin se verrouille alors automatiquement.

Aspiration de poussières/de copeaux

Les poussières de matériaux tels que peintures contenant du plomb, certains bois, minéraux ou métaux, peuvent être nuisibles à la santé. Entrer en contact ou aspirer les poussières peut entraîner des réactions allergiques et/ou des maladies respiratoires auprès de l'utilisateur ou de personnes se trouvant à proximité.

Certaines poussières telles que les poussières de chêne ou de hêtre sont considérées comme cancérigènes, surtout en association avec des additifs pour le traitement du bois (chromate, lazure). Les matériaux contenant de l'amiante ne doivent être travaillés que par des personnes qualifiées.

- Veillez à bien aérer la zone de travail.
- Il est recommandé de porter un masque respiratoire avec un niveau de filtration de classe P2.

Respectez les règlements spécifiques aux matériaux à traiter en vigueur dans votre pays.

- **Évitez toute accumulation de poussières sur le lieu de travail.** Les poussières peuvent facilement s'enflammer.

Mise en marche

Mise en marche

Montage de l'accu

Remarque : L'utilisation d'accus non conçus pour votre outil électroportatif peut entraîner des dysfonctionnements ou endommager l'outil électroportatif.

Introduisez l'accu chargé **(7)** par l'avant dans le pied de l'outil électroportatif jusqu'à ce qu'il soit bien verrouillé.

Sélection du sens de rotation (voir figure B)

Le sélecteur de sens de rotation **(10)** permet d'inverser le sens de rotation de l'outil électroportatif. Cela n'est toutefois pas possible lorsqu'on appuie sur l'interrupteur Marche/Arrêt **(11)**.

Rotation droite : Pour percer et visser, poussez le sélecteur de sens de rotation **(10)** à fond vers la gauche.

Rotation gauche : Pour desserrer ou dévisser des vis et des écrous, actionnez le sélecteur de sens de rotation **(10)** à fond vers la droite.

Sélection d'un mode de fonctionnement



Perçage

GSR

Positionnez la bague de présélection de couple **(3)** sur le symbole « Perçage ».

GSB

Placez le sélecteur de mode de fonctionnement **(4)** sur le symbole « Perçage ».



Vissage

GSR

Réglez le couple souhaité avec la bague de présélection de couple **(3)**.

GSB

Placez le sélecteur de mode de fonctionnement **(4)** sur le symbole « Vissage ».



Perçage avec percussion (GSB)

Placez le sélecteur de mode **(4)** sur le symbole « Perçage à percussion ».

Mise en marche/arrêt

Pour **mettre en marche** l'outil électroportatif, actionnez l'interrupteur Marche/Arrêt **(11)** et maintenez-le actionné.

La LED **(9)** s'allume lorsque l'interrupteur Marche/Arrêt **(11)** est enfoncé un peu ou complètement. Elle permet d'éclairer la zone de travail dans les endroits sombres.

Pour **arrêter** l'outil électroportatif, relâchez l'interrupteur Marche/Arrêt **(11)**.

Réglage de la vitesse de rotation

Il est possible de faire varier en continu la vitesse de rotation de l'outil électroportatif en exerçant plus ou moins de pression sur l'interrupteur Marche/Arrêt **(11)**.

Une légère pression sur l'interrupteur Marche/Arrêt **(11)** produit une faible vitesse de rotation. Plus l'on exerce de pression, plus la vitesse de rotation augmente.

Présélection du couple (pour le mode vissage)

La bague de présélection de couple **(3)** permet de préréglager le couple dans 20 positions. Dès que le couple réglé est atteint, l'accessoire de travail s'immobilise.

Sélection mécanique d'une vitesse

► **N'actionnez le sélecteur de vitesse (5) que quand l'outil électroportatif est à l'arrêt.**

Vitesse 1 :

Plage de basses vitesses ; pour diamètres de perçage importants ou pour les vissages.

Vitesse 2 :

Plage de hautes vitesses ; pour les petits diamètres de perçage.

► **Poussez le sélecteur de vitesse toujours jusqu'à la butée.** L'outil électroportatif risque sinon d'être endommagé.

Protection contre les surcharges en fonction de la température

Si l'outil électroportatif est utilisé de manière conforme, tout risque de surcharge est exclu. En cas de trop forte sollicitation de l'outil ou de surchauffe, la vitesse de rotation de l'outil électroportatif est réduite. L'outil électroportatif se remet à fonctionner à pleine vitesse dès que la température repasse dans la plage des températures admissibles.

Blocage automatique de la broche (Auto-Lock)

Quand l'interrupteur Marche/Arrêt **(11)** n'est pas actionné, la broche de perçage et donc le porte-outil sont bloqués. Ceci permet de visser des vis même quand l'accu est déchargé, autrement dit de se servir de l'outil électroportatif comme d'un tournevis à main.

Instructions d'utilisation

► **Ne positionnez l'outil électroportatif sur la vis que lorsqu'il est arrêté.** Un accessoire en rotation risque de glisser.

Avant de visser des vis de gros diamètre ou très longues dans des matériaux durs, il est recommandé d'effectuer un préperçage au diamètre intérieur de filetage sur approximativement les 2/3 de la longueur de la vis.

Pour retirer un embout de vissage ou le porte-embout universel, il est permis de s'aider d'un outil.

Entretien et Service après-vente

Nettoyage et entretien

► **Retirez l'accu de l'appareil électroportatif avant toute intervention (opérations d'entretien/de maintenance,**

changement d'accessoire, etc.) ainsi que lors de son transport et rangement. Il y a sinon risque de blessure lorsqu'on appuie par mégarde sur l'interrupteur Marche/Arrêt.

► **Tenez toujours propres l'outil électroportatif ainsi que les fentes de ventilation afin d'obtenir un travail impeccable et sûr.**

Service après-vente et conseil utilisateurs

Notre Service après-vente répond à vos questions concernant la réparation et l'entretien de votre produit et les pièces de rechange. Vous trouverez des vues éclatées et des informations sur les pièces de rechange sur le site : www.bosch-pt.com

L'équipe de conseil utilisateurs Bosch se tient à votre disposition pour répondre à vos questions concernant nos produits et leurs accessoires.

Pour toute demande de renseignement ou toute commande de pièces de rechange, précisez impérativement la référence à 10 chiffres figurant sur l'étiquette signalétique du produit.

France

Réparer un outil Bosch n'a jamais été aussi simple, et ce, en moins de 5 jours, grâce à SAV DIRECT, notre formulaire de retour en ligne que vous trouverez sur notre site internet www.bosch-pt.fr à la rubrique Services. Vous y trouverez également notre boutique de pièces détachées en ligne où vous pouvez passer directement vos commandes.

Vous êtes un utilisateur, contactez : Le Service Clientèle Bosch Outillage Electroportatif
Tel. : 0811 360122 (coût d'une communication locale)
E-Mail : sav.outillage-electroportatif@fr.bosch.com

Vous êtes un revendeur, contactez :

Robert Bosch (France) S.A.S.
Service Après-Vente Electroportatif
126, rue de Stalingrad
93705 DRANCY Cédex
Tel. : (01) 43119006
E-Mail : sav-bosch.outillage@fr.bosch.com

Belgique, Luxembourg

Tel. : +32 2 588 0589
Fax : +32 2 588 0595
E-Mail : outillage.gereedschap@be.bosch.com

Suisse

Passez votre commande de pièces détachées directement en ligne sur notre site www.bosch-pt.com/ch/fr.
Tel. : (044) 8471512
Fax : (044) 8471552
E-Mail : Aftersales.Service@de.bosch.com

Transport

Les accus Lithium-ion sont soumis à la réglementation relative au transport de matières dangereuses. Pour le transport par voie routière, aucune mesure supplémentaire n'a besoin d'être prise.

Lors d'une expédition par un tiers (par ex. transport aérien ou entreprise de transport), des mesures spécifiques doivent être prises concernant l'emballage et le marquage. Pour la préparation de l'envoi, faites-vous conseiller par un expert en transport de matières dangereuses.

N'expédiez que des accus dont le boîtier n'est pas endommagé. Recouvrez les contacts non protégés et emballez l'accu de manière à ce qu'il ne puisse pas se déplacer dans l'emballage. Veuillez également respecter les réglementations supplémentaires éventuellement en vigueur.

Élimination des déchets



Les outils électroportatifs, les accus ainsi que leurs accessoires et emballages doivent être rapportés dans un centre de recyclage respectueux de l'environnement.



Ne jetez pas les outils électroportatifs et les accus/piles avec les ordures ménagères !

Accus/piles :

Li-Ion :

Veuillez respecter les indications se trouvant dans le chapitre Transport (voir « Transport », Page 18).



Português

Instruções de segurança

Instruções gerais de segurança para ferramentas eléctricas

AVISO

Devem ser lidas todas as indicações de segurança,

instruções, ilustrações e especificações desta ferramenta eléctrica. O desrespeito das instruções apresentadas abaixo poderá resultar em choque eléctrico, incêndio e/ou ferimentos graves.

Guarde bem todas as advertências e instruções para futura referência.

O termo "ferramenta eléctrica" utilizado a seguir nas indicações de advertência, refere-se a ferramentas eléctricas operadas com corrente de rede (com cabo de rede) e a ferramentas eléctricas operadas com acumulador (sem cabo de rede).

Segurança da área de trabalho

- ▶ **Mantenha a sua área de trabalho sempre limpa e bem iluminada.** Desordem ou áreas de trabalho insuficientemente iluminadas podem levar a acidentes.
- ▶ **Não trabalhar com a ferramenta eléctrica em áreas com risco de explosão, nas quais se encontrem líquidos, gases ou pós inflamáveis.** Ferramentas

eléctricas produzem faíscas, que podem inflamar pós ou vapores.

- ▶ **Manter crianças e outras pessoas afastadas da ferramenta eléctrica durante a utilização.** No caso de distração é possível que perca o controlo sobre o aparelho.

Segurança eléctrica

- ▶ **A ficha de conexão da ferramenta eléctrica deve caber na tomada. A ficha não deve ser modificada de maneira alguma. Não utilizar uma ficha de adaptação junto com ferramentas eléctricas protegidas por ligação à terra.** Fichas não modificadas e tomadas apropriadas reduzem o risco de um choque eléctrico.
- ▶ **Evitar que o corpo possa entrar em contacto com superfícies ligadas à terra, como tubos, aquecimentos, fogões e frigoríficos.** Há um risco elevado devido a um choque eléctrico, se o corpo estiver ligado à terra.
- ▶ **Manter o aparelho afastado de chuva ou humidade.** A infiltração de água numa ferramenta eléctrica aumenta o risco de choque eléctrico.
- ▶ **Não deverá utilizar o cabo para outras finalidades. Nunca utilizar o cabo para transportar a ferramenta eléctrica, para pendurá-la, nem para puxar a ficha da tomada. Manter o cabo afastado do calor, do óleo, de arestas afiadas ou de peças em movimento.** Cabos danificados ou emaranhados aumentam o risco de um choque eléctrico.
- ▶ **Se trabalhar com uma ferramenta eléctrica ao ar livre, só deverá utilizar cabos de extensão apropriados para áreas exteriores.** A utilização de um cabo de extensão apropriado para áreas exteriores reduz o risco de um choque eléctrico.
- ▶ **Se não for possível evitar o funcionamento da ferramenta eléctrica em áreas húmidas, deverá ser utilizado um disjuntor de corrente de avaria.** A utilização de um disjuntor de corrente de avaria reduz o risco de um choque eléctrico.

Segurança de pessoas

- ▶ **Esteja atento, observe o que está a fazer e tenha prudência ao trabalhar com a ferramenta eléctrica. Não utilizar uma ferramenta eléctrica quando estiver fatigado ou sob a influência de drogas, álcool ou medicamentos.** Um momento de descuido ao utilizar a ferramenta eléctrica, pode levar a lesões graves.
- ▶ **Utilizar equipamento de protecção individual. Utilizar sempre óculos de protecção.** A utilização de equipamento de protecção pessoal, como máscara de protecção contra pó, sapatos de segurança antiderrapantes, capacete de segurança ou protecção auricular, de acordo com o tipo e aplicação da ferramenta eléctrica, reduz o risco de lesões.
- ▶ **Evitar uma colocação em funcionamento involuntária. Assegure-se de que a ferramenta eléctrica esteja desligada, antes de conectá-la à alimentação de rede e/ou ao acumulador, antes de levantá-la ou de**

transportá-la. Se tiver o dedo no interruptor ao transportar a ferramenta eléctrica ou se o aparelho for conectado à alimentação de rede enquanto estiver ligado, poderão ocorrer acidentes.

- ▶ **Remover ferramentas de ajuste ou chaves de boca antes de ligar a ferramenta eléctrica.** Uma ferramenta ou chave que se encontre numa parte do aparelho em movimento pode levar a lesões.
- ▶ **Evite uma posição anormal. Mantenha uma posição firme e mantenha sempre o equilíbrio.** Desta forma é mais fácil controlar a ferramenta eléctrica em situações inesperadas.
- ▶ **Usar roupa apropriada. Não usar roupa larga nem jóias. Mantenha os cabelos e roupas afastados de peças em movimento.** Roupas frouxas, cabelos longos ou jóias podem ser agarrados por peças em movimento.
- ▶ **Se for possível montar dispositivos de aspiração ou de recolha, assegure-se de que estejam conectados e utilizados correctamente.** A utilização de uma aspiração de pó pode reduzir o perigo devido ao pó.
- ▶ **Não deixe que a familiaridade resultante de uma utilização frequente de ferramentas permita que você se torne complacente e ignore os princípios de segurança da ferramenta.** Uma acção descuidada pode causar ferimentos graves numa fracção de segundo.

Utilização e manuseio cuidadoso de ferramentas eléctricas

- ▶ **Não sobrecarregue a ferramenta eléctrica. Utilize a ferramenta eléctrica apropriada para o seu trabalho.** É melhor e mais seguro trabalhar com a ferramenta eléctrica apropriada na área de potência indicada.
- ▶ **Não utilizar uma ferramenta eléctrica com um interruptor defeituoso.** Uma ferramenta eléctrica que não pode mais ser ligada nem desligada, é perigosa e deve ser reparada.
- ▶ **Puxar a ficha da tomada e/ou remover o acumulador, se amovível, antes de executar ajustes na ferramenta eléctrica, de substituir acessórios ou de guardar as ferramentas eléctricas.** Esta medida de segurança evita o arranque involuntário da ferramenta eléctrica.
- ▶ **Guardar ferramentas eléctricas não utilizadas fora do alcance de crianças e não permitir que as pessoas que não estejam familiarizadas com o aparelho ou que não tenham lido estas instruções utilizem o aparelho.** Ferramentas eléctricas são perigosas se forem utilizadas por pessoas inexperientes.
- ▶ **Tratar a ferramenta eléctrica e os acessórios com cuidado. Controlar se as partes móveis do aparelho funcionam perfeitamente e não emperram, e se há peças quebradas ou danificadas que possam prejudicar o funcionamento da ferramenta eléctrica. Permitir que peças danificadas sejam reparadas antes da utilização.** Muitos acidentes têm como causa, a manutenção insuficiente de ferramentas eléctricas.
- ▶ **Manter as ferramentas de corte afiadas e limpas.** Ferramentas de corte cuidadosamente tratadas e com

cantos de corte afiados emperram com menos frequência e podem ser conduzidas com maior facilidade.

- ▶ **Utilizar a ferramenta eléctrica, acessórios, ferramentas de aplicação, etc. conforme estas instruções. Considerar as condições de trabalho e a tarefa a ser executada.** A utilização de ferramentas eléctricas para outras tarefas a não ser as aplicações previstas, pode levar a situações perigosas.
- ▶ **Mantenha os punhos e as superfícies de agarrar secas, limpas e livres de óleo e massa consistente.** Punhos e superfícies de agarrar escorregadias não permitem o manuseio e controle seguros da ferramenta em situações inesperadas.

Manuseio e utilização cuidadosos de ferramentas com acumuladores

- ▶ **Só carregar acumuladores em carregadores recomendados pelo fabricante.** Há perigo de incêndio se um carregador apropriado para um certo tipo de acumuladores for utilizado para carregar acumuladores de outros tipos.
- ▶ **Só utilizar ferramentas eléctricas com os acumuladores apropriados.** A utilização de outros acumuladores pode levar a lesões e perigo de incêndio.
- ▶ **Manter o acumulador que não está sendo utilizado afastado de cliques, moedas, chaves, parafusos ou outros pequenos objectos metálicos que possam causar um curto-circuito dos contactos.** Um curto-circuito entre os contactos do acumulador pode ter como consequência queimaduras ou fogo.
- ▶ **No caso de aplicação incorrecta pode vaziar líquido do acumulador. Evitar o contacto. No caso de um contacto accidental, deverá enxaguar com água. Se o líquido entrar em contacto com os olhos, também deverá consultar um médico.** Líquido que escapa do acumulador pode levar a irritações da pele ou a queimaduras.
- ▶ **Não use um acumulador ou uma ferramenta danificada ou modificada.** Os acumuladores danificados ou modificados exibem um comportamento imprevisível podendo causar incêndio, explosão ou risco de lesão.
- ▶ **Não exponha o acumulador ou a ferramenta ao fogo ou temperatura excessiva.** A exposição ao fogo ou a temperaturas acima de 130 °C pode causar explosão.
- ▶ **Siga todas as instruções de carregamento e não carregue o acumulador ou a ferramenta fora da faixa de temperatura especificada no manual de instruções.** Carregar indevidamente ou em temperaturas fora da faixa especificada pode danificar o acumulador e aumentar o risco de incêndio.

Serviço

- ▶ **Só permita que o seu aparelho seja reparado por pessoal especializado e qualificado e só com peças de reposição originais.** Desta forma é assegurado o funcionamento seguro do aparelho.

- ▶ **Nunca tente reparar acumuladores danificados.** A reparação de acumuladores deve ser realizada apenas pelo fabricante ou agentes de assistência autorizados.

Indicações de segurança para berbequins e aparafusadoras

Instruções de segurança para todas as operações

- ▶ **Use protetores auditivos ao perfurar com impacto.** A exposição ao ruído pode provocar a perda da audição.
- ▶ **Segure a ferramenta elétrica nas superfícies de agarrar isoladas, ao executar uma operação onde o acessório de corte ou elemento de fixação possam entrar em contacto com cabos escondidos.** Se o acessório de corte ou os elementos de fixação entrarem em contacto com um cabo "sob tensão", as partes metálicas expostas da ferramenta elétrica ficam "sob tensão" e podem produzir um choque elétrico.

Instruções de segurança ao usar brocas longas

- ▶ **Nunca opere a uma velocidade maior do que a velocidade máxima da broca.** A velocidades mais altas, a broca pode dobrar-se ao rodar livremente sem entrar em contacto com a peça de trabalho, causando ferimento pessoal.
- ▶ **Comece sempre a perfurar a baixa velocidade e com a ponta da broca em contato com a peça de trabalho.** A velocidades mais altas, a broca pode dobrar-se ao rodar livremente sem entrar em contacto com a peça de trabalho, causando ferimento pessoal.
- ▶ **Aplique pressão apenas em linha direta com a broca e não aplique pressão excessiva.** As brocas podem dobrar-se, causando rutura ou perda de controlo, ou mesmo ferimento pessoal.

Instruções de segurança adicionais

- ▶ **Segure bem a ferramenta elétrica.** Ao apertar e soltar parafusos podem ocorrer temporariamente elevados momentos de reação.
- ▶ **Fixar a peça a ser trabalhada.** Uma peça a ser trabalhada fixa com dispositivos de aperto ou com torno de bancada está mais firme do que segurada com a mão.
- ▶ **Utilizar detetores apropriados, para encontrar cabos escondidos, ou consulte a companhia elétrica local.** O contacto com cabos elétricos pode provocar fogo e choques elétricos. Danos em tubos de gás podem levar à explosão. A infiltração num cano de água provoca danos materiais.
- ▶ **Esperre que a ferramenta elétrica pare completamente, antes de depositá-la.** A ferramenta de aplicação pode emperrar e levar à perda de controlo sobre a ferramenta elétrica.
- ▶ **Em caso de danos e de utilização incorreta da bateria, podem escapar vapores. A bateria pode incendiar-se ou explodir.** Areje o espaço e procure assistência médica no caso de apresentar queixas. É possível que os vapores irrite as vias respiratórias.
- ▶ **Não abrir o acumulador.** Há risco de um curto-circuito.

- ▶ **Os objetos afiados como, p. ex., pregos ou chaves de fendas, assim como o efeito de forças externas podem danificar o acumulador.** Podem causar um curto-circuito interno e o acumulador pode ficar queimado, deitar fumo, explodir ou sobreaquecer.
- ▶ **Use a bateria apenas em produtos do fabricante.** Só assim é que a bateria é protegida contra sobrecarga perigosa.



Proteger a bateria contra calor, p. ex. também contra uma permanente radiação solar, fogo, sujidade, água e humidade. Há risco de explosão ou de um curto-circuito.



- ▶ **Desligue a ferramenta de imediato se a ferramenta de trabalho encravar. Esteja atento aos binários de reação que podem dar origem a contragolpes.** O acessório acoplável fica encravado se a ferramenta elétrica for sobrecarregada ou se ficar emperrada na peça a ser trabalhada.

Descrição do produto e do serviço



Leia todas as instruções de segurança e instruções. A inobservância das instruções de segurança e das instruções pode causar choque elétrico, incêndio e/ou ferimentos graves.

Respeite as figuras na parte da frente do manual de instruções.

Utilização adequada

A ferramenta elétrica destina-se a apertar e desapertar parafusos e a furar madeira, metal, cerâmica e plástico. O GSB destina-se adicionalmente a furar com percussão em tijolo, alvenaria e pedra.

Componentes ilustrados

A numeração dos componentes ilustrados refere-se à apresentação da ferramenta elétrica na página de esquemas.

- (1) Encabadouro
- (2) Bucha de aperto rápido
- (3) Anel de ajuste da pré-seleção do binário
- (4) Seletor do modo de operação (GSB)
- (5) Seletor de velocidade
- (6) Suporte de fixação ao cinto
- (7) Bateria^{A)}
- (8) Tecla de desbloqueio da bateria^{A)}
- (9) Luz de trabalho (LED)
- (10) Comutador do sentido de rotação
- (11) Interruptor de ligar/desligar
- (12) Porta-bits^{A)}
- (13) Punho (superfície do punho isolada)
- (14) Indicador do nível de carga da bateria^{A)}

(15) Tecla indicador do nível de carga^{A)}

A) Acessórios apresentados ou descritos não pertencem ao volume de fornecimento padrão. Todos os acessórios encontram-se no nosso programa de acessórios.

Dados técnicos

Berbequim-aparafusador sem fio Berbequim de percussão sem fio		GSR 18V-50	GSB 18V-50
N.º do produto		3 601 JH5 0..	3 601 JH5 1..
Tensão nominal	V=	18	18
N.º de rotações em vazio ^{A)}			
- 1.ª velocidade	r.p.m.	0 - 460	0 - 460
- 2.ª velocidade	r.p.m.	0 - 1800	0 - 1800
N.º de impactos ^{A)}	r.p.m.	-	0 - 27000
Máx. binário de aparafusamento duro/macio ^{A)}	Nm	50/28	50/28
Ø máx. de perfuração (1.ª/2.ª velocidade)			
- Madeira	mm	35	35
- Aço	mm	13	13
- Muramentos	mm	-	13
Faixa de aperto da bucha	mm	1,5 - 13	1,5 - 13
Ø máximo do parafuso	mm	10	10
Peso conforme EPTA-Procedure 01:2014 ^{A)}	kg	1,4 - 2,4	1,4 - 2,5
Temperatura ambiente admissível			
- ao carregar	°C	0 ... +35	0 ... +35
- em funcionamento ^{B)} e durante o armazenamento	°C	-20 ... +50	-20 ... +50
Baterias recomendadas		GBA 18V... ProCORE18V...	GBA 18V... ProCORE18V...
Carregadores recomendados		GAL 18... GAX 18... GAL 36...	GAL 18... GAX 18... GAL 36...

A) dependendo da bateria utilizada

B) potência limitada com temperaturas <0 °C

Informações sobre ruídos/vibrações

		GSR 18V-50	GSB 18V-50
Os valores de emissão de ruído foram determinados de acordo com EN 62841-2-1 .			
Normalmente, o nível sonoro de classe A da ferramenta elétrica compreende			
Nível de pressão acústica	dB(A)	72,5	88
Nível da potência acústica	dB(A)	83,5	99
Incerteza K	dB	5	5
Usar proteção auditiva!			
Valores totais de vibração a_h (soma dos vetores das três direções) e incerteza K determinada segundo EN 62841-2-1 .			
Furar metal:			
a_h	m/s ²	2	1
K	m/s ²	1,5	1,5
Furar com percussão em betão:			
a_h	m/s ²	-	11

		GSR 18V-50	GSB 18V-50
K	m/s ²	-	1,5

O nível de vibrações indicado nestas instruções e o valor de emissões sonoras foram medidos de acordo com um processo de medição normalizado e podem ser utilizados para a comparação de ferramentas elétricas. Também são adequados para uma avaliação provisória das emissões sonoras e de vibrações.

O nível de vibrações indicado e o valor de emissões sonoras representam as aplicações principais da ferramenta elétrica. Se a ferramenta elétrica for utilizada para outras aplicações, com outras ferramentas de trabalho ou com manutenção insuficiente, é possível que o nível de vibrações e de emissões sonoras seja diferente. Isto pode aumentar sensivelmente a emissão sonora e de vibrações para o período completo de trabalho.

Para uma estimativa exata da emissão sonora e de vibrações, também deveriam ser considerados os períodos nos quais o aparelho está desligado ou funciona, mas não está sendo utilizado. Isto pode reduzir a emissão sonora e de vibrações durante o completo período de trabalho.

Além disso também deverão ser estipuladas medidas de segurança para proteger o operador contra o efeito de vibrações, como por exemplo: manutenção de ferramentas elétricas e acessórios, manter as mãos quentes e organização dos processos de trabalho.

Montagem

- ▶ **A bateria deverá ser retirada antes de todos os trabalhos na ferramenta elétrica (p. ex. manutenção, troca de ferramenta etc.) e antes de transportar ou de armazenar a mesma.** Há perigo de ferimentos se o interruptor de ligar/desligar for acionado involuntariamente.

Carregar a bateria

- ▶ **Utilize apenas os carregadores listados nos dados técnicos.** Só estes carregadores são apropriados para os baterias de lítio utilizadas para a sua ferramenta elétrica.

Nota: A bateria é fornecida parcialmente carregada. Para assegurar a completa potência da bateria, a bateria deverá ser carregada completamente no carregador antes da primeira utilização.

A bateria de lítio pode ser carregada a qualquer altura, sem que a sua vida útil seja reduzida. Uma interrupção do processo de carga não danifica a bateria.

O acumulador de íões de lítio está protegido contra descarga completa pelo sistema "Electronic Cell Protection (ECP)". A ferramenta elétrica é desligada através de um disjuntor de proteção, logo que o acumulador estiver descarregado. A ferramenta de trabalho não se movimenta mais.

Observe as indicações sobre a eliminação de forma ecológica.

Retirar a bateria

A bateria (7) possui dois níveis de travamento, que devem evitar, que a bateria caia, caso a tecla de desbloqueio (8) seja premida por acaso. Enquanto a bateria estiver dentro da ferramenta elétrica, ela é mantido em posição por uma mola.

Para retirar a bateria (7) pressione a tecla de desbloqueio (8) e puxe a bateria para a retirar da ferramenta elétrica.

Não empregar força.

Indicador do nível de carga da bateria

Os LEDs verdes do indicador do nível de carga da bateria (14) indicam o nível de carga da bateria (7). Por motivos de segurança, a consulta do nível de carga só é possível com a ferramenta elétrica parada.

Prima a tecla indicador do nível de carga (15), para visualizar o nível de carga. Isto também é possível com a bateria removida.

Se depois de premir a tecla indicador do nível de carga (15) não se acender qualquer LED, a bateria tem defeito e tem de ser substituída.

Tipo de bateria GBA 18V... (ver figura D1)

LEDs	Capacidade
Luz permanente 3× verde	60–100 %
Luz permanente 2× verde	30–60 %
Luz permanente 1× verde	5–30 %
Luz intermitente 3× verde	0–5 %

Tipo de bateria ProCORE18V... (ver figura D2)

LEDs	Capacidade
Luz permanente 5× verde	80–100 %
Luz permanente 4× verde	60–80 %
Luz permanente 3× verde	40–60 %
Luz permanente 2× verde	20–40 %
Luz permanente 1× verde	5–20 %
Luz intermitente 1× verde	0–5 %

Troca de ferramenta (ver figura A)

- ▶ **A bateria deverá ser retirada antes de todos os trabalhos na ferramenta elétrica (p. ex. manutenção, troca de ferramenta etc.) e antes de transportar ou de armazenar a mesma.** Há perigo de ferimentos se o interruptor de ligar/desligar for acionado involuntariamente.

Com o interruptor de ligar/desligar não pressionado (11) é fixado o veio de perfuração. Isto possibilita uma troca rápida, confortável e fácil da ferramenta de trabalho no mandril de brocas.

Abra a bucha de aperto rápido (2) rodando no sentido ➊ até a ferramenta poder ser inserida. Introduzir a ferramenta.

Aperte bem à mão a bucha da bucha de aperto rápido (2) no sentido de rotação . A bucha fica assim automaticamente bloqueada.

Aspiração de pó/de aparas

Pós de materiais como por exemplo, tintas que contém chumbo, alguns tipos de madeira, minerais e metais, podem ser nocivos à saúde. O contacto ou a inalação dos pós pode provocar reações alérgicas e/ou doenças nas vias respiratórias do utilizador ou das pessoas que se encontrem por perto.

Certos pós, como por exemplo pó de carvalho e faia são considerados como sendo cancerígenos, especialmente quando juntos com substâncias para o tratamento de madeiras (cromato, preservadores de madeira). Material que contém asbesto só deve ser processado por pessoal especializado.

- Assegurar uma boa ventilação do local de trabalho.
- É recomendável usar uma máscara de proteção respiratória com filtro da classe P2.

Observe as diretivas para os materiais a serem processados, vigentes no seu país.

- **Evite a acumulação de pó no local de trabalho.** Pós podem entrar levemente em ignição.

Funcionamento

Colocação em funcionamento

Colocar a bateria

Nota: A utilização de baterias não indicadas para a sua ferramenta elétrica pode causar falhas de funcionamento ou danos na ferramenta elétrica.

Introduza a bateria (7) carregada pela frente, na base da ferramenta elétrica, até a bateria estar travada com firmeza.

Ajustar o sentido de rotação (ver figura B)

Com o comutador de sentido de rotação (10) é possível alterar o sentido de rotação da ferramenta elétrica. Com o interruptor de ligar/desligar pressionado (11) isto no entanto não é possível.

Rotação à direita: Para furar e apertar parafusos prima o comutador do sentido de rotação (10) completamente para a esquerda.

Rotação à esquerda: para soltar ou retirar os parafusos pressione o conversor do sentido de rotação (10) para trás até ao batente.

Ajustar o modo de operação



Furar

GSR

Ajuste o anel de ajuste para a pré-seleção do binário (3) para o símbolo "Furar".

GSB

Coloque o seletor do modo de operação (4) no símbolo "Furar".



Parafusos

GSR

Ajuste o anel de ajuste para a pré-seleção do binário (3) para o binário desejado.

GSB

Coloque o seletor do modo de operação (4) no símbolo "Aparafusar".



Furar com percussão (GSB)

Coloque o seletor do modo de operação (4) no símbolo "Furar com percussão".

Ligar e desligar

Para a **colocação em funcionamento** da ferramenta elétrica deverá pressionar o interruptor de ligar/desligar (11) e mantenha-o pressionado.

O LED (9) acende-se com o interruptor para ligar/desligar (11) completamente ou ligeiramente premido e permite iluminar o local de trabalho em caso de condições de iluminação desfavoráveis.

Para **desligar** a ferramenta elétrica, liberte o interruptor de ligar/desligar (11).

Ajustar o número de rotações

Pode regular a velocidade da ferramenta elétrica ligada de forma contínua, consoante a pressão que faz no interruptor de ligar/desligar (11).

Uma leve pressão sobre o interruptor de ligar/desligar (11) proporciona um número de rotações baixo.

Aumentando a pressão, é aumentado o n.º de rotações.

Pré-selecionar o binário (válido para modo de operação aparafusar)

Com o anel de ajuste da pré-seleção do binário (3) pode pré-selecionar o binário necessário em 20 níveis. Assim que o binário ajustado seja alcançado, a ferramenta elétrica é parada.

Regulação mecânica da velocidade

- **Acione o seletor de velocidade (5) apenas com a ferramenta elétrica parada.**

1.ª velocidade:

Baixa gama de número de rotações; para trabalhar com grandes diâmetros de perfuração ou para aparafusar.

2.ª velocidade:

Alta gama de número de rotações; para trabalhar com pequeno diâmetro de perfuração.

- **Sempre empurrar o seletor de velocidade até o fim.**

Caso contrário é possível que a ferramenta elétrica seja danificada.

Indicador da proteção contra sobrecarga

Numa utilização correta, a ferramenta elétrica não pode ser sobrecarregada. Em caso de sobrecarga ou saída da faixa de temperatura de operação permitida, o número de rotações é reduzido. A ferramenta elétrica só volta ao número de rotações máximo depois de atingida a temperatura de operação permitida.

Bloqueio automático do veio (Auto-Lock)

Com o interruptor de ligar/desligar não pressionado (11) é fixado o veio de perfuração e, conseqüentemente, o encabadouro.

Isso permite enroscar parafusos mesmo com a bateria descarregada ou rodar a ferramenta elétrica como chave de parafusos.

Instruções de trabalho

- ▶ **Só coloque a ferramenta elétrica no parafuso quando esta está desligada.** As ferramentas de trabalho em rotação podem escorregar.

Antes de atarraxar parafusos, mais longos e maiores, em materiais duros, deveria furar com o diâmetro do núcleo da rosca até aproximadamente 2/3 do comprimento do parafuso.

Para retirar a ponta de aparafusar ou porta-bits universal, não pode ser usada uma ferramenta auxiliar.

Manutenção e assistência técnica

Manutenção e limpeza

- ▶ **A bateria deverá ser retirada antes de todos os trabalhos na ferramenta elétrica (p. ex. manutenção, troca de ferramenta etc.) e antes de transportar ou de armazenar a mesma.** Há perigo de ferimentos se o interruptor de ligar/desligar for acionado involuntariamente.
- ▶ **Manter a ferramenta elétrica e as aberturas de ventilação sempre limpas, para trabalhar bem e de forma segura.**

Serviço pós-venda e aconselhamento

O serviço pós-venda responde às suas perguntas a respeito de serviços de reparação e de manutenção do seu produto, assim como das peças sobressalentes. Desenhos explodidos e informações acerca das peças sobressalentes também em: www.bosch-pt.com

A nossa equipa de consultores Bosch esclarece com prazer todas as suas dúvidas a respeito dos nossos produtos e acessórios.

Indique para todas as questões e encomendas de peças sobressalentes a referência de 10 dígitos de acordo com a placa de características do produto.

Portugal

Robert Bosch LDA
Avenida Infante D. Henrique
Lotes 2E – 3E
1800 Lisboa

Para efetuar o seu pedido online de peças entre na página www.ferramentasbosch.com.
Tel.: 21 8500000
Fax: 21 8511096

Brasil

Robert Bosch Ltda. – Divisão de Ferramentas Elétricas
Caixa postal 1195 – CEP: 13065-900

Campinas – SP
Tel.: 0800 7045 446
www.bosch.com.br/contato

Transporte

As baterias de íões de lítio, contidas, estão sujeitas ao direito de materiais perigosos. As baterias podem ser transportadas na rua pelo utilizador, sem mais obrigações.

Na expedição por terceiros (por ex: transporte aéreo ou expedição), devem ser observadas as especiais exigências quanto à embalagem e à designação. Neste caso é necessário consultar um especialista de materiais perigosos ao preparar a peça a ser trabalhada.

Só enviar baterias se a carcaça não estiver danificada. Colar contactos abertos e embalar a bateria de modo que não possa se movimentar dentro da embalagem. Por favor observe também eventuais diretivas nacionais suplementares.

Eliminação



As ferramentas elétricas, as baterias, os acessórios e as embalagens devem ser enviados a uma reciclagem ecológica de matéria prima.



Não deitar ferramentas elétricas e baterias/pilhas no lixo doméstico!

Baterias/pilhas:

Lítio:

Observar as indicações no capítulo Transporte (ver "Transporte", Página 25).

中文

安全规章

电动工具通用安全警告

警告！ 阅读随电动工具提供的所有安全警告、说明、图示和规定。不遵照以下所列说明会导致电击、着火和/或严重伤害。

保存所有警告和说明书以备查阅。

警告中的术语“电动工具”是指市电驱动（有线）电动工具或电池驱动（无线）电动工具。

工作场地的安全

- ▶ **保持工作场地清洁和明亮。** 杂乱和黑暗的场地会引发事故。
- ▶ **不要在易爆环境，如有易燃液体、气体或粉尘的环境下操作电动工具。** 电动工具产生的火花会点燃粉尘或气体。

- ▶ **操作电动工具时，远离儿童和旁观者。** 注意力不集中会使你失去对工具的控制。

电气安全

- ▶ **电动工具插头必须与插座相配。绝不能以任何方式改装插头。** 需接地的电动工具不能使用任何转换插头。未经改装的插头和相配的插座将降低电击风险。
- ▶ **避免人体接触接地表面，如管道、散热片和冰箱。** 如果你身体接触接地表面会增加电击风险。
- ▶ **不得将电动工具暴露在雨中或潮湿环境中。** 水进入电动工具将增加电击风险。
- ▶ **不得滥用软线。** 绝不能用软线搬运、拉动电动工具或拔出其插头。使软线远离热源、油、锐边或运动部件。受损或缠绕的软线会增加电击风险。
- ▶ **当在户外使用电动工具时，使用适合户外使用的延长线。** 适合户外使用的电线将降低电击风险。
- ▶ **如果无法避免在潮湿的环境中操作电动工具，应使用带有剩余电流装置（RCD）保护的电源。** RCD的使用可降低电击风险。

人身安全

- ▶ **保持警觉，当操作电动工具时关注所从事的操作并保持清醒。当你感到疲倦，或在有药物、酒精或治疗反应时，不要操作电动工具。** 在操作电动工具时瞬间的疏忽会导致严重人身伤害。
- ▶ **使用个人防护装置。始终佩戴护目镜。** 防护装置，诸如适当条件下使用防尘面具、防滑安全鞋、安全帽、听力防护等装置能减少人身伤害。
- ▶ **防止意外启动。在连接电源和/或电池包、拿起或搬运工具前确保开关处于关断位置。** 手指放在开关上搬运工具或开关处于接通时通电会导致危险。
- ▶ **在电动工具接通之前，拿掉所有调节钥匙或扳手。** 遗留在电动工具旋转零件上的扳手或钥匙会导致人身伤害。
- ▶ **手不要过分伸展。时刻注意立足点和身体平衡。** 这样能在意外情况下能更好地控制住电动工具。
- ▶ **着装适当。不要穿宽松衣服或佩戴饰品。** 让你的头发和衣服远离运动部件。宽松衣服、佩饰或长发可能会卷入运动部件。
- ▶ **如果提供了与排屑、集尘设备连接用的装置，要确保其连接完好且使用得当。** 使用集尘装置可降低尘屑引起的危险。
- ▶ **不要因为频繁使用工具而产生的熟悉感而掉以轻心，忽视工具的安全准则。** 某个粗心的动作可能在瞬间导致严重的伤害。

电动工具使用和注意事项

- ▶ **不要勉强使用电动工具，根据用途使用合适的电动工具。** 选用合适的按照额定值设计的电动工具会使你工作更有效、更安全。
- ▶ **如果开关不能接通或关断电源，则不能使用该电动工具。** 不能通过开关来控制的电动工具是危险的且必须进行修理。
- ▶ **在进行任何调节、更换附件或贮存电动工具之前，必须从电源上拔掉插头和/或卸下电池包（如可拆卸）。** 这种防护性的安全措施降低了电动工具意外启动的风险。
- ▶ **将闲置不用的电动工具贮存在儿童所及范围之外，并且不允许不熟悉电动工具和不了解这些说明的人操作电动工具。** 电动工具在未经培训的使用者手中是危险的。
- ▶ **维护电动工具及其附件。检查运动部件是否调整到位或卡住，检查零件破损情况和影响电动工具运行的其他状况。** 如有损坏，应在使用前修理好电动工具。许多事故是由维护不良的电动工具引发的。
- ▶ **保持切削刀具锋利和清洁。** 维护良好地有锋利切削刃的刀具不易卡住而且容易控制。
- ▶ **按照使用说明书，并考虑作业条件和要进行的作业来选择电动工具、附件和工具的刀头等。** 将电动工具用于那些与其用途不符的操作可能会导致危险情况。
- ▶ **保持手柄和握持表面干燥、清洁，不得沾有油脂。** 在意外的情况下，湿滑的手柄不能保证握持的安全和对工具的控制。

电池式工具使用和注意事项

- ▶ **只用制造商规定的充电器充电。** 将适用于某种电池盒的充电器用到其他电池盒时会发生着火危险。
- ▶ **只有在配有专用电池盒的情况下才使用电动工具。** 使用其他电池盒会发生损坏和着火危险。
- ▶ **当电池盒不用时，将它远离其他金属物体，例如回形针、硬币、钥匙、钉子、螺钉或其他小金属物体，以防一端与另一端连接。** 电池端部短路会引起燃烧或火灾。
- ▶ **在滥用条件下，液体会从电池中溅出；避免接触。如果意外碰到了，用水冲洗。如果液体碰到了眼睛，还要寻求医疗帮助。** 从电池中溅出的液体会发生腐蚀或燃烧。

- ▶ **不要使用损坏的或更改过的电池组或工具。**损坏或更改过的电池可能导致不可预料的情况发生，有着火、爆炸或受伤的风险。
- ▶ **不要将电池组或工具暴露于火焰或高温情况下。**火焰或超过130°C的温度可能会引起爆炸。
- ▶ **遵守所有充电说明，给电池组或工具充电时不要超出说明中规定的温度范围。**错误充电或温度超出规定的范围可能会损坏电池并提高着火的风险。

维修

- ▶ **由专业维修人员使用相同的备件维修电动工具。**这将保证所维修的电动工具的安全。
- ▶ **不要对损坏的电池组进行保养。**只能由制造商或授权的服务商进行电池组的维护保养。

针对钻机和起子机的安全规章

适用于全部操作的安全说明

- ▶ **带耳罩进行冲击作业。**暴露于噪声环境会导致失聪。
- ▶ **如果在操作期间，切割工具或者紧固件可能接触暗线，要握住电动工具的绝缘握持面。**切割工具一旦接触“带电”导线，可能会使电动工具外露的金属部件“带电”，并使操作员触电。

当使用长钻头时的安全说明

- ▶ **操作时切勿超出钻头的最大额定转速。**在较高转速下，如果让钻头在不接触工件的情况下随意旋转，很可能导致其弯折，从而引发人身伤害。
- ▶ **务必以低转速开始钻孔，并让钻头尖端与工件接触。**在较高转速下，如果让钻头在不接触工件的情况下随意旋转，很可能导致其弯折，从而引发人身伤害。
- ▶ **施压时务必与钻头成一直线，且不得施加过大压力。**若钻头弯折会导致其损坏或失控，从而引发人身伤害。

其它安全规章

- ▶ **请紧握电动工具。**拧紧和拧松螺丝时可能短时出现高反应扭矩。
- ▶ **固定好工件。**使用固定装置或老虎钳固定工件，会比用手紧握工件更牢固。
- ▶ **使用合适的侦测装置侦察隐藏的电线，或者向当地的相关单位寻求支援。**接触电线可能引起火灾并让操作者触电。损坏了瓦斯管会引起爆炸。如果水管被刺穿了会导致财物损失。
- ▶ **等待电动工具完全静止后才能够放下机器。**机器上的工具可能在工作中被夹住，而令您无法控制电动工具。

- ▶ **如果充电电池损坏或者未按照规定使用，充电电池中会散发出有毒蒸汽。充电电池可能会燃烧或爆炸。**工作场所必须保持空气流通，如果身体有任何不适必须马上就医。蒸汽会刺激呼吸道。
- ▶ **切勿打开充电电池。**可能造成短路。
- ▶ **钉子、螺丝刀等尖锐物品或外力作用可能会损坏充电电池。**有可能出现内部短路、蓄电池燃烧、发出烟雾、爆炸或过热。
- ▶ **只能将此充电电池用在制造商的产品中。**这样才能确保充电电池不会过载。



保护充电电池免受高温（例如长期阳光照射）、火焰、脏污、水和湿气的侵害。有爆炸和短路的危险。



- ▶ **当工具刀头被夹住时，请立即关闭电动工具。以防反作用力矩导致反弹。**当电动工具过载或向待加工工件倾斜时，工具刀头就会卡住。

产品和性能说明



请阅读所有安全规章和指示。不遵照以下警告和说明可能导致电击、着火和/或严重伤害。

请注意本使用说明书开头部分的图示。

按照规定使用

本电动工具用于拧紧和松开螺丝以及在木材、金属、陶瓷和塑料上钻孔。GSB还可以用于在砖块、砖墙和岩石上进行冲击钻。

插图上的机件

机件的编号和电动工具详解图上的编号一致。

- (1) 工具夹头
- (2) 快速夹头
- (3) 扭矩预选调节环
- (4) 运行模式选择开关（GSB）
- (5) 选档开关
- (6) 腰带夹
- (7) 充电电池^{A)}
- (8) 充电电池解锁按钮^{A)}
- (9) 工作灯（LED）
- (10) 正逆转开关
- (11) 起停开关
- (12) 钻头夹持器^{A)}

(13) 手柄 (绝缘握柄)

(14) 充电电池电量指示灯^{A)}(15) 充电电量指示灯按钮^{A)}

A) 图表或说明上提到的附件，并不包含在基本的供货范围中。本公司的附件清单中有完整的附件供应项目。

技术参数

充电式电钻起子机 充电式冲击钻起子机		GSR 18V-50	GSB 18V-50
物品代码		3 601 JH5 0..	3 601 JH5 1..
额定电压	伏特=	18	18
空转转速 ^{A)}			
- 第1档	转/分钟	0-460	0-460
- 第2档	转/分钟	0-1800	0-1800
冲击次数 ^{A)}	次/分钟	-	0-27 000
硬拧转/软拧转的最大扭力 ^{A)}	牛米	50/28	50/28
最大钻孔直径 (第1/第2档)			
- 木材	毫米	35	35
- 钢	毫米	13	13
- 砖墙	毫米	-	13
夹头的夹紧范围	毫米	1.5-13	1.5-13
最大螺栓直径	毫米	10	10
重量符合EPTA-Procedure 01:2014 ^{A)}	公斤	1.4-2.4	1.4-2.5
允许的环境温度			
- 充电时	摄氏度	0至+35	0至+35
- 工作时 ^{B)} 和存放时功率受限	摄氏度	-20至+50	-20至+50
推荐的充电电池		GBA 18V... ProCORE18V...	GBA 18V... ProCORE18V...
推荐的充电器		GAL 18... GAX 18... GAL 36...	GAL 18... GAX 18... GAL 36...

A) 视所使用的充电电池而定

B) 温度<0 摄氏度时功率受限

噪音/震动值

		GSR 18V-50	GSB 18V-50
根据EN 62841-2-1确定噪音排放值。			
评价为A的电动工具噪音水平通常为			
声压水平	分贝 (A)	72,5	88
声功率水平	分贝 (A)	83,5	99
不确定性系数K	分贝	5	5
佩戴听力保护装置！			
根据EN 62841-2-1确定振动总值 a_n (三个方向的矢量和) 和不确定性系数K。			
在金属上钻孔:			
a_n	米/秒平方	2	1
K	米/秒平方	1,5	1,5
在混凝土中锤钻:			

		GSR 18V-50	GSB 18V-50
a _h	米/秒平方	-	11
K	米/秒平方	-	1,5

本使用说明书中提供的振动水平和噪音发射值是根据一个标准化测量方式所测得的，因此可以用来在电动工具之间进行比较。也适用于振动和噪音发射的初步评估。

该振动水平和噪音发射值代表着电动工具用于主要用途时的数值。但是，如果将电动工具挪作他用、使用有所偏差的工具刀头或保养不利，振动水平和噪音发射值可能会不同。这样在整个工作时间内会明显地提高振动和噪音发射量。

为了准确地评估振动和噪音发射，还必须考虑到关机的时间以及开机后尚未正式工作之前的待命时间。这样在整个工作时间内会明显地降低振动和噪音发射量。

请制定用以保护操作者免受振动影响的附加安全措施，例如：电动工具和工具刀头的保养、手部保暖、工作流程组织。

安装

- ▶ 在电动工具上进行任何维护的工作（例如维修，更换工具等等），以及搬运、保存电动工具之前都必须从机器中取出蓄电池。无意间操作开关可能会造成伤害。

为充电电池充电

- ▶ 请只使用在技术参数中列出的充电器。只有这些充电器才适用于本电动工具上的锂离子电池。

提示：充电电池在交货时只完成部分充电。首度使用电动工具之前，必须先充足充电电池的电量以确保充电电池的功率。

可以随时为锂离子电池充电，不会缩短电池的使用寿命。如果充电过程突然中断，也不会损坏电池。本锂离子电池配备了电池电子保护装置 "Electronic Cell Protection (ECP)"，可以防止电池过度放电。电池的电量如果用尽了，保护开关会自动关闭电动工具：安装在机器上的工具刀头会停止转动。

请注意有关作废处理的规定。

取出蓄电池

本充电电池(7)具备双重锁定功能，即使不小心触动了充电电池的解锁按钮(8)，充电电池也不会从机器中掉落下来。只要充电电池安装在电动工具中，就会被弹簧固定在其位置上。

如需取下电池(7)，则请按压解锁按钮(8)，并将电池从电动工具中拔出。在此过程中请勿过度用力。

充电电池电量指示灯

充电电池电量指示灯(14)的绿色LED显示充电电池(7)的电量。基于安全原因，只能在电动工具静止时检查充电电池的电量。

按压充电电量指示灯(15)按钮可显示充电电量。也可以在充电电池取下时操作。

如果按压充电电量指示灯(15)按钮后没有LED亮起，则说明充电电池损坏，必须进行更换。

充电电池型号GBA 18V... (见图D1)

LED	电量
3个绿灯常亮	60-100 %
2个绿灯常亮	30-60 %
1个绿灯常亮	5-30 %
3个绿灯闪烁	0-5 %

充电电池型号ProCORE18V... (见图D2)

LED	电量
5个绿灯常亮	80-100 %
4个绿灯常亮	60-80 %
3个绿灯常亮	40-60 %
2个绿灯常亮	20-40 %
1个绿灯常亮	5-20 %
1个绿灯闪烁	0-5 %

更换刀具 (参见插图A)

- ▶ 在电动工具上进行任何维护的工作（例如维修，更换工具等等），以及搬运、保存电动工具之前都必须从机器中取出蓄电池。无意间操作开关可能会造成伤害。

电源开关(11)未按下时可锁定钻轴。这样就能快速便捷地更换钻夹头中的工具刀头。

沿着方向①转动，打开快速夹头(2)，直至可以插入刀具。安装好刀具。

沿着旋转方向②用手使劲转动快速夹头(2)的衬套。

由此钻夹头会被自动锁止。

抽吸粉尘/切屑

含铅的颜料以及某些木材、矿物和金属的加工废尘有害健康。机器操作者或者工地附近的人如果接触、吸入这些废尘，可能会有过敏反应或者感染呼吸道疾病。

某些尘埃（例如加工橡木或山毛榉的废尘）可能致癌，特别是和处理木材的添加剂（例如木材的防腐

剂) 结合之后。只有经过专业训练的人才能够加工含石棉的物料。

- 工作场所要保持空气流通。
- 最好佩戴P2滤网等级的口罩。

请留心并遵守贵国和加工物料有关的法规。

- ▶ **避免让工作场所堆积过多的尘垢。** 尘埃容易被点燃。

运行

投入使用

安装充电电池

提示：如果使用的充电电池与电动工具不匹配，则可能会导致功能失灵或电动工具损坏。

将充好电的充电电池(7)从前部推入电动工具脚架中，直至充电电池牢牢锁定。

调整旋转方向 (见图片B)

通过正逆转开关(10)可以更改电动工具的旋转方向。

按下起停开关(11)后无法更改。

正转：钻孔和旋入螺栓时，向左按压正逆转开关(10)直至极限位置。

逆转：松开或拧出螺丝和螺母时，向右按压正逆转开关(10)直至极限位置。

设置运行模式



钻孔

GSR

将扭矩预选调节环(3)调到“钻孔”图标上。

GSB

将运行模式选择开关(4)调到“钻孔”图标上。



拧螺丝

GSR

将扭矩预选调节环(3)调到需要的扭矩上。

GSB

将运行模式选择开关(4)调到“拧螺丝”图标上。



冲击钻 (GSB)

将运行模式选择开关(4)调到“冲击钻”图标上。

接通/关闭

将电动工具**投入使用**时按压起停开关(11)并按住。

轻按或将起停开关(11)按到底时，LED灯(9)会亮起，在照明状态不佳的环境中可以借此照亮操作位置。

关闭电动工具时，请松开起停开关(11)。

调整转速

根据按压起停开关(11)的程度，可以无级调节已接通的电动工具的转速。

轻按起停开关(11)，转速低。逐渐在开关上加压，转速也会跟着提高。

预选扭矩 (适用于旋螺栓工作模式)

用扭矩预选调节环(3)可在20个档位中预选所需的扭矩。一旦达到设置的扭矩，工具就会停下。

机械式选档

- ▶ **只能在电动工具静止时操纵选档开关(5)。**

第1档：

低转速范围；适用于钻孔直径较大时或拧螺丝时。

第2档：

高转速范围；适用钻孔直径较小时。

- ▶ **始终将档位选择开关推至极限位置。** 否则可能会损坏电动工具。

温感式过载保护装置

按照规定使用时不会造成电动工具过载。负荷过大或超出允许的工作温度范围会导致转速降低。本电动工具在达到了允许的工作温度后才能再次以满转速运行。

全自动主轴锁定功能 (Auto-Lock)

起停开关(11)未按下时可锁定钻轴，从而锁住工具夹头。

因此，即使充电电池没电了，也可以使用本电动工具拧入螺丝，换句话说，也可以使用本机器充当螺丝起子。

工作提示

- ▶ **先关闭电动工具，然后再放置在螺栓上。** 旋转的工具刀头可能会滑开。

把大的、长的螺丝拧入坚硬的物料中之前，必须根据螺纹的中心直径预钻孔，预钻孔的深度大概为螺丝长度的2/3。

要去除螺丝批嘴或通用批嘴套筒，可以使用辅助工具。

维修和服务

维护和清洁

- ▶ **在电动工具上进行任何维护的工作 (例如维修，更换工具等等)，以及搬运、保存电动工具之前**

都必须从机器中取出蓄电池。无意间操作开关可能会造成伤害。

- ▶ **电动工具和通气孔必须随时保持清洁，以确保工作效率和工作安全。**

客户服务和应用咨询

本公司顾客服务处负责回答有关本公司产品的修理、维护和备件的问题。备件的展开图纸和信息也可查看：www.bosch-pt.com

博世应用咨询团队乐于就我们的产品及其附件问题提供帮助。

询问和订购备件时，务必提供机器铭牌上标示的10位数物品代码。

中国大陆

博世电动工具（中国）有限公司
中国 浙江省 杭州市
滨江区 滨康路567号
102/1F 服务中心
邮政编码：310052

电话：(0571)8887 5566 / 5588

传真：(0571)8887 6688 x 5566# / 5588#

电邮：bsc.hz@cn.bosch.com

www.bosch-pt.com.cn

搬运

随着机器一起供货的锂离子充电电池必须符合危险物品法规。使用者无须另外使用保护包装便可以运送该充电电池。

但是如果将它交由第三者运送（例如：寄空运或委托运输公司）则要使用特殊的包装和标示。此时必须向危险物品专家请教有关寄送危险物品的相关事宜。

确定充电电池的外壳未受损后，才可以寄送充电电池。粘好未加盖的触点并包装好充电电池，不可以让充电电池在包装中晃动。必要时也得注意各国有关的法规。

处理废弃物



必须以符合环保的方式，回收再利用损坏的电动工具、充电电池、附件和废弃的包装材料。



不可以把电动工具和充电电池/蓄电池丢入一般的家庭垃圾中！

充电电池/电池：

锂离子：

请注意“搬运”段落中的指示（参见“搬运”，页 31）确认设置。

产品中有害物质的名称及含量

部件名称	有害物质					
	铅 (Pb)	汞 (Hg)	镉 (Cd)	六价铬 (Cr ⁶⁺)	多溴联苯 (PBB)	多溴二苯醚 (PBDE)
外壳的金属部分	○	○	○	○	○	○
外壳的非金属部分	○	○	○	○	○	○
机械传动机构	X	○	○	○	○	○
电机组件	X	○	○	○	○	○
控制组件	X	○	○	○	○	○
附件	○	○	○	○	○	○
配件	○	○	○	○	○	○
连接件	X	○	○	○	○	○
电源线* ①	○	○	○	○	○	○
电池系统* ②	X	○	○	○	○	○

本表格依据SJ/T11364 的规定编制。

○：表示该有害物质在该部件所有均质材料中的含量均在GB/T 26572 规定的限量要求以下。

X：表示该有害物质至少在该部件的某一均质材料中的含量超出GB/T 26572 规定的限量要求。且目前业界没有成熟的替代方案，符合欧盟RoHS 指令环保要求。

① 适用于采用电源线连接供电的产品。

② 适用于采用充电电池供电的产品。

产品环保使用期限内的使用条件参见产品说明书。

繁體中文

安全注意事項

電動工具一般安全注意事項

警告 請詳讀工作臺及電動工具的所有安全警告與使用說明。若不遵照以下列出的指示，將可能導致電擊、著火和 / 或人員重傷。

保存所有警告和說明書以備查閱。

在所有警告中，「電動工具」此一名詞泛指：以市電驅動的（有線）電動工具或是以電池驅動的（無線）電動工具。

工作場地的安全

- ▶ 保持工作場地清潔和明亮。混亂和黑暗的場地會引發事故。
- ▶ 不要在易燃環境，如有易燃液體、氣體或粉塵的環境下操作電動工具。電動工具產生的火花會點燃粉塵或氣體。
- ▶ 讓兒童和旁觀者離開後操作電動工具。注意力不集中會使您失去對工具的控制。

電氣安全

- ▶ 電動工具插頭必須與插座相配。絕不能以任何方式改裝插頭。需接地的電動工具不能使用任何轉換插頭。未經改裝的插頭和相配的插座將減少電擊危險。
- ▶ 避免人體接觸接地表面，如管道、散熱片和冰箱。如果您身體接地會增加電擊危險。
- ▶ 不得將電動工具暴露在雨中或潮濕環境中。水進入電動工具將增加電擊危險。
- ▶ 不得濫用電線。絕不能用電線搬運、拉動電動工具或拔出其插頭。使電線遠離熱源、油、銳利邊緣或移動零件。受損或纏繞的軟線會增加電擊危險。
- ▶ 當在戶外使用電動工具時，使用適合戶外使用的延長線。適合戶外使用的軟線，將減少電擊危險。
- ▶ 如果在潮濕環境下操作電動工具是不可避免的，應使用剩餘電流動作保護器（RCD）。使用RCD可降低電擊危險。

人身安全

- ▶ 保持警覺，當操作電動工具時關注所從事的操作並保持清醒。當您感到疲倦，或在有藥物、酒精或治療反應時，不要操作電動工具。在操作電動工具時瞬間的疏忽會導致嚴重人身傷害。

- ▶ 使用個人防護裝置。始終佩戴護目鏡。安全裝置，諸如適當條件下使用防塵面具、防滑安全鞋、安全帽、聽力防護等裝置能減少人身傷害。
- ▶ 防止意外起動。確保開關在連接電源和 / 或電池盒、拿起或搬運工具時處於關閉位置。手指放在已接通電源的開關上或開關處於接通時插入插頭可能會導致危險。
- ▶ 在電動工具接通之前，拿掉所有調節鑰匙或扳手。遺留在電動工具旋轉零件上的扳手或鑰匙會導致人身傷害。
- ▶ 手不要伸展得太長。時刻注意立足點和身體平衡。這樣在意外情況下能很好地控制電動工具。
- ▶ 著裝適當。不要穿寬鬆衣服或佩戴飾品。讓您的衣物及頭髮遠離運動部件。寬鬆衣服、佩飾或長髮可能會捲入運動部件中。
- ▶ 如果提供了與排屑、集塵設備連接用的裝置，要確保他們連接完好且使用得當。使用這些裝置可減少塵屑引起的危險。
- ▶ 切勿因經常使用工具所累積的熟練感而過度自信，輕忽工具的安全守則。任何一個魯莽的舉動都可能瞬間造成人員重傷。

電動工具使用和注意事項

- ▶ 不要濫用電動工具，根據用途使用適當的電動工具。選用適當設計的電動工具會使您工作更有效、更安全。
- ▶ 如果開關不能開啟或關閉工具電源，則不能使用該電動工具。不能用開關來控制的電動工具是危險的且必須進行修理。
- ▶ 在進行任何調整、更換配件或貯存電動工具之前，必須從電源上拔掉插頭並 / 或取出電池盒。這種防護性措施將減少工具意外起動的危險。
- ▶ 將閒置不用的電動工具貯存在兒童所及範圍之外，並且不要讓不熟悉電動工具或對這些說明不瞭解的人操作電動工具。電動工具在未經培訓的用戶手中是危險的。
- ▶ 保養電動工具與配備。檢查運動件是否調整到位或卡住，檢查零件破損情況和影響電動工具運行的其他狀況。如有損壞，電動工具應在使用前修理好。許多事故由維護不良的電動工具引發。
- ▶ 保持切削刀具鋒利和清潔。保養良好的有鋒利切削刃的刀具不易卡住而且容易控制。
- ▶ 按照使用說明書，考慮作業條件和進行的作業來使用電動工具、配件和工具的刀頭等。將電動工

具用於那些與其用途不符的操作可能會導致危險。

- ▶ **把手及握持區應保持乾燥、潔淨，且不得沾染任何油液或油脂。**易滑脫的把手及握持區將無法讓您在發生意外狀況時安全地抓緊並控制工具。

電池式工具使用和注意事項

- ▶ **只用製造商規定的充電器充電。**將適用於某種電池盒的充電器用到其他電池盒時會發生著火危險。
- ▶ **只有在配有專用電池盒的情況下才使用電動工具。**使用其他電池盒會發生損壞和著火危險。
- ▶ **當電池盒不用時，將它遠離其他金屬物體，例如回形針、硬幣、鑰匙、釘子、螺絲或其他小金屬物體，以防一端與另一端連接。**電池端部短路會引起燃燒或火災。
- ▶ **在濫用條件下，液體會從電池中濺出；避免接觸。**如果意外碰到了，用水沖洗。如果液體碰到了眼睛，還要尋求醫療幫助。從電池中濺出的液體會發生腐蝕或燃燒。
- ▶ **請勿使用已受損或經改裝的電池盒。**已受損或經改裝的電池組可能出現無法預期的反應，進而導致著火、爆炸或造成人員受傷。
- ▶ **勿讓電池盒或工具靠近火源或暴露於異常溫度環境中。**若是靠近火源或暴露在超過130 °C的環境中可能造成爆炸。
- ▶ **請完全遵照所有的充電說明，電池盒或工具的温度若是超出指示的規定範圍，請勿進行充電。**不當充電或是未在規定的溫度範圍內進行充電，皆可能造成電池損壞並面臨更高的著火風險。

檢修

- ▶ **將您的電動工具送交專業維修人員，必須使用同樣的備件進行更換。**這樣將確保所維修的電動工具的安全性。
- ▶ **請勿自行檢修受損的電池盒。**電池組應交由製造商或是獲得授權的服務供應商來進行檢修。

電鑽和起子機的安全注意事項

所有作業的安全說明

- ▶ **鑽孔時請戴上耳罩。**暴露在噪音下會造成聽力喪失。
- ▶ **進行作業時，負責進行切割的配件或固定釘可能會碰觸到隱藏的配線，請從絕緣處把處拿持電動工具。**負責進行切割的配件或固定釘若是觸及「導電」電線，可能導致電動工具外露的金屬部件「導電」，進而使操作人員遭受電擊。

使用長鑽頭的安全說明

- ▶ **切勿以超過鑽頭額定最高轉速的速度操作。**若鑽頭未接觸工件且以超過最高轉速的速度無負載轉動，可能會讓鑽頭彎曲並導致人員受傷。
- ▶ **請務必以低速啟動並將鑽尖確實抵住工件。**若鑽頭未接觸工件且以超過最高轉速的速度無負載轉動，可能會讓鑽頭彎曲並導致人員受傷。
- ▶ **請沿著鑽頭方向施加適當的壓力，切勿過度施壓。**鑽頭可能會彎曲並造成斷裂、失控並導致人員受傷。

其他安全注意事項

- ▶ **請牢牢握緊電動工具。**旋緊與鬆開螺栓時，瞬間可能會有較大的反作用力。
- ▶ **固定好工件。**使用固定裝置或老虎鉗固定工件，會比用手持握工件更牢固。
- ▶ **使用合適的偵測裝置偵察隱藏的電線，或者向當地的相關單位尋求支援。**接觸電線可能引起火災並讓操作者觸電。若損壞瓦斯管會引起爆炸。如果水管被刺穿會導致財物損失。
- ▶ **必須等待電動工具完全靜止後才能將它放下。**嵌件工具可能卡住而使電動工具失控。
- ▶ **如果充電電池損壞了，或者未按照規定使用充電電池，充電電池中會散發出有毒蒸氣。充電電池可能起火或爆炸。**工作場所必須保持空氣流通，如果身體有任何不適必須馬上就醫。充電電池散發的蒸氣會刺激呼吸道。
- ▶ **切勿拆開充電電池。**可能造成短路。
- ▶ **尖銳物品（例如釘子或螺絲起子）或是外力皆有可能造成充電電池損壞。**進而導致內部短路而發生電池起火、冒煙、爆炸或過熱等事故。
- ▶ **僅可使用產品的原廠充電電池。**如此才可依照產品提供過載保護。
- ▶ **如果嵌件工具被夾住了，請立刻關閉電動工具的電源。**請準備好承受反作用力所造成的反彈。電動工具過載時或當它在進行加工的工件內部歪斜時，都會造成嵌件工具被夾住不動。



保護充電電池免受高溫（例如長期日照）、火焰、污垢、水液和濕氣的侵害。有爆炸及短路之虞。



產品和功率描述



請詳讀所有安全注意事項和指示。如未遵守安全注意事項與指示，可能導致火災、人員遭受電擊及/或重傷。請留意操作說明書中最前面的圖示。

依規定使用機器

此電動工具可用來轉入或旋鬆螺絲，並且可在木材、金屬、混凝土及塑膠等材質上進行鑽孔。此外，GSB 還可在磚塊、砌牆和石材上進行衝擊鑽孔。

插圖上的機件

機件的編號和電動工具詳解圖上的編號一致。

- (1) 工具夾座
- (2) 快速夾頭
- (3) 預設扭力調整環
- (4) 操作模式選擇開關 (GSB)
- (5) 選檔開關
- (6) 腰帶夾

- (7) 充電電池^{A)}
- (8) 充電電池解鎖按鈕^{A)}
- (9) 工作燈 (LED)
- (10) 正逆轉開關
- (11) 起停開關
- (12) 工具頭夾持器^{A)}
- (13) 把手 (絕緣握柄)
- (14) 充電電池的電量指示器^{A)}
- (15) 電量指示器按鈕^{A)}

^{A)} 圖表或說明上提到的配件，並不包含在基本的供貨範圍中。本公司的配件清單中有完整的配件供應項目。

技術性數據

充電式電鑽起子機 充電式衝擊電鑽起子機		GSR 18V-50	GSB 18V-50
產品機號		3 601 JH5 0..	3 601 JH5 1..
額定電壓	V=	18	18
無負載轉速 ^{A)}			
- 1 檔	次 / 分	0-460	0-460
- 2 檔	次 / 分	0-1800	0-1800
衝擊次數 ^{A)}	次 / 分	-	0-27 000
硬材料鎖螺絲 / 軟材料鎖螺絲的最大扭力 ^{A)}	Nm	50/28	50/28
最大鑽孔直徑 (1 檔 / 2 檔)			
- 木材	mm	35	35
- 鋼材	mm	13	13
- 砌牆	mm	-	13
夾頭的夾緊範圍	mm	1.5-13	1.5-13
最大螺栓直徑	mm	10	10
重量符合 EPTA-Procedure 01:2014 ^{A)}	kg	1.4-2.4	1.4-2.5
容許環境溫度			
- 充電狀態下	°C	0 ... +35	0 ... +35
- 操作狀態下 ^{B)} 以及存放狀態下	°C	-20 ... +50	-20 ... +50
建議使用的充電電池		GBA 18V... ProCORE18V...	GBA 18V... ProCORE18V...
建議使用的充電器		GAL 18... GAX 18... GAL 36...	GAL 18... GAX 18... GAL 36...

A) 視所使用的充電蓄電池而定

B) 溫度 <0 °C 時，性能受限

噪音/震動值

GSR 18V-50

GSB 18V-50

噪音強度是依照 **EN 62841-2-1** 之規定而測得的數值。

電動工具的噪音等級評價為 A 級，其標準評估項目包含

音壓強度	dB(A)	72,5	88
聲功率位級	dB(A)	83,5	99
不確定性係數 K	dB	5	5

請佩戴耳部護具！

振動總量 a_h (三個方向的向量總和) 以及不確定性係數 K 是依照 **EN 62841-2-1** 測得。

在金屬上鑽孔:

a_h	m/s^2	2	1
K	m/s^2	1,5	1,5

對混凝土鎚擊鑽孔:

a_h	m/s^2	-	11
K	m/s^2	-	1,5

本說明書中所載述的振動值和噪音強度皆是按照標準測量程序測得，可與其他電動工具的規格直接進行比較。這些數值亦適合用於初步評估振動強度與噪音強度。

列示的振動值和噪音強度僅代表電動工具的主要用途。電動工具若是用於其他用途、使用非指定嵌件工具、或維護不當，皆可能造成振動值和噪音強度有所偏差，而使整個工作期間的振動強度和噪音強度顯著提高。

為能正確估算振動強度與噪音強度，您應將工具關機或空轉的時間一併納入考量。這麼做可使整個工作期間的振動強度和噪音強度降低。

另外請您制定一套安全措施，以免振動對操作者產生不良影響，例如：維護電動工具與嵌件工具、確保雙手保暖、適當地編排工作步驟。

安裝

- ▶ 在電動工具上進行任何維護的工作 (例如維修，更換工具等) 以及搬運和儲存電動工具之前，都必須電動工具中取出充電電池。若是不小心觸動起停開關，可能造成人員受傷。

為充電電池進行充電

- ▶ 只能選用技術性數據裡所列出的充電器。僅有這些充電器適用於電動工具所使用的鋰離子充電電池。

提示：出貨時充電電池已部分充電。首度使用電動工具之前，請先用充電器將充電電池充飽電以確保充電電池蓄滿電力。

鋰離子充電電池可隨時充電，不會縮短電池的使用壽命。如果突然中斷充電，電池也不會損壞。

鋰離子充電電池配備了電池保護裝置「Electronic Cell Protection (ECP)」，可以防止充電電池過度放電。充電電池的電量如果用盡了，保護開關會自動關閉電動工具：嵌件工具會停止轉動。

請您遵照廢棄物處理相關指示。

取出充電電池

本充電電池 (7) 具備了雙重鎖定功能，即使不小心按壓了充電電池解鎖按鈕 (8)，充電電池也不會從機器中掉落出來。固定彈簧會把充電電池夾緊在機器中。

若要取出充電電池 (7)，請按壓解鎖按鈕 (8)，然後將充電電池抽出電動工具。**不可以強行拉出充電電池。**

充電電池的電量指示器

充電電池的電量指示器 (14) 透過綠色 LED 燈告知充電電池 (7) 目前的電量。基於安全顧慮，務必在電動工具完全靜止時才能檢查充電電池的電量。

按一下電量指示器按鈕 (15) 即可顯示目前電量。即使已取出充電電池，此項功能仍可正常運作。

按一下電量指示器按鈕 (15) 後，LED 燈若未亮起，即表示充電電池故障，必須予以更換。

充電電池型號 GBA 18V... (請參考圖 D1)

LED 燈	容量
3 顆綠燈持續亮起	60-100 %
2 顆綠燈持續亮起	30-60 %
1 顆綠燈持續亮起	5-30 %
3 顆綠燈呈閃爍狀態	0-5 %

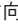
充電電池型號 ProCORE18V... (請參考圖 D2)


LED 燈	容量
5 顆綠燈持續亮起	80-100 %
4 顆綠燈持續亮起	60-80 %
3 顆綠燈持續亮起	40-60 %
2 顆綠燈持續亮起	20-40 %
1 顆綠燈持續亮起	5-20 %
1 顆綠燈呈閃爍狀態	0-5 %

更換工具 (請參考圖 A)

- ▶ 在電動工具上進行任何維護的工作 (例如維修, 更換工具等) 以及搬運和儲存電動工具之前, 都必須電動工具中取出充電電池。若是不小心觸動起停開關, 可能造成人員受傷。

未按下起停開關 (11) 時, 工具機轉軸將固定鎖死。因此能夠簡便、快速地更換夾頭上的工具。

往旋轉方向  轉動, 將快速夾頭 (2) 打開至能夠裝入工具為止。裝入工具。

往旋轉方向  徒手用力轉緊快速夾頭 (2) 的套筒。這樣做夾頭才會自動上鎖。

吸除廢塵 / 料屑

含鉛的顏料及部分木材、礦物和金屬的加工廢塵有害健康。機器操作者或者工地附近的人如果接觸、吸入這些廢塵, 可能會有過敏反應或者感染呼吸道疾病。

特定粉塵 (例如加工橡木或山毛櫸的廢塵) 可能致癌, 特別是與處理木材的添加劑 (例如木材的防腐劑等) 混合之後。只有經過專業訓練的人才允許加工含石棉的物料。

- 工作場所要保持空氣流通。

- 建議佩戴 P2 濾網等級的口罩。

請留意並遵守貴國與加工物料有關的法規。

- ▶ 避免讓工作場所堆積過多的塵垢。塵埃容易被點燃。

操作**操作機器****安裝充電電池**

提示: 若是使用非本電動工具適用的充電電池, 可能導致電動工具功能異常或損壞。

請將充好電的充電電池 (7) 從前方推入電動工具底座, 讓充電電池確實卡上。

調整旋轉方向 (請參考圖 B)

透過正逆轉開關 (10) 即可變更電動工具的旋轉方向。但按下起停開關 (11) 時, 將無法這樣做。

正轉: 若要旋入螺栓及旋緊螺母, 請將正逆轉開關 (10) 往左推到底。

逆轉: 若要鬆開或旋出螺栓與螺母, 請將正逆轉開關 (10) 往右推到底。

設定操作模式**鑽孔****GSR**

將預設扭力調整環 (3) 移至「鑽孔」符號。

GSB

將操作模式選擇開關 (4) 移至「鑽孔」符號。

**拆裝螺栓****GSR**

將預設扭力調整環 (3) 設為所需扭力。

GSB

將操作模式選擇開關 (4) 移至「螺栓」符號。

**衝擊鑽孔 (GSB)**

將操作模式選擇開關 (4) 移至「衝擊鑽孔」符號。

啟動 / 關閉

按下電源開關 (11) 不要放開, 即可讓電動工具**持續運轉**。

輕按起停開關 (11) 或完全按下時, LED (9) 隨即亮起, 可照亮光線不足的工作區域。

放開起停開關 (11), 即可讓電動工具**停止運轉**。

調整轉速

您可為已啟動的電動工具無段調控轉速, 轉速是由按壓起停開關 (11) 的深度而定。

輕按起停開關 (11) 時, 轉速較低。逐漸在開關上加壓, 轉速也會跟著提高。

預設扭力 (適用於螺栓操作模式)

預設扭力調整環 (3) 總共提供 20 段不同的扭力選擇, 您可利用它來預設所需扭力。一達到所設扭力後, 嵌件工具隨即停止運轉。

機械式選檔

- ▶ 電動工具**靜止時**, 才能操作選檔開關 (5)。

1 檔:

低轉速範圍; 適用於鑽大孔時或拆裝螺栓時。

2 檔:

高轉速範圍；適用於鑽小孔時。

- ▶ **請務必將選檔開關完全推到底。**否則可能造成電動工具損壞。

溫控的過載保護裝置

只要按照規定使用，電動工具就不可能過載。負載過重或操作溫度已超出容許範圍時，電動工具將調降轉速。待操作溫度降回至容許範圍，電動工具才會恢復為全速運轉。

全自動的主軸鎖定功能 (Auto-Lock)

未按下起停開關 (11) 時，工具機轉軸將固定不動，工具夾頭也會鎖死。

因此，即使充電電池沒電了，也可以使用本電動工具旋入螺栓，換句話說，也可以將本機器當做一般螺絲起子使用。

作業注意事項

- ▶ **電動工具應先停止運轉，然後才放到螺栓上。**轉動中的嵌件工具可能會滑開。

將較大、較長螺栓旋入堅硬材質之前，應先以螺紋孔底徑鑽孔至 2/3 螺栓長度。

拆卸螺絲起子工具頭或工具頭夾持器時，可使用輔助工具。

維修和服務

維修和清潔

- ▶ 在電動工具上進行任何維護的工作（例如維修，更換工具等）以及搬運和儲存電動工具之前，都必須電動工具中取出充電電池。若是不小心觸動起停開關，可能造成人員受傷。
- ▶ 電動工具和通風口都必須保持清潔，這樣才能夠提高工作品質和安全性。

顧客服務處和顧客咨詢中心

本公司顧客服務處負責回答有關本公司產品的維修、維護和備用零件的問題。以下的網頁中有分解圖和備用零件相關資料：www.bosch-pt.com

如果對本公司產品及其配件有任何疑問，博世應用諮詢小組很樂意為您提供協助。

當您需要諮詢或訂購備用零件時，請務必提供本產品型號銘牌上 10 位數的產品機號。

搬運

隨貨附上的鋰離子充電電池受危險物品法的規範。使用者無須另外使用保護包裝便可運送該充電電池。

但是如果將它交由第三者運送（例如：寄空運或委託運輸公司），則應遵照包裝與標示的相關要求。此時必須向危險物品專家請教有關寄送危險物品的相關事宜。

確定充電電池的外殼未受損後，才可以寄送充電電池。用膠帶貼住裸露的接點並妥善包裝充電電池，不可以讓充電電池在包裝材料中晃動。同時也應留意各國相關法規。

廢棄物處理



必須以符合環保的方式，將損壞的電動工具、充電電池、配件和包裝材料進行回收再利用。



不可以把電動工具和充電電池 / 拋棄式電池丟入一般家庭垃圾中！

充電電池 / 拋棄式電池：

鋰離子：

請注意「搬運」段落中的指示（參見「搬運」，頁 37）。

設備名稱：充電式電鑽起子機 充電式衝擊電鑽起子機，型號：GSR | GSB 18V-50

限用物質及其符號

單元	鉛 (Pb)	汞 (Hg)	鎘 (Cd)	六價鉻 (Cr ⁺⁶)	多溴聯苯 (PBB)	多溴二苯醚 (PBDE)
開關	○	○	○	○	○	○
電容器	○	○	○	○	○	○
馬達	○	○	○	○	○	○
電源線	○	○	○	○	○	○
外殼(塑料)	○	○	○	○	○	○

備考 1. "超出 0.1 wt %" 及 "超出 0.01 wt %" 係指限用物質之百分比含量超出百分比含量基準值。

備考 2. "○" 係指該項限用物質之百分比含量未超出百分比含量基準值。

備考 3. " - " 係指該項限用物質為排除項目。

ไทย

คำเตือนเพื่อความปลอดภัย

คำเตือนเพื่อความปลอดภัยทั่วไปสำหรับเครื่องมือไฟฟ้า

⚠ คำเตือน อ่านคำเตือนเพื่อความปลอดภัย คำแนะนำ ภาพประกอบ และข้อมูล

จำเพาะทั้งหมดที่จัดส่งมาพร้อมกับเครื่องมือไฟฟ้า

การไม่ปฏิบัติตามคำแนะนำทั้งหมดที่ระบุไว้ด้านล่างนี้อาจทำให้ถูกไฟฟ้าดูด เกิดไฟไหม้ และ/หรือได้รับบาดเจ็บอย่างร้ายแรง

เก็บรักษาคำเตือนและคำสั่งทั้งหมดสำหรับเปิดอ่านในภายหลัง

คำว่า "เครื่องมือไฟฟ้า" ในคำเตือนหมายถึง เครื่องมือไฟฟ้าของท่านที่ทำงานด้วยพลังงานไฟฟ้าจากแหล่งจ่ายไฟหลัก (มีสายไฟฟ้า) และเครื่องมือไฟฟ้าที่ทำงานด้วยพลังงานไฟฟ้าจากแบตเตอรี่ (ไร้สาย)

ความปลอดภัยในสถานที่ทำงาน

- ▶ **รักษาสถานที่ทำงานให้สะอาดและมีไฟส่องสว่างดี** สถานที่ที่มีมืดหรือรกรุงรังนำมาซึ่งอุบัติเหตุ
- ▶ **อย่าใช้เครื่องมือไฟฟ้าทำงานในสภาพบรรยากาศที่จุดติดไฟได้ เช่น ในที่มีมีของเหลวไวไฟ ก๊าซ หรือฝุ่น** เมื่อใช้เครื่องมือไฟฟ้าจะเกิดประกายไฟซึ่งอาจจุดฝุ่นหรือไอให้ลุกเป็นไฟได้
- ▶ **ขณะใช้เครื่องมือไฟฟ้าทำงาน ต้องกันเด็กและผู้ยี่นดูให้ออกห่าง** การหันเหความสนใจอาจทำให้ท่านขาดการควบคุมเครื่องมือ

ความปลอดภัยเกี่ยวกับไฟฟ้า

- ▶ **ปลั๊กของเครื่องมือไฟฟ้าต้องเหมาะสมพอดีกับเต้าเสียบ** อย่าตัดแปลงปลั๊กไม่ว่าในลักษณะใดๆ อย่างเด็ดขาด อย่าใช้ปลั๊กพ่วงต่อใดๆ กับเครื่องมือไฟฟ้าที่มีสายดิน ปลั๊กที่ไม่ตัดแปลงและเต้าเสียบที่เข้ากันช่วยลดความเสี่ยงจากการถูกไฟฟ้าดูด
- ▶ **หลีกเลี่ยงอย่าให้ร่างกายสัมผัสกับพื้นผิวที่ต่อสายดินหรือลงกราวด์ไว้ เช่น ท่อ เครื่องทำความร้อน เตา และตู้เย็น** จะเสี่ยงอันตรายจากการถูกไฟฟ้าดูดมากขึ้นหากกระแสไฟฟ้าวิ่งผ่านร่างกายของท่านลงดิน

- ▶ **อย่าให้เครื่องมือไฟฟ้าถูกฝนหรืออยู่ในสภาพเปียกชื้น** หากน้ำเข้าในเครื่องมือไฟฟ้า จะเพิ่มความเสี่ยงจากการถูกไฟฟ้าดูด
- ▶ **อย่าใช้สายไฟฟ้าในทางที่ผิด** อย่าใช้สายไฟฟ้าเพื่อยก ดึง หรือถอดปลั๊กเครื่องมือไฟฟ้า กั้นสายไฟฟ้าออกจากความร้อน น้ำมัน ขอบแหลมคม หรือชิ้นส่วนที่เคลื่อนที่ สายไฟฟ้าที่ชำรุดหรือพันกันยุ่งเพิ่มความเสี่ยงจากการถูกไฟฟ้าดูด
- ▶ **เมื่อใช้เครื่องมือไฟฟ้าทำงานกลางแจ้ง ให้ใช้สายไฟต่อที่เหมาะสมสำหรับการใช้งานกลางแจ้ง** การใช้สายไฟต่อที่เหมาะสมสำหรับงานกลางแจ้งช่วยลดอันตรายจากการถูกไฟฟ้าดูด
- ▶ **หากไม่สามารถหลีกเลี่ยงการใช้เครื่องมือไฟฟ้าทำงานในสถานที่เปียกชื้นได้ ให้ใช้สวิตช์ตัดวงจรเมื่อเกิดการรั่วไหลของไฟฟ้าจากสายดิน (RCD)** การใช้สวิตช์ตัดวงจรเมื่อเกิดการรั่วไหลของไฟฟ้าจากสายดินช่วยลดความเสี่ยงต่อการถูกไฟฟ้าดูด

ความปลอดภัยของบุคคล

- ▶ **ท่านต้องอยู่ในสภาพเตรียมพร้อม ระมัดระวังในสิ่งที่ท่านกำลังทำอยู่ และมีสติขณะใช้เครื่องมือไฟฟ้าทำงาน** อย่าใช้เครื่องมือไฟฟ้าขณะที่ท่านกำลังเหนื่อย หรืออยู่ภายใต้การครอบงำของฤทธิ์ของยาเสพติด แอลกอฮอล์ และยา เมื่อใช้เครื่องมือไฟฟ้าทำงานในช่วงเวลาที่ท่านขาดความเอาใจใส่อาจทำให้บุคคลบาดเจ็บอย่างรุนแรงได้
- ▶ **ใช้อุปกรณ์ปกป้องร่างกาย สวมแว่นตาป้องกันเสมอ** อุปกรณ์ปกป้อง เช่น หนวดกากันฝุ่น รองเท้ากันลื่น หมวกแข็ง หรือประภทกกันเสียงดังที่ใช้ตามความเหมาะสมกับสภาพการทำงาน จะลดการบาดเจ็บทางร่างกาย
- ▶ **ป้องกันการติดเครื่องโดยไม่ตั้งใจ ตรวจสอบให้แน่ใจว่าสวิตช์อยู่ในตำแหน่งปิดก่อนเชื่อมต่อเข้ากับแหล่งจ่ายไฟ และ/หรือแบตเตอรี่แพ็ค ยกหรือถือเครื่องมือการถือเครื่องโดยใช้นิ้วหัวที่สวิตช์ หรือเสียบปลั๊กไฟฟ้าขณะสวิตช์เปิดอยู่ อาจนำไปสู่อุบัติเหตุที่ร้ายแรงได้**
- ▶ **นำเครื่องมือปรับแต่งหรือประแจปากตายออกก่อนเปิดสวิตช์เครื่องมือไฟฟ้า** เครื่องมือหรือประแจปากตายที่วางอยู่กับส่วนของเครื่องที่กำลังหมุนจะทำให้บุคคลบาดเจ็บได้
- ▶ **อย่าเอื้อมไกลเกินไป** ตั้งทำยืนที่มั่นคงและวางน้ำหนักให้สมดุลตลอดเวลา ในลักษณะนี้ท่านสามารถควบคุมเครื่องมือไฟฟ้าในสถานการณ์ที่ไม่คาดคิดได้ดีกว่า
- ▶ **แต่งกายอย่างเหมาะสม** อย่าใส่เสื้อผ้าหลวมหรือสวมเครื่องประดับ เหน็บและเสื้อผ้ออกห่างจากชิ้นส่วนที่

เคลื่อนที่ เลื่อนผ้าหวม เครื่องประดับ และผม ยาวอาจเข้าไปติดในชิ้นส่วนที่เคลื่อนที่

- ▶ หากเครื่องมือไฟฟ้ามีข้อเชื่อมต่อกับเครื่องดูดฝุ่นหรือเครื่องเก็บผง ให้ตรวจสอบให้แน่ใจว่าได้เชื่อมต่อและใช้งานอย่างถูกต้อง การใช้อุปกรณ์ดูดฝุ่นช่วยลดอันตรายที่เกิดจากฝุ่นได้
- ▶ เมื่อใช้งานเครื่องมือขบหรือเครื่องขุด ความคุ้นเคย อย่าให้ความคุ้นเคยทำให้ท่านเกิดความชะล่าใจและละเลยกฎเกณฑ์ด้านความปลอดภัยในการใช้งานเครื่อง การทำงานอย่างไม่ระมัดระวังอาจทำให้เกิดการบาดเจ็บอย่างร้ายแรงภายในเสี้ยววินาที

การใช้และการดูแลรักษาเครื่องมือไฟฟ้า

- ▶ อย่างสม่ำเสมอเครื่องมือไฟฟ้า ใช้เครื่องมือไฟฟ้าที่ถูกต้องตรงตามลักษณะงานของท่าน เครื่องมือไฟฟ้าที่ถูกต้องจะทำงานได้ดีกว่าและปลอดภัยกว่าในระดับสมรรถภาพที่ออกแบบไว้
- ▶ อย่าใช้เครื่องมือไฟฟ้าถ้าสวิตช์ไม่สามารถเปิดปิดได้ เครื่องมือไฟฟ้าที่ไม่สามารถควบคุมการเปิดปิดด้วยสวิตช์ได้ เป็นเครื่องมือไฟฟ้าที่ไม่ปลอดภัยและต้องส่งซ่อมแซม
- ▶ ก่อนปรับแต่งเครื่อง เปลี่ยนอุปกรณ์ประกอบ หรือเก็บเครื่องเข้าที่ ต้องถอดปลั๊กออกจากแหล่งจ่ายไฟ และ/หรือถอดแบตเตอรี่แพ็คออกจากเครื่องมือไฟฟ้าหากถอดออกได้ มาตรการป้องกันเพื่อความปลอดภัยนี้ช่วยลดความเสี่ยงจากการติดเครื่องโดยไม่ตั้งใจ
- ▶ เมื่อเลิกใช้งานเครื่องมือไฟฟ้า ให้เก็บเครื่องไว้ในที่ที่เด็กหยิบไม่ถึง และไม่อนุญาตให้บุคคลที่ไม่คุ้นเคยกับเครื่องหรือบุคคลที่ไม่ได้อ่านคำแนะนำเหล่านี้ใช้เครื่องมือไฟฟ้าเป็นของอันตรายหากตกอยู่ในมือของผู้ใช้ที่ไม่ได้รับการฝึกฝน
- ▶ บำรุงรักษาเครื่องมือไฟฟ้าและอุปกรณ์ประกอบ ตรวจสอบชิ้นส่วนที่เคลื่อนที่ว่าวางไม่ตรงแนวหรือติดขัดหรือไม่ ตรวจสอบการแตกหักของชิ้นส่วนและสภาพอื่นใดที่อาจมีผลต่อการทำงานของเครื่องมือไฟฟ้า หากชำรุดต้องส่งเครื่องมือไฟฟ้าไปซ่อมแซมก่อนใช้งาน อุบัติเหตุหลายอย่างเกิดขึ้นเนื่องจากดูแลรักษาเครื่องไม่ดีพอ
- ▶ รักษาเครื่องมือตัด ให้คมและสะอาด หากบำรุงรักษาเครื่องมือที่มีขอบตัดแหลมคมอย่างถูกต้อง จะสามารถตัดได้ลื่นไม่ติดขัดและควบคุมได้ง่ายกว่า
- ▶ ใช้เครื่องมือไฟฟ้า อุปกรณ์ประกอบ เครื่องมือ และอุปกรณ์อื่น ๆ ตรงตามคำแนะนำเหล่านี้ โดยคำนึงถึงเงื่อนไขการทำงานและงานที่จะทำ การใช้เครื่อง

มือไฟฟ้าทำงานที่ต่างไปจากวัตถุประสงค์การใช้งานของเครื่อง อาจนำไปสู่สถานการณ์ที่เป็นอันตรายได้

- ▶ ดูแลคัมจับและพื้นผิวจับให้แห้ง สะอาด และปราศจากคราบน้ำมันและจาระบี คัมจับและพื้นผิวจับที่ลื่นทำให้หือจับได้ไม่ปลอดภัย และไม่สามารถควบคุมเครื่องมือในสถานการณ์ที่ไม่คาดคิด
- การใช้และการดูแลรักษาเครื่องที่ใช้แบตเตอรี่**
- ▶ ชาร์จไฟใหม่ด้วยเครื่องชาร์จที่บริษัทผู้ผลิตระบุไว้เท่านั้น เครื่องชาร์จที่เหมาะสมสำหรับชาร์จแบตเตอรี่แพ็คประเภทหนึ่ง หากนำไปชาร์จแบตเตอรี่แพ็คประเภทอื่น อาจเกิดไฟไหม้ได้
 - ▶ ใช้เครื่องมือไฟฟ้าเฉพาะกับแบตเตอรี่แพ็คที่กำหนดไว้เท่านั้น การใช้แบตเตอรี่แพ็คประเภทอื่นเสี่ยงต่อการเกิดไฟไหม้หรือบาดเจ็บ
 - ▶ เมื่อไม่ใช้งานแบตเตอรี่แพ็ค ให้เก็บไว้ห่างวัตถุที่เป็นโลหะอื่นๆ เช่น คลิปหนีบกระดาษ เหรียญ กุญแจ ตะปู สกรู หรือวัตถุที่เป็นโลหะขนาดเล็กอื่นๆ ที่สามารถเชื่อมต่อขั้วหนึ่งไปยังอีกขั้วหนึ่งได้ การลัดวงจรของขั้วแบตเตอรี่อาจทำให้เกิดการไหม้หรือไฟลุกได้
 - ▶ หากใช้แบตเตอรี่อย่างอาจมีขงเหลวไหลออกมาจากแบตเตอรี่ได้ ให้หลีกเลี่ยงการสัมผัส หากสัมผัสโดยบังเอิญ ให้ใช้น้ำล้าง หากขงของเหลวเข้าตา ให้ขอความช่วยเหลือจากแพทย์ด้วย ขงของเหลวที่ไหลออกมาจากแบตเตอรี่อาจทำให้เกิดอาการคันหรือแสบผิวหนังได้
 - ▶ อย่าใช้แบตเตอรี่แพ็คหรือเครื่องมือที่ชำรุดหรือดัดแปลง แบตเตอรี่ที่ชำรุดหรือดัดแปลงอาจแสดงอาการที่ไม่สามารถคาดเดาได้ ส่งผลให้เกิดไฟไหม้ ระเบิด หรือความเสี่ยงต่อการได้รับบาดเจ็บ
 - ▶ อย่าให้แบตเตอรี่แพ็คหรือเครื่องมือสัมผัสไฟหรืออุณหภูมิที่สูงเกินไป หากสัมผัสไฟหรืออุณหภูมิที่สูงกว่า 130 °C อาจทำให้เกิดการระเบิดได้
 - ▶ ปฏิบัติตามคำแนะนำเกี่ยวกับการชาร์จทั้งหมด และต้องไม่ชาร์จแบตเตอรี่แพ็คหรือเครื่องมือ นอกช่วงอุณหภูมิที่กำหนดในคำแนะนำ การชาร์จแบตเตอรี่อย่างไม่ถูกวิธีหรือนอกช่วงอุณหภูมิที่กำหนด อาจทำให้แบตเตอรี่เสียหายและเพิ่มความเสี่ยงต่อการเกิดไฟไหม้
- การบริการ**
- ▶ ส่งเครื่องมือไฟฟ้าของท่านเข้ารับบริการจากช่างซ่อมที่มีคุณสมบัติเหมาะสม โดยใช้อะไหล่ที่เหมือน

กันเท่านั้น ในลักษณะนี้ท่านจะแน่ใจได้ว่าเครื่องมือไฟฟ้าอยู่ในสภาพที่ปลอดภัย

- ▶ **อย่าบำรุงรักษาแบตเตอรี่แพ็คเกจที่ชำรุดอย่างเด็ดขาด** ต้องส่งให้บริษัทผู้ผลิตหรือศูนย์บริการที่ได้ รับอนุญาตทำการบำรุงรักษาแบตเตอรี่แพ็คเกจนั้น

คำเตือนเพื่อความปลอดภัย

ปลอดภัยสำหรับส่วนและ ไชควาง

คำเตือนเพื่อความปลอดภัยสำหรับการทำงานทั้งหมด

- ▶ **สวมประภพหูป้องกันเสียงดังเมื่อเจาะกระแทก** การรับฟังเสียงดังอาจทำให้สูญเสียการได้ยิน
- ▶ **เมื่อทำงานในบริเวณที่อุปกรณ์ตัดหรือสกรูอาจสัมผัสสายไฟฟ้าที่ซ่อนอยู่** ต้องจับเครื่องมือไฟฟ้าตรงพื้นผิวจับที่หุ้มฉนวน หากอุปกรณ์ตัดหรือสกรูสัมผัสสายที่ “มีกระแสไฟฟ้า” ไหลผ่านจะทำให้ชิ้นส่วนโลหะที่ไม่มี การป้องกันของเครื่องมือไฟฟ้าเกิด “มีกระแสไฟฟ้า” ด้วย และส่งผลให้ผู้ใช้งานเครื่องถูกไฟฟ้าดูดได้

คำเตือนเพื่อความปลอดภัยเมื่อใช้ดอกสว่านยาว

- ▶ **อย่าทำงานด้วยความเร็วที่สูงกว่าอัตราความเร็วสูงสุดของดอกสว่าน** ที่ความเร็วที่สูงกว่า ดอกสว่านอาจโค้งงอเมื่อปล่อยให้หมุนอย่างอิสระโดยไม่สัมผัสชิ้นงาน และส่งผลให้ได้รับบาดเจ็บทางร่างกาย
- ▶ **เริ่มต้นเจาะด้วยความเร็วต่ำและให้ปลายดอกสว่านสัมผัสชิ้นงานเสมอ** ที่ความเร็วที่สูงกว่า ดอกสว่านอาจโค้งงอเมื่อปล่อยให้หมุนอย่างอิสระโดยไม่สัมผัสชิ้นงาน และส่งผลให้ได้รับบาดเจ็บทางร่างกาย
- ▶ **ใช้แรงกดให้ตรงกับแนวดอกสว่านเท่านั้นและอย่าใช้แรงกดมากเกินไป** ดอกสว่านอาจโค้งงอทำให้แตกหักหรือสูญเสียการควบคุม และส่งผลให้ได้รับบาดเจ็บทางร่างกาย

คำแนะนำเพื่อความปลอดภัยเพิ่มเติม

- ▶ **จับเครื่องมือไฟฟ้าให้แน่น** ขณะขันสกรูเข้าและคลายออก อาจเกิดแรงบิดสะท้อนช่วงสั้นๆ อย่างรุนแรงได้
- ▶ **ยึดชิ้นงานให้แน่น** การยึดชิ้นงานด้วยเครื่องมือหนีบหรือแท่นจับจะมีมากกว่าการยึดด้วยมือ
- ▶ **ใช้เครื่องตรวจจับที่เหมาะสมเพื่อตรวจสอบสายไฟฟ้าหรือท่อสาธารณูปโภคที่อาจซ่อนอยู่ในบริเวณทำงานหรือติดต่อบริษัทสาธารณูปโภคในพื้นที่เพื่อขอความช่วยเหลือ** การสัมผัสกับสายไฟฟ้าอาจทำให้เกิดไฟไหม้หรือถูกไฟฟ้าดูด การทำให้ท่อแก๊สเสียหายอาจทำให้เกิดระเบิด การเจาะเข้าในท่อน้ำ ทำให้ทรัพย์สินเสียหาย
- ▶ **รอให้เครื่องมือไฟฟ้าหยุดสนิทก่อนวางเครื่องลงบนพื้น** เครื่องมือที่ปล่อยอย่างดัดขัดและทำให้สูญเสียการควบคุมเครื่องมือไฟฟ้า

- ▶ **เมื่อแบตเตอรี่ชำรุดและนำไปใช้งานอย่างไม่ถูกต้อง อาจมีไอระเหยออกมาได้** แบตเตอรี่อาจเผาไหม้หรือระเบิดได้ให้สูดอากาศบริสุทธิ์และไปพบแพทย์ในกรณีเจ็บปวด ไอระเหยอาจทำให้ระบบหายใจระคายเคือง

- ▶ **อย่าเปิดแบตเตอรี่** อันตรายจากการลัดวงจร

- ▶ **วัตถุที่แหลมคม ต. ย. เช่น ตะปูหรือไขควง หรือแรงกระทำภายนอก อาจทำให้แบตเตอรี่เสียหายได้** สิ่งเหล่านี้ อาจทำให้เกิดการลัดวงจรภายในและแบตเตอรี่ใหม่ มีควัน ระเบิด หรือร้อนเกินไป

- ▶ **ใช้แบตเตอรี่แพ็คเกจเฉพาะในผลิตภัณฑ์ของผู้ผลิตเท่านั้น** ในลักษณะนี้ แบตเตอรี่แพ็คเกจจะได้รับการปกป้องจากการใช้งานเกินกำลังซึ่งเป็นอันตราย



ปกป้องแบตเตอรี่จากความร้อน รวมทั้ง ต. ย. เช่น จากการถูกแสงแดดส่องต่อเนื่อง จากไฟสปาร์ก น้ำ และความชื้น อันตรายจากการระเบิดและการลัดวงจร

- ▶ **ปิดสวิตช์เครื่องมือไฟฟ้าทันทีหากเครื่องมือติดขัด** ให้เตรียมพร้อมสำหรับปฏิกิริยาแรงบิดสูงซึ่งเป็นเหตุให้เกิดการตีกลับ เครื่องมือจะติดขัดเมื่อเครื่องมือไฟฟ้าถูกใช้งานเกินกำลังหรือเครื่องมือถูกบีบอัดอยู่ในชิ้นงาน

รายละเอียดผลิตภัณฑ์และข้อมูล

จำเพาะ



อ่านคำเตือนเพื่อความปลอดภัยและคำแนะนำทั้งหมด การไม่ปฏิบัติตามคำเตือนและคำสั่งอาจเป็นสาเหตุให้อุปกรณ์ถูกไฟฟ้าดูด เกิดไฟไหม้ และ/หรือได้รับบาดเจ็บอย่างร้ายแรง

กรุณาดูภาพประกอบในส่วนหน้าของคู่มือการใช้งาน

ประโยชน์การใช้งานของเครื่อง

เครื่องมือไฟฟ้านี้ใช้สำหรับขันสกรูเข้าและคลายออก รวมทั้ง เจาะรูในไม้ โลหะ เซรามิก และพลาสติก รุ่น GSB ยังใช้สำหรับเจาะกระแทกในอิฐ งานก่ออิฐ และหินได้ด้วย

ส่วนประกอบที่แสดงภาพ

ลำดับเลขของส่วนประกอบผลิตภัณฑ์ข้างถึงส่วนประกอบของเครื่องที่แสดงในหน้าภาพประกอบ

- (1) ด้ามจับเครื่องมือ
- (2) หัวจับดอกชนิดจับเร็ว
- (3) แหวนตั้งแรงบิดล่วงหน้า
- (4) สวิตช์เลือกโหมดการทำงาน (GSB)
- (5) สวิตช์ตั้งเกียร์
- (6) คลิปเข็มขัด

- (7) แบตเตอรี่แพ็ค^{A)}
- (8) แบ้นปลดล็คแบตเตอรี่^{A)}
- (9) ไฟล่องบริเวณทำงาน (LED)
- (10) สวิทช์เปลี่ยนทิศทางการหมุน
- (11) สวิทช์เปิด-ปิด
- (12) ที่ใส่ดอกไขควง^{A)}
- (13) ด้ามจับ (พื้นผิวจับหุ้มฉนวน)
- (14) ไฟแสดงสถานะการชาร์จแบตเตอรี่^{A)}
- (15) ปุ่มสำหรับไฟแสดงสถานะการชาร์จ^{A)}
- A) อุปกรณ์ประกอบที่แสดงภาพหรืออธิบายไม่รวมอยู่ในการจัดส่งมาตรฐาน
กรุณาดูอุปกรณ์ประกอบทั้งหมดในรายการแสดงอุปกรณ์ประกอบของเรา

ข้อมูลทางเทคนิค

ส่วน/ไขควงไร้สาย		GSR 18V-50	GSB 18V-50
ส่วน/ไขควงกระแทกไร้สาย			
หมายเลขสินค้า		3 601 JH5 0..	3 601 JH5 1..
แรงดันไฟฟ้าพิกัด	V=	18	18
ความเร็วรอบเดินตัวเปล่า ^{A)}			
- เกียร์ 1	นาที ¹⁾	0-460	0-460
- เกียร์ 2	นาที ¹⁾	0-1800	0-1800
อัตรากระแทก ^{A)}	นาที ¹⁾	-	0-27 000
แรงบิดสูงสุดสำหรับการขันสกรูแบบแข็ง/นุ่ม ^{A)}	นิวตันเมตร	50/28	50/28
Ø-การเจาะ สูงสุด (เกียร์ 1//2)			
- ไม้	มม.	35	35
- เหล็กกล้า	มม.	13	13
- งานก่ออิฐ	มม.	-	13
วงหนีบหัวจับดอก	มม.	1.5-13	1.5-13
Ø-สกรู สูงสุด	มม.	10	10
น้ำหนักตามระเบียบการ EPTA-Procedure 01:2014 ^{A)}	กก.	1.4-2.4	1.4-2.5
อุณหภูมิโดยรอบที่อนุญาต			
- เมื่อชาร์จ	°C	0 ... +35	0 ... +35
- เมื่อใช้งาน ^{B)} และระหว่างการเก็บรักษา	°C	-20 ... +50	-20 ... +50
แบตเตอรี่แพ็คที่แนะนำ		GBA 18V... ProCORE18V...	GBA 18V... ProCORE18V...
เครื่องชาร์จที่แนะนำ		GAL 18... GAX 18... GAL 36...	GAL 18... GAX 18... GAL 36...

A) ขึ้นอยู่กับแบตเตอรี่แพ็คที่ใช้

B) สมรรถภาพจะน้อยลงที่อุณหภูมิ <0 °C

ข้อมูลเกี่ยวกับเสียงและการสั่นตัว

GSR 18V-50

GSB 18V-50

ค่าการปล่อยเสียงกำหนดตาม EN 62841-2-1

ตามปกติระดับเสียงแบบถ่วงน้ำหนัก-A ของเครื่องมือไฟฟ้าคือ

ระดับความดันเสียง	dB(A)	72,5	88
ระดับความดังเสียง	dB(A)	83,5	99
ความคลาดเคลื่อน K	dB	5	5

สวมอุปกรณ์ป้องกันเสียงดัง!

ค่าความสั่นสะเทือนรวม a_h (ผลรวมเชิงเวกเตอร์ของสามทิศทาง) และความคลาดเคลื่อน K กำหนดตาม EN 62841-2-1

การเจาะในโลหะ:

a_h	ม./วินาที ²	2	1
K	ม./วินาที ²	1,5	1,5

การเจาะกระแทกในคอนกรีต:

a_h	ม./วินาที ²	-	11
K	ม./วินาที ²	-	1,5

ระดับความสั่นสะเทือนและค่าการปล่อยเสียงที่ให้ไว้ในคำแนะนำนี้วัดตามกระบวนการวัดมาตรฐาน และสามารถใช้สำหรับเปรียบเทียบเครื่องมือไฟฟ้าซึ่งกันและกัน ค่านี้ยังอาจใช้สำหรับประเมินการปล่อยความสั่นสะเทือนและการปล่อยเสียงเบื้องต้นได้อีกด้วย

ระดับความสั่นสะเทือนและค่าการปล่อยเสียงที่ให้ไว้นี้แสดงการใช้งานส่วนใหญ่ของเครื่องมือไฟฟ้า อย่างไรก็ตาม หากเครื่องมือไฟฟ้าถูกใช้เพื่อทำงานประเภทอื่น ใช้ร่วมกับอุปกรณ์ประกอบที่ผิดแปลกไป หรือได้รับการบำรุงรักษาไม่ดีพอ ระดับความสั่นสะเทือนและค่าการปล่อยเสียงอาจแตกต่างกันไปจากค่าที่ให้ไว้ ปัจจัยเหล่านี้อาจส่งผลให้ระดับความสั่นสะเทือนและระดับเสียงเพิ่มขึ้นอย่างชัดเจนตลอดระยะเวลาการทำงานทั้งหมด

สำหรับการประเมินการปล่อยความสั่นสะเทือนและการปล่อยเสียงอย่างถูกต้อง ควรนำเวลาขณะที่ใช้เครื่องมือไฟฟ้าปิดสวิตช์หรือขณะที่เครื่องกำลังวิ่งแต่ไม่ได้ทำงานจริงมาพิจารณาด้วย ปัจจัยเหล่านี้อาจส่งผลให้ระดับความสั่นสะเทือนและระดับเสียงลดลงอย่างชัดเจนตลอดระยะเวลาการทำงานทั้งหมด กำหนดมาตรฐานการเพื่อความปลอดภัยเพิ่มเติมเพื่อป้องกันผู้ใช้งานจากผลกระทบจากการสั่นสะเทือน ต. ย. เช่น: บำรุงรักษาเครื่องมือไฟฟ้าและอุปกรณ์ประกอบ ทำมือให้อุ่นไว้ จัดลำดับกระบวนการทำงาน

การติดตั้ง

- ▶ ถอดแบตเตอรี่ออกจากเครื่องมือไฟฟ้าก่อนทำการปรับแต่งใดๆ ที่เครื่องมือไฟฟ้า (ต. ย. เช่น บำรุงรักษา เปลี่ยนเครื่องมือ ฯลฯ) รวมทั้งเมื่อขนย้ายและเก็บรักษา อันตรายจากการบาดเจ็บหากสวิตช์เปิด-ปิดติดขึ้นอย่างไม่ตั้งใจ

การชาร์จแบตเตอรี่

- ▶ ใช้เฉพาะเครื่องชาร์จแบตเตอรี่ที่ระบุในข้อมูลทางเทคนิคเท่านั้น เฉพาะเครื่องชาร์จแบตเตอรี่เหล่านี้เท่านั้นที่เข้าชุดกับแบตเตอรี่ลิเธียม ไอออน ของเครื่องมือไฟฟ้าของท่าน

หมายเหตุ: แบตเตอรี่แพ็คที่จัดส่งมาถูกชาร์จมาแล้วบางส่วน เพื่อให้แบตเตอรี่แพ็คทำงานได้เต็มประสิทธิภาพ ต้องชาร์จแบตเตอรี่แพ็ค

ในเครื่องชาร์จแบตเตอรี่ให้เต็มก่อนใช้งานเครื่องมือไฟฟ้าของท่านเป็นครั้งแรก

แบตเตอรี่ลิเธียม ไอออน

สามารถชาร์จได้ทุกเวลาโดยอายุการใช้งานจะไม่ลดลง การชดจังหวะกระบวนการชาร์จไม่ทำให้แบตเตอรี่แพ็คเสียหาย “Electronic Cell Protection (ECP)” ช่วยป้องกันไม่ให้แบตเตอรี่ลิเธียม ไอออน จ่ายกระแสไฟออกอีก เมื่อแบตเตอรี่แพ็คหมดไฟ วงจรป้องกันจะดับสวิตช์เครื่องมือไฟฟ้าที่ใส่อยู่จะไม่หมุนต่อ

อ่านและปฏิบัติตามข้อสังเกตสำหรับการกำจัดขยะ

การถอดแบตเตอรี่

แบตเตอรี่แพ็ค (7) มีการล็อกสองระดับเพื่อป้องกันไม่ให้แบตเตอรี่แพ็คร่วงหลุดออกมาหากกดแป้นปลดล็อกแบตเตอรี่แพ็ค (8) โดยไม่ตั้งใจ เมื่อแบตเตอรี่แพ็คถูกรวบรวมอยู่ในเครื่องมือไฟฟ้า สปริงจะยึดแบตเตอรี่แพ็คให้เข้าตำแหน่ง เมื่อต้องการถอดแบตเตอรี่แพ็ค (7) ออก ให้กดแป้นปลดล็อก (8) และดึงแบตเตอรี่แพ็คออกจากเครื่องมือไฟฟ้า **อย่าใช้กำลังดึง**

ไฟแสดงสถานะการชาร์จแบตเตอรี่

ไฟ LED สีเขียวของการแสดงสถานะการชาร์จแบตเตอรี่แพ็ค (14) แสดงสถานะการชาร์จของแบตเตอรี่แพ็ค (7) ด้วยเหตุผลด้านความปลอดภัย ท่านสามารถตรวจสอบสถานะการชาร์จเฉพาะเมื่อเครื่องมือไฟฟ้าหยุดสนิทเท่านั้น กดปุ่มสำหรับไฟแสดงสถานะการชาร์จ (15) เพื่อแสดงสถานะการชาร์จ ท่านสามารถกดได้เมื่อเมื่อได้ถอดแบตเตอรี่แพ็คออกแล้ว

หากไฟ LED ไม่ติดขึ้นหลังจากกดปุ่มสำหรับไฟแสดงสถานะการชาร์จ (15) แสดงว่าแบตเตอรี่แพ็คชำรุดและต้องเปลี่ยนใหม่

แบตเตอรี่แพ็ค-ชนิด GBA 18V... (รูปภาพประกอบ D1)

LED	ความจุ
ส่องสว่างต่อเนื่อง 3 x สีเขียว	60-100 %
ส่องสว่างต่อเนื่อง 2 x สีเขียว	30-60 %
ส่องสว่างต่อเนื่อง 1 x สีเขียว	5-30 %
ไฟกะพริบ 3 x สีเขียว	0-5 %

แบตเตอรี่แพ็ค-ชนิด ProCORE18V... (รูปภาพประกอบ D2)

LED	ความจุ
ส่องสว่างต่อเนื่อง 5 x สีเขียว	80-100 %
ส่องสว่างต่อเนื่อง 4 x สีเขียว	60-80 %
ส่องสว่างต่อเนื่อง 3 x สีเขียว	40-60 %
ส่องสว่างต่อเนื่อง 2 x สีเขียว	20-40 %
ส่องสว่างต่อเนื่อง 1 x สีเขียว	5-20 %
ไฟกะพริบ 1 x สีเขียว	0-5 %

การเปลี่ยนเครื่องมือ (รูปภาพประกอบ A)

▶ ถอดแบตเตอรี่ออกจากเครื่องมือไฟฟ้าก่อนทำการปรับแต่งใดๆ ที่เครื่องมือไฟฟ้า (ต. ย. เช่น บำรุงรักษา เปลี่ยนเครื่องมือ ฯลฯ) รวมทั้งเมื่อขนย้ายและเก็บรักษา

อันตรายจากการบาดเจ็บหากสวิทช์เปิด-ปิดติดขึ้นอย่างไม่ตั้งใจ

แกนส่วนจะถูกล็อกไว้เมื่อไม่กดสวิทช์เปิด-ปิด (11) ในลักษณะนี้ท่านจะสามารถเปลี่ยนเครื่องมือในหัวจับดอกได้ง่ายเร็ว และสะดวก

เปิดหัวจับดอกชนิดจับเร็ว (2) โดยหมุนไปทิศทางหมุน ① จนสามารถใส่เครื่องมือได้ ใส่เครื่องมือเข้า

ใช้มือหมุนปลอกของหัวจับดอกชนิดจับเร็ว (2) ไปทิศทางหมุน ② เข้าให้แน่น ในลักษณะนี้หัวจับดอกจะถูกล็อกโดยอัตโนมัติ

การตัดฝุ่น/ซีเลียม

ฝุ่นที่ได้จากวัสดุ เช่น เคลือบผิวที่มีสารตะกั่ว ไม้บางประเภท แร่ธาตุ และโลหะ อาจเป็นอันตรายต่อสุขภาพ การสัมผัสหรือการหายใจเอาฝุ่นเข้าไปอาจทำให้เกิดปฏิกิริยาแพ้ฝุ่น และ/หรือนำมาซึ่งโรคติดเชื้อระบบหายใจแก่ผู้ใช้เครื่องมือหรือผู้ที่ยืนอยู่ใกล้เคียง

ฝุ่นบางประเภท เช่น ฝุ่นไม้อัด หรือไม้ขี้หนุ เป็นสารที่ทำให้เกิดมะเร็ง โดยเฉพาะอย่างยิ่งเมื่อผสมกับสารเติมแต่งเพื่อบำบัดไม้ (โครเมต ผลัดกันทรัพยากรเนื้อไม้) สำหรับวัสดุที่มีแอสเบสตอสต้องให้ผู้เชี่ยวชาญทำงานเท่านั้น

- จัดสถานที่ทำงานให้มีการระบายอากาศที่ดี
- ขอแนะนำให้สวมหน้ากากป้องกันการติดเชื้อที่มีระดับ-ใส่กรอง P2

ปฏิบัติตามกฎข้อบังคับสำคัญอื่นๆ ที่เกี่ยวกับวัสดุชิ้นงานที่บังคับใช้ในประเทศของท่าน

▶ ป้องกันการสะสมของฝุ่นในสถานที่ทำงาน

ฝุ่นสามารถถูกใหม่อย่างง่ายดาย

การปฏิบัติงาน

การเริ่มต้นปฏิบัติงาน

การใส่แบตเตอรี่

หมายเหตุ: การใส่แบตเตอรี่แพ็คที่ไม่เหมาะกับเครื่องมือไฟฟ้าของท่านอาจทำให้เครื่องมือไฟฟ้าทำงานผิดปกติหรือเสียหายได้

ดันแบตเตอรี่แพ็คที่ชาร์จแล้ว (7) เข้าในฐานของเครื่องมือไฟฟ้าจากทางด้านหน้าจนแบตเตอรี่แพ็คถูกล็อกอย่างแน่นหนา

การตั้งทิศทางการหมุน (รูปภาพประกอบ B)

ท่านสามารถเปลี่ยนทิศทางการหมุนของเครื่องมือไฟฟ้าได้ ด้วยสวิทช์เปลี่ยนทิศทางการหมุน (10) อย่างไรก็ตาม หากสวิทช์เปิด-ปิด (11) ถูกกดอยู่ จะกลับทิศทางการหมุนไม่ได้

การหมุนทางขวา: สำหรับการเจาะและการขันสกรูเข้า ให้กดสวิตช์เปลี่ยนทิศทางการหมุน **(10)** ไปทางซ้ายจนสุด

การหมุนทางซ้าย: สำหรับคลายหรือหมุนสกรูและนอตออก ให้กดสวิตช์เปลี่ยนทิศทางการหมุน **(10)** ไปทางขวาจนสุด

การตั้งโหมดทำงาน



การเจาะ

GSR

ตั้งแหวนตั้งแรงบิดล่วงหน้า **(3)** ไว้ที่สัญลักษณ์ "การเจาะ"

GSB

ตั้งสวิตช์เลือกโหมดการทำงาน **(4)** ไว้ที่สัญลักษณ์ "การเจาะ"



การขันสกรู

GSR

ตั้งแหวนตั้งแรงบิดล่วงหน้า **(3)** ไว้ที่แรงบิดที่ต้องการ

GSB

ตั้งสวิตช์เลือกโหมดการทำงาน **(4)** ไว้ที่สัญลักษณ์ "การขันสกรู"



การเจาะกระแทก (GSB)

ตั้งสวิตช์เลือกโหมดการทำงาน **(4)** ไว้ที่สัญลักษณ์ "การเจาะกระแทก"

การเปิด-ปิดเครื่อง

สตาร์ท เครื่องมือไฟฟ้าโดยกดสวิตช์เปิด-ปิด **(11)** และกดค้างไว้

ไฟ LED **(9)** จะส่องสว่างเมื่อกดสวิตช์เปิด-ปิด **(11)** เบาๆ หรือเต็มที่ และให้ความสว่างบริเวณทำงานภายใต้สภาพแสงที่ไม่เอื้ออำนวย

ปิด เครื่องมือไฟฟ้าโดยปล่อยนิ้วจากสวิตช์เปิด-ปิด **(11)**

การปรับความเร็วรอบ

ท่านสามารถปรับความเร็วรอบของเครื่องมือไฟฟ้าที่เปิดสวิตช์อยู่ได้อย่างต่อเนื่องตามแรงกดมากน้อยบนสวิตช์เปิด-ปิด **(11)**

การกดสวิตช์เปิด-ปิด **(11)** เบาๆ จะได้ความเร็วรอบต่ำ การกดสวิตช์แรงยิ่งขึ้นจะให้ความเร็วรอบสูงขึ้น

การเลือกแรงบิดล่วงหน้า (ใช้กับโหมดการทำงาน การขันสกรู)

ท่านสามารถเลือกแรงบิดที่ต้องการล่วงหน้าได้ 20 ชั้นด้วยแหวนตั้งแรงบิดล่วงหน้า **(3)** เครื่องมือจะหยุดทำงานเมื่อถึงแรงบิดที่ตั้งไว้ล่วงหน้า

การตั้งเกียร์ ระบบกลไก

▶ **สับสวิตช์ตั้งเกียร์ (5)** เมื่อเครื่องหยุดนิ่งอยู่กับที่เท่านั้น

เกียร์ 1:

ความเร็วรอบต่ำ สำหรับการเจาะรูเส้นผ่าศูนย์กลางขนาดเล็กใหญ่หรือสำหรับการขันสกรู

เกียร์ 2:

ความเร็วรอบสูง สำหรับการเจาะรูเส้นผ่าศูนย์กลางขนาดเล็ก

▶ **คันสวิตช์ตั้งเกียร์ไปจนสุดเสมอ** มิฉะนั้นเครื่องอาจชำรุดได้

การป้องกันการใช้งานเกินกำลังโดยอาศัยอุณหภูมิจากใช้งาน

หากใช้งานเครื่องมือไฟฟ้าอย่างถูกต้องตรงตามวัตถุประสงค์ เครื่องจะไม่รับภาระมากเกินไป หากเครื่องมือไฟฟ้าถูกใช้งานเกินกำลังหรือไม่อยู่ในช่วงอุณหภูมิทำงานที่อนุญาต ความเร็วรอบจะลดลง เครื่องมือไฟฟ้าจะทำงานด้วยความเร็วรอบเต็มที่อีกครั้งเฉพาะเมื่อถึงอุณหภูมิทำงานที่อนุญาตแล้วเท่านั้น

ล็อคแกนด้วยระบบอัตโนมัติทั้งหมด (auto-lock)

แกนสว่านและตามจับเครื่องมือจะถูกล็อคไว้เมื่อไม่กดสวิตช์เปิด-ปิด **(11)**

ในลักษณะนี้จะช่วยให้สามารถขันสกรูได้แม้เมื่อแบตเตอรี่หมดหรือใช้เครื่องมือไฟฟ้าเป็นไขดวงได้

ข้อแนะนำในการทำงาน

▶ **จับเครื่องมือไฟฟ้าวางบนสกรูเมื่อเครื่องปิดอยู่กับที่**

เครื่องมือที่หมุนอยู่อาจลื่นไถล

ก่อนขันสกรูตัวใหญ่กว่า ยาวกว่า เข้าในเป็นวัสดุแข็ง ท่านควรเจาะรูนำด้วยเส้นผ่าศูนย์กลางหลักของเกลียวสเกลประมาณ 2/3 ของความยาวสกรู

ท่านสามารถใช้เครื่องมือช่วยเพื่อถอดดอกไขควงหรือตามจับดอกทัวไปออก

การบำรุงรักษาและการบริการ

การบำรุงรักษาและการทำความสะอาด

▶ **ถอดแบตเตอรี่ออกจากเครื่องมือไฟฟ้าก่อนทำการปรับแต่งใดๆ ที่เครื่องมือไฟฟ้า (ค. ย. เช่น บำรุงรักษา เปลี่ยนเครื่องมือ ฯลฯ) รวมทั้งเมื่อขนย้ายและเก็บรักษา** อันตรายจากการบาดเจ็บหากสวิตช์เปิด-ปิดติดขึ้นอย่างไม่ตั้งใจ

▶ **เพื่อให้ทำงานได้อย่างถูกต้องและปลอดภัย ต้องรักษาเครื่องและช่องระบายอากาศ ให้สะอาดอยู่เสมอ**

การบริการหลังการขายและการให้คำปรึกษาการใช้งาน

ศูนย์บริการหลังการขายของเรายินดีตอบคำถามของท่านที่เกี่ยวกับการบำรุงรักษาและการซ่อมแซมผลิตภัณฑ์รวมทั้งเรื่องอะไหล่ ภาพเขียนแบบการประกอบและข้อมูลเกี่ยวกับอะไหล่ กรุณาดูใน: www.bosch-pt.com ที่ทีมงานที่ปรึกษาของ บอช ยินดีให้ข้อมูลเกี่ยวกับผลิตภัณฑ์ของเราและอุปกรณ์ประกอบต่างๆ

เมื่อต้องการสอบถามและสั่งซื้ออะไหล่ กรุณาแจ้งหมายเลขสินค้า 10 หลักบนแผ่นป้ายรุ่นของผลิตภัณฑ์ทุกครั้ง

ไทย

ไทย บริษัท โรเบิร์ต บอช จำกัด
เอฟวายไอ เซ็นเตอร์ อาคาร 1 ชั้น 5
เลขที่ 2525 ถนนพระราม 4
แขวงคลองเตย เขตคลองเตย กรุงเทพฯ 10110
โทร: +66 2012 8888
แฟกซ์: +66 2064 5800
www.bosch.co.th

ศูนย์บริการซ่อมและฝึกอบรม บอช
อาคาร ลาซาลทาวเวอร์ ชั้น G ห้องเลขที่ 2
บ้านเลขที่ 10/11 หมู่ 16
ถนนศรีนครินทร์ ตำบลบางแก้ว อำเภอบางพลี
จังหวัดสมุทรปราการ 10540
ประเทศไทย
โทรศัพท์ 02 7587555
โทรสาร 02 7587525

การขนส่ง

แบตเตอรี่ลิเธียม ไอออน ที่บรรจุอยู่ภายในได้ข้อกำหนดแห่งกฎหมายสินค้าอันตราย ผู้ใช้สามารถขนส่งแบตเตอรี่แพ็คโดยทางถนนโดยไม่มีข้อบังคับอื่นหากขนส่งโดยบุคคลที่สาม (เช่น : การขนส่งทางอากาศ หรือตัวแทนขนส่งสินค้า) ต้องปฏิบัติตามข้อกำหนดพิเศษเกี่ยวกับการบรรจุภัณฑ์และการติดฉลาก สำหรับการเตรียมสิ่งของที่จัดส่ง จำเป็นต้องปรึกษาผู้เชี่ยวชาญด้านวัตถุอันตราย ส่งแบตเตอรี่แพ็คเมื่อตัวหุ้มไม่ชำรุดเสียหายเท่านั้น ใช้แถบกาวพันปิดหน้าสัมผัสที่เปิดอยู่ และนำแบตเตอรี่แพ็คใส่กล่องบรรจุโดยไม่ให้เคลื่อนไปมาในกล่องได้ นอกจากนี้ กรุณาปฏิบัติตามกฎระเบียบของประเทศซึ่งอาจมีรายละเอียดเพิ่มเติม

การกำจัดขยะ



เครื่องมือไฟฟ้า แบตเตอรี่แพ็ค อุปกรณ์ประกอบ และที่บ่อ ต้องนำ

ไปแยกประเภทวัสดุเพื่อนำกลับมาใช้ใหม่โดยไม่ทำลายสภาพแวดล้อม



อย่าทิ้งเครื่องมือไฟฟ้าและแบตเตอรี่แพ็ค/แบตเตอรี่ที่นำกลับมาชาร์จใหม่ได้ ลงในขยะบ้าน!

แบตเตอรี่แพ็ค/แบตเตอรี่:

ลิเธียม ไอออน:

กรุณาปฏิบัติตามคำแนะนำในใบการขนส่ง (ดู "การขนส่ง", หน้า 45)

Bahasa Indonesia

Petunjuk Keselamatan

Petunjuk keselamatan umum untuk perkakas listrik

PERINGATAN Baca semua peringatan, petunjuk, ilustrasi, dan spesifikasi

keselamatan yang diberikan bersama perkakas listrik ini. Kesalahan dalam menjalankan petunjuk di bawah ini dapat mengakibatkan sengatan listrik, kebakaran, dan/atau cedera serius.

Simpanlah semua peringatan dan petunjuk untuk penggunaan di masa mendatang.

Istilah "perkakas listrik" dalam peringatan mengacu pada perkakas listrik yang dioperasikan dengan listrik (menggunakan kabel) atau perkakas listrik yang dioperasikan dengan baterai (tanpa kabel).

Keamanan tempat kerja

- ▶ **Jaga kebersihan dan pencahayaan area kerja.** Area yang berantakan atau gelap dapat memicu kecelakaan.
- ▶ **Jangan mengoperasikan perkakas listrik di lingkungan yang dapat memicu ledakan, seperti adanya cairan, gas, atau debu yang mudah terbakar.** Perkakas listrik dapat memancarkan bunga api yang kemudian mengakibatkan debu atau uap terbakar.
- ▶ **Jauhkan dari jangkauan anak-anak dan pengamat saat mengoperasikan perkakas listrik.** Gangguan dapat menyebabkan hilangnya kendali.

Keamanan listrik

- ▶ **Steker perkakas listrik harus sesuai dengan stopkontak. Jangan pernah memodifikasi steker. Jangan menggunakan steker adaptor bersama dengan perkakas listrik yang terhubung dengan sistem grounding.** Steker yang tidak dimodifikasi dan stopkontak yang cocok akan mengurangi risiko sengatan listrik.

- ▶ **Hindari kontak badan dengan permukaan yang terhubung dengan sistem grounding, seperti pipa, radiator, kompor, dan lemari es.** Terdapat peningkatan risiko terjadinya sengatan listrik jika badan Anda terhubung dengan sistem grounding.
- ▶ **Perkakas listrik tidak boleh terpapar hujan atau basah.** Air yang masuk ke dalam perkakas listrik menambah risiko terjadinya sengatan listrik.
- ▶ **Jangan menyalahgunakan kabel. Jangan gunakan kabel untuk membawa, menarik, atau melepas steker perkakas listrik. Jauhkan kabel dari panas, minyak, tepi yang tajam, atau komponen yang bergerak.** Kabel listrik yang rusak atau tersangkut menambah risiko terjadinya sengatan listrik.
- ▶ **Saat mengoperasikan perkakas listrik di luar ruangan, gunakan kabel ekstensi yang sesuai untuk penggunaan di luar ruangan.** Penggunaan kabel yang cocok untuk pemakaian di luar ruangan mengurangi risiko terjadinya sengatan listrik.
- ▶ **Jika perkakas listrik memang harus dioperasikan di tempat yang lembap, gunakan pemutus arus listrik residu (RCD).** Penggunaan RCD akan mengurangi risiko terjadinya sengatan listrik.

Keselamatan personel

- ▶ **Tetap waspada, perhatikan aktivitas yang sedang dikerjakan dan gunakan akal sehat saat mengoperasikan perkakas listrik. Jangan gunakan perkakas listrik saat mengalami kelelahan atau di bawah pengaruh narkoba, alkohol, atau obat-obatan.** Jika perkakas listrik dioperasikan dengan daya konsentrasi yang rendah, hal tersebut dapat menyebabkan cedera serius.
- ▶ **Gunakan peralatan pelindung diri. Selalu kenakan pelindung mata.** Penggunaan perlengkapan pelindung seperti penutup telinga, helm, sepatu anti licin, dan masker debu akan mengurangi cedera.
- ▶ **Hindari start yang tidak disengaja. Pastikan switch berada di posisi off sebelum perkakas listrik dihubungkan ke sumber daya listrik dan/atau baterai, diangkat, atau dibawa.** Membawa perkakas listrik dengan jari menempel pada tombol atau perkakas listrik dalam keadaan hidup dapat memicu kecelakaan.
- ▶ **Singkirkan kunci penyetel atau kunci pas sebelum menghidupkan perkakas listrik.** Perkakas atau kunci pas yang masih menempel pada komponen perkakas listrik yang berputar dapat menyebabkan cedera.
- ▶ **Jangan melampaui batas. Berdirilah secara mantap dan selalu jaga keseimbangan.** Hal ini akan memberikan kontrol yang lebih baik terhadap perkakas listrik pada situasi yang tak terduga.
- ▶ **Kenakan pakaian dengan wajar. Jangan mengenakan perhiasan atau pakaian yang longgar. Jauhkan rambut dan pakaian dari komponen yang bergerak.** Pakaian yang longgar, rambut panjang, atau perhiasan dapat tersangkut dalam komponen yang bergerak.

- ▶ **Jika disediakan perangkat untuk sambungan pengisapan debu dan alat pengumpulan, pastikan perangkat tersebut terhubung dan digunakan dengan benar.** Penggunaan alat pengumpulan dapat mengurangi bahaya yang disebabkan oleh debu.
- ▶ **Jangan berpuas diri dan mengabaikan prinsip keselamatan karena terbiasa mengoperasikan perkakas.** Tindakan yang kurang hati-hati dapat mengakibatkan cedera serius dalam waktu sepersekian detik.

Penggunaan dan pemeliharaan perkakas listrik

- ▶ **Jangan memaksakan perkakas listrik. Gunakan perkakas listrik yang sesuai untuk pekerjaan yang dilakukan.** Perkakas listrik yang sesuai akan bekerja dengan lebih baik dan aman sesuai tujuan penggunaan.
- ▶ **Jangan gunakan perkakas listrik dengan switch yang tidak dapat dioperasikan.** Perkakas listrik yang switchnya yang tidak berfungsi dapat menimbulkan bahaya dan harus diperbaiki.
- ▶ **Lepaskan steker dari sumber listrik dan/atau lepas baterai, jika dapat dilepaskan dari perkakas listrik sebelum menyetel, mengganti aksesoris, atau menyimpan perkakas listrik.** Tindakan preventif akan mengurangi risiko menghidupkan perkakas listrik secara tidak disengaja.
- ▶ **Jauhkan dan simpan perkakas listrik dari jangkauan anak-anak dan jangan biarkan orang-orang yang tidak mengetahui cara menggunakan perkakas listrik, mengoperasikan perkakas listrik.** Perkakas listrik dapat membahayakan jika digunakan oleh orang-orang yang tidak terlatih.
- ▶ **Lakukan pemeliharaan perkakas listrik dan aksesoris. Periksa komponen yang bergerak apabila tidak lurus atau terikat, kerusakan komponen, dan kondisi lain yang dapat mengganggu pengoperasian perkakas listrik. Apabila rusak, perbaiki perkakas listrik sebelum digunakan.** Kecelakaan sering terjadi karena perkakas listrik tidak dirawat dengan baik.
- ▶ **Jaga ketajaman dan kebersihan alat.** Alat pemotong dengan pisau pemotong yang tajam dan dirawat dengan baik tidak akan mudah tersangkut dan lebih mudah dikendalikan.
- ▶ **Gunakan perkakas listrik, aksesoris, dan komponen perkakas dll sesuai dengan petunjuk ini, dengan mempertimbangkan kondisi kerja dan pekerjaan yang akan dilakukan.** Penggunaan perkakas listrik untuk tujuan berbeda dari fungsinya dapat menyebabkan situasi yang berbahaya.
- ▶ **Jaga gagang dan permukaan genggam agar tetap kering, bersih, dan bebas dari minyak dan lemak.** Gagang dan permukaan genggam yang licin tidak menjamin keamanan kerja dan kontrol alat yang baik pada situasi yang tidak terduga.

Penggunaan dan pemeliharaan perkakas baterai

- ▶ **Isi ulang daya hanya dengan pengisi daya yang ditentukan oleh produsen.** Pengisi daya yang sesuai

untuk satu jenis set baterai dapat menyebabkan risiko kebakaran apabila digunakan dengan set baterai lain.

- ▶ **Hanya gunakan perkakas listrik dengan set baterai yang dirancang khusus.** Penggunaan set baterai lain dapat menyebabkan risiko cedera dan kebakaran.
- ▶ **Apabila set baterai tidak digunakan, jauhkan dari benda logam lainnya, seperti klip kertas, koin, kunci, paku, sekrup, atau benda logam kecil lainnya yang dapat membuat sambungan dari satu terminal ke terminal lainnya.** Memendekkan terminal baterai dapat menyebabkan kebakaran atau api.
- ▶ **Cairan dapat keluar dari baterai jika baterai tidak digunakan dengan benar; hindari kontak. Jika terjadi kontak secara tidak disengaja, bilas dengan air. Jika cairan mengenai mata, segera hubungi bantuan medis.** Cairan yang keluar dari baterai dapat menyebabkan iritasi atau luka bakar.
- ▶ **Jangan gunakan set baterai atau perkakas yang rusak atau telah dimodifikasi.** Baterai yang rusak atau telah dimodifikasi dapat menimbulkan kejadian yang tak terduga seperti kebakaran, ledakan, atau risiko cedera.
- ▶ **Jangan meletakkan set baterai atau perkakas di dekat api atau suhu tinggi.** Paparan terhadap api atau suhu di atas 130 °C dapat memicu ledakan.
- ▶ **Ikuti semua petunjuk pengisian daya dan jangan mengisi daya set baterai atau perkakas di luar rentang suhu yang ditentukan dalam petunjuk.** Pengisian daya yang tidak tepat atau di luar rentang suhu yang ditentukan dapat merusak baterai dan meningkatkan risiko kebakaran.

Servis

- ▶ **Minta teknisi berkualifikasi untuk menyervis perkakas listrik dengan hanya menggunakan suku cadang yang identik.** Dengan demikian, hal ini akan memastikan keamanan perkakas listrik.
- ▶ **Jangan pernah melakukan servis pada baterai yang telah rusak.** Servis baterai hanya boleh dilakukan oleh produsen atau penyedia servis resmi.

Petunjuk Keselamatan untuk Mesin Bor dan Obeng

Petunjuk keselamatan untuk semua pengoperasian

- ▶ **Kenakan pemalut telinga ketika bekerja.** Suara bising alat dapat menyebabkan berkurangnya pendengaran.
- ▶ **Pegang perkakas listrik pada permukaan gagang berisolator saat mengoperasikannya, aksesoris pemotong atau pengunci dapat bersentuhan dengan kabel yang tidak terlihat.** Aksesoris pemotong atau pengunci yang bersentuhan dengan kabel yang dialiri listrik dapat menyebabkan bagian logam perkakas listrik yang terbuka dialiri listrik sehingga pengguna dapat tersengat listrik.

Petunjuk keselamatan saat menggunakan mata bor panjang

- ▶ **Jangan pernah mengoperasikan alat dengan kecepatan yang lebih tinggi dari nilai kecepatan maksimal mata bor.** Pada kecepatan yang tinggi, mata bor akan membengkok jika berputar secara bebas tanpa menyentuh benda kerja dan dapat menyebabkan cedera terhadap pengguna.
- ▶ **Selalu hidupkan alat bor pada kecepatan rendah dengan ujung mata bor menyentuh benda kerja.** Pada kecepatan yang tinggi, mata bor akan membengkok jika berputar secara bebas tanpa menyentuh benda kerja dan dapat menyebabkan cedera terhadap pengguna.
- ▶ **Tekan hanya pada garis langsung dengan mata bor dan jangan tekan secara berlebihan.** Mata bor dapat membengkok dan menyebabkan kerusakan atau hilang kendali sehingga menyebabkan cedera terhadap pengguna.

Petunjuk Keselamatan tambahan

- ▶ **Pegang perkakas listrik dengan kencang.** Saat mengencangkan dan mengendurkan obeng dapat terjadi reaksi torsi yang tinggi sesaat.
- ▶ **Gunakan alat kerja dengan aman.** Benda yang ditahan dalam alat pemegang atau bais lebih aman daripada benda yang dipegang dengan tangan.
- ▶ **Gunakanlah alat detektor logam yang cocok untuk mencari kabel dan pipa yang tidak terlihat atau hubungi perusahaan pengadaan setempat.** Sentuhan dengan kabel-kabel listrik dapat mengakibatkan api dan kontak listrik. Pipa gas yang rusak dapat mengakibatkan ledakan. Pipa air yang rusak mengakibatkan barang-barang menjadi rusak.
- ▶ **Sebelum meletakkan perkakas listrik, tunggulah hingga perkakas berhenti berputar.** Alat kerja dapat tersangkut dan menyebabkan perkakas listrik tidak dapat dikendalikan.
- ▶ **Asap dapat keluar apabila terjadi kerusakan atau penggunaan yang tidak tepat pada baterai. Baterai dapat terbakar atau meledak.** Biarkan udara segar mengalir masuk dan kunjungi dokter apabila mengalami gangguan kesehatan. Asap tersebut dapat mengganggu saluran pernafasan.
- ▶ **Jangan membuka baterai.** Ada bahaya terjadinya korsleting.
- ▶ **Baterai dapat rusak akibat benda-benda lancip, seperti jarum, obeng, atau tekanan keras dari luar.** Hal ini dapat menyebabkan terjading hubungan singkat internal dan baterai dapat terbakar, berasap, meledak, atau mengalami panas berlebihan.
- ▶ **Hanya gunakan baterai pada produk yang dibuat oleh produsen.** Hanya dengan cara ini, baterai dapat terlindung dari kelebihan muatan.



Lindungi baterai dari panas, misalnya juga dari paparan sinar matahari dalam waktu yang lama, api, kotoran, air dan

kelembapan. Terdapat risiko ledakan dan korsleting.

- **Segera matikan perkakas listrik jika alat tambahan terkunci. Bersiaplah dengan reaksi tinggi yang menyebabkan sentakan.** Alat tambahan akan terkunci jika perkakas listrik mengalami kelebihan beban atau perkakas bergerak miring pada benda kerja.

Spesifikasi produk dan performa



Bacalah semua petunjuk keselamatan dan petunjuk penggunaan. Kesalahan dalam menjalankan petunjuk keselamatan dan petunjuk penggunaan dapat mengakibatkan kontak listrik, kebakaran, dan/atau luka-luka

yang berat.

Perhatikan ilustrasi yang terdapat pada sisi sampul panduan pengoperasian.

Tujuan penggunaan

Perkakas listrik ini cocok digunakan untuk mengencangkan dan melepaskan baut, serta untuk pengeboran pada kayu, logam, keramik dan plastik. Selain itu, GSB cocok untuk pengeboran pada batu bata dan batu.

Ilustrasi komponen

Nomor-nomor dari bagian-bagian perkakas pada gambar sesuai dengan gambar perkakas listrik pada halaman bergambar.

- (1) Dudukan alat kerja
- (2) Keyless chuck
- (3) Ring untuk penyetelan awal torsi
- (4) Switch pemilih mode pengoperasian (GSB)
- (5) Switch pemilih tingkat putaran
- (6) Jepitan tempat menggantungkan
- (7) Baterai^{A)}
- (8) Tombol pelepas baterai^{A)}
- (9) Lampu kerja (LED)
- (10) Switch arah putaran
- (11) Tombol on/off
- (12) Holder mata bor^{A)}
- (13) Gagang (permukaan genggam berisolator)
- (14) Indikator level pengisian daya baterai^{A)}
- (15) Tombol indikator level pengisian daya^{A)}

A) **Aksesori yang ada pada gambar atau yang dijelaskan tidak termasuk dalam lingkup pengiriman standar. Semua aksesori yang ada dapat Anda lihat dalam program aksesori kami.**

Data teknis

Obeng bor baterai		GSR 18V-50	GSB 18V-50
Obeng bor impact baterai			
Nomor seri		3 601 JH5 0..	3 601 JH5 1..
Tegangan nominal	V=	18	18
Kecepatan idle ^{A)}			
– Tingkat putaran pertama	min ⁻¹	0–460	0–460
– Tingkat putaran kedua	min ⁻¹	0–1800	0–1800
Nominal getaran ^{A)}	min ⁻¹	–	0–27 000
Torsi maks. penyekrupan ketat/lunak ^{A)}	Nm	50/28	50/28
Ø (diameter) pengeboran maks. (tingkat putaran pertama/kedua)			
– Kayu	mm	35	35
– Baja	mm	13	13
– Pengerjaan bata	mm	–	13
Rentang penjepitan chuck	mm	1,5–13	1,5–13
Ø (diameter) sekrup maks.	mm	10	10
Berat sesuai dengan EPTA-Procedure 01:2014 ^{A)}	kg	1,4–2,4	1,4–2,5
Suhu sekitar yang diizinkan			
– saat melakukan pengisian daya	°C	0 ... +35	0 ... +35
– saat pengoperasian ^{B)} dan saat disimpan	°C	-20 ... +50	-20 ... +50
baterai yang direkomendasikan		GBA 18V... ProCORE18V...	GBA 18V... ProCORE18V...

Obeng bor baterai Obeng bor impact baterai	GSR 18V-50	GSB 18V-50
perangkat pengisian daya yang direkomendasikan	GAL 18... GAX 18... GAL 36...	GAL 18... GAX 18... GAL 36...

- A) tergantung pada baterai yang digunakan
B) daya terbatas pada suhu <0 °C

Keterangan tentang Kebisingan/Vibrasi

		GSR 18V-50	GSB 18V-50
Nilai emisi kebisingan ditentukan berdasarkan EN 62841-2-1 .			
Tingkat kebisingan kategori A perkakas listrik biasanya sebesar			
Tingkat tekanan suara	dB(A)	72,5	88
Tingkat kekuatan suara	dB(A)	83,5	99
Ketidakpastian K	dB	5	5

Gunakan pelindung telinga!

Nilai total getaran a_h (jumlah vektor tiga arah) dan ketidakpastian K ditentukan berdasarkan **EN 62841-2-1**.

Mengebor logam:

a_h	m/s^2	2	1
K	m/s^2	1,5	1,5

Impact drilling pada beton:

a_h	m/s^2	–	11
K	m/s^2	–	1,5

Tingkat getaran yang terdapat dalam petunjuk ini dan nilai emisi kebisingan telah diukur sesuai dengan standarisasi metode pengukuran dan dapat digunakan untuk menyamakan perkakas listrik satu sama lain. Nilai tersebut juga sesuai untuk perkiraan sementara emisi getaran dan kebisingan.

Tingkat getaran yang ditetapkan dan nilai emisi kebisingan menunjukkan penggunaan utama perkakas listrik. Jika perkakas listrik digunakan untuk hal lain dan dipasang dengan alat sisipan yang berbeda atau dilakukan perawatan yang tidak memadai, tingkat getaran dan nilai emisi kebisingan dapat berbeda. Hal ini dapat meningkatkan emisi getaran dan kebisingan secara signifikan pada saat alat dioperasikan.

Untuk perkiraan emisi getaran dan kebisingan yang tepat, waktu juga harus dipertimbangkan saat alat dinyalakan atau digunakan, tetapi tidak benar-benar saat dioperasikan. Hal ini dapat mengurangi emisi getaran dan kebisingan pada saat alat dioperasikan.

Perhatikan petunjuk keamanan untuk melindungi pengguna dari efek getaran seperti misalnya: merawat perkakas listrik dan alat sisipan, menjaga tangan tetap hangat, mengatur alur kerja.

Cara memasang

- **Sebelum melakukan semua pekerjaan pada perkakas listrik (misalnya merawat, mengganti alat kerja, dsb.)**

serta selama transpor dan penyimpanan, keluarkanlah baterai dari perkakas listrik. Terdapat risiko cedera apabila tombol untuk menghidupkan dan mematikan dioperasikan tanpa sengaja.

Mengisi daya baterai

- **Hanya gunakan pengisi daya yang tercantum pada data teknis.** Hanya pengisi daya ini yang sesuai dengan baterai li-ion yang digunakan pada perkakas listrik Anda.

Catatan: Baterai dikirim dalam keadaan terisi sebagian. Untuk memastikan kinerja penuh baterai, isi penuh daya baterai ke pengisi daya sebelum menggunakannya untuk pertama kali.

Daya baterai li-ion dapat diisi setiap saat tanpa mengurangi masa pakainya. Penghentian proses pengisian daya tidak merusak baterai.

Baterai li-ion terlindung dari pengosongan daya total dengan "Electronic Cell Protection (ECP)". Jika baterai habis, perkakas listrik dimatikan oleh pengaman: Alat sisipan berhenti beroperasi.

Perhatikan petunjuk untuk membuang.

Mengeluarkan baterai

Baterai (7) memiliki dua sistem pengunci untuk mencegah baterai jatuh jika tombol pelepas baterai (8) ditekan secara tidak sengaja. Selama baterai berada di dalam perkakas listrik, baterai ditahan dalam dudukannya dengan pegas.

Untuk melepaskan baterai (7) tekan tombol pelepas (8) dan tarik baterai dari perkakas listrik. **Jangan melepas baterai dengan paksa.**

Indikator level pengisian daya baterai

LED berwarna hijau pada indikator level pengisian daya baterai (14) menampilkan level pengisian daya baterai (7). Atas dasar keselamatan, permintaan level pengisian daya baterai hanya dapat dilakukan saat perkakas listrik dalam keadaan berhenti.

Tekan tombol indikator level pengisian daya baterai (15) untuk menampilkan level pengisian daya baterai. Hal ini juga dapat dilakukan saat baterai dilepas.

Jika lampu LED tidak menyala setelah tombol indikator level pengisian daya baterai (15) ditekan, terdapat kerusakan pada baterai dan baterai harus diganti.

Tipe baterai GBA 18V... (lihat gambar D1)

LED	Kapasitas
Lampu permanen 3× hijau	60–100%
Lampu permanen 2× hijau	30–60%
Lampu permanen 1× hijau	5–30%
Lampu berkedip 3× hijau	0–5%

Tipe baterai ProCORE18V... (lihat gambar D2)

LED	Kapasitas
Lampu permanen 5× hijau	80–100%
Lampu permanen 4× hijau	60–80%
Lampu permanen 3× hijau	40–60%
Lampu permanen 2× hijau	20–40%
Lampu permanen 1× hijau	5–20%
Lampu berkedip 1× hijau	0–5%

Mengganti alat kerja (lihat gambar A)

- ▶ **Sebelum melakukan semua pekerjaan pada perkakas listrik (misalnya merawat, mengganti alat kerja, dsb.) serta selama transpor dan penyimpanan, keluarkanlah baterai dari perkakas listrik.** Terdapat risiko cedera apabila tombol untuk menghidupkan dan mematikan dioperasikan tanpa sengaja.

Spindel bor akan terkunci saat switch on/off (11) tidak ditekan. Hal ini memungkinkan penggantian alat-alat kerja di cekaman mata bor secara cepat, nyaman dan mudah.

Buka keyless chuck (2) dengan diputar sesuai arah panah ① hingga alat sisipan dapat dipasang. Pasang alat.

Putar selongsong keyless chuck (2) ke arah putaran ② dengan kuat menggunakan tangan. Chuck bor terkunci secara otomatis.

Ekstraksi debu/serbuk

Debu dari bahan-bahan seperti cat yang mengandung timbel (timah hitam), beberapa jenis kayu, bahan mineral dan logam dapat berbahaya bagi kesehatan. Menyentuh atau menghirup debu-debu ini dapat mengakibatkan reaksi alergi

dan/atau penyakit saluran pernapasan pada pengguna atau orang yang berada di dekatnya.

Beberapa debu tertentu seperti debu kayu pohon quercus atau pohon fagus silvatica dianggap dapat mengakibatkan penyakit kanker, terutama dalam campuran dengan bahan-bahan tambahan untuk pengolahan kayu (kromat, obat pengawet kayu). Bahan-bahan yang mengandung asbestos hanya boleh dikerjakan oleh orang-orang yang ahli.

- Perhatikanlah supaya ada pertukaran udara yang baik di tempat kerja.
- Kami anjurkan Anda memakai masker anti debu dengan filter kelas P2.

Taatilah peraturan-peraturan untuk bahan-bahan yang dikerjakan yang berlaku di negara Anda.

- ▶ **Hindari debu yang banyak terkumpul di tempat kerja.** Debu dapat tersulut dengan mudah.

Penggunaan

Cara penggunaan

Memasang baterai

Catatan: Menggunakan baterai yang tidak sesuai untuk perkakas listrik dapat menyebabkan kegagalan fungsi atau kerusakan pada perkakas listrik.

Pasang baterai yang telah diisi (7) ke dalam kaki perkakas listrik dari depan hingga baterai terkunci dengan aman.

Mengatur arah putaran (lihat gambar B)

Arah putaran perkakas listrik dapat diubah dengan switch pengubah arah (10). Hal tersebut tidak dapat dilakukan jika tombol on/off (11) ditekan.

Searah jarum jam: Untuk mengorbit dan menyekrup, tekan switch arah putaran (10) ke kiri hingga maksimal.

Berlawanan arah jarum jam: Untuk mengendurkan atau melepas sekrup dan mur, tekan switch pengubah arah (10) ke kanan hingga maksimal.

Mengatur mode pengoperasian



Pengeboran

GSR

Atur ring untuk penyetelan awal torsi (3) pada simbol "Pengeboran".

GSB

Atur switch pemilih mode pengoperasian (4) ke simbol "Pengeboran".



Penyekrupan

GSR

Atur ring untuk penyetelan awal torsi (3) ke torsi yang diinginkan.

GSB

Atur switch pemilih mode pengoperasian (4) ke simbol "Penyekrupan".



Impact drilling (GSB)

Atur switch pemilih mode pengoperasian (4) ke simbol "Impact drilling".

Mengaktifkan/menonaktifkan

Untuk **menggunakan pertama kali** perkakas listrik, tekan dan tahan tombol on/off (11).

LED (9) akan menyala saat tombol on/off (11) ditekan singkat atau ditekan kuat dan dapat membantu menerangi area kerja saat kondisi cahaya buruk.

Untuk **menonaktifkan** perkakas listrik, lepaskan tombol on/off (11).

Menyetel kecepatan

Kecepatan perkakas listrik yang diaktifkan dapat disetel terus-menerus tergantung seberapa kuat tombol on/off (11) ditekan.

Jika tombol on/off (11) ditekan singkat dan tidak terlalu kuat, kecepatan putaran akan menjadi rendah. Tekanan yang lebih besar mengakibatkan kecepatan putaran yang lebih tinggi.

Penyetelan awal torsi (berlaku untuk mode pengoperasian Penyekrupan)

Dengan menggunakan ring untuk penyetelan awal torsi (3), torsi yang diperlukan dapat dipilih terlebih dahulu dalam 20 level. Alat sisipan segera berhenti begitu torsi yang telah diatur tercapai.

Memilih tingkat putaran secara mekanis

- ▶ **Tekan switch pemilih tingkat putaran (5) hanya saat perkakas listrik sedang tidak beroperasi.**

Tingkat putaran pertama:

Rentang kecepatan putaran rendah; untuk pengerjaan dengan diameter mata bor yang besar atau untuk penyekrupan.

Tingkat putaran kedua:

Rentang kecepatan putaran tinggi; untuk pengerjaan dengan diameter mata bor yang kecil.

- ▶ **Selalu geser switch pemilih tingkat putaran hingga maksimal.** Jika tidak, perkakas listrik dapat rusak.

Perlindungan kelebihan beban yang bergantung suhu

Pada penggunaan normal, perkakas listrik tidak akan kelebihan beban. Pada saat perkakas mengalami beban berlebih atau suhu pengoperasian melebihi batas yang diizinkan, kecepatan putaran akan dikurangi. Perkakas listrik hanya akan berjalan dengan kecepatan penuh setelah suhu pengoperasian yang diizinkan tercapai.

Penguncian spindel otomatis (Auto-Lock)

Spindel bor dan dudukan alat sisipan akan terkunci apabila switch on/off (11) tidak ditekan.

Hal ini memungkinkan alat dapat digunakan untuk menyekrup saat baterai kosong atau perkakas listrik digunakan sebagai obeng.

Petunjuk pengoperasian

- ▶ **Pasang perkakas listrik pada sekrup hanya saat dalam keadaan mati.** Alat sisipan yang berputar dapat tergelincir.

Sebelum memutar masuk sekrup yang besar dan panjang ke dalam bahan yang keras, buat lubang bor terlebih dulu dengan diameter inti ulir sekitar 2/3 dari panjang sekrup.

Gunakan alat bantu untuk melepas mata obeng atau dudukan bit universal.

Perawatan dan servis

Perawatan dan pembersihan

- ▶ **Sebelum melakukan semua pekerjaan pada perkakas listrik (misalnya merawat, mengganti alat kerja, dsb.) serta selama transpor dan penyimpanan, keluarkanlah baterai dari perkakas listrik.** Terdapat risiko cedera apabila tombol untuk menghidupkan dan mematikan dioperasikan tanpa sengaja.
- ▶ **Perkakas listrik dan lubang ventilasi harus selalu dibersihkan agar perkakas dapat digunakan dengan baik dan aman.**

Layanan pelanggan dan konsultasi penggunaan

Layanan pelanggan Bosch menjawab semua pertanyaan Anda tentang reparasi dan perawatan serta tentang suku cadang produk ini. Gambaran teknis (exploded view) dan informasi mengenai suku cadang dapat ditemukan di: www.bosch-pt.com

Tim konsultasi penggunaan Bosch akan membantu Anda menjawab pertanyaan seputar produk kami beserta aksesorinya.

Jika Anda hendak menanyakan sesuatu atau memesan suku cadang, selalu sebutkan nomor model yang terdiri dari 10 angka dan tercantum pada label tipe produk.

Indonesia

PT Robert Bosch
Palma Tower 10th Floor
Jalan RA Kartini II-S Kaveling 6
Pondok Pinang, Kebayoran Lama
Jakarta Selatan 12310
Tel.: (021) 3005 5800
Fax: (021) 3005 5801
E-Mail: boschpowertools@id.bosch.com
www.bosch-pt.co.id

Transpor

Pada baterai-baterai li-ion yang digunakan diterapkan persyaratan terkait peraturan-peraturan tentang bahan-bahan yang berbahaya. Baterai-baterai dapat diangkat oleh penggunaannya tanpa pembatasan lebih lanjut di jalan.

Pada pengiriman oleh pihak ketiga (misalnya transportasi udara atau perusahaan ekspedisi) harus ditaati syarat-syarat terkait kemasan dan pemberian tanda. Dalam hal ini, diperlukan konsultasi dengan ahli bahan-bahan berbahaya saat mengatur barang pengiriman.

Kirimkan baterai hanya jika housing-nya tidak rusak. Tutup bagian-bagian yang terbuka dan kemasan baterai agar tidak bergerak-gerak di dalam kemasan. Taatilah peraturan-peraturan nasional lainnya yang mungkin lebih rinci yang berlaku di negara Anda.

Cara membuang



Perkakas listrik, baterai, aksesoris dan kemasan harus didaur ulang dengan cara yang ramah lingkungan.



Jangan membuang perkakas listrik, aki/baterai ke dalam sampah rumah tangga!

Baterai:

Li-ion:

Perhatikanlah petunjuk-petunjuk dalam bab Transpor (lihat „Transpor“, Halaman 51).

Tiếng Việt

Hướng dẫn an toàn

Hướng dẫn an toàn chung cho dụng cụ điện

⚠ CẢNH BÁO Hãy đọc toàn bộ các cảnh báo an toàn, hướng dẫn, hình ảnh và thông số kỹ thuật được cung cấp cho dụng cụ điện cầm tay này. Không tuân thủ mọi hướng dẫn được liệt kê dưới đây có thể bị điện giật, gây cháy và /hay bị thương tật nghiêm trọng.

Hãy giữ tất cả tài liệu về cảnh báo và hướng dẫn để tham khảo về sau.

Thuật ngữ "dụng cụ điện cầm tay" trong phần cảnh báo là để cập đến sự sử dụng dụng cụ điện cầm tay của bạn, loại sử dụng điện nguồn (có dây cắm điện) hay vận hành bằng pin (không dây cắm điện).

Khu vực làm việc an toàn

- ▶ **Giữ nơi làm việc sạch và đủ ánh sáng.** Nơi làm việc bừa bộn và tối tăm dễ gây ra tai nạn.
- ▶ **Không vận hành dụng cụ điện cầm tay trong môi trường dễ gây nổ, chẳng hạn như nơi có chất lỏng dễ cháy, khí đốt hay rác.** Dụng cụ điện cầm tay tạo ra các tia lửa nên có thể làm rác bén cháy hay bốc khói.
- ▶ **Không để trẻ em hay người đến xem đứng gần khi vận hành dụng cụ điện cầm tay.** Sự phân tâm có thể gây ra sự mất điều khiển.

An toàn về điện

- ▶ **Phích cắm của dụng cụ điện cầm tay phải thích hợp với ổ cắm. Không bao giờ được cài biến lại phích cắm dưới mọi hình thức. Không được sử dụng phích tiếp hợp nối tiếp**

đất (dây mát). Phích cắm nguyên bản và ổ cắm đúng loại sẽ làm giảm nguy cơ bị điện giật.

- ▶ **Tránh không để thân thể tiếp xúc với đất hay các vật có bề mặt tiếp đất như đường ống, lò sưởi, hàng rào và tủ lạnh.** Có nhiều nguy cơ bị điện giật hơn nếu cơ thể bạn bị tiếp hay nối đất.
- ▶ **Không được để dụng cụ điện cầm tay ngoài mưa hay ở tình trạng ẩm ướt.** Nước vào máy sẽ làm tăng nguy cơ bị điện giật.
- ▶ **Không được làm dụng dây dẫn điện. Không bao giờ được nắm dây dẫn để xách, kéo hay rút phích cắm dụng cụ điện cầm tay. Không để dây gần nơi có nhiệt độ cao, dầu nhớt, vật nhọn bén và bộ phận chuyển động.** Làm hỏng hay cuộn rối dây dẫn làm tăng nguy cơ bị điện giật.
- ▶ **Khi sử dụng dụng cụ điện cầm tay ngoài trời, dùng dây nối thích hợp cho việc sử dụng ngoài trời làm giảm nguy cơ bị điện giật.**
- ▶ **Nếu việc sử dụng dụng cụ điện cầm tay ở nơi ẩm ướt là không thể tránh được, dùng thiết bị ngắt mạch tự động (RCD) bảo vệ nguồn.** Sử dụng thiết bị ngắt mạch tự động RCD làm giảm nguy cơ bị điện giật.

An toàn cá nhân

- ▶ **Hãy tỉnh táo, biết rõ mình đang làm gì và hãy sử dụng ý thức khi vận hành dụng cụ điện cầm tay.** Không sử dụng dụng cụ điện cầm tay khi đang mệt mỏi hay đang bị tác động do chất gây nghiện, rượu hay dược phẩm gây ra. Một thoáng mất tập trung khi đang vận hành dụng cụ điện cầm tay có thể gây thương tích nghiêm trọng cho bản thân.
- ▶ **Sử dụng trang bị bảo hộ cá nhân. Luôn luôn đeo kính bảo vệ mắt.** Trang bị bảo hộ như khẩu trang, giày chống trượt, nón bảo hộ, hay dụng cụ bảo vệ tai khi được sử dụng đúng nơi đúng chỗ sẽ làm giảm nguy cơ thương tật cho bản thân.
- ▶ **Phòng tránh máy khởi động bất ngờ. Bảo đảm công tắc máy ở vị trí tắt trước khi cắm vào nguồn điện và/hay lắp pin vào, khi nhắc máy lên hay khi mang xách máy.** Ngáng ngón tay vào công tắc máy để xách hay kích hoạt dụng cụ điện cầm tay khi công tắc ở vị trí mở dễ dẫn đến tai nạn.
- ▶ **Lấy mọi chìa hay khóa điều chỉnh ra trước khi mở điện dụng cụ điện cầm tay.** Khóa hay chìa còn gắn dính vào bộ phận quay của dụng cụ điện cầm tay có thể gây thương tích cho bản thân.
- ▶ **Không rướn người. Luôn luôn giữ tư thế đứng thích hợp và thăng bằng.** Điều này tạo cho việc điều khiển dụng cụ điện cầm tay tốt hơn trong mọi tình huống bất ngờ.

- ▶ **Trang phục thích hợp. Không mặc quần áo rộng lủng thụng hay mang trang sức. Giữ tóc và quần áo xa khỏi các bộ phận chuyển động.** Quần áo rộng lủng thụng, đồ trang sức hay tóc dài có thể bị cuốn vào các bộ phận chuyển động.
- ▶ **Nếu có các thiết bị đi kèm để nối máy hút bụi và các phụ kiện khác, bảo đảm các thiết bị này được nối và sử dụng tốt.** Việc sử dụng các thiết bị gom hút bụi có thể làm giảm các độc hại liên quan đến bụi gây ra.
- ▶ **Không để thói quen do sử dụng thường xuyên dụng cụ khiến bạn trở nên chủ quan và bỏ qua các quy định an toàn dụng cụ.** Một hành vi bất cẩn có thể gây ra thương tích nghiêm trọng chỉ trong tích tắc.

Sử dụng và bảo dưỡng dụng cụ điện cầm tay

- ▶ **Không được ép máy.** Sử dụng dụng cụ điện cầm tay đúng loại theo đúng ứng dụng của bạn. Dụng cụ điện cầm tay đúng chức năng sẽ làm việc tốt và an toàn hơn theo đúng tiến độ mà máy được thiết kế.
- ▶ **Không sử dụng dụng cụ điện cầm tay nếu như công tắc không tắt và mở được.** Bất kỳ dụng cụ điện cầm tay nào mà không thể điều khiển được bằng công tắc là nguy hiểm và phải được sửa chữa.
- ▶ **Rút phích cắm ra khỏi nguồn điện và/hay pin ra khỏi dụng cụ điện cầm tay nếu có thể tháo được, trước khi tiến hành bất kỳ điều chỉnh nào, thay phụ kiện, hay cất dụng cụ điện cầm tay.** Các biện pháp ngăn ngừa như vậy làm giảm nguy cơ dụng cụ điện cầm tay khởi động bất ngờ.
- ▶ **Cất giữ dụng cụ điện cầm tay không dùng tới nơi trẻ em không lấy được và không cho người chưa từng biết dụng cụ điện cầm tay hay các hướng dẫn này sử dụng dụng cụ điện cầm tay.** Dụng cụ điện cầm tay nguy hiểm khi ở trong tay người chưa được chỉ cách sử dụng.
- ▶ **Bảo quản dụng cụ điện cầm tay và các phụ kiện.** Kiểm tra xem các bộ phận chuyển động có bị sai lệch hay kẹt, các bộ phận bị rạn nứt và các tình trạng khác có thể ảnh hưởng đến sự vận hành của máy. Nếu bị hư hỏng, phải sửa chữa máy trước khi sử dụng. Nhiều tai nạn xảy ra do bảo quản dụng cụ điện cầm tay tồi.
- ▶ **Giữ các dụng cụ cất bên và sạch.** Bảo quản đúng cách các dụng cụ cất có cạnh sắc bén làm giảm khả năng bị kẹt và dễ điều khiển hơn.
- ▶ **Sử dụng dụng cụ điện cầm tay, phụ kiện, đầu cài v. v., đúng theo các chỉ dẫn này, hãy lưu ý đến điều kiện làm việc và công việc phải thực hiện.** Sự sử dụng dụng cụ điện cầm tay khác

với mục đích thiết kế có thể tạo nên tình huống nguy hiểm.

- ▶ **Giữ tay cầm và bề mặt nắm luôn khô ráo, sạch sẽ và không dính dầu mỡ.** Tay cầm và bề mặt nắm trơn trượt không đem lại thao tác an toàn và kiểm soát dụng cụ trong các tình huống bất ngờ.

Sử dụng và bảo quản dụng cụ dùng pin

- ▶ **Chỉ được sạc pin lại với bộ nạp điện do nhà sản xuất chỉ định.** Bộ nạp điện thích hợp cho một loại pin có thể gây nguy cơ cháy khi sử dụng cho một loại pin khác.
- ▶ **Chỉ sử dụng dụng cụ điện cầm tay với loại pin được thiết kế đặc biệt dành riêng cho máy.** Sử dụng bất cứ loại pin khác có thể dẫn đến thương tật hay cháy.
- ▶ **Khi không sử dụng pin, để cách xa các vật bằng kim loại như kẹp giấy, tiền xu, chìa khoá, đinh, ốc vít hay các đồ vật kim loại nhỏ khác, thứ có thể tạo sự nối tiếp từ một đầu cực với một đầu cực khác.** Sự chập mạch của các đầu cực với nhau có thể gây bỏng hay cháy.
- ▶ **Bảo quản ở tình trạng tối, dung dịch từ pin có thể tứa ra; tránh tiếp xúc.** Nếu vô tình chạm phải, hãy xối nước để rửa. Nếu dung dịch vào mắt, cần thêm sự hỗ trợ của y tế. Dung dịch tiết ra từ pin có thể gây ngứa hay bỏng.
- ▶ **Không được sử dụng bộ pin hoặc dụng cụ đã bị hư hại hoặc bị thay đổi.** Pin hỏng hoặc bị thay đổi có thể gây ra những tác động không lường trước được như cháy nổ hoặc nguy cơ thương tích.
- ▶ **Không đặt bộ pin hoặc dụng cụ ở gần lửa hoặc nơi quá nhiệt.** Tiếp xúc với lửa hoặc nhiệt độ cao trên 130 °C có thể gây nổ.
- ▶ **Tuân thủ tất cả các hướng dẫn nạp và không nạp bộ pin hay dụng cụ ở bên ngoài phạm vi nhiệt độ đã được quy định trong các hướng dẫn.** Nạp không đúng cách hoặc ở nhiệt độ ngoài phạm vi nạp đã quy định có thể làm hư hại pin và gia tăng nguy cơ cháy.

Bảo dưỡng

- ▶ **Đưa dụng cụ điện cầm tay của bạn đến thợ chuyên môn để bảo dưỡng, chỉ sử dụng phụ tùng đúng chủng loại để thay.** Điều này sẽ đảm bảo sự an toàn của máy được giữ nguyên.
- ▶ **Không bao giờ sửa chữa các bộ pin đã hư hại.** Chỉ cho phép nhà sản xuất hoặc các nhà cung cấp dịch vụ có ủy quyền thực hiện dịch vụ sửa chữa cho các bộ pin.

Cảnh Báo An Toàn cho Máy Khoan và Bất Vít

Hướng dẫn an toàn cho mọi hoạt động

- ▶ **Đeo bảo vệ tai khi khoan động lực.** Tiếp xúc với tiếng ồn có thể làm mất khả năng nghe.

- ▶ **Chỉ cắm dụng cụ điện tại các bề mặt cầm nắm có cách điện, khi thực hiện một thao tác tại vị trí mà phụ kiện cắt hoặc dụng cụ kẹp có thể tiếp xúc với dây điện ngầm.** Phụ kiện cắt hoặc dụng cụ kẹp tiếp xúc với dây "có điện" có thể làm cho các phần kim loại hở của dụng cụ điện cầm tay "có điện" và có thể gây ra điện giật cho người vận hành.

Hướng dẫn an toàn khi sử dụng các mũi khoan dài

- ▶ **Không vận hành ở tốc độ cao hơn tốc độ tối đa cho phép của mũi khoan.** Ở tốc độ cao hơn, mũi khoan có thể bị cong nếu cho phép xoay tự do mà không cho tiếp xúc với phôi gia công, dẫn đến thương tích cho người.
- ▶ **Luôn khởi động khoan ở tốc độ thấp và với đầu mũi khoan tiếp xúc với phôi gia công.** Ở tốc độ cao hơn, mũi khoan có thể bị cong nếu cho phép xoay tự do mà không cho tiếp xúc với phôi gia công, dẫn đến thương tích cho người.
- ▶ **Chỉ dùng áp lực vào đường trực tiếp bằng mũi khoan và không dùng áp lực dư.** Các mũi khoan có thể cong, gãy đứt hoặc mất kiểm soát, dẫn đến thương tích cho người.

Các cảnh báo phụ thêm

- ▶ **Giữ chặt dụng cụ điện.** Khi siết chặt và nối lỏng các vít, những mô-men phản ứng cao có thể xuất hiện trong thời gian ngắn.
- ▶ **Kẹp chặt vật gia công.** Vật gia công được kẹp bằng một thiết bị kẹp hay bằng ê-tô thì vững chắc hơn giữ bằng tay.
- ▶ **Dùng thiết bị dò tìm thích hợp để xác định nếu có các công trình công cộng lắp đặt ngầm trong khu vực làm việc hay liên hệ với Cty công trình công cộng địa phương để nhờ hỗ trợ.** Đụng chạm đường dẫn điện có thể gây ra hỏa hoạn và điện giật. Làm hư hại đường dẫn khí ga có thể gây nổ. Làm thủng ống dẫn nước có thể làm hư hại tài sản hay có thể gây ra điện giật.
- ▶ **Luôn luôn đợi cho máy hoàn toàn ngừng hẳn trước khi đặt xuống.** Dụng cụ lắp vào máy có thể bị kẹp chặt dẫn đến việc dụng cụ điện cầm tay bị mất điều khiển.
- ▶ **Trong trường hợp pin bị hỏng hay sử dụng sai cách, hơi nước có thể bốc ra. Pin có thể cháy hoặc nổ.** Hãy làm cho thông thoáng khí và trong trường hợp bị đau phải nhờ y tế chữa trị. Hơi nước có thể gây ngứa hệ hô hấp.
- ▶ **Không được tháo pin ra.** Nguy cơ bị chập mạch.
- ▶ **Pin có thể bị hư hại bởi các vật dụng nhọn như đinh hay tuốc-nơ-vít hoặc bởi các tác động lực từ bên ngoài.** Nó có thể dẫn tới đoản mạch nội bộ và làm pin bị cháy, bốc khói, phát nổ hoặc quá nóng.

- ▶ **Chỉ sử dụng pin trong các sản phẩm của nhà sản xuất.** Chỉ bằng cách này, pin sẽ được bảo vệ tránh nguy cơ quá tải.



Bảo vệ pin không để bị làm nóng, ví dụ, chống để lâu dài dưới ánh nắng gay gắt, lửa, chất bắn, nước, và sự ẩm ướt. Có nguy cơ nổ và chập mạch.

- ▶ **Tắt dụng cụ điện ngay nếu phụ tùng bị chặn.** Hãy chuẩn bị cho những mô-men phản ứng cao, mà gây ra sự dội ngược. Phụ tùng bị chặn, nếu dụng cụ điện bị quá tải hoặc bị kẹt trong phôi gia công cần gia công.

Mô Tả Sản Phẩm và Đặc Tính Kỹ Thuật



Đọc kỹ mọi cảnh báo an toàn và mọi hướng dẫn. Không tuân thủ mọi cảnh báo và hướng dẫn được liệt kê dưới đây có thể bị điện giật, gây cháy và / hay bị thương tật nghiêm trọng.

Xin lưu ý các hình minh họa trong phần trước của hướng dẫn vận hành.

Sử dụng đúng cách

Máy được cung cấp dành cho mục đích vận vào và tháo các vít và ốc khoan trên các chất liệu gỗ, kim loại, gốm và nhựa. Ngoài ra, GSB còn phù hợp với khoan xung động ngói, công trình xây gạch và đá.

Các bộ phận được minh họa

Sự đánh số các biểu trưng của sản phẩm là để tham khảo hình minh họa của máy trên trang hình ảnh.

- (1) Phần lắp dụng cụ
 - (2) Đầu cặp mũi khoan tự động
 - (3) Vòng điều chỉnh chọn trước mô-men xoắn
 - (4) Công tắc chọn chế độ vận hành (GSB)
 - (5) Công tắc chọn số
 - (6) Móc cài dây thắt lưng
 - (7) Pin^{A)}
 - (8) Nút tháo pin^{A)}
 - (9) Đèn làm việc (LED)
 - (10) Gạc vận chuyển đổi chiều quay
 - (11) Công tắc tắt/mở
 - (12) Ống cặp mũi khoan^{A)}.
 - (13) Tay nắm (bề mặt nắm cách điện)
 - (14) Đèn báo trạng thái nạp pin^{A)}
 - (15) Nút Đèn báo trạng thái nạp^{A)}
- A) Phụ tùng được trình bày hay mô tả không phải là một phần của tiêu chuẩn hàng hóa được giao kèm theo sản phẩm. Bạn có thể tham khảo tổng thể các loại phụ tùng, phụ kiện trong chương trình phụ tùng của chúng tôi.

Thông số kỹ thuật

Máy bắt vít pin		GSR 18V-50	GSB 18V-50
Máy khoan đập chạy pin			
Mã số máy		3 601 JH5 0..	3 601 JH5 1..
Điện thế danh định	V=	18	18
Tốc độ không tải ^{A)}			
– Số 1	min ⁻¹	0–460	0–460
– Số 2	min ⁻¹	0–1800	0–1800
Tần suất đập ^{A)}	min ⁻¹	–	0–27 000
mô men xoắn tối đa, ứng dụng cho việc bắt vít vào vật cứng/mềm ^{A)}	Nm	50/28	50/28
Ø lỗ khoan tối đa (1./2. vòng truyền lực)			
– Gõ	mm	35	35
– Thép	mm	13	13
– Công trình xây gạch	mm	–	13
Phạm vi mâm cặp kẹp được	mm	1,5–13	1,5–13
Ø vít máy tối đa	mm	10	10
Trọng lượng theo EPTA-Procedure 01:2014 ^{A)}	kg	1,4–2,4	1,4–2,5
nhiệt độ môi trường cho phép			
– trong quá trình sạc điện	°C	0 ... +35	0 ... +35
– trong quá trình vận hành ^{B)} và trong quá trình lưu trữ	°C	-20 ... +50	-20 ... +50
pin được khuyến dùng		GBA 18V... ProCORE18V...	GBA 18V... ProCORE18V...
thiết bị nạp được giới thiệu		GAL 18... GAX 18... GAL 36...	GAL 18... GAX 18... GAL 36...

A) tùy vào loại pin lốc đang sử dụng

B) hiệu suất giới hạn ở nhiệt độ <0 °C

Thông tin về Tiếng ồn/Độ rung

		GSR 18V-50	GSB 18V-50
Giá trị phát thải tiếng ồn được xác minh phù hợp với EN 62841-2-1 .			
Mức ồn loại A của dụng cụ điện thường là			
Các món được giao	dB(A)	72,5	88
Máy cưa, miếng chặn chống tưa và bộ hút	dB(A)	83,5	99
Hệ số bất định K	dB	5	5
Hãy đeo thiết bị bảo vệ tai!			
Tổng giá trị rung a _h (tổng vector của ba hướng) và hệ số bất định K được xác định theo EN 62841-2-1 .			
Khoan vào kim loại:			
a _h	m/s ²	2	1
K	m/s ²	1,5	1,5
Khoan xung động trên bê-tông:			
a _h	m/s ²	–	11

		GSR 18V-50	GSB 18V-50
K	m/s ²	-	1,5

Độ rung và giá trị phát thải tiếng ồn ghi trong những hướng dẫn này được đo phù hợp với một trong những quy trình đo và có thể được sử dụng để so sánh với các dụng cụ điện. Chúng cũng thích hợp cho việc đánh giá tạm thời áp lực rung và phát thải tiếng ồn.

Độ rung và giá trị phát thải tiếng ồn này đại diện cho những ứng dụng chính của dụng cụ điện. Tuy nhiên nếu dụng cụ điện được dùng cho các ứng dụng khác, với những phụ tùng khác hoặc bảo trì kém thì độ rung và giá trị phát thải tiếng ồn cũng có thể thay đổi. Điều này có thể làm tăng áp lực rung và phát thải tiếng ồn trong toàn bộ thời gian làm việc một cách rõ ràng.

Để đánh giá chính xác áp lực rung và phát thải tiếng ồn cần phải tính toán những lần máy chạy tắt hay bật nhưng không thực sự hoạt động. Điều này có thể làm giảm áp lực rung và phát thải tiếng ồn trong toàn bộ thời gian làm việc một cách rõ ràng. Thiết lập các biện pháp an toàn bổ sung để bảo vệ nhân viên vận hành trước ảnh hưởng do rung, ví dụ như: Bảo trì dụng cụ điện và các phụ tùng thay thế, giữ ấm tay, thiết lập các quy trình làm việc.

Sự lắp vào

- ▶ **Trước khi tiến hành bất cứ công việc gì với máy (ví dụ bảo dưỡng, thay dụng cụ v.v..) cũng như khi vận chuyển hay lưu kho, tháo pin ra khỏi dụng cụ điện.** Có nguy cơ gây thương tích khi vô tình làm kích hoạt công tắc Tắt/Mở.

Tháo Pin

- ▶ **Chỉ sử dụng bộ sạc được đề cập trong dữ liệu kỹ thuật.** Chỉ những bộ sạc này phù hợp cho dụng cụ điện cầm tay của bạn có sử dụng pin Li-Ion.

Hướng dẫn: Pin đã được sạc một phần. Để bảo đảm đầy đủ điện dung, nạp điện hoàn toàn lại cho pin trong bộ nạp điện pin trước khi sử dụng cho lần đầu tiên.

Pin Li-Ion hợp khối có thể nạp điện bất cứ lúc nào mà không làm giảm tuổi thọ của pin. Sự gián đoạn trong quá trình nạp điện không làm hư hại pin hợp khối.

Pin Li-Ion được bảo vệ ngăn sự phóng điện quá lớn nhờ vào "Electronic Cell Protection (ECP)". Nếu pin bị phóng điện, dụng cụ điện cầm tay sẽ được ngắt bởi một mạch bảo vệ: Dụng cụ điện không chuyển động nữa.

Quy trình hoạt động được chia ra làm hai giai đoạn.

Tháo pin ra

Pin (7) có hai mức khóa, có nhiệm vụ ngăn ngừa pin bị rơi ra do vô ý bấm phải nút tháo pin (8). Cứ khi nào pin còn được lắp trong dụng cụ điện, nó vẫn được giữ nguyên vị trí nhờ vào một lò xo.

Để tháo pin (7) bạn hãy ấn nút mở (8) và đẩy pin ra khỏi dụng cụ điện cầm tay. **Không dùng sức.**

Đèn báo trạng thái nạp pin

Các đèn LED màu xanh của màn hình hiển thị tình trạng sạc pin (14) chỉ ra tình trạng sạc của pin (7). Vì lý do an toàn, ta chỉ có thể kiểm tra trạng thái của tình trạng nạp điện khi máy đã ngừng hoạt động hoàn toàn.

Bấm vào nút hiển thị mức sạc (15), để hiển thị tình trạng sạc pin. Điều này cũng có thể thực hiện khi ắc quy được tháo ra.

Đèn LED không sáng sau khi nhấn nút hiển thị mức sạc (15) có nghĩa là pin bị hỏng và phải được thay thế.

Kiểu pin GBA 18V... (xem hình D1)

Đèn LED	Điện dung
Đèn sáng liên tục 3× xanh lục	60–100 %
Đèn sáng liên tục 2× xanh lục	30–60 %
Đèn sáng liên tục 1× xanh lục	5–30 %
Đèn xi nhan 3× xanh lục	0–5 %

Kiểu pin ProCORE18V... (xem hình D2)


Đèn LED	Điện dung
Đèn sáng liên tục 5× xanh lục	80–100 %
Đèn sáng liên tục 4× xanh lục	60–80 %
Đèn sáng liên tục 3× xanh lục	40–60 %
Đèn sáng liên tục 2× xanh lục	20–40 %
Đèn sáng liên tục 1× xanh lục	5–20 %
Đèn xi nhan 1× xanh lục	0–5 %

Thay Dụng Cụ (xem Hình A)

- ▶ **Trước khi tiến hành bất cứ công việc gì với máy (ví dụ bảo dưỡng, thay dụng cụ v.v..) cũng như khi vận chuyển hay lưu kho, tháo pin ra khỏi dụng cụ điện.** Có nguy cơ gây thương tích khi vô tình làm kích hoạt công tắc Tắt/Mở.

Khi công tắc Tắt/Mở không được nhấn (11) trục máy khoan sẽ bị khóa. Điều này làm cho việc thay dụng cụ ở mâm cặp được nhanh, tiện lợi và dễ dàng có thể thực hiện được.

Hãy mở mâm cặp mũi khoan tự động (2) bằng cách xoay theo hướng ①, cho đến khi có thể lắp được dụng cụ. Lắp dụng cụ vào.

Hãy xoay bạc lót của đầu cặp mũi khoan không chia (2) vào theo chiều xoay  của tay thật mạnh. Bằng cách đó, đầu cặp mũi khoan sẽ tự động được khóa.

Hút Dặm/Bụi

Mặt bụi từ các vật liệu được sơn phủ ngoài có chứa chì trên một số loại gỗ, khoáng vật và kim loại có thể gây nguy hại đến sức khỏe con người. Đụng chạm hay hít thở các bụi này có thể làm người sử dụng hay đứng gần bị dị ứng và/hoặc gây nhiễm trùng hệ hô hấp.

Một số mặt bụi cụ thể, ví dụ như bụi gỗ sồi hay đầu, được xem là chất gây ung thư, đặc biệt là có liên quan đến các chất phụ gia dùng xử lý gỗ (chất cromat, chất bảo quản gỗ). Có thể chỉ nên để thợ chuyên môn gia công các loại vật liệu có chứa amiăng.

- Tạo không khí thông thoáng nơi làm việc.
- Khuyến nghị nên mang mặt nạ phòng độc có bộ lọc cấp P2.

Tuân thủ các qui định của quốc gia bạn liên quan đến loại vật liệu gia công.

- ▶ **Tránh không để rác tích tụ tại nơi làm việc.**
Rác có thể dễ dàng bắt lửa.

Vận Hành

Bắt Đầu Vận Hành

Tháo Pin

Hướng dẫn: Việc sử dụng pin không phù hợp với dụng cụ điện có thể dẫn đến lỗi chức năng hoặc gây hỏng dụng cụ điện.

Hãy đẩy pin đã sạc (7) từ phía trước vào chân của dụng cụ điện cầm tay, cho đến khi pin được khóa an toàn.

Điều chỉnh hướng xoay (xem hình B)

Với gạc vận chuyển đổi chiều quay (10) bạn có thể thay đổi hướng xoay của dụng cụ điện. Tuy nhiên, việc này không thực hiện được khi công tắc Tắt/Mở được nhấn (11).

Quay phải: Để khoan hay bắt vít, đẩy gạc vận chuyển đổi chiều quay (10) sang trái đến cỡ chặn.

Xoay ngược chiều kim đồng hồ: Để nối lỏng hoặc tháo các vít và đai ốc hãy nhấn gạc vận chuyển đổi chiều quay (10) sang bên phải cho tới cỡ chặn.

Điều chỉnh chế độ vận hành



Khoan thường

GSB

Đặt vòng điều chỉnh chọn trước mô-men xoắn (3) thành biểu tượng „Khoan“.

GSB

Đặt chế độ hoạt động-công tắc chọn (4) lên biểu tượng Khoan.



Bắt vít

GSB

Thiết lập vòng điều chỉnh chọn trước mô-men xoắn (3) mức mô-men xoắn mong muốn.

GSB

Đặt chế độ hoạt động-công tắc chọn (4) lên biểu tượng Bắt vít.



Khoan xung động (GSB)

Đặt công tắc chọn chế độ hoạt động (4) thành biểu tượng „Khoan xung động“.

Bật/tắt

Để **vận hành thử** dụng cụ điện hãy nhấn công tắc Tắt/Mở (11) và nhấn giữ.

Đèn LED (9) bật sáng khi công tắc tắt/mở được nhấn nhẹ hoặc nhấn hết cỡ (11) và cho phép chiếu sáng khu vực làm việc ở các điều kiện chiếu sáng kém.

Để tắt máy, **nhả** công tắc Tắt/Mở (11) ra.

Điều chỉnh tốc độ

Bạn có thể điều tiết liên tục số vòng quay của dụng cụ điện đã bật, tùy vào việc bạn nhấn công tắc Tắt/Mở như thế nào (11).

Nhấn nhẹ trên công tắc Tắt/Mở (11) sẽ kích hoạt số vòng quay thấp. Tăng lực nhấn lên công tắc làm tăng tốc độ quay.

Chọn trước mô-men xoắn (Áp dụng cho chế độ vận hành Các vít)

Với vòng điều chỉnh chọn trước mô-men xoắn (3) bạn có thể chọn trước mô-men xoắn cần thiết ở 20 mức. Nếu đạt tới mô-men xoắn thiết lập, phụ tùng sẽ được dừng lại.

Sự chọn lực Truyền động, Cơ học

- ▶ **Chỉ kích hoạt công tắc chọn vòng truyền động (5) khi dụng cụ điện đã ngừng chạy.**

Số 1:

Tầm tốc độ cao hơn; dùng để khoan có đường kính nhỏ.

Số 2:

Tầm tốc độ cao; dùng để khoan đường kính nhỏ.

- ▶ **Luôn luôn đưa công tắc chọn số về vị trí dừng.** Nếu không, máy có thể bị làm hỏng.

Bảo Vệ Chống Quá Tải Dựa Trên Nhiệt Độ

Trong quá trình sử dụng sắp tới, không được để dụng cụ điện bị quá tải. Khi dụng cụ làm việc quá mức hoặc vượt qua phạm vi nhiệt độ vận hành cho phép, chỉ số vòng quay sẽ giảm hoặc dụng cụ điện bị tắt. Dụng cụ điện chỉ chạy với tốc độ tối đa sau khi đạt nhiệt độ vận hành cho phép.

Khóa tự động toàn bộ trục (Khóa tự động)

Khi công tắc Tắt/mở không được nhấn (11) trục máy khoan và khe cắm sẽ bị khóa.

Do vậy nên vẫn có thể bắt vít vào, ngay cả khi điện pin đã cạn và cho phép máy được sử dụng như là một tua-vít.

Hướng Dẫn Sử Dụng

► Chỉ đặt dụng cụ điện lên vít khi nó đã tắt.

Dụng cụ gài đang quay có thể bị tuột ra.

Trước khi bắt một vít lớn, dài hơn bình thường vào vật liệu cứng, nên khoan trước một lỗ nhỏ có cùng đường kính răng vít vào sâu vào khoảng 2/3 của chiều dài vít.

Để tháo chia vận vít hoặc ống cặp mũi khoan thông dụng, được phép dùng một dụng cụ hỗ trợ.

Bảo Dưỡng và Bảo Quản

Bảo Dưỡng Và Làm Sạch

► Trước khi tiến hành bất cứ công việc gì với máy (ví dụ bảo dưỡng, thay dụng cụ v.v..) cũng như khi vận chuyển hay lưu kho, tháo pin ra khỏi dụng cụ điện. Có nguy cơ gây thương tích khi vô tình làm kích hoạt công tắc Tắt/Mở.

► Để được an toàn và máy hoạt động đúng chức năng, luôn luôn giữ máy và các khe thông gió được sạch.

Dịch vụ hỗ trợ khách hàng và tư vấn sử dụng

Bộ phận phục vụ hàng sau khi bán của chúng tôi trả lời các câu hỏi liên quan đến việc bảo dưỡng và sửa chữa các sản phẩm cũng như phụ tùng thay thế của bạn. Sơ đồ mô tả và thông tin về phụ tùng thay thế cũng có thể tra cứu theo dưới đây:
www.bosch-pt.com

Đội ngũ tư vấn sử dụng của Bosch sẽ giúp bạn giải đáp các thắc mắc về sản phẩm và phụ kiện.

Trong tất cả các phản hồi và đơn đặt phụ tùng, xin vui lòng luôn luôn nhập số hàng hóa 10 chữ số theo nhãn của hàng hóa.

Việt Nam

CN CÔNG TY TNHH BOSCH VIỆT NAM TẠI

TP.HCM

Tầng 14, Ngôi Nhà Đức, 33 Lê Duẩn

Phường Bến Nghé, Quận 1, Thành Phố Hồ Chí Minh

Tel.: (028) 6258 3690

Fax: (028) 6258 3692 - 6258 3694

Hotline: (028) 6250 8555

Email: tuvankhachhang-pt@vn.bosch.com

www.bosch-pt.com.vn

www.baohanhbosch-pt.com.vn

Campuchia

Công ty TNHH Robert Bosch (Campuchia)
Đơn nguyên 8BC, GT Tower, Tầng 08, Đường 169,
Tiếp Khắc Blvd, Sangkat Veal Vong,
Khan 7 Makara, Phnom Penh
VAT TIN: 100 169 511
Tel.: +855 23 900 685
Tel.: +855 23 900 660
www.bosch.com.kh

Vận chuyển

Pin có chứa Li-Ion là đối tượng phải tuân theo các qui định của Pháp Luật về Hàng Hóa Nguy Hiểm. Người sử dụng có thể vận chuyển pin hợp khối bằng đường bộ mà không cần thêm yêu cầu nào khác.

Khi được vận chuyển thông qua bên thứ ba (vd. vận chuyển bằng đường hàng không hay đại lý giao nhận), phải tuân theo các yêu cầu đặc biệt về đóng gói và dán nhãn. Phải tham vấn chuyên gia về hàng hóa nguy hiểm khi chuẩn bị gói hàng.

Chỉ gửi pin hợp khối khi vỏ ngoài không bị hư hỏng. Dán băng keo hay che kín các điểm tiếp xúc hở và đóng gói pin hợp khối theo cách sao cho pin không thể xô dịch khi nằm trong bao bì. Ngoài ra, xin vui lòng chấp hành các qui định chi tiết có thể được bổ sung thêm của quốc gia.

Sự thải bỏ



Dụng cụ điện, pin, phụ kiện và bao bì cần được tái sử dụng theo quy định về môi trường.



Bạn không được ném dụng cụ điện và pin vào thùng rác gia đình!

Pin/ác quy:

Li-Ion:

Tuân thủ những hướng dẫn trong phần vận chuyển (xem „Vận chuyển“, Trang 58).

مخصص للاستعمال الخارجي من خطر الصدمات الكهربائية.

◀ **إن لم يكن بالإمكان تجنب تشغيل العدة الكهربائية في الأجواء الرطبة، فاستخدم مفتاح للوقاية من التيار المتخلف.** إن استخدام مفتاح للوقاية من التيار المتخلف يقلل خطر الصدمات الكهربائية.

أمان الأشخاص

◀ **كن يقظا وانتبه إلى ما تفعله واستخدم العدة الكهربائية بتعقل.** لا تستخدم عدة كهربائية عندما تكون متعبا أو عندما تكون تحت تأثير المخدرات أو الكحول أو الأدوية. عدم الانتباه للحظة واحدة عند استخدام العدة الكهربائية قد يؤدي إلى إصابات خطيرة.

◀ **قم لارتداء تجهيزات الحماية الشخصية. وارتد دائما نظارات واقية.** يعد ارتداء تجهيزات الحماية الشخصية، كقناع الوقاية من الغبار وأحذية الأمان الواقية من الانزلاق والوذو أو واقية الأذنين، حسب ظروف استعمال العدة الكهربائية، من خطر الإصابة بجروح.

◀ **تجنب التشغيل بشكل غير مقصود.** تأكد من كون العدة الكهربائية مطفأة قبل توصيلها بالتيار الكهربائي و/أو بالمركم، وقبل رفعها أو حملها. إن كنت تضع إصبعك على المفتاح أثناء حمل العدة الكهربائية أو إن وصلت الجهاز بالشبكة الكهربائية بينما لامفتاح على وضع التشغيل، قد يؤدي إلى وقوع الحوادث.

◀ **انزع أداة الضبط أو مفتاح الربط قبل تشغيل العدة الكهربائية.** قد تؤدي الأداة أو المفتاح المتواجد في جزء دوار من الجهاز إلى الإصابة بجروح.

◀ **تجنب أوضاع الجسم غير الطبيعية.** قف بأمان وحافظ على توازنك دائما. سيسمح لك ذلك بالتمكّن في الجهاز بشكل أفضل في المواقف الغير متوقعة.

◀ **قم بارتداء ثياب مناسبة.** لا ترتد الثياب الفضفاضة أو الحلى. احرص على إبقاء الشعر والملابس بعيدا عن الأجزاء المتحركة. قد تشابك الثياب الفضفاضة والحلى والشعر الطويل بالأجزاء المتحركة.

◀ **إن جاز تركيب تجهيزات شفط وتجميع الغبار، فتأكد من أنها موصولة وبأنه يتم استخدامها بشكل سليم.** قد يقلل استخدام تجهيزات لشفط الغبار من المخاطر الناتجة عن الغبار.

◀ **لا تستخدم العدة الكهربائية بلا مبالاة وتجاهل قواعد الأمان الخاصة بها نتيجة لتعودك على استخدام العدة الكهربائية وكثرة استخدامها.** فقد يتسبب الاستخدام دون حرص في حدوث إصابة بالغة تحدث في أجزاء من الثانية.

حسن معاملة واستخدام العدد الكهربائية

◀ **لا تفرط بتحميل الجهاز. استخدم لتفنيذ أشغالك العدة الكهربائية المخصصة لذلك.** إنك تعمل بشكل أفضل وأكثر أماناً بواسطة العدة الكهربائية الملائمة في مجال الأداء المذكور.

◀ **لا تستخدم العدة الكهربائية إن كان مفتاح تشغيلها تالف.** العدة الكهربائية التي لم يعد من

عربي

إرشادات الأمان

الإرشادات العامة للأمان بالعدد الكهربائية

تحذير

اطلع على كافة تحذيرات الأمان والتعليمات والصور والمواصفات المرفقة بالعدة الكهربائية. عدم اتباع التعليمات الواردة أدناه قد يؤدي إلى حدوث صدمة كهربائية، إلى نشوب حريق و/أو الإصابة بجروح خطيرة.

احتفظ بجميع الملاحظات التحذيرية والتعليمات للمستقبل.

يقصد بمصطلح «العدة الكهربائية» المستخدم في الملاحظات التحذيرية، العدد الكهربائي الموصولة بالشبكة الكهربائية (بواسطة كابل الشبكة الكهربائية) وأيضا العدد الكهربائي المزودة بمركم (دون كابل الشبكة الكهربائية).

الأمان بمكان الشغل

◀ **حافظ على نظافة مكان شغلك وإضاءته بشكل جيد.** الفوضى في مكان الشغل ونطاقات العمل غير المضأة قد تؤدي إلى وقوع الحوادث.

◀ **لا تشغل بالعدة الكهربائية في نطاق معرض لخطر الانفجار مثل الأماكن التي تتوفر فيه السوائل أو الغازات أو الأعبرة القابلة للاشتعال.** العدد الكهربائي تولد شررا قد يتطاير، فيشعل الأعبرة والأبخرة.

◀ **حافظ على بقاء الأطفال وغيرهم من الأشخاص بعيدا عندما تستعمل العدة الكهربائية.** تشتيت الانتباه قد يتسبب في فقدان السيطرة على الجهاز.

الأمان الكهربائي

◀ **يجب أن يتلائم قابس العدة الكهربائية مع المقبس.** لا يجوز تغيير القابس بأي حال من الأحوال. لا تستعمل القوابس المهائية مع العدد الكهربائية المؤرّضة (ذات طرف أرضي). تخفّف القوابس التي لم يتم تغييرها والمقابس الملائمة من خطر الصدمات الكهربائية.

◀ **تجنب ملامسة جسمك للأسطح المؤرّضة كالأنابيب والمبردات والمواقد أو التلّاجات.** يزداد خطر الصدمات الكهربائية عندما يكون جسمك مَوْض أو موصل بالأرضي.

◀ **أبعد العدة الكهربائية عن الأمطار أو الرطوبة.** يزداد خطر الصدمات الكهربائية إن تسرب الماء إلى داخل العدة الكهربائية.

◀ **لا تسيّ استعمال الكابل.** لا تستخدم الكابل في حمل العدة الكهربائية أو سحبها أو سحب القابس من المقبس. احرص على إبعاد الكابل عن الحرارة والزيت والحواف الحادة أو الأجزاء المتحركة. تزيد الكابلات التالفة أو المتشابكة من خطر الصدمات الكهربائية.

◀ **عند استخدام العدة الكهربائية خارج المنزل اقتصر على استخدام كابلات التمديد الصالحة للاستعمال الخارجي.** يقلل استعمال كابل تمديد

- ذلك. قد يؤدي سائل المركم المتسرب إلى تهيج البشرة أو إلى الاحتراق.
- ◀ لا تستخدم عدة أو مركم تعرضاً لأضرار أو للتعديل. البطاريات المعرضة لأضرار أو لتعدلات قد ينتج عنها أشياء لا يمكن التنبؤ بها، قد تسبب نشوب حريق أو حدوث انفجار أو إصابات.
- ◀ لا تعرض المركم أو العدة للهب أو لدرجة حرارة زائدة. التعرض للهب أو لدرجة حرارة أعلى من 130 °م قد يتسبب في انفجار.
- ◀ اتبع تعليمات الشحن ولا تقم بشحن المركم أو العدة خارج نطاق درجة الحرارة المحدد في التعليمات. الشحن بشكل غير صحيح أو في درجات حرارة خارج النطاق الممدد قد يعرض المركم لأضرار ويزيد من مخاطر الحريق.

الخدمة

- ◀ احرص على إصلاح عدتك الكهربائية فقط بواسطة العمال المتخصصين وباستعمال قطع الغيار الأصلية فقط. يضمن ذلك المحافظة على أمان الجهاز.
- ◀ لا تقم بإجراء أعمال خدمة على المراكم التالفة. أعمال الخدمة على المراكم يجب أن تقوم بها الجهة الصانعة فقط أو مقدم الخدمة المعتمد.

تعليمات الأمان لآلات الثقب ومفكات اللوالب

- تعليمات الأمان لكافة التطبيقات
- ◀ احرص على ارتداء واقبات السمع أثناء الثقب الطرقي. التعرض للضوضاء الناتجة عن ذلك قد يتسبب في فقدان السمع.
- ◀ أمسك العدة الكهربائية من أسطح المسك المعزولة عند القيام بأعمال قد يترتب عليها ملامسة ملحق القطع أو عناصر التثبيت لأسلاك كهربائية غير ظاهرة. ملامسة ملحق القطع أو أدوات الربط لسلك «مكهرب» قد يتسبب في مرور التيار في الأجزاء المعدنية من العدة وجعلها مكهربة مما قد يصيب المشغل بصدمة كهربائية.
- تعليمات الأمان عند استخدام ريش ثقب طويلة
- ◀ لا تقم أبداً بالتنشغيل بسرعة أعلى من السرعة القصوى المقررة لريشة الثقب. فعلى السرعات العالية ستكون الريشة معرضة للثني في حالة دورانها بشكل حر دون لمس قطعة الشغل، مما قد يؤدي لوقوع إصابات.
- ◀ احرص دائماً على بدء الثقب بسرعة منخفضة بحيث تكون رأس الريشة ملامسة لقطعة الشغل. فعلى السرعات العالية ستكون الريشة معرضة للثني في حالة دورانها بشكل حر دون لمس قطعة الشغل، مما قد يؤدي لوقوع إصابات.
- ◀ لا تضغط إلا على خط واحد مع الريشة، ولا تضغط بشكل زائد. فقد تتثنى الريشة، وتعرض للكسر أو تسبب فقدان السيطرة، مما يؤدي لوقوع إصابات.

إرشادات الأمان الإضافية

- ◀ أمسك بالعدة الكهربائية بإحكام. قد تتشكل عزوم رد فعل عالية لوهلة قصيرة عند إحكام شد وحط اللوالب.

- الممكن التحكم بها عن طريق مفتاح التشغيل والإطفاء تعتبر خطيرة ويجب أن يتم إصلاحها.
- ◀ اسحب القابس من المقبس و/أو اخلع المركم، إذا كان قابلاً للخلع، قبل ضبط الجهاز وقبل استبدال الملحقات أو قبل تخزين الجهاز. تمنع هذه الإجراءات وقائية تشغيل العدة الكهربائية بشكل غير مقصود.
- ◀ احتفظ بالعدة الكهربائية التي لا يتم استخدامها بعيداً عن متناول الأطفال. لا تسمح باستخدام العدة الكهربائية لمن لا خبرة له بها أو لمن لم يقرأ تلك التعليمات. العدد الكهربائي خطيرة إن تم استخدامها من قبل أشخاص دون خبرة.
- ◀ اعتن بالعدة الكهربائية والملحقات بشكل جيد. تأكد أن أجزاء الجهاز المتحركة مركبة بشكل سليم وغير مستعصية عن الحركة، وتفحص ما إن كانت هناك أجزاء مكسورة أو في حالة تؤثر على سلامة أداء العدة الكهربائية. ينبغي إصلاح هذه الأجزاء التالفة قبل إعادة تشغيل الجهاز. الكثير من الموادث مصدرها العدد الكهربائي التي تتم صيانتها بشكل رديء.
- ◀ احرص على إبقاء عدد القطع نظيفة وحادة. إن عدد القطع ذات حواف القطع المادة التي تم صيانتها بعناية تتكلم بشكل أقل ويمكن توجيهها بشكل أيسر.
- ◀ استخدم العدد الكهربائي والتوايح وريش الشغل إلخ. وفقاً لهذه التعليمات. تراعى أثناء ذلك ظروف الشغل والعمل المراد تنفيذه. استخدام العدد الكهربائي لغير الأشغال المخصصة لأجلها قد يؤدي إلى حدوث الحالات الخطيرة.
- ◀ احرص على إبقاء المقابض وأسطح المسك جافة ونظيفة وخالية من الزيوت والشحوم. المقابض وأسطح المسك الزلقة لا تتبع التشغيل والتحكم الآمن في العدة في المواقف غير المتوقعة.
- حسن معاملة واستخدام العدد المزودة بمركم اشحن المراكم فقط في أجهزة الشحن التي يُنصح باستخدامها من طرف المنتج. قد يتسبب جهاز الشحن المخصصة لنوع معين من المراكم في خطر الحريق إن تم استخدامه مع نوع آخر من المراكم.
- ◀ استخدم العدد الكهربائي فقط مع المراكم المصممة لهذا الغرض. قد يؤدي استخدام المراكم الأخرى إلى إصابات وإلى خطر نشوب المرائق.
- ◀ حافظ على إبعاد المركم الذي لا يتم استعماله عن مشابك الورق وقطع النقود المعدنية والمفاتيح والمسامير واللوالب أو غيرها من الأغراض المعدنية الصغيرة التي قد تقوم بتوصيل الملامسين ببعضهما البعض. قد يؤدي تقصير الدارة الكهربائية بين ملامسي المركم إلى الاحتراق أو إلى اندلاع النار.
- ◀ قد يتسرب السائل من المركم في حالة سوء الاستعمال. تجنب ملامسته. اشطفه بالماء في حال ملامسته بشكل غير مقصود. إن وصل السائل إلى العينين، فراجع الطبيب إضافة إلى

يرجى الرجوع إلى الصور الموجودة في الجزء الأول من دليل التشغيل.

الاستعمال المخصص

العدة الكهربائية مخصصة لربط وحل اللوالب بالإضافة إلى الثقب في الخشب والمعدن والسيراميك واللدائن. العدة الكهربائية GSB مخصصة بالإضافة إلى ذلك للثقب الطرقي في الطوب والجدران والحجر.

الأجزاء المصورة

يشير ترقيم الأجزاء المصورة إلى رسوم العدة الكهربائية الموجودة في صفحة الرسوم التخطيطية.

- (1) حاضن العدة
- (2) ظرف ريش الثقب سريع الربط
- (3) حلقة ضبط اختيار عزم الدوران مسبقا
- (4) مفتاح اختيار أنواع التشغيل (GSB)
- (5) مفتاح اختيار ترس السرعة
- (6) مشبك حزام
- (7) المرمك^(A)
- (8) زر فك إقفال المرمك^(A)
- (9) ضوء العمل (LED)
- (10) مفتاح تحويل اتجاه الدوران
- (11) مفتاح التشغيل والإطفاء
- (12) مثبت لقم^(A)
- (13) مقبض (مقبض مسك معزول)
- (14) زر ممين حالة شحن المرمك^(A)
- (15) زر مؤشر حالة الشحن^(A)

◀ **احرص على تأمين قطعة الشغل.** قطعة الشغل المثبتة بواسطة تجهيزة شدّ أو بواسطة الملزمة مثبتة بأمان أكبر مما لو تم الإمساك بها بواسطة يدك.

◀ **استخدم أجهزة تنقيب ملائمة للعثور على خطوط الإمداد غير الظاهرة، أو استعن بشركة الإمداد المحلية.** ملامسة الخطوط الكهربائية قد تؤدي إلى اندلاع النار وإلى الصدمات الكهربائية. حدوث أضرار بخط الغاز قد يؤدي إلى حدوث انفجارات. اختراق خط الماء يتسبب في وقوع أضرار مادية.

◀ **انتظر إلى أن تتوقف العدة الكهربائية عن الحركة قبل أن تضعها جانباً.** قد تتكلم عدة الشغل فتؤدي إلى فقدان السيطرة على العدة الكهربائية.

◀ **قد تنطلق أبخرة عند تلف المرمك واستخدامه بطريقة غير ملائمة. يمكن أن يحترق المرمك أو يتعرض للانفجار.** أمن توفير الهواء النقي وراجع الطبيب إن شعرت بشكوى. قد تهيج هذه الأبخرة المجاري التنفسية.

◀ **لا تفتح المرمك.** يتشكل خطر تقصير الدائرة الكهربائية.

◀ **يمكن أن يتعرض المرمك لأضرار من خلال الأشياء المدببة مثل المسامير والمفكات أو من خلال تأثير القوى الخارجية.** وقد يؤدي هذا إلى تقصير الدائرة الكهربائية الداخلية واحترق المرمك وأخروج الأدخنة منه أو انفجاره وتعرضه لسخونة مفرطة.

◀ **اقتصر على استخدام المرمك في منتجات الجهة الصانعة.** يتم حماية المرمك من فرط التحميل الخطير بهذه الطريقة فقط دون غيرها.

احرص على حماية المرمك من الحرارة، بما ذلك التعرض لأشعة الشمس باستمرار ومن النار والأتساخ والماء والرطوبة. حيث ينشأ خطر الانفجار وخطر حدوث دائرة قصر.



◀ **أوقف العدة الكهربائية على الفور في حالة تعرض عدة الشغل للانحصار. كن مستعداً لمواجهة عزم رد الفعل العالية، والتي تسبب صدمة ارتدادية.** تنمصر عدة الشغل عندما يتم التحميل بشكل زائد على العدة الكهربائية أو إذا انقمت في قطعة الشغل التي تعمل عليها.

وصف المنتج والأداء

اقرأ جميع إرشادات الأمان والتعليمات. ارتكاب الأخطاء عند تطبيق إرشادات الأمان والتعليمات، قد يؤدي إلى حدوث صدمات الكهربائية أو إلى نشوب الحرائق و/أو الإصابة بجروح خطيرة.



(A) لا يتضمن إطار التوريد الاعتيادي التوابع المصورة أو المشروحة. تجد التوابع الكاملة في برنامجنا للتوابع.

البيانات الفنية

GSB 18V-50	GSR 18V-50	مفك لوالب بمرمك مثقاب مرفق بالطرق عامل بمرمك
3 601 JH5 1..	3 601 JH5 0..	رقم الصنف

GSB 18V-50	GSR 18V-50	مفك لولاب بمركم مثقاب مرفق بالطرق عامل بمركم	
18	18	فلط=	الجهد الاسمي
عدد اللفات اللاحملي ^(A)			
0-460	0-460	دقيقة ⁻¹	- السرعة الأولى
0-1800	0-1800	دقيقة ⁻¹	- السرعة الثانية
0-27000	-	دقيقة ⁻¹	عدد الطرقات ^(A)
50/28	50/28	نيوتن متر	عزم الدوران الأقصى بحالة ربط لولاب قاسية/لين ^(A)
أقصى قطر ثقب (السرعة الأولى/الثانية)			
35	35	مم	- خشب
13	13	مم	- فولاذ
13	-	مم	- الجدران
1,5-13	1,5-13	مم	مجال شد طرف المثقاب
10	10	مم	القطر الأقصى للولاب
1,4-2,5	1,4-2,4	كجم	الوزن حسب EPTA-Procedure ^(A) 01:2014
درجة الحرارة المحيطة المسموح بها			
0 ... +35	0 ... +35	م°	- عند الشحن
-20 ... +50	-20 ... +50	م°	- عند التشغيل ^(B) وعند التخزين
GBA 18V... ProCORE18V...	GBA 18V... ProCORE18V...		المركم الموصى بها
GAL 18... GAX 18... GAL 36...	GAL 18... GAX 18... GAL 36...		أجهزة الشحن الموصى بها

(A) حسب المركم المُستخدم

(B) قدرة محدودة في درجات الحرارة > 0 م°

معلومات عن الضجيج والاهتزازات

GSB 18V-50	GSR 18V-50		
تتمدد قيم انبعاث الضجيج طبقا للمواصفة EN 62841-2-1 .			
يبلغ مستوى الضجيج المعتاد للعدة الكهربائية والمقدر بالفئة A			
88	72,5	ديسبيل (A)	مستوى ضغط الصوت
99	83,5	ديسبيل (A)	مستوى قدرة الصوت
5	5	ديسبيل	نسبة التفاوت K
قم بارتداء واقية سمع.			
قيم انبعاث الاهتزازات الإجمالية a_{hv} (مجموع المتجهات بثلاثة اتجاهات) ونسبة التفاوت K ممسوبة طبقا للمواصفة EN 62841-2-1 .			
الثقب في المعادن:			
1	2	م ² /م	a_{hv}
1,5	1,5	م ² /م	K
الثقب المرفق بالطرق في الخرسانة:			
11	-	م ² /م	a_{hv}
1,5	-	م ² /م	K

تم قياس مستوى الاهتزازات ومستوى الضوضاء المذكورين في التعليمات هذه حسب أسلوب قياس

مبين حالة شحن المرمك

تشير مصابيح الدايدود الخضراء الفاصحة بمبين حالة شحن المرمك (14) لئالة شحن المرمك (7). لأسباب تتعلق بالسلامة فإنه لا يمكن الاستعلام عن حالة الشحن إلا والعدة متوقفة.

اضغط على زر مبين حالة شحن المرمك (15) لإظهار حالة الشحن. يمكن هذا أيضا والمركم مخرج. إذا لم يضيء أي مصباح دايدود بعد الضغط على زر مبين حالة شحن المرمك (15)، فهذا يعني أن المرمك تالف ويجب تغييره.

نوع المرمك GBA 18V... (انظر الصورة D1)

مصابيح الدايدود	السعة
ضوء مستمر ×3 أخضر	60-100 %
ضوء مستمر ×2 أخضر	30-60 %
ضوء مستمر ×1 أخضر	5-30 %
الإضاءة الومضة ×3 أخضر	0-5 %

نوع المرمك ProCORE18V... (انظر الصورة D2)

مصابيح الدايدود	السعة
ضوء مستمر ×5 أخضر	80-100 %
ضوء مستمر ×4 أخضر	60-80 %
ضوء مستمر ×3 أخضر	40-60 %
ضوء مستمر ×2 أخضر	20-40 %
ضوء مستمر ×1 أخضر	5-20 %
الإضاءة الومضة ×1 أخضر	0-5 %

استبدال العدد (انظر الصورة A)

◀ انزع المرمك عن العدة الكهربائية قبل إجراء أي أعمال بالعدة الكهربائية (مثلاً: الصيانة، استبدال العدد وإلخ..). وأيضاً عند نقلها أو تخزينها. هناك خطر إصابة بجروح عند الضغط على مفتاح التشغيل والإطفاء بشكل غير مقصود.

عند عدم الضغط على مفتاح التشغيل والإطفاء (11) يتم تثبيت محور دوران المثقاب. يسمح ذلك باستبدال عدة الشغل بظرف المثقاب بشكل سريع ومرجع وبسيط.

افتح ظرف ريش الثقب سريع الربط (2) من خلال إدارته في اتجاه دوران ①، إلى أن تتمكن من تلقيم العدة. قم بتركيب العدة. أغلق جلبة ظرف ريش الثقب سريع الربط (2) بإدارتها في الاتجاه ② يدويا بقوة. يتم تأمين قفل ظرف ريش الثقب بذلك أوتوماتيكيا.

شفط الغبار/النشارة

إن أغبرة بعض المواد كالبلاستيك الذي يحتوي على الرصاص، وبعض أنواع الخشب والفلزات والمعادن، قد تكون مضرّة بالصحة. إن ملامسة أو استنشاق الأغبرة قد يؤدي إلى ردود فعل زائدة الحساسية و/أو إلى أمراض المجاري التنفسية لدى المستخدم أو لدى الأشخاص المتواجدين على مقربة من المكان. تعتبر بعض الأغبرة المعينة، كأغبرة البلوط والزاد مسببات السرطان، وبالأخص عند اتصالها بالمواد الإضافية الخاصة بمعالجة الخشب (ملع حامض

معير، حيث يمكن استخدام هذا القياس لمقارنة العدد الكهربائية بعضها ببعض. كما أنه ملائم لتقدير انبعاث الاهتزازات والضوضاء بشكل مبدئي.

يمثل مستوى الضوضاء ومستوى الاهتزازات المذكوران الاستخدامات الأساسية للعدة الكهربائية. في حالة استعمال العدة الكهربائية لاستخدامات أخرى بعدد شغل مخالفة أو بصيانة غير كافية، فقد تختلف قيم انبعاث الاهتزازات والضوضاء. وقد يزيد ذلك من انبعاث الاهتزازات والضوضاء طوال فترة التشغيل بشكل واضح.

كما ينبغي من أجل تقدير انبعاث الاهتزازات والضوضاء بشكل دقيق أن يتم مراعاة الأوقات التي يطفأ خلالها الجهاز أو التي يعمل بها ولكن دون تشغيله بحمل فعلا. وقد يخفف ذلك انبعاث الاهتزازات والضوضاء بشكل واضح عبر كامل مدة العمل.

حدد إجراءات أمان إضافية لوقاية المستخدم من تأثير الاهتزازات، مثلا: صيانة العدة الكهربائية وعدد الشغل، تدفئة اليدين وتنظيف أوقات العمل.

التركيب

◀ انزع المرمك عن العدة الكهربائية قبل إجراء أي أعمال بالعدة الكهربائية (مثلاً: الصيانة، استبدال العدد وإلخ..). وأيضاً عند نقلها أو تخزينها. هناك خطر إصابة بجروح عند الضغط على مفتاح التشغيل والإطفاء بشكل غير مقصود.

شحن المرمك

◀ اقتصر على استخدام أجهزة الشحن المذكورة في المواصفات الفنية. أجهزة الشحن هذه دون غيرها هي المتوائمة مع مرمك أيونات الليثيوم المستخدم في عدتك الكهربائية.

ملحوظة: يتم تسليم المرمك وهو بحالة شحن جزئي. لضمان قدرة أداء المرمك الكاملة، يتوجب شحن المرمك في تجهيزة الشحن بشكل كامل قبل الاستعمال لأول مرة.

يمكن أن يتم شحن مرمك أيونات الليثيوم في أي وقت، دون أن يقلل ذلك من فترة صلاحيته. لا يتسبب قطع عملية الشحن في الإضرار بالمرمك.

لقد تم وقاية مرمك أيونات الليثيوم من التفريغ الشديد بواسطة واقية الخلايا الإلكترونية، "Electronic Cell Protection (ECP)". يتة إطفاء العدة الكهربائية بواسطة قارئة وقائية عندما يفرغ المرمك: لن تتحرك عدة الشغل عندئذ. تراعى الملاحظات بصدد التخلص من العدد.

نزع المرمك

يمتاز المرمك (7) بدرجتي إقفال اثنتين والتي عليها أن تمنع سقوط المرمك للخارج في حال ضغط زر فك إقفال المرمك بشكل غير مقصود (8). يتم تثبيت المرمك بواسطة نابض مادام مركبا في العدة الكهربائية.

لخلع المرمك (7) اضغط على زر فك الإقفال (8) واجذب المرمك من العدة الكهربائية من الجانب. لا تستخدم القوة أثناء ذلك.

بضوء المصباح (9LED) عند الضغط على مفتاح التشغيل والإطفاء (11) بشكل جزئي أو كامل ويسمح بإضاءة مكان الشغل إن كانت ظروف الإضاءة غير ملائمة.

لغرض إطفاء العدة الكهربائية اترك مفتاح التشغيل والإطفاء (11).

ضبط عدد الدوران

يمكنك أن تتحكم بعدد دوران العدة الكهربائية قيد التشغيل دون تدريج، حسب مدى الضغط على مفتاح التشغيل والإطفاء (11).

يؤدي الضغط الخفيف على مفتاح التشغيل والإطفاء (11) إلى عدد لفات منخفض. يزداد عدد اللفات بزيادة الضغط.

الاختيار المسبق لعزم الدوران (يسري على نوع التشغيل ربط اللوالب)

تسمح لك حلقة ضبط اختيار عزم الدوران مسبقاً (3) بضبط عزم الدوران المطلوب على 20 درجة بشكل مسبق. بمجرد الوصول إلى عزم الدوران المضبوط يتم إيقاف عدة الشغل.

اختيار ترس السرعة يدويا

◀ اضبط مفتاح اختيار ترس السرعة (5) فقط عندما تكون العدة الكهربائية متوقفة عن الحركة.

السرعة الأولى:

مجال عدد دوران منخفض، للشغل بقطر تثقيب كبير أو لربط اللوالب.

السرعة الثانية:

مجال عدد لفات مرتفع للعلم بقطر ثقب صغير.

◀ ادفع مفتاح اختيار ترس السرعة دائماً إلى حد التصادم. وإلا، فقد تتعرض العدة الكهربائية للضرر.

وسيلة الحماية من التحميل الزائد المرتبطة بدرجة الحرارة

في حالة الاستعمال المطابق للتعليمات لا يمكن أن تتعرض العدة الكهربائية للتحميل الزائد. في حالة التحميل الشديد أو الخروج من النطاق المسموح به لدرجة حرارة التشغيل يتم تقليل عدد اللفات. لا تعمل العدة الكهربائية بسرعة الدوران الكاملة إلا بعد الوصول إلى درجة الحرارة المقررة للتشغيل مرة أخرى.

تثبيت آلي كامل لمحور الدوران (إقفال آلي)

عندما يكون مفتاح التشغيل/الإطفاء (11) غير مضغوط يتم تثبيت محور دوران المثقاب وبالتالي الحاضر.

ويسمح ذلك بربط اللوالب حتى لو كان المرمك فارغ أو باستخدام العدة الكهربائية بمثابة مفك براغي اعتيادي.

إرشادات العمل

◀ ضع العدة الكهربائية على اللولب فقط عندما تكون مطفاة. قد تنزلق عدد الشغل الدوارة.

قبل ربط اللوالب الكبيرة الطويلة في الخامات القاسية، ينصح بإجراء ثقب تمهيدي بقطر 2/3 اللولب وبمقدار 2/3 طول اللولب.

الكروميك، المواد المافظة للخشب). يجوز أن يتم معالجة المواد التي تحتوي على الأسبستوس من قبل العمال المتخصصين فقط دون غيرهم.

– حافظ على تهوية مكان الشغل بشكل جيد.

– ينصح بارتداء قناع وقاية للتنفس من فئة المرشح P2.

تراعى الأحكام السارية في بلدكم بالنسبة للمواد المرغوب معالجتها.

◀ تجنب تراكم الغبار بمكان العمل. يجوز أن تشتعل الأعبرة بسهولة.

التشغيل

بدء التشغيل

تركيب المرمك

إرشاد: استخدام المراكم غير المناسبة لعدتك الكهربائية يمكن أن يؤدي إلى حدوث اختلالات وظيفية أو إلى إلحاق الضرر بالعدة الكهربائية. أدخل المرمك المشحون (7) إلى قاعدة العدة الكهربائية من الأمام إلى أن يتم تأمين قفل المرمك.

ضبط اتجاه الدوران (انظر الصورة B)

يمكنك أن تغير اتجاه دوران العدة الكهربائية (10) بواسطة مفتاح تغيير اتجاه الدوران. إلا أنه لا يمكن تغييره عندما يكون مفتاح التشغيل والإطفاء (11) مضغوطاً.

دوران يميني: للتعب ولربط اللوالب، اضغط على مفتاح تحويل اتجاه الدوران (10) إلى اليسار حتى النهاية.

دوران إلى اليسار: لحل أو فك اللوالب والصواميل اضغط مفتاح تغيير اتجاه الدوران (10) إلى اليمين حتى المصد.

ضبط نوع التشغيل

الثقب

GSR

اضبط طارة ضبط الاختيار المسبق لعزم الدوران (3) على رمز «الثقب».

GSB

اضبط زر اختيار نوع التشغيل (4) على الرمز "الثقب".

لوالب

GSR

اضبط طارة ضبط الاختيار المسبق لعزم الدوران (3) على عزم الدوران المرغوب.

GSB

اضبط زر اختيار نوع التشغيل (4) على الرمز "الربط".

الثقب المرفق بالطرق (GSB)

اضبط زر اختيار نوع التشغيل (4) على رمز «الثقب المرفق بالطرق».

التشغيل والإطفاء

لغرض تشغيل العدة الكهربائية اضغط على مفتاح التشغيل والإطفاء (11) وحافظ على إبقاءه مضغوطاً.

صندوق بريد صندوق 164 - 13002 الصفاة
هاتف: 24810844
فاكس: 24810879
بريد إلكتروني: josephkr@aaalmutawa.com

لبنان

طحيني هنا وشركاه ش.ذ.م.م.
صندوق بريد صندوق 449-90
جديده
الدورة-بيروت
هاتف: +9611255211
بريد إلكتروني: service-pt@tehini-hana.com

المغرب

Robert Bosch Morocco SARL
53, شارع الملازم محمد محروم
20300 الدار البيضاء
الهاتف: +212 5 29 31 43 27
البريد الإلكتروني: sav.outillage@ma.bosch.com

عمان

ملتن للتجارة والمقاولات ش.م.م.
صندوق بريد 131، روى، مسقط
الكود البريدي: 112، سلطنة عمان
هاتف: +968 2479 4035/4089/4901
جوال: +968-91315465
فاكس: +968 2479 4058
البريد الإلكتروني: sudhirkumar@malatan.net

قطر

الدولية ل حلول البناء ش.م.م.
صندوق بريد صندوق 51،
هاتف الدوحة: +974 40065458
فاكس: +974 4453 8585
بريد إلكتروني: csd@icsdooha.com

المملكة العربية السعودية

شركة الجفلي للمعدات الفنية (جيتكو)
صندوق بريد: 1049 - جدة 21431 - المملكة العربية
السعودية
جدة: 00966 (0) 12 692 0770 - داخلي 433
الرياض: 00966 (0) 11 409 3976
داخلي 30/34/39-
الدمام: 00966 (0) 13 833 9565
البريد الإلكتروني: M.Zreik@ejb.com.sa

سوريا

مؤسسة دلال للمعدات الكهربائية
دمشق. شارع البرامكة - شارع بن عامر
هاتف: +963112241006 أو 009631122414009
الجوال: 00963991141005
البريد الإلكتروني: rita.dallal@hotmail.com

تونس

روبرت بوش تونس ش.ذ.م.م.
7 زنقة ابن بطوطة Z.I. سان جوبان
مقرين رياض
2014 ابن عروس
هاتف: +216 71 427 496/879
فاكس: +216 71 428 621
بريد إلكتروني: sav.outillage@tn.bosch.com

لفك لقمة مفك البراغي أو حامل اللقم العام يجوز
استخدام أداة مساعدة.

الصيانة والخدمة

الصيانة والتنظيف

◀ انزع المرمك عن العدة الكهربائية قبل إجراء
أي أعمال بالعدة الكهربائية (مثلاً: الصيانة،
استبدال العدد وإلخ..). وأيضاً عند نقلها أو
تخزينها. هناك خطر إصابة بجروح عند الضغط على
مفتاح التشغيل والإطفاء بشكل غير مقصود.
◀ للعمل بشكل جيد وأمن حافظ دائماً على
نظافة العدة الكهربائية وفتحات التهوية.

خدمة العملاء واستشارات الاستخدام

يجيب مركز خدمة العملاء على الأسئلة المتعلقة بإصلاح
المنتج وصيانتته، بالإضافة لقطع الغيار. تجد الرسوم
التفصيلية والمعلومات الخاصة بقطع الغيار في
الموقع: www.bosch-pt.com
يسر فريق Bosch لاستشارات الاستخدام مساعدتك
إذا كان لديك أي استفسارات بخصوص منتجاتنا
وملحقاتها.
يلزم ذكر رقم الصنف ذو الخانات العشر وفقاً للوحة
صنع المنتج عند إرسال أية استفسارات أو طلبات
قطع غيار.

البحرين

شركة الجفلي وإخوانه للمعدات الفنية.
مملكة البحرين، العكر - بلوك 0624 - شارع 2403 -
مبنى 0055D
الهاتف: +97317704537
فاكس: +973177045257
البريد الإلكتروني: h.berjas@ejb.com.sa

مصر

RBEG-LLC
22 كمال الدين حسين
شيراتون هليوبوليس
11799 القاهرة
البريد الإلكتروني:
boschegypt.powertools@eg.bosch.com

العراق

Sahba Technology Group
شارع مطار المثني
بغداد
هاتف بغداد: 930366 7 901 (0) 964
هاتف دبي: 4 422 1898 (0) 971
البريد الإلكتروني: duraid@sahbatechnology.com

الأردن

شركة الجذور العربية Roots Arabia - الأردن
شارع الحرية، المقابيلين
عمان 11623، الأردن
صندوق بريد: 110068
هاتف: +962 6 4398990
البريد الإلكتروني: bosch@rootsjordan.com

الكويت

منطقة الشويخ الصناعية، مبنى 1، قطعة 16، شارع
رقم 3

الإمارات العربية المتحدة

المركزية للسيارات والمعدات،
صندوق بريد 26255، دبي
00971 (0) 4 3090920/3090930 دبي:
أبو ظبي: 00971 (0) 2 4017745
الشارقة: 00971 (0) 6 5932777
العين: 00971 (0) 3 7157419
البريد الإلكتروني:
Mallappa.Madari@centralmotors.ae

اليمن

مؤسسة أبو الرجال التجارية
صنعاء، شارع الزبيري. أمام مبنى البرلمان الجديد
هاتف: +967-1-202010
فاكس: +967-1-471917
بريد إلكتروني: /tech-tools@abualrejal.com
yahya@abualrejal.com

النقل

تخضع مراكم أيونات الليثيوم المركبة لأحكام قانون المواد الخطيرة. يسمح للمستخدم أن يقوم بنقل المراكم على الطرقات دون التقيد بأية شروط إضافية.

عندما يتم إرسالها عن طريق طرف آخر (مثلاً: الشحن الجوي أو شركة شحن)، يتوجب التقيد بشروط خاصة بصدد التغليف ووضع العلامات. ينبغي استشارة خبير متخصص بنقل المواد الخطيرة عندما يرغب بتحضير المرمك المراد شحنه في هذه الحالة.

لا تقوم بشحن المراكم إلا إذا كان هيكلها الخارجي سليم. قم بتغطية الملامسات المكشوفة ن بلاصقات، و قم بتغليف المرمك بحيث لا يتحرك في الطرد. يرجى أيضاً مراعاة التشريعات المحلية المتعلقة إن وجدت.

التخلص من العدة الكهربائية

يجب التخلص من العدة الكهربائية والمركم والتوابع والتغليف بطريقة صديقة للبيئة عن طريق النفايات القابلة لإعادة التصنيع.

لا تلقِ العدد الكهربائي والمراكم/البطاريات ضمن النفايات المنزلية!

**المراكم/البطاريات:****مراكم أيونات الليثيوم:**

يرجى مراعاة الإرشادات الواردة في جزء النقل (انظر „النقل“، الصفحة 66).

فارسی

دستورات ایمنی

نکات ایمنی عمومی برای ابزارهای برقی

هشدار

کلیه هشدارها،

دستورالعملها، تصاویر و

مشخصات ارائه شده به همراه ابزار برقی را

مطالعه کنید. اشتباهات ناشی از عدم رعایت این

دستورات ایمنی ممکن است باعث برق گرفتگی،

سوختگی و یا سایر جراحات های شدید شود.

کلیه هشدارهای ایمنی و راهنماییها را برای

آینده خوب نگهداری کنید.

عبارت «ابزار برقی» در هشدارها به ابزارهایی که به

پریز برق متصل میشوند (با سیم برق) و یا ابزارهای

برقی باتری دار (بدون سیم برق) اشاره دارد.

ایمنی محل کار

محیط کار را تمیز و روشن نگه دارید. محیطهای

در هم ریخته یا تاریک احتمال بروز حادثه را

افزایش میدهند.

ابزار برقی را در محیطهایی که خطر انفجار

وجود دارد و حاوی مایعات، گازها و بخارهای

مخترقه هستند، به کار نگیرید. ابزارهای برقی

چرقههایی ایجاد میکنند که میتوانند باعث آتش

گرفتن گرد و غبارهای موجود در هوا شوند.

هنگام کار با ابزار برقی، کودکان و سایر

افراد را از دستگاه دور نگه دارید. در

صورتیکه حواس شما پرت شود، ممکن است کنترل

دستگاه از دست شما خارج شود.

ایمنی الکتریکی

دوشاخه ابزار برقی باید با پریز برق تناسب

داشته باشد. هیچگونه تغییری در دوشاخه

ایجاد نکنید. مبدل دوشاخه نباید همراه با

ابزار برقی دارای اتصال زمین استفاده شود.

دوشاخههای اصل و تغییر داده نشده و پریزهای

مناسب، خطر برق گرفتگی را کاهش میدهند.

از تماس بدنی با قطعات متصل به سیم

اتصال زمین مانند لوله، شوفاژ، اجاق برقی و

یخچال خودداری کنید. در صورت تماس بدنی با

سطوح و قطعات دارای اتصال به زمین و همچنین

تماس شما با زمین، خطر برق گرفتگی افزایش

می یابد.

ابزارهای برقی را در معرض باران و رطوبت

قرار ندهید. نفوذ آب به ابزار برقی، خطر شوک

الکتریکی را افزایش میدهد.

از سیم دستگاه برای مقاصد دیگر استفاده

نکنید. هرگز برای حمل ابزار برقی، کشیدن آن

یا خارج کردن دوشاخه از سیم دستگاه

استفاده نکنید. کابل دستگاه را از حرارت،

روغن، لیبهای تیز یا قطعات متحرک دور نگه

دارید. کابلهای آسیب دیده و یا گره خورده خطر

شوک الکتریکی را افزایش میدهند.

هنگام استفاده از ابزار برقی در محیطهای باز،

تنها از کابل رابطی استفاده کنید که برای

محیط باز نیز مناسب باشد. کابل های رابط

مناسب برای محیط باز، خطر برق گرفتگی را کم می کنند.

در صورت لزوم کار با ابزار برقی در محیط و

اماکن مرطوب، باید از یک کلید حفاظتی جریان

خطا و نشستی زمین (کلید قطع کننده اتصال با

زمین) استفاده کنید. استفاده از کلید حفاظتی

جریان خطا و نشستی زمین خطر برق گرفتگی را

کاهش می دهد.

رعایت ایمنی اشخاص

حواس خود را خوب جمع کنید، به کار خود

دقت کنید و با فکر و هوشیاری کامل با ابزار

برقی کار کنید. در صورت خستگی و یا در

صورتی که مواد مخدر، الکل و دارو استفاده

کردهاید، با ابزار برقی کار نکنید. یک لحظه بی

توجهی هنگام کار با ابزار برقی، میتواند جرات

های شدیدی به همراه داشته باشد.

از تجهیزات ایمنی شخصی استفاده کنید.

همواره از عینک ایمنی استفاده نمایید.

استفاده از تجهیزات ایمنی مانند ماسک ضد گرد و

غبار، کفشهای ایمنی ضد لغزش، کلاه ایمنی و

گوشی محافظ متناسب با نوع کار با ابزار برقی،

خطر مجروح شدن را کاهش میدهد.

مواظب باشید که ابزار برقی بطور ناخواسته

بکار نیفتد. قبل از وارد کردن دوشاخه

دستگاه در پریز برق، اتصال آن به باتری،

برداشتن آن و یا حمل دستگاه، باید دقت

کنید که ابزار برقی خاموش باشد. در صورتی

که هنگام حمل دستگاه انگشت شما روی دکمه

قطع و وصل باشد و یا دستگاه را در حالت روشن

به برق بزنید، ممکن است سوانع کاری پیش آید.

قبل از روشن کردن ابزار برقی، همه ابزارهای

تنظیم کننده و آپارها را از روی دستگاه

بردارید. ابزار و آپارهایی که روی بخش های

چرخنده دستگاه قرار دارند، میتوانند باعث ایجاد

جرات شوند.

وضعیت بدن شما باید در حالت عادی قرار

داشته باشد. برای کار جای مطمئنی برای

خود انتخاب کرده و تعادل خود را همواره

حفظ کنید. به این ترتیب میتوانید ابزار برقی را در

وضعتهای غیر منتظره بهتر تحت کنترل داشته

باشید.

لباس مناسب بپوشید. از پوشیدن لباسهای

گشاد و حمل زینت آلات خودداری کنید.

موها و لباس خود را از بخشهای در حال

چرخش دستگاه دور نگه دارید. لباسهای گشاد،

موی بلند و زینت آلات ممکن است در قسمتهای

در حال چرخش دستگاه گیر کنند.

در صورتی که تجهیزاتی برای اتصال وسائل

مکش گرد و غبار و یا وسیله جمع کننده گرد

و غبار ارائه شده است، باید مطمئن شوید که

این وسائل درست نصب و استفاده

می شوند. استفاده از وسائل مکش گرد و غبار

مصونیت شما را در برابر گرد و غبار زیاده تر میکند.

آشنایی با ابزار به دلیل کار کردن زیاد با آن

نباید باعث سهل انگاری شما و نادیده گرفتن

اصول ایمنی شود. بی دقتی ممکن است باعث

بروز جراحاتی در عرض کسری از ثانیه شود.

شوند. ایجاد اتصالی بین دو قطب باتری (ترمینالهای باتری) میتواند باعث سوختگی و ایجاد حریق شود.

استفاده بی رویه از باتری میتواند باعث خروج مایعات از آن شود؛ از هر گونه تماس با این مایعات خودداری کنید. در صورت تماس اتفاقی با آن، دست خود و یا محل تماس را با آب بشوئید. در صورت آلوده شدن چشم با این مایع، باید به پزشک مراجعه کنید. مایع خارج شده از باتری میتواند باعث التهاب پوست و سوختگی شود.

هرگز از باتری یا ابزار آسیب دیده یا دست کاری شده استفاده نکنید. باتریهای آسیب دیده ممکن است کارکرد غیر منتظرهای داشته باشند و منجر به آتش سوزی، انفجار یا جراحت شوند.

باتری یا ابزار را در معرض آتش یا دمای زیاد قرار ندهید. قرار گرفتن در معرض آتش یا دمای بالاتر از 130 درجه سانتیگراد میتواند باعث انفجار شود.

همه راهنماییهای مربوط به شارژ را رعایت کنید و باتری یا ابزار را خارج از محدوده دمای تعریف شده در دستورات شارژ نکنید. شارژ کردن نادرست یا در دمای خارج از محدوده تعریف شده ممکن است به باتری صدمه بزند و خطر آتش سوزی را افزایش دهد.

سرویس

برای تعمیر ابزار برقی فقط به متخصصین حرفهای رجوع کنید و از قطعات یدکی اصل استفاده نمایید. این باعث خواهد شد که ایمنی دستگاه شما تضمین گردد.

هرگز باتریهای آسیب دیده را تعمیر نکنید. باتری باید تنها توسط متخصصین مجاز شرکت تعمیر شوند.

نکات ایمنی برای دریل ها و پیچ گوشتی ها

دستورالعملهای ایمنی برای انواع عملیات

هنگام کار با دریل ضربهای از گوشی ایمنی استفاده کنید. قرار گرفتن در معرض سر و صدا، میتواند به شنوایی آسیب برساند.

چنانچه هنگام انجام کار، امکان تماس متعلقات برش یا بستها با سیمهای برق غیر قابل رؤیت وجود داشته باشد، باید ابزار برقی را از محل دستگیره و سطوح عایق آن بگیریید. تماس متعلقات برش یا بستها با سیم حامل جریان برق، میتواند جریان برق را به بخشهای فلزی دستگاه نیز انتقال دهد و باعث برق گرفتگی شود.

دستورالعملهای ایمنی برای هنگام استفاده از متهای بلند

هرگز دستگاه را با سرعت بیشتر از حداکثر سرعت مجاز مته به کار نگیرید. در سرعتهای بالاتر، ممکن است مته هنگام چرخش در حالت آزاد و بدون تماس با قطعه کار کج شود و باعث وارد آمدن جراحت گردد.

استفاده صحیح از ابزار برقی و مراقبت از آن

از وارد کردن فشار زیاد روی دستگاه خودداری کنید. برای هر کاری، از ابزار برقی مناسب با آن استفاده کنید. بکار گرفتن ابزار برقی مناسب باعث میشود که بتوانید از توان دستگاه بهتر و با اطمینان بیشتر استفاده کنید.

در صورت ایراد در کلید قطع و وصل ابزار برقی، از دستگاه استفاده نکنید. ابزار برقی که نمی توان آنها را قطع و وصل کرد، خطرناک بوده و باید تعمیر شوند.

قبل از تنظیم ابزار برقی، تعویض متعلقات و یا کنار گذاشتن آن، دوشاخه را از برق بکشید و یا باتری آنرا خارج کنید. رعایت این اقدامات پیشگیری ایمنی از راه افتادن ناخواسته ابزار برقی جلوگیری می کند.

ابزار برقی را در صورت عدم استفاده، از دسترس کودکان دور نگه دارید و اجازه ندهید که افراد ناوارد و یا اشخاصی که این دفترچه راهنما را نخواندهاند، با این دستگاه کار کنند. قرار گرفتن ابزار برقی در دست افراد ناوارد و بی تجربه خطرناک است.

از ابزار برقی و متعلقات خوب مراقبت کنید. مواظب باشید که قسمت های متحرک دستگاه خوب کار کرده و گیر نکنند. همچنین دقت کنید که قطعات ابزار برقی شکسته و یا آسیب دیده نباشند. قطعات آسیب دیده را قبل از شروع به کار تعمیر کنید. علت بسیاری از سوانح کاری، عدم مراقبت کامل از ابزارهای برقی می باشد.

ابزار برش را تیز و تمیز نگه دارید. ابزار برشی که خوب مراقبت شده و از لبه های تیز برخوردار است، کمتر در قطعه کار گیر کرده و بهتر قابل هدایت است.

ابزار برقی، متعلقات، متهای دستگاه و غیره را مطابق دستورات این جزوه راهنما به کار گیرید و به شرایط کاری و نوع کار نیز توجه داشته باشید. استفاده از ابزار برقی برای عملیاتی به جز مقاصد در نظر گرفته شده، میتواند به بروز شرایط خطرناک منجر شود.

دستها و سطوح عایق را همواره خشک، تمیز و عاری از روغن و گریس نگه دارید. دسته های لغزنده مانع ایمنی و کنترل در کار در شرایط غیر منتظره هستند.

مراقبت و طرز استفاده از ابزارهای شارژی

باتریها را منحصراً توسط شارژرهایی که توسط سازنده توصیه شدهاند، شارژ کنید. در صورتی که برای شارژ باتری، آنرا در شارژری قرار دهید که برای آن باتری ساخته نشده است، خطر آتش سوزی وجود دارد.

در ابزارهای برقی فقط از باتریهایی استفاده کنید که برای آن نوع ابزار برقی در نظر گرفته شدهاند. استفاده از باتریهای متفرقه میتواند منجر به بروز جراحت و حریق گردد.

در صورت عدم استفاده از باتری باید آنرا از گیره های فلزی، سکه، کلید، میخ، پیچ و دیگر وسائل کوچک فلزی دور نگه دارید، زیرا این وسائل ممکن است باعث ایجاد اتصالی

باتری را در برابر حرارت، از جمله در برابر تابش مداوم خورشید و همچنین در برابر آتش، آلودگی، آب و رطوبت محفوظ بدارید. خطر اتصالی و انفجار وجود دارد.



در صورت بلوکه شدن ابزار برقی، آن را خاموش کنید. نسبت به عکسالعملهای شدیدی که منجر به ضربه برگشتی می شوند، آمادگی داشته باشید. چنانچه فشار زیادی به ابزار برقی وارد شود یا در قطعهکار گیر کند، ابزار برقی بلوکه می شود.

دریل کاری را همیشه هنگامی که مته با قطعه کار در تماس است و با سرعت پایین آغاز کنید. در سرعتهای بالاتر، ممکن است مته هنگام چرخش در حالت آزاد و بدون تماس با قطعه کار کج شود و باعث وارد آمدن جراحت گردد.

فشار را فقط هم راستا با مته وارد کنید و از وارد کردن فشار زیاد خودداری نمایید. ممکن است مته کج شود و باعث ایجاد شکستگی یا از دست رفتن کنترل و در نتیجه وارد آمدن جراحت گردد.

سایر راهنمایی های ایمنی

ابزار برقی را محکم بگیرید. هنگام سفت و باز کردن پیچها ممکن است گشتاورهای بازگشتی بالایی به طور موقت ایجاد شوند.

قطعه کار را محکم کنید. در صورتیکه قطعه کار به وسیله تجهیزات نگهدارنده و یا بوسیله گیره محکم شده باشد، قطعه کار مطمئن تر نگه داشته میشود، تا اینکه بوسیله دست نگهداشته شود.

برای پیدا کردن لوله ها و سیم های پنهان موجود در ساختمان و محدوده کار، از یک دستگاه ردیاب مخصوص برای یافتن لوله ها و سیمهای تأسیسات استفاده کنید و یا با شرکت های کارهای تأسیسات ساختمان و خدمات مربوطه تماس بگیرید. تماس با کابل و سیمهای برق ممکن است باعث آتشسوزی و یا برق گرفتگی شود. ایراد و آسیب دیدگی لوله گاز میتواند باعث انفجار شود. سوراخ شدن لوله آب باعث ایجاد خسارت میشود.

قبل از کنار گذاشتن ابزار برقی صبر کنید تا دستگاه بطور کامل از کار و حرکت بایستد. ابزار ممکن است به قطعه کار گیر کرده و کنترل ابزار برقی از دست شما خارج شود.

در صورتیکه باتری آسیب دیده باشد و یا از آن بطور بی رویه استفاده شود، ممکن است از باتری بخارهایی بلند شود. باتری ممکن است آتش بگیرد یا منفجر شود. در این حالت هوای محیط را تازه کنید؛ اگر احساس ناراحتی کردید، به پزشک مراجعه نمایید. استنشاق این بخارها ممکن است به مجاری تنفسی شما آسیب برساند.

باتری را باز نکنید. خطر اتصال کوتاه وجود دارد. بوسیله ی اشیاء تیز مانند میخ یا پیچگوشنی یا تأثیر نیروی خارجی ممکن است باتری آسیب ببیند. ممکن است اتصال داخلی رخ دهد و باتری آتش گیرد، دود کند، منفجر شود یا بیش از حد داغ گردد.

تنها از باتری برای محصولات تولیدی شرکت استفاده کنید. فقط در اینصورت باتری در برابر خطر افعال فشار بیش از حد محافظت میشود.

توضیحات محصول و کارکرد

همه دستورات ایمنی و راهنماییها را بخوانید. اشتباهات ناشی از عدم رعایت این دستورات ایمنی ممکن است باعث برقگرفتگی، سوختگی و یا سایر جراحات های شدید شود.



به تصویرهای واقع در بخشهای اول دفترچه راهنما توجه کنید.

موارد استفاده از دستگاه

این ابزار برقی برای پیچکاری اعم از باز و بسته کردن پیچها و همچنین برای دریل کاری در چوب، فلزات، سرامیک و پلاستیک مناسب است. GSB بطور خاص برای سوراخکاری چکشی در آجر، ساختارهای آجری و سنگ در نظر گرفته شده است.

تصاویر اجزاء دستگاه

شماره های اجزاء دستگاه که در تصویر مشاهده میشود، مربوط به شرح ابزار برقی می باشد که تصویر آن در این دفترچه آمده است.

- (1) ابزارگیر
- (2) سه نظام اتوماتیک
- (3) حلقه تنظیم انتخاب گشتاور
- (4) کلید انتخاب انواع عملکرد (GSB)
- (5) دکمه انتخاب دنده
- (6) گیره اتصال به کمربند
- (7) باتری^(A)
- (8) دکمه آزادسازی قفل باتری^(A)
- (9) چراغ کار (LED)
- (10) کلید تغییر جهت چرخش
- (11) کلید قطع و وصل
- (12) نگهدارنده سری پیچ^(A)
- (13) دسته (با روکش عایقدار)
- (14) نشانگر وضعیت شارژ باتری^(A)
- (15) دکمه نشانگر وضعیت شارژ^(A)

(A) کلیه متعلقاتی که در تصویر و یا در متن آمده است، بطور معمول همراه دستگاه ارائه نمی شود. لطفاً لیست کامل متعلقات را از فهرست برنامه متعلقات اقتباس نمایید.

مشخصات فنی

GSB 18V-50	GSR 18V-50	پیچگوشتی شارژی پیچگوشتی شارژی ضربه‌ای	
3 601 JH5 1..	3 601 JH5 0..		شماره فنی
18	18	V=	ولتاژ نامی
			تعداد دور در حالت بدون بار ^(A)
0-460	0-460	دقیقه	- دنده 1
0-1800	0-1800	دقیقه	- دنده 2
0-27 000	-	⁻¹ min	تعداد ضربه ^(A)
50/28	50/28	Nm	حداکثر گشتاور پیچکاری سخت/نرم ^(A)
			حداکثر قطر سوراخکاری (2/.1. دنده)
35	35	mm	- چوب
13	13	mm	- فولاد
13	-	mm	- ساختار آجری
1.5-13	1.5-13	mm	دامنه مهار سه نظام
10	10	mm	حداکثر قطر پیچ-∅
1.4-2.5	1.4-2.4	kg	وزن مطابق با استاندارد EPTA- Procedure 01:2014 ^(A)
			دمای مجاز محیط
0 ... +35	0 ... +35	°C	- هنگام شارژ
-20 ... +50	-20 ... +50	°C	- هنگام کار ^(B) و هنگام انبار کردن
GBA 18V... ProCORE18V...	GBA 18V... ProCORE18V...		باتریهای توصیه شده
GAL 18... GAX 18... GAL 36...	GAL 18... GAX 18... GAL 36...		شارژرهای توصیه شده

(A) بسته به نوع باتری کاربردی
(B) توان محدود برای دمای 0 °C

اطلاعات مربوط به صدا و لرزش

GSB 18V-50	GSR 18V-50	میزان شدت صدا، معادل EN 62841-2-1 محاسبه شده است.	
			سطح ارتعاش صوتی A اندازه گیری شده برای ابزار برقی معمولا برابر است با
88	72,5	dB(A)	سطح فشار صوتی
99	83,5	dB(A)	سطح قدرت صوتی
5	5	dB	ضریب خطا K
			از گوشی ایمنی استفاده کنید!
			میزان کل ارتعاشات a _h بر مبنای (جمع بردارهای سه جهت) و ضریب خطای K طبق استاندارد EN 62841-2-1 محاسبه میشوند.
			سوراخکاری در فلز:
1	2	² m/s	a _h
1,5	1,5	² m/s	K
			سوراخکاری ضربه ای در بتن:
11	-	² m/s	a _h
1,5	-	² m/s	K

بر روی دکمه آزاد کننده قفل (8) می‌شوند. تا زمانی که باتری در داخل ابزار برقی قرار داشته باشد، آن باتری توسط یک فنر در حالت مناسب نگهداری می‌شود.

برای برداشتن و خارج کردن باتری (7) دکمه آزادسازی باتری (8) را فشار دهید و باتری را از داخل ابزار برقی خارج کنید. **هنگام انجام این کار از اعمال فشار خودداری کنید.**

نمایشگر وضعیت شارژ باتری

چراغ‌های سبز LED نشانگر وضعیت شارژ باتری (14) وضعیت شارژ باتری (7) را نشان می‌دهند. به دلایل ایمنی، فراخوانی وضعیت شارژ باتری تنها در حالت توقف ابزار برقی ممکن است.

دکمه نشانگر وضعیت شارژ (15) را فشار دهید تا وضعیت شارژ نمایش داده شود. این کار هنگامی که باتری برداشته شده باشد نیز ممکن است.

اگر بعد از فشار دادن دکمه نشانگر وضعیت شارژ (15) هیچ چراغ LED روشن نشود، باتری خراب است و باید تعویض گردد.

مدل باتری 18V GBA... (رجوع کنید به تصویر D1)

ال ای دی ها	ظرفیت
3 چراغ ممتد سبز	60-100 %
2 چراغ ممتد سبز	30-60 %
1 چراغ ممتد سبز	5-30 %
3 چراغ چشمک زن سبز	0-5 %

مدل باتری 18V ProCORE... (رجوع کنید به تصویر D2)

LED ها	ظرفیت
5 چراغ ممتد سبز	80-100 %
4 چراغ ممتد سبز	60-80 %
3 چراغ ممتد سبز	40-60 %
2 چراغ ممتد سبز	20-40 %
1 چراغ ممتد سبز	5-20 %
1 چراغ چشمک زن سبز	0-5 %

تعویض ابزار (رجوع کنید به تصویر A)

قبل از انجام هر گونه کاری با ابزار برقی (از جمله سرویس، تعویض ابزار و غیره) و همچنین به هنگام حمل و نقل و یا در انبار نگهداری کردن، باتری را از داخل ابزار برقی خارج کنید. در صورت تماس اتفاقی با کلید قطع و وصل، خطر آسیب دیدگی وجود دارد.

در صورت فشرده نبودن کلید قطع و وصل (11) محور دریل قفل می‌شود. این امر باعث تعویض آسان و سریع ابزار و متعلقات سه نظام می‌شود. سه نظام سریع (2) را با چرخاندن در جهت 1 باز کنید تا ابزار قرارگیرد. ابزار را جا گذاری کنید. بوش نگهدارنده سه نظام مهار سریع (2) را محکم با دست در جهت 2 بچرخانید. اینگونه سه نظام به طور اتوماتیک قفل می‌شود.

سطح ارتعاش و سطح صدای قید شده در این دستورالعمل با یک روش اندازه گیری استاندارد مطابقت دارد و از آن میتوان برای مقایسه ابزارهای برقی با یکدیگر استفاده نمود. همچنین برای برآورد موثری فشار ناشی از ارتعاش و صدا نیز مناسب است.

سطح ارتعاش و مقدار صدای قید شده معرف کاربرد اصلی ابزار برقی است. البته اگر ابزار برقی برای موارد دیگر با ابزارهای کاربردی دیگر و یا بدون مراقبت و سرویس کافی بکار برده شود، در آنصورت امکان تغییر سطح صدا و ارتعاش وجود دارد. این امر میتواند فشار ناشی از صدا و ارتعاش را در طول مدت زمان کار به وضوح افزایش بدهد. جهت برآورد دقیق فشار ناشی از صدا و ارتعاش، باید زمانهایی را هم که دستگاه خاموش است و یا اینکه دستگاه روشن است ولیکن در آن زمان بکار گرفته نمی‌شود، در نظر گرفت. این مسئله میتواند سطح فشار ناشی از صدا و ارتعاش را در کل طول کار به وضوح کم کند.

اقدامات ایمنی مضاعف در برابر ارتعاش ها و قبل از تأثیرگذاری آنها را برای حفاظت فردی که با دستگاه کار میکند در نظر بگیرید. بعنوان مثال سرویس ابزار برقی و ابزار و ملحقات آن، گرم نگهداشتن دستها و سازمان دهی مراحل کاری.

نصب

قبل از انجام هر گونه کاری با ابزار برقی (از جمله سرویس، تعویض ابزار و غیره) و همچنین به هنگام حمل و نقل و یا در انبار نگهداری کردن، باتری را از داخل ابزار برقی خارج کنید. در صورت تماس اتفاقی با کلید قطع و وصل، خطر آسیب دیدگی وجود دارد.

نحوه شارژ کردن باتری

تنها شارژرهای ذکر شده در مشخصات فنی را بکار برید. تنها این دستگاه های شارژر با باتری های لیتیوم-یونی (Li-Ion) ابزار برقی شما منطبق میباشد.

نکته: باتری با شارژر نسبی ارسال می‌شود. برای دست یافتن به توان کامل باتری، قبل از بکار گیری آن برای اولین بار باید شارژر باتری بطور کامل در دستگاه شارژر تکمیل شود.

باتری های لیتیوم-یونی (Li-Ion) را میتوان همه وقت شارژ نمود، بدون اینکه از طول عمر آن کاسته شود. قطع کردن جریان شارژر آسیبی به باتری نمیرساند.

باتری های لیتیوم-یونی دارای سیستم حفاظت الکترونیکی "Electronic Cell Protection (ECP)" بوده و در برابر خالی شدن حفاظت می‌شوند. اگر باتری خالی شود، ابزار برقی از طریق کلید حفاظتی بطور اتوماتیک خاموش میشود و دستگاه دیگر حرکت نمیکند.

به نکات مربوط به نحوه از رده خارج کردن باتری توجه کنید.

نحوه برداشتن باتری

باتری (7) دارای دو مرحله قفل میباشد که این قفلها مانع بیرون افتادن باتری در اثر فشار ناخواسته

مکش گرد، براده و تراشه

گرد و غبار موادی مانند رنگ های دارای سرب، بعضی از چوب ها، مواد معدنی و فلزات میتوانند برای سلامتی مضر باشند. دست زدن و یا تنفس کردن گرد و غبار ممکن است باعث بروز آلرژی و یا بیماری مجاری تنفسی شخص استفاده کننده و یا افرادی که در آن نزدیکی میباشند، بشود.

گرد و غبارهای مخصوصی مانند گرد و غبار درخت بلوط و یا درخت راش سرطان زا هستند، بخصوص ترکیب آنها با سایر موادی که برای کار بر روی چوب (کرومات، مواد برای محافظت از چوب) بکار برده میشوند. فقط افراد متخصص مجازند با موادی که دارای آزیست میباشند کار کنند.

– توجه داشته باشید که محل کار شما از تهویه هوای کافی برخوردار باشد.

– توصیه میشود از ماسک تنفسی ایمنی با درجه فیلتر P2 استفاده کنید.

به قوانین و مقررات معتبر در کشور خود در رابطه با استفاده از مواد و قطعات کاری توجه کنید.

◀ از تجمع گرد و غبار در محل کار جلوگیری کنید. گرد و غبار می توانند به آسانی مشتعل شوند.

طرز کار با دستگاه

راه اندازی و نحوه کاربرد دستگاه

جاگذاری باتری

نکته: استفاده از از باتریهای نامتناسب با ابزار اندازهگیری ممکن است منجر به بروز خطا در عملکرد یا آسیب دیدگی ابزار اندازهگیری شود.

باتری پر شده (7) را از جلو در پایه ابزار برقی برانید تا باتری مطمئن قفل شود.

نحوه تنظیم جهت چرخش (رجوع کنید به تصویر B)

توسط دکمه تعویض جهت چرخش (10) می توان جهت چرخش ابزار برقی را تغییر داد. هنگامی که کلید قطع و وصل (11) فشرده شده است، این امر ممکن نیست.

گردش به راست: برای سوراخکاری و چرخاندن پیچ ها، کلید تغییر جهت چرخش (10) را تا انتها به چپ فشار دهید.

گردش به چپ: برای چرخاندن و بچاندن و نیز سفت کردن مهرهها، کلید تغییر جهت چرخش (10) را تا انتها به راست فشار دهید.

تنظیم نوع عملکرد

دریل کاری

GSR

حلقه تنظیم انتخاب گشتاور (3) را روی علامت "سوراخکاری" قرار دهید.

GSB

کلید انتخاب نوع عملکرد (4) را روی علامت "سوراخکاری" قرار دهید.

پیچکاری

GSR

حلقه تنظیم انتخاب گشتاور (3) را روی گشتاور دلخواه قرار دهید.

GSB

کلید انتخاب نوع عملکرد (4) را روی علامت "پیچکاری" قرار دهید.

سوراخکاری چکشی (GSB)

کلید انتخاب انواع عملکرد (4) را روی علامت "سوراخکاری چکشی" قرار دهید.



روشن/خاموش کردن

برای راهاندازی ابزار برقی، کلید قطع و وصل (11) را فشار داده و آنرا در حالت فشرده نگاهدارید.

چراغهای LED (9) هنگام وارد کردن فشار کم یا کامل به کلید روشن/خاموش (11) روشن میشود و محیط کار را در صورت عدم وجود شرایط مناسب نور، روشن میکند.

برای خاموش کردن ابزار برقی، کلید قطع و وصل (11) را رها کنید.

تنظیم سرعت (دور موتور)

سرعت ابزار برقی را می توان با فشردن دلخواه کلید قطع و وصل (11) تنظیم کرد.

فشار کم روی کلید قطع و وصل (11) سرعت کاهش میابد. افزایش فشار بر روی کلید قطع و وصل باعث افزایش سرعت میشود.

گشتاور را انتخاب کنید (معتبر برای عملکرد پیچکاری)

از طریق حلقه تنظیم انتخاب گشتاور (3) می توان گشتاور لازم را در 20 درجه مختلف از پیش انتخاب کرد. به محض رسیدن به گشتاور تنظیم شده، ابزار متوقف میشود.

انتخاب مکانیکی دنده

◀ کلید تغییر جهت چرخش (5) را هنگام متوقف بودن دستگاه فعال کنید.

دنده 1:

محدوده سرعت پایین، برای کار با متهای دارای قطر زیاد و یا برای پیچکاری.

دنده 2:

محدوده سرعت بالا، برای کار با متهای دارای قطر کم.

◀ دکمه انتخاب دنده را همواره تا انتها برانید.

در غیر اینصورت امکان آسیب دیدن ابزار برقی وجود دارد.

محافظ بار اضافی وابسته به دما

در صورت استفاده اصولی، فشاری به ابزار برقی وارد نمیشود. در صورت فشار زیاد یا خارج شدن از محدوده دمای مجاز کاری، تعداد دور کاهش میابد. ابزار برقی دوباره پس از رسیدن به دمای مجاز کاری با تعداد دور کامل کار میکند.

قفل محور تمام خودکار (قفل اتوماتیک)

در صورت فشرده نبودن کلید قطع و وصل (11) محور دریل و همراه آن ابزارگیر قفل می شود.

باتریها را فقط در صورتی ارسال کنید که بدنه آنها آسیب ندیده باشد. اتصالات (کنتاکتهای) باز را ببوشانید و باتری را طوری بسته بندی کنید که در بسته بندی تکان نخورد. در این باره لطفاً به مقررات و آیین نامه های ملی توجه کنید.

از رده خارج کردن دستگاه

ابزارهای برقی، باتری ها، متعلقات و بسته بندی ها، باید طبق مقررات حفظ محیط زیست از رده خارج و بازیافت شوند.



ابزار برقی و باتری ها/ باتری های قابل شارژ را داخل زباله دان خانگی نیندازید!



باتریهای شارژی/قلمی:

لیتیوم-یونی:

لطفاً به تذکرات بخش (رجوع کنید به «حمل دستگاه»، صفحه 73) توجه کنید.

این امر امکان پیچ کردن حتی در حالت خالی بودن باتری و همچنین استفاده از دستگاه بعنوان پیچگوشتی را فراهم میسازد.

راهنمایهای عملی

◀ ابزار برقی را تنها در حالت خاموش روی پیچ قرار دهید. امکان لغزش ابزار در حال چرخش وجود دارد.

پیش از پیچ کردن پیچ های بزرگ و بلند داخل قطعات سخت، باید نخست يك سوراخ به قطر مغزی رزوه پیچ و به اندازه 2/3 طول پیچ داخل قطعه کار ایجاد کنید.

جهت جدا کردن سر پیچ و نگهدارنده ی سر پیچ نباید از ابزار کمکی استفاده گردد.

مراقبت و سرویس

مراقبت، تعمیر و تمیز کردن دستگاه

◀ قبل از انجام هر گونه کاری با ابزار برقی (از جمله سرویس، تعویض ابزار و غیره) و همچنین به هنگام حمل و نقل و یا در انبار نگهداری کردن، باتری را از داخل ابزار برقی خارج کنید. در صورت تماس اتفاقی با کلید قطع و وصل، خطر آسیب دیدگی وجود دارد.

◀ ابزار الکتریکی و شیارهای تهویه آنرا تمیز نگاه دارید، تا ایمنی شما در کار تضمین گردد.

خدمات و مشاوره با مشتریان

خدمات مشتری، به سئوالات شما درباره تعمیرات، سرویس و همچنین قطعات یدکی پاسخ خواهد داد. نقشههای سه بعدی و اطلاعات مربوط به قطعات یدکی را در تارنمای زیر میباید:

www.bosch-pt.com

گروه مشاوره به مشتریان Bosch با کمال میل به سئوالات شما درباره محصولات و متعلقات پاسخ می دهند.

برای هرگونه سؤال و یا سفارش قطعات یدکی، حتماً شماره فنی 10 رقمی کالا را مطابق برچسب روی ابزار برقی اطلاع دهید.

ایران

روبرت بوش ایران - شرکت بوش تجارت پارس میدان ونک، خیابان شهید خدای، خیابان آفتاب ساختمان مادران، شماره 3، طبقه سوم.

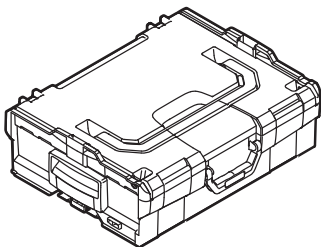
تهران 1994834571

تلفن: 9821+ 42039000

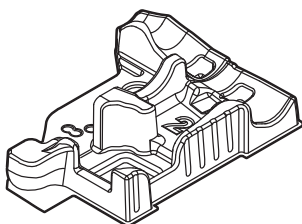
حمل دستگاه

باتریهای لیتیوم-یونی تابع مقررات حمل کالاهای پر خطر می باشند. کاربر می تواند باتریها را بدون استفاده از روکش در خیابان حمل کند.

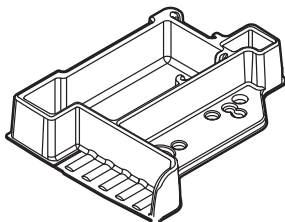
در صورت ارسال توسط شخص ثالث (مانند: حمل و نقل هوایی یا زمینی) باید تمهیدات مربوط به بسته بندی و علامتگذاری مورد توجه قرار گیرد. در اینصورت باید حتماً جهت آماده سازی قطعه ارسالی به کارشناس حمل کالاهای پر خطر مراجعه کرد.



2 608 438 692
(L-BOXX 136)



1 600 A00 2WA



1 600 A00 2WC

Licenses

Copyright © 2009 - 2016 ARM LIMITED

All rights reserved.

Redistribution and use in source and binary forms, with or without modification, are permitted provided that the following conditions are met:

- Redistributions of source code must retain the above copyright notice, this list of conditions and the following disclaimer.
- Redistributions in binary form must reproduce the above copyright notice, this list of conditions and the following disclaimer in the documentation and/or other materials provided with the distribution.
- Neither the name of ARM nor the names of its contributors may be used to endorse or promote products derived from this software without specific prior written permission.

THIS SOFTWARE IS PROVIDED BY THE COPYRIGHT HOLDERS AND CONTRIBUTORS "AS IS" AND ANY EXPRESS OR IMPLIED WARRANTIES, INCLUDING, BUT NOT LIMITED TO, THE IMPLIED WARRANTIES OF MERCHANTABILITY AND FITNESS FOR A PARTICULAR PURPOSE ARE DISCLAIMED. IN NO EVENT SHALL THE COPYRIGHT OWNER OR CONTRIBUTORS BE LIABLE FOR ANY DIRECT, INDIRECT, INCIDENTAL, SPECIAL, EXEMPLARY, OR CONSEQUENTIAL DAMAGES (INCLUDING, BUT NOT LIMITED TO, PROCUREMENT OF SUBSTITUTE GOODS OR SERVICES; LOSS OF USE, DATA, OR PROFITS; OR BUSINESS INTERRUPTION) HOWEVER CAUSED AND ON ANY THEORY OF LIABILITY, WHETHER IN CONTRACT, STRICT LIABILITY, OR TORT (INCLUDING NEGLIGENCE OR OTHERWISE) ARISING IN ANY WAY OUT OF THE USE OF THIS SOFTWARE, EVEN IF ADVISED OF THE POSSIBILITY OF SUCH DAMAGE.

Copyright © 2015, Infineon Technologies AG

All rights reserved.

Redistribution and use in source and binary forms, with or without modification, are permitted provided that the following conditions are met:


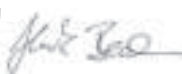
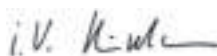
- Redistributions of source code must retain the above copyright notice, this list of conditions and the following disclaimer.
- Redistributions in binary form must reproduce the above copyright notice, this list of conditions and the following disclaimer in the documentation and/or other materials provided with the distribution.
- Neither the name of the copyright holders nor the names of its contributors may be used to endorse or promote products derived from this software without specific prior written permission.

THIS SOFTWARE IS PROVIDED BY THE COPYRIGHT HOLDERS AND CONTRIBUTORS "AS IS" AND ANY EXPRESS OR IMPLIED WARRANTIES, INCLUDING, BUT NOT LIMITED TO, THE IMPLIED WARRANTIES OF MERCHANTABILITY AND FITNESS FOR A PARTICULAR PURPOSE ARE DISCLAIMED. IN NO EVENT SHALL THE COPYRIGHT OWNER OR CONTRIBUTORS BE LIABLE FOR ANY DIRECT, INDIRECT, INCIDENTAL, SPECIAL, EXEMPLARY, OR CONSEQUENTIAL DAMAGES (INCLUDING, BUT NOT LIMITED TO, PROCUREMENT OF SUBSTITUTE GOODS OR SERVICES; LOSS OF USE, DATA, OR PROFITS; OR BUSINESS INTERRUPTION) HOWEVER CAUSED AND ON ANY THEORY OF LIABILITY, WHETHER IN CONTRACT, STRICT LIABILITY, OR TORT (INCLUDING NEGLIGENCE OR OTHERWISE) ARISING IN ANY WAY OUT OF THE USE OF THIS SOFTWARE, EVEN IF ADVISED OF THE POSSIBILITY OF SUCH DAMAGE.

de	EU-Konformitätserklärung Akku-Bohrschrauber Sachnummer Akku-Schlagbohrschrauber	Wir erklären in alleiniger Verantwortung, dass die genannten Produkte allen einschlägigen Bestimmungen der nachfolgend aufgeführten Richtlinien und Verordnungen entsprechen und mit folgenden Normen übereinstimmen. Technische Unterlagen bei: *
en	EU Declaration of Conformity Cordless Drill/Driver Article number Combination Cordless Drill	We declare under our sole responsibility that the stated products comply with all applicable provisions of the directives and regulations listed below and are in conformity with the following standards. Technical file at: *
fr	Déclaration de conformité UE Perceuse-visseuse sans-fil N° d'article Perceuse-visseuse à percussion sans-fil	Nous déclarons sous notre propre responsabilité que les produits décrits sont en conformité avec les directives, règlements normatifs et normes énumérés ci-dessous. Dossier technique auprès de: *
es	Declaración de conformidad UE Atornilladora taladradora accionada por acumulador N° de artículo Atornilladora taladradora de percusión por acumulador	Declaramos bajo nuestra exclusiva responsabilidad, que los productos nombrados cumplen con todas las disposiciones correspondientes de las Directivas y los Reglamentos mencionados a continuación y están en conformidad con las siguientes normas. Documentos técnicos de: *
pt	Declaração de Conformidade UE Berbequim-afarufusador sem fio N.º do produto Berbequim de percussão sem fio	Declaramos sob nossa exclusiva responsabilidade que os produtos mencionados cumprem todas as disposições e os regulamentos indicados e estão em conformidade com as seguintes normas. Documentação técnica pertencente à: *
it	Dichiarazione di conformità UE Cacciaviti/avvitatore a batteria Codice prodotto Trapano avvitatore a batteria con battente	Dichiariamo sotto la nostra piena responsabilità che i prodotti indicati sono conformi a tutte le disposizioni pertinenti delle Direttive e dei Regolamenti elencati di seguito, nonché alle seguenti Normative. Documentazione Tecnica presso: *
nl	EU-conformiteitsverklaring Accuboorschroevendraaier Productnummer Accuklopboorschroevendraaier	Wij verklaren op eigen verantwoordelijkheid dat de genoemde producten voldoen aan alle desbetreffende bepalingen van de hierna genoemde richtlijnen en verordeningen en overeenstemmen met de volgende normen. Technisch dossier bij: *
da	EU-overensstemmelseserklæring Akkuboreskruetrækker Typenummer Akku-slagboreskruetrækker	Vi erklærer som eneansvarlige, at det beskrevne produkt er i overensstemmelse med alle gældende bestemmelser i følgende direktiver og forordninger og opfylder følgende standarder. Tekniske bilag ved: *
sv	EU-konformitetsförklaring Sladdlös borskruddragare Produktnummer Sladdlös slagborskruddragare	Vi förklarar under eget ansvar att de nämnda produkterna uppfyller kraven i alla gällande bestämmelser i de nedan angivna direktiven och förordningarna och att de stämmer överens med följande normer. Teknisk dokumentation: *
no	EU-samsvarserklæring	Vi erklærer under eneansvar at de nevnte produktene er i overensstemmelse med alle relevante bestemmelser i direktivene og forordningene nedenfor og

	Batteriboreskrutrekker	Produktnummer	med følgende standarder. Teknisk dokumentasjon hos: *
	Batteri-slagboreskrutrekker		
fi	EU-vaatimusten mukaisuusvakuutus		Vakuutamme täten, että mainitut tuotteet vastaavat kaikkia seuraavien direktiivien ja asetusten asiaankuuluvia vaatimuksia ja ovat seuraavien standardien vaatimusten mukaisia.
	Akkuruuvinväännin	Tuotenumero	Tekniset asiakirjat saatavana: *
	Akkuiskuporaruuvinväännin		
el	Δήλωση πιστότητας ΕΕ		Δηλώνουμε με αποκλειστική μας ευθύνη, ότι τα αναφερόμενα προϊόντα αντιστοιχούν σε όλες τις σχετικές διατάξεις των πιο κάτω αναφερόμενων οδηγιών και κανονισμών και ταυτίζονται με τα ακόλουθα πρότυπα.
	Δραπανοκατσάβιδο μπαταρίας	Αριθμός ευρετηρίου	Τεχνικά έγγραφα στη: *
	Κρουστικό δράπανο μπαταρίας		
tr	AB Uygunluk beyanı		Tek sorumlu olarak, tanımlanan ürünün aşağıdaki yönetmelik ve direktiflerin geçerli bütün hükümlerine ve aşağıdaki standartlara uygun olduğunu beyan ederiz.
	Akülü delme/vidalama makinesi	Ürün kodu	Teknik belgelerin bulunduğu yer: *
	Akülü darbeli delme/vidalama makinesi		
pl	Deklaracja zgodności UE		Oświadczamy z pełną odpowiedzialnością, że niniejsze produkty odpowiadają wszystkim wymaganiom poniżej wyszczególnionych dyrektyw i rozporządzeń, oraz że są zgodne z następującymi normami.
	Wiertarkowkrętarka akumulatorowa	Numer katalogowy	Dokumentacja techniczna: *
	Akumulatorowa wiertarko-wkrętarka z udarem		
cs	EU prohlášení oshodě		Prohlašujeme na výhradní zodpovědnost, že uvedený výrobek splňuje všechny příslušné ustanovení níže uvedených směrnic a nařízení a je v souladu s následujícími normami:
	Akumulátorový vrtací šroubovák	Objednací číslo	Technické podklady u: *
	Akumulátorový vrtací šroubovák s přiklepem		
sk	EÚ vyhlásenie ozhode		Vyhlasujeme na výhradnú zodpovednosť, že uvedený výrobok spĺňa všetky príslušné ustanovenia nižšie uvedených smerníc a nariadení a je v súlade s nasledujúcimi normami:
	Akumulátorový vrtací skrutkovač	Vecné číslo	Technické podklady má spoločnosť: *
	Akumulátorový príklepový vrtací skrutkovač		
hu	EU konformitási nyilatkozat		Egyedüli felelősséggel kijelentjük, hogy a megnevezett termékek megfelelnek az alábbiakban felsorolásra kerülő irányelvek és rendeletek valamennyi idevágó előírásainak és megfelelnek a következő szabványoknak.
	Akkumulátoros fúró-és csavarozógép	Cikkszám	Műszaki dokumentumok megőrzési pontja: *
	Akkumulátoros ütve-fúró-és csavarozógép		
ru	Заявление о соответствии ЕС		Мы заявляем под нашу единоличную ответственность, что названные продукты соответствуют всем действующим предписаниям нижеуказанных директив и распоряжений, а также нижеуказанных норм.
	Дрель-шурупверт	Товарный №	Техническая документация хранится у: *
	Акумуляторный шурупверт ударного действия		

uk	Заява про відповідність ЄС		Мизаявляємо під нашу одноособову відповідальність, що названі вироби відповідають усім чинним положенням нищезначених директив і розпоряджень, а також нижчеозначеним нормам. Технічна документація зберігається у: *
	Акумуляторний дріль- шурупверт	Товарний номер	
	Акумуляторний ударний дріль- шурупверт		
kk	ЕО сәйкестік мағлұдамасы		Өз жауапкершілікпен біз аталған өнімдер төменде жзылған директикалар мен жарлықтардың тиісті қағидаларына сәйкестігін және төмендегі нормаларға сай екенін білдіреміз. Техникалық құжаттар: *
	Акумуляторлы ық дрель- шуруп бурауыш	Өнім нөмірі	
	Акумуляторлы перфоратор бұрғысы		
ro	Declarație de conformitate UE		Declarăm pe proprie răspundere că produsele menționate corespund tuturor dispozițiilor relevante ale directivelor și reglementărilor enumerate în cele ce urmează și sunt în conformitate cu următoarele standarde. Documentație tehnică la: *
	Mașină de găurit și înșurubat cu acumulator	Număr de identificare	
	Mașină de înșurubat și găurit cu percuție cu acumulator		
bg	ЕС декларация за съответствие		С пълна отговорност ние декларираме, че посочените продукти отговарят на всички валидни изисквания на директивите и разпоредбите по-долу и съответства на следните стандарти. Техническа документация при: *
	Акумуляторен винтоверт	Каталожен номер	
	Акумуляторен ударен винтоверт		
mk	EU-Изјава за сообразност		Со целосна одговорност изјавуваме, дека опишаните производи се во согласност со сите релевантни одредби на следните регулативи и прописи и се во согласност со следните норми. Техничка документација кај: *
	Батериска дупчалка-одвртувач	Број на дел/ артикл	
	Батериски ударни дупчалки-одвртувачи		
sr	EU-izjava o usaglašenosti		Na sopstvenu odgovornost izjavljujemo, da navedeni proizvodi odgovaraju svim dotičnim odredbama naknadno navedenih smernica u uredaba i da su u skladu sa sledećim standardima. Tehnička dokumentacija kod: *
	Akumulatorska bušilica-odvijač	Broj predmeta	
	Akumulatorski uvrtač sa udarcima		
sl	Izjava o skladnosti EU		Izjavljamo pod izključno odgovornostjo, da je omenjen izdelek v skladu z vsemi relevantnimi določili direktiv in uredb ter ustreza naslednjim standardom. Tehnična dokumentacija pri: *
	Akumulatorski vrtalni vijačnik	Številka artikla	
	Akumulatorski udarni vijačnik		
hr	EU izjava o skladnosti		Pod punom odgovornošću izjavljujemo da navedeni proizvodi odgovaraju svim relevantnim odredbama direktiva i propisima navedenima u nastavku i da su sukladni sa sljedećim normama. Tehnička dokumentacija se može dobiti kod: *
	Aku bušilica i odvijač	Kataloški br.	
	Aku udarni odvijač		
et	EL-vastavusdeklaratsioon		Kinnitame ainuvastutatajena, et nimetatud tooted vastavad järgnevalt loetletud direktiivide ja määruste kõikidele asjaomastele nõuetele ja on kooskõlas järgmistega normidega. Tehnilised dokumendid saadaval: *
	Akutrell-kruvikeera-ja	Tootenumbr	

Akulöökpauurtrell- kruvikeeraja	
lv Deklarācija par atbilstību ES standartiem	Mēs ar pilnu atbildību paziņojam, ka šeit aplūkotie izstrādājumi atbilst visiem tālāk minētajās direktīvās un rīkojumos ietvertajām saistošajām nostādnēm, kā arī sekojošiem standartiem. Tehniskā dokumentācija no: *
Akumulatora urbj- mašīna – skrūvgrie- zis	Izstrādājuma nu- murs
Akumulatora trie- cienurbjmašīna – skrūvgriezis	
lt ES atitikties deklarācija	Atsakingai pareiškiamo, kad išvardyti gaminiai atitinka visus privalomus žemiau nurodytų direktyvų ir reglamentų reikalavimus ir šiuos standartus. Techninė dokumentacija saugoma: *
Akumulatorinis gręžtuvas-suktuvus	Gaminio numeris
Akumulatorinis smūginis gręžtuvas- suktuvus	
GSR 18V-50	3 601 JH5 0..
GSB 18V-50	3 601 JH5 1..
	2006/42/EC 2014/30/EU 2011/65/EU
	EN 62841-1:2015 EN 62841-2-1:2018 EN 55014-1:2006+A1:2009+A2:2011 EN 55014-2:2015 EN 50581:2012
	 BOSCH
	* Robert Bosch Power Tools GmbH (PT/ECS) 70538 Stuttgart GERMANY
	Henk Becker Chairman of Executive Management
	Helmut Heinzelmann Head of Product Certification
	 
	Robert Bosch Power Tools GmbH, 70538 Stuttgart, GERMANY Stuttgart, 17.05.2019