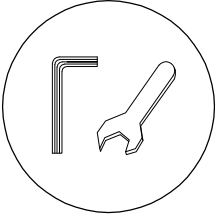
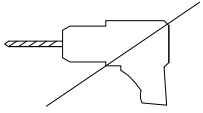
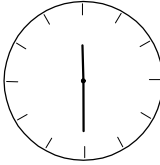
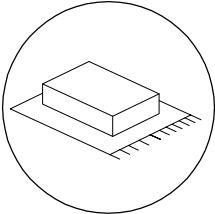
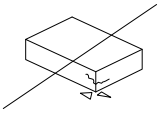

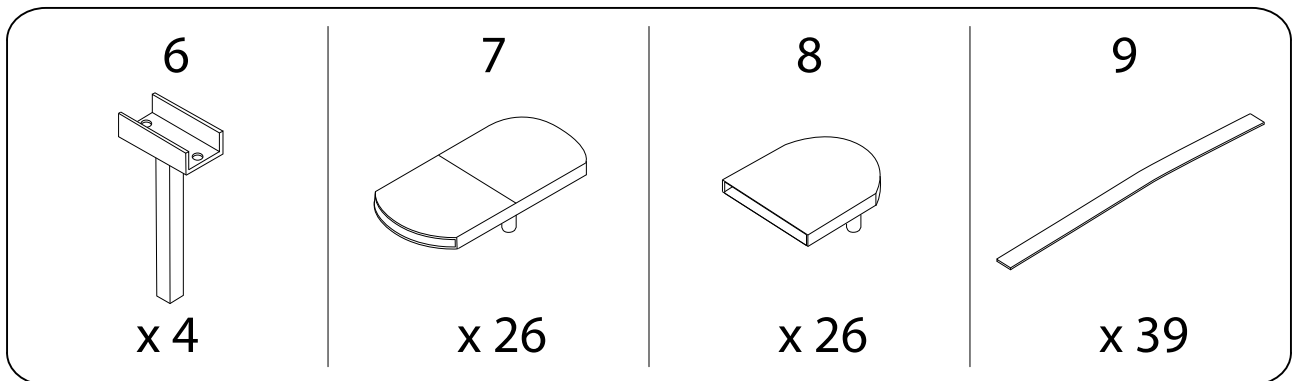
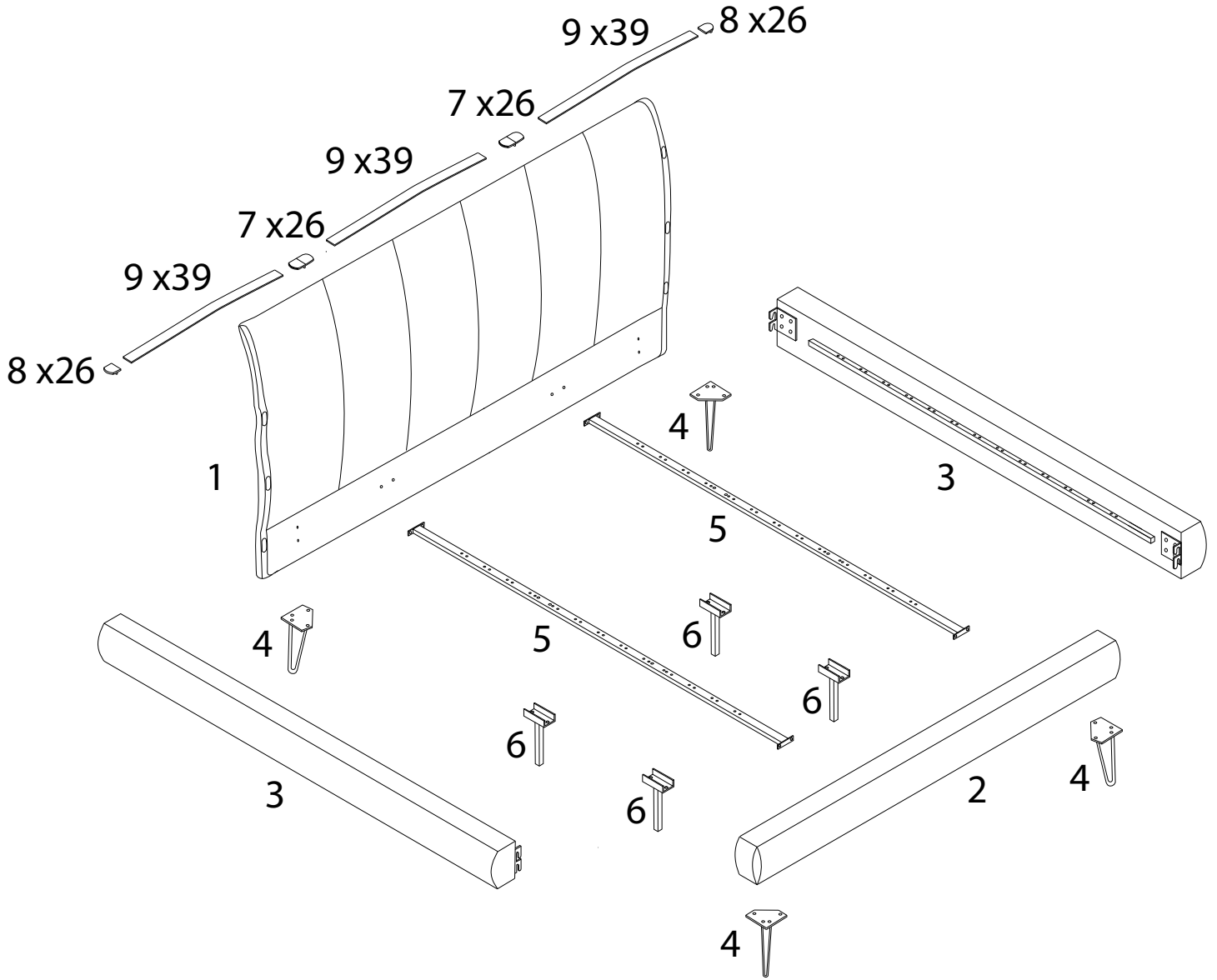
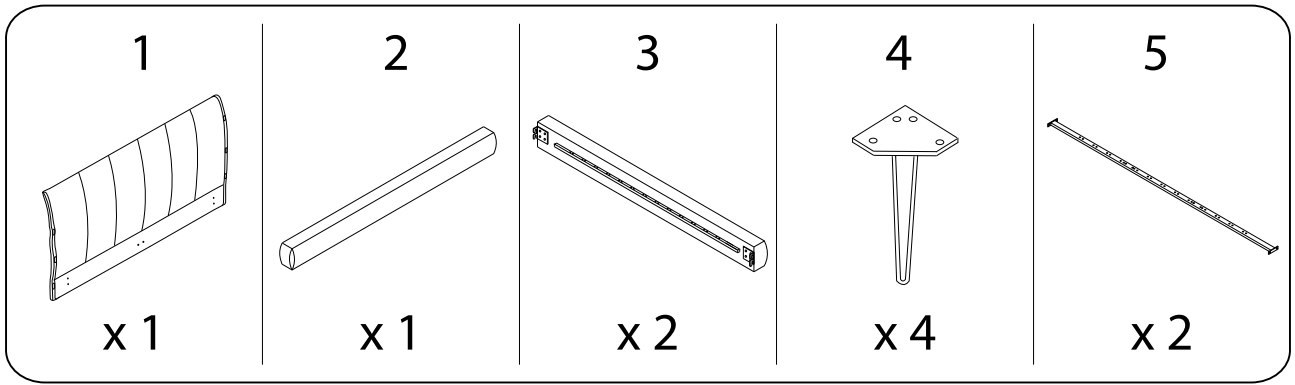
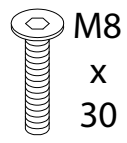


!     
30'

!     
2

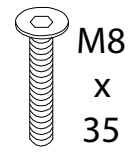


A



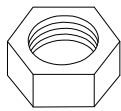
x 32

B



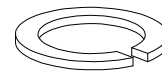
x 8

C



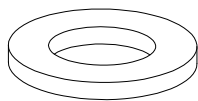
x 8

D



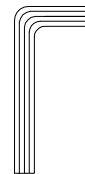
x 8

E



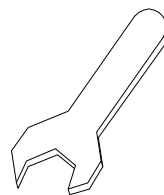
x 32

F



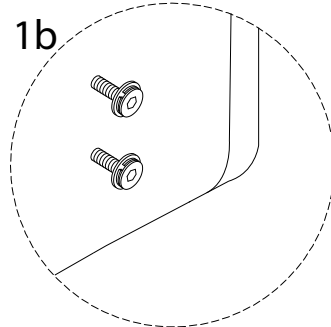
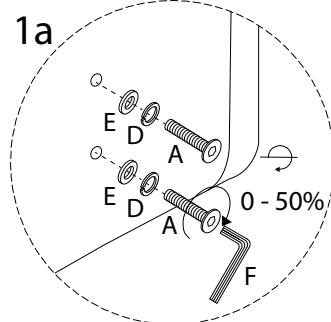
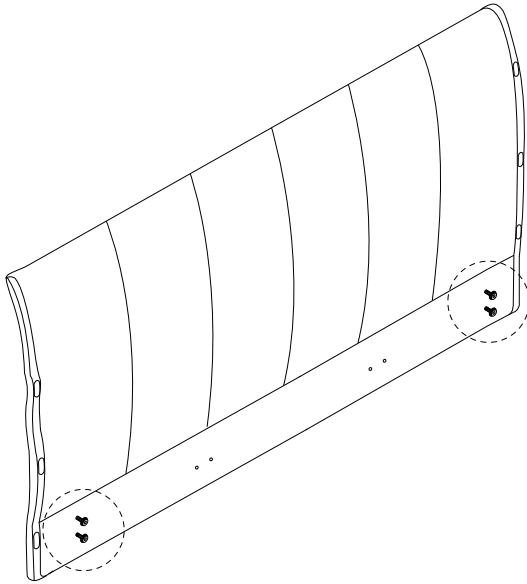
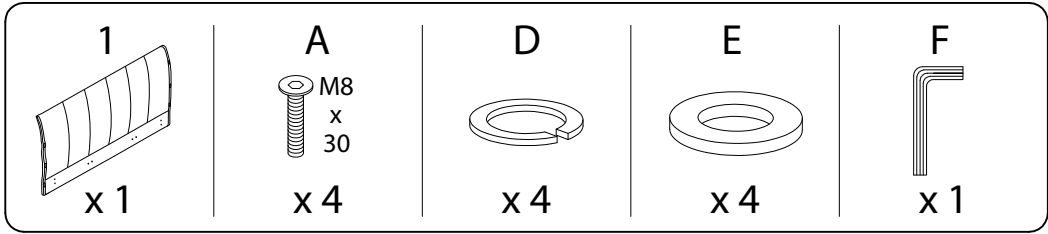
x 1

G

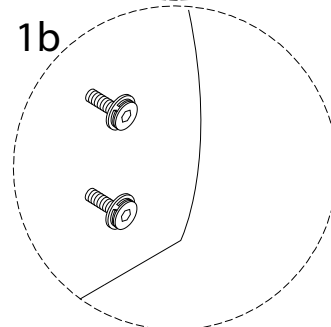
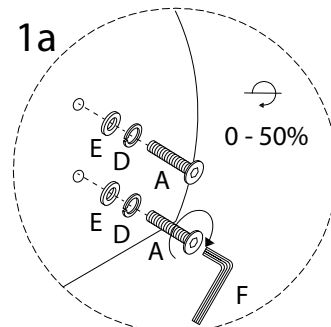
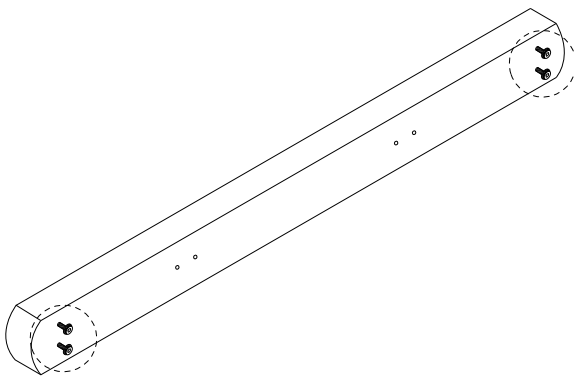
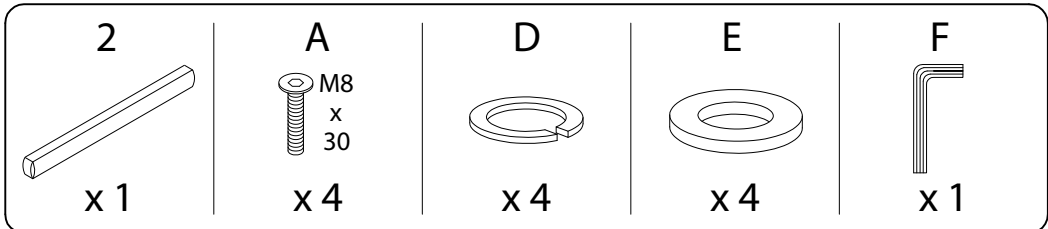


x 1

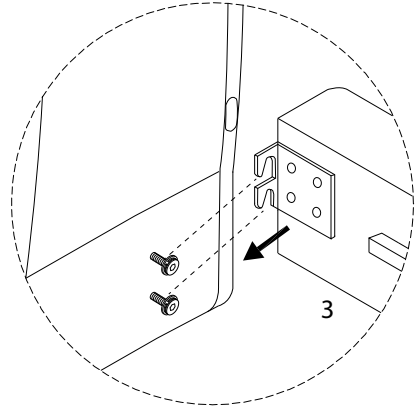
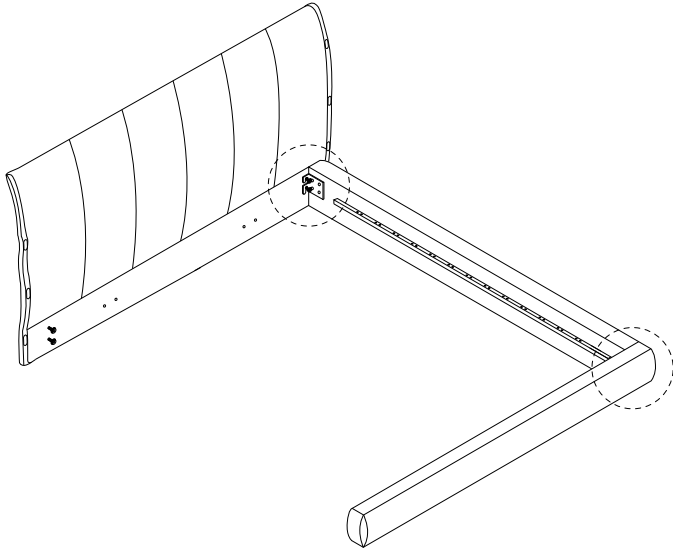
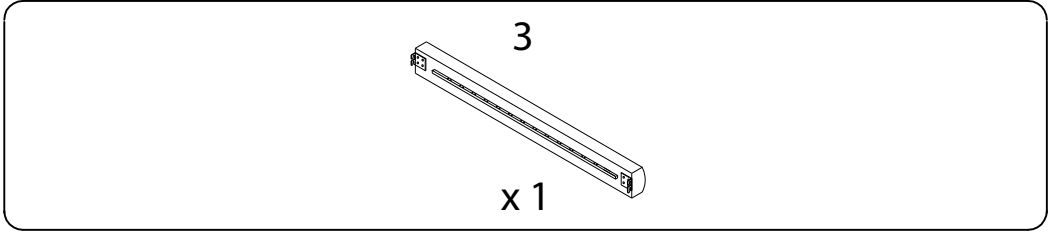
1



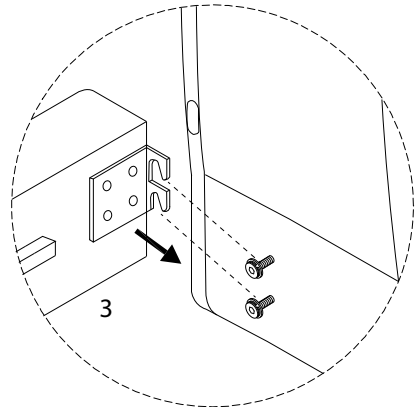
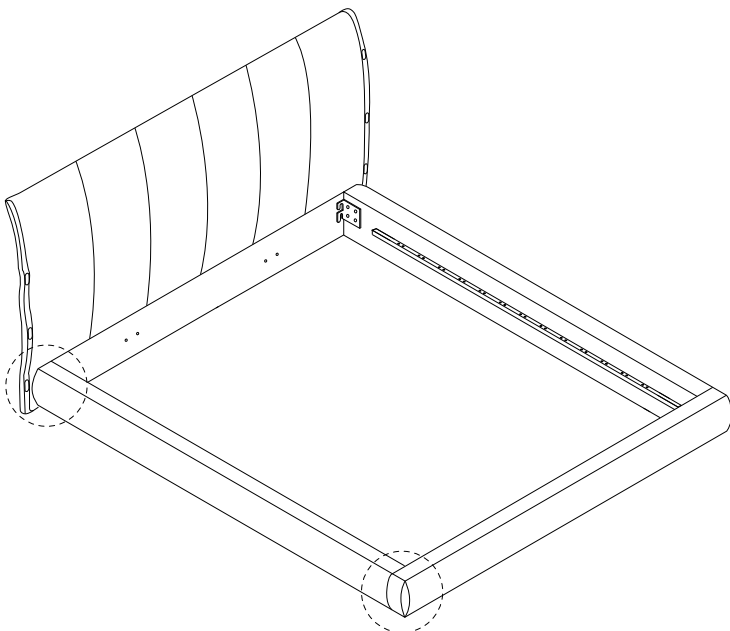
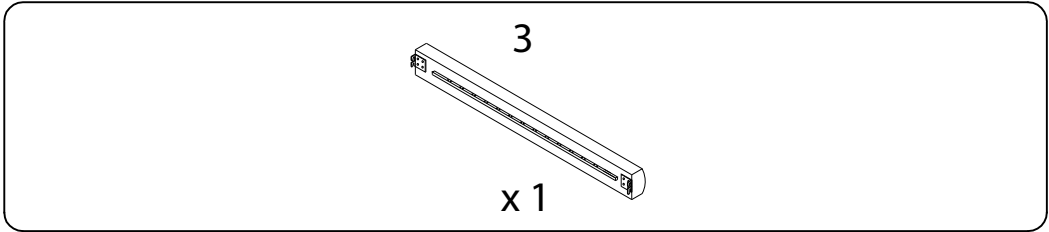
2



3



4



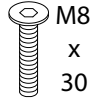
5

4



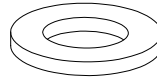
x 4

A



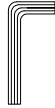
x 16

E

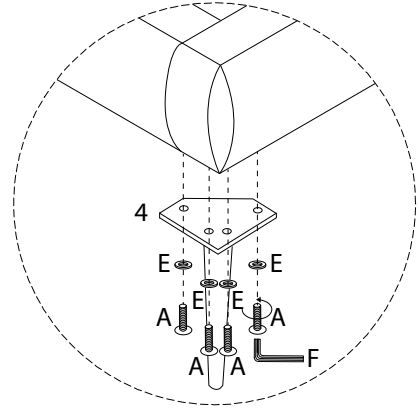
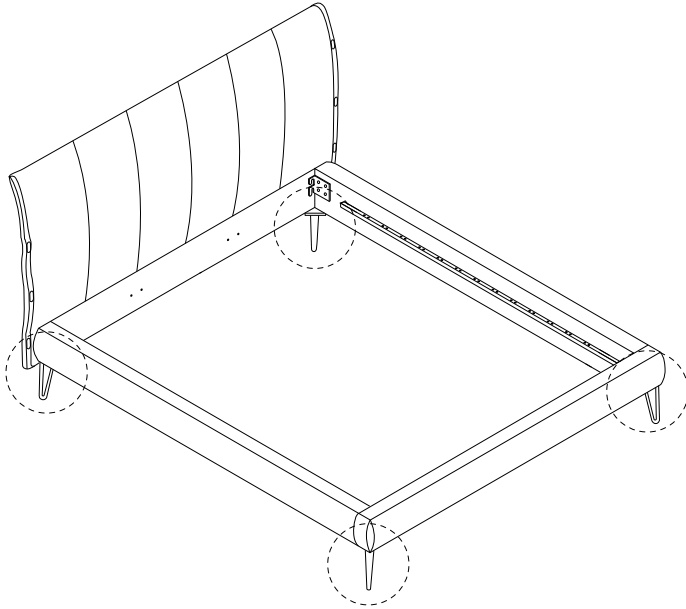


x 16

F



x 1



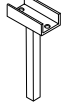
6 x 2

5



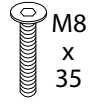
x 1

6



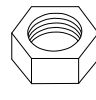
x 2

B



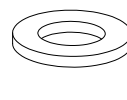
x 4

C



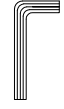
x 4

E



x 4

F

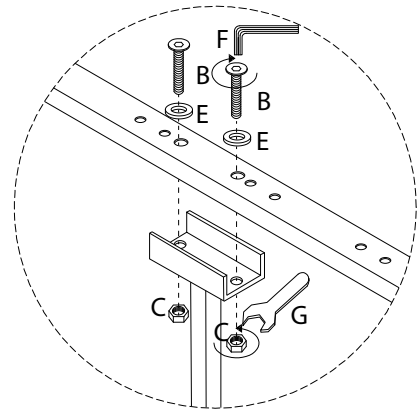
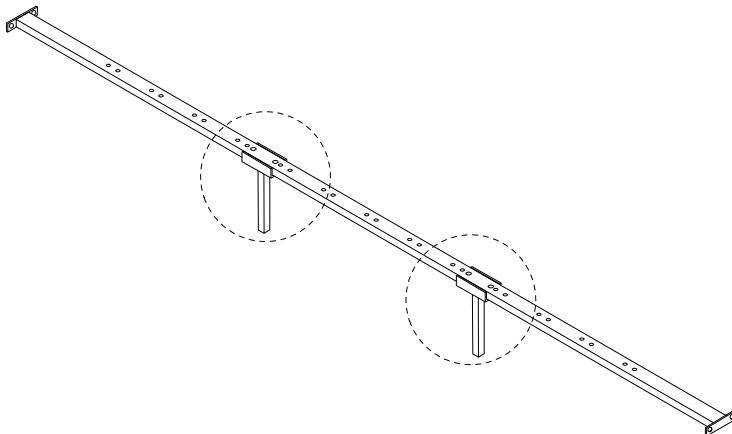


x 1

G



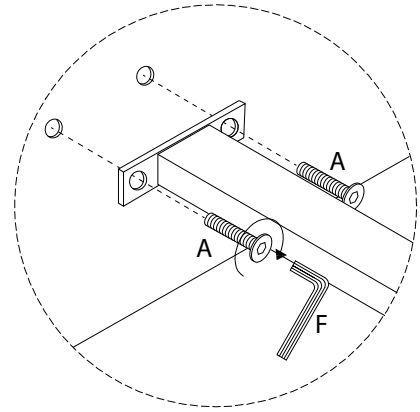
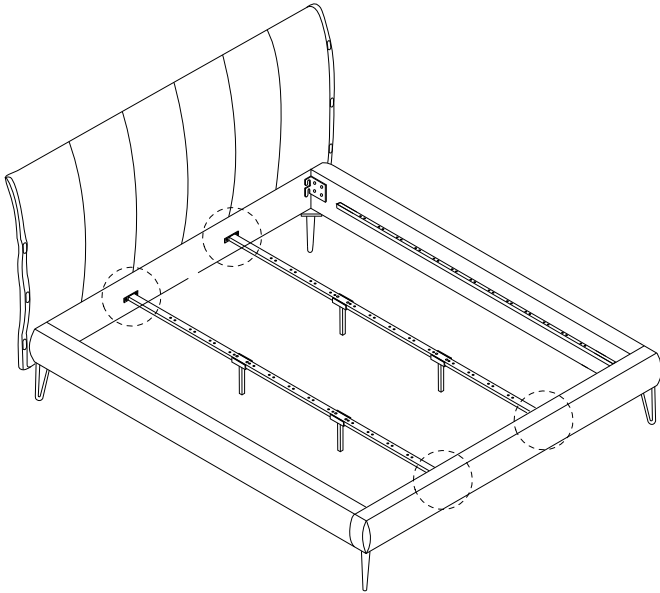
x 1



7

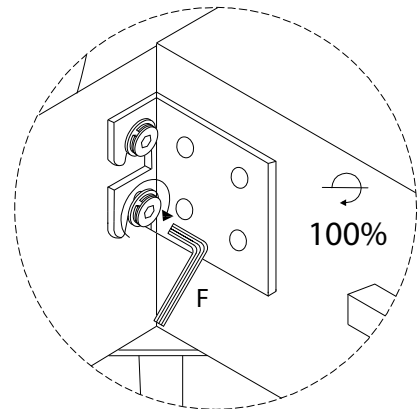
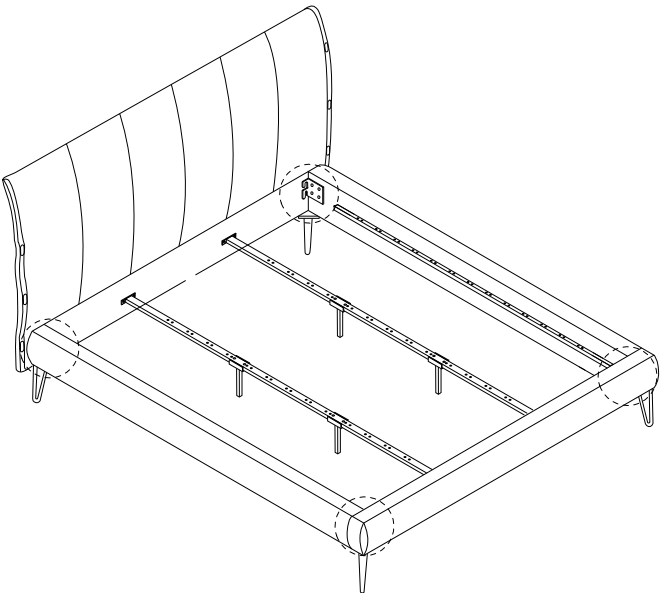
A  
M8  
x  
30  
x 8

F  
x 1

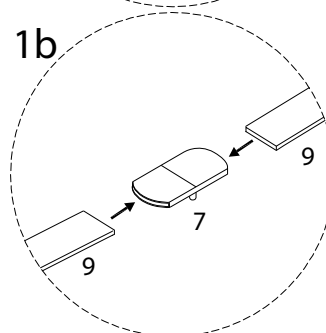
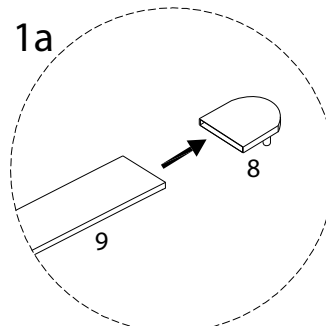
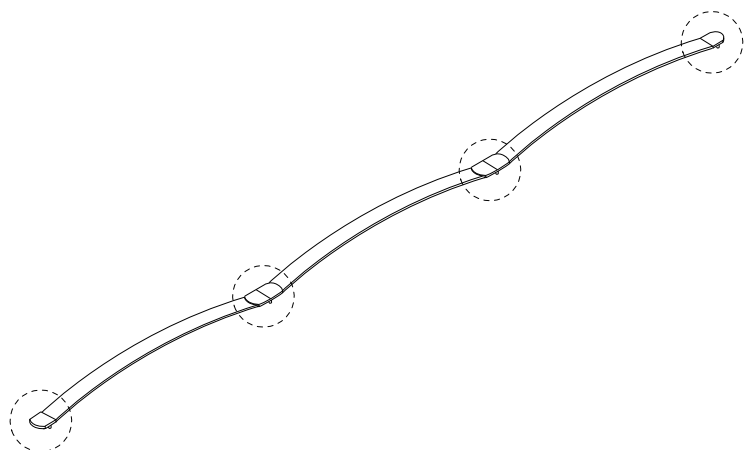
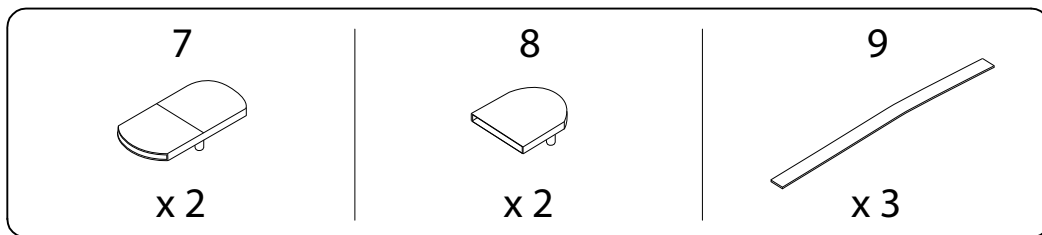


8

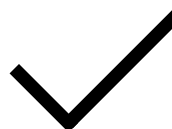
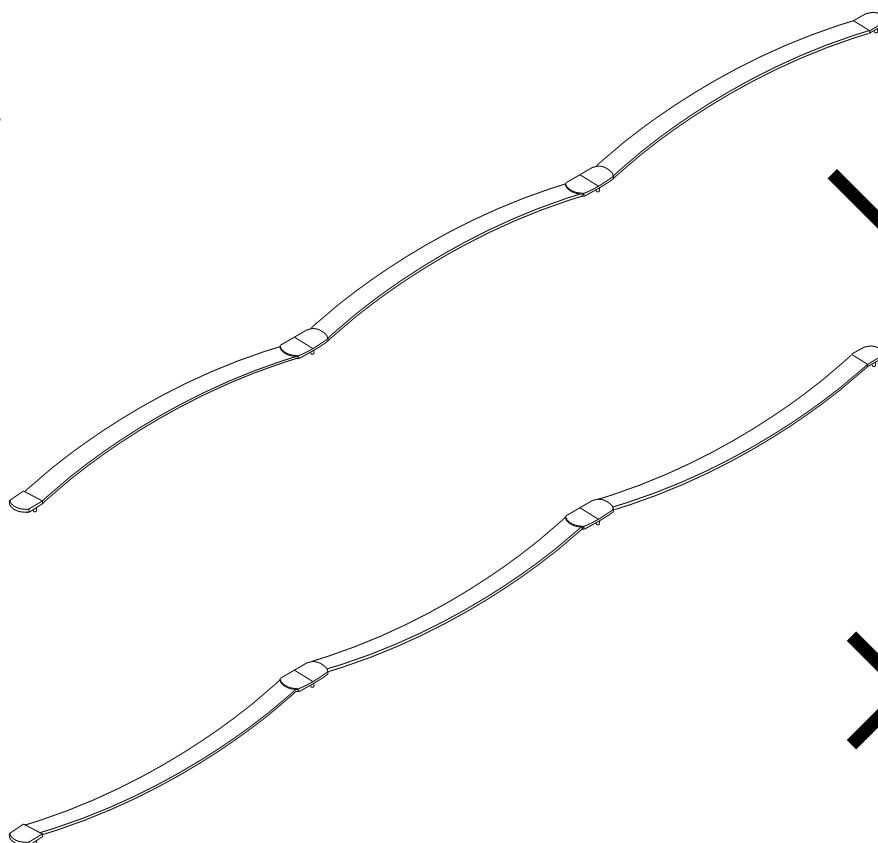
F  
x 1



9 x13



!





10

