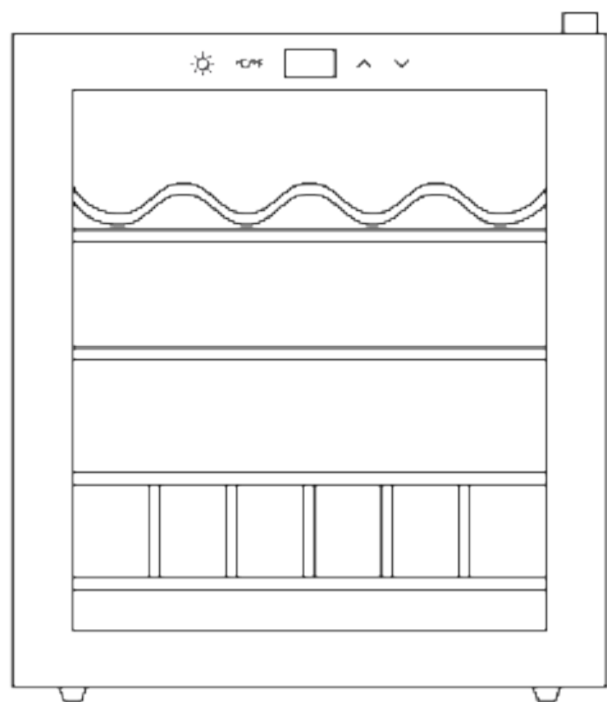


CREATE

WINECOOLER L



ELECTRIC WINE COOLER FOR 15 BOTTLES
VINOTECA ELÉCTRICA PARA 15 BOTELLAS

USER MANUAL

INDEX

ENGLISH

Security instructions	6
Product features	7
Parts list	7
Installation	8
Electrical connection	8
Operating your appliance	9
Control panel	9
How to use your wine cooler	9
Cleaning and maintenance	11
Troubleshooting	12

PORTUGUÊS

Instruções de segurança	20
Características do produto	21
Lista de peças	21
Instruções de montagem	22
Conexão elétrica	22
Uso da cava de vinho	23
Painel de controle	23
Como usar a cava de vinho	23
Limpeza e manutenção	25
Resolução de problemas	26

ESPAÑOL

Instrucciones de seguridad	13
Características del producto	14
Listado de partes	14
Instrucciones de montaje	15
Conexión eléctrica	15
Uso de la vinoteca	16
Panel de control	16
Cómo usar la vinoteca	16
Limpieza y mantenimiento	18
resolución de problemas	19

FRANÇAIS

Consignes de sécurité	27
Caractéristiques du produit	28
Liste des pièces	28
Instructions de montage	29
Branchement électrique	29
Utilisation de la cave à vin	30
Panneau de commande	30
Comment utiliser la cave à vin	30
Nettoyage et entretien	32
Résolution des problèmes	33

INDEX**ITALIANO**

Istruzioni di sicurezza	34
Caratteristiche del prodotto	35
Elenco delle parti	35
Istruzioni di montaggio	36
Collegamento elettrico	36
Utilizzo della cantinetta	37
Pannello di controllo	37
Come usare la cantinetta	37
Pulizia e manutenzione	39
Risoluzione del problema	40

NEDERLANDS

Beveiligingsinstructies	48
Producteigenschappen	49
Onderdelenlijst	49
Montage-instructies	50
Elektrische aansluiting	50
Gebruik van de wijnkoeler	51
Controlepaneel	51
Hoe de wijnkoeler te gebruiken	51
Reiniging en onderhoud	53
Probleemoplossing	54

DEUTSCH

Sicherheitshinweise	41
Produktigenschaften	42
Liste der Einzelteile	42
Montageanleitungen	43
Elektrischer Anschluss	43
Nutzung der Weinkühlschrank	44
Schalttafel	44
Verwendung des Weinkühlschrank	44
Reinigung und Instandhaltung	46
Problemlösung	47

PÓLSKI

Instrukcje bezpieczeństwa	55
Charakterystyka produktu	56
Lista części	56
Instrukcje składania	57
Połączenie elektryczne	57
Korzystanie z chłodziarki do wina	58
Panel sterowania	58
Jak używać chłodziarki do wina	58
Czyszczenie i konserwacja	60
Rozwiązanie problemu	61

ENGLISH

Thank you for choosing our wine cooler. Before using the appliance, and to ensure the best use, carefully read these instructions.

The safety precautions enclosed herein reduce the risk of death, injury and electrical shock when correctly adhered to. Keep the manual in a safe place for future reference, along with the completed warranty card, purchase receipt and package. If applicable, pass these instructions on to the next owner of the appliance. Always follow basic safety precautions and accident-prevention measures when using an electrical appliance. We assume no liability for customer failing to comply with these requirements.

SECURITY INSTRUCTIONS

When using any electrical appliance, basic safety precautions should always be observed.

- **WARNING:** Risk of child entrapment. To avoid the possibility of child entrapment, please take the following precautions before throwing out the wine cooler.
- Remove all doors from the unit.
- Leave the shelves in place so that children may not easily climb inside.
- Never allow children to operate, play with, or crawl inside the wine cooler.
- This appliance is not intended for use by persons (including children) with reduced physical, sensory or mental capabilities, or lack of experience and knowledge, unless they have been given supervision or instruction concerning use of the appliance by a person responsible for their safety.
- Do not use the appliance if the plug, the mains cord or the appliance itself is damaged. If the mains cord is damaged, you must have it replaced by the manufacturer, or an authorized service centre or similarly qualified persons in order to avoid a hazard.
- Refrigerants: All refrigeration products contain refrigerants, which under the guidelines of law must be removed before disposal of product. It is the consumer's responsibility to comply with local regulations when disposing of this product. Never clean wine cooler parts with flammable fluids. The fumes can create a fire hazard or explosion.
- This appliance is intended for indoor household use and similar applications such as: staff kitchen areas in shops, offices and other working environments; farm houses and by clients in hotels, motels and other residential type environments; bed and breakfast type environments; catering and similar non-retail applications.
- This unit is intended to be used exclusively for the storage of wine. Do not store food in this unit.
- Keep the appliance and its mains cable out of the reach of children.
- If the mains cable is damaged, it must be replaced by the manufacturer, its service agent or a qualified technician in order to avoid a hazard.
- Choose a location for your unit away from heat sources such as radiators or fires as refrigerant and vesicant are burnable.
- The unit must be manoeuvred by a minimum of 2 persons.
- This appliance can be used by children aged from 8 years and above and persons with reduced physical, sensory or mental capabilities or lack of experience and knowledge if they have been given supervision or instruction concerning use of the appliance in a safe way and understand the hazards involved. Children shall not play with the appliance. Cleaning and user maintenance shall not be made by children without supervision.
- This appliance cannot be used as a built-in appliance.

- Children should be supervised to ensure that they do not play with the unit.
- If your unit is fitted with a lock to prevent children being trapped inside, keep the key out of reach and not in the vicinity of the unit.
- Do not store explosive substances such as aerosol cans with a flammable propellant in this appliance.

PRODUCT FEATURES

Control panel

- The control panel is located at the interior of the appliance, it is very easy to set the temperature of the appliance and see what temperature the appliance is set to.

Interior light

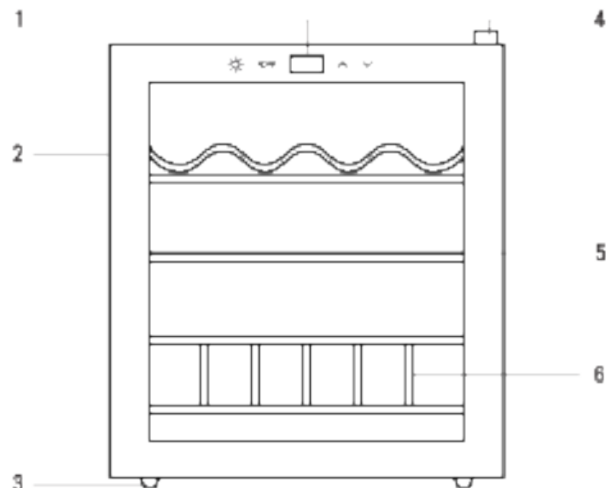
- The wine cooler has an interior light. The light can be switched on and off by using the light control button.

Shelves

- The shelves are fully adjustable to suit various wine bottle shapes and sizes.
- To prevent damaging the door gasket, make sure the door is fully open when pulling shelves out of the rail compartment.
- For easy access to the bottles stored, pull the shelves out approximately 1/3. The shelves are designed with an emergency stop to prevent them being removed too far when loaded.

PARTS LIST

1. Electronic control panel and display
2. Recess handle
3. Adjustable feet
4. Hinge cover
5. Wooden shelf
6. Bottle guard bar



INSTALLATION

Before using your wine cooler:

- Remove the exterior and interior packing.
- Before connecting the wine cooler to the power source, let it stand upright for approximately 4 hours. This will reduce the possibility of a malfunction in the cooling system from improper handling during transportation. Clean the interior surface with lukewarm water using a soft cloth.

Installing your wine cooler

- This wine cooler is designed to be free standing only, and should not be recessed or built-in.
- Allow 5 inches of space between the back and sides of the wine cooler, which allows the proper air ventilation. Adjust the feet to keep the wine cooler level. Locate the wine cooler away from direct sunlight and sources of heat (stove, heater, radiator, etc.). Direct sunlight may affect the acrylic coating and heat sources may increase electrical consumption. Ambient temperature below 5 °C or above 32 °C will hinder the performance of this appliance.
- Depending on the location of the appliance, the direction of the door opening can be changed.

WARNING: This unit is not designed for use in a garage or any other outside installation.

- Avoid locating the wine cooler in moist areas.
- Plug the wine cooler into dedicated, properly installed-grounded wall outlet. Do not under any circumstances cut or remove the third (ground) prong from the power cord. Any questions concerning power and/or grounding should be directed toward a certified electrician or an authorized service center.

WARNING: This unit is not designed to be installed in an RV or used with an inverter.

- After plugging the wine cooler into a wall outlet, turn the unit on and allow the unit to cool down for 3 – 4 hours under before placing wine bottles or beverages in the appliance.

WARNING: Keep ventilation openings in the appliance enclosure clear of obstruction.

ELECTRICAL CONNECTION

WARNING: Improper use of the grounded plug can result in the risk of electrical shock. If the power cord is damaged, have it replaced by an authorized service center.

- This wine cooler should be properly grounded for your safety. The power cord of this wine cooler is equipped with a three-prong plug which mates with standard three prong wall outlets to minimize the possibility of electrical shock.
- This wine cooler is not designed to be used with an inverter.
- The cord should be secured behind the wine cooler and not left exposed or dangling to prevent accidental injury.
- Never unplug the wine cooler by pulling the power cord. Always grip the plug firmly and pull straight out from the receptacle.
- Do not use an extension cord with this appliance. If the power cord is too short, have a qualified electrician or service technician install an outlet near the appliance. Use of an extension cord can negatively affect the performance of the unit.
- Do not use electrical appliances inside the food storage compartments of the appliance, unless they are of the type recommended by the manufacturer.

- Do not store explosive substances such as aerosol cans with a flammable propellant in this appliance.



WARNING: Risk of fire/flammable materials.

OPERATING YOUR APPLIANCE

CONTROL PANEL



The control panel is located at the top of the door.

LIGHT BUTTON

To turn the inner light on or off.

TEMPERATURE SET BUTTON

Used to increase (warm) the set temperature by 1 °C or 1 °F.

TEMPERATURE SET BUTTON

Used to decrease (cool) the set temperature by 1 °C or 1 °F.

°F / °C SELECTOR

Select the temperature display setting in Fahrenheit or Celsius degree. To change the temperature from Fahrenheit to Celsius or from Celsius to Fahrenheit, touch and hold the light button for 5 seconds.

SELECT THE TEMPERATURE

Your wine cooler has one single compartment. The temperature can be chosen between 4 °C to 18 °C (39 - 66 °F). It is recommended to set the temperature in the range of 12 °C to 18 °C (55 - 64 °F) range which is ideal for storing red wines and to adjust between 4 °C and 12 °C (39-55 °F) range suitable for champagnes and white wines.

WINE COOLER SHELVES

The shelves are fully adjustable to suit various wine bottle shapes and sizes.

To prevent damaging the door gasket, make sure the door is fully open when pulling shelves out of the rail compartment.

The shelves are placed in factory mode that result in the most efficient use of energy for the refrigerating appliances.

HOW TO USE YOUR WINE COOLER

Before switching on:

- Make sure that it has been installed by a suitably qualified person, as per the information contained in the installation instructions.
- After delivery, wait for four hours before connecting the appliance to your mains supply. This will allow any refrigerant gasses that may have been disturbed during the transportation process to settle.
- The outside of the appliance and the removable accessories contained within it, should be cleaned with a solution of liquid detergent and water.

- The interior of the appliance should be cleaned with a solution of sodium bicarbonate dissolved in lukewarm water.
- The interior and accessories should be thoroughly dried, after the cleaning process has been completed.
- There can be an odour when you first switch on the appliance. It will lessen as the appliance starts to cool.

During first use:

IMPORTANT: When you use the wine cooler for the first time or restart the appliance after it has been turned off for a long time, there could be a few degrees variance between the temperature you select and the one indicated on the LED display. This is normal and it is due to the length of activation time. Once the wine cooler has been running for a few hours everything will be back to normal.

- When you first switch on the appliance, the compressor will run continuously until the wine cooler reaches a cool enough temperature.
- During this period of time, you should try not to open the door frequently or place bottles inside of the appliance.
- If the unit is switched off or unplugged, you must allow at least 5 minutes before restarting the appliance or reconnecting it to your mains supply.

Loading the wine cooler:

IMPORTANT: Your appliance is ideally suited to store 0.75 litre Bordeaux style wine bottles. Whilst it can store larger bottles, you must make sure that they do not prevent the door from shutting properly.

- Always check that you can close the door without it fouling on a wine bottle, before shutting it.
- When loading several bottles of wine at once, it will take longer for the appliance to cool the individual bottles.
- As many bottles may differ in size and dimensions, the actual number of bottles you are able to store may vary.
- The maximum storage number is based on standard 0.75 litre Bordeaux style wine bottles.

Storing your wine:

- The chart below indicates the ideal storage temperatures for different types of wine:

Type of wine	Temperature (Celsius)	Temperature (Fahrenheit)
Red wine	15 - 18 °C	58 - 65 °F
White wine	9 - 14 °C	48 - 59 °F
Sparkling wines/champagne	4 - 8 °C	39 - 47 °F

Note: Setting the temperature too high can cause the wine to spoil, and setting the temperature too low can waste electricity.

- Temperature stability is the most important factor when it comes to storing wine.
- Exposure to light, vibrations or fluctuations in temperature and humidity can all cause wine to spoil. When properly stored, wines not only maintain their quality but many will actually improve in aroma, flavour and complexity as they mature.
- Wines kept at a higher temperature will age faster. Wine that is exposed to temperatures that are greater than 18 °C (64 °F) will suffer from poorer flavour and aroma.
- If wine is kept at too low a temperature, this can result in the development of harmful deposits. A humidity of 60%-70% is ideal for keeping corks from shrinking.

- After a bottle of wine has been opened, the wine comes into contact with air. So it is best to store the remainder of the bottle upright, to minimize the surface area of the wine that is coming into contact with the air.
- Once opened, wine will remain in a drinkable condition for two days for delicate whites or three days for rich reds, as long as the bottle has been resealed. You should make sure that the seal is firm by checking the stopper.
- Special stoppers that keep wine sparkling and Champagne bubbling for one or two days after opening, can be bought at most good wine shops.
- When stored correctly, white wines can keep well for up to two years. Full bodied reds will age well for ten years and dessert wines will age well for up to twenty years.
- When you buy a bottle of wine, you should transfer it to a suitable storage location immediately (if you are not going to store it in your wine cooler).
- Cheaper bottles of wine will not age as well as more expensive ones.
- To make the most of the bouquet and taste of your wine, never fill more than half a glass at a time. It will also help if the shape of your wine glass is appropriate for your wine. The size and shape of your wine glass's bowl will determine the intensity and complexity of the bouquet. The stem should be long enough to allow you to avoid hand contact with the bowl of the glass and should be tulip-shaped or tapered at the top.

CLEANING AND MAINTENANCE

- Upon installation of your new appliance, it is recommended that it be cleaned thoroughly.
- Turn off the wine cooler first and then unplug the unit from the wall outlet.
- Remove all contents.
- Wash the inside with a damp warm cloth soaked in lukewarm water and baking soda solution.
- The solution should be about 2 tablespoons of baking soda to a quart of water.
- Be sure to keep the door gasket (seal) clean to keep the unit running efficiently.
- The outside of the wine cooler should be cleaned with mild detergent and warm water.
- Dry the interior and exterior with a soft cloth.
- Dust or anything else blocking the vent may hinder the cooling efficiency of the appliance. Vacuum the vent if necessary.
- Turn off the wine cooler first and then unplug the unit from the wall outlet when it is not going to be used for a long period of time.
- Remove all the contents.
- Clean the appliance.
- Leave the lid open slightly to avoid possible formation of condensation, mold, or odors.
- Short vacations: Leave the wine cooler operating during vacations of less than three weeks.
- Long vacations: If the wine cooler will not be used for several months, remove all content and unplug the power cord. Clean and dry the interior thoroughly. To prevent odor and mold growth, leave the door open slightly; blocking it open if necessary.
- Moving Your Appliance: Turn off the wine cooler first and then unplug the unit from the wall outlet.
- Remove all the contents.
- Securely tape down all loose items inside your appliance.
- Tape the doors shut.

Energy Saving Tips:

- The wine cooler should be located in the coolest area of the room, away from heat producing appliances or heating ducts, and out of the direct sunlight.
- Ensure that door is properly closed when the wine cooler is turned on.

Bulb replacement:

- The light is an energy efficient, long life LED. Therefore, it should not need replacing throughout the life of the product. However, if it has to be done, it has to be replaced by a qualified engineer. The following symbol indicates that the light source in this appliance should only be replaced by a qualified engineer:



TROUBLESHOOTING

PROBLEM	POSSIBLE CAUSE AND SOLUTIONS
The wine cooler does not work.	Not connected. The circuit breaker is tripped or the fuse is damaged.
Temperature inside the wine cooler is too warm.	Temperature control is set too warm. Turn the control to a cooler setting and allow several hours for the temperature to stabilize. Door is kept open too long or is opened too frequently. Warm air enters the wine cooler every time the door is opened. Open the door less often. The door is not closed completely. The door gasket does not seal properly. The wine cooler has recently been disconnected for a period of time. 4 hours are required for the wine cooler to cool down completely.
Temperature inside the wine cooler is too cold.	Temperature control is set too cold. Turn the control to a warmer setting and allow several hours for the temperature to stabilize. Check to assure that the wine cooler is on a level surface.
Vibrations.	The wine cooler is touching the wall. Re-level the wine cooler and move it from the wall. * continued vibration occurs, turn off the wine cooler and unplug the power plug. Contact Customer Service Dept. for further assistance.
Moisture forms on inside wine cooler walls.	Door is slightly open. Door is kept open too long, or is opened too frequently. Open the door less often. The door is not sealed properly.
Moisture forms on outside of appliance.	Door is slightly open, causing cold air from inside the wine cooler to meet warm moist air from outside.
The door does not close properly.	The wine cooler is not on a level surface. The gasket is dirty.



In compliance with Directives 2012/19/EU and 2015/853/EU on the restriction of the use of dangerous substances in electric and electronic equipment as well as their waste disposal. The symbol with the crossed double slash shown on the package indicates that the product at the end of its service life should be collected as separate waste. Therefore, any products that have reached the end of their useful life must be given to waste disposal centres specialising in separate collection of waste electrical and electronic equipment, or given back to the retailer at the time of purchasing new similar equipment on a one-for-one basis. The adequate separate collection for the subsequent start-up of the equipment seen to be recycled, treated and disposed of in an environmentally compatible way contributes to preventing possible negative effects on the environment and health and optimises the recycling and reuse of components making up the appliance. Appropriate disposal of the product by the user involves application of the administrative sanctions according to the laws.

Gracias por elegir nuestra vinoteca. Antes de utilizar este electrodoméstico y para asegurar su mejor uso, por favor, lea detenidamente las instrucciones.

Las medidas de seguridad aquí indicadas reducen el riesgo de incendio, descarga eléctrica y lesiones cuando se siguen correctamente. Guarde el manual en un lugar seguro para futuras referencias, así como la garantía, el recibo de compra y la caja. Si procede, entregue estas instrucciones al futuro propietario del electrodoméstico. Siempre siga las instrucciones básicas de seguridad y las medidas de prevención de riesgos cuando utilice un electrodoméstico eléctrico. El fabricante no se responsabilizará de ningún daño derivado del incumplimiento de estas instrucciones por parte del usuario.

INSTRUCCIONES DE SEGURIDAD

Al usar cualquier aparato eléctrico, siempre se deben observar precauciones básicas de seguridad.

- **ADVERTENCIA:** Riesgo de atrapamiento. Para evitar la posibilidad de que un niño quede atrapado, tome las siguientes precauciones antes de tirar la vinoteca.
- Retire todas las puertas de la unidad.
- Deje los estantes en su lugar para que los niños no puedan subir fácilmente.
- Nunca permita que los niños utilicen, jueguen o gateen dentro de la vinoteca.
- Este electrodoméstico no está diseñado para ser utilizado por personas (incluidos niños) con capacidades físicas, sensoriales o mentales reducidas, o con falta de experiencia y conocimiento, a menos que hayan recibido supervisión o instrucciones sobre el uso del electrodoméstico por parte de una persona responsable de su seguridad.
- No utilice el aparato si el enchufe, el cable de alimentación o el propio aparato están dañados. Si el cable de alimentación está dañado, debe reemplazarlo el fabricante, un centro de servicio autorizado o personas cualificadas de manera similar para evitar riesgos.
- Refrigerantes: Todos los productos de refrigeración contienen refrigerantes, que según las pautas de la ley deben eliminarse antes de desechar el producto. Es responsabilidad del consumidor cumplir con las regulaciones locales al desechar este producto. Nunca limpie las partes del enfriador de vino con líquidos inflamables. Los humos pueden crear un peligro de incendio o explosión.
- Este electrodoméstico está diseñado para uso doméstico en interiores y aplicaciones similares, tales como: áreas de cocina del personal en tiendas, oficinas y otros entornos de trabajo; casas de campo y clientes en hoteles, moteles y otros entornos residenciales; ambientes tipo cama y desayuno; catering y aplicaciones similares.
- Esta unidad está diseñada para ser utilizada exclusivamente para el almacenamiento de vino. No almacene alimentos en esta unidad.
- Mantenga el aparato y su cable de alimentación fuera del alcance de los niños.
- Si el cable de alimentación está dañado, debe ser reemplazado por el fabricante, su agente de servicio o un técnico cualificado para evitar riesgos.
- Elija una ubicación para su unidad lejos de fuentes de calor, como radiadores o chimeneas, ya que el refrigerante puede quemarse.
- La unidad debe ser maniobrada por un mínimo de 2 personas.
- Este aparato puede ser utilizado por niños de 8 años en adelante y personas con capacidades físicas, sensoriales o mentales reducidas o falta de experiencia y conocimiento si se les ha dado supervisión o instrucciones sobre el uso del aparato de manera segura y entienden los peligros involucrados. Los niños no deben jugar con el aparato. La limpieza y el mantenimiento del usuario no deben ser realizados por niños sin supervisión.
- Este aparato no puede utilizarse como electrodoméstico encastrado.

- Los niños deben ser supervisados para asegurarse de que no jueguen con la unidad.
- Si su unidad está equipada con un candado para evitar que los niños queden atrapados dentro, mantenga la llave fuera del alcance y no cerca de la unidad.
- No almacene sustancias explosivas como latas de aerosol con un propulsor inflamable en este aparato.

CARACTERÍSTICAS DEL PRODUCTO

Panel de control

- El panel de control está ubicado en el interior del aparato, es muy fácil configurar la temperatura del aparato y ver a qué temperatura está configurado.

Luz interior

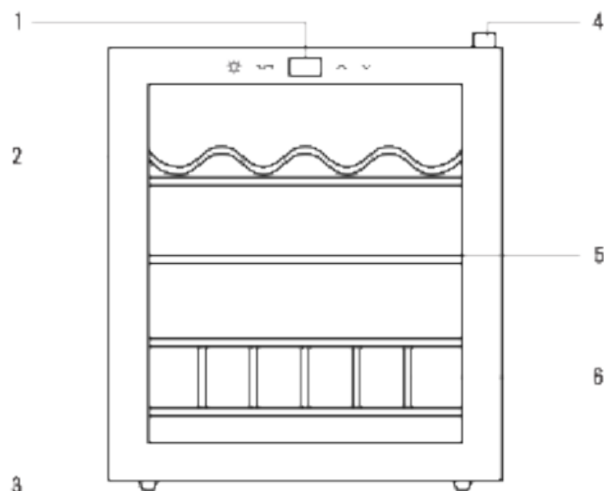
- La vinoteca tiene una luz interior. La luz se puede encender y apagar usando el botón de control de luz.

Estantería

- Los estantes son totalmente ajustables para adaptarse a diversas formas y tamaños de botellas de vino.
- Para evitar dañar la junta de la puerta, asegúrese de que la puerta esté completamente abierta al sacar los estantes del compartimento del riel.
- Para acceder fácilmente a las botellas almacenadas, extraiga los estantes aproximadamente 1/3. Los estantes están diseñados con una parada de emergencia para evitar que se retiren demasiado cuando están cargados.

LISTADO DE PARTES

1. Pantalla y panel de control electrónico
2. Tirador de la puerta
3. Patas ajustables
4. Cubierta de la bisagra
5. Estante de madera
6. Barra protectora para botellas de vino



INSTRUCCIONES DE MONTAJE

Antes de usar su vinoteca:

- Retire el embalaje exterior e interior.
- Antes de conectar la vinoteca a la fuente de alimentación, déjela en posición vertical durante aproximadamente 4 horas. Esto reducirá la posibilidad de un mal funcionamiento en el sistema de enfriamiento debido a un manejo inadecuado durante el transporte. Limpie la superficie interior con agua tibia con un paño suave.

Instalar su vinoteca:

- Esta vinoteca está diseñada para ser independiente y no debe empotrarse.
- Deje 5 centímetros de espacio entre la parte posterior y los lados de la vinoteca, lo que permite la ventilación de aire adecuada. Ajuste las patas para mantener el nivel del vino en la posición más adecuada. Ubique la vinoteca lejos de la luz solar directa y de fuentes de calor (estufa, encimera, radiador, etc.). La luz solar directa puede afectar el recubrimiento acrílico y las fuentes de calor pueden aumentar el consumo eléctrico. La temperatura ambiente por debajo de 5 °C o por encima de 32 °C dificultará el rendimiento de este aparato.

ADVERTENCIA: Esta unidad no está diseñada para usarse en un garaje o cualquier otra instalación externa.

- Evite ubicar la vinoteca en áreas húmedas.
- Conecte la vinoteca a una toma de corriente de pared, debidamente instalada y conectada a tierra. Bajo ninguna circunstancia corte ni retire el tercer cable (tierra) de alimentación. Cualquier pregunta relacionada con la alimentación o la conexión a tierra debe dirigirse a un electricista certificado o a un centro de servicio autorizado.

ADVERTENCIA: Esta unidad no está diseñada para instalarse en una caravana o usarse con un convertidor.

- Después de enchufar la vinoteca a una toma de corriente de pared, encienda la unidad y deje que se enfríe durante 3 o 4 horas antes de colocar botellas de vino o bebidas en el aparato.

ADVERTENCIA: Mantenga las salidas de ventilación del cuerpo exterior del electrodoméstico libres de obstrucciones.

CONEXIÓN ELÉCTRICA

ADVERTENCIA: El uso incorrecto del enchufe con conexión a tierra puede provocar un riesgo de descarga eléctrica. Si el cable de alimentación está dañado, haga que lo reemplace un centro de servicio autorizado.

- Esta vinoteca debe estar debidamente conectada a tierra para su seguridad. El cable de alimentación está equipado con un enchufe de tres clavijas que se acopla a las tomas de corriente de pared estándar de tres clavijas para minimizar la posibilidad de una descarga eléctrica.
- Esta vinoteca no está diseñada para usarse con un Inversor.
- El cable debe estar asegurado detrás del aparato y no debe dejarse expuesto o colgando para evitar lesiones accidentales.
- Nunca desenchufe la vinoteca tirando del cable de alimentación. Agarre siempre el enchufe con firmeza y tire hacia afuera del receptáculo.
- No utilice un cable de extensión con este aparato. Si el cable de alimentación es demasiado corto, solicite a un electricista o técnico de servicio cualificado que instale una toma de corriente cerca del electrodoméstico. El uso de un cable de extensión puede afectar negativamente el rendimiento de la unidad.
- No utilice aparatos eléctricos dentro de los compartimentos de almacenamiento de alimentos del aparato, a menos que sean del tipo recomendado por el fabricante.

- No almacene sustancias explosivas como latas de aerosol con un propulsor inflamable en este aparato.



ADVERTENCIA: Riesgo de incendio / materiales inflamables.

USO DE LA VINOTECA

PANEL DE CONTROL



El panel de control se encuentra en la parte superior de la puerta.

BOTÓN DE LUZ

Para encender o apagar la luz interior.

BOTÓN PARA SUBIR LA TEMPERATURA

Para subir la temperatura en 1 °C o 1 °F cada vez.

BOTÓN PARA BAJAR LA TEMPERATURA

Para bajar la temperatura en 1 °C o 1 °F cada vez.

SELECCIONAR °F / °C

Seleccione la configuración de visualización de temperatura en grados Fahrenheit o Celsius. Para cambiar la temperatura de Fahrenheit a Celsius o de Celsius a Fahrenheit, toque y mantenga presionado el botón de luz durante 5 segundos.

SELECCIONAR LA TEMPERATURA

Su vinoteca tiene un solo compartimento. La temperatura se puede elegir entre 4 °C y 18 °C (39 - 65 °F). Se recomienda establecer la temperatura en el rango de 12 °C a 18 °C (55 - 64 °F), que es ideal para almacenar vinos tintos y ajustar entre 4 °C y 12 °C (39 - 55 °F) adecuado para el champán y los vinos blancos.

ESTANTERÍAS DE LA VINOTECA

Las estanterías son totalmente ajustables para adaptarse a diferentes formas y tamaños de botellas de vino.

Para evitar dañar la junta de la puerta, asegúrese de que la puerta esté completamente abierta al sacar las estanterías del compartimento de rieles.

Las estanterías ya vienen colocadas en modo de fábrica, lo que da como resultado el uso más eficiente de energía para los aparatos de refrigeración.

CÓMO USAR LA VINOTECA

Antes de encender:

- Asegúrese de que haya sido instalado por una persona debidamente cualificada, según la información contenida en las instrucciones de instalación.
- Después de la entrega, espere cuatro horas antes de conectar el aparato a la red eléctrica. Esto permitirá que se depositen los gases refrigerantes que puedan haberse alterado durante el proceso de transporte.
- El exterior del aparato y los accesorios extraíbles contenidos en él deben limpiarse con una solución de detergente líquido y agua.
- El interior del aparato debe limpiarse con una solución de bicarbonato de sodio disuelto en agua tibia.
- El interior y los accesorios deben secarse del todo, una vez completado el proceso de limpieza.

- Puede desprenderse un olor peculiar cuando enciende el aparato por primera vez. Disminuirá a medida que el aparato comience a enfriarse.
- **Durante el primer uso:**
- **IMPORTANTE:** Cuando usa la vinoteca por primera vez o reinicia el electrodoméstico después de haberlo apagado por un tiempo prolongado, puede haber una variación de algunos grados entre la temperatura que seleccione y la indicada en la pantalla LED. Esto es normal y se debe a la duración del tiempo de activación. Una vez que la vinoteca haya estado funcionando durante unas horas, todo volverá a la normalidad.
- Cuando encienda el aparato por primera vez, el compresor funcionará continuamente hasta que la vinoteca alcance una temperatura lo suficientemente fría.
- Durante este período de tiempo, debe intentar no abrir la puerta con frecuencia ni colocar botellas dentro del aparato.
- Si la unidad está apagada o desenchufada, debe esperar al menos 5 minutos antes de reiniciar el aparato.

Cargar la vinoteca:

- **IMPORTANTE:** Su electrodoméstico es ideal para almacenar botellas de vino estilo Burdeos de 0,75 litros. Si bien puede almacenar botellas más grandes, debe asegurarse de que no impidan que la puerta se cierre correctamente.
- Siempre verifique que pueda cerrar la puerta sin golpear las botellas de vino.
- Cuando cargue varias botellas de vino a la vez, el aparato tardará más en enfriar las botellas individuales.
- Como muchas botellas pueden diferir en tamaño y dimensiones, la cantidad real de botellas que puede almacenar puede variar.
- El número máximo de almacenamiento se basa en botellas de vino estándar de 0,75 litros.

Almacenar el vino:

- La tabla a continuación indica las temperaturas de almacenamiento ideales para diferentes tipos de vino:

Tipo de vino	Temperatura (Celsius)	Temperatura (Fahrenheit)
Vino tinto	12 - 18 °C	58 - 64 °F
Vino blanco	5 - 12 °C	48 - 79 °F
Vinos espumosos / Cavae	4 - 8 °C	39 - 47 °F

Nota: Si la temperatura se ajusta demasiado alta, el vino se puede estropear. Si se ajusta demasiado baja, se puede producir un gasto alto de electricidad.

- La estabilidad de la temperatura es el factor más importante cuando se trata de almacenar vino.
- La exposición a la luz, las vibraciones o las fluctuaciones de temperatura y humedad pueden hacer que el vino se eche a perder. Cuando se almacenan adecuadamente, los vinos no solo mantienen su calidad, sino que muchos mejorarán en aroma, sabor y complejidad a medida que maduran.
- Los vinos que se mantienen a una temperatura más alta envejecerán más rápido. El vino que está expuesto a temperaturas superiores a 18 °C (64 °F) sufrirá un sabor y aroma más pobres.
- Si el vino se mantiene a una temperatura demasiado baja, esto puede provocar el desarrollo de depósitos nocivos. Una humedad del 60 % ~ 70 % es ideal para evitar que los corchos se encojan.
- Después de abrir una botella de vino, el vino entra en contacto con el aire. Por lo tanto, es mejor almacenar el resto de la botella en posición vertical, para minimizar el área de superficie del vino que entra en contacto con el aire.
- Una vez abierto, el vino permanecerá en condiciones óptimas durante dos días para los blancos delicados o tres días para los tintos con más cuerpo, siempre que la botella se haya cerrado nuevamente. Debe asegurarse de que el sello esté firme comprobando el tapón.

- Se pueden comprar tapones especiales que mantienen el vino espumoso y el champán burbujeante durante uno o dos días después de la apertura en la mayoría de las buenas tiendas de vinos.
- Cuando se almacenan correctamente, los vinos blancos pueden mantenerse bien hasta durante dos años. Los tintos con cuerpo envejecerán bien durante diez años y los vinos de postre envejecerán bien hasta veinte años.
- Cuando compre una botella de vino, debe transferirla a un lugar de almacenamiento adecuado de inmediato (si no va a almacenarla en su vinoteca).
- Las botellas de vino más baratas no envejecerán tan bien como las más caras.
- Para aprovechar al máximo el aroma y el sabor de su vino, nunca llene más de medio vaso a la vez. También ayudará si la forma de su copa de vino es apropiada para su vino. El tamaño y la forma de su copa de vino determinarán la intensidad y la complejidad. El tallo debe ser lo suficientemente largo como para evitar el contacto de las manos con el recipiente del vaso y debe tener forma de tulipán o cónico en la parte superior.

LIMPIEZA Y MANTENIMIENTO

- Tras la instalación de su nuevo electrodoméstico, se recomienda que se limpie a fondo.
- Primero apague la vinoteca y luego desconecte la unidad de la toma de corriente.
- Elimine todo el contenido.
- Lave el interior con un paño húmedo y tibio empapado en agua tibia y una solución de bicarbonato de sodio.
- La solución debe ser de aproximadamente 2 cucharadas de bicarbonato de sodio por cada litro de agua.
- Asegúrese de mantener limpia la junta de la puerta (sello) para que la unidad funcione de manera eficiente.
- El exterior de la vinoteca debe limpiarse con detergente suave y agua tibia.
- Seque el interior y el exterior con un paño suave.
- El polvo o cualquier otra cosa que bloquee la ventilación puede dificultar la eficiencia de enfriamiento del aparato.
- Primero apague la vinoteca y luego desenchufe la unidad de la toma de corriente cuando no vaya a utilizarla durante un periodo prolongado de tiempo.
- Elimine todo el contenido.
- Limpie el aparato.
- Deje la puerta ligeramente abierta para evitar la posible formación de condensación, moho u olores.
- Vacaciones cortas: Deje la vinoteca en funcionamiento durante las vacaciones de menos de tres semanas.
- Vacaciones largas: Si la vinoteca no se va a utilizar durante varios meses, retire todo el contenido y desconecte el cable de alimentación. Limpie y seque el interior a fondo. Para evitar el olor y el crecimiento de moho, deje la puerta ligeramente abierta; bloquéela si es necesario.
- Traslado de su electrodoméstico: Apague primero la vinoteca y luego desconecte la unidad de la toma de corriente.
- Elimine todo el contenido.
- Asegure con cinta adhesiva todos los artículos sueltos dentro de su aparato.
- Tape las puertas cerradas.
- **Consejos para ahorrar energía:**
- La vinoteca debe ubicarse en el área más fresca de la habitación, lejos de aparatos que produzcan calor o conductos de calefacción, y lejos de la luz solar directa.
- Asegúrese de que la puerta esté bien cerrada cuando la vinoteca esté encendida.

Reemplazar la bombilla:

- La luz es una bombilla LED de larga duración y de bajo consumo. Por lo tanto, no debería ser necesario reemplazarla durante la vida útil del producto. Sin embargo, si es necesario hacerlo, debe ser reemplazada por personal cualificado. El siguiente símbolo indica que la fuente de luz de este aparato solo debe ser reemplazada por un técnico cualificado:



RESOLUCIÓN DE PROBLEMAS

PROBLEMA	POSIBLE CAUSA Y SOLUCIONES
La vinoteca no funciona.	No está conectada. El interruptor automático se ha disparado o el fusible está dañado. El control de temperatura está configurado demasiado caliente. Cámbielo a una configuración más fría y espere varias horas para que la temperatura se estabilice.
La temperatura interior es demasiado alta.	La puerta se mantiene abierta demasiado tiempo o se abre con demasiada frecuencia. El aire caliente ingresa al enfriador de vino cada vez que se abre la puerta. Abra la puerta con menos frecuencia. La puerta no está completamente cerrada. La junta de la puerta no se sella correctamente. La vinoteca se ha desconectado recientemente durante un tiempo. Se requieren 4 horas para que la vinoteca se enfríe por completo.
La temperatura interior es demasiado baja.	El control de temperatura está configurado demasiado frío. Cámbielo a una configuración más cálida y espere varias horas para que la temperatura se estabilice.
Vibraciones.	Asegúrese de que la vinoteca está sobre una superficie nivelada. La vinoteca toca la pared. Vuelva a nivelarla y apártela de la pared. Si se produce una vibración continua, apague la vinoteca y desconecte el enchufe de alimentación. Póngase en contacto con el Departamento de Servicio al Cliente para obtener más ayuda.
Hay condensación en las paredes interiores de la vinoteca.	La puerta está ligeramente abierta. La puerta se mantiene abierta demasiado tiempo o se abre con demasiada frecuencia. Abra la puerta con menos frecuencia. La puerta no está sellada correctamente.
Hay condensación en las paredes exteriores de la vinoteca.	Asegúrese de que la vinoteca está sobre una superficie nivelada.
La puerta no cierra adecuadamente.	La vinoteca no está en una superficie nivelada. La junta está sucia.

En cumplimiento de los directivos 2002/95/CE y 2002/96/CE sobre la restricción del uso de sustancias peligrosas en equipos eléctricos y electrónicos, así como su eliminación de residuos. El símbolo con el cubo de basura con una cruz que se muestra en el paquete indica que el producto al final de su vida útil se recogerá como residuo separado. Por lo tanto, cualquier producto que haya llegado al final de su vida útil debe entregarse a centros de eliminación de residuos especializados en la recogida selectiva de equipos eléctricos y electrónicos para su reciclaje, o devolverse al momento de comprar equipos nuevos similares, en uno para una base. La recolección separada adecuada para la posterior puesta en marcha de los equipos enviados para ser reciclados, tratados y eliminados de una manera compatible con el medio ambiente contribuye a prevenir posibles efectos negativos sobre el medio ambiente y la salud y optimiza el reciclaje y la reutilización de los componentes que componen el aparato. La eliminación abusiva del producto por parte del usuario implica la aplicación de las sanciones administrativas de acuerdo con las leyes.



PORTUGUÊS

Obrigado por escolher a nossa cava de vinho. Antes de utilizar este aparelho e para garantir a sua melhor utilização, leia atentamente as instruções.

As medidas de segurança listadas aqui reduzem o risco de incêndio, choque elétrico e ferimentos, quando devidamente seguidas. Guarde o manual em local seguro para referência futura, bem como a garantia, o recibo de compra e a caixa. Se possível, passe essas instruções ao próximo proprietário do aparelho. Sempre siga as instruções básicas de segurança e as medidas de prevenção de riscos ao usar um aparelho elétrico. O fabricante não se responsabiliza por quaisquer danos resultantes do não cumprimento destas instruções por parte do usuário.

INSTRUÇÕES DE SEGURANÇA

Ao usar qualquer aparelho elétrico, as precauções básicas de segurança devem sempre ser observadas.

- **AVISO:** Risco de aprisionamento. Para evitar a possibilidade de uma criança ficar presa, tome as seguintes precauções antes de eliminar o refrigerador de vinho.
- Remova todas as portas da unidade.
- Deixe as prateleiras no lugar para que as crianças não possam subir facilmente.
- Nunca permita que as crianças usem, brinquem ou engatinhem dentro da adega.
- Este aparelho não foi projetado para ser usado por pessoas (incluindo crianças) com capacidades físicas, sensoriais ou mentais reduzidas, ou com falta de experiência e conhecimento, a menos que tenham recebido supervisão ou instruções sobre o uso do aparelho por uma pessoa responsável.
- Não utilize o aparelho se a ficha, o cabo de alimentação ou o próprio aparelho estiverem danificados. Se o cabo de alimentação estiver danificado, deve ser substituído pelo fabricante, um centro de serviço autorizado ou pessoas igualmente qualificadas para evitar acidentes.
- Refrigerantes: Todos os produtos de refrigeração contêm refrigerantes, que de acordo com as diretrizes da legislação devem ser descartados antes do descarte do produto. É responsabilidade do consumidor cumprir os regulamentos locais ao descartar este produto. Nunca limpe as partes do refrigerador de vinho com líquidos inflamáveis. Os vapores podem criar risco de incêndio ou explosão.
- Este aparelho foi projetado para uso doméstico interno e aplicações semelhantes, como: áreas de cozinha para funcionários em lojas, escritórios e outros ambientes de trabalho; alojamentos e clientes em hotéis, motéis e outros ambientes residenciais; ambientes do tipo pousada; catering e aplicações semelhantes.
- Esta unidade foi projetada para ser usada exclusivamente para armazenamento de vinho. Não armazene alimentos nesta unidade.
- Mantenha o aparelho e o cabo de alimentação fora do alcance das crianças.
- Se o cabo de alimentação estiver danificado, deve ser substituído pelo fabricante, seu agente de serviço ou um técnico qualificado para evitar riscos.
- Escolha um local para sua unidade longe de fontes de calor, como radiadores ou lareiras, pois o líquido refrigerante pode queimar.
- A unidade deve ser manobrada por no mínimo 2 pessoas.
- Este aparelho pode ser utilizado por crianças com 8 anos de idade ou mais e por pessoas com capacidades físicas, sensoriais ou mentais reduzidas ou com falta de experiência e conhecimento, se tiverem recebido supervisão ou instruções sobre como utilizar o aparelho com segurança e compreender os perigos envolvidos. As crianças não devem brincar com o aparelho. A limpeza e a manutenção do usuário não devem ser realizadas por crianças sem supervisão.

- Este aparelho não pode ser usado como um aparelho embutido.
- As crianças devem ser supervisionadas para garantir que não brinquem com a unidade.
- Se a sua unidade estiver equipada com uma fechadura para evitar que crianças fiquem presas dentro dela, mantenha a chave fora do alcance e não perto da unidade.
- Não armazene substâncias explosivas como latas de aerossol com um propelente inflamável neste aparelho.

CARACTERÍSTICAS DO PRODUTO

Painel de controle

- O painel de controle encontra-se no interior do aparelho, é muito fácil regular a temperatura do aparelho e ver a que temperatura está regulada.

Luz Interior

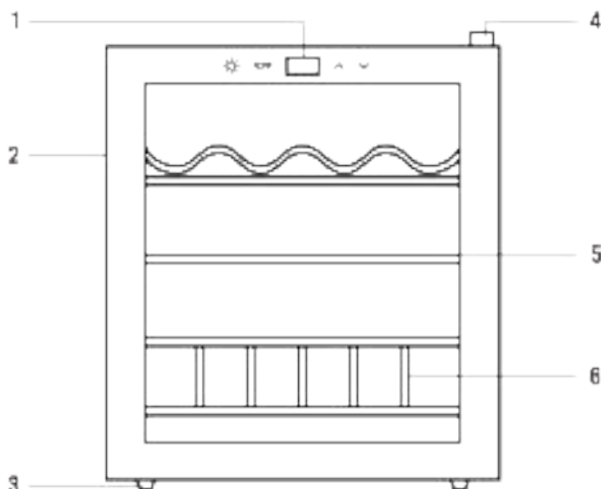
- A garrafeira tem luz interior. A luz pode ser ligada e desligada usando o botão de controle de luz.

Estante

- As prateleiras são totalmente ajustáveis para acomodar várias formas e tamanhos de garrafas de vinho.
- Para evitar danos à junta da porta, certifique-se de que a porta esteja totalmente aberta ao remover as prateleiras do compartimento do trilho.
- Para facilitar o acesso aos frascos armazenados, retire as prateleiras aproximadamente 1/3. As prateleiras são projetadas com uma parada de emergência para evitar que sejam puxadas muito para fora quando carregadas.

LISTA DE PEÇAS

1. Painel de controle eletrônico e display
2. Maçaneta
3. Pernas ajustáveis
4. Tampa da dobradiça
5. Prateleira de madeira
6. Barra protetora para garrafas de vinho



INSTRUÇÕES DE MONTAGEM

Antes de usar seu cava de vinho:

- Remova a embalagem externa e interna.
- Antes de conectar o refrigerador de vinho à fonte de alimentação, deixe-o na posição vertical por aproximadamente 4 horas. Isso reduzirá a possibilidade de mau funcionamento do sistema de resfriamento devido ao manuseio inadequado durante o transporte. Limpe a superfície interna com água morna e um pano macio.

Instale sua cava de vinho:

- Este armário para vinhos é projetado para ser independente e não deve ser embutido.
- Deixe 5 cm de espaço entre a parte de trás e as laterais do cava de vinho, permitindo a ventilação adequada do ar. Ajuste as pernas para manter o nível do vinho na posição mais adequada. Posicione o armário do vinho longe da luz solar direta e de fontes de calor (fogão, fogão, radiador, etc.). A luz solar direta pode afetar o revestimento de acrílico e as fontes de calor podem aumentar o consumo de energia. A temperatura ambiente abaixo de 5 °C ou acima de 32 °C prejudicará o desempenho deste aparelho.

AVISO: Esta unidade não foi projetada para uso em uma garagem ou qualquer outra instalação externa.

- Evite colocar a adega em áreas úmidas.
- Conecte o gabinete do vinho a uma tomada de parede devidamente instalada e aterrada. Sob nenhuma circunstância corte ou remova o terceiro fio de alimentação (aterramento). Quaisquer dúvidas relacionadas à energia ou aterramento devem ser direcionadas a um electricista certificado ou a um centro de serviço autorizado.

AVISO: Esta unidade não foi projetada para ser instalada em uma caravana ou usada com um conversor.

- Depois de conectar o refrigerador de vinho a uma tomada, ligue a unidade e deixe-a esfriar por 3 a 4 horas antes de colocar garrafas de vinho ou bebidas no aparelho.

AVISO: Mantenha as aberturas no exterior do aparelho desobstruídas.

CONEXÃO ELÉTRICA

AVISO: O uso inadequado do plugue de aterramento pode resultar em risco de choque elétrico. Se o cabo de alimentação estiver danificado, leve-o para um centro de serviço autorizado.

- Esta adega deve estar devidamente aterrada para sua segurança. O cabo de alimentação é equipado com um plugue de três pinos que se encaixa em tomadas de parede padrão de três pinos para minimizar a possibilidade de choque elétrico.
- Este refrigerador de vinho não foi projetado para ser usado com um inversor.
- O cabo deve ser preso atrás do aparelho e não deve ser deixado exposto ou pendurado para evitar ferimentos acidentais.
- Nunca desligue o refrigerador de vinho puxando o cabo de alimentação. Sempre segure o plugue com firmeza e puxe-o para fora do receptáculo.
- Não use um cabo de extensão com este aparelho. Se o cabo de alimentação for muito curto, peça a um electricista qualificado ou técnico de serviço para instalar uma tomada perto do aparelho. O uso de um cabo de extensão pode afetar adversamente o desempenho da unidade.
- Não use aparelhos elétricos dentro dos compartimentos de armazenamento de alimentos do aparelho, a menos que sejam do tipo recomendado pelo fabricante.
- Não armazene substâncias explosivas como latas de aerossol com um propelente inflamável neste aparelho.



AVISO: Perigo de incêndio / materiais inflamáveis.

USO DA CAVA DE VINHO

PAINEL DE CONTROLE



O painel de controle está localizado na parte superior da porta.

BOTÃO DE LUZ

Para ligar ou desligar a luz interior.

BOTÃO PARA AUMENTAR A TEMPERATURA

Para aumentar a temperatura em 1 °C ou 1 °F de cada vez.

BOTÃO PARA BAIXAR A TEMPERATURA

Para diminuir a temperatura em 1 °C ou 1 °F de cada vez.

SELECIONE °F / °C

Selecione a configuração de exibição de temperatura em graus Fahrenheit ou Celsius. Para alterar a temperatura de Fahrenheit para Celsius ou de Celsius para Fahrenheit, toque e segure o botão de luz por 5 segundos.

SELECIONE A TEMPERATURA

Sua adega possui apenas um compartimento. A temperatura pode ser escolhida entre 4 °C e 18 °C (39 - 65 °F). Recomenda-se definir a temperatura na faixa de 12 °C a 18 °C (55 - 64 °F), que é ideal para armazenar vinhos tintos e definir entre 4 °C e 12 °C (39 - 55 °F) adequado para champanhe e vinhos brancos.

PRATELEIRAS CAVA DE VINHO

As prateleiras são totalmente ajustáveis para acomodar diferentes formas e tamanhos de garrafas de vinho.

Para evitar danos à junta da porta, certifique-se de que a porta esteja totalmente aberta ao remover as prateleiras do compartimento do trilho.

As prateleiras já estão configuradas no modo de fábrica, resultando no uso mais eficiente de energia para aparelhos de refrigeração.

COMO USAR A CAVA DE VINHO

Antes de ligar:

- Certifique-se de que foi instalado por uma pessoa devidamente qualificada, de acordo com as informações contidas nas instruções de instalação.
- Após a entrega, espere quatro horas antes de ligar o aparelho à corrente. Isso permitirá que os gases refrigerantes que podem ter sido alterados durante o processo de transporte se assentem.
- O exterior do aparelho e os acessórios removíveis nele contidos devem ser limpos com uma solução de detergente líquido e água.
- O interior do aparelho deve ser limpo com uma solução de bicarbonato de sódio dissolvido em água morna.
- O interior e os acessórios devem estar completamente secos após a conclusão do processo de limpeza.

- Um odor peculiar pode ser exalado quando o aparelho é ligado pela primeira vez. Ele diminuirá conforme o aparelho começa a esfriar.
- **Durante o primeiro uso:**
- **IMPORTANTE:** Quando utiliza o refrigerador de vinho pela primeira vez ou reinicia o aparelho depois de ter ficado muito tempo desligado, pode haver uma variação de alguns graus entre a temperatura que seleccionou e a indicada no visor LED. Isso é normal e se deve à duração do tempo de ativação. Depois de algumas horas de funcionamento da adega, tudo voltará ao normal.
- Quando liga o aparelho pela primeira vez, o compressor funciona continuamente até que a adega atinja uma temperatura suficientemente fria.
- Durante este período de tempo, deve tentar não abrir a porta com frequência ou colocar garrafas dentro do aparelho.
- Se a unidade estiver desligada ou desconectada, você deve esperar pelo menos 5 minutos antes de reiniciar o aparelho.

Carregue a adega:

- **IMPORTANTE:** O seu aparelho é ideal para armazenar garrafas de vinho estilo Bordeaux de 0,75 litros. Embora seja possível armazenar garrafas maiores, você precisa se certificar de que elas não impeçam a porta de fechar corretamente.
- Certifique-se sempre de que consegue fechar a porta sem bater nas garrafas de vinho.
- Quando você carrega várias garrafas de vinho ao mesmo tempo, o aparelho leva mais tempo para esfriar as garrafas individuais.
- Como muitas garrafas podem diferir em tamanho e dimensões, o número real de garrafas que podem ser para estoque pode variar.
- O número máximo de armazenamento é baseado em garrafas de vinho padrão de 0,75 litros.

Armazenamento do vinho:

- A tabela abaixo indica as temperaturas de armazenamento ideais para diferentes tipos de vinho:

Tipo de vinho	Temperatura (Celsius)	Temperatura (Fahrenheit)
Vinho tinto	12 - 18 °C	56 - 64 °F
Vinho branco	5 - 12 °C	48 - 79 °F
Vinhos espumantes / Cava	4 - 8 °C	39 - 47 °F

Observação: Se a temperatura estiver muito alta, o vinho pode estragar. Se estiver muito baixo, pode resultar em alto consumo de eletricidade.

- A estabilidade da temperatura é o fator mais importante quando se trata de armazenar vinho.
- A exposição à luz, vibrações ou flutuações de temperatura e umidade podem causar estragos no vinho. Quando armazenados adequadamente, os vinhos não apenas mantêm sua qualidade, mas muitos melhoram em aroma, sabor e complexidade à medida que amadurecem.
- Os vinhos que são mantidos a uma temperatura mais elevada envelhecem mais rapidamente. O vinho exposto a temperaturas acima de 18 °C (64 °F) sofrerá de pior sabor e aroma.
- Se o vinho for mantido a uma temperatura muito baixa, isso pode levar ao desenvolvimento de depósitos prejudiciais. Uma umidade de 60% - 70% é ideal para evitar o encolhimento das rolhas.
- Depois de abrir uma garrafa de vinho, o vinho entra em contato com o ar. Portanto, é melhor guardar o resto da garrafa em posição vertical, para minimizar a área da superfície do vinho que entra em contato com o ar.
- Depois de aberto, o vinho mantém-se em ótimo estado durante dois dias para brancos delicados ou três dias para tintos encorpados, desde que a garrafa seja novamente fechada. Você precisa se certificar de que a vedação está apertada, verificando o plugue.

- Rolhas especiais que mantêm o espumante e o champanhe espumante por um ou dois dias após a abertura podem ser adquiridas na maioria das boas lojas de vinhos.
- Quando armazenados de forma adequada, os vinhos brancos podem durar até dois anos. Os tintos encorpados envelhecem bem por dez anos e os vinhos de sobremesa podem envelhecer bem por até vinte anos.
- Quando você compra uma garrafa de vinho, deve transferi-la imediatamente para um local adequado de armazenamento (se não for armazená-la na adega).
- Garrafas de vinho mais baratas não envelhecem tão bem quanto as mais caras.
- Para obter o máximo do aroma e sabor do seu vinho, nunca encha mais do que meio copo de cada vez. Também ajudará se a forma da sua taça de vinho for apropriada para o seu vinho. O tamanho e a forma da sua taça de vinho determinarão a intensidade e a complexidade. A haste deve ser longa o suficiente para evitar o contato da mão com o vaso e deve ser em forma de tulipa ou afilada na parte superior.

LIMPEZA E MANUTENÇÃO

- Após a instalação do seu novo aparelho, é recomendável limpá-lo completamente.
- Desligue o refrigerador de vinho primeiro e, em seguida, desconecte a unidade da tomada elétrica.
- Exclua todo o conteúdo.
- Lave o interior com um pano quente e úmido embebido em água morna e uma solução de bicarbonato de sódio.
- A solução deve ser cerca de 2 colheres de sopa de bicarbonato de sódio para cada litro de água.
- Certifique-se de manter a junta da porta (vedação) limpa para que a unidade funcione com eficiência.
- O exterior da adega deve ser limpo com detergente neutro e água morna.
- Seque o interior e o exterior com um pano macio.
- Poeira ou qualquer outra coisa que bloqueie a ventilação pode prejudicar a eficiência de refrigeração do aparelho.
- Desligue o refrigerador de vinho primeiro e, em seguida, desconecte a unidade da tomada quando não for ser usada por um longo período de tempo.
- Exclua todo o conteúdo.
- Limpe o aparelho.
- Deixe a porta ligeiramente aberta para evitar a possível formação de condensação, mofo ou odores.
- Férias curtas: Deixe a adega em funcionamento durante as férias com menos de três semanas.
- Longas férias: Se o refrigerador de vinho não for usado por vários meses, remova todo o conteúdo e desconecte o cabo de alimentação. Limpe e seque bem o interior. Para evitar o aparecimento de odores e bolor, deixe a porta ligeiramente aberta - tranque-a se necessário.
- Movendo seu aparelho: Desligue o refrigerador de vinho primeiro e, em seguida, desconecte a unidade da tomada elétrica.
- Exclua todo o conteúdo.
- Cole todos os itens soltos dentro do seu aparelho.
- Cubra as portas fechadas.
- **Dicas para economizar energia:**
- A cava de vinho deve estar localizada na área mais fresca da sala, longe de aparelhos que produzam calor ou dutos de aquecimento, e longe da luz solar direta.
- Certifique-se de que a porta esteja bem fechada quando o refrigerador de vinho estiver ligado.

Substitua a lâmpada:

- A lâmpada é uma lâmpada LED de longa duração e com baixo consumo de energia. Portanto, não deve ser necessário substituí-lo durante a vida útil do produto. No entanto, se for necessário, deve ser substituído por pessoal qualificado. O símbolo a seguir indica que a fonte de luz neste aparelho só deve ser substituída por um técnico qualificado:



RESOLUÇÃO DE PROBLEMAS

PROBLEMA	POSSÍVEIS CAUSAS E SOLUÇÕES
A adega não funciona.	Ela não está conectada. O disjuntor desarmou ou o fusível está danificado. O controle de temperatura está ajustado para muito quente. Mude para uma configuração mais fria e espere várias horas até que a temperatura se estabilize.
A temperatura interna está muito alta.	A porta é mantida aberta por muito tempo ou é aberta com muita frequência. O ar quente entra no refrigerador de vinho sempre que a porta é aberta. Abra a porta com menos frequência. A porta não está completamente fechada. A junta da porta não está vedando corretamente. A adega está desligada há algum tempo. O refrigerador de vinho leva 4 horas para esfriar completamente.
A temperatura interna está muito baixa.	O controle de temperatura está ajustado para muito frio. Mude para uma configuração mais quente e aguarde várias horas até que a temperatura se estabilize. Certifique-se de que o refrigerador de vinho está em uma superfície nivelada. A adega toca a parede. Nivela-o novamente e afaste-o da parede.
Vibrações	Se ocorrer vibração contínua, desligue o refrigerador de vinho e desconecte o plugue de alimentação. Entre em contato com o Departamento de Atendimento ao Cliente para obter mais assistência.
Há condensação nas paredes internas da adega.	A porta é mantida aberta por muito tempo ou é aberta com muita frequência. Abra a porta com menos frequência. A porta não está devidamente selada.
Há condensação nas paredes externas da adega.	Certifique-se de que o refrigerador de vinho está em uma superfície nivelada.
A porta não fecha corretamente.	O refrigerador de vinho não está em uma superfície nivelada. A placa está sujeita.

Em conformidade com as diretivas 2012/19 / UE e 2015/863 / UE sobre a restrição do uso de substâncias perigosas em equipamentos elétricos e eletrônicos, bem como a eliminação de resíduos. O símbolo com o símbolo de lixo cruzado mostrado na embalagem indica que o produto ao final de sua vida útil será coletado como lixo separado. Portanto, qualquer produto que tenha atingido o fim de sua vida útil deve ser entregue a centros especializados de eliminação de resíduos para coleta seletiva de equipamentos elétricos e eletrônicos, ou devolvido ao varejista ao comprar qualquer outro produto semelhante, em um país da UE. A coleta seletiva é apropriada para o correto tratamento subsequente do equipamento enviado para reciclagem, tratamento e descarte de maneira ecológica ajuda a evitar possíveis efeitos negativos no meio ambiente e na saúde e otimiza a reciclagem e reutilização de os componentes que compõem o dispositivo. A eliminação abusiva do produto pelo usuário impede a aplicação de sanções administrativas de acordo com as leis.



FRANÇAIS

Merci d'avoir choisi notre cave à vin. Avant d'utiliser cet appareil et pour garantir son utilisation optimale, veuillez lire attentivement les instructions.

Les mesures de sécurité énumérées ici réduisent le risque d'incendie, de choc électrique et de blessure lorsqu'elles sont correctement suivies. Conservez le manuel dans un endroit sûr pour référence future, ainsi que la garantie, le reçu de vente et la boîte. Le cas échéant, transmettez ces instructions au futur propriétaire de l'appareil. Suivez toujours les consignes de sécurité de base et les mesures de prévention des risques lors de l'utilisation d'un appareil électrique. Le fabricant ne sera pas responsable des dommages résultant du non-respect de ces instructions par l'utilisateur.

CONSIGNES DE SÉCURITÉ

Lors de l'utilisation de tout appareil électrique, des précautions de sécurité de base doivent toujours être observées.

- **ATTENTION:** Risque de piégeage. Pour éviter qu'un enfant ne soit coincé, prenez les précautions suivantes avant de jeter le refroidisseur à vin.
- Retirez toutes les portes de l'unité.
- Laissez les étagères en place pour que les enfants ne puissent pas grimper facilement.
- Ne laissez jamais les enfants utiliser, jouer ou ramper à l'intérieur de la cave à vin.
- Cet appareil n'est pas conçu pour être utilisé par des personnes (y compris des enfants) ayant des capacités physiques, sensorielles ou mentales réduites, ou un manque d'expérience et de connaissances, à moins qu'elles n'aient reçu la supervision ou les instructions d'utilisation de l'appareil par une personne responsable.
- N'utilisez pas l'appareil si la fiche, le cordon d'alimentation ou l'appareil lui-même sont endommagés. Si le cordon d'alimentation est endommagé, il doit être remplacé par le fabricant, un centre de service agréé ou des personnes de qualification similaire pour éviter tout danger.
- Réfrigérants : Tous les produits de réfrigération contiennent des réfrigérants qui, conformément aux directives de la loi, doivent être éliminés avant d'éliminer le produit. Il est de la responsabilité du consommateur de se conformer aux réglementations locales lors de l'élimination de ce produit. Ne nettoyez jamais les pièces du refroidisseur à vin avec des liquides inflammables. Les vapeurs peuvent créer un risque d'incendie ou d'explosion.
- Cet appareil est conçu pour un usage domestique intérieur et des applications similaires, telles que : les cuisines du personnel dans les magasins, les bureaux et autres environnements de travail ; loges et clients dans les hôtels, motels et autres établissements résidentiels ; environnements de type chambres d'hôtes; restauration et applications similaires.
- Cette unité est conçue pour être utilisée exclusivement pour le stockage du vin. Ne stockez pas d'aliments dans cet appareil.
- Conservez l'appareil et son cordon d'alimentation hors de portée des enfants.
- Si le cordon d'alimentation est endommagé, il doit être remplacé par le fabricant, son agent de service ou un technicien qualifié pour éviter tout danger.
- Choisissez un emplacement pour votre appareil loin des sources de chaleur, telles que les radiateurs ou les cheminées, car le liquide de refroidissement peut brûler.
- L'unité doit être manœuvrée par un minimum de 2 personnes.
- Cet appareil peut être utilisé par des enfants de 8 ans et plus et des personnes ayant des capacités physiques, sensorielles ou mentales réduites ou un manque d'expérience et de connaissances s'ils ont reçu une supervision ou des instructions sur la

façon d'utiliser l'appareil en toute sécurité et de comprendre les dangers encourus. Les enfants ne doivent pas jouer avec l'appareil. Le nettoyage et la maintenance par l'utilisateur ne doivent pas être effectués par des enfants sans surveillance.

- Cet appareil ne peut pas être utilisé comme appareil encastrable.
- Les enfants doivent être surveillés pour s'assurer qu'ils ne jouent pas avec l'appareil.
- Si votre appareil est équipé d'un verrou pour empêcher les enfants d'être piégés à l'intérieur, gardez la clé hors de portée et pas à proximité de l'appareil.
- Ne stockez pas de substances explosives telles que des bombes aérosol contenant un propulseur inflammable dans cet appareil.

CARACTÉRISTIQUES DU PRODUIT

Panneau de commande

- Le panneau de commande est situé à l'intérieur de l'appareil, il est très facile de régler la température de l'appareil et de voir à quelle température il est réglé.

Lumière intérieure

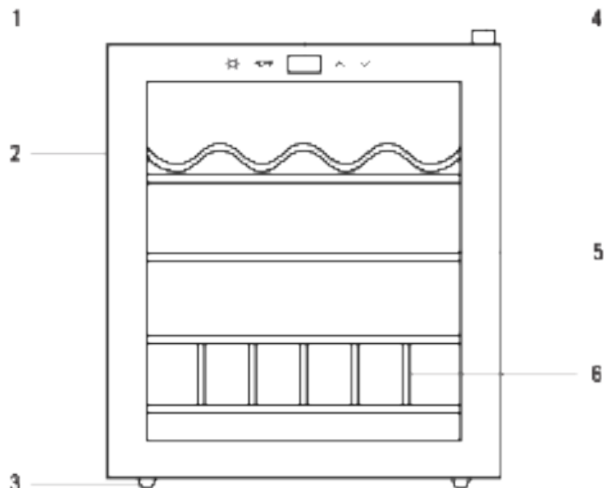
- La cave à vin dispose d'un éclairage intérieur. La lumière peut être allumée et éteinte à l'aide du bouton de commande de la lumière.

Rayonnage

- Les étagères sont entièrement réglables pour s'adapter à différentes formes et tailles de bouteilles de vin.
- Pour éviter d'endommager le joint de la porte, assurez-vous que la porte est complètement ouverte lorsque vous retirez les étagères du compartiment à rails.
- Pour un accès facile aux bouteilles stockées, retirez les étagères d'environ 1/3. Les étagères sont conçues avec un arrêt d'urgence pour éviter qu'elles ne soient trop tirées lorsqu'elles sont chargées.

LISTE DES PIÈCES

1. Panneau de commande électronique et affichage
2. Poignée de porte
3. Jambes réglables
4. Couvercle de charnière
5. Étagère en bois
6. Barre de protection pour bouteilles de vin



INSTRUCTIONS DE MONTAGE

Avant d'utiliser votre cave à vin :

- Retirez l'emballage extérieur et intérieur.
- Avant de brancher le refroidisseur à vin à la source d'alimentation, laissez-le en position verticale pendant environ 4 heures. Cela réduira la possibilité d'un dysfonctionnement du système de refroidissement en raison d'une mauvaise manipulation pendant le transport. Nettoyez la surface intérieure à l'eau tiède avec un chiffon doux.

Installez votre cave à vin :

- Cette cave à vin est conçue pour être autoportante et ne doit pas être encastrée.
- Laissez 2 pouces d'espace entre l'arrière et les côtés de la cave à vin, permettant une ventilation adéquate. Ajustez les pieds pour maintenir le niveau de vin dans la position la plus appropriée. Placez la cave à vin à l'abri de la lumière directe du soleil et des sources de chaleur (poêle, plaque de cuisson, radiateur, etc.). La lumière directe du soleil peut affecter la revêtement acrylique et les sources de chaleur peuvent augmenter la consommation d'énergie. Une température ambiante inférieure à 5 °C ou supérieure à 32 °C nuira aux performances de cet appareil.

ATTENTION: Cet appareil n'est pas conçu pour être utilisé dans un garage ou toute autre installation externe.

- Évitez de placer la cave à vin dans des endroits humides.
- Branchez la cave à vin sur une prise murale correctement installée et mise à la terre. Ne coupez ou ne retirez en aucun cas le troisième fil d'alimentation (masse). Toute question concernant l'alimentation ou la mise à la terre doit être adressée à un électricien certifié ou à un centre de service agréé.

ATTENTION: Cet appareil n'est pas conçu pour être installé dans une caravane ou utilisé avec un convertisseur.

- Après avoir branché le refroidisseur à vin dans une prise murale, allumez l'appareil et laissez-le refroidir pendant 3 à 4 heures avant de placer des bouteilles de vin ou de boissons dans l'appareil.

ATTENTION: Gardez les événements à l'extérieur de l'appareil exempts d'obstructions.

BRANCHEMENT ÉLECTRIQUE

ATTENTION: Une mauvaise utilisation de la prise de terre peut entraîner un risque de choc électrique. Si le cordon d'alimentation est endommagé, faites-le remplacer par un centre de service agréé.

- Cette cave à vin doit être correctement mise à la terre pour votre sécurité. Le cordon d'alimentation est équipé d'une fiche à trois broches qui s'insère dans les prises murales standard à trois broches pour minimiser la possibilité de choc électrique.
- Ce refroidisseur à vin n'est pas conçu pour être utilisé avec un onduleur.
- Le cordon doit être fixé derrière l'appareil et ne doit pas être laissé exposé ou suspendu pour éviter les blessures accidentelles.
- Ne débranchez jamais la cave à vin en tirant sur le cordon d'alimentation. Tenez toujours fermement la fiche et retirez-la de la prise.
- N'utilisez pas de rallonge avec cet appareil. Si le cordon d'alimentation est trop court, demandez à un électricien qualifié ou à un technicien d'entretien d'installer une prise à proximité de l'appareil. L'utilisation d'une rallonge peut nuire aux performances de l'appareil.
- N'utilisez pas d'appareils électriques à l'intérieur des compartiments de stockage des aliments de l'appareil, sauf s'ils sont du type recommandé par le fabricant.
- Ne stockez pas de substances explosives telles que des bombes aérosol contenant un propulseur inflammable dans cet appareil.



ATTENTION: Risque d'incendie / matières inflammables.

UTILISATION DE LA CAVE À VIN

PANNEAU DE COMMANDE



Le panneau de commande est situé sur le dessus de la porte.

BOUTON LUMIÈRE

Pour allumer ou éteindre l'éclairage intérieur.

BOUTON D'AUGMENTATION DE LA TEMPÉRATURE

Pour augmenter la température de 1°C ou 1°F à la fois.

BOUTON POUR BAISSER LA TEMPÉRATURE

Pour baisser la température de 1°C ou 1°F à la fois.

SÉLECTIONNER °F / °C

Sélectionnez le réglage d'affichage de la température en degrés Fahrenheit ou Celsius. Pour changer la température de Fahrenheit à Celsius ou de Celsius à Fahrenheit, appuyez et maintenez enfoncé le bouton d'éclairage pendant 5 secondes.

SÉLECTIONNER LA TEMPÉRATURE

Votre cave à vin n'a qu'un seul compartiment. La température peut être choisie entre 4 °C et 18 °C (39 - 65 °F). Il est recommandé de régler la température dans la plage de 12 °C à 18 °C (55 - 64 °F), ce qui est idéal pour la conservation des vins rouges et le réglage entre 4 °C et 12°C (39 - 55 °F) convient au champagne et aux vins blancs.

ÉTAGÈRES CAVE À VIN

Les étagères sont entièrement réglables pour s'adapter à différentes formes et tailles de bouteilles de vin.

Pour éviter d'endommager le joint de la porte, assurez-vous que la porte est complètement ouverte lorsque vous retirez les étagères du compartiment à rails.

Les étagères sont déjà réglées en mode usine, ce qui permet d'utiliser l'énergie la plus efficace possible pour les appareils de réfrigération.

COMMENT UTILISER LA CAVE À VIN

Avant d'allumer :

- Assurez-vous qu'il a été installé par une personne qualifiée, conformément aux informations contenues dans les instructions d'installation.
- Après la livraison, attendez quatre heures avant de brancher l'appareil sur le secteur. Cela permettra aux gaz réfrigérants qui peuvent avoir été altérés pendant le processus de transport de se déposer.
- L'extérieur de l'appareil et les accessoires amovibles qu'il contient doivent être nettoyés avec une solution de détergent liquide et d'eau.
- L'intérieur de l'appareil doit être nettoyé avec une solution de bicarbonate de sodium dissoute dans de l'eau tiède.
- L'intérieur et les accessoires doivent être complètement secs une fois le processus de nettoyage terminé.

- Une odeur particulière peut se dégager lors de la première mise en marche de l'appareil. Il diminuera au fur et à mesure que l'appareil commencera à refroidir.
- **Lors de la première utilisation :**
- **IMPORTANT:** Lorsque vous utilisez la cave à vin pour la première fois ou que vous redémarrez l'appareil après avoir été éteint pendant une longue période, il peut y avoir une variation de quelques degrés entre la température que vous sélectionnez et celle indiquée sur l'affichage LED. Ceci est normal et est dû à la longueur du temps d'activation. Après quelques heures de fonctionnement de la cave à vin, tout redeviendra normal.
- Lorsque vous allumez l'appareil pour la première fois, le compresseur fonctionnera en continu jusqu'à ce que la cave à vin atteigne une température suffisamment fraîche.
- Pendant cette période, vous devez essayer de ne pas ouvrir la porte fréquemment ou de ne pas mettre de bouteilles à l'intérieur de l'appareil.
- Si l'appareil est éteint ou débranché, vous devez attendre au moins 5 minutes avant de redémarrer l'appareil.

Chargez la cave à vin :

- **IMPORTANT:** Votre appareil est idéal pour stocker des bouteilles de vin bordelaise de 0,75 litre. Bien que vous puissiez stocker des bouteilles plus grandes, vous devez vous assurer qu'elles n'empêchent pas la porte de se fermer correctement.
- Vérifiez toujours que vous pouvez fermer la porte sans heurter les bouteilles de vin.
- Lorsque vous chargez plusieurs bouteilles de vin en même temps, l'appareil mettra plus de temps à refroidir les différentes bouteilles.
- Comme de nombreuses bouteilles peuvent différer en taille et en dimensions, le nombre réel de bouteilles pouvant être stocker peut varier.
- Le nombre maximum de stockage est basé sur des bouteilles de vin standard de 0,75 litre.

Conservation du vin :

- Le tableau ci-dessous indique les températures de conservation idéales pour différents types de vins :

Type de vin	Température (Celsius)	Température (Fahrenheit)
Vin rouge	12 - 18 °C	58 - 64 °F
Vin blanc	5 - 12 °C	48 - 79 °F
Vins effervescents / Caves	4 - 8 °C	39 - 47 °F

Noter: Si la température est trop élevée, le vin peut se gâter. S'il est réglé trop bas, cela peut entraîner une consommation électrique élevée.

- La stabilité de la température est le facteur le plus important lorsqu'il s'agit de conserver le vin.
- L'exposition à la lumière, aux vibrations ou aux fluctuations de température et d'humidité peut entraîner la détérioration du vin. Lorsqu'ils sont conservés correctement, les vins conservent non seulement leur qualité, mais beaucoup s'améliorent en arôme, en saveur et en complexité à mesure qu'ils mûrissent.
- Les vins conservés à une température plus élevée vieilliront plus rapidement. Le vin qui est exposé à des températures supérieures à 18 °C (64 °F) souffrira d'une saveur et d'un arôme moins bons.
- Si le vin est maintenu à une température trop basse, cela peut entraîner le développement de dépôts nocifs. Une humidité de 60% - 70% est idéale pour empêcher les bouchons de rétrécir.
- Après ouverture d'une bouteille de vin, le vin entre en contact avec l'air. Par conséquent, il est préférable de stocker le reste de la bouteille en position verticale, afin de minimiser la surface du vin qui entre en contact avec l'air.

- Une fois ouvert, le vin restera dans des conditions optimales pendant deux jours pour les blancs délicats ou trois jours pour les rouges corsés, à condition que la bouteille ait été refermée. Vous devez vous assurer que le joint est étanche en vérifiant le bouchon.
- Des bouchons spéciaux qui gardent le vin mousseux et le champagne pétillant pendant un jour ou deux après l'ouverture peuvent être achetés dans la plupart des bons magasins de vin.
- Bien conservés, les vins blancs peuvent se conserver jusqu'à deux ans. Les rouges corsés vieilliront bien jusqu'à dix ans et les vins de désert jusqu'à vingt ans.
- Lorsque vous achetez une bouteille de vin, vous devez la transférer immédiatement dans un lieu de stockage approprié (si vous n'allez pas la stocker dans votre cave à vin).
- Les bouteilles de vin moins chères ne vieilliront pas aussi bien que les plus chères.
- Pour tirer le meilleur parti de l'arôme et de la saveur de votre vin, ne remplissez jamais plus d'un demi-verre à la fois. Cela aidera également si la forme de votre verre à vin est adaptée à votre vin. La taille et la forme de votre verre à vin détermineront l'intensité et la complexité. La tige doit être suffisamment longue pour éviter tout contact des mains avec le vase et doit être en forme de tulipe ou effilée au sommet.

NETTOYAGE ET ENTRETIEN

- Après l'installation de votre nouvel appareil, il est recommandé de le nettoyer soigneusement.
- Éteignez d'abord le refroidisseur à vin, puis débranchez l'appareil de la prise électrique.
- Supprimer tout le contenu.
- Lavez l'intérieur avec un chiffon chaud et humide imbibé d'eau tiède et d'une solution de bicarbonate de soude.
- La solution devrait être d'environ 2 cuillères à soupe de bicarbonate de soude pour chaque litre d'eau.
- Assurez-vous de garder le joint d'étanchéité de la porte propre pour que l'unité fonctionne efficacement.
- L'extérieur de la cave à vin doit être nettoyé avec un détergent doux et de l'eau tiède.
- Séchez l'intérieur et l'extérieur avec un chiffon doux.
- La poussière ou tout autre élément bloquant la ventilation peut nuire à l'efficacité de refroidissement de l'appareil.
- Éteignez d'abord le refroidisseur à vin, puis débranchez l'appareil de la prise lorsqu'il ne doit pas être utilisé pendant une longue période.
- Supprimer tout le contenu.
- Nettoyez l'appareil.
- Laissez la porte légèrement ouverte pour éviter la formation possible de condensation, de moisissure ou d'odeurs.
- Courtes vacances : Laissez la cave à vin en activité pendant les vacances de moins de trois semaines.
- Longues vacances : Si le refroidisseur à vin ne doit pas être utilisé pendant plusieurs mois, retirez tout le contenu et débranchez le cordon d'alimentation. Nettoyez et séchez soigneusement l'intérieur. Pour éviter la formation d'odeurs et de moisissures, laissez la porte légèrement ouverte - verrouillez-la si nécessaire.
- Déménagement de votre appareil : Éteignez d'abord le refroidisseur à vin, puis débranchez l'appareil de la prise électrique.
- Supprimer tout le contenu.
- Collez tous les objets en vrac à l'intérieur de votre appareil.
- Couvrir les portes fermées.
- **Conseils pour économiser de l'énergie :**
- La cave à vin doit être située dans la zone la plus fraîche de la pièce, à l'écart des appareils produisant de la chaleur ou des conduits de chauffage, et à l'abri de la lumière directe du soleil.

- Assurez-vous que la porte est bien fermée lorsque le refroidisseur à vin est allumé.

Remplacer l'ampoule :

- La lumière est une ampoule LED longue durée et économe en énergie. Par conséquent, il ne devrait pas être nécessaire de le remplacer pendant la durée de vie du produit. Cependant, si cela est nécessaire, il doit être remplacé par du personnel qualifié. Le symbole suivant indique que la source lumineuse de cet appareil ne doit être remplacée que par un technicien qualifié :



RÉSOLUTION DES PROBLÈMES

PROBLÈME	CAUSE POSSIBLE ET SOLUTIONS
La cave à vin ne fonctionne pas.	<p>Cave n'est pas connectée.</p> <p>Le disjoncteur s'est déclenché ou le fusible est endommagé.</p> <p>Le contrôle de la température est réglé trop chaud. Changez-le pour un réglage plus froid et attendez plusieurs heures que la température se stabilise.</p> <p>La porte reste ouverte trop longtemps ou est ouverte trop souvent. L'air chaud pénètre dans le refroidisseur à vin chaque fois que la porte est ouverte. Ouvrez la porte moins souvent.</p> <p>La porte n'est pas complètement fermée.</p> <p>Le joint de la porte ne scelle pas correctement.</p> <p>La cave à vin a récemment été hors ligne pendant un certain temps. Il faut 4 heures pour que le refroidisseur à vin refroidisse complètement.</p>
La température intérieure est trop élevée.	<p>Le contrôle de la température est réglé trop froid. Changez-la pour un réglage plus chaud et attendez plusieurs heures que la température se stabilise.</p> <p>Assurez-vous que le refroidisseur à vin est sur une surface plane.</p> <p>La cave à vin touche le mur. Remettez-le à niveau et éloignez-le du mur.</p>
La température intérieure est trop basse.	<p>Si des vibrations continues se produisent, éloignez le refroidisseur à vin et débranchez la ligne d'alimentation.</p> <p>Contactez le service client pour obtenir de l'aide.</p>
Vibrations	<p>La porte est légèrement ouverte.</p> <p>La porte reste ouverte trop longtemps ou est ouverte trop souvent. Ouvrez la porte moins souvent.</p> <p>La porte n'est pas correctement scellée.</p>
Il y a de la condensation sur les parois intérieures de la cave à vin.	<p>Assurez-vous que le refroidisseur à vin est sur une surface plane.</p>
Il y a de la condensation sur les murs extérieurs de la cave à vin.	<p>Assurez-vous que le refroidisseur à vin n'est pas sur une surface plane. Le plateau est sale.</p>
La porte ne ferme pas correctement.	

Conformément aux directives 2012/19/UE et 2015/863/UE sur la limitation de l'utilisation de substances dangereuses dans les équipements électriques et électroniques, ainsi que leur élimination des déchets. Le symbole avec la poubelle croisée indiqué sur l'emballage indique que le produit à la fin de sa durée de vie sera collecté en tant que déchet séparé. Par conséquent, pour produire avant la fin de sa durée de vie doit être livré dans des centres d'élimination des déchets après usage pour la collecte sélective des déchets d'équipements électriques et électroniques, ou retourné au détaillant lors de l'achat de nouveaux équipements similaires, en un seul point de base. Une collecte séparée appropriée pour la mise en service ultérieure des équipements expédiés pour être recyclés, traités et éliminés d'une manière respectueuse de l'environnement aide à prévenir les effets négatifs potentiels sur l'environnement et la santé et optimiser le recyclage et la réutilisation des les composants qui composent l'appareil. L'élimination abusive du produit par l'utilisateur implique l'application de sanctions administratives conformément aux lois.



Grazie per aver scelto la nostra cantina. Prima di utilizzare questo apparecchio e per assicurargli il miglior utilizzo, leggere attentamente le istruzioni.

Le misure di sicurezza qui elencate riducono il rischio di incendi, scosse elettriche e lesioni se seguite correttamente. Conservare il manuale in un luogo sicuro per riferimento futuro, nonché la garanzia, la ricevuta di vendita e la scatola. Se applicabile, trasmettere queste istruzioni al futuro proprietario dell'apparecchio. Seguire sempre le istruzioni di sicurezza di base e le misure di prevenzione dei rischi quando si utilizza un apparecchio elettrico. Il produttore non sarà responsabile per eventuali danni derivanti dal mancato rispetto delle presenti istruzioni da parte dell'utente.

ISTRUZIONI DI SICUREZZA

Quando si utilizza qualsiasi apparecchio elettrico, è necessario osservare sempre le precauzioni di sicurezza di base.

- **AVVERTIMENTO:** Rischio di intrappolamento. Per evitare la possibilità che un bambino rimanga intrappolato, prendere le seguenti precauzioni prima di smaltire la cantinetta.
- Rimuovere tutte le porte dall'unità.
- Lasciare i ripiani in posizione in modo che i bambini non possano arrampicarsi facilmente.
- Non permettere mai ai bambini di usare, giocare o gattonare all'interno della cantina.
- Questo apparecchio non è progettato per l'uso da parte di persone (bambini compresi) con capacità fisiche, sensoriali o mentali ridotte o prive di esperienza e conoscenza, a meno che non abbiano ricevuto supervisione o istruzioni sull'uso dell'apparecchio da parte di una persona responsabile.
- Non utilizzare l'apparecchio se la spina, il cavo di alimentazione o l'apparecchio stesso sono danneggiati. Se il cavo di alimentazione è danneggiato, deve essere sostituito dal produttore, da un centro di assistenza autorizzato o da persone similmente qualificate per evitare pericoli.
- Refrigeranti: Tutti i prodotti di refrigerazione contengono refrigeranti, che secondo le linee guida di legge devono essere smaltiti prima dello smaltimento del prodotto. È responsabilità del consumatore rispettare le normative locali durante lo smaltimento di questo prodotto. Non pulire mai la parti della cantinetta con liquidi infiammabili. I fumi possono creare un pericolo di incendio o esplosione.
- Questo apparecchio è progettato per l'uso domestico in interni e applicazioni simili, come: aree cucina del personale in negozi, uffici e altri ambienti di lavoro; alberghi e clienti in hotel, motel e altri ambienti residenziali; ambienti tipo bed and breakfast; ristorazione e applicazioni simili.
- Questa unità è progettata per essere utilizzata esclusivamente per la conservazione del vino. Non conservare alimenti in questa unità.
- Tenere l'apparecchio e il suo cavo di alimentazione fuori dalla portata dei bambini.
- Se il cavo di alimentazione è danneggiato, deve essere sostituito dal produttore, dal suo agente di servizio o da un tecnico qualificato per evitare rischi.
- Scegli una posizione per la tua unità lontana da fonti di calore, come radiatori o caminetti, poiché il liquido di raffreddamento può bruciare.
- L'unità deve essere manovrata da un minimo di 2 persone.
- Questo apparecchio può essere utilizzato da bambini di età pari o superiore a 8 anni e da persone con ridotte capacità fisiche, sensoriali o mentali o prive di esperienza e conoscenza se sono state fornite loro supervisione o istruzioni su come utilizzare l'apparecchio in sicurezza e comprendere i pericoli coinvolti. I bambini non devono giocare con l'apparecchio. La pulizia e la manutenzione da parte dell'utente non devono essere eseguite da bambini senza supervisione.

- Questo apparecchio non può essere utilizzato come apparecchio da incasso.
- I bambini devono essere sorvegliati per assicurarsi che non giochino con l'unità.
- Se l'unità è dotata di un blocco per evitare che i bambini rimangano intrappolati all'interno, tenere la chiave fuori dalla portata e non vicino all'unità.
- Non conservare sostanze esplosive come bombolette spray con propellente infiammabile in questo apparecchio.

CARATTERISTICHE DEL PRODOTTO

Pannello di controllo

- Il pannello di controllo si trova all'interno dell'apparecchio, è molto facile impostare la temperatura dell'apparecchio e vedere a quale temperatura è impostato.

Luce interna

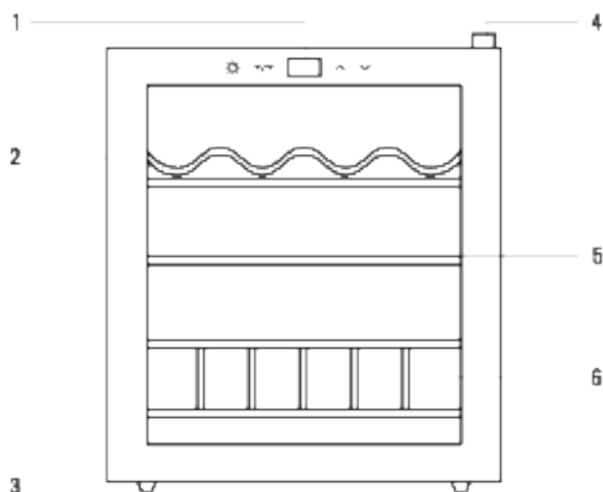
- La cantina ha una luce interna. La luce può essere accesa e spenta utilizzando il pulsante di controllo della luce.

Scaffalature

- I ripiani sono completamente regolabili per ospitare bottiglie di vino di varie forme e dimensioni.
- Per evitare di danneggiare la guarnizione della porta, assicurarsi che la porta sia completamente aperta durante la rimozione dei ripiani dal vano guida.
- Per un facile accesso alle bottiglie conservate, estrarre i ripiani di circa 1/3. I ripiani sono progettati con un arresto di emergenza per evitare che vengano estratti troppo quando vengono caricati.

ELENCO DELLE PARTI

1. Pannello di controllo elettronico e display
2. Maniglia
3. Gambe regolabili
4. Copertura cerniera
5. Mensola in legno
6. Barra protettiva per bottiglie di vino



Prima di utilizzare la cantinetta:

- Rimuovere l'imballaggio esterno e interno.
- Prima di collegare la cantinetta alla presa di corrente, lasciarla in posizione verticale per circa 4 ore. Ciò ridurrà la possibilità di un malfunzionamento del sistema di raffreddamento dovuto a una manipolazione impropria durante il trasporto. Pulisci la superficie interna con acqua tiepida con un panno morbido.

Installa la tua cantina:

- Questa cantinetta è progettata per essere indipendente e non deve essere incorporata.
- Lasciare 2 pollici di spazio tra la parte posteriore e i lati della cantinetta, consentendo un'adeguata ventilazione. Regolare le gambe per mantenere il livello del vino nella posizione più adatta. Posizionare la cantinetta al riparo dalla luce diretta del sole e da fonti di calore (stufa, piano cottura, radiatore, ecc.). La luce solare diretta può influenzare il rivestimento acrilico e le fonti di calore possono aumentare il consumo di energia. La temperatura ambiente inferiore a 5 °C o superiore a 32 °C ostacolerà le prestazioni di questo apparecchio.

AVVERTIMENTO: Questa unità non è progettata per l'uso in garage o qualsiasi altra installazione esterna.

- Evitare di posizionare la cantina in zone umide.
- Collegare la cantinetta a una presa a muro correttamente installata e dotata di messa a terra. In nessun caso tagliare o rimuovere il terzo cavo di alimentazione (terra). Qualsiasi domanda relativa all'alimentazione o alla messa a terra deve essere rivolta a un elettricista certificato o a un centro di assistenza autorizzato.

AVVERTIMENTO: Questa unità non è progettata per essere installata in un caravan o utilizzata con un convertitore.

- Dopo aver collegato la cantinetta a una presa a muro, accendere l'unità e lasciarla raffreddare per 3 o 4 ore prima di inserire bottiglie di vino o bevande nell'apparecchio.

AVVERTIMENTO: Mantenere le prese d'aria all'esterno dell'apparecchio libere da ostruzioni.

COLLEGAMENTO ELETTRICO

AVVERTIMENTO: L'uso improprio della spina di messa a terra può comportare il rischio di scosse elettriche. Se il cavo di alimentazione è danneggiato, farlo sostituire da un centro di assistenza autorizzato.

- Questa cantina deve essere adeguatamente messa a terra per la vostra sicurezza. Il cavo di alimentazione è dotato di una spina a tre poli che si inserisce nelle prese a muro standard a tre poli per ridurre al minimo la possibilità di scosse elettriche.
- Questa cantinetta non è progettata per essere utilizzata con un inverter.
- Il cavo deve essere fissato dietro l'apparecchio e non deve essere lasciato esposto o appeso per evitare lesioni accidentali.
- Non scollegare mai la cantinetta tirando il cavo di alimentazione. Afferrare sempre saldamente la spina ed estrarla dalla presa.
- Non utilizzare una prolunga con questo apparecchio. Se il cavo di alimentazione è troppo corto, far installare una presa vicino all'apparecchio da un elettricista qualificato o da un tecnico dell'assistenza. L'uso di una prolunga può influire negativamente sulle prestazioni dell'unità.
- Non utilizzare apparecchi elettrici all'interno dei vani di conservazione degli alimenti dell'apparecchio, a meno che non siano del tipo consigliato dal produttore.
- Non conservare sostanze esplosive come bombolette spray con propellente infiammabile in questo apparecchio.



AVVERTIMENTO: Pericolo di incendio/materiali infiammabili.

UTILIZZO DELLA CAVE À VIN

PANNELLO DI CONTROLLO



Il pannello di controllo si trova sulla parte superiore della porta.

PULSANTE LUCE

Per accendere o spegnere la luce interna.

PULSANTE PER AUMENTARE LA TEMPERATURA

Per aumentare la temperatura di 1 °C o 1 °F alla volta.

PULSANTE PER ABBASSARE LA TEMPERATURA

Per abbassare la temperatura di 1 °C o 1 °F alla volta.

SELEZIONA °F / °C

Selezionare l'impostazione di visualizzazione della temperatura in gradi Fahrenheit o Celsius. Per cambiare la temperatura da Fahrenheit a Celsius o da Celsius a Fahrenheit, tocca e tieni premuto il pulsante della luce per 5 secondi.

SELEZIONA LA TEMPERATURA

La tua cantina ha un solo scomparto. La temperatura può essere scelta tra 4 °C e 18 °C (39 - 65 °F). Si consiglia di impostare la temperatura nell'intervallo da 12 °C a 18 °C (55 - 64 °F), ideale per la conservazione di vini rossi e impostare tra 4 °C e 12 °C (39 - 55 °F) adatto per champagne e vini bianchi.

MENSOLE CANTINETTA

I ripiani sono completamente regolabili per ospitare bottiglie di vino di diverse forme e dimensioni.

Per evitare di danneggiare la guarnizione della porta, assicurarsi che la porta sia completamente aperta durante la rimozione dei ripiani dal vano guida.

Gli scaffali sono già impostati in modalità di fabbrica, con conseguente utilizzo più efficiente dell'energia per gli apparecchi di refrigerazione.

COME USARE LA CAVE À VIN

Prima di accendere:

- Assicurarsi che sia stato installato da una persona adeguatamente qualificata, secondo le informazioni contenute nelle istruzioni di installazione.
- Dopo la consegna, attendere quattro ore prima di collegare l'apparecchio alla rete. Ciò consentirà al gas refrigerante che potrebbero essere stati alterati durante il processo di trasporto di depositarsi.
- L'esterno dell'apparecchio e gli accessori rimovibili in esso contenuti devono essere puliti con una soluzione di detersivo liquido e acqua.
- L'interno dell'apparecchio va pulito con una soluzione di bicarbonato di sodio sciolto in acqua tiepida.
- L'interno e gli accessori devono essere completamente asciutti al termine del processo di pulizia.

- Quando si accende l'apparecchio per la prima volta si può emanare un odore particolare. Diminuirà man mano che l'apparecchio inizia a raffreddarsi.
- **Durante il primo utilizzo:**
- **IMPORTANTE:** Quando si utilizza la cantinetta per la prima volta o si riavvia l'apparecchio dopo un lungo periodo di inattività, potrebbe esserci una variazione di alcuni gradi tra la temperatura selezionata e quella indicata sul display a LED. Questo è normale ed è dovuto alla lunghezza del tempo di attivazione. Dopo alcune ore di funzionamento della cantina, tutto tornerà alla normalità.
- Quando si accende l'apparecchio per la prima volta, il compressore funzionerà ininterrottamente fino a quando la cantinetta non raggiunge una temperatura sufficientemente fresca.
- Durante questo periodo di tempo, dovresti cercare di non aprire frequentemente la porta o di non mettere bottiglie all'interno dell'apparecchio.
- Se l'unità è spenta o scollegata, è necessario attendere almeno 5 minuti prima di riavviare l'apparecchio.

Carica la cantina:

- **IMPORTANTE:** Il tuo apparecchio è ideale per conservare bottiglie di vino in stile bordeaux da 0,75 litri. Sebbene sia possibile conservare bottiglie più grandi, è necessario assicurarsi che non impediscano la corretta chiusura della porta.
- Controlla sempre di poter chiudere la porta senza urtare le bottiglie di vino.
- Quando si caricano più bottiglie di vino contemporaneamente, l'apparecchio impiegherà più tempo a raffreddare le singole bottiglie.
- Poiché molte bottiglie possono differire per dimensioni e dimensioni, il numero effettivo di bottiglie che possono essere immagazzinate può variare.
- Il numero massimo di stoccaggio si basa su bottiglie di vino standard da 0,75 litri.

Conservazione del vino:

- La tabella seguente indica le temperature di conservazione ideali per i diversi tipi di vino:

Tipo di vino	Temperatura (Celsius)	Temperatura (Fahrenheit)
Vino rosso	12 - 18 °C	58 - 64 °F
Vino bianco	5 - 12 °C	48 - 79 °F
Spumanti / Cavas	4 - 8 °C	39 - 47 °F

Nota: Se la temperatura è troppo alta, il vino potrebbe guastarsi. Se è impostato su un valore troppo basso, può provocare un elevato consumo di elettricità.

- La stabilità della temperatura è il fattore più importante quando si tratta di conservare il vino.
- L'esposizione alla luce, alle vibrazioni o agli sbalzi di temperatura e umidità può causare il deterioramento del vino. Se conservati correttamente, i vini non solo mantengono la loro qualità, ma molti migliorano in aroma, sapore e complessità man mano che maturano.
- I vini mantenuti a una temperatura più elevata invecchiano più velocemente. Il vino esposto a temperature superiori a 18 °C (64 °F) soffrirà di un sapore e un aroma più scarsi.
- Se il vino viene mantenuto a una temperatura troppo bassa, questo può portare allo sviluppo di depositi dannosi. Un'umidità del 60% - 70% è l'ideale per evitare che i tappi si restringano.
- Dopo aver aperto una bottiglia di vino, il vino entra in contatto con l'aria. Pertanto, è meglio conservare il resto della bottiglia in posizione verticale, per ridurre al minimo la superficie del vino che viene a contatto con l'aria.
- Una volta aperto, il vino rimarrà in condizioni ottimali per due giorni per i bianchi delicati o tre giorni per i rossi corposi, purché la bottiglia sia stata richiusa. È necessario assicurarsi che il sigillo sia stretto controllando la spina.
- Tappi speciali che mantengono spumante e champagne per un giorno o due dopo l'apertura possono essere acquistati presso la maggior parte delle enoteche.

- Se ben conservati, i vini bianchi possono durare fino a due anni. I rossi corposi invecchiano bene per dieci anni e i vini da dessert invecchiano bene fino a venti anni.
- Quando acquisti una bottiglia di vino, dovresti trasferirla immediatamente in un luogo di conservazione adatto (se non hai intenzione di conservarla nella tua cantina).
- Le bottiglie di vino più economiche non invecchieranno come quelle più costose.
- Per ottenere il massimo dall'aroma e dal sapore del tuo vino, non riempire mai più di mezzo bicchiere alla volta. Aiuterà anche se la forma del tuo bicchiere da vino è appropriata per il tuo vino. La dimensione e la forma del tuo bicchiere da vino determineranno l'intensità e la complessità. Il gambo dovrebbe essere abbastanza lungo da evitare il contatto delle mani con il vaso e dovrebbe essere a forma di tulipano o affusolato nella parte superiore.

PULIZIA E MANUTENZIONE

- Dopo l'installazione del nuovo apparecchio, si consiglia di pulirlo accuratamente.
- Spegnere prima la cantinetta, quindi scollegare l'unità dalla presa elettrica.
- Elimina tutto il contenuto.
- Lavare l'interno con un panno caldo e umido imbevuto di acqua tiepida e una soluzione di bicarbonato di sodio.
- La soluzione dovrebbe essere di circa 2 cucchiaini di bicarbonato di sodio per ogni litro d'acqua.
- Assicurarsi di mantenere pulita la guarnizione della porta (guarnizione) affinché l'unità funzioni in modo efficiente.
- L'esterno della cantina deve essere pulito con un detergente delicato e acqua tiepida.
- Asciugare l'interno e l'esterno con un panno morbido.
- La polvere o qualsiasi altra cosa che ostruisce la ventilazione può ostacolare l'efficienza di raffreddamento dell'apparecchio.
- Spegnere prima la cantinetta, quindi scollegare l'unità dalla presa quando non verrà utilizzata per un lungo periodo di tempo.
- Elimina tutto il contenuto.
- Pulire l'apparecchio.
- Lasciare la porta leggermente aperta per evitare possibili formazioni di condensa, muffe o odori.
- Vacanze brevi: Lasciare in funzione la cantina nei periodi di vacanza inferiori alle tre settimane.
- Lunga vacanza: Se la cantinetta non verrà utilizzata per diversi mesi, rimuovere tutto il contenuto e scollegare il cavo di alimentazione. Pulisci e asciuga accuratamente l'interno. Per evitare la formazione di odori e muffe, lasciare la porta leggermente aperta e bloccarla se necessario.
- Spostare il tuo apparecchio: Spegnere prima la cantinetta e poi scollegare l'unità dalla presa elettrica.
- Elimina tutto il contenuto.
- Nastro tutti gli oggetti sciolti all'interno dell'apparecchio.
- Coprire le porte chiuse.
- **Suggerimenti per risparmiare energia:**
- La cantinetta deve essere posizionata nella zona più fresca della stanza, lontano da apparecchi che producono calore o condotti di riscaldamento e al riparo dalla luce solare diretta.
- Assicurarsi che la porta sia chiusa correttamente quando la cantinetta è accesa.

Sostituire la Lampadina:

- La luce è una lampadina a LED a lunga durata ed efficiente dal punto di vista energetico. Pertanto, non dovrebbe essere necessario sostituirlo durante la vita del prodotto. Tuttavia, se necessario, deve essere sostituito da personale qualificato. Il seguente simbolo indica che la sorgente luminosa di questo apparecchio deve essere sostituita solo da un tecnico qualificato:



RISOLUZIONE DEL PROBLEMA

PROBLEMA	POSSIBILE CAUSA E SOLUZIONI
La cantina non funziona.	Non è collegata. L'interruttore automatico è scattato o il fusibile è danneggiato. Il controllo della temperatura è troppo caldo. Passa a un'impostazione più fredda e attendi diverse ore affinché la temperatura si stabilizzi.
La temperatura interna è troppo alta.	La porta viene tenuta aperta troppo a lungo o viene aperta troppo spesso. L'aria calda entra nella cantinetta ogni volta che si apre la porta. Apri la porta meno spesso. La porta non è completamente chiusa. La guarnizione della porta non si chiude correttamente. La cantina è stata recentemente offline per un po'.
La temperatura interna è troppo bassa.	Sono necessarie 4 ore perché la cantinetta si raffreddi completamente. Il controllo della temperatura è impostato troppo freddo. Passa a un'impostazione più calda e attendi diverse ore affinché la temperatura si stabilizzi.
Vibrazioni	Assicurati che la cantinetta si trovi su una superficie piana. La cantina tocca il muro. Livellala nuovamente e allontanala dal muro. Se si verificano vibrazioni continue, spegnere la cantinetta e sollevare la spina di alimentazione. Contatta il Servizio Clienti per ulteriore assistenza.
C'è condensa sulle pareti interne della cantina.	La porta viene tenuta aperta troppo a lungo o viene aperta troppo spesso. Apri la porta meno spesso. La porta non è sigillata correttamente.
C'è condensa sulle pareti esterne della cantina. La porta non si chiude correttamente.	Assicurati che la cantinetta si trovi su una superficie piana. La cantinetta non è su una superficie piana. Il tabellone è sporco.



In conformità con la direttiva 2012/19 / UE e 2015/863 / UE sulla gestione del fine vita di sostanze pericolose nelle apparecchiature elettriche ed elettroniche, nonché sul loro smaltimento dei rifiuti, il simbolo con la piumina incrociata mostrato sulla confezione indica che il prodotto al termine della sua vita utile verrà raccolto come rifiuto separato. Pertanto, qualsiasi prodotto che ha raggiunto la fine della sua vita utile deve essere consegnato a centri specializzati di smaltimento dei rifiuti per la raccolta selettiva di rifiuti di apparecchiature elettriche ed elettroniche e portato al rivenditore al momento dell'acquisto di nuove apparecchiature simili in un unico per una base. Una cartina separata separata per la successiva messa in servizio di apparecchiature spente per essere riciclate, trattate e smaltite in modo ecologico aiuta a prevenire potenziali effetti negativi sull'ambiente e sulla salute umana con il riciclaggio e il riutilizzo di componenti che compongono il dispositivo. L'uso non abusivo del prodotto da parte del cliente implica l'applicazione di sanzioni amministrative in conformità con le leggi.

DEUTSCH

Vielen Dank, dass Sie sich für unseren Weinkeller entschieden haben. Bevor Sie dieses Gerät verwenden und um eine optimale Nutzung zu gewährleisten, lesen Sie bitte die Anweisungen sorgfältig durch.

Die hier aufgeführten Sicherheitsmaßnahmen reduzieren die Gefahr von Feuer, Stromschlag und Verletzungen, wenn sie richtig befolgt werden. Bewahren Sie das Handbuch sowie die Garantie, den Kaufbeleg und die Verpackung zum späteren Nachschlagen an einem sicheren Ort auf. Geben Sie diese Anleitung ggf. an den zukünftigen Besitzer des Gerätes weiter. Befolgen Sie beim Gebrauch eines Elektrogeräts immer die grundlegenden Sicherheitshinweise und Maßnahmen zur Risikovermeidung. Der Hersteller haftet nicht für Schäden, die durch Nichtbeachtung dieser Anleitung durch den Benutzer entstehen.

SICHERHEITSHINWEISE

Bei der Verwendung von Elektrogeräten sollten immer grundlegende Sicherheitsvorkehrungen beachtet werden.

- **WARNUNG:** Einklemmgefahr. Um zu vermeiden, dass ein Kind eingeklemmt wird, treffen Sie die folgenden Vorsichtsmaßnahmen, bevor Sie den Weinkühler entsorgen.
- Entfernen Sie alle Türen vom Gerät.
- Lassen Sie die Regale an Ort und Stelle, damit Kinder nicht leicht nach oben klettern können.
- Erlauben Sie Kindern niemals, den Weinkeller zu benutzen, zu spielen oder zu kriechen.
- Dieses Gerät ist nicht für den Gebrauch durch Personen (einschließlich Kinder) mit eingeschränkten physischen, sensorischen oder geistigen Fähigkeiten oder Mangel an Erfahrung und Wissen bestimmt, es sei denn, sie wurden von einer verantwortlichen Person beaufsichtigt oder in die Verwendung des Geräts eingewiesen.
- Verwenden Sie das Gerät nicht, wenn der Stecker, das Netzkabel oder das Gerät selbst beschädigt sind. Wenn das Netzkabel beschädigt ist, muss es vom Hersteller, einem autorisierten Servicecenter oder ähnlich qualifizierten Personen ersetzt werden, um Gefahren zu vermeiden.
- Kältemittel: Alle Kälteprodukte enthalten Kältemittel, die nach den gesetzlichen Richtlinien vor der Entsorgung des Produkts zu entsorgen sind. Es liegt in der Verantwortung des Verbrauchers, bei der Entsorgung dieses Produkts die örtlichen Vorschriften einzuhalten. Reinigen Sie die Teile des Weinkühlers niemals mit brennbaren Flüssigkeiten. Dämpfe können eine Brand- oder Explosionsgefahr darstellen.
- Dieses Gerät ist für den häuslichen Gebrauch in Innenräumen und ähnliche Anwendungen bestimmt, wie zum Beispiel: Küchenbereiche für Mitarbeiter in Geschäften, Büros und anderen Arbeitsumgebungen; Lodges und Kunden in Hotels, Motels und anderen Wohnumgebungen; Umgebungen vom Typ Bed & Breakfast; Gastronomie und ähnliche Anwendungen.
- Dieses Gerät ist ausschließlich für die Weinlagerung bestimmt. Bewahren Sie keine Lebensmittel in diesem Gerät auf.
- Bewahren Sie das Gerät und das Netzkabel außerhalb der Reichweite von Kindern auf.
- Wenn das Netzkabel beschädigt ist, muss es vom Hersteller, seinem Kundendienst oder einem qualifizierten Techniker ersetzt werden, um Gefahren zu vermeiden.
- Wählen Sie einen Standort für Ihr Gerät abseits von Wärmequellen wie Heizkörpern oder Kaminen, da das Kühlmittel verbrennen kann.
- Das Gerät muss von mindestens 2 Personen manövriert werden.

- Dieses Gerät kann von Kindern ab 8 Jahren und Personen mit eingeschränkten physischen, sensorischen oder geistigen Fähigkeiten oder Mangel an Erfahrung und Wissen verwendet werden, wenn sie beaufsichtigt werden oder Anweisungen zur sicheren Verwendung des Geräts erhalten und die damit verbundenen Gefahren verstehen. Kinder dürfen nicht mit dem Gerät spielen. Reinigung und Benutzerwartung sollten nicht von Kindern ohne Aufsicht durchgeführt werden.
- Dieses Gerät kann nicht als Einbaugerät verwendet werden.
- Kinder müssen beaufsichtigt werden, um sicherzustellen, dass sie nicht mit dem Gerät spielen.
- Wenn Ihr Gerät mit einem Schloss ausgestattet ist, um zu verhindern, dass Kinder darin eingeschlossen werden, bewahren Sie den Schlüssel außerhalb der Reichweite und nicht in der Nähe des Geräts auf.
- Lagern Sie keine explosiven Stoffe wie Aerosoldosen mit einem brennbaren Treibmittel in diesem Gerät.

PRODUKTEIGENSCHAFTEN

Schalttafel

- Das Bedienfeld befindet sich im Inneren des Geräts, es ist sehr einfach, die Temperatur des Geräts einzustellen und zu sehen, auf welche Temperatur es eingestellt ist.

Innenbeleuchtung

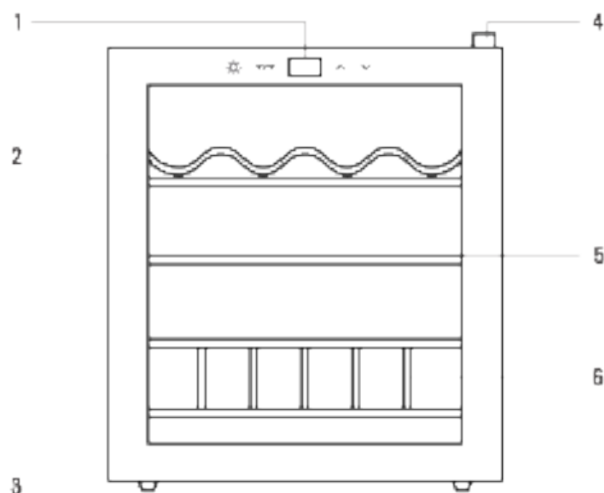
- Der Weinkeller hat eine Innenbeleuchtung. Das Licht kann mit der Lichtsteuerungstaste ein- und ausgeschaltet werden.

Regale

- Die Regale sind vollständig verstellbar, um verschiedene Formen und Größen von Weinflaschen aufzunehmen.
- Um eine Beschädigung der Türdichtung zu vermeiden, stellen Sie sicher, dass die Tür vollständig geöffnet ist, wenn Sie die Fachböden aus dem Schienenfach entfernen.
- Für einen leichten Zugriff auf gelagerte Flaschen ziehen Sie die Ablagen ca. 1/3 heraus. Die Regale sind mit einem Not-Aus ausgestattet, um zu verhindern, dass sie beim Beladen zu weit herausgezogen werden.

LISTE DER EINZELTEILE

1. Elektronisches Bedienfeld und Display
2. Türschnalle
3. Verstellbare Beine
4. Scharnierabdeckung
5. Regal aus Holz
6. Schutzbügel für Weinflaschen



Bevor Sie Ihren Weinkühler verwenden:

- Entfernen Sie die äußere und innere Verpackung.
- Bevor Sie den Weinkühler an die Stromquelle anschließen, lassen Sie ihn ca. 4 Stunden aufrecht stehen. Dadurch wird die Möglichkeit einer Fehlfunktion des Kühlsystems aufgrund einer unsachgemäßen Handhabung während des Transports verringert. Reinigen Sie die Innenfläche mit lauwarmem Wasser mit einem weichen Tuch.

Installieren Sie Ihren Weinkeller:

- Dieser Weinschrank ist freistehend konzipiert und darf nicht eingebaut werden.
- Lassen Sie 5 cm Platz zwischen der Rückseite und den Seiten des Weinschranks, um eine ausreichende Belüftung zu ermöglichen. Stellen Sie die Beine so ein, dass der Wein in der am besten geeigneten Position bleibt. Stellen Sie den Weinschrank fern von direkter Sonneneinstrahlung und Wärmequellen (Herd, Kochfeld, Heizkörper usw.) auf. Direktes Sonnenlicht kann die Acrylbeschichtung beeinträchtigen und Wärmequellen können den Stromverbrauch erhöhen. Umgebungstemperaturen unter 5 °C oder über 32 °C beeinträchtigen die Leistung dieses Geräts.

WARNUNG: Dieses Gerät ist nicht für die Verwendung in einer Garage oder einer anderen externen Installation ausgelegt.

- Vermeiden Sie die Aufstellung des Weinkellers in feuchten Räumen.
- Stecken Sie den Weinschrank in eine ordnungsgemäß installierte und geerdete Steckdose. Unter keinen Umständen schneiden oder entfernen Sie das dritte Stromkabel (Masse). Bei Fragen zur Stromversorgung oder Erdung wenden Sie sich bitte an einen zertifizierten Elektriker oder ein autorisiertes Servicecenter.

WARNUNG: Dieses Gerät ist nicht für die Installation in einem Wohnwagen oder die Verwendung mit einem Konverter vorgesehen.

- Nachdem Sie den Weinkühler an eine Steckdose angeschlossen haben, schalten Sie das Gerät ein und lassen Sie es 3 bis 4 Stunden abkühlen, bevor Sie Wein- oder Getränkeflaschen in das Gerät stellen.

WARNUNG: Halten Sie die Lüftungsschlitze an der Außenseite des Geräts frei von Hindernissen.

ELEKTRISCHER ANSCHLUSS

WARNUNG: Bei unsachgemäßer Verwendung des Erdungssteckers besteht die Gefahr eines Stromschlags. Wenn das Netzkabel beschädigt ist, lassen Sie es von einem autorisierten Servicecenter ersetzen.

- Dieser Weinkeller muss zu Ihrer Sicherheit ordnungsgemäß geerdet werden. Das Netzkabel ist mit einem dreipoligen Stecker ausgestattet, der in handelsübliche dreipolige Steckdosen passt, um die Möglichkeit eines Stromschlags zu minimieren.
- Dieser Weinkühlschrank ist nicht für die Verwendung mit einem Wechselrichter ausgelegt.
- Das Kabel muss hinter dem Gerät befestigt werden und darf nicht freigelegt oder hängen bleiben, um versehentliche Verletzungen zu vermeiden.
- Trennen Sie den Weinkühlschrank niemals durch Ziehen am Netzkabel. Fassen Sie den Stecker immer fest an und ziehen Sie ihn aus der Steckdose.
- Verwenden Sie für dieses Gerät kein Verlängerungskabel. Wenn das Netzkabel zu kurz ist, lassen Sie von einem qualifizierten Elektriker oder Servicetechniker eine Steckdose in der Nähe des Geräts installieren. Die Verwendung eines Verlängerungskabels kann die Leistung des Geräts beeinträchtigen.
- Verwenden Sie keine Elektrogeräte in den Lebensmittelfächern des Geräts, es sei denn, es handelt sich um den vom Hersteller empfohlenen Typ.
- Lagern Sie keine explosiven Stoffe wie Aerosoldosen mit einem brennbaren Treibmittel in diesem Gerät.



WARNUNG: Brandgefahr / brennbare Materialien.

NUTZUNG DER WEINKÜHLSCHRANK

SCHALTAFEL



Das Bedienfeld befindet sich oben an der Tür.

LICHTTASTE

Zum Ein- oder Ausschalten der Innenbeleuchtung.

TASTE ZUM ERHÖHEN DER TEMPERATUR

Um die Temperatur um jeweils 1 °C oder 1 °F zu erhöhen.

TASTE ZUM SENKEN DER TEMPERATUR

Um die Temperatur um jeweils 1 °C oder 1 °F zu senken.

WÄHLEN °F / °C

Wählen Sie die Temperaturanzeige in Grad Fahrenheit oder Celsius. Um die Temperatur von Fahrenheit auf Celsius oder von Celsius auf Fahrenheit zu ändern, berühren und halten Sie die Lichttaste 5 Sekunden lang.

WÄHLEN SIE DIE TEMPERATUR

Ihr Weinkeller hat nur ein Fach. Die Temperatur kann zwischen 4 °C und 18 °C (39 - 65 °F) gewählt werden. Es wird empfohlen, die Temperatur im Bereich von 12 °C bis 18 °C (55 - 64 °F) einzustellen, was ideal für die Lagerung von Rotweinen ist und zwischen 4 °C und 12 °C (39 - 55 °F) eingestellt ist, geeignet für Champagner und Weißweine.

WEINKÜHLSCHRANK REGALE

Die Regale sind vollständig verstellbar, um verschiedene Formen und Größen von Weinflaschen aufzunehmen.

Um eine Beschädigung der Türdichtung zu vermeiden, stellen Sie sicher, dass die Tür vollständig geöffnet ist, wenn Sie die Fachböden aus dem Schienenfach entfernen.

Die Regale sind bereits im Werksmodus eingestellt, wodurch die Energie für Kühlgeräte am effizientesten genutzt wird.

VERWENDUNG DES WEINKÜHLSCHRANK

Vor dem Einschalten:

- Stellen Sie sicher, dass es von einer entsprechend qualifizierten Person gemäß den Informationen in der Installationsanleitung installiert wurde.
- Warten Sie nach der Lieferung vier Stunden, bevor Sie das Gerät an das Stromnetz anschließen. Dadurch können sich während des Transportvorgangs veränderte Kältemittelgase absetzen.
- Das Äußere des Geräts und das darin enthaltene abnehmbare Zubehör sollten mit einer Lösung aus flüssigem Reinigungsmittel und Wasser gereinigt werden.
- Das Innere des Geräts sollte mit einer in warmem Wasser gelösten Natriumbicarbonatlösung gereinigt werden.
- Der Innenraum und das Zubehör sollten nach Abschluss des Reinigungsvorgangs vollständig trocken sein.
- Beim ersten Einschalten des Geräts kann ein eigenartiger Geruch entstehen. Sie nimmt ab, wenn das Gerät abzukühlen beginnt.

• **Bei der ersten Verwendung:**

- **WICHTIG:** Wenn Sie den Weinkühler zum ersten Mal benutzen oder das Gerät nach längerem Ausschalten neu starten, kann es zu Abweichungen von einigen Grad zwischen der von Ihnen gewählten Temperatur und der auf dem LED-Display angezeigten Temperatur kommen. Dies ist normal und liegt an der Länge der Aktivierungszeit. Sobald der Weinkeller einige Stunden in Betrieb ist, wird sich alles wieder normalisieren.
- Wenn Sie das Gerät zum ersten Mal einschalten, läuft der Kompressor kontinuierlich, bis der Weinkeller eine ausreichend kühle Temperatur erreicht hat.
- Während dieser Zeit sollten Sie versuchen, die Tür nicht häufig zu öffnen oder Flaschen in das Gerät zu stellen.
- Wenn das Gerät ausgeschaltet oder vom Netz getrennt ist, müssen Sie mindestens 5 Minuten warten, bevor Sie das Gerät neu starten.

Weinkeller beladen:

- **WICHTIG:** Ihr Gerät ist ideal für die Aufbewahrung von 0,75-Liter-Weinflaschen im Bordeaux-Stil. Obwohl Sie größere Flaschen aufbewahren können, müssen Sie sichergestellt machen, dass sie die Tür nicht daran hindern, richtig zu schließen.
- Prüfen Sie immer, ob Sie die Tür schließen können, ohne gegen die Weinflaschen zu stoßen.
- Wenn Sie mehrere Weinflaschen gleichzeitig laden, dauert es länger, bis das Gerät die einzelnen Flaschen abgekühlt hat.
- Da sich viele Flaschen in Größe und Abmessungen unterscheiden können, ist die tatsächliche Anzahl der Flaschen möglich auf Lager variieren.
- Die maximale Lageranzahl basiert auf Standard 0,75 Liter Weinflaschen.

Wein lagern:

- Die folgende Tabelle zeigt die idealen Lagertemperaturen für verschiedene Weinsorten:

Weinsorte	Temperatur (Celsius)	Temperatur (Fahrenheit)
Rotwein	12 - 18 °C	58 - 64 °F
Weißwein	6 - 12 °C	48 - 79 °F
Schaumweine / Caves	4 - 8 °C	39 - 47 °F

Hinweis: Wird die Temperatur zu hoch eingestellt, kann der Wein verderben. Eine zu niedrige Einstellung kann zu einem hohen Stromverbrauch führen.

- Die Temperaturstabilität ist der wichtigste Faktor bei der Lagerung von Wein.
- Durch Lichteinwirkung, Vibrationen oder Temperatur- und Feuchtigkeitsschwankungen kann der Wein verderben. Bei richtiger Lagerung behalten Weine nicht nur ihre Qualität, sondern viele werden auch in Aroma, Geschmack und Komplexität mit zunehmender Reife zunehmen.
- Weine, die bei einer höheren Temperatur gelagert werden, altern schneller. Wein, der Temperaturen über 18 °C (64 °F) ausgesetzt ist, leidet unter einem schlechteren Geschmack und Aroma.
- Wird der Wein bei zu niedriger Temperatur gelagert, kann dies zur Bildung von schädlichen Ablagerungen führen. Eine Luftfeuchtigkeit von 60 % - 70 % ist ideal, um ein Schrumpfen der Korken zu verhindern.
- Nach dem Öffnen einer Weinflasche kommt der Wein mit Luft in Kontakt. Daher ist es am besten, den Rest der Flasche aufrecht zu lagern, um die Oberfläche des Weins, die mit Luft in Kontakt kommt, zu minimieren.
- Nach dem Öffnen bleibt der Wein zwei Tage für zarte Weißweine oder drei Tage für vollmundige Rotweine in optimalem Zustand, sofern die Flasche wieder verschlossen wurde. Sie müssen sicherstellen, dass die Dichtung dicht ist, indem Sie den Stecker überprüfen.
- Spezielle Stöpsel, die Sekt und Champagner nach dem Öffnen noch ein oder zwei Tage sprudeln lassen, sind in den meisten guten Weingeschäften erhältlich.

- Bei richtiger Lagerung sind Weißweine bis zu zwei Jahre haltbar. Vollmundige Rotweine reifen zehn Jahre und Dessertweine bis zu zwanzig Jahre.
- Wenn Sie eine Flasche Wein kaufen, sollten Sie diese sofort an einen geeigneten Lagerplatz bringen (wenn Sie sie nicht in Ihrem Weinkeller lagern möchten).
- Billigere Weinflaschen altern nicht so gut wie teurere.
- Um das Aroma und den Geschmack Ihres Weines optimal zu nutzen, füllen Sie nie mehr als ein halbes Glas auf einmal. Es hilft auch, wenn die Form Ihres Weinglases zu Ihrem Wein passt. Die Größe und Form Ihres Weinglases bestimmt die Intensität und Komplexität. Der Stiel sollte lang genug sein, um einen Handkontakt mit der Vase zu vermeiden, und sollte nach oben tulpenförmig oder spitz zulaufend sein.

REINIGUNG UND INSTANDHALTUNG

- Nach der Installation Ihres neuen Gerätes wird eine gründliche Reinigung empfohlen.
- Schalten Sie zuerst den Weinkühlschrank aus und ziehen Sie dann das Gerät aus der Steckdose.
- Löschen Sie alle Inhalte.
- Waschen Sie das Innere mit einem warmen, feuchten Tuch, das in lauwarmem Wasser und einer Natronlösung getränkt ist.
- Die Lösung sollte etwa 2 Esslöffel Backpulver pro Liter Wasser sein.
- Achten Sie darauf, die Türdichtung (Dichtung) sauber zu halten, damit das Gerät effizient funktioniert.
- Das Äußere des Weinkellers sollte mit einem milden Reinigungsmittel und warmem Wasser gereinigt werden.
- Trocknen Sie das Innere und Äußere mit einem weichen Tuch.
- Staub oder andere Gegenstände, die die Belüftung blockieren, können die Kühlleistung des Geräts beeinträchtigen.
- Schalten Sie zuerst den Weinkühler aus und ziehen Sie dann das Gerät aus der Steckdose, wenn es längere Zeit nicht verwendet wird.
- Löschen Sie alle Inhalte.
- Reinigen Sie das Gerät.
- Lassen Sie die Tür leicht geöffnet, um eine mögliche Bildung von Kondenswasser, Schimmel oder Gerüchen zu vermeiden.
- Kurzurlaub: Lassen Sie den Weinkeller während der Ferien von weniger als drei Wochen in Betrieb.
- Lange Ferien: Wenn der Weinkühlschrank mehrere Monate lang nicht verwendet wird, entfernen Sie den gesamten Inhalt und ziehen Sie das Netzkabel ab. Reinigen und trocknen Sie den Innenraum gründlich. Um Geruchs- und Schimmelbildung zu vermeiden, Tür leicht geöffnet lassen – ggf. verriegeln.
- Umzug Ihres Geräts: Schalten Sie zuerst den Weinkühlschrank aus und ziehen Sie dann das Gerät aus der Steckdose.
- Löschen Sie alle Inhalte.
- Kleben Sie alle losen Gegenstände in Ihrem Gerät mit Klebeband fest.
- Geschlossene Türen abdecken.
- **Tipps zum Energiesparen:**
- Der Weinklimaschrank sollte im kühlestem Bereich des Raumes, fern von wärmeerzeugenden Geräten oder Heizungskanälen und vor direkter Sonneneinstrahlung stehen.
- Stellen Sie sicher, dass die Tür richtig geschlossen ist, wenn der Weinkühler eingeschaltet ist.

Ersetzen Sie die Glühbirne:

- Die Leuchte ist eine langlebige, energieeffiziente LED-Lampe. Daher sollte es während der Lebensdauer des Produkts nicht erforderlich sein, es zu ersetzen. Wenn dies jedoch erforderlich ist, muss es durch qualifiziertes Personal ersetzt werden. Das folgende Symbol weist darauf hin, dass die Lichtquelle in diesem Gerät nur von einem qualifizierten Techniker ausgetauscht werden sollte:



PROBLEMLÖSUNG

ÄRGER	MÖGLICHE URSACHE UND LÖSUNGEN
Der Weinkeller funktioniert nicht.	Sie ist nicht verbunden. Der Schutzschalter hat ausgelöst oder die Sicherung ist beschädigt. Der Temperaturregler ist zu heiß eingestellt. Stellen Sie eine kühlere Einstellung ein und warten Sie mehrere Stunden, bis sich die Temperatur stabilisiert hat.
Die Innentemperatur ist zu hoch.	Die Tür wird zu lange offen gehalten oder zu oft geöffnet. Bei jedem Öffnen der Tür gelangt heiße Luft in den Weinkühler. Öffne die Tür seltener. Die Tür ist nicht vollständig geschlossen. Die Türdichtung dichtet nicht richtig. Der Weinkeller ist seit einiger Zeit offen. Es dauert 4 Stunden, bis der Weinkühler vollständig abgekühlt ist.
Die Innentemperatur ist zu niedrig.	Der Temperaturregler ist zu kalt eingestellt. Stellen Sie eine wärmere Einstellung ein und warten Sie mehrere Stunden, bis sich die Temperatur stabilisiert hat. Stellen Sie sicher, dass der Weinkühler auf einer ebenen Fläche steht. Der Weinkeller berührt die Wand. Richten Sie es neu aus und bewegen Sie es von der Wand weg.
Vibrationen	Wenn anhaltende Vibrationen auftreten, schalten Sie den Weinkühler aus und ziehen Sie den Netzstecker. Wenden Sie sich für weitere Unterstützung an die Kundendienstabteilung.
An den Innenwänden des Weinkellers bildet sich Kondenswasser.	Die Tür ist leicht geöffnet. Die Tür wird zu lange offen gehalten oder zu oft geöffnet. Öffne die Tür seltener. Die Tür ist nicht richtig abgedichtet.
An den Außenwänden des Weinkellers bildet sich Kondenswasser.	Stellen Sie sicher, dass der Weinkühler auf einer ebenen Fläche steht.
Die Tür schließt nicht richtig.	Der Weinkühler steht nicht auf einer ebenen Fläche. Das Brett ist schmutzig.



In Übereinstimmung mit den Richtlinien 2012/19/EU und 2015/863/EU über die Beschränkung der Verwendung gefährlicher Stoffe in elektrischen und elektronischen Geräten sowie deren Abfallentsorgung. Das Symbol für die getrennte Mülltrennung auf der Verpackung zeigt an, dass das Produkt am Ende seiner Nutzungsdauer als separater Abfall gesammelt wird. Daher muss jedes Produkt, das das Ende seiner Nutzungsdauer erreicht hat, an spezialisierte Abfallentsorgungszentren zur selektiven Sammlung von elektrischen und elektronischen Abfallgeräten geliefert oder zum Kauf ähnlicher neuer Geräte an den Einzelhändler zurückgegeben werden für eine kostenlose oder gegen Gebühr gesteuerte Sammlung für die spätere Inbetriebnahme von Geräten, die zum umweltfreundlichen Recycling, zur Behandlung und Entsorgung verschickt werden. Trägt dazu bei, mögliche negative Auswirkungen auf Umwelt und Gesundheit zu vermeiden und das Recycling und die Wiederverwendung zu optimieren. Die Komponenten, aus denen das Gerät besteht, die nichtabbaubare Bausubstanz des Produkts durch den Benutzer impliziert die Anwendung von Verwertungspraktiken in Übereinstimmung mit den Gesetzen.

NEDERLANDS

Bedankt voor het kiezen van onze wijnkelder. Lees de instructies aandachtig door voordat u dit apparaat gebruikt en voor een optimaal gebruik.

De hier vermelde veiligheidsmaatregelen verminderen het risico op brand, elektrische schokken en letsel als ze correct worden opgevolgd. Bewaar de handleiding op een veilige plaats voor toekomstig gebruik, evenals de garantie, het aankoopbewijs en de doos. Geef deze instructies eventueel door aan de toekomstige eigenaar van het apparaat. Volg altijd de basisveiligheidsinstructies en risicopreventiemaatregelen bij het gebruik van een elektrisch apparaat. De fabrikant is niet aansprakelijk voor schade die voortvloeit uit het niet naleven van deze instructies door de gebruiker.

BEVEILIGINGSINSTRUCTIES

Bij het gebruik van een elektrisch apparaat moeten altijd elementaire veiligheidsmaatregelen in acht worden genomen.

- **WAARSCHUWING:** Risico op beknelling. Om te voorkomen dat een kind bekneld raakt, dient u de volgende voorzorgsmaatregelen te nemen voordat u de wijnkoeler weggooit.
- Verwijder alle deuren van de unit.
- Laat de planken op hun plaats zodat kinderen er niet gemakkelijk op kunnen klimmen.
- Laat kinderen nooit de wijnkelder gebruiken, spelen of kruipen.
- Dit apparaat is niet ontworpen voor gebruik door personen (inclusief kinderen) met verminderde fysieke, zintuiglijke of mentale vermogens, of een gebrek aan ervaring en kennis, tenzij ze onder toezicht staan of instructies hebben gekregen over het gebruik van het apparaat door een verantwoordelijke persoon.
- Gebruik het apparaat niet als de stekker, het netsnoer of het apparaat zelf beschadigd zijn. Als het netsnoer beschadigd is, moet het worden vervangen door de fabrikant, een erkend servicecentrum of gelijkwaardige gekwalificeerde personen om gevaar te voorkomen.
- Koelmiddelen: Alle koelproducten bevatten koudemiddelen, die volgens de richtlijnen van de wet moeten worden afgevoerd voordat het product wordt weggegooid. Het is de verantwoordelijkheid van de consument om te voldoen aan de lokale regelgeving bij het weggooien van dit product. Maak de onderdelen van de wijnkoeler nooit schoon met ontvlambare vloeistoffen. Dampen kunnen brand- of explosiegevaar opleveren.
- Dit apparaat is ontworpen voor huishoudelijk gebruik binnenshuis en soortgelijke toepassingen, zoals: personeelskeukens in winkels, kantoren en andere werkomgevingen; lodges en kamers in hotels, motels en andere woonomgevingen; bed & breakfast-achtige omgevingen; catering en soortgelijke toepassingen.
- Dit apparaat is ontworpen om uitsluitend te worden gebruikt voor het bewaren van wijn. Bewaar geen voedsel in dit apparaat.
- Houd het apparaat en het snoer buiten het bereik van kinderen.
- Als het netsnoer beschadigd is, moet het worden vervangen door de fabrikant, zijn servicevertegenwoordiger of een gekwalificeerde technicus om gevaar te voorkomen.
- Kies een locatie voor uw unit uit de buurt van warmtebronnen, zoals radiatoren of open haarden, omdat de koelvloeistof kan verbranden.
- De unit moet door minimaal 2 personen worden gemanoeuvrerd.
- Dit apparaat kan worden gebruikt door kinderen van 8 jaar en ouder en mensen met verminderde fysieke, zintuiglijke of mentale vermogens of gebrek aan ervaring en kennis als ze onder toezicht staan of instructies hebben gekregen over het veilige gebruik van het apparaat en de gevaren begrijpen. Kinderen mogen niet met het apparaat spelen. Reiniging en gebruikersonderhoud mogen niet door kinderen zonder toezicht worden uitgevoerd.

- Dit apparaat kan niet als inbouwapparaat worden gebruikt.
- Kinderen moeten onder toezicht staan om ervoor te zorgen dat ze niet met het apparaat spelen.
- Als uw apparaat is uitgerust met een slot om te voorkomen dat kinderen erin opgesloten raken, houdt u de sleutel buiten bereik en niet in de buurt van het apparaat.
- Bewaar geen explosieve stoffen zoals spuitbussen met een ontvlambaar drijfgas in dit apparaat.

PRODUCTEIGENSCHAPPEN

Controlepaneel

- Het bedieningspaneel bevindt zich in het apparaat, het is heel eenvoudig om de temperatuur van het apparaat in te stellen en te zien op welke temperatuur het is ingesteld.

Binnenverlichting

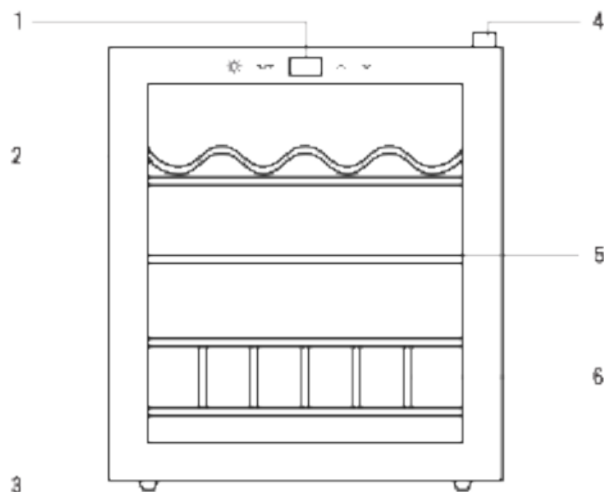
- De wijnkelder heeft een binnenverlichting. Het licht kan aan en uit worden gezet met behulp van de lichtknop.

Rekken

- De planken zijn volledig verstelbaar om plaats te bieden aan verschillende soorten en maten wijnflessen.
- Om beschadiging van de deurpakking te voorkomen, moet u ervoor zorgen dat de deur volledig open is wanneer u de planken uit het railcompartiment verwijdert.
- Voor gemakkelijke toegang tot opgeslagen flessen, trekt u de planken ongeveer 1/3 uit. De planken zijn ontworpen met een noodstop om te voorkomen dat ze te ver worden uitgetrokken wanneer ze beladen zijn.

ONDERDELEN LIJST

1. Elektronisch bedieningspaneel en display
2. Deurklink
3. Verstelbare poten
4. Scharnierafdekking
5. Plank van hout
6. Beschermbeugel voor wijnflessen



Voordat u uw wijnkoeler gebruikt:

- Verwijder de buiten- en binnenverpakking.
- Laat de wijnkoeler ongeveer 4 uur rechtop staan voordat u de wijnkoeler op de stroombron aansluit. Dit verkleint de kans op een storing in het koelsysteem als gevolg van onjuiste behandeling tijdens transport. Reinig de binnenkant met lauw water en een zachte doek.

Installeer uw wijnkelder:

- Deze wijnkast is ontworpen om vrijstaand te zijn en mag niet worden ingebouwd.
- Laat 2 inch ruimte tussen de achterkant en zijkanten van de wijnkast, voor voldoende luchtventilatie. Stel de poten af om het wijnniveau in de meest geschikte positie te houden. Plaats de wijnkast uit de buurt van direct zonlicht en warmtebronnen (fornuis, kookplaat, radiator, enz.). Direct zonlicht kan de acrylcoating aantasten en warmtebronnen kunnen het stroomverbruik verhogen. Een omgevingstemperatuur onder 5 °C of boven 32 °C zal de prestaties van dit apparaat belemmeren.

WAARSCHUWING: Dit apparaat is niet ontworpen voor gebruik in een garage of enige andere externe installatie.

- Plaats de wijnkelder niet in vochtige ruimtes.
- Sluit de wijnkast aan op een correct geïnstalleerd en geaard stopcontact. Knip of verwijder in geen geval de derde stroomdraad (aarde). Alle vragen over stroom of aarding moeten worden gericht aan een gecertificeerde elektricien of een erkend servicecentrum.

WAARSCHUWING: Dit apparaat is niet ontworpen om in een caravan te worden geïnstalleerd of met een omvormer te worden gebruikt.

- Nadat u de wijnkoeler in een stopcontact hebt gestoken, zet u het apparaat aan en laat u het 3 tot 4 uur afkoelen voordat u flessen wijn of dranken in het apparaat plaatst.

WAARSCHUWING: Houd de ventilatieopeningen aan de buitenkant van het apparaat vrij van obstakels.

ELEKTRISCHE AANSLUITING

WAARSCHUWING: Onjuist gebruik van de geaarde stekker kan leiden tot een risico op een elektrische schok. Als het netsnoer beschadigd is, laat het dan vervangen door een erkend servicecentrum.

- Deze wijnkelder moet goed geaard zijn voor uw veiligheid. Het netsnoer is uitgerust met een driepolige stekker die in standaard driepolige wandcontactdozen past om de kans op elektrische schokken te minimaliseren.
- Deze wijnkoeler is niet ontworpen voor gebruik met een omvormer.
- Het snoer moet achter het apparaat worden vastgemaakt en mag niet worden blootgesteld of hangend worden achtergelaten om onopzettelijk letsel te voorkomen.
- Koppel de wijnkoeler nooit los door aan het netsnoer te trekken. Pak de stekker altijd stevig vast en trek hem uit het stopcontact.
- Gebruik geen verlengsnoer bij dit apparaat. Als het netsnoer te kort is, laat dan een gekwalificeerde elektricien of onderhoudsmonteur een stopcontact in de buurt van het apparaat installeren. Het gebruik van een verlengsnoer kan de prestaties van het apparaat nadelig beïnvloeden.
- Gebruik geen elektrische apparaten in de voedselopbergvakken van het apparaat, tenzij ze van het type zijn dat door de fabrikant wordt aanbevolen.
- Bewaar geen explosieve stoffen zoals spultbussen met een ontvlambaar drijfgas in dit apparaat.



WAARSCHUWING: Brandgevaar / brandbare materialen.

GEBRUIK VAN DE WEINKÛLSCHRANK

CONTROLEPANEEL



Het bedieningspaneel bevindt zich aan de bovenkant van de deur.

LICHT KNOP

Om de binnenverlichting aan of uit te zetten.

KNOP OM DE TEMPERATUUR TE VERHOGEN

Om de temperatuur met 1 °C of 1 °F per keer te verhogen.

KNOP OM DE TEMPERATUUR TE VERLAGEN

Om de temperatuur met 1 °C of 1 °F per keer te verlagen.

KIES °F / °C

Selecteer de instelling van de temperatuurweergave in graden Fahrenheit of Celsius. Om de temperatuur te wijzigen van Fahrenheit naar Celsius of van Celsius naar Fahrenheit, houdt u de lichtknop 5 seconden ingedrukt.

KIES DE TEMPERATUUR

Uw wijnkelder heeft maar één compartiment. De temperatuur kan gekozen worden tussen 4 °C en 18 °C (39 - 65 °F). Het wordt aanbevolen om die temperatuur in te stellen in het bereik van 12 °C tot 18 °C (55 - 64 °F), wat ideaal is voor het bewaren van rode wijnen en tussen 4 °C en 12 °C (39 - 55 °F) geschikt voor champagne en witte wijnen.

WIJNKOELER PLANKEN

De planken zijn volledig verstelbaar om plaats te bieden aan verschillende vormen en maten wijnflessen.

Om beschadiging van de deurpakking te voorkomen, moet u ervoor zorgen dat de deur volledig open is wanneer u de planken uit het railcompartiment verwijderd.

De planken zijn al in de fabrieksmodus gezet, wat resulteert in het meest efficiënte energiegebruik voor koelapparatuur.

HOE DE WIJNKOELER TE GEBRUIKEN

Voor het inschakelen:

- Zorg ervoor dat het is geïnstalleerd door een voldoende gekwalificeerd persoon, volgens de informatie in de installatie-instructies.
- Wacht na levering vier uur voordat u het apparaat op het lichtnet aansluit. Hierdoor kunnen koelgassen die tijdens het transportproces zijn gewijzigd, bezinken.
- De buitenkant van het apparaat en de verwijderbare accessoires die erin zitten, moeten worden schoongemaakt met een oplossing van vloeibaar wasmiddel en water.
- De binnenkant van het apparaat moet worden schoongemaakt met een oplossing van natriumbicarbonaat opgelost in warm water.
- Het interieur en de accessoires moeten volledig droog zijn nadat het reinigingsproces is voltooid.
- Wanneer het apparaat voor de eerste keer wordt ingeschakeld, kan er een eigenaardige geur vrijkomen. Het zal afnemen naarmate het apparaat begint af te koelen.

• **Tijdens het eerste gebruik:**

- **BELANGRIJK:** Wanneer u de wijnkoeler voor het eerst gebruikt of het apparaat opnieuw opstart nadat het lange tijd heeft gestaan, kan er een afwijking van enkele graden zijn tussen de temperatuur die u selecteert en de temperatuur die wordt aangegeven op het LED-display. Dit is normaal en is te wijten aan de lengte van de activeringstijd. Zodra de wijnkelder een paar uur heeft gedraaid, wordt alles weer normaal.
- Wanneer u het apparaat voor de eerste keer inschakelt, blijft de compressor continu draaien totdat de wijnkelder een voldoende koude temperatuur heeft bereikt.
- Probeer tijdens deze periode de deur niet vaak te openen of flessen in het apparaat te plaatsen.
- Als het apparaat is uitgeschakeld of de stekker uit het stopcontact is gehaald, moet u minimaal 5 minuten wachten voordat u het apparaat opnieuw start.

Laad de wijnkelder:

- **BELANGRIJK:** Uw apparaat is ideaal voor het bewaren van wijnflessen in Bordeaux-stijl van 0,75 liter. Hoewel u grotere flessen kunt bewaren, moet u ervoor zorgen dat de deur niet goed sluit.
- Controleer altijd of u de deur kunt sluiten zonder de wijnflessen te raken.
- Wanneer u meerdere flessen wijn tegelijk laadt, duurt het langer voordat het apparaat de afzonderlijke flessen afkoelt.
- Omdat veel flessen kunnen verschillen in grootte en afmetingen, is het werkelijke aantal flessen dat kan worden bevoorraden kan variëren.
- Het maximale opslagaantal is gebaseerd op standaard wijnflessen van 0,75 liter.

De wijn bewaren:

- Onderstaande tabel geeft de ideale bewaartemperaturen aan voor verschillende soorten wijn:

Type wijn	Temperatuur (Celsius)	Temperatuur (Fahrenheit)
rode wijn	12 - 18 °C	58 - 64 °F
witte wijn	5 - 12 °C	48 - 79 °F
Mousserende wijnen / Cava's	4 - 8 °C	39 - 47 °F

Opmerking: Als de temperatuur te hoog wordt ingesteld, kan de wijn bederven. Als deze te laag is ingesteld, kan dit leiden tot een hoog elektriciteitsverbruik.

- Temperatuurstabiliteit is de belangrijkste factor als het gaat om het bewaren van wijn.
- Blootstelling aan licht, trillingen of schommelingen in temperatuur en vochtigheid kunnen wijn doen bederven. Als ze op de juiste manier worden bewaard, behouden wijnen niet alleen hun kwaliteit, maar zullen veel ook verbeteren in aroma, smaak en complexiteit naarmate ze rijpen.
- Wijnen die op een hogere temperatuur worden bewaard, zullen sneller verouderen. Wijn die wordt blootgesteld aan temperaturen boven de 18 ° C (64 ° F) zal last hebben van een slechtere smaak en aroma.
- Als de wijn op een te lage temperatuur wordt bewaard, kan dit leiden tot de ontwikkeling van schadelijke afzettingen. Een luchtvochtigheid van 60% - 70% is ideaal om te voorkomen dat kurken krimpen.
- Na het openen van een fles wijn komt de wijn in aanraking met lucht. Daarom is het het beste om de rest van de fles rechtop te bewaren, om het oppervlak van de wijn dat in contact komt met lucht te minimaliseren.
- Eenmaal geopend blijft de wijn twee dagen in optimale conditie voor delicate witte wijnen of drie dagen voor volle rode wijnen, mits de fles weer wordt gesloten. U moet ervoor zorgen dat de afdichting goed vastzit door de plug te controleren.
- Speciale stoppers die mousserende wijn en champagne na opening een dag of twee bubbelen, kunnen bij de meeste goede wijnwinkels worden gekocht.
- Witte wijnen zijn, mits goed bewaard, tot wel twee jaar houdbaar. Krachtige rode wijnen zullen tien jaar goed rijpen en dessertwijnen zullen tot twintig jaar goed rijpen.

- Wanneer u een fles wijn koopt, moet u deze onmiddellijk naar een geschikte opslagplaats overbrengen (als u deze niet in uw wijnkelder gaat bewaren).
- Goedkopere flessen wijn zullen niet zo goed verouderen als duurdere.
- Om het meeste uit het aroma en de smaak van uw wijn te halen, vult u nooit meer dan een half glas per keer. Het helpt ook als de vorm van uw wijnglas geschikt is voor uw wijn. De grootte en vorm van uw wijnglas bepalen de intensiteit en complexiteit. De steel moet lang genoeg zijn om handcontact met de vaas te voorkomen, en moet tulpvormig zijn of aan de bovenkant taps toelopen.

REINIGING EN ONDERHOUD

- Na de installatie van uw nieuwe apparaat is het aan te raden deze grondig te reinigen.
- Schakel eerst de wijnkoeler uit en haal vervolgens de stekker uit het stopcontact.
- Verwijder alle inhoud.
- Was de binnenkant met een warme, vochtige doek gedrenkt in lauw water en een oplossing van zuiveringszout.
- De oplossing moet ongeveer 2 eetlepels zuiveringszout zijn voor elke liter water.
- Zorg ervoor dat de deurpakking (afdichting) schoon blijft zodat de unit efficiënt kan functioneren.
- De buitenkant van de wijnkelder moet worden schoongemaakt met een mild schoonmaakmiddel en warm water.
- Droog de binnen- en buitenkant af met een zachte doek.
- Stof of iets anders dat de ventilatie blokkeert, kan de koelcoëfficiëntie van het apparaat belemmeren.
- Schakel eerst de wijnkoeler uit en haal vervolgens de stekker uit het stopcontact wanneer u deze voor een lange tijd niet gaat gebruiken.
- Verwijder alle inhoud.
- Reinig het apparaat.
- Laat de deur een beetje open staan om mogelijke condensatie, schimmel of geurtjes te voorkomen.
- Korte vakanties: Laat de wijnkelder in bedrijf tijdens vakanties van minder dan drie weken.
- Lange vakantie: Als de wijnkoeler een aantal maanden niet wordt gebruikt, verwijder dan alle inhoud en trek de stekker uit het stopcontact. Reinig en droog de binnenkant grondig. Om geur- en schimmelgroei te voorkomen, laat u de deur op een kier staan - vergrendel hem indien nodig.
- Uw apparaat verplaatsen: Schakel eerst de wijnkoeler uit en haal vervolgens de stekker uit het stopcontact.
- Verwijder alle inhoud.
- Plak alle losse items in uw apparaat vast.
- Bedek gesloten deuren.
- **Tips om energie te besparen:**
- De wijnkast moet in het koelste deel van de kamer worden geplaatst, uit de buurt van warmteproducerende apparaten of verwarmingskanalen en uit de buurt van direct zonlicht.
- Zorg ervoor dat de deur goed gesloten is wanneer de wijnkoeler aan staat.

Vervang de lamp:

- De lamp is een duurzame, energiezuinige LED-lamp. Daarom zou het niet nodig moeten zijn om het te vervangen tijdens de levensduur van het product. Als dit echter nodig is, moet het worden vervangen door gekwalificeerd personeel. Het volgende symbool geeft aan dat de lichtbron in dit apparaat alleen mag worden vervangen door een gekwalificeerde technicus:



PROBLEEM OPLOSSING

PROBLEEM	MOGELIJKE OORZAAK EN OPLOSSINGEN
De wijnkelder werkt niet.	<p>Ze is niet verbonden.</p> <p>De stroomonderbreker is geactiveerd of de zekering is beschadigd.</p> <p>De temperatuurregeling is te warm ingesteld. Verander het naar een koelere instelling en wacht enkele uren totdat de temperatuur is gestabiliseerd.</p>
De binnentemperatuur is te hoog.	<p>De deur staat te lang open of wordt te vaak geopend. Elke keer dat de deur wordt geopend, komt er warme lucht in de wijnkoeler. Open de deur minder vaak.</p> <p>De deur is niet helemaal gesloten.</p> <p>De deurpakking sluit niet goed af.</p> <p>De wijnkelder is sinds kort even offline.</p> <p>Het duurt 4 uur voordat de wijnkoeler volledig is afgekoeld.</p>
De binnentemperatuur is te laag.	<p>De temperatuurregeling is te koud ingesteld. Zet hem op een warmere stand en wacht enkele uren tot de temperatuur gestabiliseerd is.</p> <p>Zorg ervoor dat de wijnkoeler op een vlakke ondergrond staat.</p>
trillingen	<p>De wijnkelder raakt de muur. Stel het opnieuw waterpas en verplaats het weg van de muur.</p> <p>Als er ooit nog trillingen optreden, zet u de wijnkoeler uit en haalt u de stekker uit het stopcontact.</p> <p>Neem contact op met de klantenservice voor verdere hulp.</p>
Er is condensatie op de binnenvuren van de wijnkelder.	<p>De deur staat te lang open of wordt te vaak geopend. Open de deur minder vaak.</p> <p>De deur is niet goed afgesloten.</p>
Er is condensatie op de buitenmuren van de wijnkelder. De deur sluit niet goed.	<p>Zorg ervoor dat de wijnkoeler op een vlakke ondergrond staat.</p> <p>De wijnkoeler staat niet op een vlakke ondergrond. Het bord is vuil.</p>

In overeenstemming met de richtlijn(en) 2012/19 / EU en 2011/65 / EU betreffende de beperking van het gebruik van gevaarlijke stoffen in elektrische en elektronische apparatuur, overal waar afvalverwerking. Het symbool met de gekruiste vuilbak op de verpakking geeft aan dat het product aan het einde van zijn levensduur als gevaarlijk afval wordt ingezameld. Daarom moet elk product dat het einde van zijn levensduur heeft bereikt, worden afgeleverd bij gespecialiseerde afvalverwerkingscentra voor de selectieve inzameling van afgedane elektrische en elektronische apparatuur, of bij de aankoop van soortgelijke nieuwe apparatuur in één keer aan de detailhandelaar worden gerecycled, op zijn best. Een juiste gevaarlijke inzameling voor betere afvalverwerking van apparatuur die wordt verzoend om te worden gerecycled, behoudt de op milieuvriendelijke wijze afgevoerd, helpt mogelijk negatieve effecten op het milieu en de gezondheid te voorkomen en optimaliseert recycling en hergebruik van de componenten waaruit het apparaat bestaat. De correcte milieubehoudende afvalverwerking van het product door de gebruiker impliceert de toepassing van afvalstatistische codes in overeenstemming met de wetten.

Dziękujemy za wybranie naszej winiarni. Przed użyciem tego urządzenia i aby zapewnić jego jak najlepsze użytkowanie, prosimy o uważne zapoznanie się z Instrukcją.

Wymienione tutaj środki bezpieczeństwa zmniejszają ryzyko pożaru, porażenia prądem i obrażeń, jeśli są odpowiednio przestrzegane. Instrukcję należy przechowywać w bezpiecznym miejscu do wykorzystania w przyszłości, podobnie jak gwarancję, dowód sprzedaży i opakowanie. Jeśli dotyczy, przekaż tę instrukcję przyszłemu właścicielowi urządzenia. Zawsze postępuj zgodnie z podstawowymi instrukcjami bezpieczeństwa i środkami zapobiegania ryzyku podczas korzystania z urządzenia elektrycznego. Producent nie ponosi odpowiedzialności za jakiegokolwiek szkody wynikłe z nieprzestrzegania niniejszej instrukcji przez użytkownika.

INSTRUKCJE BEZPIECZEŃSTWA

Podczas korzystania z jakiegokolwiek urządzenia elektrycznego należy zawsze przestrzegać podstawowych zasad bezpieczeństwa.

- **OSTRZEŻENIE:** Ryzyko uwięzienia. Aby uniknąć ryzyka uwięzienia dziecka, przed wyrzuceniem chłodziarki do wina należy podjąć następujące środki ostrożności.
- Zdejmij wszystkie drzwi z jednostki.
- Pozostaw półki na miejscu, aby dzieci nie mogły się łatwo wspinać.
- Nigdy nie pozwalaj dzieckom używać, bawić się lub czotgać się do półnicy na wino.
- To urządzenie nie jest przeznaczone do użytku przez osoby (w tym dzieci) o ograniczonych zdolnościach fizycznych, sensorycznych lub umysłowych lub bez doświadczenia i wiedzy, chyba że są one nadzorowane lub otrzymały instrukcje dotyczące korzystania z urządzenia przez osobę odpowiedzialną.
- Nie używaj urządzenia, jeśli wtyczka, przewód zasilający lub samo urządzenie są uszkodzone. Jeśli przewód zasilający jest uszkodzony, musi zostać wymieniony przez producenta, autoryzowane centrum serwisowe lub podobnie wykwalifikowaną osobę, aby uniknąć zagrożenia.
- Czynniki chłodnicze: Wszystkie produkty chłodnicze zawierają czynniki chłodnicze, które zgodnie z wytycznymi prawa należy zutylizować przed utylizacją produktu. Obowiązkiem konsumenta jest przestrzeganie lokalnych przepisów podczas utylizacji tego produktu. Nigdy nie czyść części chłodziarki do wina łatwopalnymi płynami. Opary mogą stwarzać zagrożenie pożarowe lub wybuchowe.
- To urządzenie jest przeznaczone do użytku domowego w pomieszczeniach i podobnych zastosowań, takich jak: kuchnie dla personelu w sklepach, biurach i innych miejscach pracy; domki i klienci w hotelach, motelach i innych miejscach zamieszkania; środowiska typu bed and breakfast; catering i podobne zastosowania.
- To urządzenie jest przeznaczone wyłącznie do przechowywania wina. Nie przechowuj żywności w tym urządzeniu.
- Przechowuj urządzenie i jego przewód zasilający poza zasięgiem dzieci.
- Jeśli przewód zasilający jest uszkodzony, musi zostać wymieniony przez producenta, jego przedstawiciela serwisowego lub wykwalifikowanego technika, aby uniknąć zagrożenia.
- Wybierz lokalizację urządzenia z dala od źródeł ciepła, takich jak kaloryfery lub kominki, ponieważ chłodziwo może się palić.
- Jednostką muszą manewrować co najmniej 2 osoby.
- To urządzenie może być używane przez dzieci w wieku 8 lat i starsze oraz osoby o ograniczonych zdolnościach fizycznych, sensorycznych lub umysłowych lub bez doświadczenia i wiedzy, jeśli znajdują się pod nadzorem lub są poinstruowane, jak bezpiecznie korzystać z urządzenia i rozumieją związane z tym niebezpieczeństwa. Dzieci nie mogą bawić się urządzeniem. Dzieci nie powinny bez nadzoru czyścić i konserwować urządzenia.

- To urządzenie nie może być używane jako urządzenie do zabudowy.
- Należy pilnować dzieci, aby nie bawiły się urządzeniem.
- Jeśli Twoje urządzenie jest wyposażone w blokadę zapobiegającą uwięzieniu dzieci w środku, trzymaj klucz poza zasięgiem i nie w pobliżu urządzenia.
- Nie przechowuj w tym urządzeniu substancji wybuchowych, takich jak puszki aerozolu z łatwopalnym propelentem.

CHARAKTERYSTYKA PRODUKTU

Panel sterowania

- Panel sterowania znajduje się wewnątrz urządzenia, bardzo łatwo jest ustawić temperaturę urządzenia i zobaczyć, na jaką jest ustawiona.

Wewnętrzne światło

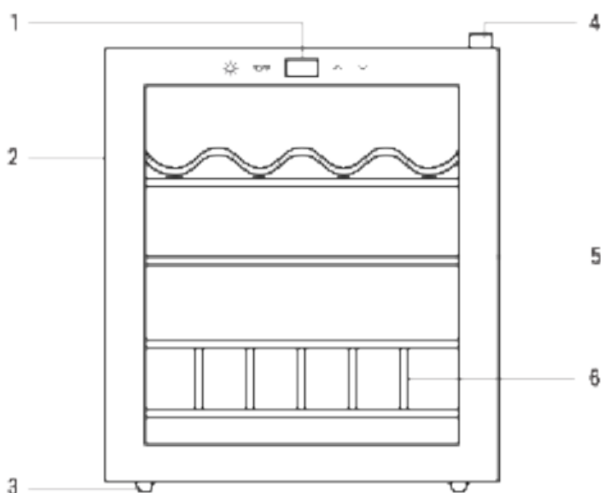
- Piwnica na wino posiada wewnętrzne oświetlenie. Światło można włączać i wyłączać za pomocą przycisku sterowania oświetleniem.

Rogaty

- Półki są w pełni regulowane, aby pomieścić różne kształty i rozmiary butelek wina.
- Aby uniknąć uszkodzenia uszczelki drzwi, upewnij się, że drzwi są całkowicie otwarte podczas wyjmowania półek z przedziału szynowego.
- Aby mieć łatwy dostęp do przechowywanych butelek, wysuń półki o około 1/3. Półki zaprojektowano z wyłącznikiem awaryjnym, aby zapobiec ich wysuwaniu się zbyt daleko po załadowaniu.

LISTA CZĘŚCI

1. Elektroniczny panel sterowania i wyświetlacz
2. Klamka
3. Regulowane nogi
4. Osłona zawiasu
5. Półka z drewna
6. Listwa ochronna do butelek wina



Przed użyciem chłodziarki do wina:

- Usuń opakowanie zewnętrzne i wewnętrzne.
- Przed podłączeniem chłodziarki do źródła zasilania pozostaw ją w pozycji pionowej na około 4 godziny. Zmniejszy to prawdopodobieństwo nieprawidłowego działania układu chłodzenia z powodu niewłaściwego obchodzenia się z nim podczas transportu. Wyczyść wewnętrzną powierzchnię letnią wodą za pomocą miękkiej szmatki.

Zainstaluj swoją piwnicę na wino:

- Ta szafka na wino została zaprojektowana jako wolnostojąca i nie może być wbudowana.
- Pozostaw 2 cale wolnej przestrzeni między tyłem a bokami szafki na wino, aby zapewnić odpowiednią wentylację powietrza. Wyreguluj nóżki, aby utrzymać poziom wina w najbardziej odpowiedniej pozycji. Umieść szafkę na wino z dala od bezpośredniego światła słonecznego i źródeł ciepła (kuchenka, płyta grzewcza, grzejnik itp.). Bezpośrednie światło słoneczne może wpłynąć na powłokę akrylową, a źródła ciepła mogą zwiększać zużycie energii. Temperatura otoczenia poniżej 5 ° C lub powyżej 32 ° C utrudni działanie tego urządzenia.

OSTRZEŻENIE: To urządzenie nie jest przeznaczone do użytku w garażu ani żadnej innej instalacji zewnętrznej.

- Unikaj lokalizowania piwnicy na wino w wilgotnych miejscach.
- Podłącz szafkę na wino do prawidłowo zainstalowanego i uziemionego gniazdka ściennego. Pod żadnym pozorem nie przecinaj ani nie usuwaj trzeciego przewodu zasilania (uziemienia). Wszelkie pytania dotyczące zasilania lub uziemienia należy kierować do certyfikowanego elektryka lub autoryzowanego centrum serwisowego.

OSTRZEŻENIE: To urządzenie nie jest przeznaczone do montażu w przyczepie kempingowej ani do używania z konwerterem.

- Po podłączeniu chłodziarki do gniazdka ściennego włącz urządzenie i pozwól mu ostygnąć przez 3 do 4 godzin przed umieszczeniem butelek wina lub napojów w urządzeniu.

OSTRZEŻENIE: Otwory wentylacyjne na zewnątrz urządzenia powinny być wolne od przeszkód.

POŁĄCZENIE ELEKTRYCZNE

OSTRZEŻENIE: Niewłaściwe użycie wtyczki uziemiającej może spowodować ryzyko porażenia prądem. Jeśli przewód zasilający jest uszkodzony, wymień go w autoryzowanym centrum serwisowym.

- Ta piwnica winna musi być odpowiednio uziemiona dla twojego bezpieczeństwa. Przewód zasilający jest wyposażony w trójbolcową wtyczkę, która pasuje do standardowych trójbolcowych gniazdek ściennych, aby zminimalizować możliwość porażenia prądem.
- Ta chłodziarka do wina nie jest przeznaczona do użytku z falownikiem.
- Przewód musi być zabezpieczony za urządzeniem i nie może być odstępnięty lub zwisający, aby uniknąć przypadkowego zranienia.
- Nigdy nie odłączaj chłodziarki do wina, ciągnąc za przewód zasilający. Zawsze mocno chwyć wtyczkę i wyciągnij ją z gniazdka.
- Nie używaj przedłużacza z tym urządzeniem. Jeśli przewód zasilający jest za krótki, zleć wykwalifikowanemu elektrykowi lub serwisantowi zainstalowanie gniazdka w pobliżu urządzenia. Użycie przedłużacza może niekorzystnie wpłynąć na działanie urządzenia.
- Nie używaj urządzeń elektrycznych wewnątrz komór do przechowywania żywności urządzenia, chyba że są to urządzenia zalecane przez producenta.
- Nie przechowuj w tym urządzeniu substancji wybuchowych, takich jak puszki aerozolu z łatwopalnym propelentem.



OSTRZEŻENIE: Zagrożenie pożarowe / materiały łatwopalne.

KORZYSTANIE Z CHŁODZIARKA DO WINA

PANEL STEROWANIA



Panel sterowania znajduje się na górze drzwi.

PRZYCIŚK ŚWIATŁA

Aby włączyć lub wyłączyć oświetlenie wewnętrzne.

PRZYCIŚK PODNOSZENIA TEMPERATURY

Podnosić temperaturę jednorazowo o 1 °C lub 1 °F.

PRZYCIŚK OBNIŻANIA TEMPERATURY

Aby obniżyć temperaturę o 1 °C lub 1 °F na raz.

WYBIERZ °F / °C

Wybierz ustawienie wyświetlania temperatury w stopniach Fahrenheita lub Celsjusza. Aby zmienić temperaturę z Fahrenheita na Celsjusza lub z Celsjusza na Fahrenheita, dotknij i przytrzymaj przycisk światła przez 5 sekund.

WYBIERZ TEMPERATURĘ

Twoja winiarnia ma tylko jedną komorę. Temperaturę można wybrać między 4 °C a 18 °C (39 - 65 °F). Zaleca się ustawienie temperatury w zakresie od 12 °C do 18 °C (55 - 64 °F), co idealnie nadaje się do przechowywania win czerwonych oraz ustawienie między 4 °C a 12 °C (39 - 55 °F) nadaje się do szampana i win białych.

PÓTKI CHŁODZIARKA DO WINA

Półki są w pełni regulowane, aby pomieścić różne kształty i rozmiary butelek wina.

Aby uniknąć uszkodzenia uszczelki drzwi, upewnij się, że drzwi są całkowicie otwarte podczas wyjmowania półek z przedziału szynowego.

Półki są już ustawione w trybie fabrycznym, co skutkuje najbardziej efektywnym wykorzystaniem energii przez urządzenia chłodnicze.

JAK UŻYWAĆ CHŁODZIARKA DO WINA

Przed włączeniem:

- Upewnij się, że został zainstalowany przez odpowiednio wykwalifikowaną osobę, zgodnie z informacjami zawartymi w instrukcji montażu.
- Po dostawie odczekaj cztery godziny przed podłączeniem urządzenia do sieci. Umożliwi to osadzenie się gazów chłodniczych, które mogły zostać zmienione podczas procesu transportu.
- Zewnętrzną część urządzenia i znajdujące się w nim zdejmowane akcesoria należy czyścić roztworem płynnego detergentu i wody.
- Wnętrze urządzenia należy czyścić roztworem wodorowęglanu sodu rozpuszczonego w ciepłej wodzie.
- Wnętrze i akcesoria powinny być całkowicie suche po zakończeniu procesu czyszczenia.
- Przy pierwszym włączeniu urządzenia może wydzielać się dziwny zapach. Zmniejszy się, gdy urządzenie zacznie stygnąć.

• **Podczas pierwszego użycia:**

- **WAŻNY:** Przy pierwszym użyciu chłodziarki do wina lub ponownym uruchomieniu urządzenia po długim okresie wyłączenia może wystąpić różnica kilku stopni między wybraną temperaturą a temperaturą wskazywaną na wyświetlaczu LED. Jest to normalne i wynika z długości czasu aktywacji. Po kilku godzinach pracy piwnicy wszystko wróci do normy.
- Po włączeniu urządzenia po raz pierwszy kompresor będzie działał nieprzerwanie, aż piwnica na wino osiągnie wystarczająco chłodną temperaturę.
- W tym czasie należy starać się nie otwierać często drzwi ani wkładać butelek do urządzenia.
- Jeśli urządzenie jest wyłączone lub odłączone od zasilania, należy odczekać co najmniej 5 minut przed ponownym uruchomieniem urządzenia.

Załaduj piwnicę na wino:

- **WAŻNY:** Twoje urządzenie idealnie nadaje się do przechowywania 0,75 litrowych butelek wina w stylu bordoskim. Chociaż możesz przechowywać większe butelki, musisz upewnić się, że nie przeszkadzają one w prawidłowym zamknięciu drzwi.
- Zawsze sprawdzaj, czy możesz zamknąć drzwi bez uderzania w butelki wina.
- W przypadku jednoczesnego załadowania kilku butelek wina, schłodzenie poszczególnych butelek potrwa dłużej.
- Ponieważ wiele butelek może różnić się rozmiarem i wymiarami, rzeczywista liczba butelek, które mogą być na zapas może się różnić.
- Maksymalna ilość przechowywania jest oparta na standardowych butelkach wina o pojemności 0,75 litra.

Przechowywanie wina:

- Poniższa tabela wskazuje idealne temperatury przechowywania dla różnych rodzajów wina:

Rodzaj wina	Temperatura (Celsjusza)	Temperatura (Fahrenhölta)
czerwane wina	12 - 18 °C	54 - 64 °F
białe wina	6 - 12 °C	43 - 54 °F
Wina musujące / Cava	4 - 8 °C	39 - 47 °F

Uwaga: Jeśli temperatura jest zbyt wysoka, wina może się zepsuć. Jeśli jest ustawiony zbyt nisko, może to skutkować wysokim zużyciem energii elektrycznej.

- Stabilność temperatury jest najważniejszym czynnikiem przy przechowywaniu wina.
- Narażenie na światło, wibracje lub wahania temperatury i wilgotności mogą spowodować zepsucie wina. Prawidłowo przechowywane wina nie tylko zachowują swoją jakość, ale wiele z nich poprawia aromat, smak i złożoność w miarę dojrzewania.
- Wina przechowywane w wyższej temperaturze szybciej się starzeją. Wino wystawione na działanie temperatury powyżej 18 °C (64 °F) będzie miało gorszy smak i aromat.
- Jeśli wina jest przechowywane w zbyt niskiej temperaturze, może to prowadzić do powstawania szkodliwych osadów. Wilgotność 60% - 70% jest idealna, aby zapobiec kurczeniu się korków.
- Po otwarciu butelki wina, wina wchodzi w kontakt z powietrzem. Dlatego najlepiej przechowywać resztę butelki w pozycji pionowej, aby zminimalizować powierzchnię wina, która ma kontakt z powietrzem.
- Po otwarciu wina pozostanie w optymalnym stanie przez dwa dni w przypadku delikatnych białych lub trzy dni w przypadku pełnych czerwonych, pod warunkiem, że butelka została ponownie zamknięta. Musisz upewnić się, że uszczelka jest szczelna, sprawdzając wtyczkę.
- Specjalne korki, które utrzymują musujące wina i szampana przez dzień lub dwa po otwarciu, można kupić w większości dobrych sklepów z winem.

- Przy prawidłowym przechowywaniu białe wina mogą przetrwać nawet dwa lata. Czerwone wina o pełnej treści będą dobrze dojrzewać przez dziesięć lat, a wina deserowe nawet przez dwadzieścia lat.
- Kupując butelkę wina należy od razu przenieść ją do odpowiedniego miejsca do przechowywania (jeśli nie zamierzamy przechowywać jej w piwnicy na wino).
- Tańsze butelki wina nie starzeją się tak samo jak droższe.
- Aby w pełni wykorzystać aromat i smak wina, nigdy nie napełniaj więcej niż pół kieliszka na raz. Pomoże również, jeśli kształt kieliszka do wina będzie odpowiedni dla twojego wina. Wielkość i kształt kieliszka do wina określa intensywność i złożoność. Łodyga powinna być wystarczająco długa, aby uniknąć kontaktu dłoni z wazonem i powinna mieć kształt tulipana lub zwaćć się na górze.

CZYSZCZENIE I KONSERWACJA

- Po zainstalowaniu nowego urządzenia zaleca się jego dokładne czyszczenie.
- Najpierw wyłącz chłodziarkę do wina, a następnie odłącz urządzenie od gniazdka elektrycznego.
- Usuń całą zawartość.
- Umyj wnętrze ciepłą, wilgotną szmatką nasączoną letnią wodą i roztworem sody oczyszczonej.
- Roztwór powinien zawierać około 2 łyżki sody oczyszczonej na każdy litr wody.
- Upewnij się, że uszczelka (uszczelka) drzwi jest czysta, aby urządzenie działało wydajnie.
- Zewnętrzną część piwnicy na wino należy czyścić łagodnym detergentem i ciepłą wodą.
- Osusz wnętrze i zewnętrzną powierzchnię miękką szmatką.
- Kurz lub cokolwiek innego blokującego wentylację może obniżyć wydajność chłodzenia urządzenia.
- Najpierw wyłącz chłodziarkę do wina, a następnie odłącz urządzenie od gniazdka, gdy nie będzie używane przez dłuższy czas.
- Usuń całą zawartość.
- Wyczyść urządzenie.
- Drzwi pozostawiaj lekko uchylone, aby uniknąć tworzenia się skroplin, pleśni lub zapachów.
- Krótkie wakacje: W czasie wakacji krótkich niż trzy tygodnie pozostawiaj winiarnię w ruchu.
- Długie wakacje: Jeśli chłodziarka do wina nie będzie używana przez kilka miesięcy, wyjmij całą zawartość i odłącz przewód zasilający. Dokładnie wyczyść i osusz wnętrze. Aby uniknąć nieprzyjemnego zapachu i rozwoju pleśni, drzwi należy pozostawić lekko uchylone – w razie potrzeby zamknąć je.
- Przenoszenie urządzenia: Najpierw wyłącz chłodziarkę do wina, a następnie odłącz urządzenie od gniazdka elektrycznego.
- Usuń całą zawartość.
- Zaklej taśmą wszystkie luźne przedmioty wewnątrz urządzenia.
- Zakryj zamknięte drzwi.
- **Wskazówki dotyczące oszczędzania energii:**
- Szafka na wino powinna znajdować się w najchłodniejszym miejscu pomieszczenia, z dala od urządzeń wytwarzających ciepło lub przewodów grzewczych oraz z dala od bezpośredniego światła słonecznego.
- Upewnij się, że drzwiczki są prawidłowo zamknięte, gdy chłodziarka do wina jest włączona.

Wymień żarówkę:

- Światło to trwałą, energooszczędną żarówkę LED. Dlatego nie powinna być konieczna jego wymiana w okresie eksploatacji produktu. Jeśli jednak jest to konieczne, musi zostać wymieniony przez wykwalifikowany personel. Poniższy symbol oznacza, że źródło światła w tym urządzeniu powinno być wymieniane wyłącznie przez wykwalifikowanego technika:



ROZWIĄZANIE PROBLEMU

KŁOPOT	MOŻLIWA PRZYCZYNA I ROZWIĄZANIA
Płwnica z winami nie działa.	Ona nie jest połączona. Wyłącznik automatyczny zadziałał lub bezpiecznik jest uszkodzony. Regulator temperatury jest zbyt gorący. Zmień ustawienie na chłodniejsze i odczekaj kilka godzin, aż temperatura się ustabilizuje.
Temperatura w pomieszczeniu jest zbyt wysoka.	Drzwi są zbyt długo otwarte lub obwierane zbyt często. Gorąca powietrze dostaje się do chłodziarki na wino za każdym razem, gdy obwierane są drzwi. Otwieraj drzwi rzadziej. Drzwi nie są całkowicie zamknięte. Uszczelka drzwi nie uszczelnia prawidłowo. Płwnica z winami jest od jakiegoś czasu niedostępna. Całkowite schłodzenie chłodziarki do wina zajmuje 4 godziny.
Temperatura w pomieszczeniu jest zbyt niska.	Regulator temperatury jest ustawiony na zbyt niską temperaturę. Zmień go na ciepła i z ustawienie i odczekaj kilka godzin, aż temperatura się ustabilizuje. Upewnij się, że chłodziarka do wina znajduje się na równej powierzchni.
Wibracje	Płwnica z winami dotyka ściany. Wycożnij ją od ściany. Jeśli pojawiają się ciągłe wibracje, wycoż chłodziarkę do wina i odłącz wtyczkę zasilania. Skontaktuj się z Usługiem Obsługi Klienta, aby uzyskać dalszą pomoc. Drzwi są lekko uchylone.
Na wewnętrznych ścianach płwnicy na wino występuje kondensacja.	Drzwi są zbyt długo otwarte lub obwierane zbyt często. Otwieraj drzwi rzadziej. Drzwi nie są prawidłowo uszczelnione.
Na zewnętrznych ścianach płwnicy na wino występuje kondensacja. Drzwi nie zamykają się prawidłowo.	Upewnij się, że chłodziarka do wina znajduje się na równej powierzchni. Chłodziarka do wina nie stoi na równej powierzchni. Tablica jest brudna.

Zgodnie z dyrektywami 2012/18 / UE i 2015/369 / UE w sprawie ograniczenia stosowania niebezpiecznych substancji w sprzęcie elektrycznym i elektronicznym, w celu ich usunięcia. Symbol z przekreślonym pojemnikiem na śmieci pokazuje na opakowaniu paczeczki, że produkt pod koniec okresu użytkowania będzie zliczony jako osobny odpad. Dlatego każdy produkt, który osiągnął koniec okresu użytkowania, musi zostać dostarczony do wyspecjalizowanych centrów usuwania odpadów w celu selektywnej zbiórki z recyklingu sprzętu elektrycznego i elektronicznego lub oddany do spracowania przy zakupie nowego sprzętu, w jednym zle jednej bez. Wskazane selektywne zbiórki w celu późniejszego uruchomienia sprzętu przeznaczonego do recyklingu, obróbki i tyficyacji w sposób przyjazny dla środowiska pomogą zapobiec potencjalnym negatywnym skutkom dla środowiska zdrowia oraz optymalizacji i zyskowi. ponowne życie elementów składających się na urządzenie. Nawet jeśli nie usuniesz produktu przez użytkownika oznacza naruszenie zasad i obowiązków zgodnie z prawem.



CREATE