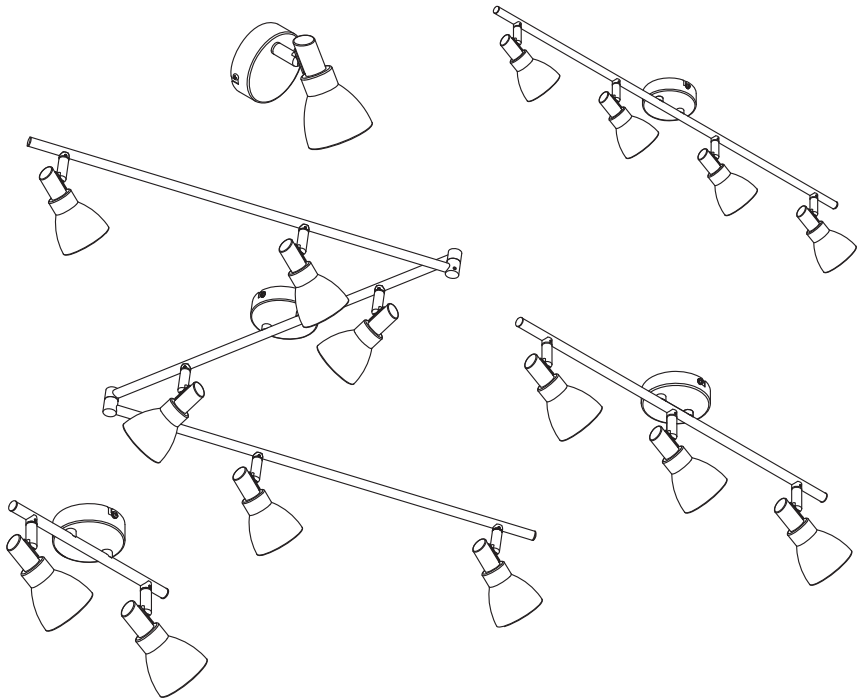

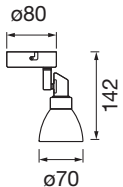






## LED SPOT G9




	EAN	W	max. W (LED)	lm	K	$\theta_{amb}$ (°C)	V~	mA	Hz	PF
<b>LED SPOT 1,9W 827 G9</b>	4058075540620	1x1.9	1.9	200	2700	-20...+40	220-240	18	50/60	>0.4
<b>LED SPOT 2X1,9W 827 G9</b>	4058075540644	2x1.9	2x1.9	400	2700	-20...+40	220-240	36	50/60	>0.4
<b>LED SPOT 3X1,9W 827 G9</b>	4058075540668	3x1.9	3x1.9	600	2700	-20...+40	220-240	54	50/60	>0.4
<b>LED SPOT 4X1,9W 827 G9</b>	4058075540682	4x1.9	4x1.9	800	2700	-20...+40	220-240	72	50/60	>0.4
<b>LED SPOT 6X1,9W 827 G9</b>	4058075540705	6x1.9	6x1.9	1200	2700	-20...+40	220-240	108	50/60	>0.4

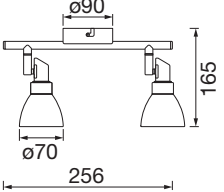
LED SPOT G9 1x1.9W  **190 g**







2x  2x  1x  1x 


mm

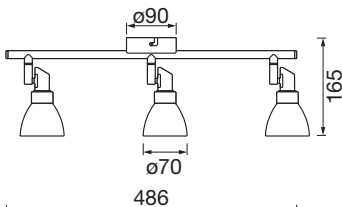
LED SPOT G9 2x1.9W  **400 g**







2x  2x  2x  1x 


mm

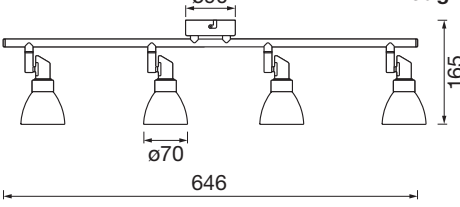
LED SPOT G9 3x1.9W  **575 g**







2x  2x  3x  1x 


mm

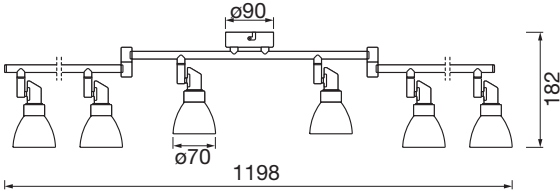
LED SPOT G9 4x1.9W  **730 g**








2x  2x  4x  1x 

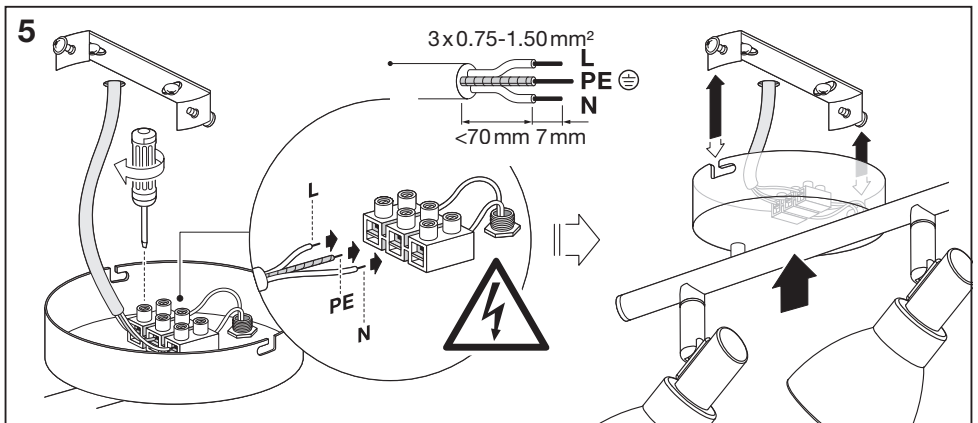
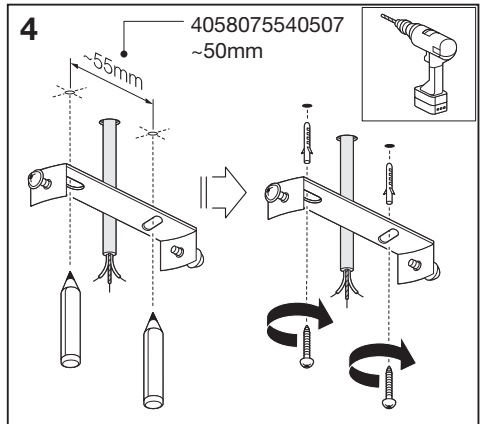
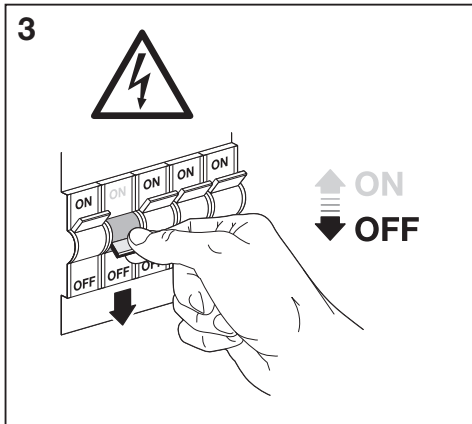
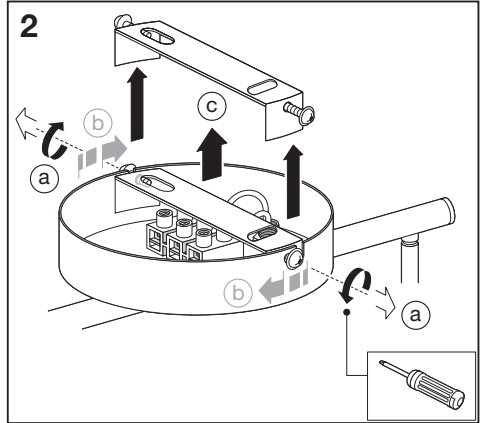
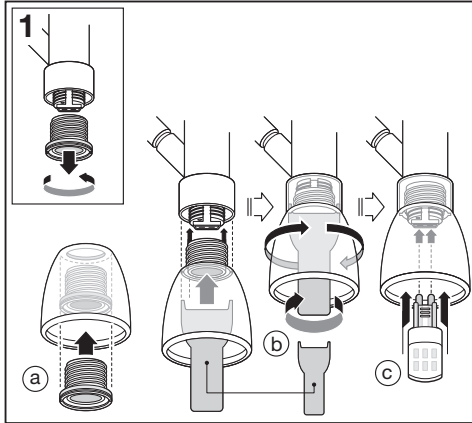
mm

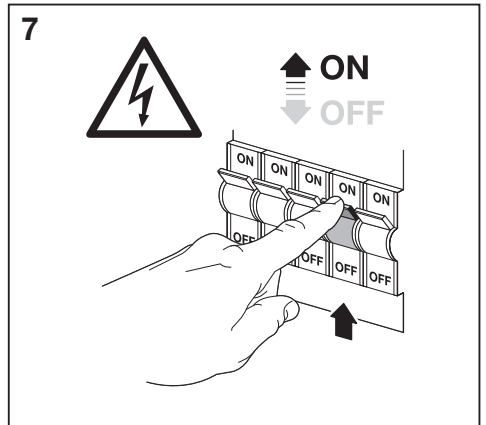
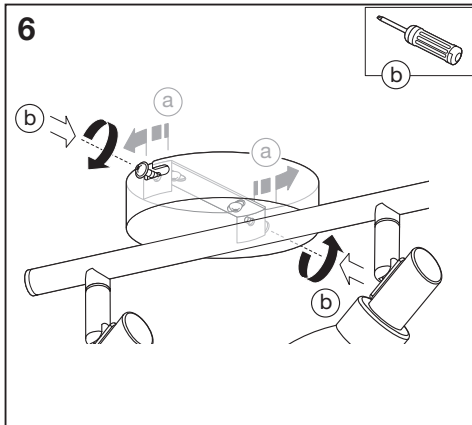
LED SPOT G9 6x1.9W  **1200 g**



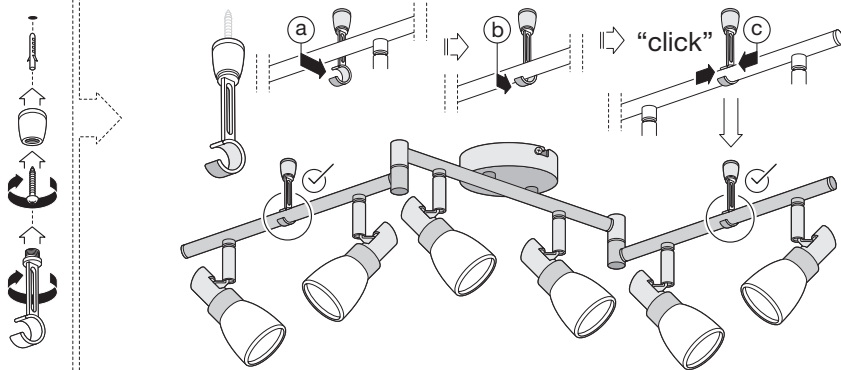
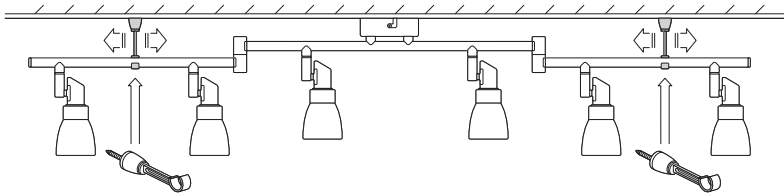
2x  2x  4x  6x  1x 

mm





LED SPOT G9 6x1.9W



C10449057  
G11117520  
13.04.2021



LEDVANCE GmbH  
Steinerne Furt 62  
86167 Augsburg, Germany  
[www.ledvance.com](http://www.ledvance.com)