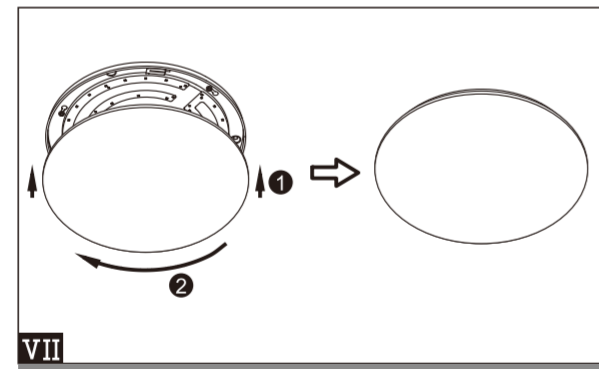
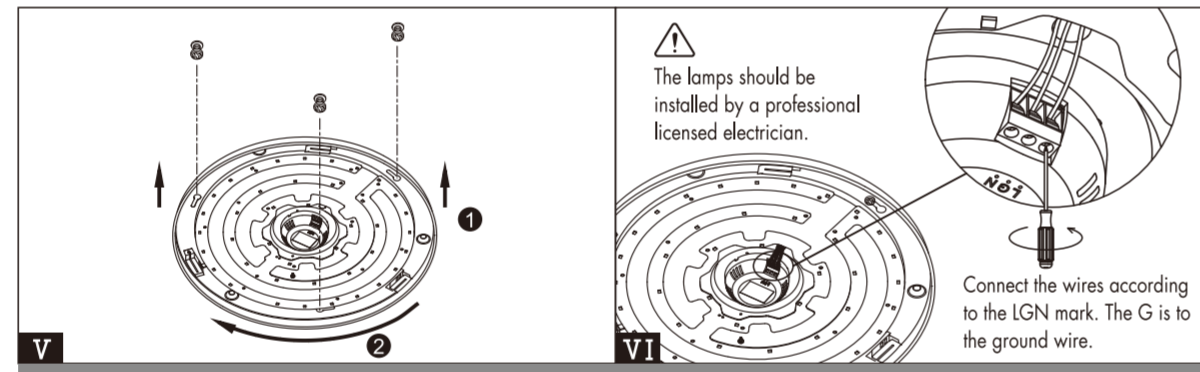
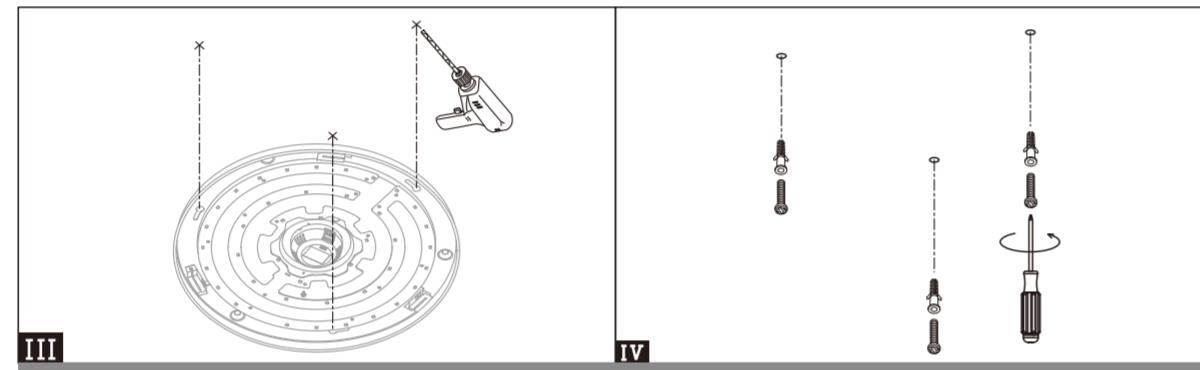
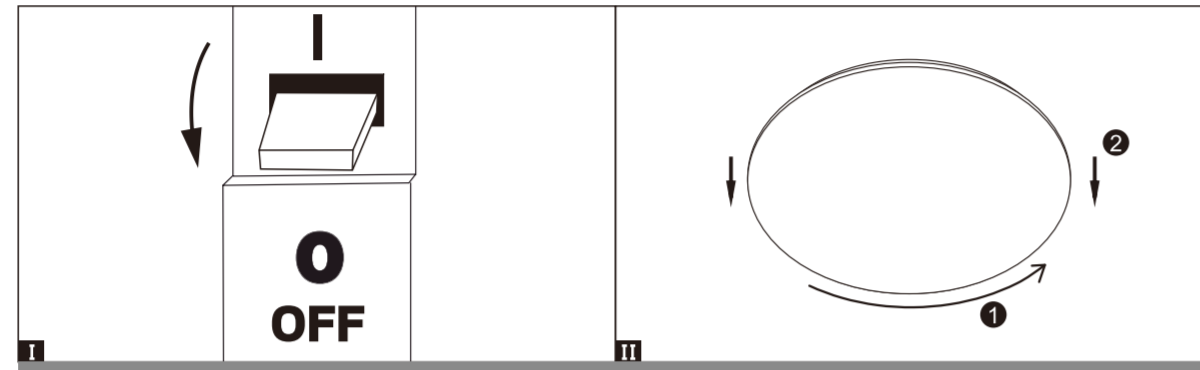


INSTRUCTION MANUAL
Extrema CL 80 White Star Effect
96799

CE IP20 RoHS
180-240V RF dimmable Max. 90W



ATTENTION

- Warning: this lamp may only be used with the LED light source provided.
- Power off the electricity before connecting the lamp.

CLEANING INSTRUCTIONS

Only clean surface with a mild cleaning agent using a soft cloth.

TOOLS YOU WILL NEED



96799

This item contains unchangeable LED

5680	LM
90	W
2700-6500	K
>80	Ro
30000	H

QAZQA

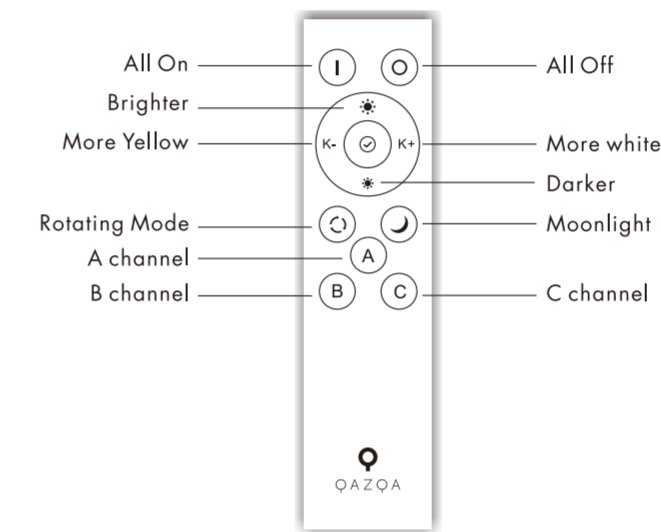
WWW.QAZQA.COM



96796-96797-96798-96799-98386
ADJUSTABLE LED CIRCULAR LUMINAIRES
REMOTE CONTROL INSTRUCTIONS

CE

- Install 2 x AAA batteries (Not supplied) into the remote control.
- On & Off buttons turn the fitting on and Off.
- K- & K+ buttons allow you to adjust the colour temperature to your liking.
- The * & * buttons adjust the level of brightness (dimming function).
- The ⊙ button changes the colour temperature from warm to cool to a mix of both.
- The ⊙ button puts the light fitting into "Nightlight" mode.
- Channel "B" & "C" buttons can be used for controlling additional LED circular light fittings and each channel and light fitting would have to be "paired" as below.



Note: The Light Fitting & the Remote Control have been paired "A channel" at the factory. If the remote control is not working you may need to action the following pairing process.

- With the light fitting switched Off, long press Channel "A" on the remote control and wait for the LED on the remote control to remain a constant RED.
- With the Channel "A" button still pressed down switch on the light fitting. It should initially blink which indicates that the light fitting has been successfully paired.

Specification

Mode	CS-RG12KW1
Color	White
Wireless Technology	5.8G wireless communication
Control distance	30m
Moonlight Mode	Yes
Group Control	Yes
Rotating Mode	Yes
Power	A pair of AAA batteries
Size	150*38.5*12mm
Weight	35g

QAZQA

WWW.QAZQA.COM

