
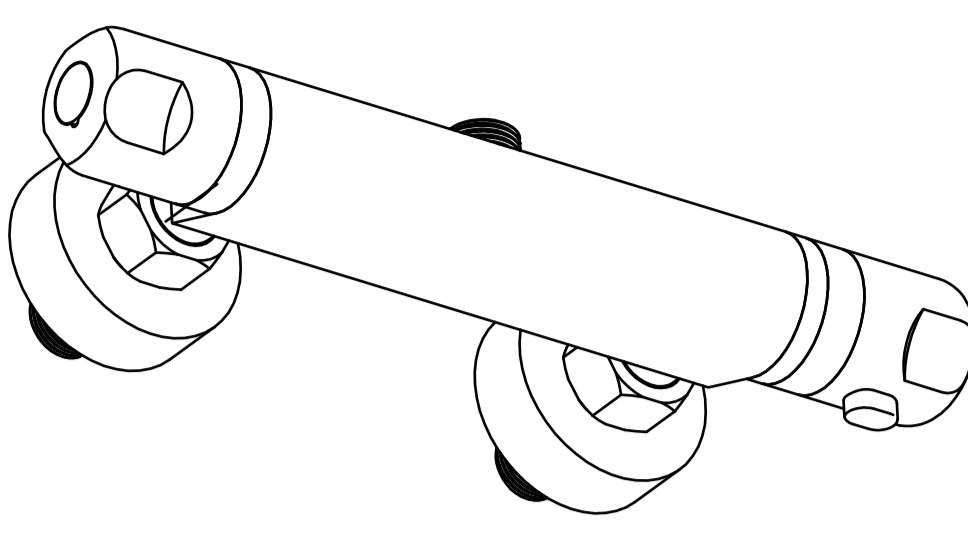


EN

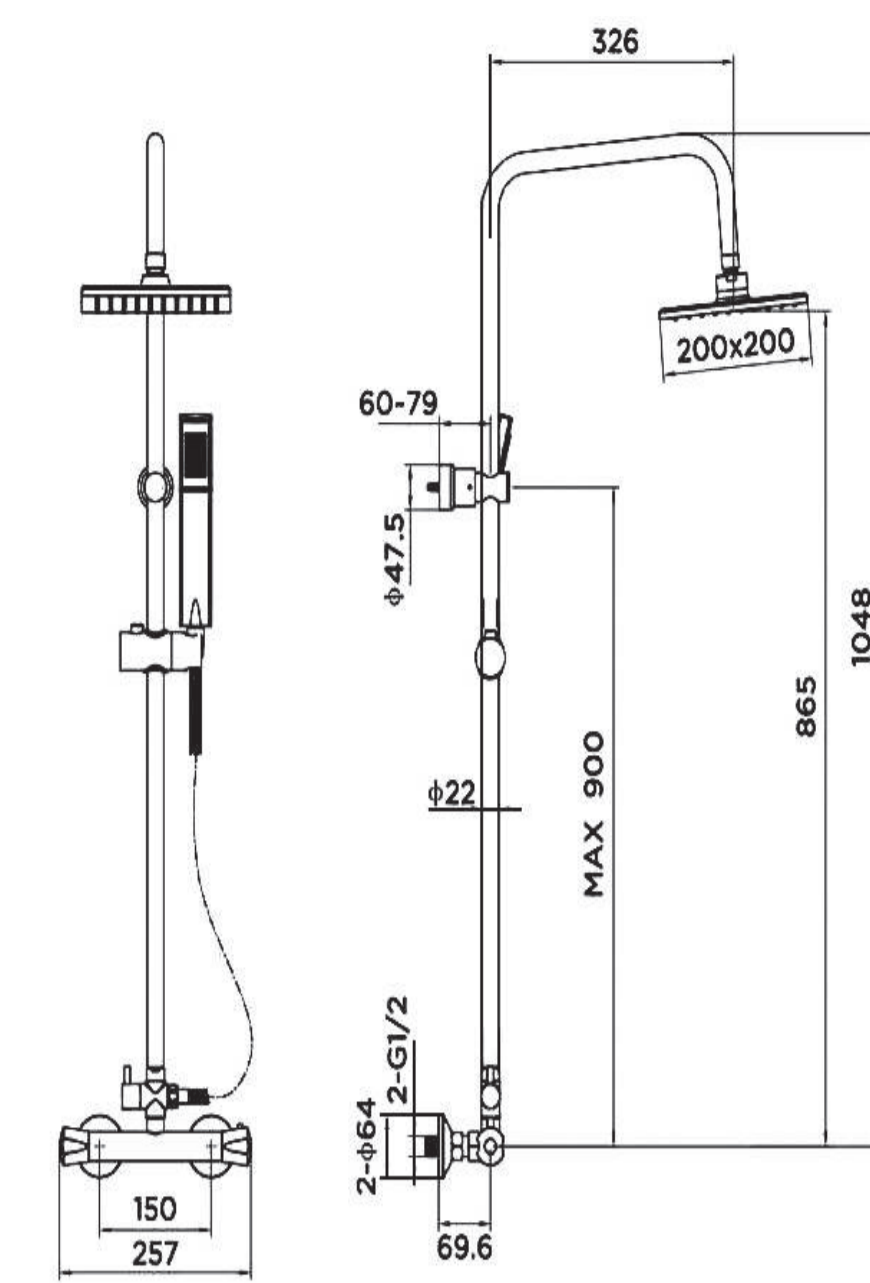
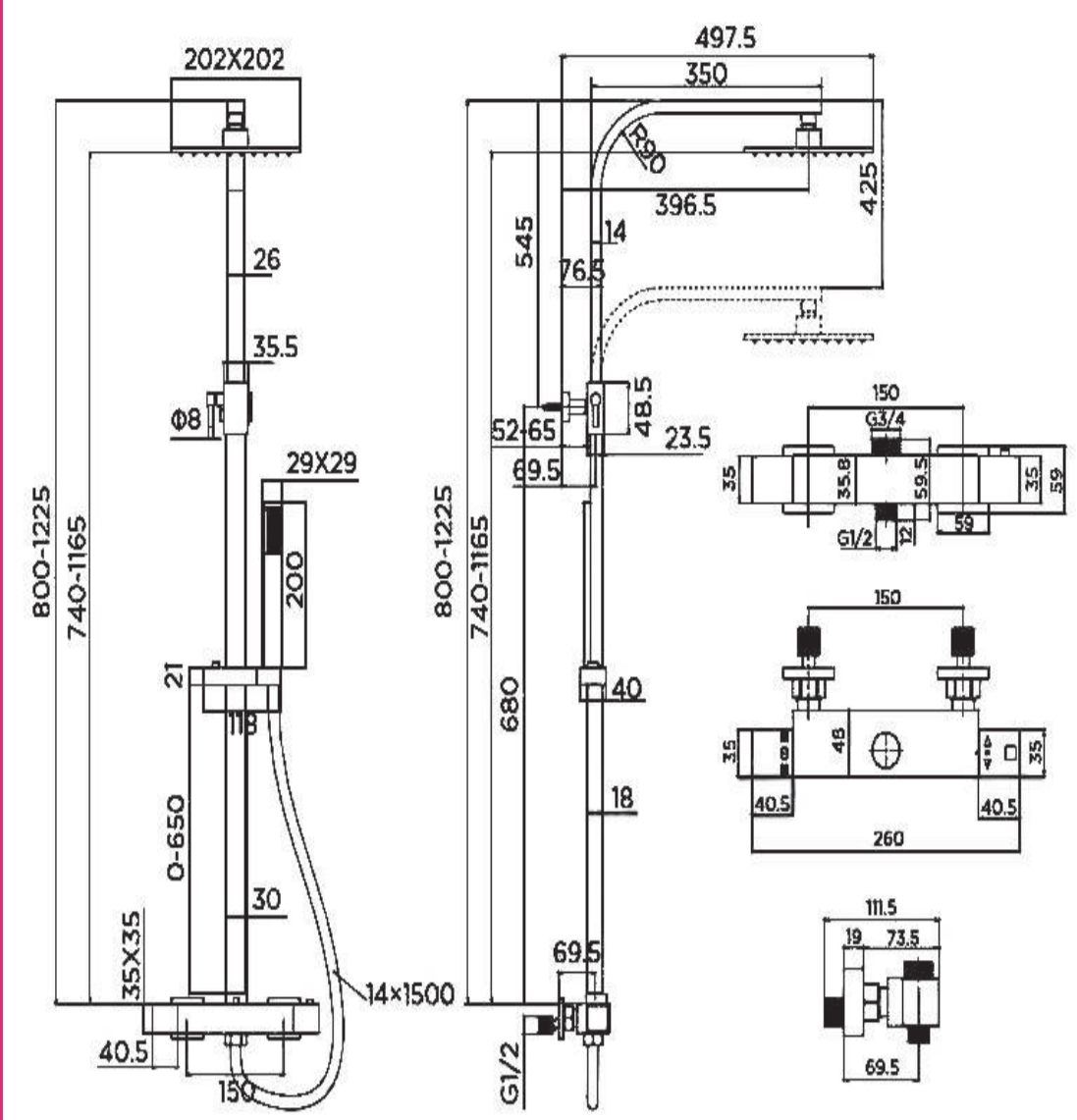
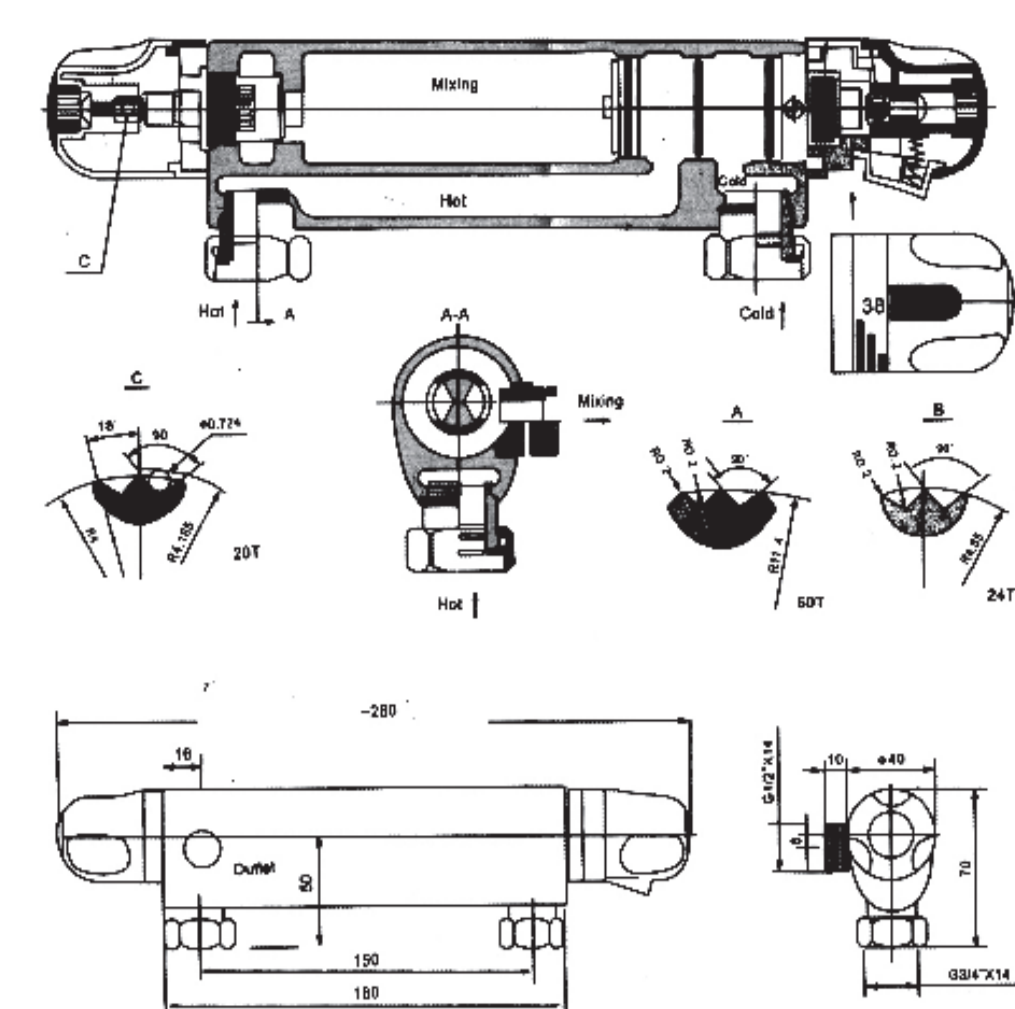
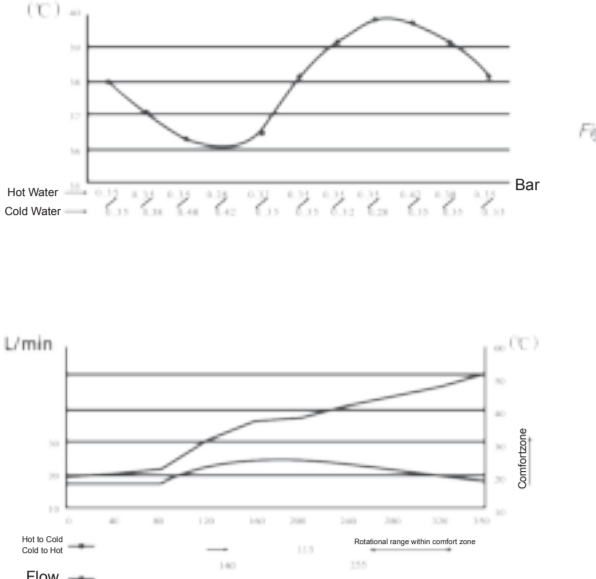


Constant temperature main item instruction for use



Model No.: AL-812X

Recommended pressure: 0.1-0.5MPa
 Cold water supply temperature: 8-29 °C
 Hot water supply temperature: 55-85 °C
 Outlet water temperature range: 20-50 °C
 Security step: 38 °C
 Cold water supply failure test within 5 seconds of cold water supply failure outflow rate 2200ml/min outflow rate 2000ml/min (at the outflow rate 2000ml/min, within 30 seconds)
 Outflow temperature Auto-aligning sensitivity:
 When inlet water temperature is constant and pressure varies by 20%, outlet water temperature change will be $\pm 2^{\circ}\text{C}$;
 When inlet water pressure is constant and hot water temperature varies from 5°C to 85 °C or cold water from 8 °C to 29 °C outlet water temperature change will be $\pm 2^{\circ}\text{C}$;
 The influence of water supply pressure on outflow temperature (see Fig.1)
 Flow rates (see Fig.1)
 Applicable standard: CSAB125-98, ASSE 1016, EN1111, AS4032.1, AS4032.2




EC REP

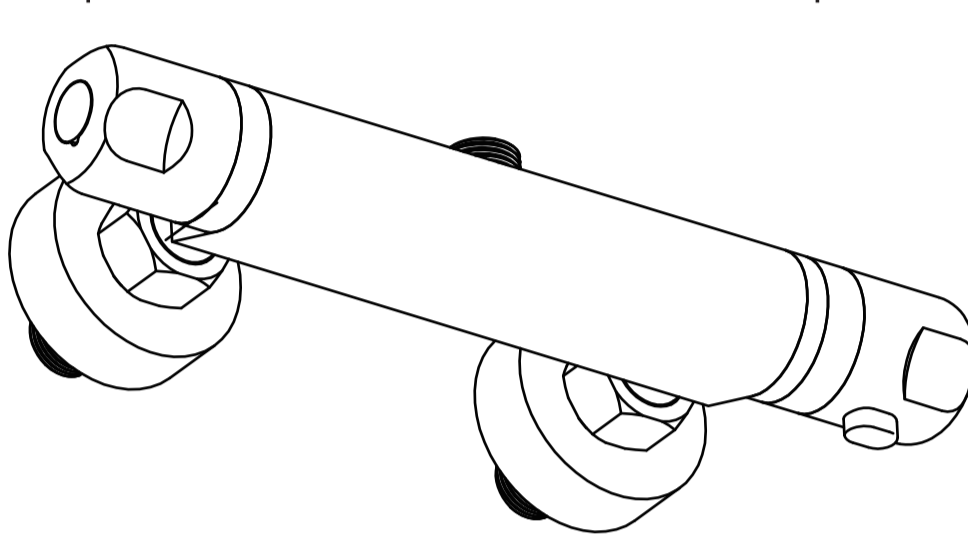
Firma: LHM INTERNATIONAL GMBH
 Kontakt: Herr Li
 Email: vertrieb@li-mi-international.de
 Adresse: Melitta-Schiller-Strasse 30, 12526 Berlin, Germany
 Manufacturer: SHENZHEN RBU TECHNOLOGY GROUP CO., LTD
 Address: 9 Teyngli Road, Longcheng Sub-District, Longgang District, Shenzhen, China
 Distributor: LHM INTERNATIONAL GMBH
 Address: Melitta-Schiller-Strasse 30, 12526 Berlin, Germany
 Distributor: OBERO INTERNATIONAL LIMITED
 Address: Unit 1, Kwei Park Commerce Way, Trafford Park, Manchester, M17 1HW, United Kingdom
 For more information please contact us at: service@uten.com

CE RoHS
 MADE IN CHINA

DE

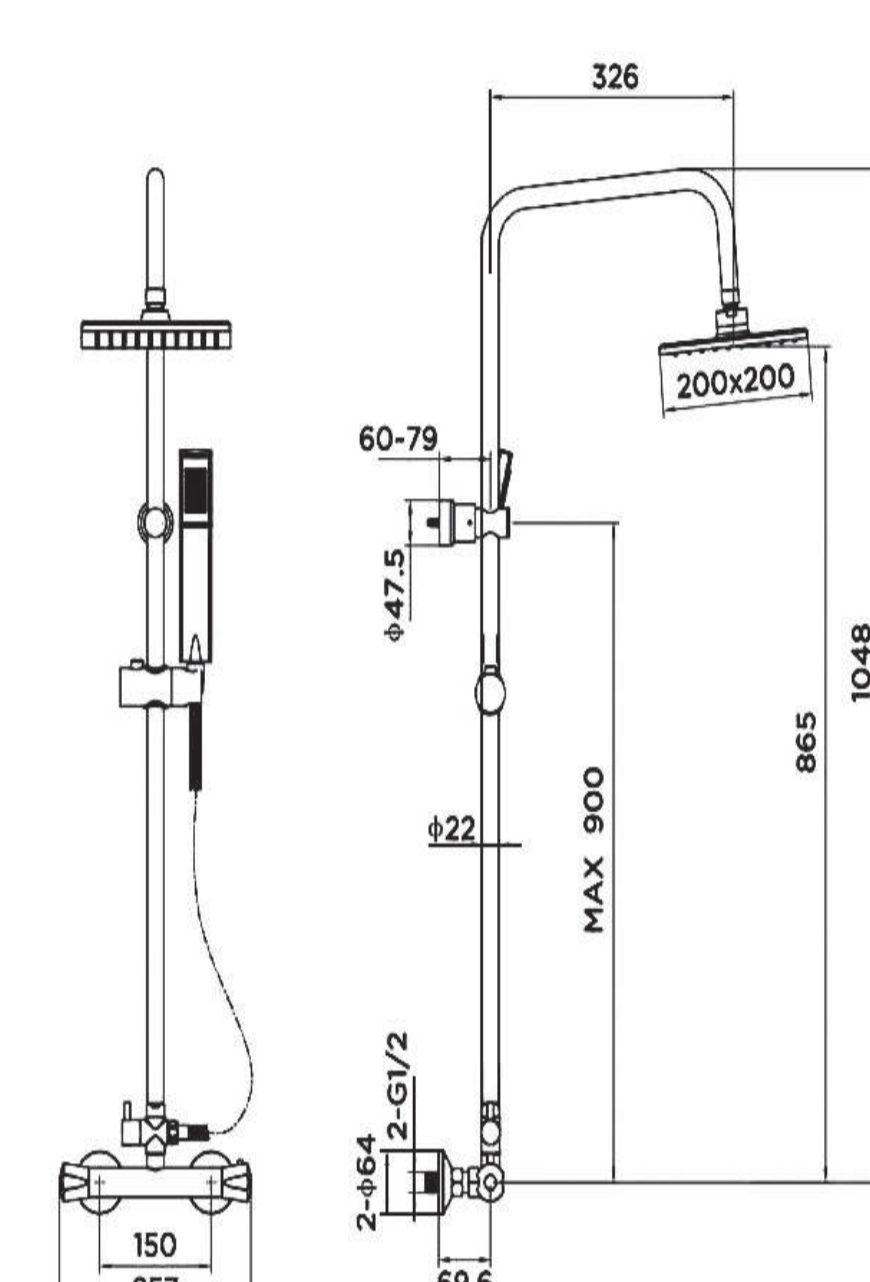
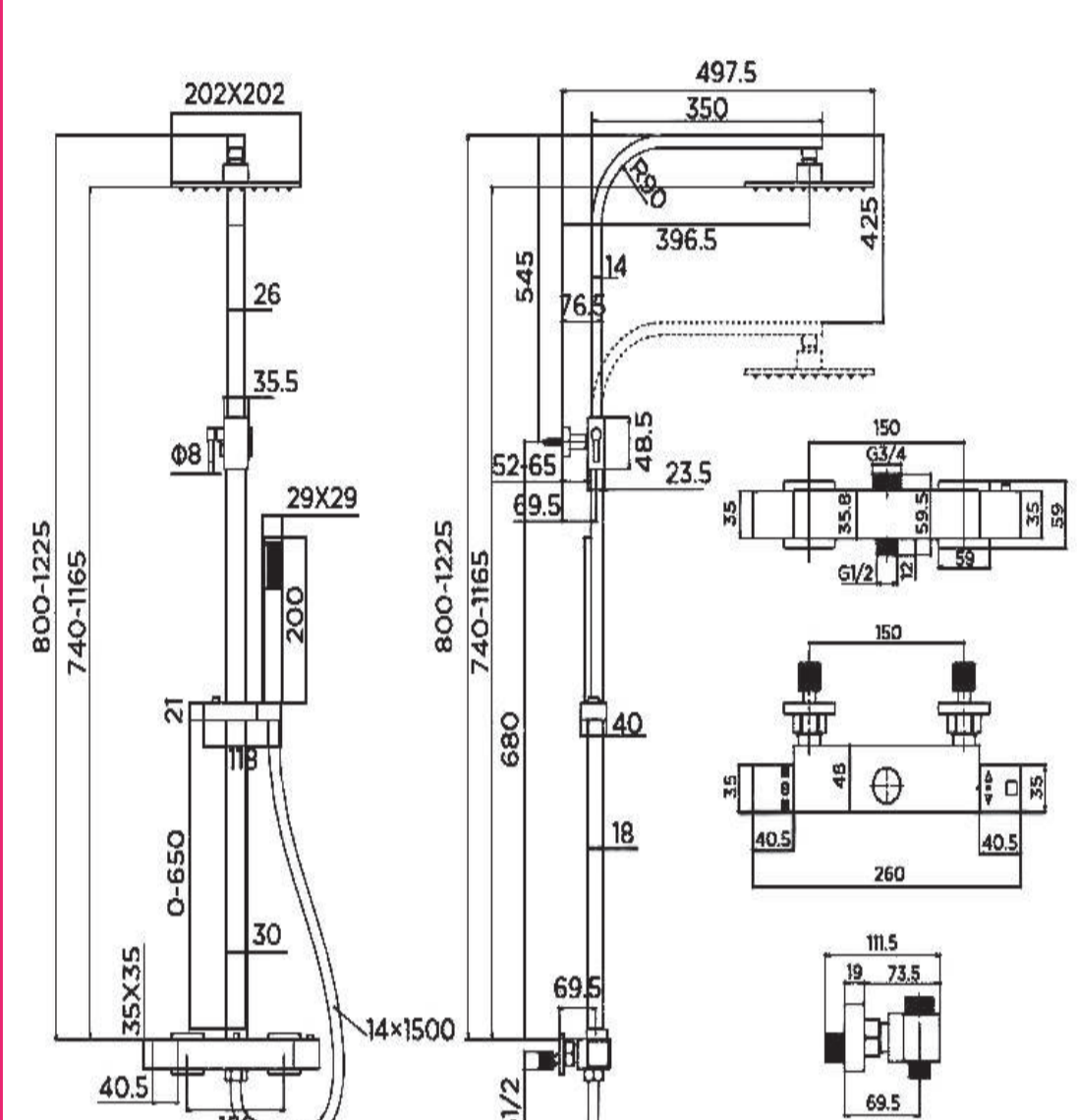
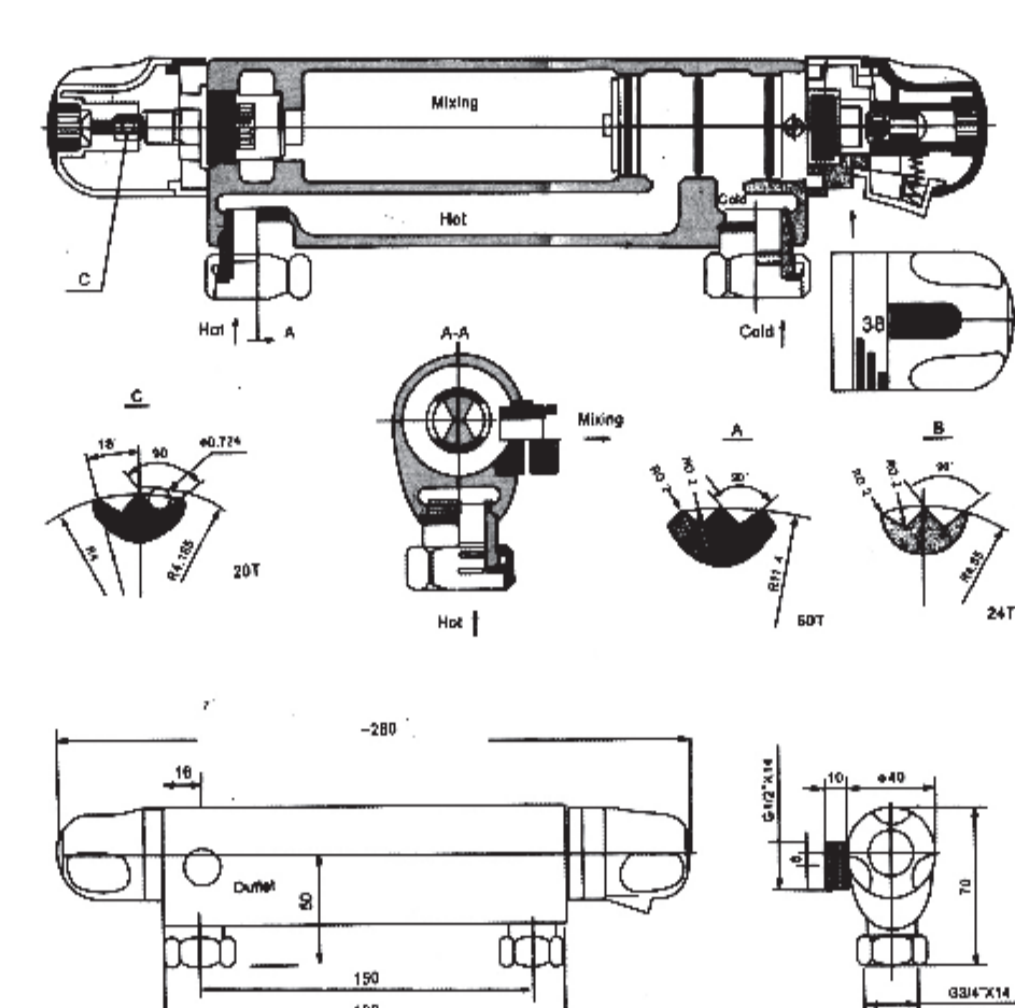
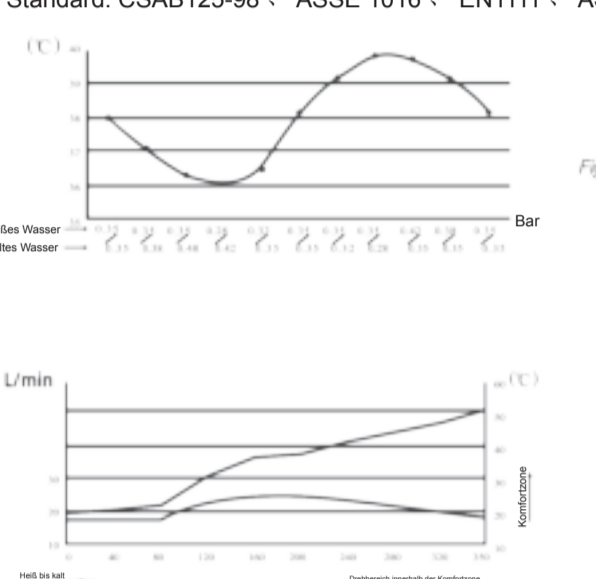


Gebrauchsanweisung für das Hauptelement mit konstanter Temperatur



Model No.: AL-812X

Empfohlener Druck: 0,1-0,5 MPa
 Kaltwasserversorgungstemperatur: 8-29 °C
 Warmwasserversorgungstemperatur: 55-85 °C
 Auslasswassertemperaturbereich: 20-50 °C
 Sicherheitsstopp: 38 °C
 Fehlerzeit der Kaltwasserversorgung innerhalb von 5 Sekunden nach Ausfall der Kaltwasserversorgung: Abflussrate 2200 ml/min (wenn die Abflussrate 2000 ml/min, innerhalb von 30 Sekunden)
 Ausflusstemperatur Empfindlichkeit für automatische Ausrichtung:
 Wenn die Einlasswassertemperatur konstant ist und der Druck um 20% variiert, beträgt die Änderung der Auslasswassertemperatur $\pm 2^{\circ}\text{C}$;
 Wenn der Einlasswasserdruck konstant ist und die Warmwassersstemperatur zwischen 55 °C und 85 °C oder das Kaltwasser zwischen 8 °C und 29 °C variiert, beträgt die Temperaturänderung des Auslasswassers $\pm 2^{\circ}\text{C}$;
 Der Einfluss des Wasserdruckes auf die Ausflusstemperatur (siehe Abb.1)
 Durchflussrate (siehe Abb.1)
 Anwendbarer Standard: CSAB125-98, ASSE 1016, EN1111, AS4032.1, AS4032.2




EC REP

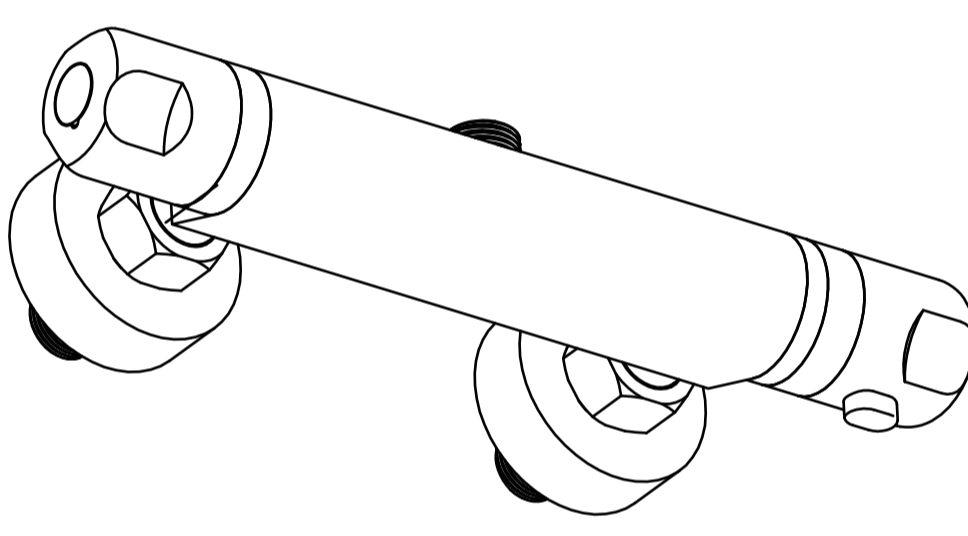
Firma: LHM INTERNATIONAL GMBH
 Kontakt: Herr Li
 Email: vertrieb@li-mi-international.de
 Adresse: Melitta-Schiller-Strasse 30, 12526 Berlin, Germany
 Manufacturer: SHENZHEN RBU TECHNOLOGY GROUP CO., LTD
 Address: 9 Teyngli Road, Longcheng Sub-District, Longgang District, Shenzhen, China
 Distributor: LHM INTERNATIONAL GMBH
 Address: Melitta-Schiller-Strasse 30, 12526 Berlin, Germany
 Distributor: OBERO INTERNATIONAL LIMITED
 Address: Unit 1, Kwei Park Commerce Way, Trafford Park, Manchester, M17 1HW, United Kingdom
 For more information please contact us at: service@uten.com

CE RoHS
 MADE IN CHINA

IT

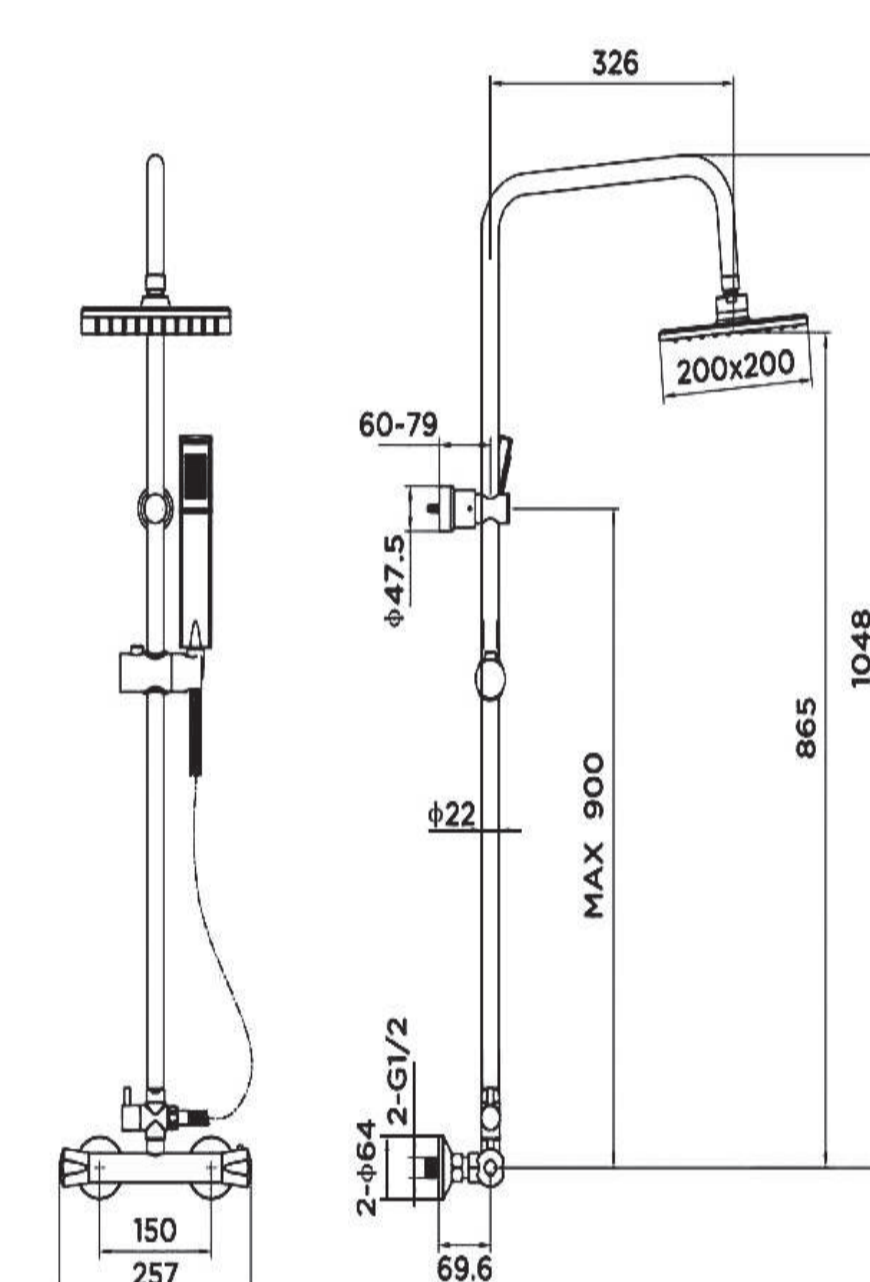
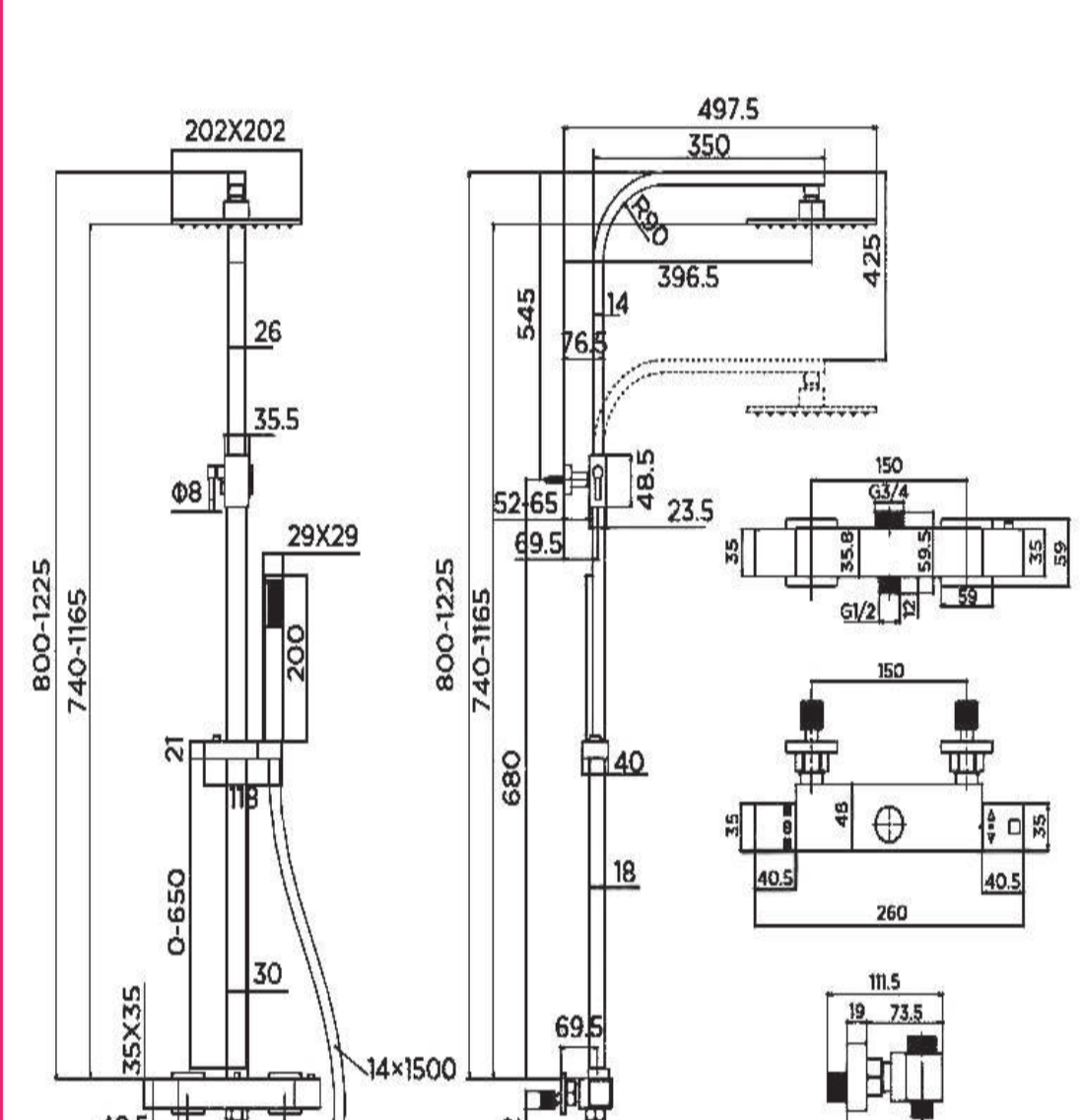
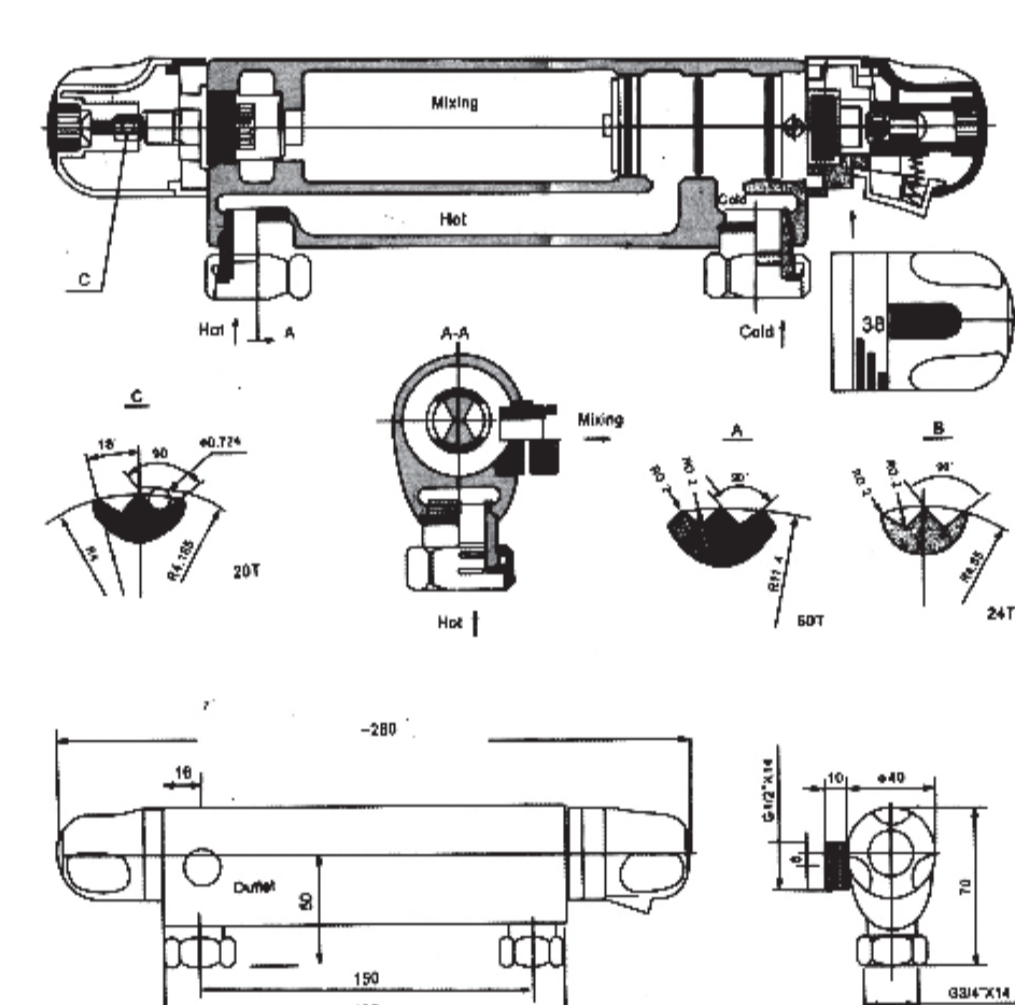
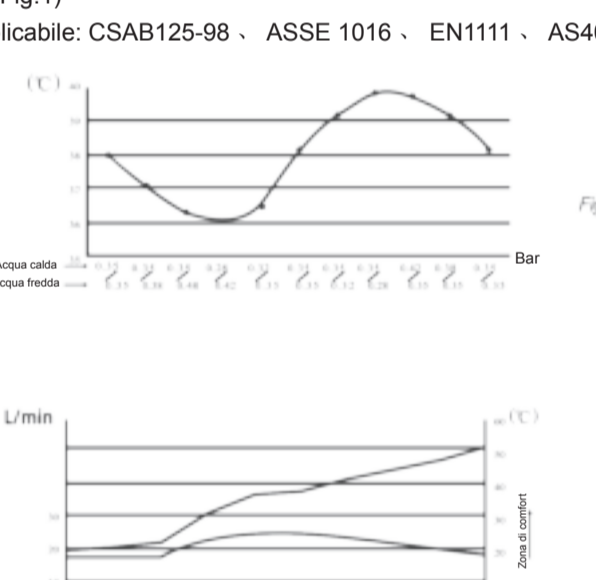


Istruzioni per l'uso dell'articolo principale a temperatura costante



Model No.: AL-812X

Pressione consigliata: 0,1-0,5 MPa
 Temperatura dell'acqua fredda: 8-29 °C
 Temperatura dell'acqua calda: 55-85 °C
 Intervallo di temperatura dell'acqua in uscita: 20-50 °C
 Fermanza di sicurezza: 38 °C
 Test di mancata fornitura di acqua fredda entro 5 secondi dal guasto di alimentazione di acqua fredda. Portata di uscita 2200 ml/min (con portata di uscita 2000 ml/min, temperatura di uscita 2000 ml/min, entro 30 secondi)
 Temperatura di uscita Sensibilità di allineamento automatico:
 Quando la temperatura dell'acqua in ingresso è costante e la pressione varia del 20%, la variazione della temperatura dell'acqua in uscita sarà di $\pm 2^{\circ}\text{C}$;
 Quando la pressione dell'acqua in ingresso è costante e la temperatura dell'acqua calda varia da 55 °C a 85 °C o dell'acqua fredda da 8 °C a 29 °C, la variazione della temperatura dell'acqua in ingresso sarà di $\pm 2^{\circ}\text{C}$;
 L'influenza della pressione di alimentazione dell'acqua sulla temperatura del deflusso (vedere Fig.1)
 Portata (vedi Fig.1)
 Standard applicabile: CSAB125-98, ASSE 1016, EN1111, AS4032.1, AS4032.2




EC REP

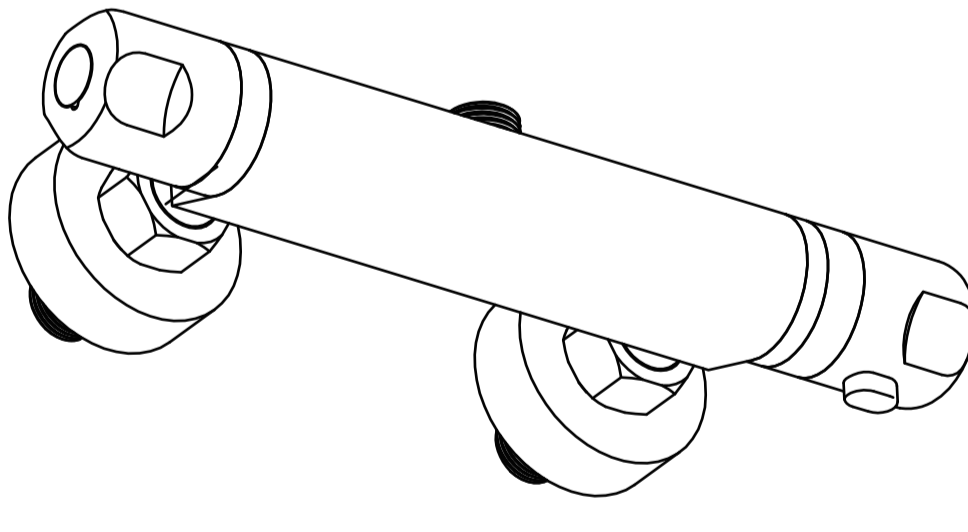
Firma: LHM INTERNATIONAL GMBH
 Kontakt: Herr Li
 Email: vertrieb@li-mi-international.de
 Adresse: Melitta-Schiller-Strasse 30, 12526 Berlin, Germany
 Manufacturer: SHENZHEN RBU TECHNOLOGY GROUP CO., LTD
 Address: 9 Teyngli Road, Longcheng Sub-District, Longgang District, Shenzhen, China
 Distributor: LHM INTERNATIONAL GMBH
 Address: Melitta-Schiller-Strasse 30, 12526 Berlin, Germany
 Distributor: OBERO INTERNATIONAL LIMITED
 Address: Unit 1, Kwei Park Commerce Way, Trafford Park, Manchester, M17 1HW, United Kingdom
 For more information please contact us at: service@uten.com

CE RoHS
 MADE IN CHINA

FR

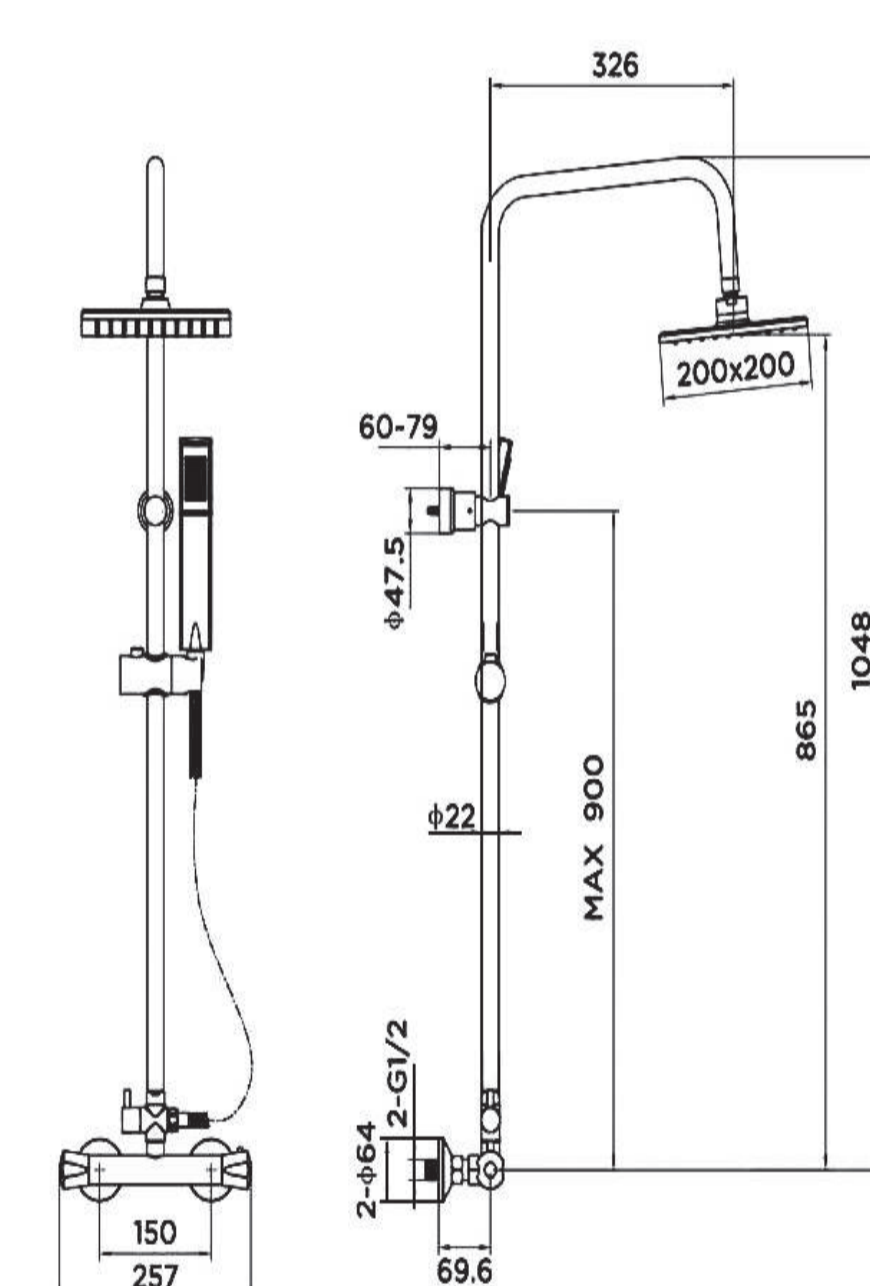
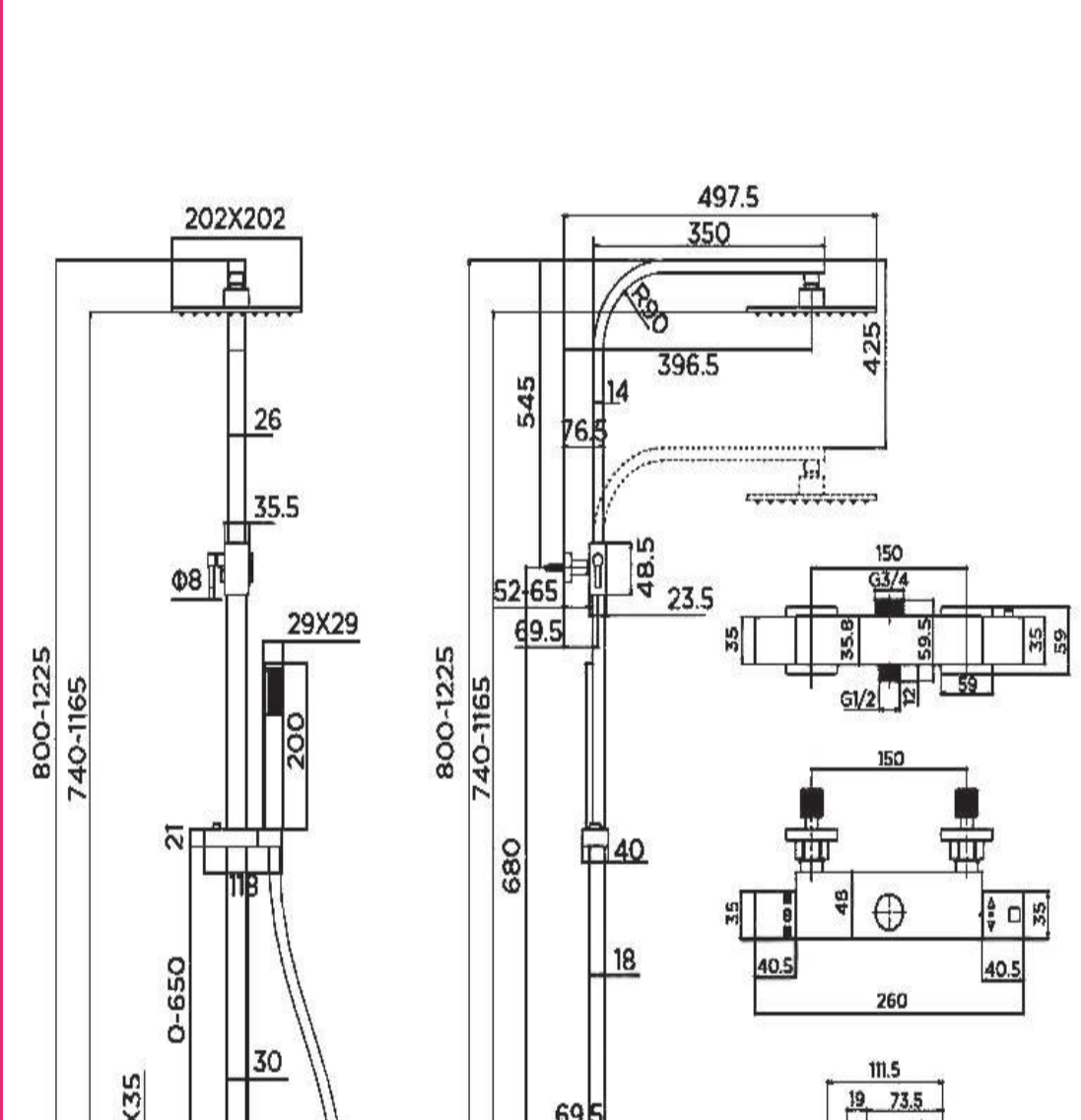
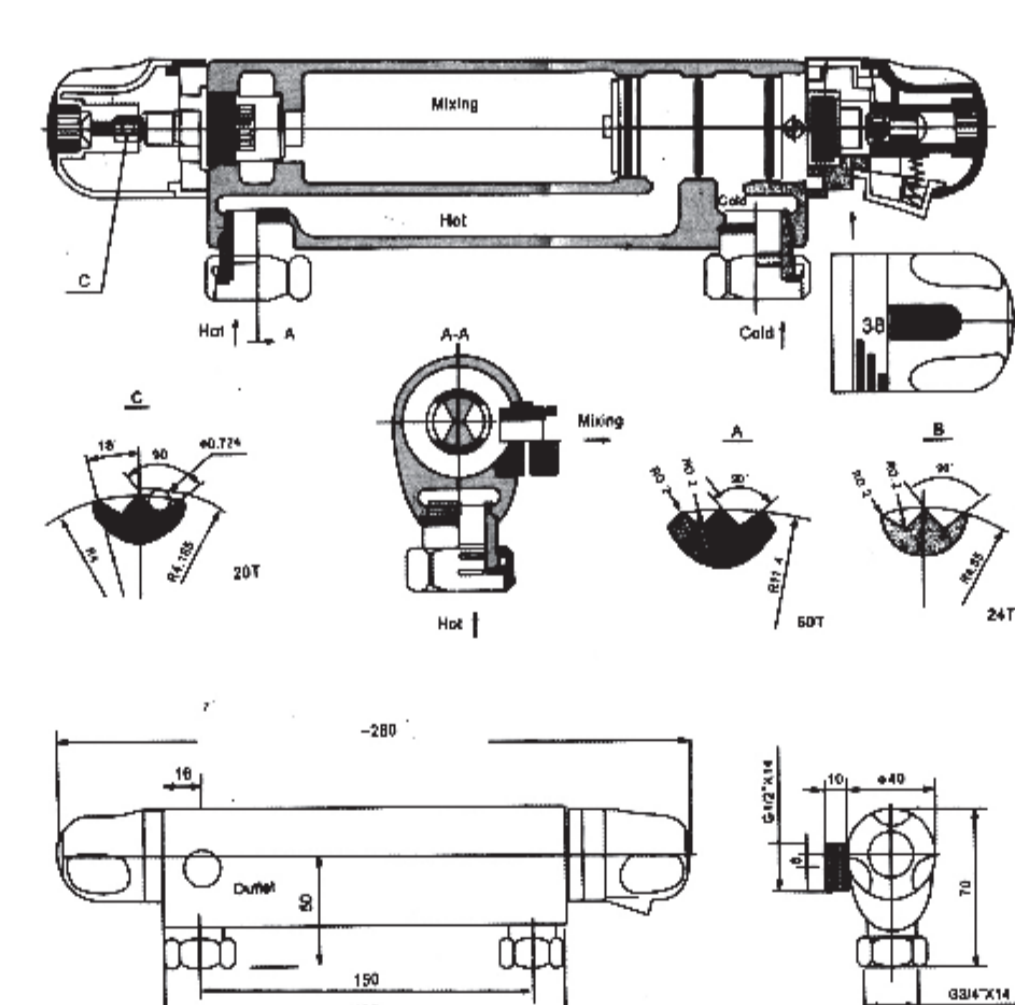
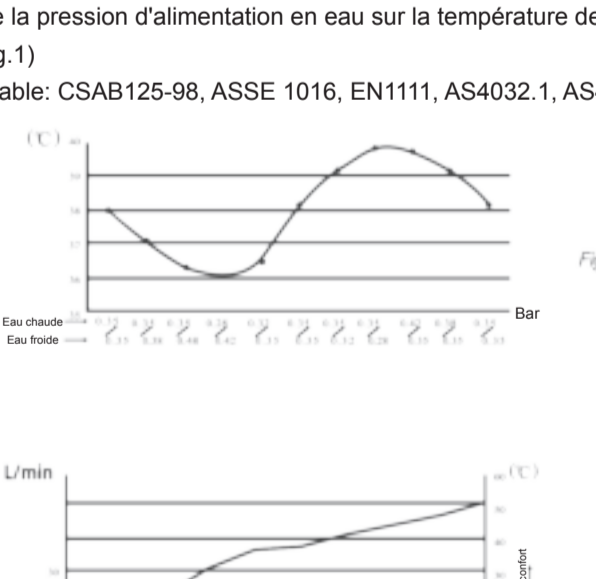


Instruction de l'article principal à température constante pour l'utilisation



Model No.: AL-812X

Pression recommandée: 0,1-0,5 MPa
 Température d'alimentation en eau froide: 8-29 °C
 Température d'alimentation en eau chaude: 55-85 °C
 Plage de température de l'eau de sortie: 20-50 °C
 Arrêt de sécurité: 38 °C
 Test de panne d'alimentation en eau froide dans les 5 secondes suivant une panne d'alimentation en eau froide. Débit de sortie 2200 ml/min (le débit de sortie 2000 ml/min, température de sortie 2000 ml/min, dans les 30 secondes)
 Température de sortie Sensibilité d'auto-alignement:
 Lorsque la température de l'eau d'entrée est constante et que la pression varie de 20%, le changement de température de l'eau de sortie sera de $\pm 2^{\circ}\text{C}$;
 Lorsque la pression de l'eau d'entrée est constante et que la température de l'eau chaude varie de 55 °C à 85 °C ou de l'eau froide de 8 °C à 29 °C, le changement de température de l'eau de sortie sera de $\pm 2^{\circ}\text{C}$;
 L'influence de la pression d'alimentation en eau sur la température de sortie (voir Fig.1)
 Débit (voir Fig.1)
 Norme applicable: CSAB125-98, ASSE 1016, EN1111, AS4032.1, AS4032.2




EC REP

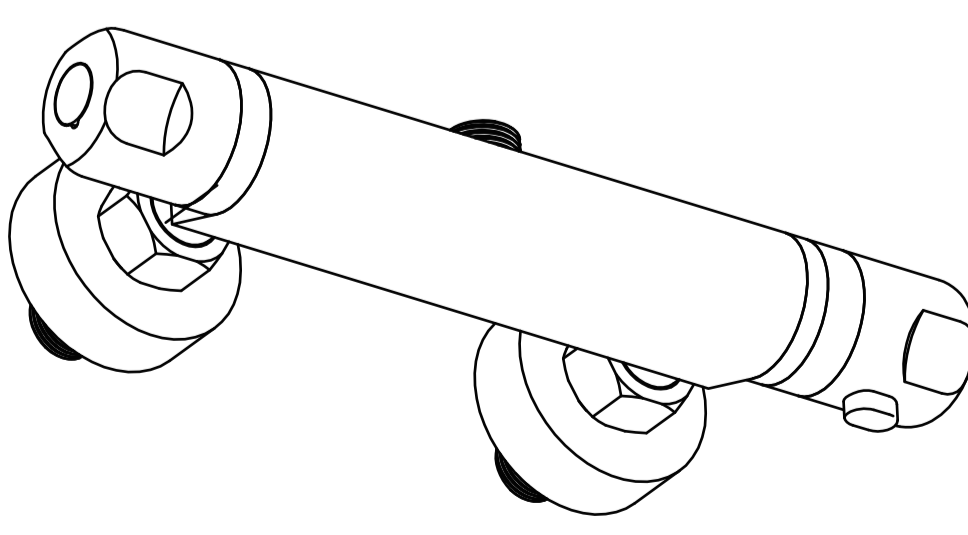
Firma: LHM INTERNATIONAL GMBH
 Kontakt: Herr Li
 Email: vertrieb@li-mi-international.de
 Adresse: Melitta-Schiller-Strasse 30, 12526 Berlin, Germany
 Manufacturer: SHENZHEN RBU TECHNOLOGY GROUP CO., LTD
 Address: 9 Teyngli Road, Longcheng Sub-District, Longgang District, Shenzhen, China
 Distributor: LHM INTERNATIONAL GMBH
 Address: Melitta-Schiller-Strasse 30, 12526 Berlin, Germany
 Distributor: OBERO INTERNATIONAL LIMITED
 Address: Unit 1, Kwei Park Commerce Way, Trafford Park, Manchester, M17 1HW, United Kingdom
 For more information please contact us at: service@uten.com

CE RoHS
 MADE IN CHINA

ES

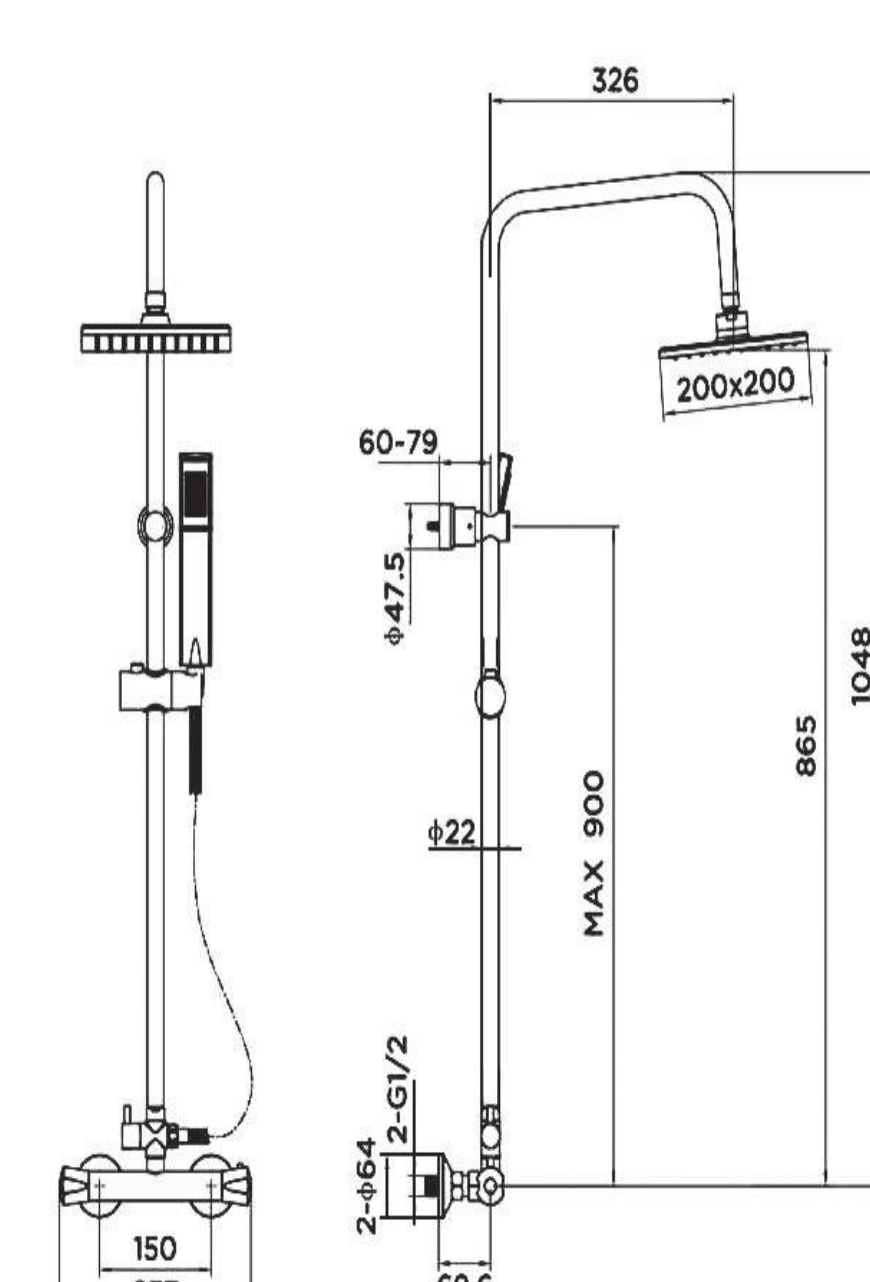
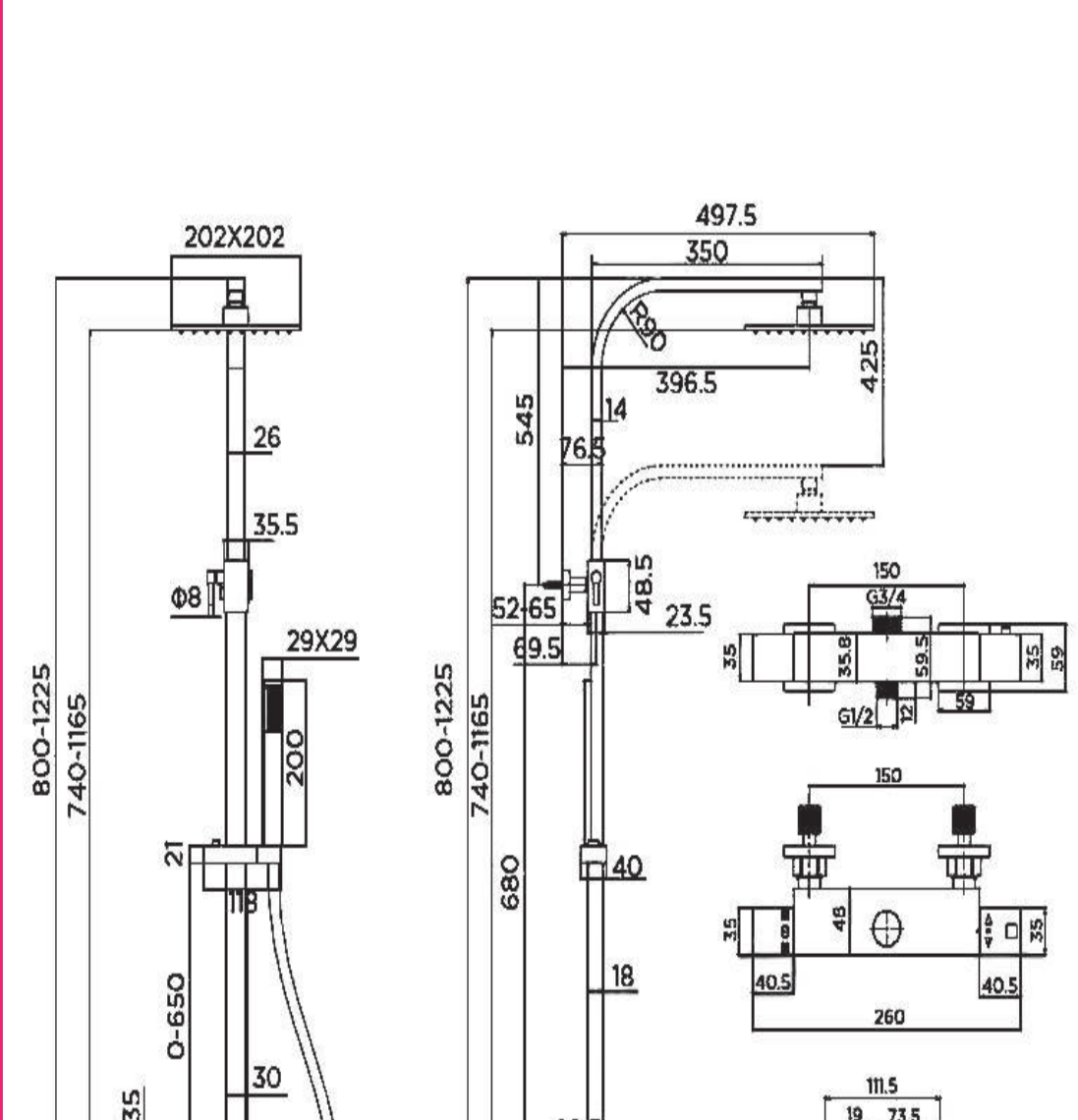
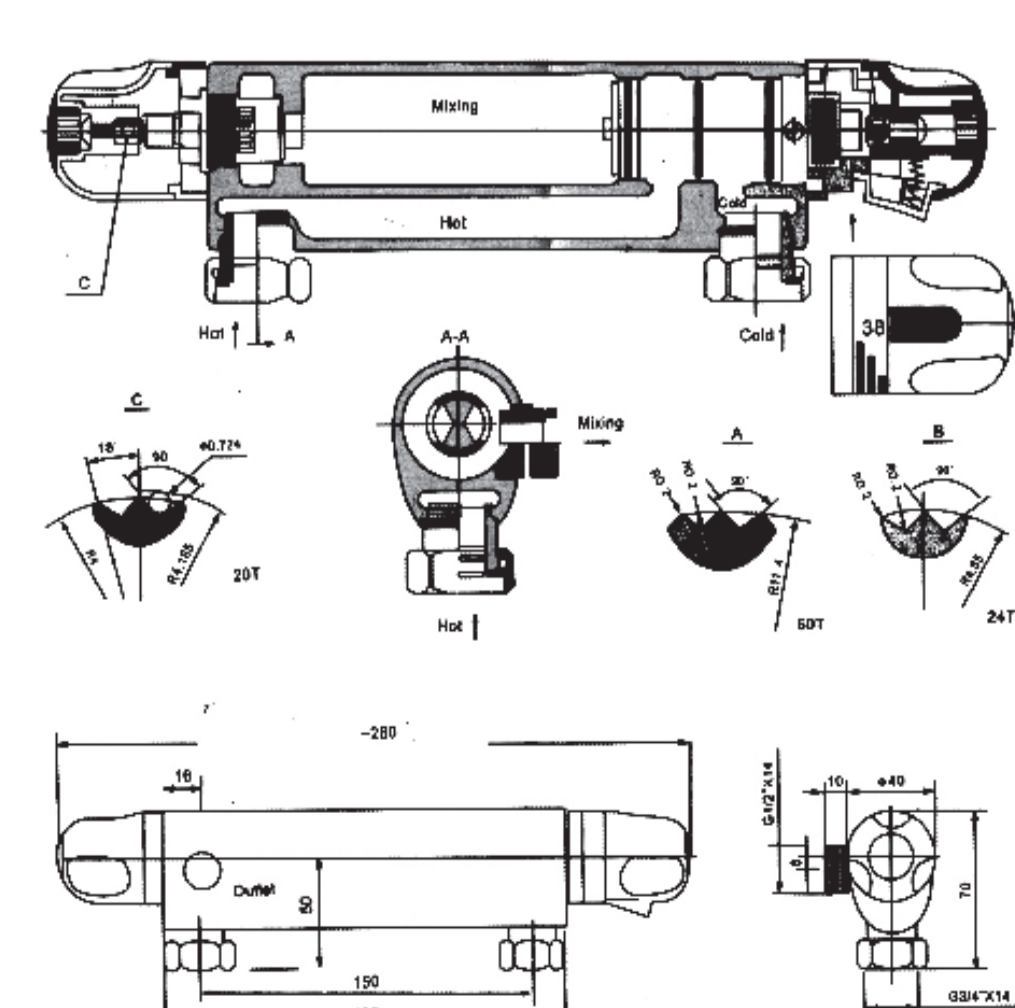
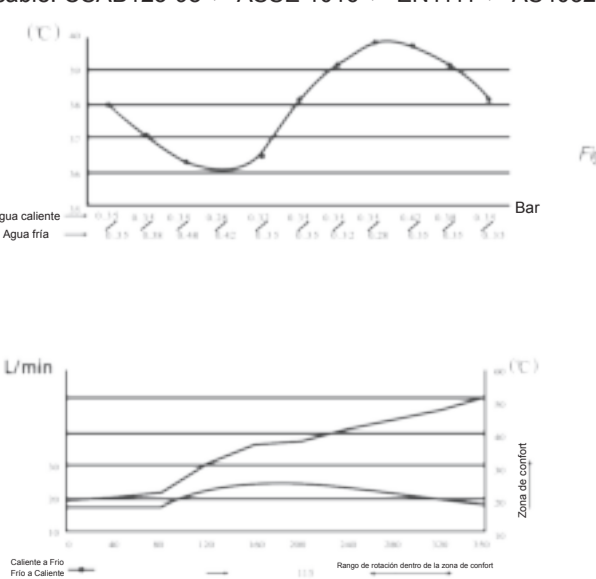


Instrucción de uso del elemento principal de temperatura constante



Model No.: AL-812X

Presión recomendada: 0,1-0,5 MPa
 Temperatura de suministro de agua fría: 8-29 °C
 Temperatura de suministro de agua caliente: 55-85 °C
 Rango de temperatura del agua de salida: 20-50 °C
 Parada de seguridad: 38 °C
 Prueba de falta de suministro de agua fría dentro de los 5 segundos de falta del suministro de agua fría. Tasa de salida 2200ml/min (la tasa de salida 2000ml/min, temperatura de salida 2000ml/min, dentro de 30 segundos)
 Temperatura de salida Sensibilidad de alineación automática:
 Cuando la temperatura del agua de entrada es constante y la presión varía en un 20%, el cambio de temperatura del agua de salida será de $\pm 2^{\circ}\text{C}$;
 Cuando la presión del agua de entrada es constante y la temperatura del agua caliente varía de 55 °C a 85 °C o el agua fría de 8 °C a 29 °C, el cambio de temperatura del agua de entrada será de $\pm 2^{\circ}\text{C}$;
 La influencia de la presión del suministro de agua en la temperatura de salida (ver Fig.1)
 Tasa de flujo (ver Fig.1)
 Especificación aplicable: CSAB125-98, ASSE 1016, EN1111, AS4032.1, AS4032.2



EC REP

Firma: LHM INTERNATIONAL GMBH
 Kontakt: Herr Li
 Email: vertrieb@li-mi-international.de
 Adresse: Melitta-Schiller-Strasse 30, 12526 Berlin, Germany
 Manufacturer: SHENZHEN RBU TECHNOLOGY GROUP CO., LTD
 Address: 9 Teyngli Road, Longcheng Sub-District, Longgang District, Shenzhen, China
 Distributor: LHM INTERNATIONAL GMBH
 Address: Melitta-Schiller-Strasse 30, 12526 Berlin, Germany
 Distributor: OBERO INTERNATIONAL LIMITED
 Address: Unit 1, Kwei Park Commerce Way, Trafford Park, Manchester, M17 1HW, United Kingdom
 For more information please contact us at: service@uten.com

CE RoHS
 MADE IN CHINA