



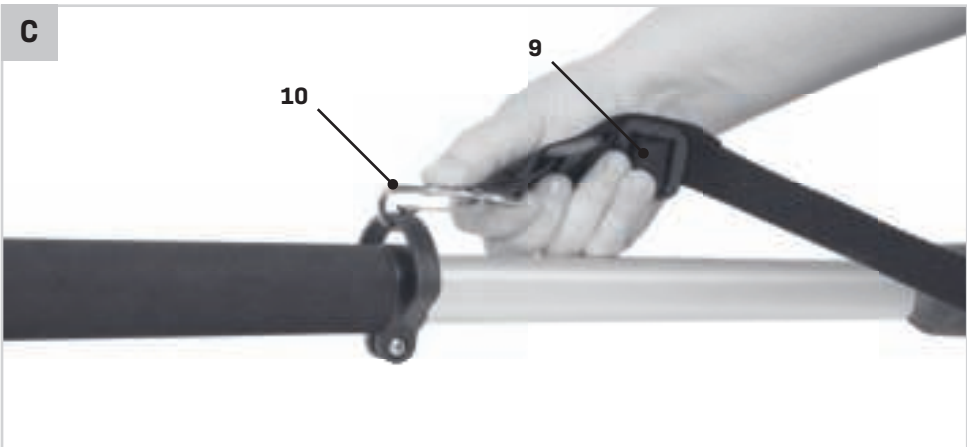
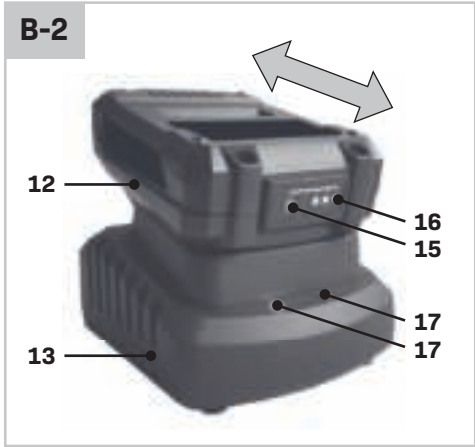
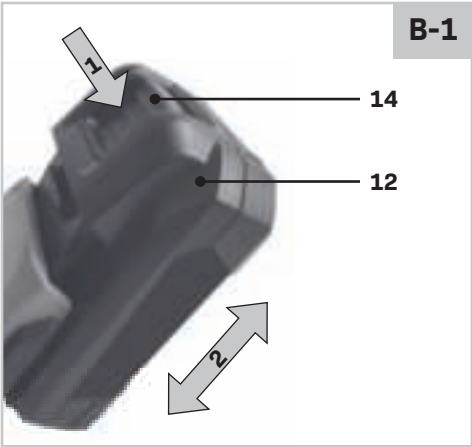
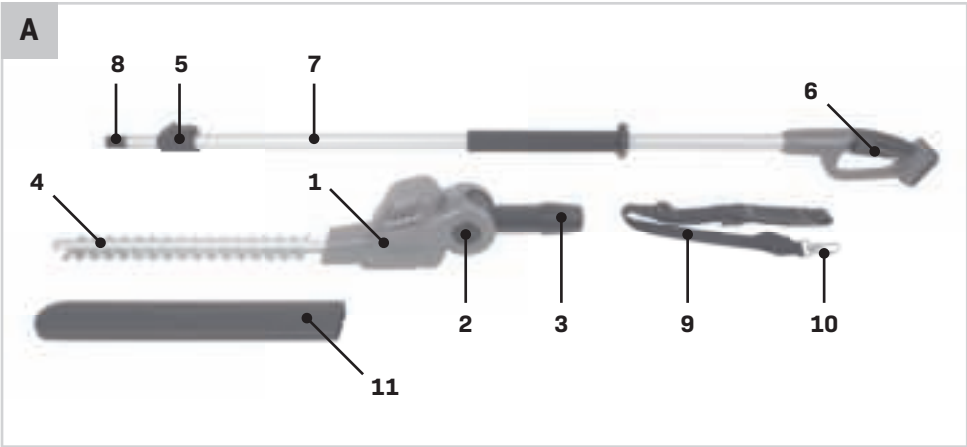
VONROC®

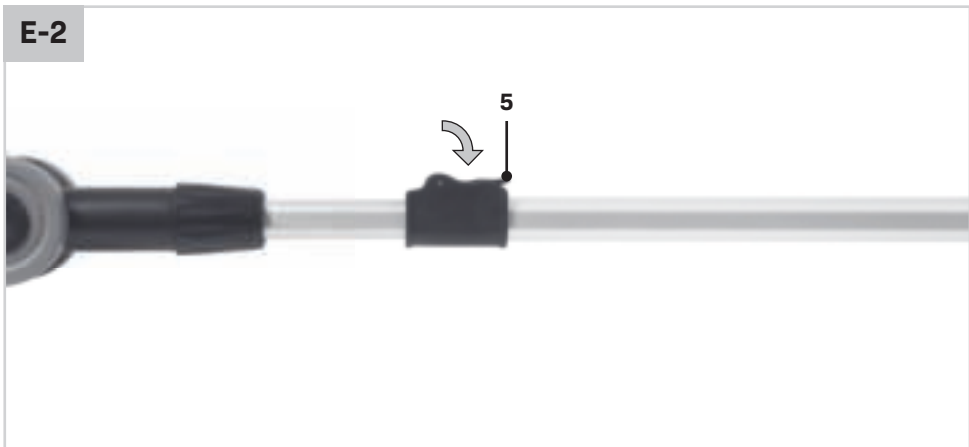
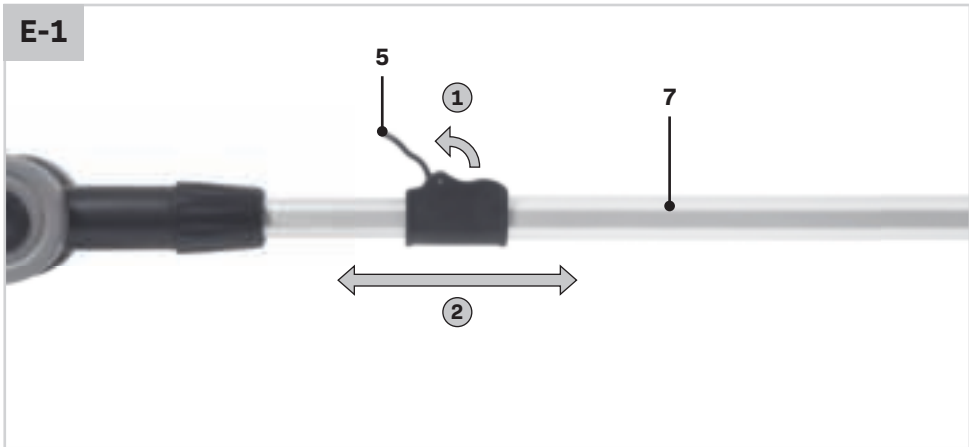
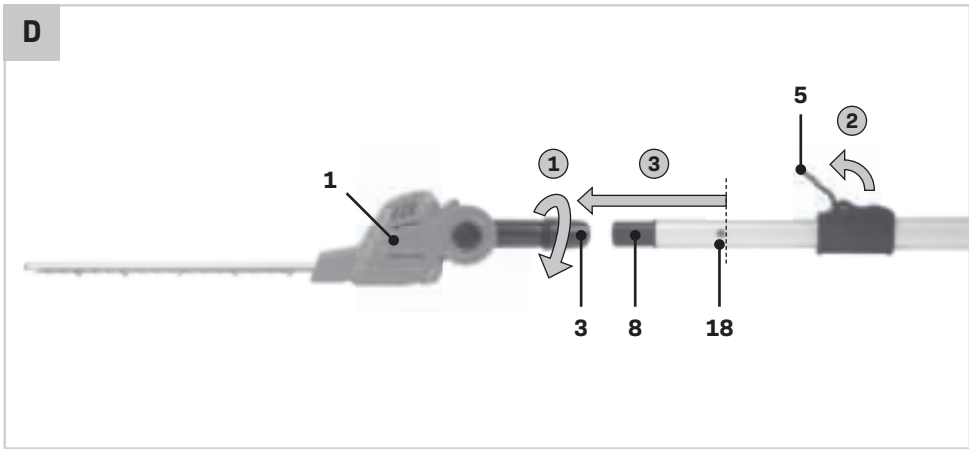
BUILD YOUR FUTURE

TELESCOPIC HEDGE TRIMMER HT503DC / S_HT503DC S2_HT503DC / S3_HT503DC

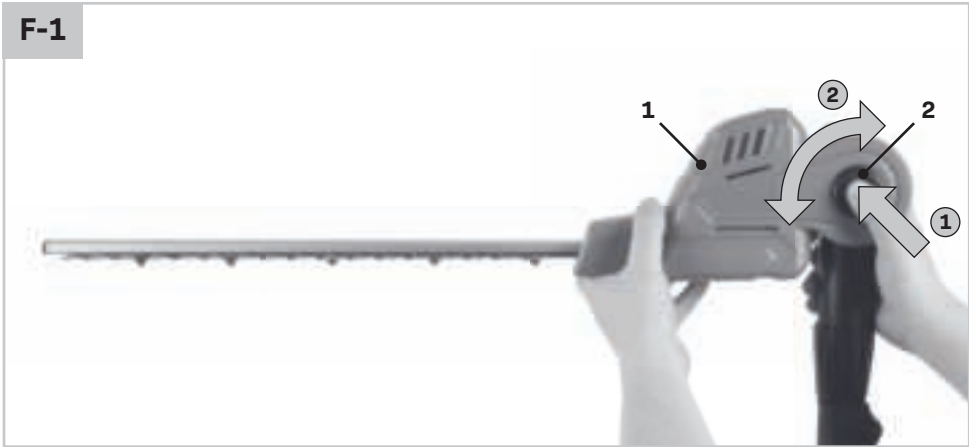


EN Original Instructions	06	HU Eredeti használati utasítás fordítása	111
DE Übersetzung Der Originalbetriebsanleitung	13	CS Překlad původního návodu k používání	119
NL Vertaling van de oorspronkelijke gebruiksaanwijzing	22	TR Orijinal Talimatlar	127
FR Traduction de la notice originale	30		
ES Traducción del manual original	39		
IT Traduzione delle istruzioni originali	47		
SV Översättning av bruksanvisning i original	56		
FI Alkuperäiset ohjeet	63		
NO Originale Instruksjoner	71		
DA Oversættelse af den originale brugsanvisning	78		
PL Tłumaczenie instrukcji oryginalnej	86		
RO Traducere a instrucțiunilor originale	94		
PT Tradução do manual original	102		



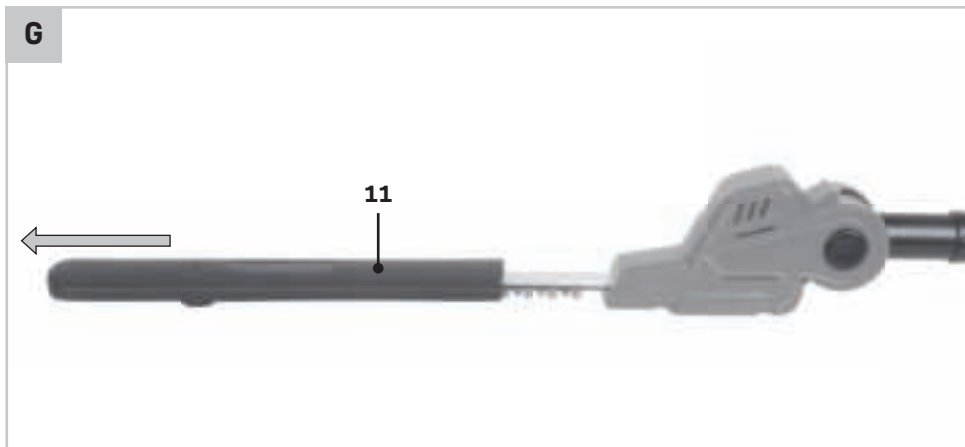


F-1



F-2





1. SAFETY INSTRUCTIONS

Read the enclosed safety warnings, the additional safety warnings and the instructions. Failure to follow the safety warnings and the instructions may result in electric shock, fire and/or serious injury. Save the safety warnings and the instructions for future reference.

The following symbols are used in the user manual or on the product:



Read the user manual.



Denotes risk of personal injury, loss of life or damage to the tool in case of non-observance of the instructions in this manual.



Risk of electric shock.



Max 45°C

Max temperature 45°C.



Do not throw the battery into fire.



Do not throw the battery into water.



Wear head protection.



Wear safety goggles.



Do not expose to rain.



Keep hands away from blade.



Beware of thrown objects. Keep bystanders away.



Beware of thrown objects. Keep bystanders away.



Keep product away from high-voltage lines!
Minimum distance 10 meters.



Keep product away from high-voltage lines!
Minimum distance 10 meters.



Class II machine - Double insulation -
You don't need any earthed plug.



Time-lag miniature fuse-link.



Separate collection for Li-ion battery.



Do not dispose of the product in unsuitable containers.



The product is in accordance with the applicable safety standards in the European directives.

GENERAL POWER TOOL SAFETY WARNINGS



WARNING! Read all safety warnings and all instructions. Failure to follow the warnings and instructions may result in electric shock, fire and/or serious injury.

Save all warnings and instructions for future reference.

The term "power tool" in the warnings refers to your mains-operated (corded) power tool or battery-operated (cordless) power tool.

1) Work area safety

- Keep the work area clean and well lit.** Cluttered or dark areas invite accidents.
- Do not operate power tools in explosive atmospheres, such as in the presence of flammable liquids, gases or dust.** Power tools create sparks which may ignite the dust or fumes.
- Keep children and bystanders away while operating a power tool.** Distractions can cause you to lose control.

2) Electrical safety

- Power tool plugs must match the outlet. Never modify the plug in any way. Do not use any adapter plugs with earthed (grounded) power tools.** Unmodified plugs and matching outlets will reduce risk of electric shock.
- Avoid body contact with earthed or grounded surfaces, such as pipes, radiators, ranges and refrigerators.** There is an increased risk of electric shock if your body is earthed or grounded.
- Do not expose power tools to rain or wet conditions.** Water entering a power tool will increase the risk of electric shock.
- Do not abuse the cord. Never use the cord for carrying, pulling or unplugging the power tool. Keep cord away from heat, oil, sharp edges or moving parts.** Damaged or entangled cords increase the risk of electric shock.
- When operating a power tool outdoors, use an extension cord suitable for outdoor use.** Use of a cord suitable for outdoor use reduces the risk of electric shock.
- If operating a power tool in a damp location is unavoidable, use a residual current device**

(RCD) protected supply. Use of an RCD reduces the risk of electric shock.

3) Personal safety

- a) **Stay alert, watch what you are doing and use common sense when operating a power tool. Do not use a power tool while you are tired or under the influence of drugs, alcohol or medication.** A moment of inattention while operating power tools may result in serious personal injury.
 - b) **Use personal protective equipment. Always wear eye protection.** Protective equipment such as dust mask, non-skid safety shoes, hard hat, or hearing protection used for appropriate conditions will reduce personal injuries.
 - c) **Prevent unintentional starting. Ensure the switch is in the off-position before connecting to power source and/or battery pack, picking up or carrying the tool.** Carrying power tools with your finger on the switch or energising power tools that have the switch on invites accidents.
 - d) **Remove any adjusting key or wrench before turning the power tool on.** A wrench or a key left attached to a rotating part of the power tool may result in personal injury.
 - e) **Do not overreach. Keep proper footing and balance at all times.** This enables better control of the power tool in unexpected situations.
 - f) **Dress properly. Do not wear loose clothing or jewellery. Keep your hair, clothing and gloves away from moving parts.** Loose clothes, jewellery or long hair can be caught in moving parts.
 - g) **If devices are provided for the connection of dust extraction and collection facilities, ensure these are connected and properly used.** Use of dust collection can reduce dust related hazards.
 - h) **Do not let familiarity gained from frequent use of tools allow you to become complacent and ignore tool safety principles.** A careless action can cause severe injury within a fraction of a second.
- ### 4) Power tool use and care
- a) **Do not force the power tool. Use the correct power tool for your application.** The correct power tool will do the job better and safer at the rate for which it was designed.
 - b) **Do not use the power tool if the switch does not turn it on and off.** Any power tool that cannot be controlled with the switch is dangerous and must be repaired.
 - c) **Disconnect the plug from the power source and/or the battery pack from the power tool before making any adjustments, changing accessories, or storing power tools.** Such preventive safety measures reduce the risk of starting the power tool accidentally.
 - d) **Store idle power tools out of the reach of children and do not allow persons unfamiliar with the power tool or these instructions to operate the power tool.** Power tools are dangerous in the hands of untrained users.
 - e) **Maintain power tools. Check for misalignment or binding of moving parts, breakage of parts and any other condition that may affect the power tool's operation. If damaged, have the power tool repaired before use.** Many accidents are caused by poorly maintained power tools.
 - f) **Keep cutting tools sharp and clean.** Properly maintained cutting tools with sharp cutting edges are less likely to bind and are easier to control.
 - g) **Use the power tool, accessories and tool bits etc. in accordance with these instructions, taking into account the working conditions and the work to be performed.** Use of the power tool for operations different from those intended could result in a hazardous situation.
 - h) **Keep handles and grasping surfaces dry, clean and free from oil and grease.** Slippery handles and grasping surfaces do not allow for safe handling and control of the tool in unexpected situations.
- ### 5) Battery tool use and care
- a) **Recharge only with the charger specified by the manufacturer.** A charger that is suitable for one type of battery pack may create a risk of fire when used with another battery pack.
 - b) **Use power tools only with specifically designed battery packs.** Use of any other battery packs may create a risk of injury and fire.
 - c) **When battery pack is not in use, keep it away from other metal objects, like paper clips, coins, keys, nails, screws or other small metal objects that can make a connection from one terminal to another.** Shorting the battery terminals together may cause burns or a fire.
 - d) **Under abusive conditions, liquid may be ejected from the battery; avoid contact. If contact accidentally occurs, flush with water. If liquid contacts eyes, additionally seek medical help.**

Liquid ejected from the battery may cause irritation or burns.

- e) **Do not use a battery pack or tool that is damaged or modified.** Damaged or modified batteries may exhibit unpredictable behaviour resulting in fire, explosion or risk of injury.
 - f) **Do not expose a battery pack or tool to fire or excessive temperature.** Exposure to fire or temperature above 130 °C may cause explosion. NOTE The temperature „130 °C“ can be replaced by the temperature „265 °F“.
 - g) **Follow all charging instructions and do not charge the battery pack or tool outside the temperature range specified in the instructions.** Charging improperly or at temperatures outside the specified range may damage the battery and increase the risk of fire.
- 6) Service**
- a) **Have your power tool serviced by a qualified repair person using only identical replacement parts.** This will ensure that the safety of the power tool is maintained.
 - b) **Never service damaged battery packs.** Service of battery packs should only be performed by the manufacturer or authorized service providers.

HEDGE TRIMMER SAFETY WARNINGS

- a) **Keep all parts of the body away from the blade. Do not remove cut material or hold material to be cut when blades are moving.** Blades continue to move after the switch is turned off. A moment of inattention while operating the hedge trimmer may result in serious personal injury.
- b) **Carry the hedge trimmer by the handle with the blade stopped and taking care not to operate any power switch.** Proper carrying of the hedge trimmer will decrease the risk of inadvertent starting and resultant personal injury from the blades.
- c) **When transporting or storing the hedge trimmer, always fit the blade cover.** Proper handling of the hedge trimmer will decrease the risk of personal injury from the blades.
- d) **When clearing jammed material or servicing the unit, make sure all power switches are off and the battery pack is removed or disconnected.** Unexpected actuation of the hedge trimmer while clearing jammed material or servicing may result in serious personal injury.

- e) **Hold the hedge trimmer by insulated gripping surfaces only, because the blade may contact hidden wiring.** Blades contacting a "live" wire may make exposed metal parts of the hedge trimmer "live" and could give the operator an electric shock.
- f) **Keep all power cords and cables away from cutting area.** Power cords or cables may be hidden in hedges or bushes and can be accidentally cut by the blade.
- g) **Do not use the hedge trimmer in bad weather conditions, especially when there is a risk of lightning.** This decreases the risk of being struck by lightning.

EXTENDED-REACH HEDGE TRIMMER SAFETY WARNINGS

- a) **To reduce the risk of electrocution, never use the extended-reach hedge trimmer near any electrical power lines.** Contact with or use near power lines may cause serious injury or electric shock resulting in death.
- b) **Always use two hands when operating the extended-reach hedge trimmer.** Hold the extended-reach hedge trimmer with both hands to avoid loss of control.
- c) **Always use head protection when operating the extended-reach hedge trimmer overhead.** Falling debris can result in serious personal injury.

ADDITIONAL SAFETY WARNINGS

- a) **This tool is not intended for use by persons (including children) with reduced physical, sensory or mental capabilities, or lack of experience and knowledge,** unless they have been given supervision or instruction concerning use of the appliance by a person responsible for their safety. Children should be supervised to ensure that they do not play with the appliance.
- b) **When working with the machine, always hold it firmly with both hands and provide for a secure stance.** The power tool is guided more secure with both hands.
- c) **Always ensure all handles and guards are fitted when using the machine.** Never attempt to use an incomplete machine or one fitted with an unauthorized modification.
- d) **Always lubricate the cutting blade with protective spray before use.**
- e) **Always wait until the machine has come to a complete stop before placing it down.**

- f) **Other persons and animals should remain at a distance of 3 meters or more when the machine is being used.** The operator is responsible for third persons in the working area.
- g) **Never grasp the blade of the hedge trimmer.**
- h) **Children or persons unfamiliar with these instructions must not operate the hedge trimmer.** Local regulations may restrict the age of the operator.
- i) **Never cut a hedge while people, especially children or pets, are nearby.**
- j) **The user is responsible for accidents or hazards occurring to other people or their property.**
- k) **Do not operate the hedge trimmer when barefoot or wearing open sandals, always wear substantial footwear and long trousers.** The use of sturdy gloves, non-skid footwear and safety glasses is recommended. Do not wear loose clothing or jewelry which can be caught in moving parts.
- l) **Thoroughly inspect the area where the hedge trimmer is to be used and remove all wires and other foreign objects.**
- m) **Prior to operation, check cutter blades, blade bolts and cutter assembly for wear or damage.** Do not operate with a damaged or excessively worn cutting device.
- n) **Know how to stop the hedge trimmer quickly in an emergency.**
- o) **Cut a hedge only in daylight or in good artificial light.**
- p) **Never operate the hedge trimmer with defective guards or without the guard in place.**
- q) **Never hold the hedge trimmer by the guard.**
- r) **When operating the hedge trimmer, ensure to keep proper footing and balance at all times.**
- s) **Always be aware of your surroundings and stay alert for possible hazards that you may not hear whilst operating the hedge trimmer.**
- t) **Keep all nuts, bolts and screws tight to ensure that the hedge trimmer is always in a safe working condition.**
- u) **The hedge trimmer should be stored in a dry, high or locked up place out of the reach of children.**
- v) **Replace worn or damaged parts for safety.**
- w) **Do not attempt to repair the machine unless you are qualified to do so.**
- x) **Hold the product securely with both hands.**

SAFETY WARNINGS FOR BATTERY

- a) **Do not open the battery.** Danger of short-circuiting.
- b) **Protect the battery against heat, e. g., against continuous intense sunlight, fire, water, and moisture.** Danger of explosion.
- c) **In case of damage and improper use of the battery, vapours may be emitted. Ventilate the area and seek medical help in case of complaints.** The vapours can irritate the respiratory system.
- d) **Use the battery only in conjunction with your Vonroc product.** This measure alone protects the battery against dangerous overload.
- e) **The battery can be damaged by pointed objects such as nails or screwdrivers or by force applied externally.** An internal short circuit can occur and the battery can burn, smoke, explode or overheat.

SAFETY WARNINGS FOR CHARGER

Intended use

Charge only CD801AA and CD803AA type rechargeable Battery packs with the charger. Other types of batteries may burst causing personal injury and damage.

- a) **The appliance is not to be used by persons (including children) with reduced physical, sensory or mental capabilities, or lack of experience and knowledge, unless they have been given supervision or instruction.**
- b) **Children being supervised not to play with the appliance.**
- c) **Do not recharging non-rechargeable batteries!**
- d) **During charging, batteries must be placed in the well ventilated area!**

Electrical safety



Always check that the voltage of the power supply corresponds to the voltage on the rating plate.

- Do not use the machine if the mains cable or the mains plug is damaged.
- Only use extension cables that are suitable for the power rating of the machine with a minimum thickness of 1.5 mm². If you use an extension cable reel, always fully unroll the cable.

2. MACHINE INFORMATION

Intended use

The machine is intended for domestic use, for cutting and trimming hedges and bushes at elevated height, while the user is situated on the ground. The machine is not intended to be used on a ladder or steps. The machine is not designed to cut grass and cannot be used as a grass trimmer. This tool is not intended for commercial or industrial use.

TECHNICAL SPECIFICATIONS



This manual has been drawn up for different sets / article numbers. Check the corresponding article number in below specifications table for the correct composition and contents of your set.

Model No.	Batteries included	Chargers included
HT503DC	-	-
S_ HT503DC	CD801AA	CD802AA
S2_ HT503DC	2 x CD801AA	CD802AA
S3_ HT503DC	CD803AA	CD802AA

Machine information	
Voltage	20V
Stroke rate at no-load	1200/min
Blade length	36cm
Tooth opening	23mm
Length adjustment	200-260cm
Sound pressure level (LpA)	77.9dB, k=3dB
Sound power level (LWA)	87.8dB, k=3dB
Guaranteed LWA	91dB
Vibration	front handle ah=2.55m/s ²
	rear handle ah=2.48m/s ²
	K=1.5m/s ²
Weight	2.3kg

Model No.	CD801AA
Battery Type	Lithium-Ion
Voltage	20V
Capacity	2.0 Ah
Recommended charger	CD802AA
Weight	0.3 kg

Model No.	CD802AA
Charger input	220-240V, 50Hz 0.4A
Charger output	21V 2.5A
Charging time 2Ah battery	60 minutes
Charging time 4Ah battery	120 minutes
Recommended batteries	CD801AA, CD803AA
Weight	0.36 kg

Model No.	CD803AA
Battery Type	Lithium-Ion
Voltage	20V
Capacity	4.0 Ah
Recommended charger	CD802AA
Weight	0.65 kg

Only use the following batteries of the VONROC VPOWER 20V battery platform. Using any other batteries could cause serious injury or damage the tool.

CD801AA 20V, 2Ah Lithium-Ion
CD803AA 20V, 4Ah Lithium-Ion

The following charger of the can be used to charge these batteries.

CD802AA Quick charger

The batteries of the VONROC VPOWER 20V battery platform are interchangeable with all the VONROC VPOWER 20V battery platform tools.

DESCRIPTION

The numbers in the text refer to the diagrams on pages 2 - 5.

1. Hedge trimmer head
2. Head adjustment button
3. Head locking ring
4. Hedge trimmer blade
5. Handle locking lever

6. Power switch
7. Telescopic handle
8. Power connector
9. Shoulder strap
10. Carabiner
11. Protection sleeve
12. Battery
13. Battery charger
14. Battery release button
15. Battery LED indicators button
16. Battery LED indicators
17. Charger LED indicators

3. ASSEMBLY



Before any work (maintenance, tool change, assembly) on the power tool, remove the battery from the power tool.



The battery must be charged before first use.

Inserting the battery into the machine (Fig. B-1)

Ensure that the exterior of the battery is clean and dry before connecting to the charger or machine.

1. Insert the battery (12) into the base of the machine as shown in Fig. B-1.
2. Push the battery further forward until it clicks into place.

Removing the battery from the machine (Fig. B-1)

1. Push the battery release button (14).
2. Pull the battery out of the machine like shown in Fig. B-1.

Checking the battery charging status (Fig. B-2)

- To check the battery charge status, push the button (15) on battery shortly.
- The battery has 3 lights indicating the charge level, the more lights that burn, the more charge the battery has left.
- When the lights are not burning it means the battery is empty and must be charged immediately.

Charging the battery with the charger (Fig. B-2)

1. Take the battery (12) from the machine.
2. Turn the battery (12) to upside down position and slide it onto the charger (13) as shown in Fig. B-2.

3. Push the battery until it is fully pushed into the slot.
4. Plug the charger plug into an electrical outlet and wait for a while. The LED indicators on the charger (17) will lighten up and show the charger status

The charger has 2 LED indicators (17) which indicate the status of the charging process:

Red LED Status	Green LED status	Charger status
Off	Off	No power
Off	On	Standby mode: - No battery is inserted or, - Battery inserted but charging has finished
On	Off	Battery charging in progress

- Fully charging the 2Ah battery may take up to 60 minutes.
- Fully charging the 4Ah battery may take up to 120 minutes.

After the battery is fully charged remove the charger plug from the outlet and remove the battery from the charger.



When the machine is not being used over a longer period of time it is best to store the battery in charged condition.

Tool assembly (Fig. C, D)

- Attach the shoulder strap (9) to the loop on the handle (7) using the carabiner (10).
- Release the head locking ring (3) by rotating it anti-clockwise. Do not completely remove the ring from the head.
- Fit the hedge trimmer head (1) to the telescopic handle (7) by inserting the power connector (8) into the head.
- If the connector (8) is not inserted properly, there might be no electrical connection and the tool will not work. Make sure that the power connector is fully inserted into the hedge trimmer head. The screw (18) on the handle should be covered by the trimmer head (1) and locking ring (3).
- Secure the hedge trimmer head (1) by rotating the locking ring (3) clockwise



Never fasten the belt diagonally across the shoulder and chest, but place it on one of the shoulders. This way you can quickly remove the tool from your body in case of danger.

Adjusting the telescopic height (Fig. E-1, E-2)

- Unlock the lever (5) to release the telescopic handle (7).
- Extend or retract the telescopic handle (7) to the desired length.
- Secure the telescopic handle by locking the lever (5).

Adjusting the pivoting hedge trimmer head (Fig. F-1, F-2)

- Press both the button (2) on the side of the hedge trimmer head (1).
- Adjust the head to the desired position.
- Release the button (2) and make sure the head is locked in place.

4. OPERATION

Before use (Fig. G)

Remove the blade guard (11) and lubricate the blades (4).

Switching on and off

Always hold the hedge trimmer with both hands. Place one hand on the telescopic handle (7) and one hand on the rear handle near the power switch. Press and hold the power switch (6) to operate the machine. When the power switch is released the machine will automatically stop.

After use

Wipe off any dirt and debris from the blades (4) using a brush or cloth. Lubricate the blades, place the blade guard (11), and remove the battery (12) before storing the machine.

5. MAINTENANCE



Before cleaning and maintenance, always switch off the machine and remove the battery pack from the machine.

Clean the machine casings regularly with a soft cloth, preferably after each use. Make sure that the ventilation openings are free of dust and dirt.

Remove very persistent dirt using a soft cloth moistened with soapsuds. Do not use any solvents such as gasoline, alcohol, ammonia, etc. Chemicals such as these will damage the synthetic components.

Cutting blade

- Always wear gloves when handling or cleaning the cutting blade.
- Clean the cutting blade and spray with a protective oil after every use. We recommend lubricating the cutting blade with protective oil at regular intervals during long working periods.
- Visually inspect the condition of the cutting blade. Check if the screws are firmly seated in the cutter bar.

Storage

The hedge trimmer should be kept in a safe, dry place, well out of the reach of children. Do not place other objects on top of it.

ENVIRONMENT



Faulty and/or discarded electrical or electronic apparatus have to be collected at the appropriate recycling locations.

Only for EC countries

Do not dispose of power tools into domestic waste. According to the European Guideline 2012/19/EC for Waste Electrical and Electronic Equipment and its implementation into national right, power tools that are no longer usable must be collected separately and disposed of in an environmentally friendly way.

WARRANTY

VONROC products are developed to the highest quality standards and are guaranteed free of defects in both materials and workmanship for the period lawfully stipulated starting from the date of original purchase. Should the product develop any failure during this period due to defective material and/or workmanship then contact VONROC directly.

The following circumstances are excluded from this guarantee:

- Repairs and or alterations have been made or attempted to the machine by unauthorized service centers;
- Normal wear and tear;

- The tool has been abused, misused or improperly maintained;
- Non-original spare parts have been used.

This constitutes the sole warranty made by company either expressed or implied. There are no other warranties expressed or implied which extend beyond the face hereof, herein, including the implied warranties of merchantability and fitness for a particular purpose. In no event shall VONROC be liable for any incidental or consequential damages. The dealers remedies shall be limited to repair or replacement of nonconforming units or parts.

The product and the user manual are subject to change. Specifications can be changed without further notice.

1. SICHERHEITSHINWEISE

Lesen Sie die beigefügten Sicherheitswarnungen, die zusätzlichen Sicherheitswarnungen und die Anweisungen. Die Nichteinhaltung der Sicherheitswarnungen und der Anweisungen kann in einem Stromschlag, Brand und/oder in schweren Verletzungen resultieren. Bewahren Sie die Sicherheitswarnungen und Anweisungen für künftige Referenzzwecke auf.

Die folgenden Symbole werden im Benutzerhandbuch oder auf dem Produkt verwendet:



Lesen Sie das Benutzerhandbuch.



Bedeutet, dass bei Nichtbeachtung der Anweisungen in dieser Anleitung Verletzungen, Tod oder Beschädigung des Werkzeugs die Folge sein können.



Stromschlagrisiko.



Maximaltemperatur 45°C.



Werfen Sie den Akku nicht ins Feuer.



Werfen Sie den Akku nicht ins Wasser.



Tragen Sie Kopfschutz.



Immer eine Schutzbrille tragen.



Nicht Regen aussetzen.



Hände von der Klinge fernhalten.



Auf umherfliegende Gegenstände achten.



Halten Sie Zuschauer fern.



Von Hochspannungsleitungen fernhalten!
Mindestabstand von 10 Metern einhalten.



Werkzeug/Gerät der Schutzklasse II
- Doppelte Isolierung -
Kein Schutzkontaktanschluss erforderlich.



Zeitverzögerter Miniatur-Sicherungseinsatz.



Li-Ionen-Akkus müssen separat entsorgt werden.



Das Produkt nicht in ungeeigneten Behältern entsorgen.



Das Produkt entspricht den geltenden Sicherheitsstandards in den europäischen Richtlinien.

ALLGEMEINE SICHERHEITSHINWEISE FÜR ELEKTROWERKZEUGE



WARNUNG! Beachten Sie alle Sicherheitswarnungen und Anweisungen. Die Nichtbeachtung der Warnungen und Anweisungen kann in einem Stromschlag, Brand und/oder in schweren Verletzungen resultieren.

Bewahren Sie die Warnungen und Anweisungen für künftige Referenzzwecke auf.

Der Begriff „Elektrowerkzeug“ in den Warnhinweisen bezieht sich auf ein netzbetriebenes (kabelgebundenes) oder auf ein akkubetriebenes (kabelloses) Elektrowerkzeug.

1) Sicherheit am Arbeitsplatz

- a) **Halten Sie den Arbeitsbereich sauber und gut beleuchtet.** Unübersichtliche oder dunkle Bereiche führen eher zu Unfällen.
- b) **Betreiben Sie Elektrowerkzeuge nicht in explosionsgefährdeten Bereichen, z. B. bei Vorhandensein von brennbaren Flüssigkeiten, Gasen oder Staub.** Elektrowerkzeuge erzeugen Funken, die den Staub oder die Dämpfe entzünden können.
- c) **Halten Sie Kinder und Umstehende fern, während Sie Elektrogeräte benutzen.** Ablenkungen können zum Verlust der Kontrolle führen.

2) Elektrische Sicherheit

- a) **Die Stecker von Elektrowerkzeugen müssen zur Steckdose passen. Den Stecker niemals modifizieren. Verwenden Sie bei geerdeten Elektrowerkzeugen keine Adapterstecker.** Nicht modifizierte Stecker und passende Steckdosen reduzieren das Stromschlagrisiko.
- b) **Vermeiden Sie Körperkontakt mit geerdeten Oberflächen, wie Rohren, Heizkörpern, Herden und Kühlschränken.** Es besteht ein erhöhtes Stromschlagrisiko, wenn Ihr Körper geerdet ist.

- c) **Setzen Sie Elektrowerkzeuge keinem Regen oder feuchten Bedingungen aus.** Wenn Wasser in ein Elektrowerkzeug eindringt, erhöht sich die Gefahr eines Stromschlags.
- d) **Missbrauchen Sie das Kabel nicht. Verwenden Sie das Kabel niemals zum Tragen, Ziehen oder Herausziehen des Steckers des Elektrowerkzeugs. Halten Sie das Kabel vor Wärme, Öl, spitzen Kanten oder sich bewegenden Teilen fern.** Beschädigte oder verwickelte Kabel erhöhen das Stromschlagrisiko.
- e) **Wenn Sie ein Elektrowerkzeug im Freien betreiben, verwenden Sie ein für den Außeneinsatz geeignetes Verlängerungskabel.** Die Verwendung eines für den Außeneinsatz geeigneten Kabels verringert das Risiko eines Stromschlags.
- f) **Wenn der Betrieb eines Elektrowerkzeugs in einer feuchten Umgebung unvermeidlich ist, verwenden Sie eine durch einen Fehlerstromschutzschalter geschützte Stromversorgung.** Die Verwendung eines Fehlerstromschutzschalters senkt das Stromschlagrisiko.

3) Sicherheit von Personen

- a) **Bleiben Sie beim Umgang mit einem Elektrowerkzeug aufmerksam, achten Sie auf das, was Sie tun, und benutzen Sie Ihren gesunden Menschenverstand. Benutzen Sie Elektrogeräte nicht, wenn Sie müde sind oder unter dem Einfluss von Drogen, Alkohol oder Medikamenten stehen.** Ein Moment der Unachtsamkeit während des Betriebs eines Elektrowerkzeugs kann zu schwerwiegenden Verletzungen führen.
- b) **Tragen Sie persönliche Schutzausrüstung. Immer eine Schutzbrille tragen.** Schutzausrüstungen wie Staubmaske, rutschfeste Sicherheitsschuhe, Schutzhelm oder Gehörschutz, die unter entsprechenden Bedingungen verwendet werden, verringern die Zahl der Verletzungen.
- c) **Unbeabsichtigtes Starten verhindern. Vergewissern Sie sich, dass der Schalter ausgeschaltet ist, bevor Sie das Gerät an die Stromquelle und/oder den Akku anschließen, es in die Hand nehmen oder tragen.** Das Tragen von Elektrowerkzeugen mit dem Finger auf dem Schalter oder das Einschalten von Elektrowerkzeugen, bei denen der Schalter eingeschaltet ist, lädt zu Unfällen ein.
- d) **Entfernen Sie vor dem Einschalten des Elektrowerkzeugs alle Einstellschlüssel oder**

- Schraubenschlüssel.** Ein Einstellschlüssel oder Schraubenschlüssel, der an einem rotierenden Teil des Elektrowerkzeugs verbleibt, kann zu Verletzungen führen.
- e) **Keine anormale Arbeitshaltung einnehmen. Achten Sie jederzeit auf festen Stand und Ihr Gleichgewicht.** Das ermöglicht eine bessere Kontrolle des Elektrowerkzeugs in unerwarteten Situationen.
- f) **Angemessene Kleidung tragen. Tragen Sie keine locker sitzende Kleidung oder Schmuck. Haare, Kleidung und Handschuhe von beweglichen Teilen fernhalten.** Locker sitzende Kleidung, Schmuck oder lange Haare können sich in beweglichen Teilen verfangen.
- g) **Wenn Anschlüsse für Vorrichtungen zum Absaugen und Sammeln von Staub vorhanden sind, stellen Sie sicher, dass diese angebracht und ordnungsgemäß verwendet werden.** Die Verwendung einer Staubabsaugvorrichtung kann staubbedingte Gefahren verringern.
- h) **Achten Sie darauf, nicht durch häufigen Gebrauch von Werkzeugen nachlässig zu werden und die Prinzipien zum sicheren Umgang mit den Werkzeugen zu ignorieren.** Eine unachtsame Handlung kann innerhalb von Sekundenbruchteilen schwere Verletzungen verursachen.
- 4) Verwendung und Pflege von Elektrowerkzeugen**
- a) **Wenden Sie keine übermäßige Kraft auf das Elektrowerkzeug an. Verwenden Sie das richtige Elektrowerkzeug für Ihre Anwendung.** Das richtige Elektrowerkzeug erledigt die Arbeit besser und sicherer mit der Geschwindigkeit, für die es konzipiert wurde.
- b) **Verwenden Sie das Elektrowerkzeug nicht, wenn es nicht am Schalter ein- und ausgeschaltet werden kann.** Jedes Elektrowerkzeug, das nicht mit dem Schalter gesteuert werden kann, stellt eine Gefahr dar und muss repariert werden.
- c) **Ziehen Sie den Stecker aus der Steckdose bzw. trennen Sie den Akku-Pack vom Elektrowerkzeug, bevor Sie irgendwelche Einstellungen vornehmen, Zubehörteile austauschen oder Elektrowerkzeuge aufbewahren.** Diese vorbeugenden Sicherheitsmaßnahmen verringern das Risiko einer unbeabsichtigten Inbetriebnahme des Elektrowerkzeugs.
- d) **Bewahren Sie ungenutzte Elektrowerkzeuge außerhalb der Reichweite von Kindern auf und erlauben Sie Personen, die mit dem Elektrowerkzeug oder dieser Anleitung nicht vertraut sind, nicht, das Elektrowerkzeug zu bedienen.** Elektrowerkzeuge stellen in den Händen von ungeschulten Benutzern eine Gefahr dar.
- e) **Pflegen Sie Elektrowerkzeuge. Prüfen Sie auf Fehlausrichtung oder Blockierung beweglicher Teile, Brüche von Teilen sowie auf alle anderen Bedingungen, die den Betrieb des Elektrowerkzeugs beeinträchtigen können. Bei einer Beschädigung lassen Sie das Elektrowerkzeug vor dem weiteren Gebrauch reparieren.** Viele Unfälle werden durch schlecht gepflegte Elektrowerkzeuge verursacht.
- f) **Halten Sie die Schneidwerkzeuge scharf und sauber.** Ordnungsgemäß gewartete Schneidwerkzeuge mit scharfen Schneidkanten verklemmen sich seltener und sind leichter zu kontrollieren.
- g) **Verwenden Sie das Elektrowerkzeug, das Zubehör und die Bits usw. gemäß dieser Anleitung und unter Berücksichtigung der Bedingungen und der vorgesehenen Arbeiten.** Die Verwendung des Elektrowerkzeugs für andere als die vorgesehenen Tätigkeiten kann zu einer gefährlichen Situation führen.
- h) **Halten Sie Griffe und Greifflächen immer trocken, sauber und frei von Öl und Fett.** Rutschige Griffe und Greifflächen verhindern in unerwarteten Situationen den sicheren Umgang mit dem Werkzeug und die richtige Kontrolle darüber.
- 5) Verwendung und Pflege von Akkus**
- a) **Laden Sie den Akku nur mit dem vom Hersteller angegebenen Ladegerät auf.** Ein Ladegerät, das für einen Akkutyp geeignet ist, kann bei Verwendung mit einem anderen Akkutyp eine Brandgefahr darstellen.
- b) **Verwenden Sie Elektrowerkzeuge nur mit den speziell dafür vorgesehenen Akkus.** Bei Verwendung anderer Akkus besteht Verletzungs- und Brandgefahr.
- c) **Wenn der Akku nicht in Gebrauch ist, halten Sie ihn von anderen Metallgegenständen wie Büroklammern, Münzen, Schlüsseln, Nägeln, Schrauben oder anderen kleinen Metallobjekten fern, die einen Kontakt zwischen den Anschlüssen herstellen können.** Das Kurzschließen von

Batterieanschlüssen kann zu Verbrennungen oder einem Brand führen.

- d) **Unter missbräuchlichen Bedingungen kann Flüssigkeit aus dem Akku austreten; vermeiden Sie den Kontakt damit. Bei versehentlichem Kontakt gut mit Wasser abspülen. Wenn die Flüssigkeit in die Augen gelangt, suchen Sie zusätzlich einen Arzt auf.** Aus dem Akku austretende Flüssigkeit kann Reizungen oder Verbrennungen verursachen.
- e) **Verwenden Sie keinesfalls Akkus und Werkzeuge, die beschädigt oder verändert wurden.** Beschädigte oder veränderte Akkus können ein unvorhersehbares Verhalten zeigen, das zu Feuer, Explosionen oder Verletzungsgefahren führt.
- f) **Setzen Sie Akkus oder Werkzeuge keinem Feuer oder übermäßigen Temperaturen aus.** Feuer oder Temperaturen über 130 °C können zu Explosionen führen. HINWEIS: Die Temperaturangabe „130 °C“ kann durch die Temperaturangabe „265 °F“ ersetzt werden.
- g) **Beachten Sie alle Hinweise zum Aufladen und laden Sie Akkus oder Werkzeuge nicht außerhalb der in der Anleitung angegebenen Temperaturbereiche auf.** Unsachgemäßes Aufladen oder Aufladen bei Temperaturen außerhalb des angegebenen Bereichs kann den Akku schädigen und die Brandgefahr erhöhen.

6) Wartung

- a) **Lassen Sie Ihr Elektrowerkzeug von einer qualifizierten Fachwerkstatt warten, die nur identische Ersatzteile verwendet.** So wird sichergestellt, dass die Sicherheit des Elektrowerkzeugs gewahrt bleibt.
- b) **Beschädigte Akkus dürfen keinesfalls gewartet werden.** Die Wartung von Akkus darf nur vom Hersteller oder von Vertragswerkstätten durchgeführt werden.

SICHERHEITSHINWEISE FÜR HECKENSCHEREN

- a) **Sämtliche Körperteile von der Klinge fernhalten. Kein geschnittenes Material entfernen und das zu schneidende Material nicht festhalten, wenn sich die Klängen bewegen.** Die Klängen bewegen sich nach dem Abschalten des Geräts noch kurze Zeit weiter. Ein Moment der Unachtsamkeit während des Betriebs der Hecken-

schere kann zu schwerwiegenden Verletzungen führen.

- b) **Transportieren Sie die Heckenschere nur bei ausgeschalteter Klinge und berühren Sie beim Transportieren keinen der Schalter.** Das richtige Transportieren verringert das Risiko eines unbeabsichtigten Einschaltens und daraus folgender Verletzungen durch die Klängen.
- c) **Bei Transport oder Lagerung der Heckenschere immer die Klingenschutzabdeckung anbringen.** Der richtige Umgang mit der Heckenschere verringert das Risiko von Verletzungen durch die Klängen.
- d) **Schalten Sie das Gerät vollständig aus und ziehen Sie das Stromkabel aus der Steckdose, bevor Sie feststeckendes Material beseitigen oder das Gerät warten.** Eine unerwartete Betätigung der Heckenschere während der Beseitigung von feststeckendem Material oder der Wartung kann zu schweren Verletzungen führen.
- e) **Halten Sie die Heckenschere an den isolierten Griffflächen, da die Klinge versteckte Leitungen oder ihr eigenes Kabel berühren könnte.** Der Kontakt der Klinge mit einer spannungsführenden Leitung kann metallene Teile der Heckenschere unter Spannung setzen und zu einem elektrischen Schlag führen.
- f) **Halten Sie alle Stromkabel und andere Kabel aus dem Schneidbereich fern.** Stromkabel und andere Kabel können in Hecken oder Gebüsch versteckt sein und unbeabsichtigt von der Klinge durchtrennt werden.
- g) **Verwenden Sie die Heckenschere nicht bei schlechten Wetterbedingungen, insbesondere wenn Gewittergefahr besteht.** Dadurch verringert sich die Gefahr eines Blitzschlags.

SICHERHEITSHINWEISE FÜR TELESKOPHECKENSCHEREN

- a) **Zur Verringerung der Gefahr eines Stromschlags verwenden Sie die Teleskop-Heckenschere niemals in der Nähe von Stromleitungen.** Der Kontakt mit Stromleitungen oder die Verwendung in deren Nähe kann zu schweren oder tödlichen Stromschlägen führen.
- b) **Bedienen Sie die Teleskop-Heckenschere immer mit beiden Händen.** Halten Sie die Teleskop-Heckenschere mit beiden Händen fest, um einen Kontrollverlust zu vermeiden.
- c) **Tragen Sie immer einen Kopfschutz, wenn Sie die Teleskop-Heckenschere über Kopf**

verwenden. Herabfallendes Schnittgut kann zu schweren Verletzungen führen.

ZUSÄTZLICHE SICHERHEITSHINWEISE

- a) **Dieses Werkzeug ist nicht zur Verwendung durch Personen (einschließlich Kinder) mit eingeschränkten körperlichen, sensorischen oder geistigen Fähigkeiten oder mangelnder Erfahrung und mangelndem Wissen vorgesehen**, es sei denn, sie wurden von einer für ihre Sicherheit verantwortlichen Person beaufsichtigt oder in die Verwendung des Geräts eingewiesen. Kinder müssen beaufsichtigt werden, um sicherzustellen, dass sie nicht mit dem Gerät spielen.
- b) **Halten Sie das Elektrowerkzeug beim Arbeiten fest mit beiden Händen und sorgen Sie für einen sicheren Stand.** Das Elektrowerkzeug wird mit zwei Händen sicherer geführt.
- c) **Immer sicherstellen, dass alle Griffe und Schutzvorrichtungen bei Gebrauch des Werkzeugs richtig befestigt sind.** Versuchen Sie niemals, ein unvollständiges Werkzeug oder ein Werkzeug mit einer nicht genehmigten Veränderung zu benutzen.
- d) **Schmieren Sie die Schneidklinge vor Gebrauch immer mit Schutzspray.**
- e) **Warten Sie immer, bis das Gerät vollständig zum Stillstand gekommen ist, bevor Sie sie ablegen.**
- f) **Andere Personen und Tiere sollten während der Verwendung des Werkzeugs einen Abstand von mindestens 3 Metern einhalten.** Der Bediener ist für im Arbeitsbereich anwesende Personen verantwortlich.
- g) **Greifen Sie niemals die Klinge der Heckenschere.**
- h) **Kinder oder Personen, die mit dieser Anleitung nicht vertraut sind, dürfen die Heckenschere nicht verwenden.** Örtliche Vorschriften können das Alter des Betreibers einschränken.
- i) **Keinesfalls eine Hecke schneiden, wenn Menschen, insbesondere Kinder oder Haustiere, in der Nähe sind.**
- j) **Der Benutzer ist verantwortlich für Unfälle oder Gefahren, die für andere Menschen oder deren Eigentum auftreten.**
- k) **Verwenden Sie die Heckenschere nicht barfuß oder mit offenen Sandalen, sondern tragen Sie stets festes Schuhwerk und lange Hosen.** Das Tragen von festen Handschuhen, rutschfestem Schuhwerk und einer Schutzbrille wird ebenfalls empfohlen. Tragen Sie keine weiten Kleidungsstücke oder Schmuckstücke, die sich in beweglichen Teilen verfangen könnten.
- l) **Untersuchen Sie den Bereich, in dem die Heckenschere eingesetzt werden soll, gründlich und entfernen Sie alle Drähte und andere Fremdkörper.**
- m) **Prüfen Sie vor dem Einsatz die Schneidklinge, die Klingenbolzen und die gesamte Klingenbaugruppe auf Abnutzung oder Schäden.** Arbeiten Sie nicht mit einem beschädigten oder übermäßig abgenutzten Schneidgerät.
- n) **Informieren Sie sich darüber, wie Sie die Heckenschere im Notfall schnell anhalten können.**
- o) **Schneiden Sie Hecken nur bei Tageslicht oder bei guter künstlicher Beleuchtung.**
- p) **Betreiben Sie die Heckenschere niemals mit defekten oder fehlenden Schutzvorrichtungen.**
- q) **Halten Sie die Heckenschere niemals an der Schutzvorrichtung fest.**
- r) **Achten Sie bei der Arbeit mit der Heckenschere jederzeit auf festen Stand und Ihr Gleichgewicht.**
- s) **Achten Sie stets auf Ihre Umgebung und auf möglicherweise auftretende Gefahren, die Sie während des Betriebs der Heckenschere nicht hören können.**
- t) **Alle Muttern, Bolzen und Schrauben festgezogen halten, um sicherzustellen, dass die Heckenschere immer in einem arbeitssicheren Zustand ist.**
- u) **Die Heckenschere sollte an einem trockenen, hochgelegenen oder verschlossenen Ort außerhalb der Reichweite von Kindern aufbewahrt werden.**
- v) **Verschlossene oder beschädigte Teile aus Sicherheitsgründen austauschen.**
- w) **Versuchen Sie nicht, das Gerät zu reparieren, wenn Sie dafür nicht qualifiziert sind.**
- x) **Halten Sie das Gerät gut mit beiden Händen fest.**

SICHERHEITSHINWEISE FÜR AKKUS

- a) **Akku nicht öffnen.** Gefahr eines Kurzschlusses.
- b) **Schützen Sie den Akku vor Hitze, zum Beispiel vor andauerndem intensiven Sonnenlicht, sowie vor Feuer, Wasser und Feuchtigkeit.** Explosionsgefahr.
- c) **Bei Beschädigung und unsachgemäßer Verwendung des Akkus können Dämpfe freigesetzt**

werden. Lüften Sie den Bereich und suchen Sie bei Beschwerden einen Arzt auf. Die Dämpfe können die Atemwege reizen.

- d) **Verwenden Sie den Akku nur in Verbindung mit Ihrem Vonroc-Produkt.** Nur dadurch wird der Akku vor gefährlicher Überladung geschützt.
- e) **Der Akku kann durch spitze Gegenstände wie Nägel oder Schraubendreher oder durch äußere Krafteinwirkung beschädigt werden.** Es kann ein interner Kurzschluss auftreten und der Akku kann brennen, rauchen, explodieren oder überhitzen.

SICHERHEITSHINWEISE FÜR LADEGERÄTE

Verwendungszweck

Laden Sie mit dem Ladegerät nur wiederaufladbare Akkus vom Typ CD801AA und CD803AA auf. Andere Akkutypen können platzen und Verletzungen und Schäden verursachen.

- a) **Das Gerät darf nicht von Personen (einschließlich Kinder) mit eingeschränkten körperlichen, sensorischen oder geistigen Fähigkeiten oder mangelnder Erfahrung und mangelndem Wissen verwendet werden, es sei denn, sie werden dabei beaufsichtigt oder sie wurden in die Verwendung des Geräts eingewiesen.**
- b) **Es ist darauf zu achten, dass Kinder nicht mit dem Gerät spielen.**
- c) **Laden Sie keine nicht aufladbaren Batterien auf!**
- d) **Während des Ladevorgangs müssen sich die Akkus in einem gut belüfteten Bereich befinden!**

Elektrische Sicherheit



Immer prüfen, dass die Spannung der Stromversorgung der Spannung auf dem Typenschild entspricht.

- Das Gerät nicht verwenden, wenn das Netzkabel oder der Netzstecker beschädigt ist.
- Nur Verlängerungskabel verwenden, die für die Leistungswerte des Geräts geeignet sind und eine Mindestdicke von 1,5 mm² aufweisen. Bei Verwendung eines Verlängerungskabels auf einer Kabeltrommel muss das Kabel immer komplett abgewickelt werden.

2. GERÄTEDATEN

Verwendungszweck

Das Gerät ist für den privaten Gebrauch zum Schneiden und Trimmen von hohen Hecken und Sträuchern bestimmt, während sich der Benutzer auf dem Boden befindet. Das Gerät darf nicht auf einer Leiter oder Treppe verwendet werden. Das Gerät ist nicht zum Schneiden von Gras gedacht und eignet sich nicht als Rasentrimmer. Das Gerät ist nicht für den gewerblichen oder industriellen Gebrauch vorgesehen.

TECHNISCHE DATEN



Dieses Handbuch wurde für unterschiedliche Sets / Artikelnummern erstellt. Achten Sie in der Spezifikationstabelle mit den korrekten Zusammenstellungen und Inhalten für Ihr Set auf Ihre jeweilige Artikelnummer.

Modellnr.	Akkus enthalten	Ladegeräte enthalten
HT503DC	-	-
S_HT503DC	CD801AA	CD802AA
S2_HT503DC	2 x CD801AA	CD802AA
S3_HT503DC	CD803AA	CD802AA

Gerätedaten	
Spannung	20V
Hubfrequenz bei Nulllast	1200 U/min
Klingenlänge	36 cm
Zahnöffnung	23 mm
Anpassung der Länge	200-260cm
Schalldruckpegel (LpA)	77,9 dB, k=3 dB
Schallleistungspegel (LWA)	87,8 dB, k=3 dB
Garantierter LWA	91 dB
Vibration	vorderer Griff ah=2,55 m/s ² hinterer Griff ah=2,48 m/s ² K=1,5 m/s ²
Gewicht	2,3 kg

Modellnr.	CD801AA
Akkutyp	Lithium-Ionen
Spannung	20V
Kapazität	2,0 Ah
Empfohlenes Ladegerät	CD802AA
Gewicht	0,3 kg

Modellnr.	CD802AA
Ladegerät-Eingang	220-240V, 50Hz 0,4A
Ladegerät-Ausgang	21V 2,5A
Ladedauer 2Ah-Akku	60 Minuten
Ladedauer 4Ah-Akku	120 Minuten
Empfohlene Akkus	CD801AA, CD803AA
Gewicht	0,36 kg

Modellnr.	CD803AA
Akkutyp	Lithium-Ionen
Spannung	20V
Kapazität	4,0 Ah
Empfohlenes Ladegerät	CD802AA
Gewicht	0,65 kg

Verwenden Sie nur folgende Akkus der VONROC VPOWER 20V-Akku-Plattform. Die Verwendung anderer Akkus kann zu schweren Verletzungen oder einer Beschädigung des Werkzeugs führen.

CD801AA 20 V, 2 Ah Lithium-Ionen

CD803AA 20 V, 4 Ah Lithium-Ionen

Folgendes Ladegerät ist zum Aufladen dieser Akkus vorgesehen.

CD802AA Schnellladegerät

Die Akkus der VONROC VPOWER 20V-Akku-Plattform sind unter allen Werkzeugen der VONROC VPOWER 20V-Akku-Plattform austauschbar.

BESCHREIBUNG

Die Zahlen im Text beziehen sich auf die Abbildungen auf Seite 2 – 5.

1. Heckenscherenkopf
2. Kopfeinstellknopf

3. Kopfsicherungsring
4. Heckenscherenklinge
5. Griffsicherungshebel
6. Netzschalter
7. Teleskopstiel
8. Stromanschluss
9. Schulterriemen
10. Karabiner
11. Schutzhülle
12. Batterie
13. Batterieladegerät
14. Knopf zum Lösen des Akkus
15. Knopf für Akku-LED-Anzeigen
16. Akku-LED-Anzeigen
17. Ladegerät-LED-Anzeigen

3. MONTAGE



Nehmen Sie vor allen Arbeiten (Wartung, Werkzeugwechsel, Montage) am Elektrowerkzeug den Akku aus dem Elektrowerkzeug.



Der Akku muss vor der erstmaligen Benutzung aufgeladen werden.

Einlegen des Akkus in das Gerät (Abb. B-1)

Stellen Sie sicher, dass die Außenseite des Akkus sauber und trocken ist, bevor Sie ihn an das Ladegerät oder das Gerät anschließen.

1. Setzen Sie den Akku (12) in den Sockel des Geräts ein, wie in Abb. B-1 dargestellt.
2. Schieben Sie den Akku weiter nach vorne, bis er einrastet.

Entnehmen des Akkus aus dem Gerät (Abb. B-1)

1. Drücken Sie den Knopf zum Lösen des Akkus (14).
2. Ziehen Sie den Akku aus dem Gerät heraus, wie in Abb. B-1 dargestellt.

Überprüfen des Ladezustands des Akkus (Abb. B-2)

- Zum Überprüfen des Ladezustands des Akkus drücken Sie kurz den Knopf (15) am Akku.
- Der Akku hat 3 Leuchten, die den Ladezustand anzeigen. Je mehr Leuchten brennen, desto mehr Ladung hat der Akku noch.
- Wenn keine der Leuchten an ist, bedeutet das, dass der Akku leer ist und sofort aufgeladen werden muss.

Aufladen des Akkus mit dem Ladegerät (Abb. B-2)

1. Nehmen Sie den Akku (12) aus dem Gerät.
2. Drehen Sie den Akku (12) um und schieben Sie ihn auf das Ladegerät (13), wie in Abb. B-2 gezeigt.
3. Schieben Sie den Akku so weit herein, bis er vollständig im Steckplatz sitzt.
4. Verbinden Sie den Ladestecker mit einer Steckdose und warten Sie einen Moment. Die LED-Anzeigen am Ladegerät (17) leuchten auf und zeigen den Ladestatus.

Das Ladegerät verfügt über 2 LED-Anzeigen (17), die den Status des Ladevorgangs anzeigen: indicate the status of the charging process:

Status der roten LED	Status der grünen LED	Status des Ladegeräts
Aus	Aus	Kein Strom
Aus	An	Bereitschaftsmodus: - Kein Akku eingelegt oder - Akku eingelegt, aber Ladevorgang abgeschlossen
An	Aus	Akku wird gerade geladen

- Das vollständige Aufladen des 2Ah-Akkus kann bis zu 60 Minuten dauern.
- Das vollständige Aufladen des 4Ah-Akkus kann bis zu 120 Minuten dauern.

Nachdem der Akku vollständig geladen ist, den Ladegerätstecker aus der Steckdose ziehen und den Akku aus dem Ladegerät nehmen.



Wenn das Gerät über einen längeren Zeitraum nicht verwendet wird, ist es am besten, den Akku in geladenem Zustand zu lagern.

Montage des Werkzeugs (Abb. C, D)

- Bringen Sie den Schulterriemen (9) mit dem Karabiner (10) an der Schlaufe am Griff (7) an.
- Lösen Sie den Kopfsicherungsring (3), indem Sie ihn gegen den Uhrzeigersinn drehen. Entfernen Sie den Ring dabei nicht vollständig vom Kopf.

- Befestigen Sie den Heckenscherenkopf (1) am Teleskopstiel (7), indem Sie den Stromanschluss (8) in den Kopf stecken.
- Wenn der Stecker (8) nicht richtig eingesteckt ist, besteht möglicherweise keine elektrische Verbindung und das Werkzeug funktioniert nicht. Vergewissern Sie sich, dass der Stromanschluss vollständig in den Heckenscherenkopf eingesteckt ist. Die Schraube (18) am Griff muss durch den Heckenscherenkopf (1) und den Sicherungsring (3) abgedeckt werden.
- Sichern Sie den Heckenscherenkopf (1), indem Sie den Sicherungsring (3) im Uhrzeigersinn drehen.



Den Riemen nie diagonal über Schulter und Brustkorb befestigen, sondern über eine der Schultern legen. Dadurch können Sie das Werkzeug im Gefahrenfall schnell vom Körper wegbringen.

Einstellen der Teleskoplänge (Abb. E-1, E-2)

- Entsichern Sie den Hebel (5), um den Teleskopstiel (7) zu lösen.
- Ziehen bzw. schieben Sie den Teleskopstiel (7) auf die gewünschte Länge heraus bzw. herein.
- Sichern Sie den Teleskopstiel durch Feststellen des Hebels (5).

Einstellen des schwenkbaren Heckenscherenkopfes (Abb. F-1, F-2)

- Drücken Sie auf den Knopf (2) an der Seite des Heckenscherenkopfes (1).
- Stellen Sie den Kopf auf die gewünschte Position ein.
- Lassen Sie den Knopf (2) los und vergewissern Sie sich, dass der Kopf eingerastet ist.

4. BETRIEB**Vor Gebrauch (Abb. G)**

Entfernen Sie den Klingenschutz (11) und schmiegen Sie die Klingen (4).

Ein- und Ausschalten

Halten Sie die Heckenschere immer mit beiden Händen fest. Legen Sie eine Hand auf den Teleskopgriff (7) und eine Hand auf den hinteren Griff in der Nähe des Netzschalters. Halten Sie den Netzschalter (6) gedrückt, um das Gerät einzuschalten.

Sobald der Netzschalter losgelassen wird, stoppt das Gerät automatisch.

Nach der Verwendung

Wischen Sie Schmutz und Ablagerungen mit einer Bürste oder einem Tuch von den Klingen (4) ab. Schmieren Sie die Klingen, bringen Sie den Klingenschutz (11) an und entfernen Sie den Akku (12), bevor Sie das Gerät einlagern.

5. WARTUNG



Vor dem Beginn von Reinigungs- und Wartungsarbeiten immer erst das Gerät ausschalten und den Akku entfernen.

Die Gerätegehäuse regelmäßig mit einem weichen Tuch reinigen, vorzugsweise nach jedem Gebrauch. Sicherstellen, dass die Ventilatoröffnungen frei von Staub und Schmutz sind. Sehr hartnäckigen Schmutz mit einem mit Seifenlauge befeuchteten Tuch entfernen. Keine Lösungsmittel wie Benzin, Alkohol, Ammoniak usw. verwenden, da Chemikalien dieser Art die Kunststoffteile beschädigen. as gasoline, alcohol, ammonia, etc. Chemicals such as these will damage the synthetic components.

Schneidklinge

- Beim Umgang oder bei der Reinigung der Schneidklinge immer Handschuhe tragen.
- Schneidklinge nach jedem Gebrauch reinigen und mit einem Schutzöl einsprühen. Wir empfehlen, die Schneidklinge bei länger dauernden Arbeiten regelmäßig mit Schutzöl zu schmieren.
- Die Schneidklinge vor Gebrauch einer Sichtprüfung unterziehen. Prüfen, ob die Schrauben fest in der Schneidklinge sitzen.

Aufbewahrung

Die Heckenschere sollte an einem sicheren, trockenen Ort aufbewahrt werden, der für Kinder unzugänglich ist. Keine anderen Gegenstände auf dem Gerät ablegen.

UMWELT



Fehlerhafte und/oder ausgesonderte elektrische oder elektronische Geräte müssen zu den entsprechenden Recyclingorten gebracht werden.

Nur für EU-Länder

Entsorgen Sie Elektrowerkzeuge nicht im Hausmüll. Nach der europäischen Richtlinie 2012/19/EC über Elektro- und Elektronik-Altgeräte und ihrer Umsetzung in nationales Recht müssen Elektrowerkzeuge, die nicht mehr verwendet werden sollen, getrennt gesammelt und auf umweltgerechte Weise entsorgt werden.

GARANTIE

VONROC-Produkte werden nach den höchsten Qualitätsstandards entwickelt und sind für den gesetzlich festgelegten Zeitraum ab dem Datum des ursprünglichen Kaufs garantiert frei von Material- und Verarbeitungsfehlern. Sollte das Produkt während dieses Zeitraums aufgrund von Material- und/oder Verarbeitungsfehlern ausfallen, wenden Sie sich bitte direkt an VONROC.

Folgende Umstände sind aus der Garantie ausgeschlossen:

- An dem Gerät wurden von nicht autorisierten Servicestellen Reparaturen und/oder Änderungen vorgenommen oder versucht;
- Normaler Verschleiß;
- Das Gerät wurde missbräuchlich oder falsch verwendet oder unsachgemäß gewartet;
- Es wurden keine Originalersatzteile verwendet.

Dies ist die einzige ausdrückliche oder stillschweigende Garantie, die das Unternehmen übernimmt. Es gibt keine weiteren ausdrücklichen oder stillschweigenden Garantien, die über die hierin enthaltenen Angaben hinausgehen, einschließlich der stillschweigenden Garantien der Gebrauchstauglichkeit und Eignung für einen bestimmten Zweck. VONROC haftet in keinem Fall für zufällige Schäden oder Folgeschäden. Die Rechtsmittel des Händlers beschränken sich auf die Reparatur oder den Austausch der nicht konformen Geräte oder Teile.

Das Produkt und die Bedienungsanleitung können Änderungen unterliegen. Technische Daten können ohne vorherige Ankündigung geändert werden.

1. VEILIGHEIDSINSTRUCTIES

Lees de bijgesloten veiligheidswaarschuwingen, de aanvullende veiligheidswaarschuwingen en de instructies. Geef u geen gevolg aan de veiligheidswaarschuwingen en de instructies dan kan dat een elektrische schok, brand en/of ernstig letsel tot gevolg hebben. Bewaar de veiligheidswaarschuwingen en de instructies zodat u ze later ook nog kunt raadplegen.

De volgende symbolen worden gebruikt in de gebruiksaanwijzing of op het product:



Lees de gebruiksaanwijzing.



Duidt op risico op persoonlijk letsel, gevaar van een ongeluk met dodelijke afloop of beschadiging van het gereedschap als de instructies in deze handleiding niet worden opgevolgd.



Risico op een elektrische schok.



Max 45°C

Max. temperatuur 45°C.



Gooi de accu niet in het vuur.



Gooi de accu niet in het water.



Draag een helm.



Draag een veiligheidsbril.



Niet blootstellen aan regen.



Houd uw handen uit de buurt van het blad.



Let op wegspringende voorwerpen. Houd omstanders op afstand.



Houd het product uit de buurt van hoogspanningsleidingen! Minimale afstand 10 meter.



Klasse II-apparaat - Dubbele isolatie - U hebt geen geaarde stekker nodig.



T3,15A

Vertraging miniatuur smeltzekering.



Gescheiden inzameling voor Li-ion-accu.



Gooi het product niet weg in containers die daarvoor niet geschikt zijn.



Het product voldoet aan de geldende veiligheidsnormen in de Europese richtlijnen.

ALGEMENE VEILIGHEIDSWAARSCHUWINGEN VOOR ELEKTRISCH GEREEDSCHAP



**WAARSCHUWING! Lees alle veiligheids-
waarschuwingen en alle instructies.** Geef u geen gevolg aan de waarschuwingen en de instructies, dan kan dat een elektrische schok, brand en/of ernstig letsel tot gevolg hebben.

Bewaar alle waarschuwingen en instructies zodat u ze later ook nog kunt raadplegen.

De woorden 'elektrisch gereedschap' zoals gebruikt in de waarschuwingen verwijzen naar uw elektrisch gereedschap dat via de stroomvoorziening (met snoer) of op basis van een accu (draadloos) wordt gebruikt.

1) Veiligheid in de werkgebied

- a) **Houd het werkgebied goed schoon en goed verlicht.** Op rommelige of donkere werkplekken zullen gemakkelijk ongelukken gebeuren.
- b) **Gebruik geen elektrische gereedschappen in explosieve situaties, zoals in de nabijheid van ontvlambare vloeistoffen, gassen of stof.** Elektrische gereedschappen maken vonken die het stof of de gassen kunnen ontsteken.
- c) **Houd kinderen en omstanders uit de buurt terwijl u het elektrische gereedschap gebruikt.** Door afleidingen kunt u de controle verliezen.

2) Elektriciteit - Veiligheid

- a) **Stekkers van elektrisch gereedschap moeten bij de stopcontacten passen. Breng nooit op welke manier dan ook veranderingen in de stekker aan. Gebruik nooit adapterstekkers met (geaard) elektrisch gereedschap.** Originele stekkers en passende stopcontacten verminderen het risico op een elektrische schok.
- b) **Voorkom lichamelijk contact met geaarde oppervlakken, zoals leidingen, radiatoren, fornuizen en koelkasten.** Er is sprake van een

verhoogd risico op een elektrische schok als uw lichaam geaard is.

- c) **Stel elektrische gereedschappen niet bloot aan regen of natte omstandigheden.** Als water in het elektrisch gereedschap binnendringt, verhoogt dit de kans op een elektrische schok.
 - d) **Het snoer niet oneigenlijk gebruiken. Gebruik het snoer nooit om het elektrische gereedschap te dragen of mee te slepen, of om de stekker uit het stopcontact te trekken. Houd het snoer weg bij hete voorwerpen, olie, scherpe randen en/of bewegende onderdelen.** Beschadigde of in de war geraakte snoeren vergroten het risico van een elektrische schok.
 - e) **Als u elektrisch gereedschap buitenshuis gebruikt, dient u altijd een verlengsnoer te gebruiken dat geschikt is voor buitenshuis gebruik.** Het gebruik van een snoer dat geschikt is voor buitenshuis gebruik, zal het risico op een elektrische schok verminderen.
 - f) **Als het gebruik van elektrisch gereedschap in een vochtige ruimte niet kan worden voorkomen, gebruik dan een altijd een aardlekschakelaar.** Het gebruik van een aardlekschakelaar zal het risico op een elektrische schok verminderen.
- 3) Persoonlijke veiligheid**
- a) **Let altijd op en kijk goed uit wat u doet en gebruik uw verstand tijdens het werken met elektrisch gereedschap. Bedien het product niet wanneer u moe of onder invloed van alcohol of drugs bent.** Een ogenblik van onoplettendheid tijdens het werken met elektrische gereedschap kan ernstig persoonlijk letsel tot gevolg hebben.
 - b) **Gebruik persoonlijke beschermingsmiddelen. Draag altijd oogbescherming.** Beschermingsmiddelen zoals een stofmasker, antislip-veiligheidsschoenen, helm, of gehoorbescherming die voor de juiste omstandigheden worden gebruikt, zullen het risico op persoonlijk letsel verminderen.
 - c) **Voorkom het onbedoeld starten. Controleer of de schakelaar in de stand Uit staat, voordat het gereedschap op de voeding of accu wordt aangesloten, wordt opgepakt of gedragen.** Het dragen van elektrische gereedschap met de vinger op de schakelaar, of het inschakelen van elektrisch gereedschap met de schakelaar in de stand Aan, vraagt om ongelukken.
 - d) **Verwijder stelsleutels of steeksleutels voordat u het elektrisch gereedschap inschakelt.** Een moersleutel of andere sleutel die op een draaiend deel van het elektrisch gereedschap blijft zitten, kan persoonlijk letsel tot gevolg hebben.
 - e) **Reik niet buiten uw macht. Blijf altijd stevig en in evenwicht staan.** Hierdoor hebt u in onverwachte situaties een betere controle over het elektrische gereedschap.
 - f) **Draag geschikte kleding. Draag geen losse kleding of sieraden. Houd uw haar, kleding en handschoenen weg bij bewegende onderdelen.** Loszittende kleding, sieraden of lang haar kunnen door bewegende delen worden gegrepen.
 - g) **Als het apparaat wordt geleverd met een aansluiting voor het afzuigen en verzamelen van stof, zorg er dan voor dat deze correct worden aangesloten en gebruikt.** Het gebruik van het afzuigen en verzamelen van stof, kan de aan stof gerelateerde gevaren verminderen.
 - h) **Denk niet dat u wel weet hoe het allemaal werkt, omdat u het gereedschap vaak gebruikt en dat u de veiligheidsbeginselen voor het gebruik van het gereedschap wel kunt negeren.** Een onbezonnen actie kan in een fractie van een seconde ernstig letsel tot gevolg hebben.
- 4) Gebruik en onderhoud van elektrisch gereedschap**
- a) **Forceer het elektrisch gereedschap niet. Gebruik het juiste elektrisch gereedschap voor uw werkzaamheden.** Het juiste elektrische gereedschap klaart de klus beter en veiliger als deze hiervoor is ontworpen.
 - b) **Gebruik het elektrisch gereedschap niet als de schakelaar het apparaat niet in- en uitschakelt.** Elk elektrisch gereedschap dat niet met de schakelaar kan worden bediend is gevaarlijk en moet worden gerepareerd.
 - c) **Neem de stekker van het elektrische gereedschap uit het stopcontact en/of verwijder de accu voordat enige aanpassingen worden uitgevoerd, accessoires worden vervangen of elektrisch gereedschap wordt opgeborgen.** Dergelijke preventieve veiligheidsmaatregelen verminderen het risico op het onbedoeld starten van het elektrische gereedschap.
 - d) **Berg ongebruikt elektrisch gereedschap buiten bereik van kinderen op en sta niet toe dat mensen die onbekend zijn met het elektrische gereedschap of deze instructies, met het**

- elektrische gereedschap werken.** Elektrische gereedschap kan erg gevaarlijk zijn in de handen van ongetrainde gebruikers.
- e) **Onderhoud van elektrisch gereedschap. Controleer op scheve of klemmende bewegende onderdelen, kapotte onderdelen en enige andere omstandigheden die de werking van het elektrische gereedschap kunnen beïnvloeden. Als het elektrisch gereedschap een beschadiging of storing heeft, dient u het eerst te laten repareren.** Veel ongelukken worden veroorzaakt door slecht onderhouden elektrisch gereedschap.
 - f) **Zorg ervoor dat snij- of zaaggereedschap scherp en schoon blijft.** Op de juiste manier onderhouden snij- of zaaggereedschap met scherpe snijranden hebben minder de neiging om beklemd te raken en zijn gemakkelijker te sturen.
 - g) **Gebruik het elektrische gereedschap, de accessoires, bitjes, enz. volgens deze instructies, rekening houdend met de werkomstandigheden en de uit te voeren werkzaamheden.** Gebruik van het elektrisch gereedschap voor andere werkzaamheden dan het bedoelde gebruik, kan een gevaarlijke situatie tot gevolg hebben.
 - h) **Houd handgrepen en greepoppervlakken droog, schoon en vrij van olie en vet.** Gladde handgrepen en greepoppervlakken maken veilig werken en controle over het gereedschap in onverwachte situaties onmogelijk.
- 5) Gebruik en onderhoud van de accu**
- a) **Laad de accu uitsluitend op met de door de fabrikant opgegeven lader.** Een lader die geschikt is voor het ene type accu, kan een risico van brand veroorzaken, wanneer deze bij een andere accu wordt gebruikt.
 - b) **Gebruik elektrisch gereedschap alleen met de daarvoor specifiek aangewezen accu's.** Het gebruik van andere accu's kan een risico op letsel en/of brand tot gevolg hebben.
 - c) **Houd de accu, wanneer deze niet in gebruik is, weg bij metalen voorwerpen zoals paperclips, munten, sleutels, spijkers, schroeven, of andere kleine metalen voorwerpen die een aansluiting tot stand kunnen brengen tussen de ene pool van de accu en de ander.** Kortsluiting tussen polen van de accu kan brandwonden of brand tot gevolg hebben.
 - d) **Wanneer de accu ruw wordt behandeld, kan vloeistof uit de accu komen; vermijd contact hiermee. Als dat per ongeluk toch gebeurt, spoel het aangedane gebied dan met water. Als de vloeistof in contact komt met de ogen, roep dan ook medische hulp in.** Vloeistof afkomstig uit de accu kan irritatie of brandwonden veroorzaken.
 - e) **Gebruik geen accu of gereedschap dat is beschadigd of werd gewijzigd.** Beschadigde of gemodificeerde accu's kunnen onvoorspelbaar gedrag vertonen, wat brand, explosie of een risico van letsel met zich meebrengt.
 - f) **Stel een accu of gereedschap niet bloot aan open vuur of een uitzonderlijk hoge temperatuur.** Blootstelling aan vuur of een temperatuur hoger dan 130 °C, kan een explosie veroorzaken. NB De temperatuur van "130 °C" kan worden vervangen door de temperatuur van "265 °F".
 - g) **Houd u aan alle instructies voor het laden en laad de accu of het gereedschap niet op buiten het temperatuurbereik dat in de instructies wordt aangeduid.** Op een onjuiste wijze laden of laden bij temperaturen buiten het aangeduide bereik kan de accu beschadigen en het risico van brand doen toenemen.
- 6) Onderhoud**
- a) **Laat uw elektrisch gereedschap onderhouden door een gekwalificeerde reparateur die uitsluitend identieke vervangende onderdelen gebruikt.** Dit waarborgt dat de veiligheid van het elektrische gereedschap behouden blijft.
 - b) **Voer nooit onderhoudswerkzaamheden uit aan beschadigde accu's.** Alleen de fabrikant of geautoriseerde serviceproviders mogen onderhoudswerkzaamheden aan accu's uitvoeren.

VEILIGHEIDSWAARSCHUWINGEN VOOR DE HEGGENSCHAAR

- a) **Houd alle lichaamsdelen weg bij het blad. Verwijder geen gemaaid materiaal en houd niet te maaien materiaal vast wanneer de bladen in beweging zijn.** De bladen blijven in beweging als de machine recent is uitgeschakeld. Een ogenblik van onoplettendheid tijdens het werken met de heggenschaar kan ernstig persoonlijk letsel tot gevolg hebben.
- b) **Draag de heggenschaar aan de handgreep, terwijl het blad is gestopt en let op dat u geen enkele knop aanraakt zodat het apparaat nooit per ongeluk kan worden ingeschakeld.** Het op

de juiste manier dragen van de heggenschaar voorkomt het abusievelijk starten en het daaruit volgende persoonlijk letsel als gevolg van de messen.

- c) **Dek de messen altijd af met de mesbeschermer wanneer u de heggenschaar vervoert of opbergt.** Het op de juiste manier dragen van de heggenschaar zorgt voor minder risico op persoonlijk letsel als gevolg van de messen.
- d) **Voorafgaand aan het verwijderen van vastzittend materiaal of het onderhouden van het apparaat, moet eerst worden gecontroleerd of alle schakelaars zijn uitgeschakeld en het accupack verwijderd of losgekoppeld is.** Het tijdens het verwijderen van vastzitten materiaal of tijdens het onderhoud van de heggenschaar, kan het onverwacht inschakelen van de heggenschaar tot ernstig persoonlijk letsel leiden.
- e) **Houd de heggenschaar uitsluitend vast aan de geïsoleerde handgrepen, omdat het blad mogelijk verborgen bedrading kan raken.** Bladen die in contact komen met onder spanning staande bedrading kunnen de metalen delen van de heggenschaar onder spanning zetten en de gebruiker een elektrische schok geven.
- f) **Houd alle netsnoeren en kabels uit de buurt van het maaigebied.** Netsnoeren of kabels kunnen in heggen of struiken zijn verborgen en per ongeluk door het mes worden doorsneden.
- g) **Nooit onder slechte weersomstandigheden met de heggenschaar werken, vooral niet wanneer onweer dreigt.** Hierdoor wordt het risico op blikseminslag voorkomen.

- VEILIGHEIDSWAARSCHUWINGEN VOOR HEGGENSCHAAR MET VERLENGD BEREIK

- a) **Gebruik, om het risico op elektrocutie te verminderen, de heggenschaar met verlengd bereik nooit in de buurt van elektriciteitslijnen.** Contact maken met of gebruiken in de buurt van elektriciteitslijnen kan ernstig letsel of een elektrische schok met de dood tot gevolg veroorzaken.
- b) **Gebruik altijd twee handen tijdens het bedienen van de heggenschaar met verlengd bereik.** Houd de heggenschaar met verlengd bereik met beide handen vast, om het risico op het verliezen van de controle te vermijden.
- c) **Gebruik altijd twee handen tijdens het gebruiken van de heggenschaar met verlengd bereik boven het hoofd.** Vallend vuil kan ernstig persoonlijk letsel veroorzaken.

AANVULLENDE VEILIGHEIDSWAARSCHUWINGEN

- a) **Dit gereedschap is niet bedoeld voor gebruik door personen (waaronder kinderen) met verminderde fysieke, zintuiglijke of psychische vermogens of een gebrek aan kennis of ervaring,** tenzij zij onder toezicht staan of instructies krijgen over het gebruik van het apparaat van iemand die verantwoordelijk is voor hun veiligheid. Kinderen moeten onder toezicht staan zodat zij beslist niet met het apparaat kunnen spelen.
- b) **Houd het elektrische gereedschap tijdens de werkzaamheden stevig met beide handen vast en zorg ervoor dat u stevig staat.** Het elektrische gereedschap wordt met twee handen veiliger geleid.
- c) **Controleer altijd dat alle handgrepen en beschermkappen zijn gemonteerd wanneer u het apparaat gebruikt.** Probeer nooit om een onvolledig apparaat of een apparaat dat zonder goedkeuring aangepast werd te gebruiken.
- d) **Smeer het snijmes altijd met beschermende spray vóór gebruik.**
- e) **Zet de machine altijd pas neer wanneer deze volledig tot stilstand is gekomen.**
- f) **Andere personen en dieren moeten op een afstand van 3 meter blijven wanneer de machine in gebruik is.** De bediener is verantwoordelijk voor derden op de werkplek.
- g) **Grijp het mes van de heggenschaar nooit vast.**
- h) **Kinderen of personen die niet vertrouwd zijn met deze instructies, mogen de heggenschaar niet gebruiken.** Ter plaatse geldende voorschriften kunnen een beperking van de leeftijd van de gebruiker inhouden.
- i) **Snoei een haag nooit als er mensen, vooral kinderen of huisdieren, bij u in de buurt zijn.**
- j) **De gebruiker is aansprakelijk voor ongelukken en gevaarlijke situaties die van invloed zijn op andere mensen of hun bezittingen.**
- k) **Gebruik de heggenschaar nooit op blote voeten of met open sandalen, draag altijd geschikte schoenen en een lange broek.** Het gebruik van stevige handschoenen, anti-slip schoeisel en een veiligheidsbril wordt aanbevolen. Draag geen losse kleding of juwelen die in bewegende delen verstrengeld kan raken.
- l) **Inspecteer het gebied waar de machine gebruikt gaat worden grondig en verwijder alle draden en vreemde voorwerpen.**

- m) **Controleer vóór gebruik de snijmesses, mesbouts en de snijeenheid op beschadiging.** Niet gebruiken met een beschadigd of overmatig versleten snijapparaat.
- n) **Weet hoe u de heggen-schaar snel moet stoppen bij een noodgeval.**
- o) **Trim een haag alleen bij daglicht of goed kunstlicht.**
- p) **Gebruik de heggen-schaar nooit met defecte beschermkappen of zonder de beschermingen.**
- q) **Houd de heggen-schaar nooit vast aan de afscherming.**
- r) **Zorg er tijdens het gebruiken van de heggen-schaar voor om altijd stevig en in evenwicht te staan.**
- s) **Wees u altijd bewust van uw omgeving en blijf alert voor mogelijke gevaren die u mogelijk niet hoort tijdens het gebruiken van de heggen-schaar.**
- t) **Let erop dat alle bouten en moeren en schroeven goed vastzitten zodat u zeker weet dat de heggen-schaar altijd in goed werkende staat is.**
- u) **De heggen-schaar moet worden bewaard op een droge, hoge of vergrendelde plaats, buiten het bereik van kinderen.**
- v) **Vervang voor de veiligheid versleten of beschadigde onderdelen.**
- w) **Probeer niet om de machine te repareren, tenzij u daarvoor gekwalificeerd bent.**
- x) **Houd het product stevig vast met beide handen.**

VEILIGHEIDSWAARSCHUWINGEN VOOR DE ACCU

- a) **Open de accu niet.** Risico op kortsluiting.
- b) **Bescherm de accu tegen hitte, bijv. continu intens zonlicht, vuur, water en vocht.** Gevaar voor ontploffing.
- c) **In geval van beschadiging en verkeerd gebruik van de accu kunnen dampen vrijkomen.** Ventileer de omgeving en zoek medische hulp in geval van klachten. De dampen kunnen tot irritatie van de luchtwegen leiden.
- d) **Gebruik de accu alleen in combinatie met uw Vonroc-product.** Deze maatregel beschermt de accu tegen gevaarlijke overbelasting.
- e) **De accu kan beschadigd raken door puntige voorwerpen zoals spijkers of schroevendraaiers of door geweld van buitenaf.** Er kan interne kortsluiting optreden en de accu kan gaan branden, roken, exploderen of oververhit raken.

VEILIGHEIDSWAARSCHUWINGEN VOOR DE LADER

Bedoeld gebruik

Uitsluitend CD801AA en CD803AA-type oplaadbare accu's met de lader opladen. Alle andere accu's kunnen openbarsten waardoor persoonlijk letsel en materiële schade ontstaat.

- a) **Het apparaat mag niet worden gebruikt door personen (inclusief kinderen) met verminderde fysieke, zintuiglijke of psychische vermogens of met een gebrek aan ervaring en kennis, tenzij zij onder toezicht staan of instructies hebben gekregen.**
- b) **Kinderen die onder toezicht staan mogen niet met het apparaat spelen.**
- c) **Niet-oplaadbare accu's niet opladen!**
- d) **Tijdens het opladen moeten de accu's in een goed geventileerde ruimte worden geplaatst!**

Elektrische veiligheid



Controleer altijd of de stroomvoorziening overeenkomt met de spanning die wordt vermeld op het typeplaatje.

- Gebruik het apparaat niet als het netsnoer of de stekker van het netsnoer is beschadigd.
- Gebruik alleen verlengkabels die geschikt zijn voor het vermogen van het apparaat met een minimale dikte van 1,5 mm². Als u een verlengkabel op een katrol gebruikt, dient deze te allen tijde volledig afgerold te zijn.

2. INFORMATIE OVER HET APPARAAT

Bedoeld gebruik

De machine is bedoeld voor huishoudelijk gebruik, voor het snoeien en trimmen van hagen en struiken op hoogte, terwijl de gebruiker op de grond staat. De machine is niet bedoeld om te worden gebruikt op een ladder of opstapje. De machine is niet ontworpen om gras te maaien en kan niet als een grasmaaier gebruikt worden. Dit gereedschap is niet bedoeld voor commercieel of industrieel gebruik.


TECHNISCHE SPECIFICATIES





Deze gebruiksaanwijzing is opgesteld voor verschillende sets / artikelnummers. Controleer het bijbehorende artikelnummer in de onderstaande specificaties voor de juiste samenstelling en inhoud van uw set.


Modelnr.	Accu's meegeleverd	Laders meegeleverd
HT503DC	-	-
S_HT503DC	CD801AA	CD802AA
S2_HT503DC	2 x CD801AA	CD802AA
S3_HT503DC	CD803AA	CD802AA

Informatie over het apparaat

Spanning	20V 
Slagsnelheid onbelast	1200 / min
Bladlengte	36 cm
Opening van de tanden	23 mm
Lengte-aanpassing	200 - 260cm
Geluidsdrumniveau (LpA)	77,9 dB k=3 dB
Geluidsvermogniveau (LWA)	87,8dB k=3 dB
Gegarandeerd LWA	91 dB
Trillingen	voorste handgreep ah=2,55 m/s ²
	achterste handgreep ah=2,48 m/s ²
	K=1,5 m/s ²
Gewicht	2,3 kg

Modelnr.	CD801AA
Type accu	Lithium-ion
Spanning	20V 
Vermogen	2.0 Ah
Aanbevolen lader	CD802AA
Gewicht	0,3 kg

Modelnr.	CD802AA
Ingang lader	220-240V, 50Hz 0.4A
Uitgang lader	21V  2.5A
Laadtijd 2Ah accu	60 minuten
Laadtijd 4Ah accu	120 minuten
Aanbevolen accu's	CD801AA, CD803AA
Gewicht	0,36 kg

Modelnr.	CD803AA
Type accu	Lithium-ion
Spanning	20V 
Vermogen	4.0 Ah
Aanbevolen lader	CD802AA
Gewicht	0,65 kg

Gebruik uitsluitend de volgende accu's van het VONROC POWER 20V accu-platform. Gebruik van andere accu's kan leiden tot ernstig letsel of tot beschadiging van het gereedschap.
 CD801AA 20 V, 2 Ah Lithium-ion
 CD803AA 20 V, 4 Ah Lithium-ion

De volgende lader kan worden gebruikt voor het opladen van deze accu's.
 CD802AA Snellader

De accu's van het VONROC POWER 20V accu-platform kunnen worden gewisseld tussen alle gereedschappen van het VONROC POWER 20V accu-platform.

BESCHRIJVING

De nummers in de tekst verwijzen naar de afbeeldingen op pagina's 2-5.

1. Kop van de heggenschaar
2. Knop voor kopaanpassing
3. Vergrendelring kop
4. Mes heggenschaar
5. Handgreep vergrendelhendel
6. Aan-/uitschakelaar
7. Uitschuifbare handgreep
8. Voedingsaansluiting
9. Schouderriem
10. Karabijnhaak
11. Beschermingsleuf
12. Accu
13. Acculader
14. Vrijgaveknop accu
15. Knop LED-indicatielampjes accu
16. LED-indicatielampjes accu
17. LED-indicatielampjes lader

3. MONTAGE



Verwijder de accu uit het elektrisch gereedschap vóór het uitvoeren van werkzaamheden (onderhoud, vervangen van gereedschap, montage).



De accu moet voor het eerste gebruik worden opgeladen.

De accu in het apparaat plaatsen (Afb. B-1)

Controleer of de buitenzijde van de accu schoon en droog is voordat u de accu in de lader of de machine steekt.

1. Steek de accu (12) in de voet van het apparaat, zoals wordt weergegeven in Afb. B-1.
2. Duw de accu verder naar voren totdat deze op z'n plaats klikt.

De accu uit het apparaat nemen (Afb. B-1)

1. Duw op de vrijgaveknop (14) van de accu.
2. Haal de accu uit de machine, zoals wordt weergegeven in Afb. B-1.

De laadstatus van de accu controleren (Afb. B-2)

- U kunt de laadstatus van de accu controleren door kort op de knop (15) op de accu te drukken.
- De accu heeft 3 indicatielampjes die de laadstatus aanduiden, hoe meer lampjes er branden, des te meer lading de accu nog heeft.
- Wanneer de lampjes niet branden, betekent dit dat de accu leeg is en de accu onmiddellijk moet worden opgeladen.

De accu opladen met de lader (Afb. B-2)

1. Neem de accu (12) uit de machine.
2. Draai de accu (12) ondersteboven en schuif de accu in de lader (13), zoals wordt weergegeven op Afb. B-2.
3. Duw de accu aan tot deze geheel in de sleuf is geduwd.
4. Steek de stekker van de lader in een stopcontact en wacht een ogenblik. De LED-indicatielampjes op de machine (17) zullen gaan branden en de laadstatus weergeven

De lader heeft 2 LED-indicatielampjes (17) die de status van het laadproces weergeven:

Rood LED Status	Groen LED Status	Lader - Status
Uit	Uit	Geen voeding
Uit	Aan	Stand-bymodus: - Geen accu geplaatst, of - Accu is geplaatst, maar het laden is voltooid
Aan	Uit	Bezig met het laden van de accu

- Het volledig opladen van de 2Ah-accu kan tot 60 minuten in beslag nemen.
- Het volledig opladen van de 4Ah accu kan tot 120 minuten in beslag nemen.

Als de accu volledig is geladen, trekt u de stekker van de lader uit het stopcontact en neemt u de accu uit de lader.



Wanneer het apparaat gedurende langere tijd niet wordt gebruikt, kunt u de accu het beste in geladen toestand opbergen.

Gereedschap monteren (Afb. C, D)

- Bevestig de schouderriem (9) op de lus op de handgreep (7) met de karabijnhaak (10).
- Zet de vergrendelring van de kop (3) los door deze linksom te draaien. Haal de ring niet volledig van de kop.
- Plaats de kop van de heggenschaar (1) op de uitschuifbare handgreep (7) door de voedingsaansluiting (8) in de kop te plaatsen.
- Als de aansluiting (8) niet goed geplaatst is, is er mogelijk geen elektrische verbinding en zal het gereedschap niet werken. Zorg ervoor dat de voedingsaansluiting volledig in de kop van de heggenschaar steekt. De schroef (18) op de handgreep moet worden bedekt door de kop van de heggenschaar (1) en de vergrendelring (3).
- Zet de kop van de heggenschaar (1) door de vergrendelring (3) rechtsom te draaien



Maak de riem nooit diagonaal over de schouders en borst vast, plaats deze op een van de schouders. Op deze manier kunt u het gereedschap snel van uw lichaam halen in geval van gevaar.

De uitschuifhoogte aanpassen (Afb. E-1, E-2)

- Ontgrendel de hendel (5) om de uitschuifbare handgreep los te maken (7).
- Schuif de uitschuifbare handgreep (7) uit of trek deze in tot de gewenste lengte.
- Zet de uitschuifbare handgreep vast door de hendel te vergrendelen (5).

De draaikop van de heggenschaar aanpassen (Afb. F-1, F-2)

- Druk op de knop (2) op de zijkant van de kop van de heggenschaar (1).
- Draai de kop in de gewenste stand.
- Geef de knop (2) vrok en zorg ervoor dat de kop op zijn plaats vergrendeld is.

4. WERKING**Vóór gebruik (Afb. G)**

Verwijder de mesbeschermkap (11) en smeer de messen (4).

In- en uitschakelen

Houd de heggenschaar altijd vast met beide handen. Plaats één hand op de uitschuifbare handgreep (7) en één hand op de achterste handgreep naast de aan-/uitschakelaar. Houd de aan-/uitschakelaar (6) ingedrukt om de machine te bedienen. Wanneer de aan-/uitschakelaar wordt losgelaten, zal de machine automatisch stoppen.

Na gebruik

Veeg stof en vuil van de messen (4) met een borstel of doek. Smeer de messen, plaats de mesbeschermkap (11) en verwijder de accu (12) voordat u de machine opbergt.

5. ONDERHOUD

Voorafgaand aan het reinigen en het onderhoud dient de machine te allen tijde uitgeschakeld te worden en moet de stekker uit het stopcontact worden genomen.

Maak de behuizing van het apparaat regelmatig schoon met een zachte doek, bij voorkeur na ieder gebruik. Controleer of de ventilatieopeningen vrij zijn van stof en vuil. Verwijder hardnekkig vuil met een zachte doek vochtig gemaakt met een zeepop-

lossing. Gebruik geen oplosmiddelen zoals benzine, alcohol, ammoniak, enz. Chemicaliën zoals deze zullen de synthetische onderdelen beschadigen.

Maaiblad

- Draag altijd handschoenen wanneer u het snijmes hanteert of schoonmaakt.
- Maak het maaiblad schoon en spuit er na gebruik steeds wat beschermende olie op. Wij adviseren u tijdens lange werkperiodes het maaiblad regelmatig met een beschermende olie te smeren.
- Inspecteer de toestand van het snijmes visueel. Controleer of de schroeven stevig in de snijstang zitten.

Opslag

De heggenschaar moet op een veilige droge plaats worden bewaard, goed buiten bereik van kinderen. Plaats er geen andere voorwerpen bovenop.

MILIEU

Niet goed functionerende en/of afgedankte elektrische of elektronische apparaten moeten bij de juiste inzamelpunten voor recycling worden aangeboden.

Alleen voor landen in de EG

Gooi geen elektrisch gereedschap bij het huisvuil. Volgens de Europese richtlijnen 2012/19/EC betreffende afgedankte elektrische en elektronische apparatuur en de implementatie hiervan in nationaal recht, moeten elektrische gereedschappen die niet langer gebruikt worden apart ingezameld en weggegooid worden op een milieuvriendelijk manier.

GARANTIE

Producten van VONROC worden op basis van de hoogste kwaliteitsnormen ontwikkeld en zijn gegarandeerd vrij van defecten, zowel voor wat betreft het materiaal als de afwerking, gedurende de door de wet bepaalde periode, startend vanaf de datum van de originele aankoop. Mocht het product gedurende deze periode enige storingen vertonen als gevolg van gebrekkig materiaal en/of gebrekkige afwerking, dient direct contact met VONROC opgenomen te worden.

De volgende omstandigheden zijn uitgesloten van de garantie:

- Reparatie en/of wijzigingen die door en niet erkend servicecentrum aan de machine werd/ werden aangebracht of waartoe een poging werd ondernomen;
- Normale slijtage;
- Het gereedschap werd misbruikt, verkeerd werd gebruikt en/of onjuist werd onderhouden;
- Niet-originele reserveonderdelen werden gebruikt.

Dit betreft de enige garantie die door de organisatie, impliciet of expliciet, wordt aangeboden. Geen andere garanties, impliciet noch expliciet, die verder strekken dan deze garantie, inclusief de impliciete garanties inzake de verkoopbaarheid en geschiktheid voor een specifiek doel. In geen geval zal VONROC aansprakelijk zijn voor incidentele schade of gevolgschade. De oplossingen van de dealers zullen beperkt zijn tot de reparatie of het vervangen van niet-conforme eenheden of onderdelen.

Het product en de gebruiksaanwijzing kunnen worden gewijzigd. Specificaties kunnen zonder voorafgaande kennisgeving worden gewijzigd.

1. CONSIGNES DE SÉCURITÉ

Veillez à bien lire les avertissements de sécurité, les avertissements supplémentaires de sécurité ainsi que toutes les instructions jointes. Le non-respect des avertissements de sécurité et des consignes peut entraîner des décharges électriques, des incendies et/ou de graves blessures. Conservez tous les avertissements et toutes les instructions liées à la sécurité afin de pouvoir vous y référer dans le futur.

Les symboles qui suivent sont utilisés dans la notice d'utilisation ou sur le produit :



Lisez la notice d'utilisation.



Indique un risque de blessure, de décès ou de détérioration de l'outil en cas de non-respect des consignes de cette notice.



Risque de décharge électrique.



Température maxi 45°C.



Ne jetez pas la batterie au feu.



Ne jetez pas la batterie dans l'eau.



Portez un casque pour protéger votre tête.



Portez des lunettes de protection.



N'exposez pas l'équipement à la pluie.



Gardez vos mains loin de la lame.



Attention à la projection d'objets. Gardez à distance les éventuelles personnes à proximité.



Tenez le produit à l'écart des lignes à haute tension ! À une distance minimum de 10 mètres.



Machine de classe II - À double isolation - Aucune prise de terre n'est nécessaire.



Fusible miniature avec temporisateur.



Recyclez la batterie Li-Ion.



Ne jetez pas le produit de façon inappropriée.



Le produit est conforme aux normes de sécurité en vigueur des directives européennes.

AVERTISSEMENTS DE SÉCURITÉ GÉNÉRALE PROPRES AUX OUTILS ÉLECTRIQUES



AVERTISSEMENT ! Veillez à lire tous les avertissements sur la sécurité et toutes les instructions. Le non-respect des avertissements et des instructions peut entraîner des décharges électriques, des incendies et/ou de graves blessures.

Conservez tous les avertissements et toutes les instructions afin de pouvoir vous y référer dans le futur.

Le terme "outil électrique" mentionné dans les avertissements fait référence à vos outils électriques branchés sur secteur (avec câble) ou fonctionnant sur pile ou batterie (sans fil).

1) Sécurité de la zone de travail

- a) **Maintenez la zone de travail propre et bien éclairée.** Les zones sombres ou encombrées sont propices aux accidents.
- b) **N'utilisez pas d'outils électriques dans un environnement présentant des risques d'explosion ou en présence de liquides, gaz ou poussières inflammables.** Les outils électriques créent des étincelles qui peuvent enflammer les poussières et les fumées.
- c) **Maintenez les enfants et les autres personnes éloignés lorsqu'un outil électrique est en marche.** Toute distraction peut vous faire perdre le contrôle de l'outil.

2) Sécurité électrique

- a) **Les prises des outils électriques doivent correspondre à la prise de courant murale. Ne modifiez jamais la prise d'aucune sorte. N'utilisez aucun adaptateur avec des outils électriques reliés à la terre.** L'utilisation de prises d'origine non modifiées et de prises murales appropriées permet de réduire le risque de décharge électrique.
- b) **Évitez tout contact physique avec des surfaces reliées à la terre comme des tuyaux, des radiateurs, des fours et des réfrigérateurs par**

exemple. Le risque de décharge électrique augmente lorsque votre corps est relié à la terre.

- c) **N'exposez pas les outils électriques à la pluie, ni à l'humidité.** Le risque de décharge électrique augmente si de l'eau pénètre dans un outil électrique.
- d) **Ne tirez pas sur le cordon d'alimentation. N'utilisez jamais le cordon pour transporter, tirer ou débrancher l'outil électrique. Maintenez le cordon à l'écart de la chaleur, des substances grasses, des bords tranchants ou des pièces mobiles.** Les cordons endommagés ou emmêlés augmentent les risques de décharges électriques.
- e) **Si vous utilisez un outil électrique à l'extérieur, utilisez une rallonge homologuée pour les travaux à l'extérieur.** L'utilisation d'une rallonge électrique homologuée pour les travaux à l'extérieur réduit le risque de décharge électrique.
- f) **Si l'utilisation d'un outil électrique dans un endroit humide est inévitable, utilisez une alimentation électrique protégée par un disjoncteur différentiel à courant résiduel (DDR).** L'utilisation d'un DDR réduit le risque de décharge électrique.

3) Sécurité des personnes

- a) **Restez vigilant, surveillez ce que vous faites et faites preuve de bon sens lorsque vous utilisez un outil électrique. N'utilisez pas d'outils si vous êtes fatigué ou sous l'influence de drogue, d'alcool ou de médicaments.** Tout moment d'inattention pendant l'utilisation d'un outil électrique peut engendrer de graves blessures.
- b) **Portez des équipements de protection individuelle. Veillez à toujours porter une protection oculaire.** Les équipements de protection comme les masques à poussière, les chaussures de sécurité antidérapantes, les casques ou les protections auditives réduisent le risque de blessures s'ils sont utilisés à bon escient.
- c) **Empêchez tout démarrage intempestif. Veillez à ce l'interrupteur soit sur la position Arrêt avant de raccorder l'outil à l'alimentation électrique et/ou au bloc-batterie ou avant de ramasser ou de transporter l'outil.** Le fait de transporter les outils électriques le doigt sur l'interrupteur ou d'alimenter les outils électriques dont l'interrupteur est déjà en position de marche augmente le risque d'accidents.

- d) **Retirez toutes les clés ou pinces de réglage avant de mettre l'outil en marche.** Une clé ou une pince restée fixée sur une pièce rotative de l'outil électrique peut engendrer des blessures.
- e) **Ne vous penchez pas. Gardez les pieds bien ancrés au sol et conservez votre équilibre en permanence.** Cela permet de mieux maîtriser l'outil électrique en cas de situations imprévues.
- f) **Portez des vêtements appropriés. Ne portez aucuns vêtements amples, ni bijoux. Gardez vos cheveux, vos vêtements et vos gants éloignés des pièces mobiles.** Les vêtements amples, les bijoux et les cheveux longs peuvent se trouver pris dans les pièces mobiles.
- g) **Si vous disposez de dispositifs pour le raccordement d'un extracteur de poussière ou d'installations pour la récupération, assurez-vous qu'ils sont correctement raccordés et utilisés.** L'utilisation de dispositifs récupérateurs de poussière peut réduire les risques liés aux poussières.
- h) **Ne pensez pas être familiarisé avec l'outil après l'avoir utilisé à de nombreuses reprises, au point de ne plus rester vigilant et d'en oublier les consignes de sécurité.** Toute action imprudente peut engendrer de graves blessures en une fraction de seconde.
- 4) Utiliser et entretenir un outil électrique**
- a) **Ne forcez pas sur l'outil. Utilisez l'outil électrique approprié, adapté pour le travail à réaliser.** Un outil adapté fonctionne mieux, de façon plus sûre et à la cadence pour laquelle il a été conçu.
- b) **N'utilisez pas l'outil électrique si l'interrupteur ne permet plus de le mettre en marche et de l'éteindre.** Tout outil électrique qui ne peut plus être commandé par son interrupteur est dangereux et il doit être réparé.
- c) **Débranchez la prise de courant et/ou retirez le bloc-batterie de l'outil électrique avant d'effectuer tout réglage, de changer un accessoire ou de ranger l'outil électrique.** Ces mesures de sécurité préventives réduisent le risque de démarrage accidentel de l'outil électrique.
- d) **Rangez les outils électriques non utilisés hors de portée des enfants et ne laissez aucune personne ne connaissant pas ces outils ou ces consignes les faire fonctionner.** Les outils électriques peuvent être dangereux entre des mains inexpérimentées.
- e) **Veillez à bien entretenir vos outils électriques. Vérifiez que les pièces mobiles sont alignées correctement et qu'elles ne sont pas coincées. Vérifiez qu'aucune pièce n'est cassée et contrôlez l'absence de toute autre condition qui pourrait nuire au bon fonctionnement de l'outil. En cas de dommage, faites réparer l'outil électrique avant de le réutiliser.** De nombreux accidents sont provoqués par des outils électriques mal entretenus.
- f) **Maintenez les organes de coupe affûtés et propres.** Des organes de coupe bien entretenus et dont le tranchant est affûté sont moins susceptibles de rester coincés et ils sont plus faciles à contrôler.
- g) **Utilisez les outils électriques, les accessoires et les embouts d'outil conformément à ces instructions, en tenant compte des conditions de travail, ainsi que du travail à effectuer.** L'utilisation d'un outil électrique à d'autres fins que celles pour lesquelles il a été prévu peut entraîner des situations dangereuses.
- h) **Gardez les poignées et les surfaces de préhension sèches, propres et sans trace d'huile et de graisse.** Des poignées et des surfaces de préhension glissantes ne permettent pas de manipuler et de contrôler l'outil correctement en cas de situations inattendues.
- 5) Utiliser et entretenir des outils fonctionnant sur batterie**
- a) **Veillez à n'effectuer la recharge qu'à l'aide du chargeur spécifié par le fabricant.** Un chargeur adapté pour un type de bloc-batterie peut engendrer un risque d'incendie s'il est utilisé avec un bloc-batterie différent.
- b) **N'utilisez les outils électriques qu'avec les blocs-batteries qui leur sont dédiés.** L'utilisation d'autres blocs-batteries peut créer un risque de blessures et d'incendie.
- c) **Lorsque le bloc-batterie n'est pas utilisé, éloignez-le des objets métalliques comme les trombones, les pièces de monnaie, les clés, les clous, les vis ou les autres petits objets qui pourraient créer un contact entre les deux bornes.** La mise en court-circuit des bornes d'une batterie peut provoquer des brûlures ou un incendie.

- d) **Dans des conditions extrêmes, du liquide peut être éjecté de la batterie. Évitez tout contact. En cas de contact accidentel, rincez à l'eau. En cas de contact avec les yeux, consultez en plus un médecin.** Le liquide sortant de la batterie peut provoquer des irritations ou des brûlures.
- e) **N'utilisez pas un bloc-batterie ou un outil qui est endommagé ou qui a été modifié.** Un bloc-batterie endommagé ou modifié peut avoir un comportement imprévisible qui peut entraîner un incendie, une explosion ou à un risque de blessure.
- f) **N'exposez ni le bloc-batterie ni l'outil au feu ou à des températures excessives.** L'exposition au feu ou à des températures dépassant 130 °C peut provoquer une explosion. REMARQUE La température de "130°C" équivaut à la température de "265°F".
- g) **Respectez toutes les instructions liées à la charge et ne rechargez pas le bloc-batterie ou l'outil en dehors de la plage de températures spécifiée dans les instructions.** Une charge mal effectuée ou à des températures hors de la plage spécifiée peut endommager la batterie et augmente le risque d'incendie.
- 6) Service**
- a) **Ne faites réviser/réparer votre outil électrique que par un réparateur qualifié qui n'utilise que des pièces détachées d'origine.** Cela permet de garantir la sûreté de l'outil électrique.
- b) **Ne réparez jamais des blocs-batteries endommagés.** Les réparations sur les blocs-batteries ne doivent être effectuées que par le fabricant ou l'un de ses prestataires de services agréés.

AVERTISSEMENTS DE SÉCURITÉ PROPRES AUX TAILLE-HAIES

- a) **Gardez toutes les parties de votre corps loin de la lame. Ne retirez pas les chutes et ne tenez pas les éléments à couper lorsque les lames sont en mouvement.** Les lames continuent à bouger après l'extinction de l'outil. Tout moment d'inattention pendant l'utilisation du taille-haie peut entraîner de graves blessures.
- b) **Portez le taille-haie par la poignée, lame arrêtée et en prenant soin de ne pas actionner l'interrupteur.** Porter le taille-haie correctement permet de réduire le risque de démarrage intempestif et les blessures dues aux lames.
- c) **Installez toujours le fourreau sur la lame avant de transporter ou de ranger le taille-haie.** Manipuler le taille-haie correctement permet de réduire le risque de blessures dues aux lames.
- d) **Pour supprimer un bourrage ou entretenir l'équipement, veillez à ce que tous les interrupteurs soient sur la position Arrêt et que le bloc-batterie ait été retiré ou débranché.** La mise en marche accidentelle du taille-haie pendant la suppression d'un bourrage ou une opération d'entretien peut occasionner de graves blessures.
- e) **Ne tenez le taille-haie que par ses surfaces de préhension isolées car il est possible que la lame entre en contact avec des fils cachés.** Tout contact de la lame avec un fil sous tension peut mettre les parties métalliques exposées du taille-haie sous tension et occasionner une décharge électrique à l'utilisateur.
- f) **Gardez tous les cordons d'alimentation et les autres câbles loin de la zone de coupe.** Il se peut que des cordons ou des fils soient cachés dans les haies ou les buissons et ils peuvent être accidentellement sectionnés par la lame.
- g) **N'utilisez pas le taille-haie en cas d'intempéries et particulièrement en cas d'orage.** Cela permet de réduire le risque d'être frappé par la foudre.

AVERTISSEMENTS DE SÉCURITÉ PROPRES AUX TAILLE-HAIES À LONGUE PORTÉE

- a) **Afin de réduire le risque d'électrocution, n'utilisez jamais le taille-haie à sa portée maximum lorsqu'il est près de lignes électriques.** Tout contact avec des lignes électriques ou toute utilisation de l'outil près de ces dernières peut occasionner de graves blessures ou une électrocution mortelle.
- b) **Utilisez toujours vos deux mains lorsque vous utilisez le taille-haie à longue portée.** Veillez à toujours utiliser le taille-haie longue portée à deux mains afin d'éviter la perte de contrôle.
- c) **Veillez à toujours porter un casque lorsque vous utilisez le taille-haie longue portée au-dessus de votre tête.** La chute de débris peut occasionner de graves blessures.

AVERTISSEMENTS DE SÉCURITÉ SUPPLÉMENTAIRES

- a) **Cet outil n'est pas prévu pour être utilisé par des personnes (y compris des enfants) aux capacités physiques, sensorielles ou intellec-**

- uelles réduites ou sans expérience ni connaissances**, à moins qu'elles ne soient surveillées ou qu'elles n'aient été formées sur la façon d'utiliser l'appareil, par une personne responsable de leur sécurité. Les enfants doivent être surveillés afin de garantir qu'ils ne jouent pas avec l'appareil.
- b) **Lorsque vous travaillez avec la machine, veillez à toujours la tenir fermement à deux mains et à garder une posture stable.** Il est plus facile et plus sûr de guider l'outil électrique à deux mains.
- c) **Assurez-vous toujours que toutes les poignées et tous les dispositifs de protection sont correctement installés avant d'utiliser l'outil.** Ne tentez jamais d'utiliser une machine incomplète ou qui a subi une modification non autorisée.
- d) **Veillez à toujours lubrifier la lame de coupe à l'aide d'un spray de protection avant l'utilisation.**
- e) **Attendez toujours que la machine se soit complètement arrêtée avant de la poser.**
- f) **Les personnes et les animaux à proximité doivent rester à une distance de 3 mètres au moins, pendant l'utilisation de la machine.**
L'utilisateur est responsable des tiers présents dans la zone de travail.
- g) **N'attrapez jamais le taille-haie par la lame.**
- h) **Les enfants et les personnes non familiarisées avec la présente notice ne doivent pas utiliser le taille-haie.** Il se peut que la réglementation locale impose des restrictions quant à l'âge de l'utilisateur.
- i) **Ne taillez jamais de haie si des personnes, et notamment des enfants ou des animaux, sont à proximité.**
- j) **L'utilisateur est responsable des accidents subis et des risques encourus par les autres personnes et leurs biens.**
- k) **N'utilisez pas le taille-haie pieds nus ou en sandales. Veillez à toujours porter des chaussures solides et un pantalon.** Le port de gants épais, de chaussures antidérapantes et de lunettes de protection est recommandé. Ne portez pas de vêtements amples ou de bijoux qui pourraient être happés par les pièces mobiles.
- l) **Vérifiez toujours soigneusement la zone où le taille-haie soit être utilisé et retirez tous les fils métalliques et autres corps étrangers.**
- m) **Avant de commencer à travailler, contrôlez l'absence de dommage sur les lames, les boulons et l'ensemble de coupe.** Ne faites pas fonctionner la machine si l'organe de coupe est endommagé ou excessivement usé.
- n) **Apprenez comment arrêter rapidement le taille-haie en cas d'urgence.**
- o) **Ne taillez qu'à la lumière du jour ou avec un excellent éclairage artificiel.**
- p) **Ne faites jamais fonctionner le taille-haie si les systèmes de protection sont défectueux ou s'ils ne sont pas en place.**
- q) **Ne tenez jamais le taille-haie par le carter de protection.**
- r) **Pour utiliser le taille-haie, gardez les pieds bien ancrés au sol et conservez votre équilibre en permanence.**
- s) **Soyez toujours attentif à ce qui vous entoure et restez vigilant par rapport aux risques possibles que vous ne pourriez pas entendre quand le taille-haie est en marche.**
- t) **Veillez à ce que tous les boulons et toutes les vis restent bien serrées afin de garantir que l'appareil peut fonctionner en toute sécurité.**
- u) **Le taille-haie doit être rangé dans un endroit au sec, surélevé et verrouillé, hors de portée des enfants.**
- v) **Pour votre sécurité, remplacez les pièces usées ou endommagées.**
- w) **Ne tentez pas de réparer la machine si vous n'êtes pas qualifié pour le faire.**
- x) **Tentez le produit à deux mains.**

AVERTISSEMENTS DE SÉCURITÉ CONCERNANT LA BATTERIE

- a) **N'ouvrez pas la batterie.** Risque de court-circuit.
- b) **Protégez la batterie de la chaleur, des rayons directs du soleil continus et intenses, du feu, de l'eau et de l'humidité.** Risque d'explosion.
- c) **En cas de dommage ou de mauvaise utilisation, la batterie peut émettre des vapeurs. Aérez la zone et faites appel à un médecin en cas d'affection.** Les vapeurs peuvent irriter le système respiratoire.
- d) **N'utilisez la batterie qu'avec votre produit Vonroc.** Cette seule mesure permet de protéger la batterie des surcharges dangereuses.
- e) **La batterie peut être endommagée par des objets pointus comme des clous ou des embouts de tournevis ou si elle subit une force extérieure excessive.** Un court-circuit interne

est alors possible et la batterie peut alors s'enflammer, fumer, exploser ou surchauffer.

AVERTISSEMENTS DE SÉCURITÉ CONCERNANT LE CHARGEUR

Utilisation prévue

Avec ce chargeur ne rechargez que les blocs-batteries rechargeables CD801AA et CD803AA. Les autres types de batteries peuvent éclater et provoquer des blessures ou des dommages.

- a) **L'appareil ne doit pas être utilisé par des personnes (y compris des enfants) aux capacités physiques, sensorielles ou intellectuelles réduites ou qui manquent d'expérience et de connaissances, à moins qu'elles ne soient supervisées ou qu'elles n'aient été formées.**
- b) **Les enfants doivent être surveillés afin de garantir qu'ils ne jouent pas avec l'appareil.**
- c) **Ne rechargez jamais des piles non rechargeables !**
- d) **Pendant la charge, les batteries doivent être placées dans un endroit bien aéré !**

Sécurité électrique



Contrôlez toujours que la tension de l'alimentation électrique correspond à la tension mentionnée sur la plaque signalétique.

- N'utilisez pas la machine si son câble ou la prise électriques sont endommagés.
- N'utilisez que des rallonges adaptées à la puissance nominale de la machine et de 1,5 mm² de section minimum. Si vous utilisez une rallonge sur un enrouleur, veillez à complètement dérouler le câble.

2. INFORMATIONS SUR LA MACHINE

Utilisation prévue

La machine est destinée à un usage domestique, pour couper et tailler les haies et les buissons de grande hauteur, tout en restant au sol. La machine n'est pas destinée à être utilisée sur une échelle ou des escaliers. La machine n'est pas destinée à couper l'herbe et elle ne peut pas servir de coupe-bordure. Cet outil n'est pas destiné à un usage commercial ou industriel.

CARACTÉRISTIQUES TECHNIQUES





Cette notice a été élaborée pour plusieurs kits / numéros d'articles différents. Consultez le numéro d'article correspondant à votre produit dans le tableau des caractéristiques qui suit pour connaître la composition et le contenu corrects de votre kit.

N° de modèle	Batteries fournies	Chargeurs fournis
HT503DC	-	-
S_ HT503DC	CD801AA	CD802AA
S2_ HT503DC	2 x CD801AA	CD802AA
S3_ HT503DC	CD803AA	CD802AA

Informations sur la machine	
Tension	20V
Course nominale à vide	1200/min
Longueur de la lame	36 cm
Ouverture des dents	23 mm
Réglage en longueur	200-260cm
Niveau de pression sonore (Lpa)	77,9dB, k=3dB
Niveau de puissance sonore (LWA)	87,8dB, k=3dB
LWA garanti	91dB
Vibrations	poignée avant ah=2,55m/s ²
	poignée arrière ah=2,48m/s ²
	K=1,5m/s ²
Poids	2,3 kg

N° de modèle	CD801AA
Type de batterie	Lithium-Ion
Tension	20V
Capacité	2.0 Ah
Chargeur recommandé	CD802AA
Poids	0,3 kg

N° de modèle	CD802AA
Entrée chargeur	220-240V, 50Hz 0,4A
Sortie chargeur	21V  2,5A
Durée de charge batterie 2Ah	60 minutes
Durée de charge batterie 4Ah	120 minutes
Batteries recommandées	CD801AA, CD803AA
Poids	0,36 kg

N° de modèle	CD803AA
Type de batterie	Lithium-Ion
Tension	20V 
Capacité	4.0 Ah
Chargeur recommandé	CD802AA
Poids	0,65 kg

N'utilisez que les batteries suivantes de la plateforme Batterie VONROC VPOWER 20V. L'utilisation de toute autre batterie pourrait provoquer de graves blessures ou endommager l'outil.

CD801AA 20V, 2Ah Lithium-Ion
CD803AA 20V, 4Ah Lithium-Ion

Le chargeur suivant peut être utilisé pour recharger ces batteries.

CD802AA Chargeur rapide

Les batteries de la plateforme Batterie VONROC VPOWER 20V sont interchangeables pour tous les outils de la plateforme Batterie VONROC VPOWER 20V.

PRÉSENTATION

Les numéros dans le texte font référence aux diagrammes des pages 2 - 5.

1. Tête du taille-haie
2. Bouton de réglage de la tête
3. Bauge de verrouillage de la tête
4. Lame du taille-haie
5. Levier de verrouillage du manche
6. Interrupteur
7. Manche télescopique
8. Connecteur électrique
9. Bandoulière
10. Mousqueton
11. Manchon de protection

12. Batterie
13. Chargeur de batterie
14. Bouton de libération de la batterie
15. Bouton Voyants LED de la batterie
16. Voyants LED de la batterie
17. Voyants LED du chargeur

3. ASSEMBLAGE



Avant de commencer à travailler sur l'outil (maintenance, remplacement d'une pièce, assemblage), retirez-en la batterie.



La batterie doit être chargée avant la première utilisation.

Installer la batterie dans la machine (Fig. B-1)

Veillez à ce que l'extérieur de la batterie soit propre et sec avant de la raccorder au chargeur ou à la machine.

1. Insérez la batterie (12) dans la base de la machine comme illustré par la Fig. B-1.
2. Enfoncez la batterie jusqu'à ce qu'elle s'enclenche en place.

Retirer la batterie de la machine (Fig. B-1)

1. Enfoncez la bouton de libération de la batterie (14).
2. Tirez la batterie hors de la machine, comme illustré par la Fig. B-1.

Contrôler le niveau de charge de la batterie (Fig. B-2)

- Pour contrôler le niveau de charge de la batterie appuyez brièvement sur le bouton (15) sur la batterie.
- La batterie intègre 3 voyants qui indiquent le niveau de charge. Plus il y a de voyants allumés, plus le niveau de charge restant est élevé.
- Si les voyants ne s'allument pas, cela indique que la batterie est vide et qu'elle doit être rechargée immédiatement.

Recharger la batterie à l'aide du chargeur (Fig. B-2)

1. Retirez la batterie (12) de la machine.
2. Retournez la batterie (12) et glissez-la dans le chargeur (13), comme illustré par la Fig. B-2.
3. Enfoncez la batterie jusqu'à ce qu'elle soit entièrement dans la fente.
4. Branchez la prise du chargeur dans une prise de courant et patientez un moment. Les voyants

LED sur le chargeur (17) s'allument et indiquent l'état du chargeur

Le chargeur intègre 2 voyants LED (17) qui indiquent le statut du processus de charge :

État du VOYANT rouge	État du VOYANT vert	État du chargeur
Éteint	Éteint	Pas d'alimentation électrique
Éteint	Allumé	Mode Veille : - Il n'y a pas de batterie à l'intérieur ou - Batterie insérée mais la charge est terminée
Allumé	Éteint	Batterie en cours de charge

- La charge complète de la batterie 2Ah peut prendre jusqu'à 60 minutes.
- La charge complète de la batterie 4Ah peut prendre jusqu'à 120 minutes.

Une fois la batterie complètement rechargée, retirez la prise du chargeur de la prise murale et retirez la batterie du chargeur.



Si la machine n'est pas utilisée pendant une longue période, il est préférable de ranger la batterie complètement rechargée.

Assembler l'outil (Fig. C, D)

- Fixez la bandoulière (9) sur l'arceau de la poignée (7) à l'aide du mousqueton (10).
- Desserrez la bague de verrouillage de la tête (3) en la tournant dans le sens inverse des aiguilles d'une montre. Ne retirez pas la bague de la tête complètement.
- Installez la tête du taille-haie (1) sur le manche télescopique (7) en insérant le connecteur électrique (8) dans la tête.
- Si le connecteur (8) n'est pas correctement inséré, le raccordement électrique n'a pas lieu et l'outil ne peut pas fonctionner. Veillez à ce que le connecteur électrique soit complètement inséré dans la tête du taille-haie. La vis (18) sur le manche doit être recouverte par la tête du taille-haie (1) et la bague de verrouillage (3).

- Fixez la tête du taille-haie (1) en tournant la bague de verrouillage (3) dans le sens des aiguilles d'une montre



N'attachez jamais la ceinture en bandoulière d'une épaule à la hanche opposée. Portez-la sur une épaule uniquement. Vous pourrez ainsi plus rapidement éloigner l'outil de votre corps, en cas de danger.

Régler la hauteur du manche télescopique (Fig. E-1, E-2)

- Déverrouillez le levier (5) pour libérer le manche télescopique (7).
- Étirez ou rétractez le manche télescopique (7) à la longueur voulue.
- Fixez le manche télescopique en verrouillant le levier (5).

Régler la tête du taille-haie pivotante (Fig. F-1, F-2)

- Enfoncez le bouton (2) sur le côté de la tête du taille-haie (1).
- Réglez la tête à la position voulue.
- Relâchez le bouton (2) et veillez à ce que la tête soit bien verrouillée en place.

4. UTILISATION

Avant l'utilisation (Fig. G)

Retirez le fourreau de la lame (11) et lubrifiez les lames (4).

Mise en marche et extinction

Tenez toujours le taille-haie à deux mains. Placez une main sur le manche télescopique (7) et l'autre main sur la poignée arrière, près de l'interrupteur. Maintenez l'interrupteur (6) enfoncé pour faire fonctionner la machine. La machine s'éteint automatiquement quand l'interrupteur est relâché.

Après l'utilisation

Essayez les saletés et les débris des lames (4) à l'aide d'une brosse ou d'un chiffon. Lubrifiez les lames, remettez le fourreau (11) en place et retirez la batterie (12), avant de ranger la machine.

5. MAINTENANCE



Avant toute opération de nettoyage ou de maintenance, éteignez toujours la machine et retirez-en le bloc-batterie.

Nettoyez régulièrement le boîtier de la machine à l'aide d'un chiffon doux et de préférence après chaque utilisation. Assurez-vous que les fentes d'aération restent exemptes de poussière et de saletés. Supprimez les taches tenaces à l'aide d'un chiffon doux légèrement humide et d'une solution savonneuse. N'utilisez aucun solvant, essence, alcool, ammoniac, etc. car ces produits chimiques peuvent endommager les composants synthétiques.

Lame de coupe

- Veillez à toujours porter des gants pour manipuler ou nettoyer les lames.
- Nettoyez la lame et pulvérisez-la avec une huile de protection après chaque utilisation. Nous recommandons de lubrifier la lame avec une huile protectrice à intervalles réguliers si vous utilisez la machine pendant de longues périodes.
- Inspectez visuellement l'état de la lame. Contrôlez que les vis sont correctement serrées dans la barre de coupe.

Rangement

Le taille-haie doit être rangé dans un endroit sûr et sec, hors de la portée des enfants. Ne posez aucun objet dessus.

ENVIRONNEMENT



Les appareils électriques et électroniques défectueux ou en fin de vie doivent être rapportés dans des sites de recyclage appropriés.

Pour les pays de la Communauté Européenne uniquement

Ne jetez pas les outils électriques avec les déchets ménagers. Conformément à la Directive Européenne 2012/19/CE relative à l'élimination des déchets électriques et électroniques et sa transposition dans la législation nationale, les outils électriques inutilisables doivent être collectés séparément et être jetés de façon écologique.

GARANTIE

Les produits VONROC sont développés avec les normes de qualité les plus hautes et ils sont garantis pour être exempts de défaut de pièces et de main d'œuvre pour la durée stipulée par la loi et à compter de la date d'achat initiale. Si, au cours de cette période, le produit devait rencontrer une quelconque panne due à un défaut de pièce ou de main d'œuvre, contactez VONROC directement.

Les conditions suivantes sont exclues de la garantie :

- Réparations ou modifications sur la machine, faites ou tentées par des réparateurs non agréés ;
- Usure normale ;
- Utilisation abusive ou incorrecte ou maintenance incorrecte de l'outil ;
- Utilisation de pièces détachées non d'origine.

Ceci constitue l'unique garantie, explicite ou implicite, proposée par la société. Il n'existe aucune autre garantie, explicite ou implicite, qui puisse dépasser le cadre de la présente garantie, y compris les garanties implicites de qualité marchande et d'adaptation à un usage particulier. En aucun cas, VONROC ne saurait être tenu responsable pour les dommages accidentels ou consécutifs. Les recours des revendeurs sont limités à la réparation ou au remplacement des équipements ou des pièces non conformes.

Le produit et la notice d'utilisation sont sujets à modifications. Les caractéristiques peuvent être modifiées sans notification préalable.

1. INSTRUCCIONES DE SEGURIDAD

Lea las advertencias de seguridad, las advertencias de seguridad adicionales y las instrucciones adjuntas. Si no respeta las advertencias de seguridad y las instrucciones, pueden ocasionarse descargas eléctricas, incendios y/o lesiones graves. Guarde las advertencias de seguridad y las instrucciones para su futura consulta.

En el manual de usuario y en el producto se emplean los siguientes símbolos:



Lea el manual de usuario.



Denota riesgo de lesiones personales, muerte o daños a la herramienta en caso de incumplimiento de las instrucciones del presente manual.



Riesgo de descarga eléctrica.



Temperatura máx. 45 °C.



No arroje la batería al fuego.



No arroje la batería al agua.



Use protección para la cabeza.



Use gafas de seguridad.



No exponer a la lluvia.



Mantenga las manos alejadas de la hoja.



Tenga cuidado con los objetos proyectados. Mantenga alejadas a terceras personas.



Mantenga el producto alejado de las líneas de alta tensión. Distancia mínima, 10 metros.



Máquina de clase II - Doble aislamiento - No se requiere enchufe de puesta a tierra.



Minifusible de acción retardada.



Efectúe la recogida selectiva de la batería de iones de litio.



No tire el producto en contenedores inadecuados.



El producto es conforme a las normas de seguridad aplicables establecidas en las directivas europeas.

ADVERTENCIAS GENERALES DE SEGURIDAD PARA HERRAMIENTAS ELÉCTRICAS



ADVERTENCIA. Lea todas las advertencias de seguridad y todas las advertencias de seguridad y las instrucciones, pueden ocasionarse descargas eléctricas, incendios y/o lesiones graves.

Guarde todas las advertencias y las instrucciones para su futura consulta.

El término "herramienta eléctrica" de las advertencias se refiere a la herramienta eléctrica alimentada por la red (con cable) o alimentada a batería (sin cable).

1) Seguridad en el área de trabajo

- a) **Mantenga el área de trabajo limpia y bien iluminada.** Las áreas desordenadas u oscuras favorecen los accidentes.
- b) **No utilice herramientas eléctricas en atmósferas explosivas, como en presencia de líquidos, gases o polvos inflamables.** Las herramientas eléctricas generan chispas que pueden encender el polvo o los humos.
- c) **Mantenga alejados a los niños y a otras personas cuando utilice una herramienta eléctrica.** Las distracciones pueden causar pérdidas de control.

2) Seguridad eléctrica

- a) **Los enchufes de las herramientas eléctricas deben coincidir con la toma de corriente. Nunca modifique el enchufe de ningún modo. No utilice ningún enchufe adaptador con las herramientas eléctricas con toma de tierra (puesta a masa).** Los enchufes no modificados y las tomas de corriente que correspondan reducen el riesgo de descarga eléctrica.
- b) **Evite el contacto del cuerpo con superficies conectadas a tierra o puestas a masa, como tubos, radiadores, cocinas y refrigeradores.** Existe un mayor riesgo de descarga eléctrica

si su cuerpo está conectado a tierra o puesto a masa.

- b) **No exponga las herramientas eléctricas a la lluvia ni a la humedad.** Si entra agua en una herramienta eléctrica, aumenta el riesgo de descarga eléctrica.
- d) **No maltrate el cable. No utilice nunca el cable para transportar, tirar o desenchufar la herramienta eléctrica. Mantenga el cable alejado del calor, el aceite, los cantos vivos y las piezas móviles.** Los cables dañados o enredados aumentan el riesgo de descarga eléctrica.
- e) **Cuando utilice una herramienta eléctrica en exteriores, utilice un cable prolongador adecuado para uso en exteriores.** Usar un cable adecuado para exteriores reduce el riesgo de descarga eléctrica.
- f) **Si el uso de una herramienta eléctrica en un entorno húmedo es inevitable, utilice un suministro protegido con un dispositivo diferencial residual (DDR).** El uso de un DDR reduce el riesgo de descarga eléctrica.

3) Seguridad personal

- a) **Esté atento, tenga cuidado con lo que hace y aplique el sentido común cuando utilice una herramienta eléctrica. No utilice herramientas eléctricas si está cansado o bajo el efecto de drogas, alcohol o medicamentos.** Un momento de desatención mientras utiliza las herramientas eléctricas puede causar lesiones personales graves.
- b) **Use equipo de protección individual. Use siempre protectores oculares.** Los equipos de protección, como la máscara antipolvo, el calzado de seguridad antideslizante, el casco o la protección auditiva, utilizados en las condiciones adecuadas, reducen las lesiones personales.
- c) **Evite arranques involuntarios. Compruebe que el interruptor esté en la posición de apagado antes de conectar la herramienta a la fuente de alimentación y/o a la batería, y antes de cogerla o transportarla.** Transportar herramientas eléctricas con el dedo puesto sobre el interruptor o enchufarlas con el interruptor encendido puede causar accidentes.
- d) **Retire cualquier llave de ajuste o llave de tuercas antes de encender la herramienta eléctrica.** Si se deja cualquier tipo de llave puesta en

una pieza giratoria de la herramienta eléctrica, pueden producirse lesiones personales.

- e) **No se estire demasiado. Mantenga una posición firme y equilibrada en todo momento.** Así tendrá un mejor control de la herramienta eléctrica en situaciones imprevistas.
- f) **Vístase en modo adecuado. No use prendas sueltas ni joyas. Mantenga el cabello, la ropa y los guantes alejados de las piezas móviles.** La ropa suelta, las joyas o el cabello largo pueden quedar atrapados en las piezas móviles.
- g) **Si se proporcionan dispositivos para la conexión de aparatos de extracción y recogida de polvo, compruebe que estos estén conectados y que se utilicen correctamente.** El uso de aparatos de recogida de polvo puede reducir los riesgos relacionados con el polvo.
- h) **No permita que la familiaridad adquirida con el uso frecuente de las herramientas le haga confiarse e ignorar los principios de seguridad de las herramientas.** Una acción descuidada puede causar lesiones graves en una fracción de segundo.

4) Uso y cuidado de la herramienta eléctrica

- a) **No fuerce la herramienta eléctrica. Utilice la herramienta eléctrica correcta para su aplicación.** Usar la herramienta eléctrica correcta y al ritmo para el que esta ha sido diseñada permite hacer mejor el trabajo y con más seguridad.
- b) **No utilice la herramienta eléctrica si no se puede encender o apagar con el interruptor.** Cualquier herramienta eléctrica que no pueda ser controlada con el interruptor es peligrosa y debe ser reparada.
- c) **Desconecte el enchufe de la fuente de alimentación y/o quite la batería de la herramienta eléctrica antes de hacer cualquier ajuste, cambiar los accesorios o guardar la herramienta eléctrica.** Estas medidas de seguridad preventivas reducen el riesgo de que la herramienta eléctrica se ponga en marcha accidentalmente.
- d) **Guarde las herramientas eléctricas inactivas fuera del alcance de los niños y no permita que las utilicen las personas no familiarizadas con las herramientas eléctricas o con estas instrucciones.** Las herramientas eléctricas son peligrosas en manos de usuarios no capacitados.
- e) **Efectúe el mantenimiento de las herramientas eléctricas. Compruebe si las piezas móviles**

están desalineadas o agarrotadas, si hay piezas rotas o cualquier otra condición que pueda afectar al funcionamiento de la herramienta. En caso de que la herramienta esté dañada, hágala reparar antes de usarla. Muchos accidentes son causados por herramientas eléctricas mal mantenidas.

- f) **Mantenga las herramientas de corte afiladas y limpias.** Las herramientas de corte bien mantenidas y con bordes de corte afilados tienen menos probabilidades de atascarse y son más fáciles de controlar.
- g) **Utilice la herramienta eléctrica, los accesorios y las brocas, etc., de acuerdo con estas instrucciones, teniendo en cuenta las condiciones de trabajo y el trabajo a realizar.** El uso de la herramienta eléctrica para operaciones diferentes a las previstas puede causar situaciones peligrosas.
- h) **Mantenga las empuñaduras y las superficies de agarre secas, limpias y libres de aceite y grasa.** Las asas y las superficies de agarre resbaladizas no permiten un manejo y control seguros de la herramienta en situaciones inesperadas.

5) Uso y cuidado de la herramienta de batería

- a) **Recargue el aparato solo con el cargador especificado por el fabricante.** Un cargador apto para un tipo de batería puede ocasionar riesgos de incendio si se usa con otro paquete de baterías.
- b) **Use las herramientas eléctricas solo con la batería especialmente diseñada.** El uso de cualesquiera otros paquetes puede ocasionar riesgo de lesiones e incendios.
- c) **Cuando no use la batería, manténgala alejada de otros objetos metálicos tales como grapas de papel, monedas, llaves, clavos, tornillos u otros objetos metálicos pequeños que puedan poner en conexión los terminales entre sí.** Poner en cortocircuito los terminales de la batería puede ocasionar quemaduras o incendios.
- d) **En condiciones de uso indebido, la batería puede perder líquido, evite el contacto. En caso de contacto accidental, aclare con agua. Si el líquido entra en contacto con los ojos, consulte a un médico.** El líquido que expulsa la batería puede causar irritaciones o quemaduras.
- e) **No utilice una batería o una herramienta que esté dañada o modificada.** Las baterías dañadas o modificadas pueden presentar un

comportamiento impredecible y provocar un incendio, una explosión o riesgo de lesiones.

- f) **No exponga una batería o una herramienta al fuego o a temperatura excesiva.** La exposición al fuego o a temperaturas superiores a 130 °C puede provocar una explosión.
NOTA La temperatura "130 °C" puede sustituirse por la temperatura "265 °F".
- g) **Siga todas las instrucciones de carga y no cargue la batería o la herramienta fuera del intervalo de temperatura especificado en las instrucciones.** La carga incorrecta o a temperaturas fuera del intervalo especificado puede causar daños a la batería y aumentar el riesgo de incendio.

6) Reparaciones

- a) **Haga reparar su herramienta eléctrica por una persona cualificada, que use solo piezas de repuesto idénticas.** Esto garantiza que se mantenga la seguridad de la herramienta eléctrica.
- b) **Nunca repare las baterías dañadas.** El mantenimiento de las baterías debe ser realizado solo por el fabricante o los proveedores de servicio autorizados.

ADVERTENCIAS DE SEGURIDAD PARA CORTASETOS

- a) **Mantenga el cuerpo alejado de la hoja. No retire el material de corte ni sujete el material cuando las hojas estén en movimiento.** Las hojas siguen moviéndose después de apagar el interruptor. Desatender el cortasetos un instante mientras esté en funcionamiento puede acarrear lesiones personales graves.
- b) **Transporte el cortasetos por el asa, con la hoja parada y teniendo cuidado de no accionar ningún interruptor.** El correcto transporte del cortasetos disminuye el riesgo de arranque accidental y las lesiones personales causadas por las hojas.
- c) **Cuando transporte o guarde el cortasetos, póngale siempre el cubre hoja.** La correcta manipulación del cortasetos disminuye el riesgo de sufrir lesiones personales causadas por las hojas.
- d) **Cuando retire el material atascado o realice el mantenimiento de la unidad, asegúrese de que todos los interruptores estén apagados y el cable de alimentación esté desconectado.** El funcionamiento inesperado del cortasetos

durante la extracción del material atascado o el mantenimiento de la unidad puede producir lesiones personales graves.

- e) **Sujete el cortasetos solo por las superficies de agarre aisladas porque la hoja puede entrar en contacto con cables ocultos.** Si las hojas entran en contacto con un cable bajo tensión, pueden exponer las partes metálicas del cortasetos a tensión y ocasionar una descarga eléctrica al operador.
- f) **Mantenga todos los cables de corriente y demás cables alejados de la zona de corte.** Puede haber cables de corriente u otros cables ocultos en los setos o arbustos, que pueden ser cortados accidentalmente por la hoja.
- g) **No utilice el cortasetos si hay mal tiempo, y especialmente en caso de riesgo de rayos.** Esto disminuye el riesgo de recibir el impacto de un rayo.

ADVERTENCIAS DE SEGURIDAD PARA CORTASETOS DE LARGO ALCANCE

- a) **Para reducir el riesgo de electrocución, no utilice nunca el cortasetos de largo alcance cerca de líneas eléctricas.** El contacto con líneas eléctricas o el uso cerca de líneas eléctricas puede causar lesiones graves o descargas eléctricas mortales.
- b) **Cuando trabaje con el cortasetos de largo alcance, utilice siempre las dos manos.** Sujete el cortasetos de largo alcance con ambas manos para no perder el control.
- c) **Cuando trabaje con el cortasetos de largo alcance por encima de su cabeza, utilice siempre protección para la cabeza.** La caída de restos puede causar lesiones personales graves.

ADVERTENCIAS DE SEGURIDAD ADICIONALES

- a) **El aparato no debe ser usado por personas (incluidos niños) con capacidades físicas, sensoriales o mentales limitadas,** o que no tengan experiencia o conocimiento, salvo que estén supervisadas o hayan recibido instrucciones sobre el uso del aparato por parte de una persona responsable de su seguridad. Los niños siempre deben estar supervisados para constatar que no jueguen con el aparato.
- b) **Cuando trabaje con la máquina, sujétela siempre firmemente con ambas manos y adopte una**

postura firme. La herramienta eléctrica se guía de modo más seguro con ambas manos.

- c) **Compruebe siempre que los protectores estén colocados cuando utilice la máquina.** Nunca intente utilizar una máquina incompleta o con modificaciones no autorizadas.
- d) **Lubrique siempre la hoja de corte con un spray protector antes de usarla.**
- e) **Espere siempre a que la máquina se detenga completamente antes de dejarla apoyada.**
- f) **Las demás personas y los animales deben permanecer a una distancia mínima de 3 metros cuando utilice la máquina.** El operador es responsable de las terceras personas que se encuentren en la zona de trabajo.
- g) **Nunca agarre la hoja del cortasetos.**
- h) **Los niños o las personas que no estén familiarizadas con estas instrucciones no deben manejar el cortasetos.** Las normas locales pueden restringir la edad del operador.
- i) **Nunca utilice el cortasetos si hay personas, especialmente niños o mascotas, cerca.**
- j) **El usuario es responsable de los accidentes o peligros que puedan ocurrir a otras personas o a su propiedad.**
- k) **No utilice el cortasetos si está descalzo o lleva sandalias abiertas, póngase siempre calzado resistente y pantalones largos.** Se recomienda usar guantes resistentes, calzado antideslizante y gafas de seguridad. No lleve ropa suelta ni joyas que pudiesen quedar atrapadas en las piezas móviles.
- l) **Inspeccione minuciosamente la zona donde vaya a utilizar el cortasetos y retire todos los alambres y otros objetos extraños.**
- m) **Antes del uso, compruebe que las hojas, los pernos de las hojas y el conjunto de corte no estén desgastados ni dañados.** No utilice el cortasetos si el dispositivo de corte está dañado o excesivamente desgastado.
- n) **Sepa cómo parar el cortasetos rápidamente en caso de emergencia.**
- o) **Corte el césped solo a la luz del día o con una buena iluminación artificial.**
- p) **No utilice nunca el cortasetos si tiene los protectores defectuosos o si no los tiene colocados.**
- q) **Nunca sujete el cortasetos por el protector.**
- r) **Cuando utilice el cortasetos, mantenga siempre la postura y el equilibrio adecuados.**

- s) **Esté siempre atento a su entorno y manténgase alerta ante posibles peligros que no pueda oír mientras utiliza el cortasetos.**
- t) **Mantenga todas las tuercas, pernos y tornillos apretados para que el cortasetos esté siempre en condiciones de funcionamiento seguras.**
- u) **El cortasetos debe guardarse en un lugar seco, alto o bajo llave, fuera del alcance de los niños.**
- v) **Por seguridad, sustituya las piezas desgastadas o dañadas.**
- w) **No intente reparar la máquina a menos que esté cualificado para hacerlo.**
- x) **Sujete bien el producto con ambas manos.**

ADVERTENCIAS DE SEGURIDAD PARA LA BATERÍA

- a) **No abra la batería.** Peligro de cortocircuito.
- b) **Proteja la batería del calor, p. ej., de la luz solar intensa continua, los incendios, el agua y la humedad.** Peligro de explosión.
- c) **En caso de daño y de uso incorrecto de la batería, esta puede emitir vapores. Ventile el área y consulte a un médico si se siente mal.** Los vapores pueden irritar el sistema respiratorio.
- d) **Utilice la batería solo junto con su producto Vonroc.** Esta medida protege la batería de sobrecargas peligrosas.
- e) **La batería puede sufrir daños ocasionados por objetos puntiagudos tales como clavos o destornilladores o por fuerzas aplicadas externamente.** Puede producirse un cortocircuito interno que dé lugar a que la batería se incendie, emita humo, explote o se caliente en exceso.

ADVERTENCIAS DE SEGURIDAD PARA EL CARGADOR

Uso previsto

Cargue solo las baterías recargables de tipo CD801AA y CD803AA con el cargador. Otros tipos de baterías pueden estallar y causar lesiones y daños.

- a) **El aparato no debe ser usado por personas (incluidos niños) con capacidad física, sensorial o mental reducida, o que no tengan experiencia o conocimiento suficientes, salvo que hayan sido capacitadas o estén bajo supervisión.**
- b) **Controle que los niños no jueguen con el aparato.**
- c) **¡No recargue baterías no recargables!**

- d) **Durante la carga, ¡las baterías deben dejarse en un lugar bien ventilado!**

Seguridad eléctrica



Compruebe siempre que la tensión de alimentación coincida con la tensión indicada en la placa de datos.

- No utilice la máquina si el cable de alimentación o la toma de corriente está dañada.
- Utilice solo cables prolongadores adecuados a la potencia de la máquina, con un grosor mínimo de 1,5 mm². Si utiliza un cable prolongador en carrete, desenrolle siempre todo el cable.

2. INFORMACIÓN SOBRE LA MÁQUINA

Uso previsto


La máquina ha sido concebida para el uso doméstico, para cortar y recortar setos y arbustos a una altura elevada, mientras el usuario se encuentra en el suelo. La máquina no ha sido diseñada para ser utilizada sobre una escalera o peldaños. La máquina no ha sido diseñada para cortar césped y no puede utilizarse como cortacésped. Esta herramienta no ha sido diseñado para uso comercial o industrial.


ESPECIFICACIONES TÉCNICAS

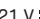



Este manual ha sido redactado para diferentes números de juegos / artículos. Compruebe el número de artículo correspondiente en la siguiente tabla de especificaciones para conseguir la composición y el contenido correctos de su juego.

Modelo n.º	Baterías incluidas	Cargadores incluidos
HT503DC	-	-
S_ HT503DC	CD801AA	CD802AA
S2_ HT503DC	2 x CD801AA	CD802AA
S3_ HT503DC	CD803AA	CD802AA

Información de la máquina	
Voltaje	20 V 
Velocidad en vacío	1200/min
Longitud hoja	36 cm
Apertura del diente	23 mm
Ajuste de longitud	200-260 cm
Nivel de presión acústica (LpA)	77,9 dB, k = 3 dB
Nivel de potencia acústica (LWA)	87,8 dB, k = 3 dB
LWA garantizado	91 dB
Vibración	Mango delantero ah = 2,55 m/s ²
	Mango trasero ah = 2,48 m/s ²
	K=1.5 m/s ²
Peso	2,3 kg

Modelo n.º	CD801AA
Tipo de batería	Iones de litio
Voltaje	20 V 
Capacidad	2,0 Ah
Cargador recomendado	CD802AA
Peso	0,3 kg

Modelo n.º	CD802AA
Entrada del cargador	220-240 V, 50 Hz 0,4 A
Salida del cargador	21 V  2,5 A
Tiempo de carga batería 2 Ah	60 minutos
Tiempo de carga batería 4 Ah	120 minutos
Baterías recomendadas	CD801AA, CD803AA
Peso	0,36 kg

Modelo n.º	CD803AA
Tipo de batería	Iones de litio
Voltaje	20 V 
Capacidad	4,0 Ah
Cargador recomendado	CD802AA
Peso	0,65 kg

Use solo las siguientes baterías de la plataforma de baterías VONROC VPOWER 20V. El uso de cualquier otra batería puede causar lesiones graves o dañar la herramienta.

CD801AA 20 V, 2 Ah, iones de litio
CD803AA 20 V, 4 Ah, iones de litio

Para cargar estas baterías se puede utilizar el siguiente cargador de batería.

CD802AA Cargador rápido

Las baterías de la plataforma de baterías VONROC VPOWER 20 V son intercambiables con todas las herramientas de la plataforma de baterías VONROC VPOWER de 20 V.

DESCRIPCIÓN

Los números del texto hacen referencia a los diagramas de las páginas 2 - 5.

1. Cabezal del cortasetos
2. Botón de ajuste del cabezal
3. Anillo de bloqueo del cabezal
4. Hoja del cortasetos
5. Palanca de bloqueo del mango
6. Interruptor de alimentación
7. Mango telescópico
8. Conector de alimentación
9. Correa en bandolera
10. Mosquetón
11. Vaina protectora
12. Batería
13. Cargador de batería
14. Botón de desbloqueo de la batería
15. Botón de indicadores LED de batería
16. Indicadores LED de la batería
17. Indicadores de LED del cargador

3. MONTAJE



Antes de realizar cualquier trabajo (mantenimiento, cambio de herramienta, montaje) en la herramienta eléctrica, saque la batería.



Hay que cargar la batería antes del primer uso.

Colocación de la batería en la máquina (Fig. B-1)

Compruebe que la parte exterior de la batería esté limpia y seca antes de colocarla en el cargador o en la máquina.

1. Inserte la batería (12) en la base de la máquina, como se muestra en la Fig. B-1.
2. Pulse la batería más hacia delante hasta que haga clic en su sitio.

Extracción de la batería de la máquina (Fig. B-1)

1. Presione el botón de desbloqueo de la batería (14).
2. Extraiga la batería de la máquina como se muestra en la Fig. B-1.

Comprobación del estado de carga de la batería (Fig. B-2)

- Para comprobar el estado de carga de la batería, pulse brevemente el botón (15) de la batería.
- La batería tiene 3 luces que indican el nivel de carga, cuantas más luces estén encendidas, más batería queda.
- Cuando las luces están apagadas significa que la batería está vacía y debe cargarse inmediatamente.

Carga de la batería con el cargador (Fig. B-2)

1. Extraiga la batería (12) de la máquina.
2. Dé vuelta la batería (12) y deslícela por el cargador (13), como se muestra en la Fig. B-2.
3. Empuje la batería hasta que quede totalmente colocada en la ranura.
4. Enchufe el enchufe del cargador en una toma de corriente y espere un poco. Los indicadores de LED del cargador (17) se encienden y muestran el estado del cargador.

El cargador tiene 2 indicadores LED (17) que indican el estado del proceso de carga:

Estado del LED rojo	Estado del LED verde	Estado del cargador
Apagado	Apagado	Sin energía
Apagado	Encendido	Modo de espera: - No hay ninguna batería insertada, o - se ha insertado la batería, pero ha finalizado el proceso de carga.

Encendido	Apagado	Carga de la batería en curso
-----------	---------	------------------------------

- La carga completa de la batería de 2 Ah puede llevar hasta 60 minutos.
- La carga completa de la batería de 4 Ah puede llevar hasta 120 minutos.

Cuando la batería esté totalmente cargada, desenchufe el enchufe del cargador de la toma de corriente y extraiga la batería del cargador.



Cuando la máquina no se utiliza por un largo periodo de tiempo, es conveniente guardar la batería cargada.

Montaje de la herramienta (Fig. C, D)

- Coloque la correa en bandolera (9) en el anillo (7) del mango utilizando el mosquetón (10).
- Suelte el anillo de bloqueo del cabezal (3) girándolo en sentido antihorario. No retire completamente el anillo del cabezal.
- Coloque el cabezal del cortasetos (1) en el mango telescópico (7) introduciendo el conector de alimentación (8) en el cabezal.
- Si el conector (8) no está bien introducido, puede que no haya conexión eléctrica, y la herramienta no funcionará. Compruebe que el conector de alimentación esté totalmente introducido en el cabezal del cortasetos. El tornillo (18) del mango debe quedar cubierto por el cabezal del cortasetos (1) y el anillo de bloqueo (3).
- Fije el cabezal del cortasetos (1) girando el anillo de bloqueo (3) en sentido horario.



Nunca se ajuste la correa diagonalmente sobre el hombro y el pecho, colóquesela en un hombro. De este modo, podrá retirar rápidamente la herramienta de su cuerpo en caso de peligro.

Ajuste de altura del mango telescópico (Fig. E-1, E-2)

- Desbloquee la palanca (5) para liberar el mango telescópico (7).
- Extienda o retraiga el mango telescópico (7) hasta la longitud deseada.
- Fije el mango telescópico bloqueando la palanca (5).

Ajuste del cabezal pivotante del cortasetos**(Fig. F-1, F-2)**

- Pulse el botón (2) situado al costado del cabezal del cortasetos (1).
- Ajuste el cabezal en la posición que desee.
- Suelte el botón (2) y compruebe que el cabezal esté bloqueado en su posición.

4. FUNCIONAMIENTO**Antes del uso (Fig. G)**

Retire el cubre hoja (11) y lubrique las hojas (4).

Encendido y apagado

Sujete siempre el cortasetos con las dos manos. Coloque una mano en el mango telescópico (7), y la otra en la parte trasera del mango, cerca del interruptor de alimentación. Mantenga pulsado el interruptor de alimentación (6) para hacer funcionar la máquina. Al soltar el interruptor de alimentación, la máquina se detiene automáticamente.

Después del uso

Limpie la suciedad y los residuos de las hojas (4) con un cepillo o un paño. Lubrique las hojas, coloque el cubre hoja (11) y retire la batería (12) antes de guardar la máquina.

5. MANTENIMIENTO

Antes de realizar la limpieza y el mantenimiento, apague siempre la máquina y extraiga la batería de la máquina.

Limpie periódicamente la carcasa de la máquina con un paño suave, preferentemente después de cada uso. Compruebe que los orificios de ventilación estén libres de polvo y suciedad. Elimine el polvo persistente utilizando un paño suave humedecido con agua y jabón. No utilice disolventes tales como gasolina, alcohol, amoníaco, etc. Tales productos químicos dañan los componentes sintéticos.

Hoja de corte

- Use guantes cuando manipule o limpie las hojas de corte.
- Limpie la hoja de corte y rocíela con un aceite protector después de cada uso. Es aconsejable lubricar la hoja de corte con aceite protector con regularidad durante periodos largos de uso.

- Inspeccione con frecuencia el estado de la hoja de corte. Compruebe que los tornillos estén bien apretados en la barra de corte.

Almacenamiento

El cortasetos debe guardarse en un lugar seco y seguro, fuera del alcance de los niños. No coloque otros objetos encima.

MEDIOAMBIENTE

Los aparatos eléctricos o electrónicos defectuosos y/o desechados deben recogerse en lugares de reciclado apropiados.

Solo para países de la Comunidad Europea

No elimine las herramientas eléctricas como residuos domésticos. De acuerdo con la Directiva europea 2012/19/CE sobre residuos de aparatos eléctricos y electrónicos, y su transposición a las legislaciones nacionales, las herramientas eléctricas que ya no se utilizan deben recogerse por separado y eliminarse en modo ecológico.

GARANTÍA

Los productos VONROC han sido fabricados con los estándares de calidad más elevados y garantizamos que están exentos de defectos relacionados con los materiales y la mano de obra durante el período legalmente establecido a partir de la fecha de compra original. Si, durante este período, el producto presenta algún fallo de los materiales y/o la mano de obra, póngase en contacto directamente con VONROC.

Las siguientes circunstancias están excluidas de esta garantía:

- Si se han realizado o se ha intentado realizar reparaciones o alteraciones en la máquina por parte de centros de servicio no autorizados.
- Desgaste normal.
- La herramienta ha sido usada impropiaemente, mal utilizada o mantenida incorrectamente.
- Si se han utilizado piezas de repuesto no originales.

Esta constituye la única garantía, expresa e implícita, ofrecida por la empresa. No existen otras garantías expresas o implícitas distintas a la

especificada en el presente documento, incluidas las garantías implícitas de comerciabilidad y de adecuación a un propósito particular. VONROC no será responsable bajo ninguna circunstancia de ningún daño incidental o consecuente. Los recursos de los distribuidores están limitados a la reparación o sustitución de las unidades o piezas no conformes.

El producto y el manual de usuario están sujetos a variaciones. Las especificaciones pueden variar-se sin aviso previo.

1. ISTRUZIONI DI SICUREZZA

Leggere le avvertenze di sicurezza, le avvertenze di sicurezza aggiuntive e le istruzioni contenute in questo manuale. Il mancato rispetto delle avvertenze e istruzioni di sicurezza potrebbe dar luogo a scosse elettriche, incendi e/o lesioni personali gravi. Conservare le avvertenze di sicurezza e le istruzioni per riferimenti futuri.

I simboli riportati di seguito vengono utilizzati all'interno del manuale d'uso oppure sono indicati sul prodotto:



Leggere il manuale d'uso.



Denota il rischio di lesioni personali, morte o danni all'apparecchio in caso di mancata osservanza delle istruzioni contenute in questo manuale.



Rischio di scosse elettriche.



Temperatura massima 45 °C.



Non gettare la batteria nel fuoco.



Non gettare la batteria nell'acqua.



Indossare un elmetto di protezione.



Indossare occhiali di sicurezza.



Non esporre alla pioggia.



Tenere le mani lontane dalla lama.



Prestare attenzione agli oggetti proiettati in aria. Tenere le persone presenti a debita distanza.



Tenere il prodotto lontano dalle linee dell'alta tensione! Distanza minima 10 metri.



Apparecchio di Classe II - Doppio isolamento - Non è necessario il collegamento a terra.



Fusibile miniaturizzato ritardato.



Raccolta differenziata per la batteria agli ioni di litio.



Non smaltire il prodotto in contenitori non idonei.



Il prodotto è conforme alle norme di sicurezza applicabili ai sensi delle direttive europee vigenti.

AVVERTENZE DI SICUREZZA GENERALI PER GLI ELETTROUTENSILI



AVVERTENZA! Leggere tutte le avvertenze di sicurezza e tutte le istruzioni. La mancata osservanza delle avvertenze e delle istruzioni può dar luogo a scosse elettriche, incendi e/o lesioni gravi.

Conservare tutte le avvertenze e le istruzioni per riferimenti futuri.

Il termine "elettroutensile" che ricorre nelle avvertenze si riferisce a un utensile elettrico alimentato dalla rete (con cavo) o a batteria (senza cavo).

1) Sicurezza dell'area di lavoro

- Mantenere l'area di lavoro pulita e ben illuminata.** Gli ambienti disordinati o scarsamente illuminati favoriscono gli incidenti.
- Evitare di usare gli elettroutensili in ambienti esposti al rischio di esplosione, come ad esempio in presenza di liquidi, gas o polveri infiammabili.** Gli elettroutensili generano scintille che possono incendiare polveri o fumi.
- Tenere a distanza bambini e altre persone presenti nelle vicinanze mentre si usa un elettroutensile.** Le distrazioni possono causare la perdita di controllo.

2) Sicurezza elettrica

- Le spine dell'elettroutensile devono essere adatte alla presa di corrente. Non modificare la spina in alcun modo. Non utilizzare spine con adattatore per un elettroutensile dotato di messa a terra.** Per ridurre il rischio di scosse elettriche evitare di modificare le spine e utilizzare sempre le prese di corrente appropriate.
- Evitare il contatto fisico con superfici collegate a terra, come tubi, radiatori, forni e frigoriferi.** Se il corpo dell'utilizzatore è collegato a terra, il rischio di scosse elettriche aumenta.

- Non esporre gli elettroutensili alla pioggia o all'umidità.** Se dovesse penetrare dell'acqua all'interno dell'elettroutensile, il rischio di scosse elettriche aumenta.
- Non utilizzare il cavo di alimentazione in modo improprio. Non spostare, tirare o scollegare mai l'elettroutensile dalla presa di corrente tirandolo dal cavo. Tenere il cavo di alimentazione lontano da fonti di calore, olio, bordi taglienti o parti in movimento.** Se il cavo di alimentazione è danneggiato o impigliato, il rischio di scosse elettriche aumenta.
- Quando l'elettroutensile viene usato all'aperto, utilizzare unicamente prolunghe omologate per l'impiego all'esterno.** L'uso di un cavo idoneo per esterni riduce il rischio di scosse elettriche.
- Se non è possibile evitare di utilizzare un elettroutensile in una zona umida, collegarsi a una rete elettrica protetta da un interruttore differenziale salvavita (RCD).** L'uso di un RCD riduce il rischio di scosse elettriche.

3) Sicurezza personale

- Quando si utilizza un elettroutensile evitare di distrarsi. È importante concentrarsi su quello che si sta facendo e usare il buon senso. Non utilizzare l'elettroutensile quando si è stanchi o sotto l'effetto di stupefacenti, alcool o medicinali.** Un solo attimo di distrazione durante l'uso di un elettroutensile potrebbe provocare gravi lesioni personali.
- Indossare dispositivi di protezione individuale. Indossare sempre occhiali di sicurezza.** L'impiego di dispositivi di protezione individuale, quali mascherine antipolvere, scarpe antinfortunistiche antiscivolo, elmetto di protezione o protezioni per l'udito, nelle condizioni opportune, consente di ridurre le lesioni personali.
- Prevenire l'avvio accidentale. Accertarsi che l'interruttore di accensione/spegnimento sia nella posizione di spegnimento, prima di collegare l'elettroutensile alla rete elettrica e/o alla batteria, di prenderlo in mano o di trasportarlo.** Per non esporsi al rischio di incidenti, non trasportare l'elettroutensile tenendo le dita sull'interruttore di accensione/spegnimento e non collegarlo a una fonte di alimentazione elettrica con il suddetto interruttore in posizione di accensione.
- Prima di accendere l'elettroutensile rimuovere eventuali chiavi o utensili di regolazione. Un**

attrezzo di regolazione o una chiave inseriti in una parte rotante dell'elettrotensile possono provocare lesioni personali.

- e) **Non sbilanciarsi. Mantenere sempre un appoggio e un equilibrio adeguati.** In tal modo è possibile mantenere un migliore controllo dell'elettrotensile nelle situazioni impreviste.
- f) **Indossare indumenti adeguati. Non indossare abiti non aderenti o gioielli. Tenere i capelli, gli indumenti e i guanti lontano dalle parti mobili.** Abiti non aderenti, gioielli o capelli lunghi possono impigliarsi nelle parti in movimento.
- g) **Se gli elettrotensili sono provvisti di attacchi per il collegamento di dispositivi di aspirazione o di raccolta delle polveri, assicurarsi che essi siano installati e utilizzati correttamente.** L'impiego di dispositivi di aspirazione delle polveri può ridurre i pericoli legati alle stesse.
- h) **Non lasciare che la dimestichezza acquisita dall'uso frequente induca l'utilizzatore ad assumere comportamenti imprudenti e a ignorare i principi di sicurezza per l'elettrotensile.** Una semplice distrazione può provocare gravi lesioni personali in una frazione di secondo.
- 4) Uso e cura dell'elettrotensile**
- a) **Non forzare l'elettrotensile. Utilizzare l'elettrotensile corretto per il lavoro da svolgere.** L'elettrotensile corretto funziona meglio e in modo più sicuro, se utilizzato alla velocità per cui è stato progettato.
- b) **Non utilizzare l'elettrotensile se il rispettivo interruttore di accensione/spengimento non funziona.** Qualsiasi elettrotensile che non possa essere controllato tramite l'interruttore di accensione/spengimento è pericoloso e deve essere riparato.
- c) **Scollegare la spina dalla presa di corrente e/o il pacco batteria dall'elettrotensile prima di effettuare qualsiasi tipo di regolazione, cambiare gli accessori o riporlo.** Queste misure di sicurezza preventive riducono il rischio di azionare accidentalmente l'elettrotensile.
- d) **Quando non vengono usati, gli elettrotensili devono essere custoditi fuori dalla portata dei bambini. Non consentire l'uso dell'elettrotensile a persone inesperte o che non abbiano letto questo manuale di istruzioni.** Gli elettrotensili sono pericolosi in mano a persone inesperte.
- e) **Sottoporre gli elettrotensili a regolare manutenzione. Verificare che le parti mobili siano correttamente allineate e non inceppate, che non vi siano componenti rotti e che non sussistano altre condizioni che possono compromettere il funzionamento dell'elettrotensile. Se l'elettrotensile dovesse essere danneggiato, farlo riparare prima dell'uso.** Molti incidenti sono provocati da elettrotensili non sottoposti a una corretta manutenzione.
- f) **Mantenere affilati e puliti gli utensili da taglio.** La manutenzione corretta degli utensili da taglio con bordi affilati riduce le probabilità di inceppamento e ne facilita il controllo.
- g) **Utilizzare l'elettrotensile, gli accessori, le punte, ecc. in conformità a queste istruzioni, tenendo conto delle condizioni operative e del lavoro da eseguire.** L'utilizzo dell'elettrotensile per impieghi diversi da quelli previsti può provocare situazioni di pericolo.
- h) **Mantenere le impugnature e le superfici di presa asciutte, pulite e libere da olio e grasso.** Impugnature e superfici di presa scivolose non consentono di maneggiare e controllare in sicurezza l'elettrotensile in situazioni impreviste.
- 5) Uso e cura dell'utensile a batteria**
- a) **Ricaricare la batteria esclusivamente con il caricabatterie specificato dal produttore.** Un caricabatterie adatto a un determinato tipo di pacco batteria potrebbe comportare il rischio di incendio se viene utilizzato con un pacco batteria diverso.
- b) **Gli elettrotensili devono essere usati esclusivamente con i tipi di batterie specificatamente indicati.** L'uso di batterie di tipi diversi può comportare il rischio di lesioni personali e di incendio.
- c) **Quando il pacco batteria non viene utilizzato, tenerlo lontano da oggetti metallici, come fermagli, monete, chiavi, chiodi, viti o altri piccoli oggetti di metallo, che potrebbero provocare un contatto dei terminali.** Se i morsetti della batteria vengono cortocircuitati potrebbero provocare ustioni o un incendio.
- d) **In condizioni di sovraccarico, potrebbe fuoriuscire del liquido dalla batteria: evitare il contatto. In caso di contatto, sciogliere con abbondante acqua. Se il liquido dovesse venire a contatto con gli occhi, rivolgersi anche a un**

- medico.** Il liquido fuoriuscito dalla batteria può causare irritazione o ustioni.
- e) **Non utilizzare un pacco batterie o l'elettro-utensile se danneggiati o manomessi.** Pacchi batterie danneggiati o manomessi potrebbero avere comportamenti imprevedibili con il rischio di incendiarsi, esplodere o provocare lesioni a persone.
 - f) **Non esporre un pacco batteria o l'elettro-utensile al fuoco o a temperature troppo elevate.** L'esposizione alle fiamme o a temperature superiori a 130 °C potrebbe provocare un'esplosione. NOTA: la temperatura di "130 °C" corrisponde a "265 °F".
 - g) **Seguire tutte le istruzioni per la ricarica e non ricaricare il pacco batterie o l'elettro-utensile a temperature che non rientrino nell'intervallo specificato nelle istruzioni.** Una ricarica effettuata in maniera scorretta o a una temperatura che non rientra nell'intervallo di valori specificato, potrebbe danneggiare la batteria aumentando il rischio d'incendio.
- 6) Assistenza**
- a) **L'assistenza per l'elettro-utensile deve essere prestata da un tecnico qualificato che utilizzi soltanto ricambi originali.** In questo modo viene garantita la sicurezza dell'elettro-utensile.
 - b) **Non tentare di riparare pacchi batterie danneggiati.** La riparazione dei pacchi batteria deve essere effettuata esclusivamente dal fabbricante o presso centri di assistenza autorizzati.

AVVERTENZE DI SICUREZZA RIGUARDANTI I TAGLIASIEPI

- a) **Tenere tutte le parti del corpo lontano dalla lama. Non rimuovere il materiale tagliato né tenere fermo con le mani il materiale da tagliare quando la lama è in movimento.** La lama continua a girare dopo lo spegnimento del tagliasiepi. Un attimo di disattenzione durante l'uso del tagliasiepi potrebbe causare gravi lesioni a persone.
- b) **Trasportare il tagliasiepi afferrandolo dall'asta con la lama ferma e facendo attenzione a non azionare alcun interruttore di accensione/spengimento.** Il trasporto corretto del tagliasiepi riduce il rischio di avvio accidentale con conseguenti possibili lesioni personali causate dalla lama.
- c) **Durante il trasporto o quando si ripone il tagliasiepi, infilare sempre il coprilama.** Una manipolazione corretta del tagliasiepi riduce il rischio di lesioni personali causate dalla lama.
- d) **Durante la rimozione di eventuale materiale inceppato o durante la manutenzione dell'elettro-utensile, assicurarsi che tutti gli interruttori di accensione/spengimento siano in posizione di spegnimento e che il pacco batteria sia rimosso o scollegato.** L'attivazione accidentale del tagliasiepi durante la rimozione di materiale inceppato o l'esecuzione di interventi di manutenzione su di esso può provocare lesioni personali gravi.
- e) **Afferrare il tagliasiepi esclusivamente dalle superfici di presa isolate, poiché la lama di taglio potrebbe entrare in contatto con fili elettrici.** Il contatto tra la lama e un filo elettrico sotto tensione mette sotto tensione le parti metalliche esposte del tagliasiepi e potrebbe esporre l'operatore a scossa elettrica.
- f) **Mantenere tutti i fili elettrici e i cavi di alimentazione lontani dall'area di taglio.** Fili elettrici o cavi di alimentazione potrebbero essere nascosti in cespugli o siepi ed essere tagliati accidentalmente dalla lama.
- g) **Evitare di utilizzare il tagliasiepi in caso di maltempo, in particolare quando vi è il rischio di fulmini.** In tal modo si riduce il rischio di essere colpiti da un fulmine.

AVVERTENZE DI SICUREZZA RIGUARDANTI I TAGLIASIEPI CON ASTA DI PROLUNGA

- a) **Per ridurre il rischio di folgorazione, non utilizzare mai il tagliasiepi con asta di prolunga in prossimità di linee elettriche.** Il contatto con i cavi di linee elettriche o l'uso del tagliasiepi in prossimità delle stesse può causare gravi lesioni personali o una folgorazione potenzialmente letale.
- b) **Durante l'uso del tagliasiepi con asta di prolunga afferrarlo sempre con entrambe le mani.** Afferrare il tagliasiepi con asta di prolunga con entrambe le mani per evitare di perdere il controllo dello stesso.
- c) **Quando si utilizza il tagliasiepi con asta di prolunga sopra il livello del capo indossare sempre un elmetto di protezione.** I detriti che cadono dall'alto possono causare gravi lesioni personali.

AVVERTENZE DI SICUREZZA AGGIUNTIVE

- a) **Questo elettroutensile non è destinato all'uso da parte di persone (compresi i bambini) con capacità fisiche, sensoriali o mentali ridotte, o prive di esperienza e conoscenze**, salvo che siano sorvegliate o ricevano opportune istruzioni riguardo all'uso dello stesso da parte di una persona responsabile della loro sicurezza. I bambini devono essere sorvegliati per assicurarsi che non giochino con l'elettroutensile.
- b) **Durante il lavoro tenere saldamente l'elettroutensile con entrambe le mani e mantenere sempre un appoggio e un equilibrio adeguati**. Con entrambe le mani l'elettroutensile viene condotto in modo più sicuro.
- c) **Quando si usa l'elettroutensile controllare sempre che tutte le impugnature e le protezioni siano montate**. Non tentare mai di usare un elettroutensile non completo o che sia stato sottoposto a modifiche non autorizzate.
- d) **Prima dell'uso, lubrificare sempre la lama di taglio spruzzandovi sopra dell'olio protettivo**.
- e) **Attendere sempre che l'elettroutensile si sia arrestato completamente prima di appoggiarlo**.
- f) **Quando si utilizza l'elettroutensile, mantenere le altre persone ed eventuali animali a una distanza di almeno 3 metri**. L'operatore è responsabile delle altre persone presenti nell'area di lavoro.
- g) **Non afferrare mai la lama del tagliasiepi**.
- h) **Il tagliasiepi non deve essere azionato da bambini o persone che non abbiano letto queste istruzioni**. Le normative vigenti a livello locale possono imporre un limite di età per l'operatore.
- i) **Non utilizzare mai il tagliasiepi in presenza di persone (in particolare bambini) o animali domestici nelle vicinanze**.
- j) **L'operatore è responsabile in caso di incidenti o pericoli che coinvolgano terze persone o beni di loro proprietà**.
- k) **Non utilizzare il tagliasiepi a piedi nudi o indossando sandali aperti; indossare sempre calzature robuste e pantaloni lunghi**. Si consiglia di indossare guanti da lavoro resistenti, calzature antiscivolo e occhiali di sicurezza. Non indossare abiti non aderenti o gioielli che potrebbero rimanere impigliati nei componenti.
- l) **Ispezionare attentamente l'area in cui deve essere usato il tagliasiepi e rimuovere eventuali fili metallici e altri oggetti estranei presenti**.
- m) **Prima della messa in funzione ispezionare i taglienti, i bulloni di fissaggio della lama e il gruppo di taglio per accertarsi che non siano usurati o danneggiati**. Non utilizzare il tagliasiepi se il dispositivo di taglio è danneggiato o eccessivamente usurato.
- n) **È necessario essere a conoscenza di come arrestare rapidamente il tagliasiepi in caso di emergenza**.
- o) **Potare una siepe solo di giorno o in condizioni di buona illuminazione artificiale**.
- p) **Non utilizzare mai il tagliasiepi se le protezioni sono difettose o smontate**.
- q) **Non afferrare mai il tagliasiepi dalla protezione**.
- r) **Durante l'uso del tagliasiepi assicurarsi di mantenere sempre un appoggio e un equilibrio adeguati**.
- s) **Essere sempre consapevoli dell'ambiente circostante e stare attenti a possibili pericoli che potrebbero non essere percepiti durante l'utilizzo del tagliasiepi**.
- t) **Mantenere tutti i dadi, i bulloni e le viti serrati per essere certi che l'elettroutensile sia in condizioni operative sicure**.
- u) **Custodire il tagliasiepi in un luogo asciutto, in posizione elevata o chiuso a chiave, fuori dalla portata dei bambini**.
- v) **Sostituire le parti usurate o danneggiate per garantire la sicurezza**.
- w) **Non tentare di riparare l'elettroutensile se non si è qualificati per farlo**.
- x) **Tenere l'elettroutensile saldamente con entrambe le mani**.

AVVERTENZE DI SICUREZZA PER LA BATTERIA

- a) **Non aprire la batteria**. Pericolo di cortocircuito.
- b) **Proteggere la batteria dal calore (come ad esempio dalla luce solare intensa), dal fuoco, dall'acqua e dall'umidità**. Pericolo di esplosione.
- c) **In caso di danni e uso improprio della batteria, potrebbero essere emessi dei vapori. Ventilare l'area e rivolgersi a un medico in caso di malessere**. I vapori possono irritare l'apparato respiratorio.
- d) **Utilizzare la batteria solo in combinazione con il prodotto Vonroc**. Questo accorgimento protegge la batteria da un sovraccarico pericoloso.
- e) **La batteria può essere danneggiata da oggetti appuntiti come chiodi o cacciaviti o da una**

forza applicata esternamente. Vi è la possibilità che si verifichi un cortocircuito interno e la batteria potrebbe bruciarsi, emettere fumo, esplodere o surriscaldarsi.

AVVERTENZE DI SICUREZZA PER IL CARICABATTERIE

Usò previsto

Caricare esclusivamente pacchi batteria di tipo CD801AA and CD803AA con il caricabatterie. Batterie di tipi diversi potrebbero esplodere provocando lesioni personali e danni.

- L'elettrotensile non deve essere usato da persone con capacità fisiche, sensoriali o mentali ridotte (bambini inclusi) o che non hanno alcuna esperienza o conoscenza dell'elettrotensile, a meno che non siano sorvegliate o siano state istruite sull'uso del prodotto.**
- Accertarsi che i bambini non giochino con il caricabatterie.**
- Non ricaricare batterie non ricaricabili!**
- Durante la ricarica delle batterie sistemare il caricabatterie in un luogo ben ventilato!**

Sicurezza elettrica



Verificare sempre che la tensione di alimentazione corrisponda alla tensione indicata sulla targhetta dei valori nominali.

- Non usare l'elettrotensile se il cavo di alimentazione o la spina sono danneggiati o difettosi.
- Utilizzare solo cavi di prolunga adatti per la potenza nominale dell'elettrotensile, che abbiano uno spessore minimo di 1,5 mm². Se si utilizza un cavo di prolunga con avvolgicavo, srotolare sempre il cavo completamente.

2. INFORMAZIONI RELATIVE ALL'ELETTROUTENSILE

Usò previsto

Questo elettrotensile è destinato all'uso in ambito domestico, per potare e rifinire siepi e cespugli a un'altezza elevata, mentre l'operatore si trova a terra. L'elettrotensile non è destinato ad essere utilizzato con l'operatore in piedi su una scala o su dei gradini. L'elettrotensile non è destinato a tagliare l'erba e non può essere usato come tosa-erba. Questo elettrotensile non è destinato all'uso in ambienti commerciali o industriali.

DATI TECNICI




Il presente manuale d'uso è stato predisposto per diversi set / codici articolo.


Verificare il codice articolo corrispondente nella tabella di sottostante per la composizione e i contenuti corretti del proprio set.

Codice modello	Batterie incluse	Caricabatterie inclusi
HT503DC	-	-
S_HT503DC	CD801AA	CD802AA
S2_HT503DC	2 x CD801AA	CD802AA
S3_HT503DC	CD803AA	CD802AA

Informazioni relative all'elettrotensile	
Tensione	20 V
Frequenza corse a vuoto	1200 corse/min
Lunghezza lama	36 cm
Apertura dei denti	23 mm
Regolazione della lunghezza	200-260 cm
Livello di pressione sonora (LpA)	77,9 dB, k = 3 dB
Livello di potenza sonora (LwA)	87,8 dB, k = 3 dB
LwA garantito	91 dB
Vibrazione	impugnatura anteriore ah = 2,55 m/s ²
	impugnatura posteriore ah = 2,48 m/s ²
	K=1,5 m/s ²
Peso	2,3 kg

Codice modello	CD801AA
Tipo di batteria	Ioni di litio
Tensione	20 V
Capacità	2.0 Ah
Caricabatterie consigliato	CD802AA
Peso	0,3 kg

Codice modello	CD802AA
Ingresso del caricabatteria	220-240V, 50Hz 0.4A
Uscita del caricabatteria	21V  2.5A
Tempo di ricarica batteria 2Ah	60 minuti
Tempo di ricarica batteria 4Ah	120 minuti
Batterie consigliate	CD801AA, CD803AA
Peso	0,36 kg

Codice modello	CD803AA
Tipo di batteria	Ioni di litio
Tensione	20 V 
Capacità	4.0 Ah
Caricabatterie consigliato	CD802AA
Peso	0,65 kg

Utilizzare esclusivamente le batterie seguenti della piattaforma di batterie da 20 V VONROC VPOWER. L'uso di batterie diverse potrebbe causare gravi lesioni personali o danni all'elettro-utensile. Batteria agli ioni di litio da 20 V, 2 Ah, CD801AA
Batteria agli ioni di litio da 20 V, 4 Ah, CD803AA

Il caricabatterie seguente può essere usato per caricare queste batterie.
Caricabatterie rapido CD802AA

Le batterie della piattaforma di batterie da 20 V VONROC VPOWER sono intercambiabili con tutti gli elettro-utensili a batterie della piattaforma da 20 V VONROC VPOWER.

DESCRIZIONE

I numeri che compaiono nel testo si riferiscono alle figure riportate alle pagine 2-5.

1. Testa del tagliasiepi
2. Pulsante di regolazione della testa
3. Anello di bloccaggio della testa
4. Lama del tagliasiepi
5. Levetta di bloccaggio asta
6. Interruttore di accensione/spengimento
7. Asta telescopica
8. Connettore di alimentazione
9. Tracolla
10. Moschettone
11. Coprilama

12. Batteria
13. Caricabatterie
14. Pulsante di sblocco batteria
15. Pulsante per spie a LED della batteria
16. Spie a LED della batteria
17. Spie a LED del caricabatterie

3. ASSEMBLAGGIO



Prima di qualsiasi intervento (manutenzione, cambio utensile, montaggio) sull'elettro-utensile, rimuovere la batteria.



Prima del primo utilizzo la batteria deve essere caricata.

Inserimento della batteria nell'elettro-utensile (Fig. B-1)

Assicurarsi che la batteria sia pulita esternamente prima di collegarla al caricabatterie o alla macchina.

1. Inserire la batteria (12) nella base dell'elettro-utensile, come illustrato nella Fig. B-1.
2. Spingere in avanti la batteria finché scatta in posizione con un clic.

Rimozione della batteria dall'elettro-utensile (Fig. B-1)

1. Premere il pulsante di sblocco batteria (14).
2. Estrarre la batteria dall'elettro-utensile, come illustrato nella Fig. B-1.

Verifica dello stato di carica della batteria (Fig. B-2)

- Per verificare lo stato di carica della batteria, premere brevemente il pulsante (15) sulla batteria.
- La batteria presenta 3 spie che indicano il livello di carica: più spie sono accese più la batteria è carica.
- Se le spie non si illuminano significa che la batteria è completamente scarica e deve essere ricaricata immediatamente.

Ricarica della batteria con il caricabatterie (Fig. B-2)

1. Rimuovere la batteria (12) dall'elettro-utensile.
2. Capovolgere la batteria (12) e inserirla nel caricabatterie (13), come illustrato nella Fig. B-2.
3. Spingere la batteria finché si incastra nell'apposito alloggiamento.

4. Collegare la spina del caricabatterie a una presa di corrente e attendere un momento. Gli indicatori a LED sul caricabatterie (17) si illuminano e mostrano lo stato di carica della batteria

Il caricabatterie è dotato di 2 spie a LED (17) che indicano lo stato del processo di ricarica:

Stato LED rosso	Stato LED verde	Stato caricabatterie
Spento	Spento	Corrente assente
Spento	Acceso fisso	Modalità standby: - Nessuna batteria inserita oppure - Batteria inserita, ma ricarica terminata
Acceso fisso	Spento	In carica

- Per ricaricare completamente la batteria da 2 Ah possono essere necessari fino a 60 minuti.
- Per ricaricare completamente la batteria da 4 Ah possono essere necessari fino a 120 minuti.

Una volta ricaricata la batteria, rimuovere la spina del caricabatterie dalla presa di corrente e rimuovere la batteria dal caricabatterie.



Se si prevede che l'elettrotensile non sarà usato per un periodo prolungato si consiglia di riporlo con la batteria carica.

Assemblaggio dell'elettrotensile (Fig. C, D)

- Fissare la tracolla (9) all'occhiello sull'asta telescopica (7) utilizzando il moschettoni (10).
- Sganciare l'anello di bloccaggio della testa (3) ruotandolo in senso antiorario. Non rimuovere completamente l'anello dalla testa.
- Montare la testa del tagliasièpi (1) sull'asta telescopica (7) inserendo la presa di corrente (8) nella testa.
- Se il connettore (8) non è inserito correttamente, potrebbe mancare il collegamento elettrico e il tagliasièpi non funzionerà. Assicurarsi che il connettore di alimentazione sia completamente inserito nella testa del tagliasièpi. La vite (18) sull'asta telescopica deve essere coperta dalla testa del tagliasièpi (1) e dall'anello di bloccaggio (3).
- Fissare la testa del tagliasièpi (1) ruotando l'anello di bloccaggio (3) in senso orario.



Non allacciare mai la cintura in diagonale tra la spalla e il torace, ma posizionarla su una delle due spalle. In questo modo è possibile sfilarsi rapidamente l'utensile dal corpo in caso di pericolo.

Regolazione dell'altezza dell'asta telescopica (Fig. E-1, E-2)

- Sbloccare la levetta (5) per rilasciare il manico telescopico (7).
- Estendere o ritrarre l'asta telescopica (7) fino alla lunghezza desiderata.
- Bloccare l'asta telescopica con la levetta (5).

Regolazione della testa orientabile del tagliasièpi (Fig. F-1, F-2)

- Premere il pulsante (2) sul lato della testa del tagliasièpi (1).
- Regolare la testa nella posizione desiderata.
- Rilasciare il pulsante (2) e assicurarsi che la testa sia bloccata in posizione.

4. UTILIZZO

Prima dell'uso (Fig. G)

Sfilare il coprilama (11) e lubrificare la lama (4).

Accensione e spegnimento

Tenere sempre il tagliasièpi con entrambe le mani. Mettere una mano sull'asta telescopica (7) e una mano sull'impugnatura posteriore vicino all'interruttore di accensione/spegnimento. Tenere premuto l'interruttore di accensione/spegnimento (6) per mettere in funzione il tagliasièpi. Quando l'interruttore di accensione/spegnimento viene rilasciato il tagliasièpi si arresta in automatico.

Dopo l'uso

Eliminare lo sporco e i detriti dalle lame (4) con una spazzola o un panno. Lubrificare le lame, infilare il coprilama (11) e rimuovere la batteria (12) prima di riporre la macchina.

5. MANUTENZIONE



Prima di eseguire qualsiasi operazione di pulizia e intervento di manutenzione spegnere sempre l'elettrotensile e rimuovere la batteria dall'elettrotensile.

Pulire regolarmente il corpo dell'elettrotensile con un panno morbido, preferibilmente dopo ogni uso. Assicurarsi che le prese d'aria siano libere da polvere e sporcizia. Rimuovere lo sporco particolarmente ostinato con un panno morbido inumidito con acqua e sapone. Non utilizzare solventi come benzina, alcol, ammoniaca, ecc. Le sostanze chimiche di questo tipo danneggiano i componenti sintetici.

Lama

- Indossare sempre guanti di protezione quando si maneggia e si pulisce la lama.
- Pulire la lama e spruzzarci sopra dell'olio protettivo dopo ciascun utilizzo. Si raccomanda di lubrificare la lama con dell'olio protettivo ad intervalli regolari durante i periodi prolungati di lavoro.
- Ispezionare visivamente la condizione della lama. Controllare se le viti sono saldamente inserite nella barra di taglio.

Conservazione

Il tagliaerba dovrebbe essere situata in un posto sicuro e asciutto fuori dalla portata dei bambini. Non posizionare altri oggetti sulla parte superiore di esso.

RISPETTO AMBIENTALE



Le apparecchiature elettriche o elettroniche difettose e/o scartate devono essere raccolte presso gli opportuni siti di riciclaggio.

Solo per i Paesi UE

Non smaltire gli elettrotensili insieme ai rifiuti domestici. Secondo la Direttiva europea 2012/19/CE sui rifiuti delle apparecchiature elettriche ed elettroniche e relativa implementazione nelle normative locali, gli apparecchi elettrici ormai inutilizzabili devono essere raccolti separatamente e smaltiti nel rispetto dell'ambiente.

GARANZIA

I prodotti VONROC sono sviluppati secondo gli standard di qualità più elevati e sono garantiti esenti da difetti sia per quanto riguarda i materiali che la lavorazione per il periodo stabilito per legge a de-

correre dalla data di acquisto iniziale. Se durante questo periodo il prodotto dovesse presentare dei difetti di materiali e/o di lavorazione, contattare direttamente VONROC.

Le seguenti circostanze sono escluse dalla garanzia:

- esecuzione o tentativo di esecuzione di riparazioni o modifiche all'apparecchio da parte di personale di centri di assistenza non autorizzati;
- usura normale;
- maltrattamento, uso in maniera impropria o manutenzione inadeguata dell'apparecchio;
- impiego di ricambi non originali.

La presente costituisce l'unica garanzia espressa o implicita fornita dall'azienda. Non sono concesse altre garanzie, né espresse né implicite, oltre a quelle descritte in questo documento, comprese le garanzie implicite di commerciabilità e idoneità per uno scopo particolare. In nessun caso VONROC sarà ritenuta responsabile di alcun danno incidentale o consequenziale. I rimedi offerti dai rivenditori si limiteranno alla riparazione o alla sostituzione delle unità o dei componenti non conformi.

Il prodotto e il manuale d'uso sono soggetti a modifiche. I dati tecnici possono essere modificati senza ulteriore notifica.

1. SÄKERHETSANVISNINGAR

Läs de medföljande säkerhetsvarningarna, de kompletterande säkerhetsvarningarna och anvisningarna. Underlåtenhet att följa säkerhetsvarningarna och anvisningarna kan orsaka elstöt, brand och/eller allvarlig skada. Spara säkerhetsvarningarna och anvisningarna som framtida referensmaterial.

Följande symboler används i användarhandboken eller på produkten:



Läs användarhandboken.



Anger risk för personskada, dödsfall eller skada på verktyget om anvisningarna i denna handbok inte följs.



Risk för elstöt.



Maxtemperatur 45°C.



Kasta inte batteriet i elden.



Kasta inte batteriet i vatten.



Använd hörselskydd.



Använd skyddsglasögon.



Utsätt inte den för regn.



Håll alltid händerna borta från bladet.



Se upp för föremål som kastas ut. Håll åskådare borta.



Håll produkten borta från högspänningsledning! Minsta avstånd 10 meter.



Klass II-maskin - dubbelisolering - Du behöver ingen jordad kontakt.



Länk till tidsfördröjd miniatyrsäkring.



Separat återvinning av litiumjonbatteriet.



Kassera inte produkten i olämpliga containrar.



Produkten uppfyller gällande säkerhetsnormer i EU-direktiven.

ALLMÄNNA SÄKERHETSFORESKRIFTER FÖR ELVERKTYG



VARNING! Läs alla säkerhetsvarningar och alla anvisningar. Underlåtenhet att följa varningar och instruktioner kan resultera i elstötar, brand och/eller allvarliga skador.

Spara alla varningar och instruktioner för framtida referens.

Uttrycket "elverktyg" i varningarna avser ditt nätanslutna (med sladd) verktyg eller batteridrivna (sladdlösa) elektriska verktyg.

1) Arbetsplats säkerhet

- Håll arbetsplatsen ren och välbelyst.** Belamrade eller mörka områden inbjuder till olyckor.
- Använd inte elektriska verktyg i explosiva atmosfärer, såsom i närvaro av lättantändliga vätskor, gaser eller damm.** Elverktyg skapar gnistor som kan antända damm eller ångor.
- Håll barn och åskådare borta medan du arbetar med ett elverktyg.** Om du blir distraherad kan du tappa kontrollen.

2) Elsäkerhet

- Verktygets elkontakt måste passa till vägguttaget. Ändra inte kontakten på något sätt. Använd inte adapterkontakter med jordade elverktyg.** Omodifierade kontakter och matchande uttag minskar risken för elektrisk stöt.
- Undvik kroppskontakt med jordade ytor såsom rör, värmelement, spisar och kylskåp.** Det finns en ökad risk för elektrisk stöt om din kropp är jordansluten eller jordad.
- Utsätt inte elektriska verktyg för regn eller väta.** Vatten som tränger in i ett elverktyg ökar risken för elstötar.
- Hantera inte elkabeln felaktigt. Använd aldrig sladden för att bära, dra eller koppla bort elverktyet från uttaget. Håll sladden borta från värme, olja, vassa kanter eller rörliga delar.** Skadade eller tilltrasslade sladdar ökar risken för elektrisk stöt.
- När du arbetar med ett elverktyg utomhus, använd en förlängningsladd som passar för**

utomhusanvändning. Användning av en sladd som passar för utomhusanvändning minskar risken för elektrisk stöt.

- f) **Om arbete med ett elverktyg i en fuktig lokal är oundvikligt, använd ett uttag som är skyddat med jordfelsbrytare (RCD).** Användning av jordfelsbrytare minskar risken för elstötar.
- 3) Personlig säkerhet**
- a) **Var uppmärksam, kontrollera vad du gör och använd sunt förnuft när du arbetar med ett elektriskt verktyg. Använd inte ett elverktyg när du är trött eller påverkad av droger, alkohol eller medicinering.** Ett ögonblicks uppmärksamhet under arbetet kan resultera i allvarliga personskador.
- b) **Använd personlig skyddsutrustning. Bär alltid ögonskydd.** Skyddsutrustning såsom dammfilterskydd, halssäkra säkerhetsskor, skyddshjälm eller hörselskydd som används för lämpliga förhållanden minskar personskador.
- c) **Förebygg oavsiktlig igångsättning. Se till att strömbrytaren är i avstängd position innan anslutning till strömkällan och/eller batteriet, verktyget lyfts upp eller bärs.** Om du bär elverktyg med ditt finger på strömbrytaren eller ansluter ett påkopplat elverktyg till nätströmmen kan en olycka inträffa.
- d) **Avlägsna eventuell justeringsnyckel eller skiftnyckel innan du sätter på elverktyget.** En skiftnyckel eller en nyckel som sitter kvar på en roterande del av elverktyget kan resultera i personskada.
- e) **Bøj dig inte för långt. Bibehåll alltid ordentligt fotfäste och balans.** Detta möjliggör bättre kontroll av elverktyget i oväntade situationer.
- f) **Bär lämpliga kläder. Använd inte vida kläder eller smycken. Håll hår, kläder och handskar borta från rörliga delar.** Lösa kläder, smycken eller långt hår kan fastna i rörliga delar.
- g) **Om enheten är försedd med anslutning av dammsug och uppsamlingsmöjlighet, se till att dessa är anslutna och används korrekt.** Dammupptagning minskar dammrelaterade risker.
- h) **Låt inte erfarenheten som uppnås vid frekvent användning av verktyg låta dig bli för självsäker och ignorera verktygs säkerhetsprinciperna.** En oförsiktig handling kan orsaka allvarliga skador under bråkdelen av en sekund.

- 4) Användning och skötsel av elverktyg**
- a) **Bruka inte våld när du använder elverktyget. Använd rätt slags elektriska verktyg för ditt arbete.** Rätt elverktyg gör arbetet bättre och säkrare vid den hastighet som det har konstruerats för.
- b) **Använd inte elverktyget om strömbrytaren inte sätter på och stänger av det.** Ett elverktyg som inte kan kontrolleras med strömbrytaren är farligt och måste repareras.
- c) **Dra ur kontakten från strömkällan och/eller batteriet från elverktyget innan du gör några justeringar, byter tillbehör eller lägger undan elverktyget för förvaring.** Sådana förebyggande säkerhetsåtgärder minskar risken att oavsiktligt starta elverktyget.
- d) **Förvara elverktyg oåtkomliga för barn och låt inte personer som är obekanta med verktyget eller dessa instruktioner använda verktyget.** Elektriska verktyg är farliga i händerna på oefarna användare.
- e) **Underhåll av elektriska verktyg. Kontrollera för feljustering eller om rörliga delar har fastnat, bristning hos delar och andra eventuella förhållanden som kan komma att påverka elverktygets funktion. Om det är skadat, se till att elverktyget blir reparerat före användning.** Många olyckor orsakas av dåligt underhållna elektriska verktyg.
- f) **Håll kapverktyg vassa och rena.** Korrekt underhållna kapverktyg med vassa kanter är mindre troliga att kärva och lättare att kontrollera.
- g) **Använd elverktyget, dess tillbehör och verktyg i enlighet med dessa instruktioner och under beaktande av arbetsförhållandena och det arbete som ska utföras.** Användning av elverktyget för andra uppgifter än vad som avsetts kan resultera i farliga situationer.
- h) **Se till att handtagen är torra, rena och fria från olja och fett.** Hala handtag och greppytter tillåter inte säker hantering och kontroll av verktyget i oväntade situationer.
- 5) Användning och skötsel av batteridrivna verktyg**
- a) **Ladda endast med den laddare som är specificerad av tillverkaren.** En laddare som passar till en typ av batteri kan ge upphov till brandfara när den används tillsammans med ett annat batteri.

- b) **Använd elverktygen enbart med det därtill avsedda batteriet.** Användning av andra batterier kan skapa en risk för skada och brand.
 - c) **När batteriet inte används, håll det borta från andra metallföremål, såsom gem, mynt, nycklar, spikar, skruvar eller andra små metallföremål som kan skapa en förbindelse från ena polen till den andra.** Kortslutning av batteriets terminaler kan leda till brännskada eller brand.
 - d) **Vid felaktig hantering kan vätska komma ut från batteriet, undvik kontakt med denna. Spola med vatten vid oavsiktlig kontakt. Sök läkarhjälp om vätskan kommer i kontakt med ögon.** Vätska som kommer ut från batteriet kan orsaka irritation eller brännskada.
 - e) **Använd inte batterier eller verktyg som är skadade eller modifierade.** Skadade eller modifierade batterier kan uppvisa oförutsägbart beteende som kan leda till brand, explosion eller risk för skada.
 - f) **Utsätt inte batteri eller verktyg för eld eller överdriven temperatur.** Exponering för brand eller temperatur över 130 °C kan orsaka explosion. OBS! Temperaturen "130 °C" kan ersättas med temperaturen "265 °F".
 - g) **Följ alla laddningsanvisningar och ladda inte batteriet eller verktyget utanför det temperaturområde som anges i instruktionerna.** Om du laddar batteriet felaktigt eller vid temperaturer utanför det angivna området kan det skada batteriet och öka risken för brand.
- 6) Service**
- a) **Se till att ditt elverktyg får service av en kvalificerad reparatör, som endast använder identiska ersättningsdelar.** Detta säkerställer att elverktygets säkerhet upprätthålls.
 - b) **Utför aldrig service på skadade batterier.** Service av batteri ska endast utföras av tillverkaren eller auktoriserade serviceleverantörer.

SÄKERHETSVARNINGAR FÖR HÄCKSAX

- a) **Håll alla kroppsdelar borta från skärbladet. Ta inte bort klippt material eller håll kvar material som ska skäras när knivarna rör sig.** Bladet fortsätter att rotera efter att brytaren har stängts av. Ett ögonblicks uppmärksamhet under arbetet med trimmern kan resultera i allvarliga personskador.
- b) **Bär häcksaxen i handtaget med bladet stoppat och se till att du inte aktiverar någon ström-**

- brytare.** Rätt hantering av häcksaxen minskar risken för kroppsskador av klippbladen.
- c) **Se alltid till att skyddet är på under transport eller förvaring av häcksaxen.** Rätt hantering av häcksaxen minskar risken för kroppsskador av klippbladen.
- d) **När du rensar material eller servar enheten, se till att alla strömbrytare är avstängda och att nätsladden är borttagen eller frånkopplad.** Övontad aktivering av häcksaxen vid rensning av materiel eller service kan leda till allvarliga kroppsskador.
- e) **Håll endast häcksaxen i de isolerade greppytorna eftersom det finns risk för att skärbladet kommer i kontakt med dolda ledningar.** Blad som kommer i kontakt med en strömförande ledning kan orsaka att elverktygets synliga metalldelar blir strömförande och ger användaren en elstöt.
- f) **Håll alla strömkablar borta från klippområdet.** Strömkablar eller sladdar kan döljas bland kvistar och blad och kan därför komma att klippas av oavsiktligt.
- g) **Undvik att använda häcksaxen under dåliga väderförhållanden, särskilt när det är risk för åska.** Det minskar risken från att bli träffad av blixten.

SÄRSKILDA SÄKERHETSVARNINGAR FÖR HÄCKSAX

- a) **För att minska risken för elstöt, använd aldrig häcksaxen med förlängd räckvidd nära några elektriska kraftledningar.** Kontakt med eller användning nära elledning kan orsaka allvarliga skador eller elstötar som kan leda till dödsfall.
- b) **Använd alltid två händer när du använder häcksaxen med förlängd räckvidd.** Håll häcksaxen med förlängd räckvidd med båda händerna för att undvika att tappa kontrollen.
- c) **Använd alltid huvudskydd när du använder häcksaxen med förlängd räckvidd ovanför huvudhöjd.** Fallande skräp kan resultera i allvarliga personskador.

YTTERLIGARE SÄKERHETSVARNINGAR

- a) **Verktyget ska inte användas av personer (inklusive barn) med nedsatt fysisk eller mental förmåga eller bristande erfarenhet och kunskap, om de inte får vägledning och övervakas av en person som ansvarar för deras**

säkerhet. Barn skall övervakas så att de inte leker med apparaten.

- b) **Håll alltid i maskinen stadigt med båda händerna och se till att du intar en säker ställning när du arbetar med den.** Elverktøget hanteras säkrare med båda händerna.
- c) **Se alltid till att skydden är monterade när verktyget används.** Försök aldrig använda en ofullständig maskin eller en som är utrustad med en obehörig modifiering.
- d) **Smörj alltid skärbladet med skyddsspray före användning.**
- e) **Vänta alltid till maskinen stannat helt innan den läggs ned.**
- f) **Andra personer och djur ska hålla sig på ett avstånd av 3 meter eller mer när maskinen används.** Operatören ansvarar för andra personer i arbetsområdet.
- g) **Ta aldrig tag i häcksaxens blad.**
- h) **Barn eller personer som inte känner till dessa instruktioner får inte använda häcksaxen.** Det kan finnas lokala bestämmelser om åldersgräns för användaren.
- i) **Klipp inte i närheten av andra, särskilt barn eller husdjur.**
- j) **Användaren är ansvarig för olyckor eller risker som uppstår för andra personer och deras egendom.**
- k) **Använd inte häcksaxen när du är barfota eller bär öppna sandaler, använd alltid kraftiga skor och långbyxor.** Användning av kraftiga handskar, halkfria skor och skyddsglasögon rekommenderas. Använd inte löst sittande kläder eller smycken; de kan fastna i de rörliga delarna.
- l) **Inspektera noggrant området där maskinen ska användas och ta bort alla stenar, pinnar, trådar, ben och andra främmande föremål.**
- m) **Före drift, kontrollera knivblad, knivbultar och skärenhet för slitage eller skador.** Använd inte med en skadad eller alltför sliten enhet.
- n) **Se till att du vet hur du stoppar häcksaxen snabbt i en nödsituation.**
- o) **Använd endast i dagsljus eller bra artificiellt ljus.**
- p) **Använd aldrig häcksaxen med defekta skydd eller utan skyddet på plats.**
- q) **Håll aldrig häcksaxen i skyddet.**
- r) **När du använder häcksaxen, håll alltid ordentligt fotfäste och balans.**

- s) **Var alltid medveten om din omgivning och var uppmärksam på möjliga faror som du kanske inte hör när du använder häcksaxen.**
- t) **Håll alla muttrar, bultar och skruvar åtdragna för att vara säker på att häcksaxen är säker att arbeta med.**
- u) **Häcksaxen bör förvaras på en torr, hög eller inlåst plats utom räckhåll för barn.**
- v) **Byt slitna eller skadade delar av säkerhetsskäl.**
- w) **Försök inte reparera maskinen om du inte är kvalificerad att göra det.**
- x) **Håll maskinen stadigt med båda händerna.**

SÄKERHETSVARNINGAR FÖR BATTERI

- a) **Öppna inte batteriet.** Risk för kortslutning.
- b) **Skydda batteriet mot hetta, t.ex. mot kontinuerlig intensiv solstrålning, brand, vatten och fukt.** Risk för explosion.
- c) **Vid skada och felaktig användning av batteriet kan ångor läcka ut. Ventilera området och sök medicinsk hjälp vid besvär.** Ångorna kan irritera andningssystemet.
- d) **Använd endast batteriet i kombination med din Ferm industriprodukt.** Denna åtgärd ensamt skyddar batteriet mot farlig överbelastning.
- e) **Batteriet kan skadas av vassa föremål såsom spikar eller skruvmejslar eller externa krafter.** En intern kortslutning kan uppstå och batteriet kan brinna, avge rök, explodera eller överhettas.

SÄKERHETSVARNINGAR FÖR LADDARE

Avsedd användning

Ladda endast uppladdningsbara batterier av typen CD801AA och CD803AA med laddaren. Andra typer av batterier kan explodera och orsaka personskada och skada.

- a) **Apparaten får inte användas av personer (inklusive barn) med nedsatt fysisk eller mental förmåga eller brist på erfarenhet och kunskap, såvida de inte övervakas eller instrueras.**
- b) **Barn ska övervakas så att de inte leker med apparaten.**
- c) **Ladda inte batterier som inte är uppladdningsbara!**
- d) **Batterierna måste placeras i ett väl ventilerat område under laddning!**

Elsäkerhet



Kontrollera alltid så att spänningen på nätet motsvarar den spänning som finns angiven på märkplåten.

- Använd inte maskinen om nätkabeln eller nät-kontakten är skadad.
- Använd endast förlängningskablar som är lämpliga för maskinens effekt med en minsta tjocklek på 1,5 mm². Om du använder en kabelvinda, rulla alltid ut kabeln helt.

2. MASKININFORMATION

Avsedd användning

Maskinen är avsedd för hushållsbruk, för att klippa och trimma häckar och buskar på förhöjd höjd, medan användaren befinner sig på marken. Maskinen är inte avsedd att användas på en stege eller trappsteg. Maskinen är inte konstruerad för att klippa gräs och kan inte användas som grästrimmer. Verktyget är inte avsett för kommersiellt eller industriellt bruk.

TEKNISKA SPECIFIKATIONER



Denna handbok har tagits fram för olika uppsättningar / artikelnummer. Kontrollera motsvarande artikelnummer i specifikationstabellen nedan för korrekt sammansättning och innehåll i din uppsättning.

Modell-nr	Batterier ingår	Laddare ingår
HT503DC	-	-
S_HT503DC	CD801AA	CD802AA
S2_HT503DC	2 x CD801AA	CD802AA
S3_HT503DC	CD803AA	CD802AA

Maskininformation	
Spänning	20 V
Slagfrekvens vid tomgång	1200/min
Bladlängd	36 cm
Tandöppning	23 mm
Längdjustering	200-260 cm
Ljudtrycksnivå (Lpa)	77,9 dB, K=3 dB
Ljudeffektnivå LWA	87,8dB, K=3 dB
Garanterad LWA	91 dB

Vibration	främre handtag ah=2,55 m/s ²
	bakre handtag ah=2,48 m/s ²
	K=1,5 m/s ²
Vikt	2,3 kg

Modell-nr	CD801AA
Batterityp	Litiumjonteknik
Spänning	20 V
Kapacitet	2,0 Ah
Rekommenderad laddare	CD802AA
Vikt	0,3 kg

Modell-nr	CD802AA
Laddare in	220-240V, 50Hz 0,4A
Laddare ut	21V 2,5A
Laddningstid 2 Ah batteri	60 minuter
Laddningstid 4 Ah batteri	120 minuter
Rekommenderade batterier	CD801AA, CD803AA
Vikt	0,36 kg

Modell-nr	CD803AA
Batterityp	Litiumjonteknik
Spänning	20 V
Kapacitet	4,0 Ah
Rekommenderad laddare	CD802AA
Vikt	0,65 kg

Använd endast följande batterier från VONROC VPOWER 20V batteriplattform. Användning av andra batterier kan orsaka allvarliga skador eller skador på verktyget.

CD801AA 20V, 2Ah litiumjon
CD803AA 20V, 4Ah litiumjon

Följande laddare kan användas för att ladda dessa batterier.

CD802AA snabbaddare

Batterierna från VONROC VPOWER 20V batteriplattform är utbytbara mellan alla VONROC VPOWER 20V batteriplattformens verktyg.

BESKRIVNING

Siffrorna i texten hänvisar till diagrammen på sida 2-5.

1. Häcksaxhuvud
2. Huvudjusteringsknapp
3. Huvudlåsring
4. Häcksaxblad
5. Handtagets låsspak
6. Strömbrytare
7. Teleskophandtag
8. Strömkontakt
9. Axelrem
10. Karbinhake
11. Skyddshylsa
12. Batteri
13. Batteriladdare
14. Batterifrigöringsknapp
15. Knapp för batteri-LED-indikatorer
16. Batteri-LED-indikatorer
17. LED-laddningsindikering

3 MONTERING

Innan något arbete (underhåll, verktygsbyte, montering) på elverkytet, ta bort batteriet från elverkytet.



Batteriet måste laddas innan det används för första gången.

Insättning av batteriet i maskinen (fig. B-1)

Se till att batteriets utsida är ren och torr innan du ansluter det till laddaren eller maskinen.

1. Sätt in batteriet (12) i maskinens bas enligt fig. B-1.
2. Skjut batteriet framåt tills det klickar på plats.

Borttagning av batteriet från maskinen (fig. B-1)

1. Tryck på batterifrigöringsknappen (14).
2. Dra ut batteriet ur maskinen enligt fig. B-1.

Kontroll av batteriets laddningsstatus (fig. B-2)

- Tryck kort på knappen (15) på batteriet för att kontrollera batteriets laddningsstatus.
- Batteriet har 3 lampor som indikerar laddningsnivån. Ju fler lampor som lyser, desto mer är batteriet laddat.
- När lamporna inte lyser betyder det att batteriet är tomt och måste laddas omedelbart.

Laddning av batteriet med laddaren (fig. B-2)

1. Ta ut batteriet (12) från maskinen.
2. Vänd batteriet (12) upp och ner och tryck in det i laddaren (13) enligt fig. B-2.
3. Tryck in batteriet tills det kommer in i luckan helt.
4. Koppla in laddarens kontakt i ett eluttag och vänta en stund. Laddarens LED-indikatorer (17) kommer att lysa och visa laddningsstatus

Laddaren har 2 LED-indikatorer (17) som anger status för laddningsprocessen:

Röd LED-status	Grön LED-status	Laddningsstatus
Av	Av	Ingen ström
Av	På	Standbyläge: - Inget batteri insatt eller - Batteriet är isatt men laddningen är klar
På	Av	Batteriladdning pågår

- Det kan ta upp till 60 minuter att fulladda 2 Ah-batteriet.
- Det kan ta upp till 120 minuter att fulladda 4 Ah-batteriet.

Ta ut laddningskontakten från uttaget och ta ut batteriet från laddaren när batteriet har fulladdats.



När maskinen inte används under längre tid är det bäst att lagra batteriet i laddat tillstånd.

Verktygsmontering (fig. C, D)

- Fäst axelremmen (9) vid ögla på handtaget (7) med karbinhaken (10).
- Släpp huvudlåsringen (3) genom att rotera den moturs. Ta inte bort ringen helt från huvudet.
- Montera häcksaxens huvud (1) på teleskophandtaget (7) genom att sätta in strömkontakten (8) i huvudet.
- Om kontakten (8) inte är korrekt isatt kan det hända att det inte finns någon elektrisk anslutning och verktyget kommer inte att fungera. Se till att strömkontakten är helt isatt i häcksaxens huvud. Skruven (18) på handtaget ska täckas av trimmerhuvudet (1) och låsringen (3).

- Säkra häcksaxens huvud (1) genom att vrida låsringen (3) medurs



Spänn aldrig bältet diagonalt över axeln och bröstet, utan placera det på ena axeln. På så sätt kan du snabbt ta bort verktyget från din kropp i händelse av fara.

Justering av teleskophöjden (fig. E-1, E-2)

- Lås upp spaken (5) för att frigöra teleskophandtaget (7).
- Dra ut eller dra in teleskophandtaget (7) till önskad längd.
- Säkra teleskophandtaget genom att låsa spaken (5).

Justering av det svängbara häcksaxhuvudet (Fig. F-1, F-2)

- Tryck på knappen (2) på sidan av häcksaxens huvud (1).
- Justera huvudet till önskat läge.
- Släpp knappen (2) och se till att huvudet är låst på plats.

4. ANVÄNDNING

Före användning (fig. G)

Ta bort bladskyddet (11) och smörj bladen (4).

Slå på och stänga av

Håll alltid häcksaxen med båda händerna. Placera en hand på teleskophandtaget (7) och en hand på det bakre handtaget nära strömbrytaren. Tryck och håll in strömbrytaren (6) för att använda maskinen. När strömbrytaren släpps kommer maskinen automatiskt att stanna.

Efter användning

Torka av smuts och skräp från knivarna (4) med en borste eller trasa. Smörj knivarna, sätt dit bladskyddet (11) och ta bort batteriet (12) innan du förvarar maskinen.

5. UNDERHÅLL



Stäng alltid av maskinen och ta ut batteriet från maskinen innan rengöring och underhåll.

Rengör maskinen hus regelbundet med en mjuk trasa, helst efter varje gång du använder maski-

nen. Se till att ventilationsöppningarna är fria från damm och smuts. Ta bort mycket ihållande smuts med en mjuk trasa fuktad med tvällösning. Använd inte någon lösningsmedel såsom bensin, alkohol, ammoniak, osv. Sådana kemikalier skadar de syntetiska komponenterna.

Skärblad

- Använd alltid handskar när du hanterar eller rengör skärbladen.
- Rengör skärbladen och spraya med en skyddande olja efter varje användning. Vi rekommenderar att du smörjer skärbladen med skyddande olja med jämna mellanrum under långa arbetsperioder.
- Inspektera regelbundet skärbladens skick. Kontrollera att skruvarnas sätter ordentligt i skärstången.

Förvaring

Häcksaxen ska förvaras på en säker, torr plats, väl utom räckhåll för barn. Placera inte andra föremål ovanpå dem.

MILJÖ



Felaktig och/eller kasserad elektrisk eller elektronisk utrustning måste lämnas in på lämpliga återvinningsstationer.

Endast för EU-länder

Kassera inte elverktyg i hushållsavfall. Enligt den europeiska riktlinjen 2012/19/EG om kasserad elektrisk och elektronisk utrustning och dess tillämpning i nationell rätt måste elverktyg som inte längre är användbara samlas in separat och kasseras på ett miljövänligt sätt.

GARANTI

VONROC-produkter är utvecklade enligt högsta kvalitetsstandard och garanteras fria från defekter i både material och utförande under den period som lagen föreskriver från och med inköpsdatumet. Om produkten skulle utveckla fel under denna period på grund av defekt material och/eller utförande, kontakta då VONROC direkt.

Följande omständigheter är undantagna från denna garanti:

- Reparationer och/eller ändringar har gjorts eller försökts utföras på maskinen av obehöriga servicecenter;
- Normalt slitage;
- Verktyget har missbrukats, använts på fel sätt eller underhållits felaktigt;
- Reservdelar som inte är original har använts.

Detta utgör den enda garantin som företaget ger antingen uttryckt eller underförstått. Det finns inga andra garantier uttryckta eller underförstådda som sträcker sig bortom detta, inklusive de underförstådda garantierna för säljbarhet och lämplighet för ett visst syfte. Under inga omständigheter ska VONROC hållas ansvarigt för indirekta skador eller följdskador. Återförsäljarnas åtgärder ska begränsas till reparation eller byte av enheter eller delar som inte uppfyller kraven.

Produkten och användarhandboken kan ändras. Specifikationerna kan ändras utan förvarning.

1. TURVALLISUUSOHJEET

Lue tämän ohjekirjan varoitukset, lisäturvallisuusohjeet ja ohjeet. Jos turvallisuusvaroituksia ja ohjeita ei noudateta, seurauksena voi olla sähköisku, tulipalo ja/tai vakava henkilövahinko. Säilytä turvallisuusvaroitukset ja ohjeet tulevaa käyttöä varten.

Ohjekirjassa ja tuotteessa käytetään seuraavia merkkejä:



Lue ohjekirja.



Ilmoittaa henkilövahingon, kuoleman tai työkalun vaurioitumisen vaarasta, jos tämän ohjekirjan ohjeita ei noudateta.



Sähköiskun vaara.



Max 45°C

Maksimilämpötila 45°C.



Akkua ei saa hävittää tuleen.



Akkua ei saa hävittää veteen.



Käytä suojakypärää.



Käytä suojalaseja.



Suojaa vesisateelta.



Pidä kädet loitolla terästä.



Varo sinkoutuvia esineitä. Pääsy kielletty ulkopuolisilta.



Pidä tuote loitolla suurjännitelinjoista! Vähimmäisetäisyys 10 metriä.



Luokan II laite - Kaksoeristys - Ei vaadi maadoitettua pistoketta.



Pieni sulakeliitäntä aikaviiveellä.



Hävitä litiumioniakku erilliskeräykseen.

Älä hävitä tuotetta virheellisesti.



Tuote täyttää Euroopan direktiivien soveltuviin turvallisuusstandardien vaatimukset.

SÄHKÖTYÖKALUN YLEISET VAROITUKSET



VAROITUS! Lue kaikki turvallisuutta koskevat varoitukset ja ohjeet. Jos varoituksia ja ohjeita ei noudateta, seurauksena voi olla sähköisku, tulipalo ja/ tai vakava henkilövahinko.

Säilytä kaikki varoitukset ja ohjeet tulevaa käyttöä varten.

Varoituksissa oleva termi "sähkötyökalu" viittaa verkkovirralla toimivaan (johdolliseen) sähkötyökaluun tai akkukäyttöiseen (johdottomaan) sähkötyökaluun.

1) Työalueen turvallisuus

- Pidä työalue mahdollisimman puhtaana ja varmista alueen hyvä valaistus.** Onnettomuuksia voi sattua helpommin epäsiistillä tai huonosti valaistulla alueella.
- Älä käytä sähkötyökaluja räjähdysalttiissa ympäristössä, kuten syttyvien nesteiden, kaasujen tai pölyn lähellä.** Sähkötyökalut luovat kipinöitä, jotka voivat sytyttää pölyn tai höyryt.
- Varmista, etteivät lapset tai sivulliset pääse työkalun lähelle sen ollessa käytössä.** Häiriöt voivat aiheuttaa hallinnan menetyksen.

2) Sähköturvallisuus

- Sähkötyökalun pistokkeiden tulee sopia pistorasiaan. Älä koskaan muuta pistoketta millään tavalla. Älä käytä sovittipistokkeita maadoitettujen sähkötyökalujen kanssa.** Muuttamattomat pistokkeet ja sopivat pistorasiat vähentävät sähköiskun vaaraa.
- Vältä koskettamasta maadoitettuihin pintoihin (mm. putket, lämpöpatterit, liedet ja jääkaappi).** Sähköiskun vaara on suurempi, jos kehosi on maadoitettu.
- Suojaa sähkötyökalut vesisateelta ja kosteudelta.** Jos sähkötyökaluun pääsee vettä, sähköiskun vaara on suurempi.
- Johdon väärinkäyttö on kielletty. Älä koskaan käytä johtoa sähkötyökalun kantamiseen, vetämiseen tai irrottamiseen pistorasiasta. Pidä johto poissa lämmöstä, öljystä, terävistä reunoista tai liikkuvista osista.** Vaurioituneet tai sotkeutuneet johdot lisäävät sähköiskun vaaraa.

- Jos sähkötyökalua käytetään ulkona, käytä ulkokäyttöön sopivaa jatkojohtoa.** Käytä ulkokäyttöön sopivaa johtoa, jolloin sähköiskun vaara on pienempi.
- Jos sähkötyökalua on käytettävä kosteassa ympäristössä, käytä vikavirtasuojakytkintä (RCD).** Vikavirtasuojakytkimen käyttö vähentää sähköiskun vaaraa.

3) Henkilökohtainen turvallisuus

- Pysy valppaana, tarkkaile toimenpiteitä ja käytä tervettä järkeä sähkötyökalun käytön aikana. Älä käytä sähkötyökalua väsyneenä tai alkoholin, huumausaineiden tai lääkkeiden vaikutuksen alaisena.** Pienikin epähuomio sähkötyökalun käytön aikana voi johtaa vakavaan henkilövahinkoon.
- Käytä henkilökohtaisia suojarusteita. Käytä aina suojalaseja.** Asianmukaisissa olosuhteissa käytetyt suojarusteet, kuten hengityssuoja, liukumattomat turvajalkineet, suojakypärä tai kuulonsuojaimet vähentävät henkilövahinkoja.
- Estä tahaton käynnistyminen. Varmista, että kytkin on off-asennossa, ennen kuin liität työkalun virtalähteeseen ja/ tai akkuun, nostat tai kannat työkalua.** Onnettomuuksia voi aiheutua, jos sähkötyökalua kuljetetaan sormi liipaisimella tai se liitetään virtalähteeseen kytkin päällä.
- Poista mahdolliset säätöavaimet ennen työkalun käynnistämistä.** Jos jokin avain on jätetty kiinni sähkötyökalun liikkuvaan osaan, seurauksena voi olla henkilövahinko.
- Älä kurkottele. Varmista aina hyvä jalansija ja tasapaino.** Tämä mahdollistaa sähkötyökalun paremman hallinnan odottamattomissa tilanteissa.
- Pukeudu asianmukaisesti. Älä käytä väljiä vaatteita tai koruja. Pidä hiukset, vaatteet ja käsineet poissa liikkuvista osista.** Väljät vaatteet, korut tai pitkät hiukset voivat tarttua liikkuviin osiin.
- Jos laitteissa on pölynpoisto- ja keräysjärjestelmien liitäntä, varmista niiden oikeaoppinen kytkentä ja käyttö.** Pölynpoistolaitteen käyttö voi vähentää pölyn aiheuttamia vaaroja.
- Turvallisuusohjeet tulee huomioida aina, vaikka olisit tottunut käyttämään työkaluja usein.** Huolimattomuus voi aiheuttaa vakavia henkilövahinkoja sekunnin murto-osassa.

4) Akkutoimisen työkalun käyttö ja hoito

- a) **Älä kohdistaa voimaa sähkötyökaluun. Käytä oikeaa sähkötyökalua käyttötarkoitukseen.** Oikea sähkötyökalu suoriutuu tehtävästä paremmin ja turvallisemmin suunnitellulla kiertonopeudella.
 - b) **Älä käytä sähkötyökalua, jos virtakytkin ei kytkeydy päälle ja pois päältä.** Jos sähkötyökalua ei voida hallita virtakytkimellä, vaaratilanteita voi syntyä ja se tulee korjata.
 - c) **Irrota pistoke virtalähteestä ja/tai akku sähkötyökalusta ennen säätöjen tekemistä, lisävarusteiden vaihtamista tai sähkötyökalujen varastointia.** Tällaiset ennaltaehkäisevät turvatoimenpiteet vähentävät sähkötyökalun tahattoman käynnistymisen riskiä.
 - d) **Säilytä käyttämättömät sähkötyökalut poissa lasten ulottuvilta äläkä anna sellaisten henkilöiden käyttää sähkötyökalua, jotka eivät tunne sähkötyökalua tai näitä ohjeita.** Sähkötyökalut ovat vaarallisia kouluttamattomien henkilöiden käsissä.
 - e) **Varmista sähkötyökalujen oikeaoppinen ylläpito.** Tarkista liikkuvien osien kohdistusvirhe tai kiinnittyminen, osien rikkoutuminen ja muut olosuhteet, jotka voivat vaikuttaa sähkötyökalun toimintaan. Jos sähkötyökalu on vaurioitunut, korjauta se ennen käyttöä. Monet onnettomuudet johtuvat huonosti huolletuista sähkötyökaluista.
 - f) **Varmista, että leikkuuvälineet ovat aina teräviä ja puhtaita.** Oikein huolletut leikkuuvälineet, joissa on terävät leikkuureunat, eivät tartu helposti kiinni ja niitä on helpompi hallita.
 - g) **Käytä sähkötyökalua, lisävarusteita ja työkalun teriä jne. näiden ohjeiden mukaisesti ottaen huomioon työolosuhteet ja suoritettava työ.** Sähkötyökalun käyttäminen muuhun kuin sen käyttötarkoitukseen voi johtaa vaaralliseen tilanteeseen.
 - h) **Pidä kahvat ja kädensijat kuivina, puhtaina, öljyttöminä ja rasvattomina.** Jos Kahvat ja kädensijat ovat liukkaita, työkalua ei voida käsitellä turvallisesti odottamattomissa tilanteissa.
- 5) Akkutoimisen työkalun käyttö ja hoito**
- a) **Lataa ainoastaan valmistajan määrittämällä laturilla.** Yhteen akkutyyppeihin sopiva laturi voi luoda tulipalovaaran, jos sitä käytetään toisella akulla.

- b) **Käytä sähkötyökaluja ainoastaan määritetyillä akuilla.** Muiden akkujen käyttö voi aiheuttaa henkilövahinkoja ja tulipalovaaran.
 - c) **Kun akkua ei käytetä, pidä se kaukana muista metalliesineistä (esim. klemmarit, kolikot, avaimet, naulat, ruuvit jne. muut pienet metalliesineet, jotka luovat yhteyden napojen välille.** Akkunapojen oikosulku voi aiheuttaa palovammoja tai tulipalon.
 - d) **Nestettä voi tulla akusta virheellisissä olosuhteissa. Vältä koskettamista siihen. Jos kosketat siihen vahingossa, huuhtelee vedellä. Jos nestettä pääsee silmiin, ota tämän lisäksi yhteyttä lääkäriin.** Akusta ulos tuleva neste voi aiheuttaa ärsytystä ja palovammoja.
 - e) **Älä käytä akkua tai työkalua, joka on vaurioitunut tai jota on muutettu.** Vaurioituneet ja muutetut akut voivat aiheuttaa odottamatonta toimintaa, mikä voi johtaa tulipaloon, räjähdykseen tai henkilövahinkovaaraan.
 - f) **Suojaa akku ja työkalu tulelta ja kuumuudelta.** Tullelle tai yli 130 °C lämpötilalla altistuessa seurausena voi olla räjähdys. HUOMAA: Lämpötila 130 °C vastaa 265 °F lämpötilaa.
 - g) **Noudata kaikki latausohjeita ja lataa akku tai työkalu ainoastaan ohjeiden mukaisessa lämpötilassa.** Virheellinen tai määritetystä lämpötilasta poikkeavassa lämpötilassa lataaminen voi vaurioittaa akkua ja lisätä tulipalovaaraa.
- 6) Huolto**
- a) **Anna pätevän korjaajan korjata sähkötyökalu käyttäen ainoastaan samanlaisia varaosia.** Täten taataan sähkötyökalun turvallisuus.
 - b) **Vaurioituneita akkuja ei saa koskaan huoltaa.** Ainoastaan valmistaja tai valtuutettu huoltoliike saa huoltaa akkua.

PENSASLEIKKURIN TURVALLISUUSVAROITUKSET

- a) **Pidä kaikki kehonosat poissa terästä. Älä poista leikkattua materiaalia tai pidä kiinni leikkattavasta materiaalista, kun terät liikkuvat.** Terät jatkavat liikkumista kytkimen sammuttamisen jälkeen. Pienikin epähuomio pensasleikkurin käytön aikana voi johtaa vakavaan henkilövahinkoon.
- b) **Kanna pensasleikkuria kahvasta terä pysäytetynä ja varo käyttämästä virtakytkintä.** Pensasleikkurin oikeaoppinen kantaminen vähentää

- tahattoman käynnistyksen ja terien aiheuttamien henkilövahinkojen riskiä.
- c) **Kun kuljetat tai säilytät pensasleikkuria, asenna aina teräsuojus.** Pensasleikkurin oikeaoppinen käsittely vähentää terien aiheuttamaa henkilövahinkojen riskiä.
- d) **Kun poistat juuttunutta materiaalia tai huollat laitetta, varmista, että kaikki virtakytkimet ovat pois päältä ja akku on poistettu tai irrotettu.** Pensasleikkurin odottamaton käyttö jumiutuneen materiaalin poistamisen tai huollon aikana voi johtaa vakavaan henkilövahinkoon.
- e) **Pidä pensasleikkuria vain eristetyistä tartuntapinnoista, koska terä voi koskettaa piilossa olevia johtoja.** Jos terät joutuvat kosketuksiin jännitteisen johdon kanssa, ne voivat tehdä pensasleikkurin metalliosista jännitteisenä ja aiheuttaa käyttäjälle sähköiskun.
- f) **Pidä kaikki virtajohdot ja kaapelit poissa leikkausalueelta.** Virtajohdot tai kaapelit voivat olla piilossa pensaisissa, ja terä voi vahingossa katkaista ne.
- g) **Älä käytä pensasleikkuria huonoissa sääolosuhteissa, etenkin salaman vaarassa.** Tämä vähentää salaman iskun riskiä.
- b) **Pidä laitteesta aina lujasti molemmin käsin käytön aikana ja varmista tukeva asento.** Sähkötyökalua voidaan ohjata turvallisemmin molemmin käsin.
- c) **Varmista aina, että kaikki kahvat ja suojukset on asennettu laitteen käytön aikana.** Älä koskaan yritä käyttää laitetta, josta puuttuu osia tai johon on tehty luvattomia muutoksia.
- d) **Voitele leikkuuterä aina suojasuihkeella ennen käyttöä.**
- e) **Odota aina, että kone on pysähtynyt kokonaan ennen sen asettamista alas.**
- f) **Muiden henkilöiden ja eläinten tulee pysyä vähintään 3 metrin etäisyydellä laitetta käytettäessä.** Käyttäjä on vastuussa työalueella olevista sivullisista.
- g) **Älä koskaan tartu pensasleikkurin terään.**
- h) **Lapset tai henkilöt, jotka eivät tunne näitä ohjeita, eivät saa käyttää pensasleikkuria.** Paikalliset määräykset voivat rajoittaa käyttäjän ikää.
- i) **Älä koskaan leikkaa pensasaitaa, kun lähellä on ihmisiä, erityisesti lapsia tai lemmikkejä.**
- j) **Käyttäjä on vastuussa onnettomuuksista tai henkilö- ja omaisuusvahinkojen vaarasta.**
- k) **Älä käytä pensasleikkuria avojaloin tai avoimilla sandaaleilla, käytä aina suljettuja jalkineita ja pitkiä housuja.** Suosittelemme kestävien käsineiden, liukumattomien jalkineiden ja suojalasiin käyttöä. Älä käytä löysiä vaatteita tai koruja, jotka voivat tarttua liikkuviin osiin.
- l) **Tarkasta huolellisesti alue, jossa pensasleikkuria aiotaan käyttää ja poista alueelta kaikki johdot ja muut vieraat esineet.**
- m) **Tarkista ennen käyttöä terät, teräpultit ja leikkurikokoonpano kulumien ja vaurioiden varalta.** Älä käytä laitetta, jos leikkuulaite on vaurioitunut tai kulunut liikaa.
- n) **Pensasleikkuri on osattava pysäyttää nopeasti hätätilanteessa.**
- o) **Leikkaa pensas vain päivänvalossa tai hyvässä keinovalossa.**
- p) **Älä koskaan käytä pensasleikkuria viallisilla suojuksilla tai ilman suojusta.**
- q) **Älä koskaan pidä pensasleikkuria suojuksista.**
- r) **Kun käytät pensasleikkuria, varmista aina hyvä jalansija ja tasapaino.**
- s) **Ole aina tietoinen ympäristöstäsi ja pysy valppaana mahdollisista vaaroista, joita et ehkä kuule pensasleikkuria käyttäessäsi.**

PIDENNETYN PENSASLEIKKURIN TURVALLISUUSVAROITUKSET

- a) **Sähköiskun riskin vähentämiseksi älä koskaan käytä pidennettyä pensasleikkuria sähkölinjojen lähellä.** Kosketus sähköjohtojen kanssa tai käyttö niiden lähellä voi aiheuttaa vakavan loukkaantumisen tai sähköiskun, joka voi johtaa kuolemaan.
- b) **Käytä aina kahta kättä käyttäessäsi pidennettyä pensasleikkuria.** Pidä pidennettyä pensasleikkuria molemmin käsin välttääksesi hallinnan menettämisen.
- c) **Käytä aina suojakypärää, kun käytät pidennettyä pensasleikkuria pään yläpuolella.** Putoavat roskat voivat aiheuttaa vakavia henkilövahinkoja.

LISÄVAROITUKSET

- a) **Tätä laitetta ei ole tarkoitettu sellaisten henkilöiden (lapset mukaan lukien) käytettäväksi, joilla on fyysisiä, aistillisia tai henkisiä puutteita tai puutteellinen kokemus ja tuntemus, ellei heidän turvallisuudestaan vastuussa oleva henkilö ohjaa tai valvo heitä laitteen käytössä.** Lapsia on valvottava, jotta he eivät leikkisi laitteella.

- t) Pidä kaikki mutterit, pultit ja ruuvit kireällä varmistaaksesi, että pensasleikkuri on aina turvallisessa käyttökunnossa.
- u) Pensasleikkuria tulee säilyttää kuivassa, korkealla tai lukitussa paikassa poissa lasten ulottuvilta.
- v) Vaihda kuluneet tai vaurioituneet osat turvallisuuden takaamiseksi.
- w) Älä yritä korjata laitetta, ellei sinulla ole siihen pätevyyttä.
- x) Pidä laitteesta tukevasti molemmin käsin.

AKUN TURVALLISUUSVAROITUKSET

- a) Älä avaa akkua. Oikosulun vaara.
- b) Suojaa akku lämmöltä (esim. jatkuvalta aurin-gonvalolta), tulelta, vedeltä sekä kosteudelta. Räjähdyksivaara.
- c) Jos akku vaurioituu tai sitä käytetään virheellisesti, siitä voi päästä höyryä. Tuuleta alue ja ota yhteyttä lääkäriin, mikäli valituksia ilmenee. Höyryt voivat aiheuttaa ärsytystä hengitysteihin.
- d) Käytä akkua ainoastaan Vonroc-tuotteen kanssa. Täten akku suojataan vaaralliselta ylikuormituksesta.
- e) Terävät kohteet (esim. naulat tai ruuvimeisselit) tai ulkoiset iskuvoimat voivat vahingoittaa akkua. Seurauksena voi olla oikosulku ja akku voi palaa, räjähtää tai ylikuumentua tai siitä voi päästä savua.

LATURIN TURVALLISUUSVAROITUKSET

Käyttötarkoitus

Lataa laturilla vain CD801AA- ja CD803AA-tyyppisiä ladattavia akkuja. Muut akkutyypit voivat puhjeta ja aiheuttaa henkilö- ja omaisuusvahinkoja.

- a) Laitetta ei ole tarkoitettu sellaisten henkilöiden (lapset mukaan lukien) käytettäväksi, joilla on fyysisiä, aistillisia tai henkisiä puutteita tai puutteellinen kokemus ja tuntemus, ellei heitä ohjata tai valvota.
- b) Lapsia on valvottava, jotta he eivät leikkisi laitteella.
- c) Ei-ladattavia akkuja ei saa ladata!
- d) Akut tulee asettaa hyvin tuuletetulle alueelle lataamisen aikana!

Sähköturvallisuus



Tarkista aina, että virtalähteen jännite vastaa arvokilvessä olevaa jännitettä.

- Älä käytä laitetta, jos virtajohto tai verkkopistoke on vaurioitunut.
- Käytä vain jatkojohtoja, jotka sopivat laitteen teholuokitukseen ja joiden paksuus on vähintään 1,5 mm². Jos käytät jatkoakapelin kela, rullaa kaapeli aina kokonaan auki.

2. LAITTEEN TIEDOT

Käyttötarkoitus

Tämä laite on tarkoitettu kotikäyttöön, pensasaitojen ja pensaiden leikkaamiseen ja leikkaamiseen korkealla korkeudella käyttäjän ollessa maassa. Sitä ei ole tarkoitettu käytettäväksi tikkailla tai portailla. Laitetta ei ole tarkoitettu leikkaamaan ruohoa, eikä sitä voi käyttää ruohonleikkurina. Tätä laitetta ei ole tarkoitettu kaupalliseen tai teolliseen käyttöön.

TEKNISET TIEDOT





Tämä ohjekirja on laadittu eri sarjoille/ tuotenumeroille. Tarkista sarjasi oikea kokoonpano ja sisältö vastaavan tuotenumeron mukaan alla olevista teknisistä tiedoista.


Mallinro	Sisältää akut	Sisältää laturit
HT503DC	-	-
S_HT503DC	CD801AA	CD802AA
S2_HT503DC	2 x CD801AA	CD802AA
S3_HT503DC	CD803AA	CD802AA

Laitteen tiedot	
Jännite	20 V
Iskutaajuus kuormittamattomana	1200/min
Terän pituus	36 cm
Hammasväli	23 mm
Pituuden säätö	200-260 cm
Äänenpainetaso (LpA)	77,9 dB, k = 3 dB
Äänitehotaso (LWA)	87,8 dB, k = 3 dB
Taattu LWA	91 dB

Tärinä	etukahva ah = 2,55 m/s ²
	takakahva ah = 2,48 m/s ²
	K = 1,5 m/s ²
Paino	2,3 kg

Mallinro	CD801AA
Akkutyyppi	Litiumioni
Jännite	20 V 
Kapasiteetti	2,0 Ah
Suositteltu laturi	CD802AA
Paino	0,3 kg

Mallinro	CD802AA
Laturin tulo	220-240 V, 50 Hz 0,4 A
Laturin lähtö	21 V  2,5 A
Latausaika 2 Ah akku	60 minuuttia
Latausaika 4 Ah akku	120 minuuttia
Suosittelut akut	CD801AA, CD803AA
Paino	0,36 kg

Mallinro	CD803AA
Akkutyyppi	Litiumioni
Jännite	20 V 
Kapasiteetti	4,0 Ah
Suositteltu laturi	CD802AA
Paino	0,65 kg

Käytä ainoastaan seuraavia VONROC VPOWER 20 V -akkualustan akkuja. Muiden akkujen käyttö voi aiheuttaa vakavia henkilövahinkoja tai vaurioittaa laitetta.

CD801AA 20 V, 2 Ah Litiumioni
CD803AA 20 V, 4 Ah Litiumioni

Nämä akut voidaan ladata seuraavalla laturilla.
CD802AA Pikalaturi

VONROC VPOWER 20 V -akkualustan akut sopivat kaikkiin VONROC VPOWER 20 V -akkualustan työkaluihin.

KUVAUS

Tekstin numerot viittaavat sivujen 2 - 5 kaavioihin.

1. Pensasleikkurin pää
2. Pään säätöpainike
3. Pään lukitusrenkas
4. Pensasleikkurin terä
5. Kahvan lukitusvipu
6. Virtakytkin
7. Teleskooppikahva
8. Virtaliitin
9. Olkahihna
10. Sulkurengas
11. Suojaholkki
12. Akku
13. Akkulaturi
14. Akun vapautuspainike
15. Akun LED-merkkivalojen painike
16. Akun LED-merkkivalot
17. Laturin LED-merkkivalot

3. KOKOAMINEN



Ennen kuin teet sähkötyökaluun liittyviä töitä (huolto, työkalun vaihto, kokoaminen), poista akku sähkötyökalusta.



Akku tulee ladata ennen ensimmäistä käyttökertaa.

Akun asentaminen laitteeseen (kuva B-1)

Varmista, että akku on ulkoisesti puhdas ja kuiva ennen sen liittämistä laturiin tai laitteeseen.

1. Aseta akku (12) laitteen kantaan kuvan B-1 mukaisesti.
2. Paina akkua syvemmälle, kunnes se napsahtaa paikoilleen.

Akun poistaminen laitteesta (kuva B-1)

1. Paina akun vapautuspainiketta (14).
2. Vedä akku pois laitteesta kuvan B-1 mukaisesti.

Akun lataustason tarkistaminen (kuva B-2)

- Tarkista akun lataustila painamalla akun painiketta (15) lyhyesti.
- Akussa on 3 merkkivaloa, jotka osoittavat lataustason. Mitä enemmän merkkivaloja palaa, sitä enemmän akussa on virtaa jäljellä.
- Kun merkkivalot ovat sammuneet, akku on tyhjä ja se tulee ladata välittömästi.

Akun lataaminen laturilla (kuva B-2)

1. Poista akku (12) laitteesta.

- Käännä akku (12) ylösalaisin ja liu'uta se laturiin (13) kuvan B-2 mukaisesti.
- Paina akkua, kunnes se on kokonaan asennusaukossa.
- Liitä laturin pistoke sähköverkkoon ja odota hetki. Laturin LED-merkkivalot (17) syttyvät ja osoittavat laturin tilan.

Laturissa on kaksi LED-merkkivaloa (17), jotka osoittavat latauksen tilan:

Punainen LED-tila	Vihreä LED-tila	Laturin tila
Pois	Pois	Ei virtaa
Pois	Päällä	Valmiustila: - Akkua ei ole asetettu paikoilleen, tai - Akku paikoillaan, mutta sen lataus on päättynyt
Päällä	Pois	Akun lataus käynnissä

- Akun 2 Ah täyteen lataaminen voi kestää jopa 60 minuuttia.
- Akun 4 Ah täyteen lataaminen voi kestää jopa 120 minuuttia.

Kun akku on ladattu täyteen, poista laturin pistoke sähköverkosta ja irrota akku laturista.



Kun laitetta ei käytetä pitkään aikaan, akku kannattaa varastoida ladattuna.

Työkalun kokoaminen (kuvat C, D)

- Kiinnitä olkahihna (9) kahvan (7) lenkkiin sulku- renkaalla (10).
- Vapauta päään lukitusrenkas (3) kiertämällä sitä vastapäivään. Älä poista rengasta kokonaan päästä.
- Asenna pensasleikkurin pää (1) teleskooppikahvaan (7) työntämällä virtaliitin (8) päähän.
- Jos liitintä (8) ei ole asetettu kunnolla paikalleen, sähköliitintä ei välttämättä ole mahdollinen eikä työkalu toimi. Varmista, että virtaliitin on työnnetty kokonaan pensasleikkurin päähän. Kahvan ruuvin (18) tulee peittää trimmeripäällä (1) ja lukitusrenkaalla (3).
- Kiinnitä pensasleikkuripää (1) kiertämällä lukitusrenkasta (3) myötäpäivään



Älä koskaan kiinnitä vyötä vinosti olkapään ja rinnan yli, vaan aseta se yhdelle olkapäälle. Näin voit nopeasti poistaa työkalun kehostasi vaaratilanteessa.

Teleskooppikorkeuden säätäminen (kuvat E-1, E-2)

- Avaa vipu (5) vapauttaaksesi teleskooppikahvan (7).
- Vedä teleskooppikahva (7) ulos ja sisään haluttuun pituuteen.
- Kiinnitä teleskooppikahva lukitsemalla vipu (5).

Kääntyvän pensasleikkurin pään säätäminen (kuvat F-1, F-2)

- Paina painiketta (2) pensasleikkuripään (1) sivussa.
- Säädä pää haluttuun asentoon.
- Vapauta painike (2) ja varmista, että pää on lukittunut paikalleen.

4. KÄYTTÖ

Ennen käyttöä (kuva G)

Irrota terän suojus (11) ja voitele terät (4).

Kytkeminen päälle ja pois päältä

Pidä pensasleikkurista aina kiinni molemmiin käsiin. Aseta toinen käsi teleskooppikahvalle (7) ja toinen käsi takakahvalle lähellä virtakytkintä. Käytä laitetta pitämällä virtakytkintä (6) painettuna. Kun virtakytkin vapautetaan, laite pysähtyy automaattisesti.

Käytön jälkeen

Pyyhi lika ja roskat teristä (4) harjalla tai liinalla. Voitele terät, aseta teräsuojus (11) ja irrota akku (12) ennen laitteen varastointia.

5. YLLÄPITO



Sammuta laite ja irrota akku laitteesta aina ennen puhdistusta ja huoltoa.

Puhdista laitteen ulkokuoret säännöllisesti pehmeällä liinalla, mieluiten jokaisen käyttökerran jälkeen. Varmista, että tuuletusaukoissa ei ole pölyä tai likaa. Poista vaikeat tahrat käyttämällä saippuavaahtoon kostutettua pehmeää liinaa. Älä käytä liuottimia, kuten benssiiniä, alkoholia, ammoniakkaa jne. Vastaavat kemikaalit vaurioittavat synteettisiä komponentteja.

Leikkuuterä

- Käytä aina suojakäsineitä käsitellessäsi tai puhdistaessasi leikkuuterää.
- Puhdista leikkuuterä ja suihkuta siihen suojaöljyä jokaisen käytön jälkeen. Suosittelemme voitelemaan leikkuuterän suojaöljyllä säännöllisin väliajoin pitkien työjaksojen aikana.
- Tarkista leikkuuterän kunto silmämääräisesti. Tarkista, että ruuvit ovat tiukasti kiinnitetyt palkissa.

Säilyttäminen

Pensasleikkuri tulee säilyttää turvallisessa, kuivassa paikassa, poissa lasten ulottuvilta. Älä aseta muita esineitä sen päälle.

YMPÄRISTÖ

Vialliset ja/tai hävitetyt sähkö- ja elektroniset laitteet tulee viedä asianmukaisiin erilliskeräyksiin.

Vain EU-maat

Älä hävitä sähkötyökaluja kotitalousjätteen mukana. Sähkö- ja elektroniikkalaitteita koskevan direktiivin 2012/19/EY ja vastaavien kansallisten lakien mukaisesti sähkötyökalut tulee hävittää erilliskeräyksessä ja ympäristöstävällisesti niiden käyttöään päätyttyä.

TAKUU

VONROC-tuotteet on kehitetty korkeimpien laatustandardien mukaan ja ne sisältävät materiaali- ja valmistusviat kattavan takuun, joka on voimassa lain mukaan määritetyn ajan alkuperäisestä ostopäivämäärästä lähtien. Mikäli tuotteessa ilmenee materiaali- ja/tai valmistusvikoja tämän aikajakson aikana, ota yhteyttä suoraan VONROC-yhtiöön.

Tämä takuu ei kata seuraavia olosuhteita:

- Valtuuttamattomat huoltopalvelut ovat tehneet tai yrittäneet tehdä tuotteeseen korjauksia.
- Normaali kuluminen.
- Työkalua on väärinkäytetty, käytetty tai ylläpidetty virheellisesti.
- Tuotteessa on käytetty muita kuin alkuperäisiä varaosia.

Yhtiö myöntää yksinomaan tämän takuun. Muita suoria tai välillisiä takuita ei myönnetä tämän takuun lisäksi, mukaan lukien välilliset takuut koskien kaupattavuutta ja sopivuutta tiettyyn käyt-

tötarkoitukseen. VONROC ei missään tapauksessa ota vastuuta satunnaisista tai seuraamuksellisista vahingoista. Jälleenmyyjien korjaavat toimet rajoittuvat niiden yksiköiden tai osien korjaamiseen tai vaihtamiseen, jotka eivät ole vaatimustenmukaisia.

Tuotteeseen ja ohjekirjaan voidaan tehdä muutoksia. Teknisiin tietoihin voidaan tehdä muutoksia ilmoituksetta.

1. SIKKERHETSANVISNINGER

Les de medfølgende sikkerhetsadvarslene, ekstra sikkerhetsadvarsler og instruksjonene. Dersom du ikke følger alle advarsler og instruksjonene kan det føre til elektrisk støt, brann og/eller alvorlig personskade. Ta vare på sikkerhetsadvarslene og instruksjonene for fremtidig referanse.

Følgende symboler brukes i denne bruksanvisningen eller på produktet:



Les bruksanvisningen.



Angir fare for personskader, ta p av liv eller skader på verktøyet dersom instruksene i bruksanvisningen ikke følges.



Fare for elektrisk støt.



Max 45 °C

Maks temperatur 45 °C.



Ikke kast batteriet på et bål.



Ikke kast batteriet i vann.



Bruk hodebeskyttelse.



Bruk vernebriller.



Ikke utsett for regn.



Hold hendene borte fra bladet.



Vær obs på gjenstander som kastes. Hold tilskuere borte.



Hold produktet borte fra høyspentledninger!
Minimumsavstand 10 meter.



Klasse II maskin - Dobbel isolasjon -
Det er ikke behov for jordet støpselet.



T3,15A

Tidsforsinkelse miniatyr sikringskobling.



Li-Ion

Separat samling for Li-ion batteri.



Ikke avhende produktet i upassende beholdere.



Produktet er i samsvar med aktuelle sikkerhetsstandarder i EU-direktivene.

GENERELLE SIKKERHETSADVARSLER FOR ELEKTROVERKTØY



ADVARSEL! Les alle sikkerhetsadvarsler og alle instruksjer. Manglende overholdelse av advarslene og instruksjonene kan resultere i elektrisk sjokk, brann og/eller alvorlig skade.

Ta vare på alle advarsler og instruksjoner for fremtidig bruk.

Uttrykket «elektroverktøy» i advarslene gjelder for strømdrevne elektroverktøy (med ledning) og batteridrevne elektroverktøy (uten ledning).

1) Sikkerhet på arbeidsplassen

- Hold arbeidsområdet rent og godt opplyst.** Rotete eller mørke omgivelser innbyr til ulykker.
- Ikke arbeid med elektroverktøy i eksplosjonsfarlige atmosfærer, for eksempel der det er brennbare væsker, gass eller støv.** Elektrisk verktøy skaper gnister som kan antenne støv eller gasser.
- Hold barn og andre personer unna når du bruker et elektroverktøy.** Distraksjoner kan føre til at du mister kontrollen.

2) Elektrisk sikkerhet

- Støpselet på verktøyet må passe til stikkontakten. Aldri modifierer støpselet på noen måte. Ikke bruk adapterstøpsler til jodede elektriske verktøy.** Umodifiserte støpsler og stikkontakter som passer vil redusere risikoen for elektrisk sjokk.
- Unngå kroppskontakt med jodede overflater som rør, radiatorer, komfyrer og kjøleskap.** Det er økt risiko for elektrisk støt dersom kroppen din er jodedet.
- Ikke utsett elektroverktøy for regn eller fuktighet.** Dersom det kommer vann inn i et elektrisk verktøy vil det øke risikoen for elektrisk støt.
- Unngå uforvarslig behandling av ledningen. Aldri bruk ledningen til å bære, trekke eller dra ut støpselet til det elektriske verktøyet. Hold ledningen borte fra varme, olje, skarpe kanter**

- eller bevegelige deler. Skadede eller innviklede ledninger øker risikoen for elektrisk sjokk.
- e) **Når du bruker et elektroverktøy utendørs, må du bruke en skjøteledning som er egnet til utendørs bruk.** Bruk av en skjøteledning beregnet for utendørs bruk reduserer risikoen for elektrisk støt.
- f) **Hvis du ikke kan unngå å bruke elektroverktøy på et fuktig sted, må du bruke en strømforsyning som er beskyttet med jordfeilbryter (RCD).** Bruk av jordfeilbryter (RCD) reduserer risikoen for elektrisk støt.
- 3) Personlig sikkerhet**
- a) **Vær oppmerksom, pass på hva du gjør, og vis fornuft når du arbeider med et elektroverktøy. Ikke bruk et elektrisk verktøy dersom du er trøtt eller er påvirket av medikamenter, narkotika eller alkohol.** Ett øyeblikks uoppmerksomhet under bruk av elektriske verktøy kan føre til alvorlig personskade.
- b) **Bruk personlig verneutstyr. Bruk alltid vernebriller.** Verneutstyr slik som støvmaske, sklisikre vernesko, hjelm, eller hørselsvern brukt under passende forhold vil redusere personskader.
- c) **Forhindre utilsiktet start. Kontroller at bryteren står i posisjon «av» før du kobler til strømkilden og/eller batteripakken, og før du tar opp eller bærer verktøyet.** Å bære elektriske verktøy med fingeren på bryteren eller å sette inn støpselet mens elektriske verktøy har bryteren på øker faren for ulykker.
- d) **Fjern eventuelt innstillingsverktøy eller skruverktøy før du slår på elektroverktøyet.** Et skruverktøy eller en nøkkel som fortsatt er festet til en roterende del av elektroverktøyet, kan føre til personskade.
- e) **Ikke strekk deg for langt. Ha godt fotfeste og stå støtt hele tiden.** Dette fører til at du har bedre kontroll over det elektriske verktøyet ved uventede situasjoner.
- f) **Bruk egnede klær. Ikke ha på deg løstsittende klær eller smykker. Hold hår, antrekk og hanske borte fra bevegelige deler.** Løstsittende klær, smykker og langt hår kan bli fanget opp av bevegelige deler.
- g) **Hvis det kan monteres støvavsug- og oppsamlingsinnretninger, må du forvise deg om at disse er tilkoblet og brukes på riktig måte.** Bruk av støvoppsamlere kan redusere støvrelaterte farer.
- h) **Ikke la erfaring og kjennskap som skyldes hyppig bruk av verktøy føre til at du blir skjodesløs og ignorerer sikkerhetsreglene.** En tankeløs handling kan føre til alvorlig personskade på brøkdelen av et sekund.
- 4) Bruk og stell av elektriske verktøy**
- a) **Ikke bruk makt på elektroverktøyet. Bruk det elektriske verktøyet som situasjonen krever.** Det riktige elektriske verktøyet vil gjøre jobben bedre og tryggere ved den hastigheten det ble konstruert for.
- b) **Ikke bruk elektroverktøyet hvis du ikke kan slå det på og av med bryteren.** Ethvert elektrisk verktøy som ikke kan kontrolleres med bryteren er farlig og må repareres.
- c) **Trekk støpselet ut av stikkkontakten og/eller koble fra batteripakken på elektroverktøyet før du utfører innstillinger, bytter tilbehør eller legger elektroverktøyet bort for lagring.** Slike preventive sikkerhetsforanstaltninger reduserer risikoen for å starte det elektriske verktøyet ved et uhell.
- d) **Elektroverktøy som ikke er i bruk, må oppbevares utilgjengelig for barn. Ikke la verktøyet bli brukt av personer som ikke er fortrolige med det, eller som ikke kjenner disse instruksjonene.** Elektriske verktøy er farlige i hendene på utrenede brukere.
- e) **Vedlikehold elektroverktøyene. Sjekk om bevegelige deler er feiljustert eller blokkert, om deler er skadet, og om det er andre forhold som kan påvirke elektroverktøyet funksjon. Dersom det er skadet, få verktøyet reparert før neste bruk.** Mange ulykker forårsakes av dårlig vedlikeholdte verktøy.
- f) **Hold skjæreverktøy skarpe og rene.** Godt vedlikeholdte skjæreverktøy med skarpe skjærekanter setter seg mindre sannsynlig fast og er lettere å kontrollere.
- g) **Bruk elektroverktøy, tilbehør, bor osv. i henhold til disse instruksjonene. Ta hensyn til arbeidsforholdene og arbeidet som skal utføres.** Bruk av det elektriske verktøyet for oppgaver som er forskjellige fra de som er tiltenkt kan føre til en farlig situasjon.
- h) **Hold håndtak og gripeflater tørre, rene og fri for olje og fett.** Glatte håndtak og gripeflater gir utrygg håndtering og dårlig kontroll over verktøyet i uventede situasjoner.

5) Bruk og stell av batteriverktøy

- a) **Ladningen skal bare skje med den laderen som produsenten har spesifisert.** En lader som passer for en type batteripakke kan føre til fare ved bruk for andre typer batteripakker.
- b) **Bruk elektroverktøy bare sammen med spesifikt angitte batteripakker.** Bruk av andre batteripakker kan føre til risiko for personskade og brann.
- c) **Når batteripakken ikke er i bruk, må du oppbevare den atskilt fra andre metallgjenstander som binders, mynter, nøkler, spiker, skruer eller andre små metallgjenstander som kan opprette en forbindelse fra en terminal til en annen.** Kortslutning av batteripolene mot hverandre kan føre til brannskader eller brann.
- d) **Ved feilaktig bruk kan det komme væske ut av batteriet, unngå kontakt med den. Ved utilsiktet kontakt, skyll med vann. Dersom du får væske i øynene, søk legehjelp.** Væske som kommer ut av batteriet kan føre til irritasjon eller brannskader.
- e) **Bruk ikke en batteripakke eller et verktøy som er skadet eller modifisert.** Skadede eller modifiserte batteripakker kan ha uforutsigbar oppførsel som fører til brann, eksplosjon eller fare for personskader.
- f) **Ikke utsett batteripakken eller verktøyet for ild eller høy temperatur.** Eksponering for temperaturer over 130 °C kan føre til eksplosjon. MERK Temperaturen "130 °C" tilsvarer temperaturen "265 °F".
- g) **Følg alle anvisningene om lading og ikke lad batteripakken eller verktøyet utenfor temperaturområdet som er angitt i bruksanvisningen.** Feilaktig eller lading ved temperaturer utenfor et angitte området kan skade batteriet og øker faren for brann.

6) Service

- a) **Elektroverktøyet skal repareres av kvalifisert personell og bare med originale reservedeler.** Dette vil sikre at verktøyets sikkerhet blir ivare tatt.
- b) **Utfør aldri service på skadede batteripakker.** Service på batteripakker skal kun utføres av produsenten eller autoriserte serviceverksteder.

SIKKERHETSADVARSLER FOR HEKKSAKS

- a) **Hold alle kroppsdeler borte fra bladet. Ikke fjern oppkuttet materiale eller hold materialet**

som skal kuttes når knivene er i bevegelse.

- Bladene fortsetter å bevege seg etter at bryteren er slått av. Et øyeblikks uoppmerksomhet mens du bruker hekksaksen kan føre til alvorlig personskade.
- b) **Bær hekksaksen i håndtaket med bladet stoppet og sørg for at du ikke rører noen strømbrytere.** Korrekt bæring av hekksaksen vil redusere risikoen for utilsiktet start og resulterende personskade fra knivene.
- c) **Ved transporterung eller lagring av hekksaksen, monter alltid knivdekslet.** Korrekt håndtering av hekksaksen vil redusere risikoen for personskade fra knivene.
- d) **Når du fjerner materiale eller utfører service på hekksaksen, sørg for at alle strømbrytere er slått av og at batteripakken er fjernet eller koblet fra.** Uventet aktivering av hekksaksen under fjerning av materiale eller service kan føre til alvorlig personskade.
- e) **Hold hekksaksen kun i de isolerte gripeflatene. Dette fordi bladet kan komme i kontakt med skjulte ledninger.** Blader som kommer i kontakt med en tilkoblet ledning kan gjøre eksponerte metalldele på hekksaksen «levende» og kan gi operatøren et elektrisk støt.
- f) **Hold alle strømledninger og kabler borte fra skjæreamrådet.** Strømledninger eller kabler kan ligge skjult i hekker eller busker og kan kuttes av bladet ved et uhell.
- g) **Hekksaksen skal ikke brukes under dårlige værforhold, spesielt når det er fare for lyn.** Dette reduserer risikoen for å bli truffet av lynet.

SIKKERHETSADVARSLER FOR HEKKSAKS MED UTVIDET REKKEVIDDE

- a) **For å redusere risikoen for elektrisk støt, bruk aldri hekksaksen med utvidet rekkevidde i nærheten av elektriske strømledninger.** Kontakt med eller bruk ved kraftledninger kan forårsake alvorlige skader eller elektrisk støt som kan føre til død.
- b) **Bruk alltid begge hender når du betjener hekksaksen med utvidet rekkevidde.** Hold hekksaksen med utvidet rekkevidde med begge hender for å unngå å miste kontrollen.
- c) **Bruk alltid hodebeskyttelse når du beveger den utvidede hekksaksen over hodet.** Fallende rester kan føre til alvorlig personskade.

YTTERLIGERE SIKKERHETSADVARSLER

- a) **Dette verktøyet skal ikke brukes av personer (inkludert barn) med reduserte fysiske, sensoriske eller mentale evner, eller mangel på erfaring og kunnskap**, med mindre de har fått innføring eller instruksjoner om bruk av apparatet av en person som er ansvarlig for deres sikkerhet. Barn skal ha tilsyn for å sørge for at de ikke leker med apparatet.
- b) **Hold alltid maskinen godt med begge hender under arbeidet, og sørg for en sikker stilling.** Elektroverktøyet styres sikrere med begge hender.
- c) **Sørg alltid for at alle håndtak og vern er montert når du bruker maskinen.** Forsøk aldri å ta i bruk en ufullstendig maskin eller en som er utstyrt med en uautorisert modifikasjon.
- d) **Smør alltid skjærebladet med beskyttelsespray før bruk.**
- e) **Vent alltid til maskinen har stoppet fullstendig før du legger den ned.**
- f) **Andre personer og dyr bør holde seg på en avstand på minimum tre meter når maskinen er i bruk.** Operatøren er ansvarlig for tredjepersoner i arbeidsområdet.
- g) **Ta aldri tak i bladet på hekksaksen.**
- h) **Barn eller personer som ikke er kjent med disse instruksene må ikke bruke hekksaksen.** Lokale forskrifter kan begrense alderen til operatøren.
- i) **Klipp aldri en hekk når mennesker, spesielt barn eller kjæledyr, er i nærheten.**
- j) **Brukeren er ansvarlig for ulykker eller farer som oppstår for andre personer eller eiendommen deres.**
- k) **Ikke bruk hekksaksen når du går barbeint eller i åpne sandaler, bruk alltid et solid fottøy og lange bukser.** Bruk av solide hansker, sklisliske sko og vernebriller anbefales. Ikke bruk løse klær eller smykker som kan sette seg fast i bevegelige deler.
- l) **Inspiser området der hekksaksen skal brukes grundig og fjern alle ledninger og andre fremmedlegemer.**
- m) **Kontroller knivbladene, knivboltene og knivmontasjen for slitasje eller skade før bruk.** Ikke bruk med en skadet eller svært slitt skjæreenhet.
- n) **Vet hvordan du stopper hekksaksen hurtig i en nødsituasjon.**
- o) **Klipp hekken bare i dagslys eller i et godt kunstig lys.**

- p) **Bruk aldri hekksaksen med defekte vern eller uten at vernet er på plass.**
- q) **Aldri hold hekksaksen i vernet.**
- r) **Når du bruker hekksaksen, må du sørge for å stå skikkelig og balansert til enhver tid.**
- s) **Vær alltid oppmerksom på omgivelsene dine og vær på vakt mot mulige farer som du kanskje ikke hører når du bruker hekksaksen.**
- t) **Hold alle muttere, bolter og skruer stramme for å sikre at hekksaksen alltid står i en trygg arbeidstilstand.**
- u) **Hekksaksen bør oppbevares på et tørt, elevvert, eller innelåst sted som er utilgjengelig for barn.**
- v) **Bytt for sikkerhets skyld ut slitte eller skadde deler.**
- w) **Ikke utfør reparasjoner på maskinen med mindre du er kvalifisert til å gjøre det.**
- x) **Hold produktet sikkert med å bruke begge hender.**

SIKKERHETSADVARSLER FOR BATTERI

- a) **Ikke åpne batteriet.** Fare for kortslutning.
- b) **Beskytt batteriet mot varme, som f. eks. kontinuerlig kraftig solskinn, ild, vann og fuktighet.** Fare for eksplosjon.
- c) **Ved skade på eller feilaktig bruk av batteriet, kan det avgi damp.** Ventilér området og få legehjelp dersom du merker ubehag. Dampen kan irritere åndedrettsystemet.
- d) **Bruk kun batteriet sammen med ditt Vonroc-produkt.** Kun da er du sikret mot at batteriet overbelastes.
- e) **Batteriet kan ta skade av skarpe objekter som spikere eller skrutrekkere eller av ekstern kraft.** En intern kortslutning kan oppstå og batteriet kan ta fyr, utvikle røyk, eksplodere eller bli overopphetet.

SIKKERHETSANVISNINGER FOR LADEREN**Tiltent bruk**

Lad kun oppladbare batteripakker av typen CD801AA og CD803AA med laderen. Andre typer batterier kan sprekke og forårsake personskaade og skade.

- a) **Apparatet skal ikke bli brukt av personer (inkludert barn) med reduserte fysiske, sensoriske eller mentale evner, eller mangel på erfaring og kunnskap, med mindre de har fått tilsyn eller instruksjon.**
- b) **Barn som er under tilsyn skal ikke å leke med apparatet.**

- c) Ikke lad opp ikke-oppladbare batterier!
- d) Under lading skal batterier plasseres i et område som er godt ventilert!

Elektrisk sikkerhet



Kontroller alltid at nettspenningen på strømforsyningen er i overensstemmelse med spenningen på typeskiltet.

- Ikke bruk maskinen dersom strømkabelen eller støpselet er skadet.
- Bruk kun skjøteledninger som passer med effekten på maskinen, med minimum tverrsnitt på 1,5 mm². Dersom du bruker skjøteledning på en trommel, rull alltid kabelen helt ut.

2. MASKININFORMASJON

Tiltenkt bruk

Maskinen er beregnet for hjemmebruk, for klipping og trimming av hekker og busker i evert høyde, mens brukeren står nede på bakken. Maskinen er ikke ment å bli brukt på en stige eller trapp. Maskinen er ikke laget for å klippe gress og kan ikke brukes som en gresstrimmer. Dette verktøyet er ikke beregnet for kommersiell eller industriell bruk.

TEKNISKE SPESIFIKASJONER



Denne manualen er laget for ulike sett / artikkelnummer. For det korrekte sammenstilling og innhold i settet ditt, kontroller det tilsvarende artikkelnummeret i spesifikasjonstabellen nedenfor.

Modellnr.	Batterier inkludert	Ladere inkludert
HT503DC	-	-
S_ HT503DC	CD801AA	CD802AA
S2_ HT503DC	2 x CD801AA	CD802AA
S3_ HT503DC	CD803AA	CD802AA

Maskininformasjon	
Spenning	20V
Slagfrekvens uten belastning	1200/min
Bladlengde	36 cm
Tannåpning	23 mm
Lengdejustering	200-260 cm

Lydtrykknivå (LpA)	77,9 dB, k = 3 dB
Lydeffektnivå (LWA)	87,8 dB, k = 3 dB
Garantert LWA	91 dB
Vibrasjon	fronthåndtak ah = 2,55 m/s ² bakhåndtak ah = 2,48 m/s ² K = 1,5 m/s ²
Vekt	2,3 kg

Modellnr.	CD801AA
Batteritype	Litium-ion
Spenning	20V
Kapasitet	2,0 Ah
Anbefalt lader	CD802AA
Vekt	0,3 kg

Modellnr.	CD802AA
Ladertilførsel	220-240 V, 50 Hz 0,4 A
Ladereffekt	21 V 2,5A
Ladetid 2Ah batteri	60 minutter
Ladetid 4Ah batteri	120 minutter
Anbefalte batterier	CD801AA, CD803AA
Vekt	0,36 kg

Modellnr.	CD803AA
Batteritype	Litium-ion
Spenning	20V
Kapasitet	4,0 Ah
Anbefalt lader	CD802AA
Vekt	0,65 kg

Bruk kun de følgende batterier til VONROC VPOWER 20V batteriplattformen. Bruk av andre batterier kan føre til alvorlig personskade eller skader på verktøyet.

- CD801AA 20V, 2Ah Lithium-Ion
- CD803AA 20V, 4Ah Lithium-Ion

Følgende lader kan brukes for å lade opp disse batteriene.

- CD802AA Hurtiglader

Batteriene basert på VONROC VPOWER 20V-batteriplattform er utbyttbare med alle batterier for VONROC VPOWER 20V batteriverkøyer.

BESKRIVELSE

Tallene i teksten henviser til diagrammene på side 2-5.

1. Hekksakshode
2. Justeringsknapp for hodet
3. Låsering for hodet
4. Hekksaksblad
5. Låsespak for håndtak
6. Av/På bryter
7. Teleskophåndtak
8. Strømkontakt
9. Skulderstropp
10. Karabinkrok
11. Beskyttelseshylse
12. Batteri
13. Batterilader
14. Batteriopplåsningsknapp
15. Batteri LED-indikatorknapp
16. Batteri LED-indikator
17. Lader LED-indikator

3. MONTERING



Før noe slags arbeid (vedlikehold, verktøybytte, montering) på elektroverktøyet, fjern batteriet fra elektroverktøyet.



Batteriet må lades før brukt for første gang.

Sett batteriet inn i maskinen (Fig. B-1)

Sørg for at utsiden av batteriet er rent og tørt før du tilkobler laderen eller maskinen.

1. Sett inn batteriet (12) inn i basen av maskinen, som vist i Fig. B-1.
2. Skyv batteriet lenger frem til det klikker på plass.

Å fjerne batteriet fra maskinen (Fig. B-1)

1. Trykk på batteriopplåsningsknappen (14).
2. Dra batteriet ut av maskinen som vist i Fig. B-1.

Kontroller batteriets ladestatus (Fig. B-2)

- For å kontrollere batteriets ladestatus, trykk hurtig på knappen (15) på batteriet.

- Batteriet har tre lamper som indikerer ladevået, jo flere lamper som lyser, jo mer ladning har batteriet igjen.
- Når lampene ikke lyser, betyr dette at batteriet er tomt og umiddelbart må lades.

Lading av batteriet ved å bruke laderen (Fig. B-2)

1. Ta batteriet (12) ut av maskinen.
2. Snu batteriet (12) opp-ned og skyv det oppå laderen (13) som vist i Fig. B-2.
3. Skyv batteriet til det er fullstendig skjøvet inn i sporet.
4. Koble ladepluggen til en stikkontakt og vent en stund. LED-indikatorene på laderen (17) vil lyse opp og vise laderens status

Laderen har to LED-indikatorer (17) som angir status for ladeprosessen:

Rød LED-status	Grønn LED-status	Laderstatus
Av	Av	Ingen strøm
Av	På	Standby-modus: - Ingen batteri satt inn eller, - Batteri satt inn, men ladingen er ferdig
På	Av	Batterilading pågår

- Fulllading av 2Ah-batteriet kan ta opptil 60 minutter.
- Fulllading av 4Ah-batteriet kan ta opptil 120 minutter.

Etter at batteriet er fulladet, fjern laderpluggen fra stikkkontakten og fjern batteriet fra laderen.



Når maskinen ikke skal brukes over lengre tid, er det best å oppbevare batteriet i ladet tilstand.

Verktøymontering (fig. C, D)

- Fest skulderstroppen (9) til løkken på håndtaket (7) med karabinkroken (10).
- Løsne låseringen for hodet (3) ved å dreie den mot klokken. Ikke fjern ringen helt fra hodet.
- Monter hekksakshodet (1) på teleskophåndtaket (7) ved å sette strømkontakten (8) inn i hodet.
- Hvis kontakten (8) ikke er satt skikkelig inn, kan det hende at det ikke er noen elektrisk tilkob-

ling, og verktøyet vil ikke fungere. Pass på at strømkontakten er satt skikkelig inn i hekksakshodet. Skruen (18) på håndtaket skal dekkes av trimmerhodet (1) og låseringen (3).

- Lukk hekksakshodet (1) ved å rotere låseringen (3) med klokken



Fest aldri beltet diagonalt over skulderen og brystet, men plasser det på en av skuldrene. På denne måten kan du i tilfelle fare fjerne verktøyet raskt fra kroppen.

Justering av teleskophøyden (fig. E-1, E-2)

- Lås opp spaken (5) for å løsne teleskophåndtaket (7).
- Dra ut eller trekk inn teleskophåndtaket (7) til den ønskede lengden.
- Sikre teleskophåndtaket ved å låse spaken (5).

Justering av det svingbare hekksakshodet (Fig. F-1, F-2)

- Trykk på knappen (2) på siden av hekksakshodet (1).
- Juster hodet til den ønskede posisjonen.
- Slipp knappen (2) og sørg for at hodet er låst på plass.

4. DRIFT

Før bruk (fig. G)

Fjern bladvernet (11) og smør bladene (4).

Å slå av og på

Hold alltid hekksaksen med begge hender. Plasser én hånd på teleskophåndtaket (7) og én hånd på det bakre håndtaket nær strømbryteren. Trykk og hold inne strømbryteren (6) for å betjene maskinen. Når du slipper strømbryteren, vil maskinen automatisk stoppe.

Etter bruk

Tørk av skitt og rusk fra knivene (4) ved å bruke en børste eller klut. Smør knivene, plasser knivbeskyttelsen (11) og fjern batteriet (12) før du oppbevarer maskinen.

5. VEDLIKEHOLD



Før rengjøring og vedlikehold, slå alltid av maskinen og fjern batteripakken fra maskinen.

Rengjør batterihuset regelmessig, helst etter hver bruk, med en myk klut. Sørg for at ventilasjonsåpningene er fri for støv og skitt. Fjern svært vedvarende smuss med en myk klut fuktet med såpeskum. Ikke bruk løsemidler som f.eks bensin, alkohol, ammoniakk osv. Kjemikalier som disse vil skade de syntetiske komponentene.

Skjæreblad

- Alltid bruk hansker når du håndterer eller rengjør skjærebladet.
- Rengjør skjærebladet og spray på en beskyttende olje etter hver gang. Vi anbefaler smøring av skjærebladet med beskyttelsesolje med jevne mellomrom under lange arbeidsperioder.
- Ta en visuell inspeksjon av tilstanden til skjærebladet. Kontroller om skruene sitter godt fast i knivbjelken.

Lagring

Hekksaksen bør oppbevares på et tørt, elevvert, eller innelåst sted som er utlgjengelig for barn. Ikke sett andre gjenstander oppå den.

MILJØ



Defekte og/eller kasserte elektriske eller elektroniske apparater må leveres på passende gjenbruksstasjon.

Kun for EU/EØS land

Ikke kast elektriske verktøy i husholdingsavfallet. I henhold til EC-direktiv 2012/19/EU for elektronisk og elektrisk avfall (WEEE-direktivet) som inntatt i norsk lov, må elektroverktøy som ikke lenger er brukbare samles inn separat og avhendes på en miljøvennlig måte.

GARANTI

VONROC-produkter er utviklet i henhold til de høyeste kvalitetsstandarder og er garantert fri for defekter i både materialer og utførelse i den forskriftsmessige perioden fra og med den opprinnelige kjøpsdatoen. Dersom produktet viser feil i løpet av denne perioden som skyldes defekter i materialer og/eller utførelse, kontakt VONROC direkte.

Følgende omstendigheter er ekskludert fra denne garantien:

- Reparasjoner og/eller endringer som er foretatt eller forsøkt utført på apparatet ved et uautorisert servicesenter.
- Normal bruk og slitasje.
- Verktøyet er mishandlet, misbrukt eller feilaktig vedlikeholdt.
- Det er brukt uoriginale reservedeler.

Dette er den eneste garantien som firmaet gir, enten uttrykt eller underforstått. Det finnes ingen andre uttrykte eller underforståtte garantier som rekker utover de viste her, inkludert underforståtte garantier for salgbarhet eller egnethet for bestemte formål. Under ingen omstendigheter kan VONROC holdes ansvarlig for tilfeldige skader eller følgeskader. Forhandlerens virkemidler er begrenset til reparasjon eller skifte av ukomforme moduler eller deler.

Produktet og bruksanvisningen har forbehold om endringer. Spesifikasjonene kan endres uten forvarsel.

1. SIKKERHEDSANVISNINGER

Læs de vedlagte sikkerhedsadvarsler, de yderligere sikkerhedsadvarsler og vejledningen. Hvis sikkerhedsadvarslene og vejledningen ikke følges, kan det resultere i elektrisk stød, brand og/eller alvorlige personskader. Gem sikkerhedsadvarslene og vejledningen til fremtidig brug.

Følgende symboler anvendes i brugervejledningen eller på produktet:



Læs brugervejledningen.



Angiver risiko for personskade, dødsfald eller beskadigelse af værktøjet i tilfælde af manglende overholdelse af anvisningerne i denne vejledning.



Risiko for elektrisk stød.



Maks. temperatur 45°C.



Kast ikke batteriet ind i åben ild.



Kast ikke batteriet ned i vand.



Bær hovedværn.



Bær sikkerhedsbriller.



Udsæt ikke for regn.



Hold hænderne væk fra klinger.



Pas på kastede genstande. Hold tilskuere væk.



Hold produktet væk fra højspændingsledninger! Afstand på mindst 10 meter.



Klasse II maskine - Dobbelt isolering - Du har ikke brug for et jordforbundet stik.



Tidsforskuet miniature sikringsindsats.



Separat aflevering af Li-ion batteri.



Bortskaf ikke produktet i uegnede beholdere.



Produktet er i overensstemmelse med de gældende sikkerhedsstandarder i EU-direktiverne.

GENERELLE SIKKERHEDSADVARSLER FOR ELVÆRKTØJ



ADVARSEL! Læs alle sikkerhedsadvarsler og alle anvisninger. Hvis advarslerne og vejledningen ikke følges, kan det resultere i elektrisk stød, brand og/eller alvorlige personskader.

Gem alle advarsler og instruktioner til fremtidig brug.

Udtrykket "el-værktøj" i advarslerne refererer til dit el-værktøj (med ledning) eller dit batteridrevet (ledningsfri) el-værktøj.

1) Sikkerhed på arbejdsområdet

- Hold arbejdsområdet rent og godt oplyst.** Der er risiko for ulykker på rodede eller mørke områder.
- Brug ikke el-værktøj i eksplosive atmosfærer, f.eks. i nærheden af brandfarlige væsker, gasser eller støv.** El-værktøj danner gnister, der kan antænde støv eller dampe.
- Hold børn og tilskuere væk, mens du bruger et el-værktøj.** Distractioner kan få dig til at miste kontrollen.

2) El-sikkerhed

- Stik på el-værktøj skal passe til stikkontakten. Stikket må aldrig modificeres på nogen måde. Brug ikke adapterstik med jordforbundne (jordede) el-værktøj.** Umodificerede stik og tilsvarende stikkontakter reducerer risikoen for elektrisk stød.
- Undgå kropskontakt med jordede overflader, såsom rør, radiatorer, områder og køleskabe.** Der er en øget risiko for elektrisk stød, hvis din krop er jordnet.
- El-værktøjer må ikke udsættes for regn eller våde omgivelser.** Vand, der trænger ind i et el-værktøj, vil øge risikoen for elektrisk stød.
- Misbrug ikke ledningen. Brug ikke ledningen til at bære, trække eller frakoble el-værktøjet. Hold ledningen væk fra varme, olie, skarpe kanter eller dele i bevægelse.** Beskadigede

eller sammenfildrede ledninger øger risikoen for elektrisk stød.

- Når du betjener et el-værktøj udendørs, skal du bruge en forlængerledning, der er velegnet til udendørs brug.** Brug af en ledning, der er velegnet til udendørs brug, reducerer risikoen for elektrisk stød.
 - Hvis det ikke kan undgås at bruge et maskinværktøj i et fugtigt miljø, bør du anvende en forsyning, der er beskyttet af en fejlstrømsafbryder (RCD).** Brugen af en RCD reducerer risikoen for elektrisk stød.
- ### 3) Personlig sikkerhed
- Vær opmærksom, se hvad du laver, og brug din sunde fornuft, når du bruger et el-værktøj. Brug ikke et el-værktøj, når du er træt eller påvirket af stoffer, alkohol eller medicin.** Et øjeblik uopmærksomhed under brug af el-værktøj kan resultere i alvorlig personskade.
 - Brug personligt sikkerhedsudstyr. Bær altid øjenværn.** Beskyttelsesudstyr såsom støvmaske, skridsikre sikkerhedssko, hjelm eller høreværn, der bruges til passende forhold, reducerer personskader.
 - Undgå utilsigtet start. Sørg for, at kontakten er slukket, før du tilslutter strømkilden og/eller batteripakken, tager maskinen op eller bærer værktøjet.** Hvis el-værktøj bæres med fingeren på kontakten, eller når el-værktøj strømføres med tændt kontakt, kan der nemt ske ulykker.
 - Fjern en eventuel justeringsnøgle eller skrue-nøgle, inden du tænder for el-værktøjet.** En skrue-nøgle eller en justeringsnøgle, der er fastgjort til en roterende del af el-værktøjet, kan resultere i personskade.
 - Ræk dig ikke for langt. Hold altid et korrekt fodfæste og balancen.** Dette giver bedre kontrol over el-værktøjet i uventede situationer.
 - Klæd dig korrekt. Bær ikke løst tøj eller smykker.** Hold dit hår, tøj og handsker væk fra bevægelige dele. Løst tøj, smykker eller langt hår kan sætte sig fast i bevægelige dele.
 - Hvis der leveres enheder til tilslutning af støvudsugnings- og opsamlingsfaciliteter, skal du sikre, at disse er tilsluttet og bliver brugt korrekt.** Brug af støvopsamling kan reducere støvrelaterede farer.
 - Lad ikke kendskab opnået gennem hyppig brug af værktøj lade dig blive tilbagelænet og ignorere værktøjsikkerhedsprincipper.** En skødesløs

handling kan forårsage alvorlig personskade inden for en brøkdæl af et sekund.

4) Brug og pleje af el-værktøj

- a) **Tving ikke el-værktøjet. Brug det korrekte el-værktøj til din opgave.** Det korrekte el-værktøj vil gøre et bedre stykke arbejde og vil være mere sikkert ved den hastighed, det var beregnet til.
 - b) **Brug ikke el-værktøjet, hvis kontakten ikke tænder og slukker.** Ethvert el-værktøj, der ikke kan styres med kontakten, er farligt og skal repareres.
 - c) **Tag stikket ud af strømkilden og/eller fjern batteripakken fra el-værktøjet, før du foretager justeringer, skifter tilbehør eller opbevarer el-værktøj.** Disse forebyggende sikkerhedsforanstaltninger reducerer risikoen for at tænde el-værktøjet ved et uheld.
 - d) **Opbevar inaktivt el-værktøj uden for børns rækkevidde, og lad ikke personer, der ikke har kendskab til el-værktøjet eller disse instruktioner, betjene værktøjet.** El-værktøjer er farlige i hænderne på utrænede brugere.
 - e) **Vedligehold el-værktøjer. Se efter forkert justering eller binding af bevægelige dele, ødelagte dele og enhver anden tilstand, der kan påvirke el-værktøjets drift. Hvis det er beskadiget, bør du få el-værktøjet repareret før brug.** Mange ulykker forårsages af dårligt vedligeholdt el-værktøj.
 - f) **Hold skæreværktøj skarpt og rent.** Korrekt vedligeholdte skæreværktøjer med skarpe skærekanten har mindre tilbøjelighed til at binde og er lettere at styre.
 - g) **Brug el-værktøj, tilbehør og værktøjsbor osv. i overensstemmelse med disse instruktioner under hensyntagen til arbejdsforholdene og det arbejde, der skal udføres.** Brug af el-værktøjet til andet arbejde end det tilsigtede kan resultere i en farlig situation.
 - h) **Hold håndtag og gribeflader tørre, rene og fri fra olie og fedtstof.** Glatte håndtag og gribeflader giver ikke mulighed for sikker håndtering og kontrol af værktøjet i uventede situationer.
- 5) **Brug og pleje af værktøjsbatteri**
- a) **Brug kun den oplader, der er specificeret af producenten, til opladning.** En oplader, der er egnet til én type batteripakke, kan forårsage ri-

siko for brand, når den anvendes med en anden batteripakke.

- b) **Brug kun el-værktøj med specifikt udformede batteripakker.** Brug af andre batteripakker kan resultere i risiko for personskader og brand.
- c) **Når batteripakken ikke er i brug, skal den holdes væk fra andre metalgenstande, som f.eks. papirclips, mønter, nøgler, søm, skruer eller andre små metalgenstande, der kan skabe en forbindelse fra den ene terminal til den anden.** Hvis batteriterminalerne kortsluttes, kan det forårsage forbrændinger eller en brand.
- d) **Ved forkert anvendelse kan der slippe væske ud af batteriet; undgå kontakt. Skyl med vand, hvis der skulle opstå kontakt ved et uheld. Søg derudover lægehjælp, hvis der kommer væske ind i øjnene.** Væske fra batteriet kan forårsage irritation eller forbrændinger.
- e) **Brug ikke en batteripakke eller et værktøj, der er beskadiget eller modificeret.** Beskadigede eller modificerede batterier kan udvise uforudsigelig adfærd, hvilket resulterer i brand, eksplosion eller risiko for personskade.
- f) **Undlad at udsætte en batteripakke eller et værktøj for åben ild eller for høj temperatur.** Udsættelse for åben ild eller temperatur over 130 °C kan forårsage eksplosion. BEMÆRK Temperaturen „130 °C“ kan erstattes af temperaturen „265 °F“.
- g) **Følg alle opladningsinstruktioner, og oplad ikke batteripakken eller værktøjet uden for temperaturintervallet specificeret i instruktionerne.** Forkert opladning eller opladning ved temperaturer uden for det specificerede interval kan beskadige batteriet og øge risikoen for brand.

6) Service

- a) **Lad dit el-værktøj blive servicert af en kvalificeret reparatør, der kun bruger identiske reservedele.** Dette sikrer, at maskinværktøjet fortsat er sikkert at bruge.
- b) **Foretag aldrig service på beskadigede batteripakker.** Service af batteripakker bør kun udføres af producenten eller autoriserede serviceudbydere.

SIKKERHEDSADVARSLER FOR HÆKKEKLIPPER

- a) **Hold alle legemsdele væk fra klingens. Undlad at fjerne afskåret materiale eller at holde materialet, der skal skæres, mens klingerne be-**

væger sig. Klingerne bliver ved med at bevæge sig, efter kontakten er blevet slukket. Et øjeblik uopmærksomhed under brug af hækkeklipperen kan resultere i alvorlig personskade.

- b) **Bær hækkeklipperen i hånden med klingen stoppet, og pas på ikke at trykke på nogen strømkontakt.** Når hækkeklipperen bæres korrekt, reduceres risikoen for utilsigtet start og deraf følgende personskade fra klingerne.
- c) **Ved transport eller opbevaring af hækkeklipperen skal klingedækslet altid monteres.** Når hækkeklipperen håndteres korrekt, reduceres risikoen for personskade fra klingerne.
- d) **Når du fjerner fastklemt materiale eller foretager service på enheden, skal du sørge for, at alle strømkontakter er slukket, og at batteripakken er fjernet eller frakoblet.** En uventet aktivering af hækkeklipperen under fjernelse af fastklemt materiale eller service kan forårsage alvorlig personskade.
- e) **Hold kun fast rundt om hækkeklipperen på de isolerede gribeflader, da klingens muligvis kan komme i kontakt med skjulte ledninger.** Hvis klinger kommer i kontakt med en strømført ledning, kan det gøre hækkeklipperens eksponerede metaldele strømførte og dermed give operatøren stød.
- f) **Hold alle elledninger og kabler væk fra skæremrådet.** Elledninger eller kabler kan være skjult i hække eller buske og kan ved et uheld blive skåret over af klingens.
- g) **Brug ikke hækkeklipperen i vejrforhold, især når der er risiko for lyn.** Dette mindsker risikoen for at blive ramt af lynet.

SIKKERHEDSADVARSLER FOR HÆKKEKLIPPER MED UDVIDET RÆKKEVIDDE

- a) **For at reducere risikoen for elektrisk stød må du aldrig bruge hækkeklipperen med udvidet rækkevidde i nærheden af elektriske ledninger.** Kontakt med eller brug i nærheden af elledninger kan forårsage alvorlig personskade eller elektrisk stød med døden til følge.
- b) **Brug altid to hænder, når du betjener hækkeklipperen med udvidet rækkevidde.** Hold hækkeklipperen med udvidet rækkevidde med begge hænder for at undgå tab af kontrol.
- c) **Brug altid hovedbeskyttelse, når du bruger hækkeklipperen med udvidet rækkevidde over hovedet.** Rester, der falder ned, kan forårsage alvorlig personskade.

YDERLIGERE SIKKERHEDSADVARSLER

- a) **Dette værktøj er ikke beregnet til at blive anvendt af personer (herunder børn) med reducerede fysiske, sansemæssige eller mentale evner samt med manglende erfaring eller viden,** med mindre de bliver overvåget eller instrueret i brugen af apparatet af en person, der er ansvarlig for deres sikkerhed. Børn bør overvåges for at sikre, at de ikke leger med apparatet.
- b) **Når du arbejder med maskinen, skal du altid holde den fast med begge hænder og sørge for et sikkert fodfæste.** El-værktøjet styres mere sikkert med begge hænder.
- c) **Sørg altid for, at alle håndtag og skærme er monteret, når du bruger maskinen.** Forsøg aldrig at bruge en ufuldstændig maskine eller en maskine, der har fået en uautoriseret ændring.
- d) **Smør altid skæreklingen med beskyttelsesspray før brug.**
- e) **Vent altid, til maskinen er standset helt, inden du lægger den ned.**
- f) **Andre personer og dyr skal holdes på en afstand af 3 meter eller mere, når maskinen bruges.** Operatøren er ansvarlig for tredjepersoner i arbejdsområdet.
- g) **Tag aldrig fat i hækkeklipperens klinge.**
- h) **Børn eller personer, der ikke er bekendt med disse instruktioner, må ikke bruge hækkeklipperen.** Lokale forskrifter kan begrænse operatørens alder.
- i) **Du bør aldrig klippe en hæk, når der er personer, især børn, eller dyr i nærheden.**
- j) **Brugeren er ansvarlig for ulykker eller farer, der opstår for andre mennesker eller deres ejendom.**
- k) **Brug ikke hækkeklipperen, når du er barfodet eller har åbne sandaler på. Bær altid kraftigt fodtøj og lange bukser.** Det anbefales at bruge robuste handsker, skridsikket fodtøj og sikkerhedsbriller. Bær ikke løst tøj eller smykker, som kan blive trukket ind i delene, der bevæger sig.
- l) **Undersøg grundigt området, hvor hækkeklipperen skal bruges, og fjern alle ledninger og andre fremmedlegemer.**
- m) **Før brug skal du se skæreklinger, skærebolte og skæresamling efter for slid eller beskadigelse.** Brug ikke en beskadiget eller meget slidt skæreenhed.
- n) **Du skal vide, hvordan du stopper hækkeklipperen hurtigt i en nødsituation.**

- o) Klip kun hæk i dagslys eller i god kunstig belysning.
 - p) Brug aldrig hækkeklipperen med defekte skærme, eller uden at skærmen er på plads.
 - q) Hold aldrig hækkeklipperen i skærmen.
 - r) Hold altid et korrekt fodfæste og balancen, når du bruger hækkeklipperen.
 - s) Vær altid opmærksom på dine omgivelser, og vær opmærksom på mulige farer, som du måske ikke hører, mens du bruger hækkeklipperen.
 - t) Hold alle møtrikker, bolte og skruer stramme for at sikre, at hækkeklipperen altid er i en sikker driftstilstand.
 - u) Hækkeklipperen skal opbevares på et tørt, højt eller aflåst sted uden for børns rækkevidde.
 - v) Udskift slidte eller beskadigede dele af hensyn til sikkerhed.
 - w) Forsøg ikke at reparere maskinen, medmindre du er kvalificeret til det.
 - x) Hold produktet sikkert med begge hænder.
- den, med mindre de er under opsyn eller bliver instrueret.
- b) Børn skal være under opsyn, så de ikke leger med apparatet.
 - c) Oplad ikke batterier, der ikke er genopladelige!
 - d) Under opladningen skal batterierne befinde sig i et område med god udluftning!

El-sikkerhed



Kontroller altid, at strømforsyningsens spænding stemmer overens med spændingen på ydelsesskiltet.

- Brug ikke maskinen, hvis netledningen eller netstikket er beskadiget.
- Brug kun forlængerledninger, der er velegnede til maskinens effekt med en minimumstykkelse på 1,5 mm². Hvis du bruger en forlængerkabelrulle, skal du altid rulle kablet helt ud.

2. MASKINOPLYSNINGER

Tilsigtet brug

Maskinen er beregnet til husholdningsbrug, til klipning og trimning af hække og buske i forhøjet højde, mens brugeren står på jorden. Maskinen er ikke beregnet til at blive brugt på en stige eller trin. Maskinen er ikke beregnet til at klippe græs og kan ikke bruges som græstrimmer. Dette værktøj er ikke beregnet til kommerciel eller industriel brug.

TEKNISKE SPECIFIKATIONER



Denne vejledning er udarbejdet til forskellige sæt/varenumre. Kontroller det tilsvarende varenummer i nedenstående tabel med specifikationer for den korrekte sammensætning og indholdet af dit sæt.

Model nr.	Batterier medfølger	Opladere medfølger
HT503DC	-	-
S_HT503DC	CD801AA	CD802AA
S2_HT503DC	2 x CD801AA	CD802AA
S3_HT503DC	CD803AA	CD802AA

SIKKERHEDSADVARSLER FOR BATTERI

- a) **Åbn ikke batteriet.** Fare for kortslutning.
- b) **Beskyt batteriet mod varme, f.eks. mod kontinuerligt intenst sollys, brand, vand og fugt.** Fare for eksplosion.
- c) **I tilfælde af skade og forkert brug af batteriet, kan der blive udsendt dampe. Udluft området, og søg lægehjælp i tilfælde af klager.** Dampene kan irritere åndedrætssystemet.
- d) **Brug kun batteriet sammen med dit Vonroc-produkt.** Denne foranstaltning alene beskytter batteriet mod farlig overbelastning.
- e) **Batteriet kan blive beskadiget af spidse genstande såsom søm eller skruetrækkere eller af eksternt påført kraft.** Der kan opstå en intern kortslutning, og batteriet kan brænde, ryge, eksplodere eller bliver overophedet.

SIKKERHEDSADVARSLER FOR OPLADER

Tilsigtet brug

Oplad kun genopladelige batteripakker af type CD801AA og CD803AA med opladeren. Andre typer batterier kan sprænge og dermed forårsage personskader og beskadigelser.

- a) **Dette apparat er ikke beregnet til at blive anvendt af personer (herunder børn) med reducerede fysiske, sansemæssige eller mentale evner samt med manglende erfaring eller vi-**

Maskinoplysninger	
Spænding	20 V
Slaghastighed uden belastning	1200/min
Klingelængde	36 cm
Tandåbning	23 mm
Længdejustering	200-260 cm
Lydtrykniveau (LWA)	88 dB(A), K=3 dB(A)
Vægt	2,3kg

Maskinoplysninger	
Spænding	20 V
Slaghastighed uden belastning	1200/min
Klingelængde	36 cm
Tandåbning	23 mm
Længdejustering	200-260 cm
Lydtrykniveau (LpA)	77,9 dB, k=3 dB
Lydeffektniveau (LWA)	87,8 dB, k=3 dB
Garanteret LWA	91 dB
Vibration	håndtag foran ah=2,55 m/s ²
	håndtag bagpå ah=2,48 m/s ²
	K=1,5 m/s ²
Vægt	2,3 kg

Model nr.	CD802AA
Opladerinput	220-240 V, 50 Hz 0,4 A
Opladeroutput	21 V 2,5 A
Opladningstid 2 Ah batteri	60 minutter
Opladningstid 4 Ah batteri	120 minutter
Anbefalede batterier	CD801AA, CD803AA
Vægt	0,36kg

Model nr.	CD803AA
Batteritype	Lithium-Ion
Spænding	20 V
Kapacitet	4,0 Ah
Anbefalet oplader	CD802AA

Vægt	0,65kg
------	--------

Brug kun de følgende batterier af VONROC VPOWER 20V-batteriplatformen. Brug af andre batterier kan forårsage personskade eller beskadigelse af værktøjet.

- CD801AA 20 V, 2 Ah Lithium-Ion
- CD803AA 20 V, 4 Ah Lithium-Ion

Den følgende oplader kan bruges til at oplade disse batterier.

- CD802AA Hurtig oplader

Batterierne af VONROC VPOWER 20V-batteriplatformen kan udskiftes med alle værktøjer af VONROC VPOWER 20V-batteriplatformen.

BESKRIVELSE

Tallene i teksten henviser til diagrammerne på side 2-5.

1. Hækkeklipperhoved
2. Hovedindstillingsknap
3. Hovedlåsering
4. Hækkeklipperklinge
5. Håndtagsslåsegreb
6. Strømkontakt
7. Teleskophåndtag
8. Strømforbindelse
9. Skulderrem
10. Karabinhage
11. Beskyttelsesmanchet
12. Batteri
13. Batterioplader
14. Knap til frigivelse af batteri
15. Knap til LED-indikatorer for batteri
16. LED-indikatorer for batteri
17. LED-indikatorer for oplader

3. MONTERING



Før enhver form for arbejde (vedligeholdelse, værktøjsskift, montering) på elværktøjet skal du tage batteriet ud af elværktøjet.



Batteriet skal oplades inden første brug.

Sådan sættes batteriet ind i maskinen (fig. B-1)

Sørg for, at batteriets yderside er ren og tør, inden du forbinder det til opladeren eller maskinen.

1. Sæt batteriet (12) ind i maskinens base, som vist på fig. B-1.
2. Skub batteriet længere frem, indtil det klikker på plads.

Sådan tages batteriet ud af maskinen (fig. B-1)

1. Tryk på knappen til frigivelse af batteri (14).
2. Træk batteriet ud af maskinen, som vist på fig. B-1.

Kontrol af batteriets opladestatus (fig. B-2)

- Tryk kortvarigt på knappen (15) på batteriet for at kontrollere batteriets opladningsstatus.
- Batteriet har 3 lamper, der angiver opladningsniveauet. Jo flere lamper, der lyser, des mere opladning er der tilbage i batteriet.
- Når lamperne ikke lyser, betyder det, at batteriet er tomt og skal oplades med det samme.

Opladning af batteriet med opladeren (fig. B-2)

1. Tag batteriet (12) ud af maskinen.
2. Vend batteriet (12) på hovedet, og skub det ind i opladeren (13), som vist på fig. B-2.
3. Skub batteriet, indtil det er helt inde i åbningen.
4. Sæt opladerstikket i en stikkontakt, og vent et øjeblik. LED-indikatorerne på opladeren (17) lyser og viser opladerens status

Opladeren har 2 LED-indikatorer (17), som indikerer opladningsprocessens status:

Rød LED-status	Grøn LED-status	Opladerstatus
Slukket	Slukket	Ingen strøm
Slukket	Tændt	Standby-tilstand: - Intet batteri isat, eller - Batteri isat, men opladning er afsluttet
Tændt	Slukket	Batteriopladning i gang

- Det kan tage op til 60 minutter at lade 2 Ah batteriet helt op.
- Det kan tage op til 120 minutter at lade 4 Ah batteriet helt op.

Når batteriet er ladet helt op, skal du tage opladerens stik ud af kontakten og fjerne batteriet fra opladeren.



Når maskinen ikke bruges gennem en længere periode, er det bedst at opbevare batteriet i opladet tilstand.

Samling af værktøj (fig. C, D)

- Sæt skulderremmen (9) fast til løkken på håndtaget (7) ved hjælp af karabinhagen (10).
- Frigiv hovedlåseringen (3) ved at dreje den mod uret. Fjern ikke ringen helt fra hovedet.
- Sæt hækkeklipperhovedet (1) fast på teleskophåndtaget (7) ved at indsætte strømforbindelsen (8) i hovedet.
- Hvis forbindelsen (8) ikke er sat korrekt i, er der muligvis ingen elektrisk forbindelse, og værktøjet vil ikke fungere. Sørg for, at strømforbindelsen er sat helt ind i hækkeklipperens hoved. Skruen (18) på håndtaget skal være dækket af klipperhovedet (1) og låseringen (3).
- Fastgør hækkeklipperhovedet (1) ved at dreje låseringen (3) med uret



Spænd aldrig bæltet diagonalt over skulderen og brystet. Placer det i stedet på en af skuldrene. På denne måde kan du hurtigt fjerne værktøjet fra din krop i tilfælde af fare.

Justering af teleskophøjden (fig. E-1, E-2)

- Lås grebet (5) op for at frigive teleskophåndtaget (7).
- Træk teleskophåndtaget (7) ud eller tilbage til den ønskede længde.
- Fastgør teleskophåndtaget ved at låse grebet (5).

Indstilling af hækkeklipperhovedet (Fig. F-1, F-2)

- Tryk på knappen (2) på siden af hækkeklipperhovedet (1).
- Juster hovedet til den ønskede position.
- Slip knappen (2), og sørg for, at hovedet er låst på plads.

4. DRIFT

Før brug (fig. G)

Fjern klingskærmen (11), og smør klingerne (4).

Tænd og sluk

Hold altid hækkeklipperen med begge hænder. Hold den ene hånd på teleskophåndtaget (7) og

den anden hånd på det bagerste håndtag nær strømkontakten. Tryk og hold strømkontakten (6) nede for at bruge maskinen. Når strømkontakten slippes, stopper maskinen automatisk.

Efter brug

Tør alt snavs og alle rester af klingerne (4) med en børste eller klud. Smør klingerne, placer klingskærmen (11), og fjern batteriet (12), før maskinen stilles til opbevaring.

5. VEDLIGEHOLDELSE



Før rengøring og vedligeholdelse skal du altid slukke for maskinen og fjerne batteripakken fra maskinen.

Rengør maskinbeklædningerne regelmæssigt med en blød klud, helst efter hver anvendelse. Sørg for, at der ikke er støv eller snavs i ventilationsåbningerne. Fjern snavs, der sidder meget godt fast, med en blød klud, der er fugtet i sæbevand. Brug ikke opløsningsmidler, som f.eks. benzin, sprit, ammoniak osv. Kemikalier som disse beskadiger de syntetiske komponenter.

Skæreklinge

- Bær altid handsker under håndtering eller rengøring af skæreklingen.
- Rengør skæreklingen, og sprøjt med en beskyttende olie efter hver anvendelse. Vi anbefaler at smøre skæreklingen med beskyttende olie ved regelmæssige intervaller under lange arbejdsperioder.
- Inspicer skæreklingens tilstand visuelt. Kontroler, om skrueerne sidder godt fast i klinge bjælken.

Opbevaring

Hækkeklipperen bør opbevares på et tørt og sikkert sted, helt uden for børns rækkevidde. Placer ikke andre genstande oven på den.

MILJØ



Defekte og/eller bortskaffede elektriske og elektroniske apparater skal afleveres på en passende genbrugsstation.

Kun for lande i EU

Maskinværktøj må ikke bortskaffes sammen med husholdningsaffald. Ifølge EC-direktiv 2012/19/EU om affald af elektrisk og elektronisk udstyr og dets gennemførelse i den nationale lovgivning skal maskinværktøjer, der ikke længere anvendes, afleveres separat og bortskaffes på en miljøvenlig måde.

GARANTI

VONROC-produkter er udviklet til de højeste kvalitetsstandarder og er garanteret fri for defekter i både materialer og udførelse i den periode, der er retsligt angivet fra datoen for det originale køb. Hvis produktet skulle udvikle fejl i denne periode på grund af defekt materiale og/eller udførelse, bedes du kontakte VONROC direkte.

Følgende omstændigheder er udelukket fra denne garanti:

- Uautoriserede servicecentre har foretaget eller gjort forsøg på at foretage reparationer og/eller ændringer på maskinen;
- Normal slitage;
- Værktøjet er blevet misbrugt, brugt forkert eller ikke passende vedligeholdt;
- Der er anvendt ikke-originale reservedele.

Dette udgør den eneste garanti, virksomheden har givet, enten udtrykt eller underforstået. Der er ingen andre garantier, udtrykt eller underforstået, som strækker sig ud over denne, herunder de underforståede garantier for salgbarhed og egnethed til et bestemt formål. Under ingen omstændigheder skal VONROC holdes ansvarlig for tilfældige skader eller følgeskader. Forhandlerens retsmidler skal være begrænset til reparation eller udskiftning af enheder eller dele, der ikke overholder kravene.

Produktet og brugervejledningen er genstand for ændringer. Specifikationer kan ændres uden yderligere varsel.

1. INSTRUKCJĘ DOTYCZĄCĄ BEZPIECZEŃSTWA

Przeczytać dołączone ostrzeżenia dotyczące bezpieczeństwa, dodatkowe ostrzeżenia dotyczące bezpieczeństwa oraz instrukcję. Nieprzestrzeganie ostrzeżeń dotyczących bezpieczeństwa oraz instrukcji może prowadzić do porażenia prądem, pożaru i/lub poważnych obrażeń ciała. Zachować ostrzeżenia dotyczące bezpieczeństwa oraz instrukcje na przyszłość.

Następujące symbole są umieszczone w instrukcji obsługi lub na produkcie:



Przeczytać instrukcję obsługi.



Oznacza ryzyko obrażeń ciała, śmierci lub uszkodzenia narzędzia w razie nieprzestrzegania poleceń z instrukcji.



Ryzyko porażenia prądem.



Maks. temperatura 45°C.



Nie wrzucać akumulatora do ognia.



Nie wrzucać akumulatora do wody.



Nosić kask.



Nosić okulary ochronne.



Nie wystawiać urządzenia na działanie deszczu.



Trzymać dłonie z dala od ostrza.



Uważać na przedmioty wyrzucone w powietrze. Osoby postronne nie powinny znajdować się w pobliżu.



Trzymać produkt z dala od linii wysokiego napięcia! Minimalna odległość to 10 metrów.



Urządzenie klasy II z podwójną izolacją - Nie trzeba stosować wtyczek z uziemieniem.



Miniaturowy bezpiecznik zwłoczny.



Zbiórka selektywna akumulatora litowo-jonowego.



Nie wyrzucać produktu do nieodpowiednich pojemników.



Produkt spełnia wymogi odpowiednich norm bezpieczeństwa podanych w dyrektywach UE.

OGÓLNE OSTRZEŻENIA DOTYCZĄCĄ BEZPIECZEŃSTWA ELEKTRONARZĘDZI



OSTRZEŻENIE! Przeczytać wszystkie ostrzeżenia dotyczące bezpieczeństwa i wszystkie instrukcje. Nieprzestrzeganie ostrzeżeń oraz instrukcji może prowadzić do porażenia prądem, pożaru i/lub poważnych obrażeń ciała.

Zachować ostrzeżenia oraz instrukcje na przyszłość.

Określenie „elektronarzędzie” w ostrzeżeniach odnosi się do elektronarzędzia zasilanego z sieci (przewodowego) lub elektronarzędzia zasilanego z akumulatora (bezprowodowego).

1) Bezpieczeństwo miejsca pracy

- a) **Utrzymywać miejsce pracy w czystości i dobrze oświetlone.** Bałagan i ciemności w miejscu pracy prowadzą do wypadków.
- b) **Nie używać elektronarzędzi w atmosferze wybuchowej, np. w obecności łatwopalnych cieczy, gazów lub pyłu.** Elektronarzędzia wytwarzają iskry, które mogą spowodować zapłon pyłu lub oparów.
- c) **Podczas korzystania z elektronarzędzia nie pozwalać zbliżać się dzieciom i osobom postronnym.** Odwrócenie uwagi może spowodować utratę panowania nad narzędziem.

2) Bezpieczeństwo elektryczne

- a) **Wtyczka elektronarzędzia musi pasować do gniazdka. Nigdy w żaden sposób nie modyfikować wtyczki. Nie używać żadnych przejściówek do wtyczek w połączeniu z uziemionymi elektronarzędziami.** Niemodyfikowane wtyczki i pasujące do nich gniazdka zmniejszają ryzyko porażenia prądem.
- b) **Unikać dotykania uziemionych powierzchni, jak rury, grzejniki, kuchenki i lodówki.** Jeśli ciało

jest uziemione, ryzyko porażenia prądem jest zwiększone.

- c) **Nie narażać elektronarzędzi na deszcz, wodę lub wilgoć.** Przedostanie się wody do wnętrza elektronarzędzia zwiększy ryzyko porażenia prądem.
 - d) **Ostrożnie obchodzić się z kablem. Nigdy nie używać kabla do przenoszenia, ciągnięcia lub odłączania elektronarzędzia od gniazdka. Trzymać kabel z dala od gorąca, oleju, ostrych krawędzi i ruchomych części.** Uszkodzone lub splecione kable zwiększają ryzyko porażenia prądem.
 - e) **Podczas użytkowania elektronarzędzia na wolnym powietrzu używać przedłużacza przeznaczonego do użytku na wolnym powietrzu.** Używanie przedłużacza przeznaczonego do użytku na wolnym powietrzu zmniejsza ryzyko porażenia prądem.
 - f) **Jeśli obsługa elektronarzędzia w wilgotnym miejscu jest nieunikniona, użyć zasilania wyposażonego w wyłącznik różnicowoprądowy.** Użycie wyłącznika różnicowoprądowego zmniejsza ryzyko porażenia prądem.
- 3) Bezpieczeństwo osobiste**
- a) **Zachować czujność, uważać na to, co się robi, a także stosować zdrowy rozsądek podczas korzystania z elektronarzędzia. Nie używać narzędzia, gdy jest się zmęczonym lub pod wpływem leków, alkoholu albo środków odurzających.** Chwila nieuwagi podczas obsługi elektronarzędzia może prowadzić do poważnych obrażeń ciała.
 - b) **Stosować środki ochrony osobistej. Zawsze nosić okulary ochronne.** Wyposażenie ochronne, jak maska przeciwpyłowa, antypoślizgowe bezpieczne obuwie, kask lub ochronniki słuchu, używane w odpowiednich warunkach ogranicza występowanie obrażeń ciała.
 - c) **Unikać niezamierzonego uruchomienia. Dopilnować, aby włącznik znajdował się w położeniu wyłączonym przed podłączeniem elektronarzędzia do źródła zasilania i/lub akumulatora, jego podniesieniem lub przeniesieniem.** Przeniesienie elektronarzędzi z palcem na włączniku lub podłączenie do zasilania elektronarzędzi z włącznikiem w położeniu włączenia jest bardzo niebezpieczne i może powodować wypadki.
 - d) **Usunąć wszelkie klucze lub inne narzędzia do regulacji przed włączeniem elektronarzędzia.**

Klucz lub inne narzędzie pozostawione podłączone do obracającej się części narzędzia może prowadzić do obrażeń ciała.

- e) **Nie sięgać za daleko. Zawsze utrzymywać właściwe podparcie dla stóp i równowagę.** Pozwala to na lepsze panowanie nad elektronarzędziem w nieoczekiwanych sytuacjach.
 - f) **Nosić odpowiednią odzież. Nie nosić luźnych ubrań ani biżuterii. Nie zbliżać włosów, odzieży i rękawic do ruchomych części.** Luźna odzież, biżuteria lub długie włosy mogą zostać pochwycone przez ruchome części.
 - g) **Jeśli urządzenie jest wyposażone w złącze do podłączania do urządzeń do gromadzenia i odsysania pyłu, koniecznie je podłączyć i używać ich prawidłowo.** Gromadzenie pyłu pozwala na ograniczanie zagrożeń związanych z pyłem.
 - h) **Nie zezwalać na to, aby rutyna związana z częstym korzystaniem z narzędzi powodowała nadmierną pewność siebie i ignorowanie zasad bezpiecznego korzystania z narzędzi.** Nieodpowiedzialne działanie może spowodować poważne obrażenia ciała w ułamku sekundy.
- 4) Użytkowanie i pielęgnacja elektronarzędzia**
- a) **Nie przeciążać elektronarzędzia. Używać narzędzia przystosowanego do określonego zastosowania.** Właściwe elektronarzędzie wykonana pracę lepiej i bezpieczniej z szybkością, do jakiej jest przeznaczony.
 - b) **Nie używać elektronarzędzia, jeśli jego włącznik nie pozwala na jego włączanie i wyłączanie.** Elektronarzędzie, którego nie można włączać i wyłączać włącznikiem jest niebezpieczne i musi zostać naprawione.
 - c) **Odłączyć wtyczkę od źródła zasilania i/lub odłączyć akumulator od elektronarzędzia przed rozpoczęciem przeprowadzania jakichkolwiek regulacji, wymianą akcesoriów lub rozpoczęciem przechowywania elektronarzędzia.** Takie środki zapobiegawcze ograniczają ryzyko przypadkowego uruchomienia elektronarzędzia.
 - d) **Przechowywać nieużywane elektronarzędzia w miejscu niedostępnym dla dzieci i nie pozwalać osobom niezaznajomionym z elektronarzędziem lub tą instrukcją na obsługę elektronarzędzia.** Elektronarzędzia są niebezpieczne w rękach nieprzeszkolonych użytkowników.
 - e) **Prawidłowo konserwować elektronarzędzia. Sprawdzać elektronarzędzie pod kątem niedopasowania lub utykania części ruchomych,**

peknięcia części lub innych okoliczności, które mogą negatywnie wpływać na jego działanie.

W razie uszkodzenia oddać elektronarzędzie do naprawy przed ponownym użyciem. Wiele wypadków jest spowodowanych słabo konserwowanymi elektronarzędziami.

- f) **Utrzymywać narzędzia tnące naostrzone i czyste.** Właściwie konserwowane narzędzia tnące z ostrymi krawędziami tnącymi są mniej narażone na utykanie i łatwiej nad nimi zapanować.
 - g) **Używać elektronarzędzia, akcesoriów i końcówek narzędziowych itp. zgodnie z tą instrukcją, uwzględniając warunki pracy i zadanie do wykonania.** Wykorzystanie elektronarzędzia do zadań niezgodnych z jego przeznaczeniem może prowadzić do niebezpieczeństwa.
 - h) **Uchwyty należy utrzymywać w stanie suchym, czystym i niezabrudzonym olejem lub smarem.** Śliskie uchwyty i powierzchnie do chwytania nie pozwalają na bezpieczne obchodzenie się z narzędziem i panowanie nad nim w nieoczekiwanych sytuacjach.
- 5) Użytkowanie i pielęgnacja akumulatora**
- a) **Ładować tylko ładowarką wyznaczoną przez producenta.** Ładowarka odpowiednia dla jednego rodzaju akumulatora może powodować ryzyko pożaru, jeśli zostanie użyta z innym rodzajem akumulatora.
 - b) **Używać elektronarzędzia jedynie w połączeniu z wyznaczonymi akumulatorami.** Użycie innych akumulatorów może powodować ryzyko obrażeń ciała i pożaru.
 - c) **Kiedy akumulator nie jest używany, należy trzymać go z dala od innych metalowych przedmiotów, takich jak spinacze, monety, klucze, gwoździe, śruby lub inne małe metalowe przedmioty, które mogą spowodować zwarcie styków akumulatora.** Zwarcie styków akumulatora może powodować poparzenia lub pożar.
 - d) **W przypadku silnego uderzenia z akumulatora może wypłynąć płyn. Unikać styczności. W razie przypadkowej styczności niezwłocznie przepłukać miejsce styczności wodą. Jeśli dojdzie do styczności płynu z akumulatora z oczami, natychmiast uzyskać pomoc lekarską.** Płyn z akumulatora może powodować podrażnienia lub poparzenia.
 - e) **Nie używać uszkodzonego ani zmodyfikowanego akumulatora lub narzędzia.** Uszkodzone lub zmodyfikowane akumulatory mogą działać

w sposób nieoczekiwany, co może powodować pożar, wybuch lub ryzyko obrażeń ciała.

- f) **Nie wystawiać akumulatora ani narzędzia na działanie płomienia lub zbyt wysokiej temperatury.** Narażenie na działanie płomienia lub temperatury powyżej 130°C może spowodować wybuch. UWAGA Temperaturę „130 °C” można zastąpić temperaturą „265 °F”.
 - g) **Przestrzegać wszystkich instrukcji ładowania i nie ładować akumulatora ani narzędzia poza zakresem temperatury podanym w instrukcji.** Nieprawidłowe ładowanie lub ładowanie w temperaturze poza podanym zakresem może spowodować uszkodzenie akumulatora i zwiększyć ryzyko pożaru.
- 6) Serwis**
- a) **Zlecać serwisowanie elektronarzędzia wykwalifikowanemu technikowi stosującemu jedynie części zamienne identyczne z oryginalnymi.** Zapewni to zachowanie bezpieczeństwa elektronarzędzia.
 - b) **Nigdy nie serwisować uszkodzonych akumulatorów.** Serwisowanie akumulatorów może przeprowadzać wyłącznie producent lub autoryzowany serwis.

OSTRZEŻENIA DOTYCZĄCE BEZPIECZEŃSTWA NOŻYC DO ŻYWOPIŁOTU

- a) **Trzymać wszystkie części ciała z dala od ostrza. Nie usuwać odciętego materiału ani nie trzymać materiału do przecięcia, gdy ostrza się poruszają.** Ostrza poruszają się jeszcze przez jakiś czas po wyłączeniu narzędzia. Chwila nieuwagi podczas obsługi nożyc do żywopiłotu może prowadzić do poważnych obrażeń ciała.
- b) **Przenosić nożycy do żywopiłotu za uchwyt z zatrzymanym ostrzem i zachowując ostrożność, aby nie uruchomić żadnego włącznika zasilania.** Prawidłowe przenoszenie nożyc do żywopiłotu zmniejsza ryzyko niezamierzonego uruchomienia narzędzia i obrażeń ciała spowodowanych przez ostrza.
- c) **Na czas transportu lub przechowywania nożyc do żywopiłotu zawsze zakładać osłonę ostrza.** Prawidłowe obchodzenie się z nożycami do żywopiłotu zmniejsza ryzyko obrażeń ciała spowodowanych przez ostrza.
- d) **W przypadku usuwania zablokowanego materiału lub serwisowania narzędzia dopilnować, aby wszystkie włączniki zasilania były w pozycji**

wyłączonej i akumulator był wyjęty lub odłączony. Nagłe uruchomienie nożyc do żywoplotu podczas usuwania zablokowanego materiału lub serwisowania może spowodować poważne obrażenia ciała.

- e) **Trzymać nożyce do żywoplotu wyłącznie za izolowane powierzchnie przeznaczone do chwytania, ponieważ ostrze tnące może zetknąć się z ukrytym okablowaniem.** Zetknięcie się ostrza z przewodem pod napięciem może sprawić, że odsłonięte metalowe części nożyc również znajdą się pod napięciem i spowodować porażenie operatora prądem.
- f) **Trzymać wszystkie kable zasilania i inne kable z dala od obszaru cięcia.** Kable zasilania i inne kable mogą być ukryte w żywoplotcie lub w krzewach i zostać przypadkowo przecięte przez ostrze.
- g) **Nie używać nożyc w złych warunkach pogodowych, szczególnie wtedy, gdy występuje ryzyko wyładowań atmosferycznych.** Pozwoli to ograniczyć ryzyko porażenia piorunem.

OSTRZEŻENIA DOTYCZĄCE BEZPIECZEŃSTWA TELESKOPOWYCH NOŻYC DO ŻYWO- PŁOTU

- a) **Aby ograniczyć ryzyko śmiertelnego porażenia prądem elektrycznym, nigdy nie używać teleskopowych nożyc do żywoplotu w pobliżu jakichkolwiek linii elektroenergetycznych.** Dotknięcie linii elektroenergetycznej lub użycie urządzenia w jej pobliżu może spowodować poważne obrażenia ciała lub śmiertelne porażenie prądem.
- b) **Do obsługi teleskopowych nożyc do żywoplotu zawsze używać obu rąk.** Trzymać teleskopowe nożyce do żywoplotu oburącz, aby uniknąć utraty panowania nad narzędziem.
- c) **Podczas obsługi teleskopowych nożyc do żywoplotu powyżej wysokości głowy zawsze używać środków ochrony głowy.** Spadające resztki mogą spowodować poważne obrażenia ciała.

DODATKOWE OSTRZEŻENIA DOTYCZĄCE BEZPIECZEŃSTWA

- a) **To narzędzie nie jest przeznaczone do użytku przez osoby (w tym dzieci) o ograniczonych zdolnościach fizycznych, czuciowych lub umysłowych albo nieposiadające odpowiedniego doświadczenia i wiedzy, chyba że zostały one**

odpowiednio poinstruowane co do korzystania z urządzenia i są pod nadzorem osoby odpowiedzialnej za ich bezpieczeństwo. Dzieci muszą pozostawać pod opieką, aby nie mogły bawić się maszyną.

- b) **Podczas pracy maszyną zawsze mocno trzymać ją obiema rękami i stać w stabilnej pozycji.** Tym elektronarzędziem pracuje się i kieruje bezpieczniej przy użyciu obu rąk.
- c) **Podczas korzystania z narzędzia dopilnować, aby wszystkie uchwyty i osłony były zamontowane.** Nigdy nie próbować używać niekompletnego narzędzia lub narzędzia zmodyfikowanego bez zezwolenia.
- d) **Przed użyciem zawsze smarować ostrze tnące środkiem ochronnym w sprayu.**
- e) **Przed odłożeniem maszyny zawsze poczekać na jej całkowite zatrzymanie.**
- f) **Inne osoby i zwierzęta muszą pozostawać w odległości co najmniej 3 metrów podczas użytkowania narzędzia.** Operator odpowiada za osoby postronne w miejscu pracy.
- g) **Nigdy nie chwytać ostrza nożyc do żywoplotu.**
- h) **Dzieciom i osobom niezaznajomionym z niniejszą instrukcją nie wolno obsługiwać nożyc do żywoplotu.** Przepisy krajowe mogą ograniczać wiek operatora.
- i) **Nigdy nie przycinać żywoplotu, gdy w pobliżu znajdują się ludzie (zwłaszcza dzieci) lub zwierzęta domowe.**
- j) **Użytkownik jest odpowiedzialny za wypadki i zagrożenia dotyczące innych ludzi lub ich mienia.**
- k) **Nie używać nożyc do żywoplotu boso lub w otwartych sandałach, lecz zawsze nosić solidne obuwie i długie spodnie.** Zaleca się korzystanie z solidnych rękawic, antypoślizgowego obuwia i okularów ochronnych. Nie nosić luźnych ubrań ani biżuterii, gdyż mogą one zostać wciągnięte przez ruchome elementy narzędzia.
- l) **Dokładnie sprawdzić miejsce, w którym mają być użyte nożyce i usunąć wszystkie druty i inne ciała obce.**
- m) **Przed użyciem narzędzia sprawdzić ostrza tnące, śruby ostrzy oraz zespół nożyc pod kątem zużycia lub uszkodzeń.** Nie używać uszkodzonego lub nadmiernie zużytego narzędzia tnącego.
- n) **Znać sposób szybkiego zatrzymania nożyc do żywoplotu w sytuacji awaryjnej.**
- o) **Przycinać żywoplot wyłącznie w świetle dnia lub przy dobrym oświetleniu sztucznym.**

- p) Nigdy nie używać nożyc do żywopłotu z uszkodzonymi osłonami lub bez zamontowanej osłony.
- q) Nigdy nie trzymać nożyc do żywopłotu za osłonę.
- r) Podczas pracy nożycami zawsze utrzymywać właściwe podparcie dla stóp i równowagę.
- s) Zawsze zwracać uwagę na otoczenie i uważać na ewentualne zagrożenia, których można nie usłyszeć podczas pracy nożycami.
- t) Utrzymywać wszystkie nakrętki i śruby dokręcone, aby zagwarantować stałe bezpieczeństwo pracy nożycami.
- u) Nożyce do żywopłotu należy przechowywać w suchym, wysokim lub zamkniętym miejscu niedostępnym dla dzieci.
- v) Ze względów bezpieczeństwa wymieniać zużyte lub uszkodzone części.
- w) Nie podejmować prób naprawy narzędzie, jeśli nie posiada się odpowiednich kwalifikacji.
- x) Trzymać produkt pewnie oburącz.
- słowych albo nie posiadające doświadczenia i wiedzy, chyba że zostały one odpowiednio poinstruowane i są pod nadzorem.**
- b) Dzieciom nie wolno pozwalać bawić się urządzeniem.
- c) Nie ładować zwykłych baterii!
- d) Podczas ładowania akumulatory muszą znajdować się w dobrze wentylowanym miejscu!

Bezpieczeństwo elektryczne



Zawsze sprawdzać, czy napięcie źródła zasilania jest zgodne z napięciem podanym na tabliczce znamionowej.

- Nie używać urządzenia, jeśli jego kabel zasilający jest uszkodzony lub wtyczka kabla zasilającego jest uszkodzona.
- Używać wyłącznie przedłużaczy przystosowanych do pracy z parametrami zasilania urządzenia o minimalnej grubości 1,5 mm². W przypadku korzystania z przedłużacza w zwoju, zawsze całkowicie rozwinąć zwój.

OSTRZEŻENIA DOTYCZĄCE AKUMULATORA

- a) **Nie otwierać akumulatora.** Ryzyko zwarcia.
- b) **Chronić akumulator przed gorącem, np. długotrwałym silnym nasłonecznieniem, ogniem, wodą i wilgocią.** Ryzyko wybuchu.
- c) **W razie uszkodzenia i błędnego użytkowania akumulatora, może dojść do emisji oparów. Przewietrzyć miejsce emisji i uzyskać pomoc lekarską w razie dolegliwości.** Opary mogą powodować podrażnienie układu oddechowego.
- d) **Używać akumulatora wyłącznie w połączeniu z produktem marki Vonroc.** Takie postępowanie chroni akumulator przed niebezpiecznym przeciążeniem.
- e) **Akumulator może zostać uszkodzony przez ostro zakończone przedmioty, jak gwoździe lub wkręta, albo przez uderzenie z zewnątrz.** Może dojść do wewnętrznego zwarcia i akumulator może zacząć się palić, dymić, wybuchnąć lub przegrzać się.

OSTRZEŻENIA DOTYCZĄCE ŁADOWARKI

Przeznaczenie

Za pomocą ładowarki ładować wyłącznie akumulatory typu CD801AA i CD803AA. Akumulatory innego typu mogą pękać, powodując obrażenia ciała i uszkodzenia mienia.

- a) **Urządzenie nie jest przeznaczone do użytku przez osoby (w tym dzieci) o ograniczonych zdolnościach fizycznych, czuciowych lub umy-**

2. INFORMACJE O URZĄDZENIU

Przeznaczenie


Narzędzie jest przeznaczone do użytku domowego, do obcinania i przycinania żywopłotów lub krzewów na zwiększonej wysokości, z użytkownikiem stojącym na ziemi. Narzędzie nie jest przeznaczone do użytku na drabinie lub stopniach. Narzędzie nie jest przeznaczone do koszenia trawy i nie wolno go używać jako podkaszarki. To narzędzie nie jest przeznaczone do użytku komercyjnego ani przemysłowego.


DANE TECHNICZNE





Niniejsza instrukcja dotyczy różnych zestawów/numerów artykułów. Sprawdź odpowiedni numer artykułu w poniższej tabeli, aby uzyskać informacje na temat zawartości zestawu.

Nr modelu	Akumulatory dołączone	Ładowarki dołączone
HT503DC	-	-
S_ HT503DC	CD801AA	CD802AA
S2_ HT503DC	2 x CD801AA	CD802AA
S3_ HT503DC	CD803AA	CD802AA

Informacje o urządzeniu	
Napięcie	20 V 
Liczba skoków bez obciążenia	1200/min
Długość ostrza	36 cm
Rozstaw zębów	23 mm
Regulacja długości	200 - 260 cm
Poziom ciśnienia akustycznego (LpA)	77,9 dB, k = 3 dB
Poziom mocy akustycznej (LWA)	87,8 dB, k = 3 dB
Gwarantowany poziom LWA	91 dB
Drgania	uchwyt przedni ah = 2,55 m/s ²
	uchwyt tylny ah = 2,48 m/s ²
	K=1,5 m/s ²
Ciężar	2,3 kg

Nr modelu	CD801AA
Typ akumulatora	Litowo-jonowy
Napięcie	20 V 
Pojemność	2,0 Ah
Zalecana ładowarka	CD802AA
Ciężar	0,3 kg

Nr modelu	CD802AA
Parametry wejściowe zasilania ładowarki	220-240 V, 50 Hz 0,4 A
Parametry wyjściowe zasilania ładowarki	21 V  2,5 A
Czas ładowania akumulatora 2 Ah	60 minut
Czas ładowania akumulatora 4 Ah	120 minut
Zalecane akumulatory	CD801AA, CD803AA
Ciężar	0,36 kg

Nr modelu	CD803AA
Typ akumulatora	Litowo-jonowy
Napięcie	20 V 
Pojemność	4,0 Ah
Zalecana ładowarka	CD802AA
Ciężar	0,65 kg

Używać wyłącznie następujących akumulatorów z platformy akumulatorów VONROC VPOWER 20 V. Użycie innych akumulatorów może spowodować poważne obrażenia ciała lub uszkodzenie narzędzia.

CD801AA 20 V, 2 Ah Litowo-jonowy
 CD803AA 20V, 4 Ah Litowo-jonowy

Następującej ładowarki można używać do ładowania tych akumulatorów.

CD802AA Szybka ładowarka

Akumulatory należące do platformy VONROC VPOWER 20 V można stosować we wszystkich narzędziach z platformy VONROC VPOWER 20 V.

OPIS

Liczby w tekście odnoszą się do rysunków na stronach 2 - 5.

1. Głowica nożyc do żywoptotu
2. Przycisk regulacji głowicy
3. Pierścień blokujący głowicę
4. Ostrze nożyc do żywoptotu
5. Dźwignia blokady uchwytu
6. Włącznik
7. Uchwyt teleskopowy
8. Złącze zasilania
9. Pasek na ramię
10. Karabińczyk
11. Tuleja ochronna
12. Akumulator
13. Ładowarka
14. Przycisk zwalniania akumulatora
15. Przycisk diod LED akumulatora
16. Diody LED akumulatora
17. Diody LED ładowarki

3. MONTAŻ



Przed jakąkolwiek pracą dotyczącą elektronarzędzia (konserwacją, zmianą

oprzyrządowania, montażem), wyjąć akumulator z elektronarzędzia.



Akumulator należy naładować przed pierwszym użyciem.

Wkładanie akumulatora do narzędzia (rys. B-1)

Dopilnować, aby zewnętrzna powierzchnia akumulatora była czysta i sucha przed podłączeniem do ładowarki lub narzędzia.

1. Włożyć akumulator (12) w podstawę urządzenia, zgodnie z rys. B-1.
2. Wcisnąć akumulator dalej, aż zatrzaśnie się w poprawnym położeniu.

Wymywanie akumulatora z urządzenia (rys. B-1)

1. Nacisnąć przycisk zwalniania akumulatora (14).
2. Wyjąć akumulator z urządzenia zgodnie z rys. B-1.

Sprawdzanie stanu naładowania akumulatora (rys. B-2)

- Aby sprawdzić stan naładowania akumulatora, wcisnąć przycisk (15) na akumulatorze na chwilę.
- Akumulator ma 3 diody informujące o poziomie naładowania. Im więcej świeci dioda, tym wyższy poziom naładowania akumulatora.
- Jeśli diody nie świecą, oznacza to, że akumulator jest rozładowany i wymaga niezwłocznego naładowania.

Ładowanie akumulatora ładowarką (rys. B-2)

1. Wyjąć akumulator (12) z urządzenia.
2. Ustawić akumulator (12) spodem do góry i wsunąć go na ładowarkę (13) zgodnie z rys. B-2.
3. Nacisnąć akumulator do oporu do gniazda.
4. Podłączyć ładowarkę do gniazda i poczekać chwilę. Diody LED na ładowarce (17) zaświecą się, informując o stanie ładowania

Ładowarka jest wyposażona w 2 diody LED (17) wskazujące stan procesu ładowania:

Stan czerwonej diody LED	Stan zielonej diody LED	Stan ładowarki
Wyłączona	Wyłączona	Brak zasilania
Wyłączona	Włączona	Tryb gotowości: - Nie włożono akumulatora lub - Włożono akumulator, ale ładowanie zostało zakończone
Włączona	Wyłączona	Ładowanie akumulatora w toku

- Całkowite naładowanie akumulatora 2 Ah może trwać do 60 minut.
- Całkowite naładowanie akumulatora 4 Ah może trwać do 120 minut.

Po całkowitym naładowaniu akumulatora wyjąć wtyczkę ładowarki z gniazda i wyjąć akumulator z ładowarki.



Kiedy urządzenie nie jest używane przez długi okres, najlepiej przechowywać akumulator w stanie naładowanym.

Montaż narzędzia (rys. C, D)

- Przymocować pasek na ramię (9) do pętli na uchwycie (7) karabińczykiem (10).
- Zwolnić pierścień blokujący głowicę (3), obracając go przeciwnie do wskazówek zegara. Nie zdejmować pierścienia całkowicie z głowicy.
- Przymocować głowicę nożyc do żywoplotu (1) do uchwytu teleskopowego (7), wkładając złącze zasilania (8) w głowicę.
- Jeśli złącze (8) nie zostanie włożone prawidłowo, połączenie elektryczne może nie zostać uzyskane i narzędzie nie będzie działać. Dopilnować, aby złącze zasilania zostało włożone do końca w głowicę nożyc do żywoplotu. Śruba (18) na uchwycie powinna być zasłonięta przez głowicę nożyc (1) i pierścień blokujący (3).
- Zamocować głowicę nożyc do żywoplotu (1), obracając pierścień blokujący (3) zgodnie ze wskazówkami zegara.



Nigdy nie zapinać pasa w poprzek ramienia i klatki piersiowej, lecz umieszczać go na

jednym z ramion. Dzięki temu będzie można szybko zdjąć narzędzie z ciała w razie zagrożenia.

Regulacja długości uchwyty teleskopowego (rys. E-1, E-2)

- Odblokować dźwignię (5) w celu zwolnienia uchwyty teleskopowego (7).
- Wsunąć lub wsunąć uchwyt teleskopowy (7) na żadaną długość.
- Zamocować uchwyt teleskopowy, blokując dźwignię (5).

Regulacja obrotowej głowicy nożyc do żywoplotu (rys. F-1, F-2)

- Wcisnąć przycisk(i) (2) z boku głowicy nożyc do żywoplotu (1).
- Przewrócić głowicę w żądane położenie.
- Zwolnić przycisk (2) i dopilnować, aby głowica była unieruchomiona.

4. OBSŁUGA

Przed użyciem (rys. G)

Zdemontować osłonę ostrza (11) i nasmarować ostrza (4).

Włączanie i wyłączanie

Zawsze trzymać nożyce do żywoplotu oburącz. Położyć jedną rękę na uchwycie teleskopowym (7) i drugą na tylnym uchwycie w pobliżu włącznika. Nacisnąć i przytrzymać włącznik (6), aby włączyć narzędzie. Zwolnienie włącznika spowoduje automatyczne zatrzymanie narzędzia.

Po użyciu

Zetrzeć wszelkie zanieczyszczenia i resztki z ostrzy (4) szczotką lub szmatką. Nasmarować ostrza, założyć osłonę ostrza (11) i wyjąć akumulator (12) przed rozpoczęciem przechowywania narzędzia.

5. KONSERWACJA



Przed rozpoczęciem czyszczenia i konserwacji zawsze wyłączać urządzenie i wyjmować z niego akumulator.

Czyścić obudowę urządzenia regularnie miękką ściereczką, najlepiej po każdym użyciu. Dopilnować, aby otwory wentylacyjne były wolne od pyłu, kurzu i zabrudzeń. Usuwać oporne zabrudzenia miękką

ściereczką zwilżoną mydlinami. Nie używać żadnych rozpuszczalników, takich jak benzyna, alkohol, amoniak itp. Takie substancje chemiczne spowodują uszkodzenie części z tworzyw sztucznych.

Ostrze tnące

- Podczas obchodzenia się z ostrzem tnącym lub jego czyszczenia zawsze nosić rękawice.
- Oczyszczyć ostrze tnące i spryskać je olejem ochronnym po każdym użyciu. Zalecamy regularne smarowanie ostrza tnącego olejem ochronnym podczas długich okresów pracy.
- Należy często sprawdzać stan ostrza tnącego. Sprawdzić, czy śruby są solidnie wkręcone w prowadnicę ostrza.

Przechowywanie

Nożyce przechowywać w bezpiecznym i suchym miejscu niedostępnym dla dzieci. Nie kłaść niczego na urządzeniu.

OCHRONA ŚRODOWISKA



Uszkodzone i/lub niepotrzebne urządzenia elektryczne lub elektroniczne podlegają zbiórce w odpowiednich punktach recyklingu.

Tylko kraje WE

Nie wyrzucać elektronarzędzi wraz z odpadami z gospodarstw domowych. Zgodnie z dyrektywą 2012/19/WE dotyczącą zużytych urządzeń elektrycznych i elektronicznych oraz jej wdrożeniem do prawodawstwa krajowego, elektronarzędzia, które już nie nadają się do użytku, podlegają oddzielnej zbiórce oraz utylizacji w sposób przyjazny dla środowiska.

GWARANCJA

Produkty VONROC są wytwarzane zgodnie z najwyższymi standardami jakości i producent udziela gwarancji na wady materiałowe i wady wykonania na okres wymagany prawem, licząc od dnia zakupu. Jeśli wystąpi usterka produktu w tym okresie spowodowana wadą materiałową i/lub wadą wykonania, proszę bezpośrednio skontaktować się ze sprzedawcą VONROC.

Następujące okoliczności powodują unieważnienie gwarancji:

- Przeprowadzono naprawy lub modyfikacje narzędzia w serwisie innym lub autoryzowany lub podjęto ich próbę,
- Normalne zużycie,
- Narzędzie było używane niezgodnie z przeznaczeniem, źle z nim się obchodzono lub było nieprawidłowo konserwowane,
- Użyto części zamiennych innych niż oryginalne.

Niniejsza gwarancja to wyłączna gwarancja producenta i nie obowiązują żadne inne wyrażone ani dorozumiane gwarancje. Nie obowiązują żadne inne wyrażone ani dorozumiane gwarancje o zakresie przekraczającym niniejszą gwarancję, co obejmuje dorozumiane gwarancje przydatności do sprzedaży i przydatności do określonego celu. W żadnym przypadku firma VONROC nie ponosi odpowiedzialności za straty przypadkowe lub wynikowe. Zadośćuczynienie sprzedawcy jest ograniczone do naprawy lub wymiany niezgodnych urządzeń lub części.

Produkt i instrukcja obsługi podlegają zmianom. Dane techniczne podlegają zmianom bez uprzedzenia.

1. INSTRUCȚIUNI DE SIGURANȚĂ

Citiți avertizările de siguranță, avertizările de siguranță suplimentare și instrucțiunile. Nerespectarea avertizărilor de siguranță poate cauza producerea de electrocutări, incendii și/sau răniri grave. Păstrați avertizările de siguranță și instrucțiunile pentru referințe viitoare.

În manualul de utilizare sau pe produs se utilizează următoarele simboluri:



Citiți manualul de utilizare.



Indică riscul de rănire personală, pierderea vieții sau deteriorarea sculei în cazul în care nu se respectă instrucțiunile din acest manual.



Pericol de electrocutare.



Temperatură max. 45°C.



Nu aruncați bateria în foc.



Nu aruncați bateria în apă.



Purtați echipament de protecție pentru cap.



Purtați ochelari de protecție.



Nu expuneți la ploaie.



Țineți mâinile departe de lamă.



Țineți cont de obiectele aruncate. Țineți persoanele din jur la distanță.



Mențineți produsul la distanță față de cablurile de înaltă tensiune! Distanță de minimum 10 metri.



Mașină din clasa II - Izolație dublă - Nu este necesară o priză cu împământare.



Siguranță în miniatură de tip Time-lag.



Colectare separată pentru bateria Li-ion.



Nu eliminați produsul în containere neadecvate.



Produsul este în conformitate cu standardele de siguranță aplicabile din directivele europene.

AVERTISMENTE GENERALE DE SIGURANȚĂ PRIVIND UNELELE ELECTRICE



AVERTISMENT! Citiți toate avertismentele de siguranță și toate instrucțiunile.

Nerespectarea avertismentelor și instrucțiunilor poate cauza producerea de electrocutări, incendii și/sau răniri grave.

Păstrați toate avertismentele și instrucțiunile pentru consultare ulterioară.

Termenul „unealtă electrică” din avertismente se referă la scula electrică (cu fir) sau la unealta electrică cu baterie (fără fir).

1) Siguranța zonei de lucru

- a) **Păstrați zona de lucru curată și bine iluminată.** Zonele dezordonate sau întunecate duc la accidente.
- b) **Nu operați uneltele electrice în atmosfere explozive, cum ar fi în prezența lichidelor, gazelor sau pulberilor explozive.** Uneltele electrice generează scânteii care pot aprinde pulberea sau fumurile inflamabile.
- c) **Țineți la distanță copiii și persoanele din jur în timp ce operați o unealtă electrică.** Distragerile vă pot cauza pierderea controlului.

2) Siguranța electrică

- a) **Ștecherile uneltelor electrice trebuie să se potrivească cu priza. Nu modificați niciodată în nici un fel mufele. Nu folosiți adaptoare de priză cu scule electrice legate de pământ (împământate).** Mufele nemodificate și prizele adecvate reduc riscul șocului electric.
- b) **Evitați contactul corpului cu suprafețele împământate precum țevi, radiatoare, cuptoare și frigider.** Există un risc mai mare de electrocutare dacă vă este corpul împământat.
- c) **Nu expuneți uneltele electrice la ploaie sau condiții de umezeală.** Apa care pătrunde într-o unealtă electrică va spori riscul de electrocutare.
- d) **Nu manipulați necorespunzător cablul. Nu folosiți niciodată cordonul pentru a purta, a trage**

sau a deconecta unealta. Feriți cordonul de căldură, ulei, margini ascuțite sau piese mobile.

Cordoane distruse sau încurcate cresc riscul de electrocutare.

- e) **Atunci când operați o unealtă de lucru în aer liber, utilizați un prelungitor pentru exterior.** Folosirea unui cordon adecvat pentru uzul în aer liber scade riscul de electrocutare.
 - f) **În cazul în care operarea unei unelte electrice într-un spațiu cu umiditate nu poate fi evitată, utilizați o alimentare cu protecție pentru dispozitivele de curent rezidual (RCD).** Utilizarea unui RCD reduce riscul de electrocutare.
- #### 3) Siguranța personală
- a) **Fiți precauți, fiți atenți la ceea ce faceți și respectați regulile de bun simț atunci când operați o unealtă electrică. Nu folosiți unealta electrică atunci când sunteți obosit sau sub influența drogurilor, alcoolului sau unui tratament medicamentos.** Un moment de neatenție în timpul operării uneltelor electrice poate cauza vătămări corporale grave.
 - b) **Utilizați echipamentul de protecție corporală. Purtați întotdeauna protecție pentru ochi.** Echipamentul de protecție precum masca de praf, pantofii de protecție antiderapați, casca de protecție sau protecția auzului utilizate în condiții adecvate vor reduce rănille personale.
 - c) **Preîntâmpinați pornirea accidentală. Asigurați-vă că comutatorul este în poziția oprit înainte de a vă conecta la sursa de alimentare și / sau la baterie, de a ridica sau purta instrumentul.** Purtarea de unelte electrice ținând degetul pe comutator sau alimentarea uneltelor electrice care au comutatorul pornit duce la accidente.
 - d) **Îndepărtați orice cheie sau clește de reglare înainte de a porni unealta electrică.** Un clește sau o cheie lăsată atașată unei piese rotative a uneltei electrice poate cauza vătămări corporale.
 - e) **Nu vă întindeți pentru a utiliza unealta de lucru. Mențineți-vă întotdeauna stabilitatea și echilibrul.** Acest lucru permite un control mai bun al uneltei electrice în situații neașteptate.
 - f) **Îmbrăcați-vă corespunzător. Nu purtați haine largi sau bijuterii. Țineți-vă părul, îmbrăcămintea și mânușile departe de piesele mobile.** Hainele largi, bijuteriile sau părul lung pot fi prinse în părțile mobile.

- g) **În cazul în care dispozitivele prezintă posibilitatea conectării de accesorii pentru aspirația și colectarea prafului, asigurați-vă că aceste accesorii sunt conectate și utilizate în mod corespunzător.** Utilizarea colectării prafului poate reduce pericolele legate de praf.
- h) **Nu lăsați ca obișnuința obținută prin utilizarea frecventă a uneltelor să vă permită să deveniți impasibil și să ignorați principiile de siguranță în utilizarea uneltelor.** O acțiune neglijentă poate provoca accidente grave într-o fracțiune de secundă.
- 4) Utilizarea și îngrijirea uneltelor electrice**
- a) **Nu forțați unealta electrică. Utilizați unealta electrică adecvată aplicației dvs.** Unealta electrică corectă va face munca mai bine și mai sigur la rata pentru care a fost proiectată.
- b) **Nu utilizați unealta electrică în cazul în care întrerupătorul nu comută în poziția pornit și oprit.** Orice unealtă electrică care nu poate fi controlată cu comutatorul este periculoasă și trebuie reparată.
- c) **Deconectați ștecherul de la sursa de alimentare și/sau acumulatorul de la unealta electrică înainte efectuării oricăror reglaje, modificării accesoriilor sau depozitării uneltelor electrice.** Aceste măsuri preventive de precauție reduc riscul de pornire accidentală.
- d) **Nu depozitați uneltele electrice în stare inactivă la îndemâna copiilor și nu permiteți persoanelor nefamiliarizate cu unealta de lucru sau cu aceste instrucțiuni să o utilizeze.** Uneltele electrice sunt periculoase în mâinile utilizatorilor neinstruiți.
- e) **Efectuați întreținerea uneltelor electrice. Verificați alinierea sau configurarea greșită a pieselor mobile, ruperea pieselor și orice alte condiții care ar putea afecta funcționarea uneltei electrice. În cazul deteriorării, reparați unealta electrică înainte de uz.** Multe accidente sunt cauzate de unelte electrice slab întreținute.
- f) **Păstrați uneltele de tăiat ascuțite și curate.** Uneltele de tăiat corect întreținute cu muchii ascuțite au mai puține șanse să se lege și sunt mai ușor de controlat.
- g) **Utilizați unealta electrică, accesorii și cuțitele uneltei etc. conform acestor instrucțiuni, ținând cont de condițiile de lucru și de lucrarea ce trebuie să fie efectuată.** Folosirea uneltei electrice pentru operații diferite decât celea destinate pot cauza o situație periculoasă.
- h) **Țineți mânerul și suprafețele de prindere uscate, curate și lipsite de ulei și unsoare.** Mânere și suprafețele de prindere alunecoase nu permit manipularea și controlul uneltei în de siguranță în situații neașteptate.
- 5) Utilizarea și îngrijirea uneltelor cu acumulator**
- a) **Reîncărcați folosind exclusiv încărcătorul specificat de către producător.** Dacă un încărcător conceput pentru un anumit tip de acumulator este folosit cu alt acumulator, acest lucru poate genera risc de incendiu.
- b) **Utilizați uneltele electrice exclusiv împreună cu acumulatorii specificați.** Utilizarea altor acumulatori poate cauza risc de rănire și incendiu.
- c) **Atunci când nu folosiți acumulatorul, păstrați-l ferit de alte obiecte metalice, precum agrafe de birou, monede, chei, cuie, șuruburi sau alte obiecte metalice mici care pot realiza conexiunea între cele două borne.** Scurtcircuitarea bornelor bateriei poate cauza arsuri sau incendiu.
- d) **În condiții de utilizare incorectă, este posibil să fie evacuat lichid din baterie; evitați contactul cu acesta. În cazul în care se produce accidental contactul, clătiți cu apă. Dacă lichidul intră în contact cu ochii, solicitați ajutor medical suplimentar.** Lichidul scurs din acumulator poate cauza iritații sau arsuri.
- e) **Nu folosiți un acumulator sau o unealtă care este deteriorată sau modificată.** Acumulatorii deteriorați sau modificați pot avea un comportament imprevizibil care rezultă în foc, explozie sau risc de rănire.
- f) **Nu expuneți acumulatorul sau unealta la foc sau temperatură excesivă.** Expunerea la foc sau temperaturi de peste 130 °C poate provoca explozie. OBSERVAȚIE Temperatura „130 °C” poate fi înlocuită cu temperatura „265 °F”.
- g) **Respectați toate instrucțiunile de încărcare și nu încărcați acumulatorul sau unealta în afara intervalului de temperatură specificat în instrucțiuni.** Încărcarea necorespunzătoare sau la temperaturi în afara domeniului specificat poate deteriora acumulatorul și poate crește riscul de incendiu.
- 6) Service**
- a) **Prevedeți repararea uneltei de lucru de către o persoană calificată, folosind exclusiv piese**

de schimb identice. Acest lucru va garanta păstrarea în siguranță a unelei electrice.

- b) **Niciodată nu servițați acumulatorii deteriorați.** Servisarea acumulatorilor ar trebui să fie efectuată numai de către producător sau furnizorii autorizați de service.

AVERTISMENTE DE SIGURANȚĂ PENTRU TRIMMERUL PENTRU ARBUȘTI

- a) **Țineți toate părțile corpului la distanță de lamă. Nu îndepărtați materialul tăiat sau nu prindeți materialul care trebuie tăiat atunci când lamele sunt în mișcare.** Lamele continuă să se miște și după oprirea întrerupătorului. Un moment de neatenție în timpul operării trimmerului pentru arbuști poate conduce la vătămări corporale grave.
- b) **Transportați trimmerul pentru arbuști ținându-l de mâner, cu lama oprită, și aveți grijă să nu operați întrerupătorul electric.** Transportarea adecvată a trimmerului pentru arbuști va reduce riscul de pornire involuntară și eventualele vătămări personale din cauza lamelor.
- c) **Când transportați sau depozitați trimmerul pentru arbuști, montați întotdeauna apărătoarea lamelor.** Manevrarea adecvată a trimmerului pentru arbuști va reduce riscul de vătămare personală din cauza lamelor.
- d) **La eliminarea materialului blocat sau la servisarea unității, asigurați-vă că toate întrerupătoarele electrice sunt oprite și că acumulatorul este îndepărtat sau deconectat.** Acționarea neașteptată a trimmerului pentru arbuști poate cauza vătămări personale grave în cadrul eliminării materialului blocat sau al servisării.
- e) **Țineți trimmerul pentru arbuști exclusiv de suprafețele izolate pentru prindere deoarece lama poate atinge cabluri ascunse.** Lamele care ating un cablu „sub tensiune” pot tensiona și părțile metalice expuse ale trimmerului pentru arbuști, ceea ce poate provoca electrocutarea operatorului.
- f) **Mențineți toate cordoanele și cablurile electrice la distanță față de zona de tăiere.** Cordoanele sau cablurile electrice ar putea fi ascunse după arbuști sau tufișuri și pot fi tăiate în mod accidental de lamă.
- g) **Nu utilizați trimmerul pentru arbuști în condiții meteorologice nefavorabile în special atunci când există un risc de trăsnet.** Acest lucru scade riscul de a fi lovit de un trăsnet.

AVERTISMENTE DE SIGURANȚĂ PENTRU TRIMMERUL PENTRU ARBUȘTI EXTINS

- a) **Pentru a reduce riscul de electrocutare, nu utilizați niciodată trimmerul pentru arbuști extins în apropierea cablurilor electrice.** Intrarea în contact sau utilizarea cablurilor electrice din apropiere poate cauza vătămări grave sau electrocutare fatală.
- b) **Utilizați întotdeauna ambele mâini când operați trimmerul pentru arbuști extins.** Țineți trimmerul pentru arbuști extins cu ambele mâini pentru a evita pierderea controlului.
- c) **Utilizați întotdeauna protecție pentru cap când operați trimmerul pentru arbuști extins deasupra capului.** Căderea resturilor poate cauza vătămări personale grave.

AVERTIZĂRI DE SIGURANȚĂ SUPPLEMENTARE

- a) **Această unealtă nu este destinată utilizării de către persoane (inclusiv copii) cu capacități fizice, senzoriale sau mentale reduse sau de către persoane lipsite de experiență și cunoștințe,** cu excepția cazurilor în care acestea au fost supravegheate și instruite cu privire la utilizarea aparatului de către o persoană responsabilă pentru siguranța lor. Copiii trebuie să fie supravegheați, pentru a vă asigura că nu se joacă cu aparatul.
- b) **Atunci când lucrați cu mașina, țineți-o ferm cu ambele mâini și asigurați-vă o poziție sigură.** Scula electrică este mai bine manevrată cu ambele mâini.
- c) **Atunci când utilizați mașina, asigurați-vă întotdeauna că toate mânerele și apărătoarele sunt montate.** Nu încercați niciodată să utilizați o mașină incompletă sau asupra căreia s-a efectuat o modificare neautorizată.
- d) **Lubrifiați întotdeauna lama de tăiere cu spray de protecție înainte de utilizare.**
- e) **Întotdeauna așteptați până când mașina s-a oprit complet înainte de a o așeza jos.**
- f) **Alte persoane și animale trebuie să păstreze o distanță de minimum 3 metri atunci când este utilizată mașina.** Operatorul este responsabil pentru persoanele terțe din zona de lucru.
- g) **Nu prindeți niciodată lama trimmerului pentru arbuști.**
- h) **Copiii sau persoanele care nu sunt familiarizate cu aceste instrucțiuni nu trebuie să opereze trimmerul pentru arbuști.** Regulamentele locale pot limita vârsta operatorului.

- i) **Nu tăiați niciodată un arbust când în apropiere se află persoane, în special copii sau animale de companie.**
- j) **Utilizatorul este responsabil pentru accidentele sau pericolele care apar la alte persoane sau proprietatea acestora.**
- k) **Nu operați trimmerul pentru arbuști dacă nu purtați încălțăminte sau dacă purtați sandale deschise, purtați întotdeauna încălțăminte adecvată și pantaloni lungi.** Este recomandată utilizarea mănușilor rezistente, a încălțămintei antiderapante și a ochelarilor de protecție. Nu purtați haine largi sau bijuterii care ar putea fi prinse în piesele în mișcare.
- l) **Inspectați temeinic zona în care trebuie utilizat trimmerul pentru arbuști și îndepărtați toate cablurile și celelalte obiecte străine.**
- m) **Înainte de operare, verificați lamele de tăiere, șuruburile lamei și ansamblul de tăiere cu privire la uzură sau deteriorări.** Nu operați cu un dispozitiv de tăiere deteriorat sau uzat excesiv.
- n) **Aflați care este modalitatea de oprire rapidă a trimmerului pentru arbuști în caz de urgență.**
- o) **Tăiați arbuștii numai pe timp de lumină sau cu o lumină artificială corespunzătoare.**
- p) **Nu operați niciodată trimmerul pentru arbuști dacă apărătorile sunt defecte sau dacă nu sunt montate.**
- q) **Nu țineți niciodată trimmerul pentru arbuști de apărătoare.**
- r) **La operarea trimmerului pentru arbuști, mențineți-vă întotdeauna stabilitatea și echilibrul.**
- s) **Fiți întotdeauna conștient de mediul înconjurător și fiți atent cu privire la posibilele pericole pe care s-ar putea să nu le auziți în timp ce operați trimmerul pentru arbuști.**
- t) **Păstrați toate piulițele, șuruburile și buloanele strânse pentru a vă asigura că trimmerul pentru arbuști se află întotdeauna în stare sigură de funcționare.**
- u) **Trimmerul pentru arbuști trebuie depozitat într-un loc uscat, la înălțime sau încuiat, care să nu fie la îndemâna copiilor.**
- v) **Înlocuiți piesele uzate sau deteriorate pentru garantarea siguranței.**
- w) **Nu încercați să reparați mașina dacă nu dețineți calificarea corespunzătoare.**
- x) **Țineți produsul bine cu ambele mâini.**

AVERTISMENTE DE SIGURANȚĂ PENTRU ACUMULATOR

- a) **Nu deschideți acumulatorul.** Pericol de scurtcircuitare.
- b) **Protejați acumulatorul împotriva căldurii, de ex. împotriva expunerii puternice la soare, foc, apă și umiditate.** Pericol de explozie.
- c) **În cazul deteriorării și utilizării necorespunzătoare a acumulatorului, pot fi emiși vapori. Ventilați zona și solicitați asistență medicală în caz de sesizări.** Vaporii pot irita sistemul respirator.
- d) **Utilizați acumulatorul numai împreună cu produsul dvs. Vonroc.** Numai această măsură protejează acumulatorul împotriva supraîncărcării periculoase.
- e) **Acumulatorul poate fi deteriorat de obiecte ascuțite, cum ar fi cuie sau șurubelnițe sau prin forță aplicată extern.** Poate apărea un scurtcircuit intern și acumulatorul poate arde, exploda sau supraîncălzi.

AVERTISMENTE DE SIGURANȚĂ PENTRU STAȚII DE ÎNCĂRCARE

Domeniul de utilizare

Încărcați doar acumulatorii de tip CD801AA și CD803AA cu încărcătorul. Alte tipuri de acumulatori pot exploda provocând rănire personală și daune.

- a) **Aparatul nu trebuie utilizat de către persoane (inclusiv copii) cu capacități fizice, senzoriale sau mentale reduse, sau de către persoane lipsite de experiență și cunoștințe, cu excepția cazului în care acestea au fost supravegheate și instruite.**
- b) **Nu lăsați copiii nesupravegheați să se joace cu aparatul.**
- c) **Nu reincărcați bateriile ne-reîncărcabile!**
- d) **În timpul încărcării, acumulatorii trebuie amplasați într-o zonă bine ventilată!**

Instrucțiuni de siguranță privind alimentarea electrică



Verificați întotdeauna ca tensiunea de la alimentarea cu energie să corespundă tensiunii de pe plăcuța cu specificații.

- Nu utilizați aparatul în cazul în care cablul de alimentare sau ștecherul este deteriorat sau defect.
- Folosiți numai cabluri prelungitoare adecvate pentru puterea mașinii cu o grosime minimă

de 1,5 mm². Dacă utilizați o bobină de cablu de extensie, derulați întotdeauna complet cablul.

2. INFORMAȚII CU PRIVIRE LA MAȘINĂ

Domeniul de utilizare

Mașina este destinată uzului casnic, pentru tăierea și aranjarea arbuștilor și a tufișurilor la înălțime, utilizatorul fiind poziționat pe sol. Mașina nu este destinată utilizării pe o scară sau pe trepte. Mașina nu este destinată tăierii de iarbă și nu poate fi utilizată ca trimmer pentru iarbă. Această unealtă nu este potrivită pentru uz comercial sau industrial.

SPECIFICAȚII TEHNICE



Acest manual a fost realizat pentru diferite numere de seturi/articole. Verificați numărul articolului corespunzător în tabelul de specificații de mai jos pentru a vedea compoziția și conținutul exact al setului.

Nr. model	Acumulatori inclus	Încărcătoare inclus
HT503DC	-	-
S_ HT503DC	CD801AA	CD802AA
S2_ HT503DC	2 x CD801AA	CD802AA
S3_ HT503DC	CD803AA	CD802AA

Informații despre mașină	
Tensiune	20 V
Cursă fără sarcină	1200/min
Lungime lamă	36 cm
Deschidere dinte	23 mm
Reglare lungime	200-260cm
Nivelul presiunii acustice (LpA)	77,9 dB, k = 3 dB
Nivelul puterii sonore (LWA)	87,8 dB, k = 3 dB
LWA garantat	91 dB
Vibrație	Mâner frontal ah = 2,55m/s ²
	Mâner posterior ah = 2,48 m/s ²
	K = 1,5 m/s ²
Greutate	2,3 kg

Nr. model	CD801AA
Tip acumulator	Litiu ion
Tensiune	20 V
Capacitate	2,0 Ah
Încărcător recomandat	CD802AA
Greutate	0,3 kg

Nr. model	CD802AA
Intrare încărcător	220-240V, 50Hz 0,4A
Încărcător	21V 2,5A
Timp de încărcare acumulator 2Ah	60 minute
Timp de încărcare acumulator 4Ah	120 minute
Acumulatori recomandați	CD801AA, CD803AA
Greutate	0,36 kg

Nr. model	CD803AA
Tip acumulator	Litiu ion
Tensiune	20 V
Capacitate	4,0 Ah
Încărcător recomandat	CD802AA
Greutate	0,65 kg

Utilizați numai următoarele baterii ale platformei VONROC VPOWER 20V. Utilizarea altor baterii poate provoca vătămări corporale grave sau defectarea uneltei.

CD801AA 20 V, 2 Ah Litiu-Ion
CD803AA 20 V, 4 Ah Litiu-Ion

Următorul încărcător al dispozitivului poate fi utilizat pentru a încărca aceste baterii.
CD802AA Încărcător rapid

Bateriile platformei VONROC VPOWER 20V sunt interschimbabile cu toate uneltele VONROC VPOWER 20V.

DESCRIERE

Numerele din text se referă la diagramele de la paginile 2 - 5.

1. Cap trimmer pentru arbuști
2. Buton de reglare a capului

3. Inel de blocare a capului
4. Lamă trimmer pentru arbuști
5. Pârghie de blocare a mânerului
6. Întrerupător electric
7. Mâner telescopic
8. Conector alimentare
9. Curea de umăr
10. Carabină
11. Mâncă de protecție
12. Acumulator
13. Încărcător acumulator
14. Buton eliberare acumulator
15. Buton indicator cu LED pentru acumulator
16. Indicatori acumulator LED
17. Indicatori LED încărcător

3. ASAMBLAREA



Înainte de orice lucrare (întreținere, schimbare a uneltei, asamblare) la unealta electrică, îndepărtați acumulatorul din unealta electrică.



Înainte de prima utilizare, acumulatorul trebuie să fie încărcat.

Introducerea acumulatorului în mașină (Fig. B-1)

Asigurați-vă că exteriorul acumulatorului este curat și uscat înainte de a-l conecta la acumulator sau la mașină.

1. Introduceți acumulatorul (12) în suportul mașinii, așa cum este indicat în Fig. B-1.
2. Apăsați acumulatorul până când se fixează în poziție.

Scoaterea acumulatorului din mașină (Fig. B-1)

1. Apăsați butonul de eliberare a acumulatorului (14).
2. Scoateți acumulatorul din aparat, așa cum este indicat în Fig. B-1.

Verificarea nivelului de încărcare a acumulatorului (Fig. B-2)

- Pentru a verifica nivelul de încărcare a acumulatorului, apăsați scurt butonul (15) de pe acumulator.
- Acumulatorul este prevăzut cu 3 lumini care indică nivelul de încărcare, numărul de lumini aprinse semnifică gradul de încărcare a acumulatorului.

- Atunci când luminile sunt stinse, acest lucru semnifică faptul că acumulatorul este descărcat și trebuie încărcat imediat.

Încărcarea acumulatorului folosind încărcătorul (Fig. B-2)

1. Scoateți acumulatorul (12) din mașină.
2. Întoarceți invers acumulatorul (12) și împingeți-l în încărcător (13), așa cum este indicat în Fig. B-2.
3. Apăsați acumulatorul până când este introdus complet în locaș.
4. Conectați mufa încărcătorului la o priză electrică și așteptați o perioadă. Indicatorii LED de pe încărcător (17) se vor aprinde și vor indica nivelul de încărcare

Încărcătorul are 2 indicatoare LED (17) care indică starea procesului de încărcare:

LED roșu de stare	LED verde de stare	Stare încărcător
Oprit	Oprit	Fără alimentare
Oprit	Pornit	Mod de așteptare: - Nu este niciun acumulator introdus sau, - Acumulator introdus dar încărcarea s-a sfârșit
Pornit	Oprit	Încărcare acumulator în progres

- Încărcarea completă a acumulatorului de 2Ah poate dura până la 60 minute.
- Încărcarea completă a acumulatorului de 4Ah poate dura până la 120 minute.

După încărcarea completă a acumulatorului, scoateți mufa încărcătorului din priză și îndepărtați acumulatorul din încărcător.



Atunci când nu folosiți mașina, este indicat să depozitați acumulatorul în stare încărcată.

Ansamblul uneltei (Fig. C, D)

- Atașați cureaua de umăr (9) la catarama de la mâner (7), folosind carabina (10).
- Eliberați inelul de blocare a capului (3) rotindu-l în sens invers acelor de ceasornic. Nu îndepărtați complet inelul de la cap.

- Montați capul trimmerului pentru arbuști (1) la mânerul telescopic (7) prin introducerea conectorului de alimentare (8) în cap.
- În cazul în care conectorul (8) nu este introdus corespunzător, s-ar putea să nu existe conexiune electrică și unealta să nu funcționeze. Asigurați-vă că conectorul de alimentare este complet introdus în capul trimmerului pentru arbuști. Bulonul (18) de pe mâner trebuie să fie acoperit de capul trimmerului (1) și de inelul de blocare (3).
- Securizați capul trimmerului pentru arbuști (1) prin rotirea inelului de blocare (3) în sens orar



Nu fixați niciodată cureaua pe diagonală, peste umăr și piept, ci poziționați-o pe unul dintre umeri. Astfel, vă veți putea îndepărta rapid unealta de corp, în caz de pericol.

Reglarea înălțimii mânerului telescopic (Fig. E-1, E-2)

- Deblocați pârghia (5) pentru a elibera mânerul telescopic (7).
- Extindeți sau retrageți mânerul telescopic (7) la lungimea dorită.
- Securizați mânerul telescopic prin blocarea pârghiei (5).

Reglarea capului pivotant al trimmerului pentru arbuști

(Fig. F-1, F-2)

- Apăsăți butonul (2) de pe partea capului trimmerului pentru arbuști (1).
- Reglați capul în poziția dorită.
- Eliberați butonul (2) și asigurați-vă de fixarea capului.

4 OPERAREA

Înainte de utilizare (Fig. G)

Îndepărtați apărătoarea lamei (11) și lubrifiați lamele (4).

Pornirea și oprirea

Țineți întotdeauna trimmerul pentru arbuști cu ambele mâini. Țineți o mână pe mânerul telescopic (7) și o mână pe mânerul posterior din apropierea întrerupătorului electric. Apăsăți și mențineți întrerupătorul electric (6) pentru operarea mașinii. Dacă întrerupătorul electric este eliberat, mașina se va opri automat.

După utilizare

Ștergeți toată murdăria și resturile de pe lame (4), cu ajutorul unei perii sau a unei lavete. Lubrifiați lamele, montați apărătoarea lamei (11) și îndepărtați acumulatorul (12) înainte de depozitarea mașinii.

5. ÎNTREȚINEREA



Înainte de curățare și întreținere, opriți alimentarea electrică a mașinii și scoateți acumulatorul din mașină.

Curățați regulat carcasa cu o cârpă moale, de preferat după fiecare utilizare. Curățați fantele de aerisire de praf și murdărie. Îndepărtați murdăria persistentă cu o cârpă moale înmuiată în clăbuci de săpun. Nu utilizați solvenți precum benzină, alcool, amoniac etc. Astfel de substanțe chimice vor deteriora componentele sintetice.

Lamă de tăiere

- Purtați întotdeauna mănuși la manipularea sau curățarea lamei de tăiere.
- Curățați lama de tăiere și pulverizați-o cu ulei de protecție după fiecare utilizare. Vă recomandăm să ungeți lama de tăiere cu ulei de protecție la intervale regulate după perioade lungi de lucru.
- Verificați vizual starea lamei de tăiere. Verificați dacă buloanele sunt montate fix pe bara de tăiere.

Depozitarea

Trimmerul pentru arbuști trebuie păstrat într-un loc sigur, uscat, ferit de accesul copiilor. Nu așezați obiecte grele pe acestea.

MEDIU



Aparatele electrice sau electronice deteriorate și/sau defecte trebuie colectate în locurile de reciclare corespunzătoare.

Numai pentru țările din CE

Nu aruncați echipamentele acționate electric împreună cu gunoiul menajer. Conform Indicației europene 2012/19/CE pentru echipamente electrice și electronice uzate și a implementării sale la nivel național, echipamentele acționate electric scoase din uz trebuie colectate separat și evacuate într-o manieră ecologică.

GARANȚIE

Produsele VONROC sunt realizate la cele mai înalte standarde de calitate și sunt garantate în privința materialelor și a manoperei pentru întreaga perioadă de utilizare în garanție, începând cu data achiziției. În cazul în care produsul prezintă defecțiuni în perioada de garanție din cauza materialului defect și/sau a manoperei, contactați direct VONROC.

Următoarele circumstanțe sunt excluse de la această garanție:

- Reparațiile sau modificările care realizate sau care s-au încercat a fi efectuate de centre de service neautorizate;
- Uzura în condiții normale de utilizare;
- Unealta care a fost abuzată, utilizată într-un mod neglijent sau întreținută în mod inadecvat;
- Folosirea unor piese de schimb neoriginale.

Aceasta acoperă garanția companiei, explicită sau implicită. Nu există alte garanții explicite sau implicite care să se extindă dincolo de cele indicate aici, incluzând garanțiile, vandabilitatea sau adecvarea pentru un anumit scop. În nicio situație, VONROC nu este responsabil pentru daunele incidentale sau consecvențiale. Reparațiile efectuate de reprezentant trebuie să fie limitate la reparațiile sau la înlocuirea unităților sau a pieselor neconforme.

Produsul și manualul de utilizare pot suferi modificări. Specificațiile se pot modifica fără notificare prealabilă.

1. INSTRUȚIÕES DE SEGURANÇA

Leia os avisos de segurança fornecidos, os avisos de segurança adicionais e as instruções. O não cumprimento dos avisos de segurança e das instruções pode resultar em choque eléctrico, incêndio e/ou ferimentos graves. Guarde os avisos de segurança e as instruções para referência futura.

Os seguintes símbolos são utilizados no manual do utilizador ou no produto:



Leia o manual do utilizador.



Indica o risco de ferimentos, morte ou danos na ferramenta se as instruções indicadas neste manual não forem seguidas.



Risco de choque eléctrico.



Temperatura máx. de 45 °C.



Não deite a bateria no fogo.



Não coloque a bateria dentro de água.



Use protecção auricular.



Use óculos de segurança.



Não exponha à chuva.



Mantenha as mãos afastadas da lâmina.



Tenha cuidado aos objectos projectados.



Mantenha as outras pessoas afastadas.



Mantenha o produto afastado de cabos de alta tensão! Distância mínima de 10 metros.



Máquina de classe II - isolamento duplo - Não é necessária uma ficha de ligação à terra.



Fusível miniatura com desfasamento.



Recolha selectiva para bateria de iões de lítio.



Não elimine o produto em recipientes não adequados.



O produto está em conformidade com as normas de segurança aplicáveis nas directivas europeias.

AVISOS GERAIS DE SEGURANÇA SOBRE A FERRAMENTA ELÉCTRICA



AVISO! Leia todos os avisos de segurança e instruções. O não cumprimento dos avisos de segurança e as instruções podem resultar em choque eléctrico, incêndio e/ou ferimentos graves.

Guarde todos os avisos e instruções para referência futura.

O termo "ferramenta eléctrica" indicado nos avisos diz respeito à ferramenta eléctrica com alimentação pela rede (com fio) ou por bateria (sem fio).

1) Segurança na área de trabalho

- Mantenha a área de trabalho limpa e devidamente iluminada.** As áreas obstruídas ou escuras são propícias a acidentes.
- Não utilize ferramentas eléctricas em atmosferas explosivas, por exemplo, na presença de líquidos inflamáveis, gases ou poeiras.** As ferramentas eléctricas produzem faíscas que podem causar ignição de poeiras ou vapores.
- Quando utilizar uma ferramenta eléctrica, mantenha as crianças e transeuntes afastados.** As distrações podem causar perda de controlo.

2) Segurança eléctrica

- As fichas da ferramenta eléctrica devem corresponder à tomada. Nunca modifique, de forma alguma, a ficha. Não utilize quaisquer fichas adaptadoras com ferramentas eléctricas ligadas à terra (massa).** As fichas e tomadas correspondentes não modificadas reduzem o risco de choque eléctrico.
- Evite o contacto do corpo com superfícies ligadas à terra ou massa, como tubos, radiadores, fogões ou frigoríficos.** Há um maior risco de choque eléctrico se o corpo estiver ligado à terra ou à massa.

- Não exponha as ferramentas eléctricas à chuva ou a ambientes húmidos.** A entrada de água numa ferramenta eléctrica aumenta o risco de choque eléctrico.
- Não utilize o cabo para transportar, puxar ou desligar a ferramenta eléctrica. Mantenha o cabo afastado de fontes de calor, óleo, extremidades afiadas ou peças móveis.** Cabos danificados ou enrolados aumenta o risco de choque eléctrico.
- Quando utilizar uma ferramenta eléctrica no exterior, opte por uma extensão adequada para utilização no exterior.** A utilização de um cabo adequado para utilização no exterior reduz o risco de choque eléctrico.
- Se não for possível evitar trabalhar com uma ferramenta eléctrica num local húmido, utilize uma fonte de alimentação protegida por um dispositivo de corrente residual (DCR).** A utilização de um DCR reduz o risco de choque eléctrico.

3) Segurança eléctrica

- Esteja atento, preste atenção ao que está a fazer e tenha senso comum quando utilizar uma ferramenta eléctrica. Não utilize uma ferramenta eléctrica quando estiver cansado ou sob o efeito de drogas, álcool ou medicamentos.** Um momento de distração durante a utilização de ferramentas eléctricas pode resultar em ferimentos graves.
- Use equipamento de protecção individual. Use sempre protecção ocular.** O equipamento de protecção, como, por exemplo, máscara de poeiras, sapatos de segurança antiderrapantes, capacete de segurança ou protecção auditiva, utilizado nas condições adequadas, reduz o risco de ferimentos.
- Evite accionamentos acidentais. Assegure-se de que o gatilho está desligado antes de ligar a ferramenta à corrente eléctrica e/ou as baterias e antes de levantar ou transportar a ferramenta.** O transporte de ferramentas eléctricas com o dedo colocado no interruptor ou a ligação à corrente das ferramentas eléctricas com o interruptor ligado pode dar origem a acidentes.
- Retire eventuais chaves de ajuste ou chaves de fendas antes de ligar a ferramenta eléctrica.** Uma chave de fenda ou de ajuste montada numa peça rotativa da ferramenta eléctrica pode causar ferimentos.

- e) **Não tente chegar a pontos fora do alcance. Mantenha-se sempre numa posição firme e bem equilibrada.** Desta forma, será mais fácil controlar a ferramenta eléctrica em situações inesperadas.
- f) **Use vestuário adequado. Não use roupa larga ou jóias. Mantenha o cabelo, a roupa e as jóias afastados das peças móveis.** As roupas largas, as jóias ou o cabelo comprido podem ficar presos nestas peças.
- g) **Se for prevista a montagem de dispositivos de extracção e recolha de poeiras, assegure-se de que estão ligados e que são utilizados de forma correcta.** A utilização de dispositivos de extracção de poeiras pode reduzir os riscos inerentes.
- h) **Não permita que a familiaridade obtida através do uso frequente de ferramentas faça com que seja complacente e ignore os princípios de segurança da ferramenta.** Uma acção irreflectida pode causar ferimentos graves numa fracção de segundos.
- 4) Utilização e cuidados a ter com a ferramenta com baterias**
- a) **Não sobrecarregue a ferramenta eléctrica. Utilize a ferramenta eléctrica correcta para o seu trabalho.** A ferramenta eléctrica adequada efectua o trabalho de maneira mais eficiente e segura se for utilizada de acordo com a capacidade para a qual foi concebida.
- b) **Não utilize a ferramenta eléctrica se não conseguir ligar ou desligar o gatilho.** Qualquer ferramenta eléctrica que não possa ser controlada através do gatilho é perigosa e tem de ser reparada.
- c) **Retire a ficha da fonte de alimentação e/ou a bateria da ferramenta eléctrica antes de efectuar quaisquer ajustes, substituir acessórios ou guardar ferramentas eléctricas.** Estas medidas de segurança preventivas reduzem o risco de ligar a ferramenta eléctrica acidentalmente.
- d) **Mantenha as ferramentas eléctricas que não estiverem a ser utilizadas fora do alcance das crianças. Não permita que a ferramenta eléctrica seja utilizada por pessoas não familiarizadas com a mesma ou que não tenham lido estas instruções.** As ferramentas eléctricas são perigosas nas mãos de pessoas que não possuem as qualificações necessárias para manuseá-las.
- e) **Faça a manutenção das ferramentas eléctricas. Verifique se as peças móveis da ferramenta eléctrica estão alinhadas e não emperram, bem como se existem peças partidas ou danificadas ou quaisquer outras condições que possam afectar o funcionamento da mesma. Se a ferramenta eléctrica estiver danificada, esta não deve ser utilizada até que seja reparada.** Muitos acidentes têm como principal causa ferramentas eléctricas com uma manutenção insuficiente.
- f) **Mantenha as ferramentas de corte afiadas e limpas.** As ferramentas de corte sujeitas a uma manutenção adequada, com arestas de corte afiadas, bloqueiam com menos frequência e controlam-se com maior facilidade.
- g) **Utilize a ferramenta eléctrica, os acessórios e as peças de ferramenta, etc., de acordo com estas instruções, considerando as condições de trabalho e a tarefa a ser executada.** A utilização da ferramenta eléctrica para fins diferentes dos previstos pode resultar em situações perigosas.
- h) **Mantenha as pegas e as superfícies de fixação secas, limpas e sem óleo e gordura.** As pegas escorregadias e as superfícies de fixação não permitem o manuseamento seguro e o controlo da ferramenta em situações imprevistas.
- 5) Utilização e cuidados a ter com a ferramenta com baterias**
- a) **Recarregue apenas com o carregador especificado pelo fabricante.** Um carregador adequado para um tipo de bateria pode causar um incêndio se for utilizado com outra bateria.
- b) **Utilize apenas ferramentas eléctricas que tenham baterias especificamente concebidas.** A utilização de outro tipo de baterias pode causar ferimentos e incêndio.
- c) **Quando não utilizar a bateria, mantenha-a afastada de outros objectos metálicos, tais como cliques para papel, moedas, chaves, pregos, parafusos ou outros pequenos objectos metálicos que permitam fazer a ligação entre um terminal e outro.** O curto-circuito dos terminais da bateria pode causar queimaduras ou um incêndio.
- d) **Em condições abusivas, pode derramar líquido da bateria, devendo evitar o contacto. Se tocar acidentalmente no líquido, lave bem com água. Se o líquido entrar em contacto com os olhos, consulte um médico.** O líquido derramado da bateria pode causar irritação ou queimaduras.
- e) **Não utilize baterias ou ferramentas danificadas ou modificadas.** As baterias danificadas

ou modificadas podem ter um comportamento inesperado, resultando em incêndio, explosão ou risco de ferimentos.

- f) **Não exponha as baterias ou as ferramentas a fogo ou a temperaturas excessivas.** A exposição a fogo ou a temperaturas superiores a 130 °C podem causar uma explosão. NOTA: a temperatura “130 °C” pode ser substituída pela temperatura “265 °F”.
 - g) **Siga todas as instruções de carregamento e não carregue a bateria ou a ferramenta fora do intervalo de temperaturas especificado nas instruções.** O carregamento inadequado ou de acordo com temperaturas fora do intervalo especificado pode danificar a bateria e aumentar o risco de incêndio.
- 6) Assistência**
- a) **A sua ferramenta eléctrica só deve ser reparada por pessoal qualificado e só devem ser utilizadas peças sobressalentes idênticas.** Desta forma, é garantida a segurança da ferramenta eléctrica.
 - b) **Nunca repare baterias danificadas.** A reparação de baterias deve ser efectuada apenas pelo fabricante ou fornecedores de assistência autorizados.

AVISOS DE SEGURANÇA RELACIONADOS COM O CORTA-SEBES

- a) **Mantenha todas as partes do corpo afastadas da lâmina. Não retire o material cortado nem segure no material a cortar quando as lâminas estiverem a rodar.** As lâminas continuam a rodar depois do interruptor ser desligado. Um momento de distração durante a utilização do corta-sebes pode resultar em ferimentos graves.
- b) **Transporte o corta-sebes pela pega quando a lâmina parar e tenha atenção para não carregar no interruptor de alimentação.** O transporte adequado do corta-sebes reduz o risco de arranque involuntário e de ferimentos causados pelas lâminas.
- c) **Quando transportar ou guardar o corta-sebes, coloque sempre a cobertura da lâmina.** O manuseamento adequado do corta-sebes reduz o risco de ferimentos causados pelas lâminas.
- d) **Quando retirar material encravado ou reparar a unidade, certifique-se de que todos os interruptores de alimentação estão desligados**

- e que a bateria for retirada ou desligada.** Um arranque inesperado do corta-sebes durante a remoção de material encravado ou as tarefas de reparação podem causar ferimentos.
- e) **Segure no corta-sebes apenas pelas superfícies de fixação, porque a lâmina pode entrar em contacto com cablagem escondida.** O contacto das lâminas com um fio com tensão eléctrica pode fazer com que as peças de metal expostas do corta-sebes conduzam electricidade e electrocutem o operador.
- f) **Mantenha todos os cordões e cabos de alimentação afastados da área de corte.** Os cordões e cabos de alimentação podem estar escondidos em sebes ou arbustos e podem ser cortados acidentalmente pela lâmina.
- g) **Não utilize o corta-sebes em condições atmosféricas desfavoráveis, em especial se houver o risco de relâmpagos.** Isto reduz o risco de ser atingido por um relâmpago.

AVISOS DE SEGURANÇA RELACIONADOS COM O CORTA-SEBES DE MAIOR ALCANCE

- a) **Para reduzir o risco de electrocussão, nunca utilize o corta-sebes de maior alcance perto de cabos eléctricos.** O contacto ou a utilização perto de cabos eléctricos pode causar ferimentos graves ou choque eléctrico e ter consequências fatais.
- b) **Quando utilizar o corta-sebes de maior alcance, segure-o sempre com as duas mãos.** Segure no corta-sebes de maior alcance com as duas mãos para evitar a perda de controlo.
- c) **Quando utilizar o corta-sebes de maior alcance em altura, segure-o sempre com as duas mãos.** Os resíduos que caírem podem causar ferimentos graves.

AVISOS ADICIONAIS DE SEGURANÇA

- a) **Esta ferramenta não é concebida para utilização por pessoas (incluindo crianças) com capacidades físicas, sensoriais ou mentais reduzidas ou com falta de experiência e conhecimentos, a menos que tenham recebido supervisão ou instruções relacionadas com a utilização do equipamento por uma pessoa responsável pela sua segurança.** As crianças devem estar acompanhadas, para garantir que não brincam com o equipamento.
- b) **Quando utilizar a máquina, segure-a sempre com firmeza com ambas as mãos e coloque-**

- se numa posição com firmeza. A ferramenta eléctrica é orientada de maneira mais firme com ambas as mãos.
- c) **Quando utilizar a máquina, certifique-se sempre de que todas as pegas e protecções estão instaladas.** Nunca tente utilizar uma máquina incompleta ou uma máquina que tenha montada de acordo com uma modificação não autorizada.
 - d) **Antes de utilizar o equipamento, lubrifique sempre a lâmina de corte com um spray de protecção.**
 - e) **Aguarde sempre até a máquina parar por completo antes de pousá-la.**
 - f) **Quando a máquina estiver a ser utilizada, as outras pessoas e animais devem manter-se a uma distância de 3 metros ou mais.** O operador é responsável por terceiros na área de trabalho.
 - g) **Nunca segure pela lâmina do corta-sebes.**
 - h) **As crianças ou pessoas não familiarizadas com estas instruções não devem utilizar o corta-sebes.** Os regulamentos locais podem restringir a idade do operador.
 - i) **Nunca corte uma sebe perto de pessoas, em especial crianças ou animais de estimação.**
 - j) **O utilizador é responsável por acidentes ou riscos que ocorram noutras pessoas ou propriedade.**
 - k) **Não utilize o corta-sebes se estiver descalço ou estiver a usar sandálias abertas, use sempre calçado robusto e calças compridas.** É recomendável usar luvas robustas, calçado anti-derrapante e óculos de segurança. Não use jóias ou roupa solta; podem ficar presas nas peças móveis.
 - l) **Inspeccione com muita atenção a área onde o corta-sebes vai ser utilizado e retire todos os fios e outros objectos estranhos.**
 - m) **Antes de utilizar o equipamento, verifique se as lâminas de corte, parafusos da lâmina e o conjunto de corte apresentam sinais de desgaste ou danos.** Não utilize o equipamento com um dispositivo de corte danificado ou demasiado gasto.
 - n) **Saiba como parar o corta-sebes de imediato numa situação de emergência.**
 - o) **Só deve cortar arbustos durante o dia ou se houver luz artificial adequada.**
 - p) **Nunca utilize o corta-sebes com protecções defeituosas ou sem a protecção instalada.**
 - q) **Nunca segure no corta-sebes pela protecção.**
 - r) **Quando utilizar o corta-sebes, mantenha-se sempre numa posição firme e bem equilibrada.**
 - s) **Esteja sempre atento à área em redor e preste atenção a possíveis riscos que possa não ouvir durante a utilização do corta-sebes.**
 - t) **Mantenha todas as porcas, cavilhas e parafusos apertados para garantir que o corta-sebes está em boas condições de funcionamento.**
 - u) **O corta-sebes deve ser armazenado num local seco, elevado ou trancado fora do alcance das crianças.**
 - v) **Por motivos de segurança, substitua as peças gastas ou danificadas.**
 - w) **Só deve reparar a máquina se estiver devidamente qualificado.**
 - x) **Segure no produto com ambas as mãos.**
- AVISOS DE SEGURANÇA SOBRE A BATERIA**
- a) **Não abra a bateria.** Perigo de curto-circuito.
 - b) **Proteja a bateria do calor, por exemplo, contra exposição contínua a luz solar, fogo, água e humidade.** Perigo de explosão.
 - c) **Em caso de danos e uso inadequado da bateria, podem ser emitidos vapores.** Ventile a área e contacte um médico se houver queixas. Os vapores podem irritar o sistema respiratório.
 - d) **Utilize a bateria em conjunto com o seu produto industrial da Vonroc.** Esta é a única protecção contra sobrecarga perigosa.
 - e) **A bateria pode ser perfurada por objectos danificados como pregos ou chaves de parafusos ou se for aplicada força externa.** Pode ocorrer um curto-circuito interno e a bateria pode queimar, causar fumo, explodir ou sobreaquecer.
- AVISOS DE SEGURANÇA SOBRE O CARREGADOR**
- Utilização pretendida**
- Deve utilizar apenas as baterias recarregáveis CD801AA e CD803AA no carregador. Outros tipos de baterias podem rebentar, causando ferimentos e danos.
- a) **O equipamento não deve ser utilizado por pessoas (incluindo crianças) com capacidades físicas, sensoriais ou mentais reduzidas ou com falta de experiência e conhecimentos, a menos que tenham supervisão ou instrução.**
 - b) **As crianças devem ser vigiadas, para que não brinquem com o equipamento.**
 - c) **Não recarregue pilhas não recarregáveis!**

d) Durante o processamento de carregamento, as baterias devem ser colocadas em locais bem ventilados!

Segurança eléctrica



Verifique sempre se a tensão da fonte de alimentação corresponde à tensão na placa sinalética.

- Não utilize a máquina se o cabo de alimentação ou a ficha estiver danificada.
- Utilize apenas extensões que sejam adequadas para a potência nominal da máquina com uma espessura mínima de 1,5 mm². Se utilizar um enrolador de extensão, desenrole sempre o cabo por completo.

2. INFORMAÇÕES SOBRE A MÁQUINA

Utilização pretendida

A máquina é concebida para utilização doméstica, cortar e aparar sebes e arbustos a uma altura elevada, com o utilizador situado ao nível do solo. A máquina não é concebida para ser utilizada numa escada ou escadote. A máquina não é concebida para cortar relva e não pode ser utilizada como aparador de relva. Esta ferramenta não é concebida para uso comercial ou industrial.

ESPECIFICAÇÕES TÉCNICAS




Este manual foi elaborado para conjuntos/ números de artigos diferentes. Verifique o número do artigo correspondente na tabela de especificações indicada abaixo para obter a composição e conteúdos correctos do seu conjunto.

Modelo n.º	Baterias incluídas	Carregadores incluídos
HT503DC	-	-
S_HT503DC	CD801AA	CD802AA
S2_HT503DC	2 CD801AA	CD802AA
S3_HT503DC	CD803AA	CD802AA

Informações sobre a máquina	
Tensão	20 V
Frequência em vazio	1200/min
Comprimento da lâmina	36 cm
Abertura dos dentes	23 mm
Regulação em comprimento	200 - 260 cm
Nível de pressão sonora (LpA)	77,9dB, K = 3 dB
Nível de potência sonora (LWA)	87,8dB, K = 3 dB
LWA garantido	91 dB
Vibração	pega dianteira ah = 2,55 m/s ²
	pega traseira ah = 2,48 m/s ²
	K = 1,5 m/s ²
Peso	2,3 kg

Modelo n.º	CD801AA
Tipo de bateria	lões de lítio
Tensão	20 V
Capacidade	2,0 Ah
Carregador recomendado	CD802AA
Peso	0,3 kg

Modelo n.º	CD802AA
Entrada do carregador	220 - 240 V, 50 Hz, 0,4 A
Saída do carregador	21 V 2,5 A
Tempo de carregamento de uma bateria de 2 Ah	60 minutos
Tempo de carregamento de uma bateria de 4 Ah	120 minutos
Baterias recomendadas	CD801AA, CD803AA
Peso	0,36 kg

Modelo n.º	CD803AA
Tipo de bateria	Iões de lítio
Tensão	20 V 
Capacidade	4,0 Ah
Carregador recomendado	CD802AA
Peso	0,65 kg

Utilize apenas as seguintes baterias da plataforma de baterias VONROC VPOWER, 20 V. A utilização de quaisquer outras baterias podem causar ferimentos graves ou danos na ferramenta.

CD801AA Iões de lítio, 20 V, 2 Ah

CD803AA Iões de lítio, 20 V, 4 Ah

O seguinte carregador pode ser utilizado para carregar estas baterias.

CD802AA Carregador rápido

As baterias da plataforma de baterias VPOWER de 20 V da VONROC podem ser utilizadas com todas as ferramentas da plataforma de baterias VPOWER de 20 V da VONROC.

DESCRIÇÃO

Os números indicados no texto dizem respeito aos diagramas indicados nas páginas 2 a 5.

1. Cabeça do corta-sebes
2. Botão de regulação da cabeça
3. Anel de bloqueio da cabeça
4. Lâmina do corta-sebes
5. Alavanca de fixação da pega
6. Interruptor de alimentação
7. Pega telescópica
8. Conector de alimentação
9. Alça de ombro
10. Mosquetão
11. Manga de protecção
12. Bateria
13. Carregador da bateria
14. Patilha de libertação da bateria
15. Botão dos indicadores LED da bateria
16. Indicadores LED da bateria
17. Indicadores LED do carregador

3. MONTAGEM



Antes de efectuar qualquer tarefa (manutenção, substituir a ferramenta, montagem) na ferramenta eléctrica, retire a bateria da ferramenta eléctrica.



A bateria deve ser carregada antes de utilizá-la pela primeira vez.

Inserir a bateria na máquina (Fig. B-1)

A parte exterior da bateria deve estar limpa e seca antes de ligá-la ao carregador ou máquina.

1. Insira a bateria (12) na base da máquina, como indicado na Fig. B-1.
2. Empurre a bateria ainda mais até encaixar no respectivo local.

Retirar a bateria da máquina (Fig. B-1)

1. Carregue na patilha de libertação da bateria (14).
2. Retire a bateria da máquina, como indicado na Fig. B-1.

Verificar o estado da carga da bateria (Fig. B-2)

- Para verificar o estado de carga da bateria, prima ligeiramente o botão (15) na bateria.
- A bateria tem 3 indicadores luminosos que indicam o nível de carga. Quanto maior for o número de luzes que se acenderem, maior é a carga restante na bateria.
- Se os indicadores luminosos não se acenderem, isso significa que a bateria não tem carga e que deve carregá-la de imediato.

Carregar a bateria com o carregador (Fig. B-2)

1. Retire a bateria (12) da máquina.
2. Vire a bateria (12) ao contrário e encaixe-a dentro do carregador (13) como indicado na Fig. B-2.
3. Empurre a bateria até ficar totalmente encaixada na ranhura.
4. Ligue a ficha do carregador numa tomada eléctrica e aguarde alguns instantes. Os indicadores LED no carregador (17) acendem-se e mostram o estado do carregador

O carregador tem 2 indicadores LED (17) que mostram o estado do processo de carregamento:

Estado do LED vermelho	Estado do LED verde	Estado do carregador
Desligado	Desligado	Sem energia
Desligado	Ligado	Modo de espera: - A bateria não foi inserida ou - a bateria foi inserida, mas o carregamento foi concluído
Ligado	Desligado	Carregamento da bateria em curso

- O carregamento total da bateria de 2 Ah pode demorar até cerca de 60 minutos.
- O carregamento total da bateria de 4 Ah pode demorar até cerca de 120 minutos.

Quando a bateria estiver totalmente carregada, retire a ficha do carregador da tomada e retire a bateria do carregador.



Se não utilizar a máquina durante um período de tempo mais prolongado, é aconselhável armazenar a bateria no estado carregado.

Montagem da ferramenta (Fig. C, D)

- Coloque a alça de ombro (9) no laço da pega (7) com o mosquetão (10).
- Liberte o anel de bloqueio da cabeça (3) rodando-o para a esquerda. Não retire o anel da cabeça por completo.
- Instale a cabeça do corta-sebes (1) na pega telescópica (7), inserindo o conector de alimentação (8) na cabeça.
- Se o conector (8) não for inserido correctamente, pode não haver ligação eléctrica e a ferramenta não funciona. Certifique-se de que o conector de alimentação está totalmente inserido na corta-sebes. O parafuso (18) na pega deve ser tapado pela cabeça do aparador (1) e o anel de bloqueio (3).
- Fixe a cabeça do corta-sebes (1), rodando o anel de fixação (3) para a direita



Nunca aperte o cinto na diagonal ao longo do ombro e peito, coloque-o num dos

ombros. Assim pode retirar rapidamente a ferramenta do seu corpo em caso de perigo.

Regular a altura telescópica (Fig. E-1, E-2)

- Desbloqueie a alavanca (5) para libertar a pega telescópica (7).
- Estique ou recolha a pega telescópica (7) para o comprimento pretendido.
- Para fixar a pega telescópica, bloqueie a alavanca (5).

Regular a cabeça do corta-sebes articulado (Fig. F-1, F-2)

- Carregue no botão (2) na parte lateral da cabeça do corta-sebes (1).
- Regule a cabeça para a posição pretendida.
- Liberte o botão (2) e certifique-se de que a cabeça está bloqueada no respectivo local.

4. FUNCIONAMENTO

Antes de utilizar (Fig. G)

Retire a protecção da lâmina (11) e lubrifique as lâminas (4).

Ligar e desligar

Segure sempre no corta-sebes com ambas as mãos. Agarre na pega telescópica (7) com uma mão e coloque a outra mão perto do interruptor de alimentação. Prima e mantenha premido o interruptor de alimentação (6) para utilizar a máquina. Quando o interruptor de alimentação é libertado, a máquina pára automaticamente.

Após a utilização

Limpe a sujidade e os resíduos das lâminas (4) com uma escova ou um pano. Lubrifique as lâminas, coloque o resguardo da lâmina (11) e retire a bateria (12) antes de guardar a máquina.

5. MANUTENÇÃO



Antes de efectuar a limpeza e a manutenção, desligue sempre a máquina e retire a bateria da máquina.

Limpe a caixa da máquina com regularidade com um pano macio, de preferência após cada utilização. Certifique-se de que as aberturas de ventilação não têm pó ou sujidade. Retire a sujidade

muito persistente com um pano macio humedecido com água de sabão. Não utilize solventes, como gasolina, álcool, amoníaco, etc. Este tipo de produtos químicos danificam os componentes sintéticos.

Lâmina de corte

- Use sempre luvas quando manusear ou limpar a lâmina de corte.
- Limpe a lâmina de corte e pulverize com um óleo de protecção após cada utilização. Recomendamos a lubrificação da lâmina de corte com um óleo de protecção a intervalos frequentes durante períodos de trabalho mais extensos.
- Inspeccione o estado da lâmina de corte. Verifique se os parafusos estão apertados com firmeza na barra de corte.

Armazenamento

O corta-sebes deve ser guardado num local seguro e seco, bem afastado do alcance das crianças. Não coloque outros objectos em cima das ferramentas.

AMBIENTE



Os equipamentos eléctricos ou electrónicos defeituosos e/ou eliminados devem ser recolhidos em locais de reciclagem adequados.

Apenas para os países da CE

Não elimine as ferramentas eléctricas em conjunto com os resíduos domésticos. De acordo com a directiva europeia 2012/19/CE sobre resíduos de equipamentos eléctricos e electrónicos e a respectiva implementação na legislação nacional, as ferramentas eléctricas que já não sejam utilizadas devem ser recolhidas em separado e eliminadas de maneira ecológica.

GARANTIA

Os produtos da VONROC são desenvolvidos de acordo com os padrões de qualidade mais elevados e não apresentam quaisquer defeitos em termos de materiais e mão-de-obra em relação ao período estipulado por lei, cujo início é a partir da data de compra original. Se o produto apresentar qualquer falha durante este período devido a qualquer defeito no material e/ou de mão-de-obra, contacte a VONROC directamente.

As seguintes circunstâncias estão excluídas desta garantia:

- Se forem efectuadas ou tentadas quaisquer reparações e/ou alterações na máquina por centros de assistência não autorizados;
- Desgaste normal;
- Se a ferramenta foi utilizada de maneira abusiva, indevida ou a manutenção for efectuada de maneira incorrecta;
- Se forem utilizadas peças sobresselentes não originais.

Isto constitui a única garantia feita pela empresa, de maneira expressa ou implícita. Não existem quaisquer outras garantias expressas ou implícitas que se prolonguem, incluindo as garantias implícitas de comercialização e adequação para fins específicos. A VONROC não será, em nenhuma circunstância, responsável por danos incidentais ou indirectos. Os fornecedores devem estar limitados a reparar ou substituir as unidades ou peças que não estejam em conformidade.

O equipamento e o manual do utilizador estão sujeitos a alterações sem aviso prévio. As especificações podem ser alteradas sem aviso prévio.

1. BIZTONSÁGI UTASÍTÁSOK

Olvassa el az összes mellékelt biztonsági figyelmeztetést. A figyelmeztetések és utasítások be nem tartása áramütéshez, tűz keletkezéséhez vagy akár súlyos személyi sérüléshez vezethet. Őrizze meg a biztonsági figyelmeztetéseket és utasításokat későbbre is.

A használati útmutatóban és a terméken a következő jelölésekkel találkozhat:



Olvassa el a használati útmutatót.



Jelzi a személyi sérülések, az életveszély vagy a szerszám károsodásának veszélyét.



Áramütés veszélye.



Max 45°C

Max hőmérséklet 45°C.



Az akkumulátort tűzbe dobni tilos.



Az akkumulátort vízbe dobni tilos.



Vegyen fel fejvédő eszközt.



Viseljen biztonsági szemüveget.



Esőtől védje.



Kezeit tartsa távol a vágókéstől.



Ügyeljen a felépített tárgyakra. Tartsa távol a nézelődőket.



Tartsa távol a terméket a nagyfeszültségű vezetékektől! Minimális távolság 10 méter.



II. osztályú gép - Dupla szigetelés - Nincs szükség dugóra.



T3,15A

Késleltető miniatűr olvadóbetét.



Li-Ion

Li-ion akkumulátor szelektív gyűjtése.



A terméket hulladékként ne tegye arra nem alkalmas konténerbe.



A termék megfelel az európai irányelvek releváns biztonsági követelményeinek.

AZ ELEKTROMOS SZERSZÁMOKRA VONATKOZÓ ÁLTALÁNOS BIZTONSÁGI FIGYELMEZTETÉSEK



FIGYELMEZTETÉS! Olvasson el minden biztonsági figyelmeztetést és utasítást. A figyelmeztetések és utasítások be nem tartása áramütést, tüzet és/vagy súlyos sérülést okozhat.

Az összes figyelmeztetést és utasítást őrizze meg, mert később még szüksége lehet rájuk.

A figyelmeztetésekben szereplő „elektromos szerszám” kifejezés az Ön hálózatról működő (vezetékes) elektromos szerszámára vagy akkumulátorral működő (vezeték nélküli) elektromos szerszámára utal.

1) A munkaterület biztonsága

- Gondoskodjon a munkaterület tisztaságáról és megfelelő megvilágításáról.** A rendezetlen és sötét területeken valószínűbb a balesetek előfordulása.
- Ne használja az elektromos szerszámokat robbanásveszélyes légtérben, például ahol gyúlékony folyadékok, gázok vagy por vannak jelen.** Az elektromos szerszámok használata során keletkező szikra lángra lobbanthatja a port és füstöt.
- Az elektromos szerszám használata során a gyermekeket és a közelben tartózkodó személyeket tartsa távol a munkaterülettől.** Ha valami eltereli a figyelmét, elveszítheti az irányítást.

2) Elektromos biztonság

- Az elektromos szerszám dugóinak megfelelőnek kell lenniük az aljzathoz. Soha ne próbálja semmilyen módon módosítani a dugót. Földelt elektromos szerszámhoz ne használjon semmilyen adapterdugót.** Az eredeti (értsd: módosítás nélküli) dugók és megfelelő hálózati aljzatok használatával mérsékelhető az elektromos áramütés veszélye.
- Ügyeljen arra, hogy teste ne érintkezzen földelt felületekkel, például csővezetékekkel, radiátor-**

- ral, tűzhellyel vagy hűtőszekrényel.** Ha teste földelődik, megnő az áramütés kockázata.
- c) **Óvja az elektromos szerszámokat az esőtől és nedves környezettől.** Az elektromos szerszám-ba kerülő víz növeli az elektromos áramütés veszélyét.
- d) **Ne használja helytelenül (nem előírászerűen) a kábelt. A kábelt soha ne használja az elektromos szerszám hordozására, húzására vagy az aljzathól történő kihúzására. A kábelt tartsa távol hőforrásoktól, olajtól, hegyes élektől és mozgó alkatrészekről.** A sérült vagy megrepedett kábelek növelik az elektromos áramütés veszélyét.
- e) **Az elektromos szerszám kültéri használata esetén kültéri használatra alkalmas hosszabító kábelt használjon.** A kültéri használatra alkalmas kábel használatával mérsékelhető az elektromos áramütés veszélye.
- f) **Ha az elektromos szerszámot mindenképpen nedves környezetben kell használni, akkor használjon áramvédő kapcsolóval (RCD) ellátott tápforrást.** Az áramvédő kapcsolóval ellátott tápforrás használatával mérsékelhető az elektromos áramütés veszélye.
- 3) Személyi biztonság**
- a) **Az elektromos szerszám használata során maradjon éber, koncentráljon az éppen végzett műveletre és használja a józan ítélőképességét. Ha fáradt, vagy ha kábítószert, alkoholt vagy gyógyszer hatása alatt áll, ne használjon elektromos szerszámot.** Az elektromos szerszámok használata közben egyetlen pillanatnyi figyelmetlenség is súlyos személyi sérülést okozhat.
- b) **Használjon egyéni védőfelszerelést. Mindig viseljen szemvédő felszerelést.** A megfelelő körülményekhez való védőeszközökkel (például pormaszkkal, csúszásgátló biztonsági cipővel, munkavédelmi sisakkal vagy hallásvédő eszközzel) csökkenthető a személyi sérülések kockázata.
- c) **Gondoskodjon a gép véletlen elindulásának a megelőzéséről. A szerszám tápforráshoz és/vagy akkumulátorcsomaghoz történő csatlakoztatása, kézbevétele vagy hordozása előtt győződjön meg róla, hogy a kapcsoló OFF (kikapcs.) állásban van.** Ha úgy hordozza az elektromos szerszámot, hogy az ujjja a kapcsolón van, vagy úgy helyezi feszültség alá, hogy a kapcsolója ON (bekapcs.) helyzetben van, ez növeli a balesetek kockázatát.
- d) **Az elektromos szerszám bekapcsolása előtt távolítsa el a csavarkulcsokat vagy beállító kulcsokat.** Az elektromos szerszám forgó alkatrészein felejtett csavarkulcs vagy beállító kulcs személyi sérülést okozhat.
- e) **Ne próbáljon túlnyújtóztatni vagy kitekeredett testhelyzetben dolgozni. Mindig két lábbal, egyensúlyát megtartva álljon a talajon.** Így könnyebben tudja irányítani az elektromos szerszámot a váratlan helyzetekben.
- f) **Viseljen megfelelő öltözetet. Ne viseljen laza ruhát vagy ékszert. Haját, ruháját és kesztyűjét tartsa távol a mozgó alkatrészekről.** A mozgó alkatrészek behúzhatják a ruhákat, az ékszereket és a hosszú haját.
- g) **Ha a szerszámhoz porszívó és porgyűjtő eszköz is lehet csatlakoztatni, akkor gondoskodjon ezek csatlakoztatásáról és megfelelő használatáról.** A porgyűjtő rendszerek használatával csökkenthetők a porral kapcsolatos veszélyek.
- h) **Ne engedje, hogy a szerszámok gyakori használata során szerzett tapasztalatai túlzott biztonságérzetet keltsenek Önben, és amiatt elhanyagolja a biztonsági alapelveket.** A gondatlan cselekvés már a másodperc törtrésze alatt is súlyos sérülést okozhat.
- 4) Az elektromos szerszám használata és ápolása**
- a) **Az elektromos szerszámot tilos túlzott erőfeszítéssel használni. Az alkalmazási célnak megfelelő elektromos szerszámot használjon.** A megfelelő elektromos szerszám biztonságosabban és hatékonyabban végzi a munkát azon a fordulatszámokon, amire azt tervezték.
- b) **Ne használja az elektromos szerszámot, ha az nem kapcsolható be/ki a főkapcsolóval.** Bármely elektromos szerszám veszélyes lehet, amit a kapcsolóval nem lehet irányítani, ezért az ilyen elektromos szerszámot meg kell javíttatni.
- c) **Vállassza le a dugót a tápforrásról és/vagy az akkumulátorcsomagot az elektromos szerszámról, mielőtt bármilyen módosítást végez, tartozékot cserél vagy eltávolítja az elektromos szerszámot.** Ezekkel a megelőző biztonsági intézkedésekkel csökkenthető az elektromos szerszám véletlen elindulásának a kockázata.
- d) **A használaton kívüli elektromos szerszámot olyan helyen tárolja, ahol gyermekek nem férhetnek hozzá; ne engedje, hogy olyan szemé-**

lyek használják, akik az elektromos szerszámot és ezeket az utasításokat nem ismerik. Az elektromos szerszámok rendkívül veszélyesek lehetnek szakképzetlen felhasználók kezeiben.

- e) **Tartsa karban az elektromos szerszámokat. Ellenőrizze, hogy a mozgó alkatrészek nem állítódtak-e el vagy nem szorulnak-e, nincsenek-e a szerszámon törött alkatrészek, és nem állnak-e fenn olyan körülmények, amelyek befolyásolhatják a szerszám működését. Ha az elektromos szerszám sérült, használat előtt javíttassa meg.** A nem megfelelően karbantartott elektromos szerszámok számos balesetet okoznak.
- f) **Tartsa élesen és tisztán a vágószerszámokat.** A megfelelően karbantartott, éles vágószerszámok beszorulásának kisebb a valószínűsége, ráadásul könnyebben irányíthatók.
- g) **Az elektromos szerszámot, tartozékokat és szerszámszárakat stb. a használati útmutatónak megfelelően használja, a munkakörülmények és az elvégzendő feladat figyelembevételével.** Ha az elektromos szerszámot a rendeltetési céljától eltérően használják, ez veszélyhelyzetet teremthet.
- h) **Tartsa a fogantyúkat és egyéb markolási felületeket szárazon, tisztán, olajtól és zsírtól mentesen.** Váratlan helyzetekben a csúszós fogantyúk és egyéb markolási felületek akadályozzák a szerszám biztonságos kezelését és irányítását.
- 5) **Az akkumulátoros szerszám használata és ápolása**
 - a) **Újratöltéshez csak a gyártó által megjelölt töltőt használja.** Az egyik akkumulátorhoz megfelelő töltő másikat töltővel használva tűzveszélyes lehet.
 - b) **Csak a kifejezetten hozzájuk készült akkumulátorral használja az elektromos szerszámokat.** Bármilyen másfajta akkumulátor használata tűz- és balesetveszélyt idézhet elő.
 - c) **Amikor az akkumulátor nincs használatban, óvja olyan más fém tárgytól, mint a gémkapocs, a pénzérme, kulcs, szög, csavar és más kis fém tárgyak, amely a két kapcsot össze képes kötni.** Az akkumulátor kapcsok rövidre zárása égési sérülést vagy tüzet okozhat.
 - d) **Nem előírászerű körülmények között az akkumulátorból folyadék szivároghat; kerülje a vele való érintkezést. Ha véletlenül mégis a bőrre**

kerül, vízzel öblítse le. Ha a folyadék szembe kerül, forduljon orvoshoz is. Az akkumulátorból származó folyadék bőrirritató hatású, égési sérülést is okozhat.

- e) **Sérült vagy átalakított akkucsomagot és szerszámot ne használjon.** A sérült vagy átalakított akkumulátorok kiszámíthatatlanul viselkedhetnek, tüzet, robbanást vagy sérülést okozhatnak.
- f) **Tűztől és szélsőséges hőmérséklettől óvja az akkucsomagot és a szerszámot.** Ha tűznek vagy 130 °C-on felüli hőmérsékletnek teszi ki, robbanást okozhat. MEGJEGYZÉS: a „130 °C” „265 °F”-nak (Fahrenheit foknak) felel meg.
- g) **Tartsa be a töltésre vonatkozó összes utasítást, és ne töltsen az akkucsomagot vagy a szerszámot a kezelési útmutatóban megadott tartományon kívül eső hőmérséklet mellett.** Nem megfelelő vagy a megadott tartományon kívüli hőmérséklet mellett történő töltés károsíthatja az akkumulátort, és tűzveszéllyel jár.

6) Szerviz

- a) **Az elektromos szerszámot képzett javító szakemberrel javíttassa, csakis az eredetivel azonos pótalkatrészeket használjon fel.** Ez biztosítja, hogy az elektromos szerszám továbbra is biztonságos maradjon.
- b) **Sérült akkucsomagot soha ne szervizeljen.** Akkucsomagok szervizelését csak a gyártó vagy annak megbízott szolgáltatója végezheti.

SÖVÉNYNYÍRÓRA VONATKOZÓ BIZTONSÁGI FIGYELMEZTETÉSEK

- a) **Tartsa távol minden testrészét a vágókéstől. Ne távolítsa el a vágott anyagot, és ne tartsa a vágandó anyagot, amikor a vágókések mozognak.** A vágókések a kapcsoló kikapcsolása után továbbra is mozgásban vannak. A sövénynyíró használata közben egyetlen pillanatnyi figyelmetlenség is súlyos személyi sérülést okozhat.
- b) **A sövénynyírót a fogantyúnál fogva, álló vágókéssel vigye, és ügyeljen arra, hogy ne működtesse egyik kapcsolót se.** A sövénynyíró megfelelő hordozása csökkenti a véletlen elindulás és a vágókések okozta személyi sérülés kockázatát.
- c) **Szállítás vagy tárolás során minden esetben szerelje fel a vágókés burkolatát.** A sövénynyíró megfelelő kezelése csökkenti a vágókések általi személyi sérülés kockázatát.

- d) **Mielőtt eltávolítja az eltömődést okozó anyagot, vagy szervizeli a szerszámot, győződjön meg arról, hogy minden kapcsolója ki van kapcsolva, és az akkucsomag el van távolítva vagy le van választva.** Eltömődést okozó anyag eltávolításakor vagy szervizelés közben a sövénynyíró váratlan működése súlyos személyi sérülést okozhat.
- e) **A sövénynyírot csak a szigetelt markolási felületeinél fogja, mert előfordulhat, hogy a vágókés rejtett vezetékbe ütközik.** Ha a vágókések feszültség alatt levő vezetékhez érnek, a sövénynyíró fém részei feszültség alá kerülve áramütést okozhatnak.
- f) **Tartson távol minden tápkábel és vezeték a vágási területtől.** Előfordulhat, hogy a sövényekben vagy bokrokban rejtett tápkábelek és vezetékek vannak, amiket a sövénynyíró véletlenül elvághat.
- g) **Rossz időjárási körülmények között, különösen villámlásveszély idején ne használja a sövénynyírot.** Azzal csökkenti a villámcsapás kockázatát.

KIHÚZOTT ÁLLAPOTÚ SÖVENYNYÍRÓRA VONATKOZÓ BIZTONSÁGI FIGYELMEZTETÉSEK

- a) **Az áramütés veszélyének csökkentése érdekében soha ne használja a kihúzott állapotú sövénynyírot elektromos vezeték közelében.** Az elektromos vezetékkel való érintkezés vagy azok közelében történő használat súlyos sérülést vagy halálos áramütést okozhat.
- b) **Mindig két kézzel működtesse a kihúzott állapotú sövénynyírot.** Két kézzel tartsa a sövénynyírot kihúzott állapotban, hogy ne veszítse el felette az uralmát.
- c) **Mindig használjon fejvédő eszközt a kihúzott sövénynyíró fejmagasság feletti használata során.** A leeső növényi hulladék súlyos személyi sérülést okozhat.

TOVÁBBI BIZTONSÁGI FIGYELMEZTETÉSEK

- a) **Ezt a szerszámot nem használhatják olyan személyek (a gyermekeket is beleértve), akik nincsenek fizikai, érzékelési vagy mentális képességeik teljes birtokában, vagy nincs meg a szükséges tapasztalatuk és tudásuk, kivéve, ha a biztonságukért felelős személy felügyel rájuk, vagy megtanítja őket a készülék használatára.** Ügyeljen a gyermekekre, hogy ne játszhassanak vele.
- b) **A géppel történő munkavégzés során minden esetben stabilan, két kézzel fogja a gépet, és álljon stabil terpezállásban.** Az elektromos szerszám biztonságosabban vezethető, ha két kézzel fogja.
- c) **A gép használatakor mindig ellenőrizze, hogy a fogantyúk és burkolatok fel vannak szerelve.** Soha ne próbáljon meg hiányos vagy jogosulatlanul módosított gépet használni.
- d) **Használat előtt mindig olajozza be a vágókést védőspray-vel.**
- e) **Mindig várja meg a gép teljes leállását, mielőtt letenné.**
- f) **A gép használata közben más személyek és állatok maradjanak legalább 3 méteres távolságban.** Az üzemeltető felelős a munkaterületen tartózkodó harmadik személyekért.
- g) **Soha ne fogja meg a sövénynyíró vágókését.**
- h) **A sövénynyírot nem használhatják gyermekek vagy olyan személyek, akik nem ismerik ezeket az utasításokat.** A gépkezelő életkorára vonatkozóan a helyi szabályozások is fogalmazhatnak meg korlátozásokat.
- i) **Soha ne vágjon sövényt, ha más személyek, különösen gyerekek vagy állatok tartózkodnak a közelben.**
- j) **A felhasználó a felelős a más személyeket vagy a tulajdonukat ért balesetekért és veszélyekért.**
- k) **Ne használja a sövénynyírot mezítláb vagy nyitott szandálban, mindig viseljen megfelelő lábbelit és hosszúnadrágot.** Strapabíró kesztyű, csúszásmentes lábbeli és védőszemüveg használata ajánlott. Ne viseljen lezser ruházatot, illetve ékszereket; amelyek fennakadhatnak a mozgó alkatrészekben.
- l) **Alaposan vizsgálja át a területet, ahol a sövénynyírot használni szeretné, és távolítsa el minden vezeték és egyéb idegen tárgyat.**
- m) **Használat előtt ellenőrizze a vágókéseket, a kések csavarjait és a vágószerelvényeket kopás vagy sérülés szempontjából.** Ne használjon sérült vagy túlságosan kopott vágóeszközt.
- n) **Tudnia kell, hogyan lehet vészhelyzet esetén gyorsan leállítani a sövénynyírot.**
- o) **Kizárólag fényes nappal vagy megfelelő mesterséges fényben nyírt sövényt.**
- p) **Soha ne használja a sövénynyírot, ha a burkolat hibás vagy nincs a helyén.**
- q) **Soha ne tartsa a sövénynyírot a burkolatnál fogva.**

- r) A sövénynyíró használata közben mindig két lábbal, egyensúlyát megtartva álljon a talajon.
- s) Mindig ügyeljen a környezetére és maradjon éber, figyelve a sövénynyíró használata során nem hallható esetleges veszélyekre.
- t) Mindig ellenőrizze az összes anya és csavar szoros illeszkedését, hogy a sövénynyíró minden esetben biztonságos működési állapotban legyen.
- u) A sövénynyírót tartsa száraz, magas, vagy gyermekektől elzárt helyen.
- v) A biztonság kedvéért cserélje ki a kopott vagy sérült alkatrészeket.
- w) Ne próbálja a gépet megszerelni, kivéve ha Ön képzett szakember.
- x) Mindkét kezével biztonságosan tartsa a terméket.

AZ AKKUMULÁTORRA VONATKOZÓ BIZTONSÁGI FIGYELMEZTETÉSEK

- a) **Ne bontsa szét az akkumulátort.** Az veszélyes rövidzárlatot okozhat.
- b) **Hőbehatástól védje az akkumulátort, pl. ne tegye ki folyamatos erős napsugárzásnak, tűztől, víztől és más nedvességtől is védje.** Robbanásveszély.
- c) **Ha az akkumulátor sérült, vagy rendellenesen használják, gőzök áramolhatnak belőle. Szellőztesse át a munkaterületet, és ha egészségi panaszai vannak, kérjen orvosi segítséget.** A gőzök irritálhatják a légutakat.
- d) **Az akkumulátort csak a Vonroc termékéhez használja.** Ezzel az intézkedéssel veszélyes túlterheléstől védi az akkumulátorát.
- e) **Az akkumulátor megsérülhet, ha a külsejét hegyes tárggyal (pl. szeggel, csavarhúzóval) vagy erőszakosan manipulálják.** Belső rövidzárlat következhet be, amitől az akkumulátor leégphet, füstölhet, robbanhat vagy túlmelegedhet.

A TÖLTŐRE VONATKOZÓ BIZTONSÁGI FIGYELMEZTETÉSEK

Rendeltetése

A töltővel kizárólag CD801AA és CD803AA típusú újratölthető akkumulátorcsomagokat töltsön fel. Másfajta akkumulátorok használata személyi sérülést és károkat okozhat.

- a) **A készüléket csökkent fizikai, érzékszervi vagy szellemi képességű személyek (gyermekeket is ideértve), valamint megfelelő tapasztalattal és tudással nem rendelkező személyek csak akkor**

használhatják, ha közben felügyelik őket vagy előzőleg ellátták őket a megfelelő utasításokkal.

- b) **Figyelni kell, nehogy a gyerekek játszanak a készülékkel.**
- c) **Nem újratölthető elemek újratöltésével próbálkozni tilos!**
- d) **Az akkumulátorok töltését jól szellőző helyen kell végezni!**

Elektromos biztonság



Mindig ellenőrizze, hogy a tápellátás megfelel-e az adattáblán feltüntetett feszültségeknek.

- Ne használja a gépet, ha a hálózati kábel vagy a hálózati csatlakozódugó sérült.
- Csak olyan hosszabbító kábelt használjon amely megfelel a berendezés névleges teljesítményének és legalább 1,5 mm² vastag. Ha tekercest használ a hosszabbító kábelhez, mindig teljesen tekerje le a kábelt.

2. A GÉP ADATAI

Rendeltetése


A gép háztartási használatra készült, sövények és bokrok magasan történő vágásához és nyírásához, miközben a felhasználó a talajon tartózkodik. A készülék nem alkalmas létrán vagy lépcsőn történő használatra. A gépet nem a fű lenyírására terveztük, nem használható fűnyíróként. A szerszám nem kereskedelmi vagy ipari használatra készült.


MŰSZAKI ADATOK





Ez az útmutató különböző kiegészítésekhez / cikkszámokhoz készült. A készlet megfelelő összetételéhez és tartalmához ellenőrizze a műszaki adatokat tartalmazó lenti táblázat vonatkozó cikkszámát.

Modellazonosító	Akkumulátorok a csomagban	Töltők a csomagban
HT503DC	-	-
S_HT503DC	CD801AA	CD802AA
S2_HT503DC	2 x CD801AA	CD802AA
S3_HT503DC	CD803AA	CD802AA

A gép adatai	
Feszültség	20 V 
Löketszám üresjáratban	1200/perc
Vágókés hossza	36 cm
Fognyílás	23 mm
Hosszúságállítás	200–260 cm
Hangnyomásszint (LWA)	88 dB(A) K= 3 dB(A)
Súly	2,3 kg

A gép adatai	
Feszültség	20 V 
Löketszám üresjáratban	1200/perc
Vágókés hossza	36 cm
Fognyílás	23 mm
Hosszúságállítás	200–260 cm
Hangnyomásszint (LpA)	77,9dB, K=3 dB
Hangteljesítményszint (LWA)	87,8 dB, K=3 dB
Garantált LWA	91 dB
Rezgés	elülső fogantyún ah = 2,55 m/s ²
	hátsó fogantyún ah = 2,48 m/s ²
	K = 1,5 m/s ²
Súly	2,3 kg

Modellazonosító	CD802AA
A töltő bemenete	220–240V, 50 Hz 0,4 A
A töltő kimenete	21 V  2,5 A
2 Ah-s akkumulátor töltési ideje	60 perc
4 Ah-s akkumulátor töltési ideje	120 perc
Ajánlott akkumulátorok	CD801AA, CD803AA
Súly	0,36 kg

Modellazonosító	CD803AA
Akkumulátor típusa	Lítium-ion
Feszültség	20 V 
Kapacitás	4,0 Ah
Ajánlott töltő	CD802AA
Súly	0,65 kg

VONROC VPOWER 20 V akkumulátorplatformból csak a következő akkumulátorokat használja. Más akkumulátor használata súlyos sérüléshez és a szerszám károsodásához vezethet.

CD801AA 20 V, 2 Ah-s lítium-ion
CD803AA 20 V, 4 Ah-s lítium-ion

Ezek az akkumulátorok az alábbi töltővel tölthetők.
CD802AA Gyorstöltő

A VONROC VPOWER 20V platform akkumulátorai csereszabatosak minden VONROC VPOWER 20V akkumulátor platform szerszámmal.

LEÍRÁS

A szövegbeli számok a 2-5. oldalon található ábrákra utalnak.

1. Sövénynyírófej
2. Fejállító gomb
3. Fejrögzítő gyűrű
4. Sövénynyíró vágókése
5. Fogantyúzáró kar
6. Kapcsoló
7. Teleszkópos nyél
8. Hálózati csatlakozó
9. Vállheveder
10. Karabiner
11. Védőburkolat
12. Akkumulátor
13. Akkumulátortöltő
14. Akkumulátor kioldógombja
15. Akkumulátor LED-jelzőlámpák gomb
16. Akkumulátor LED-jelzőlámpák
17. A töltő LED-jelzőlámpái

3. SZERELÉS



Az elektromos szerszámon végzett munkavégzés előtt (kezelés, szerszámcsere, szerelés) távolítsa el az akkumulátort.



Az akkumulátort első használat előtt először fel kell tölteni.

Az akkumulátor behelyezése a gépbe (B-1 ábra)

A töltőre vagy a gépre csatlakoztatás előtt ellenőrizze, hogy az akkumulátor külseje tiszta és száraz legyen.

1. Tegye az akkumulátort (12) a gép talpába a B-1 ábrán látható módon.

2. Kattanásig nyomja az akkumulátort a helyére.

Az akkumulátor kivétele a gépből (B-1 ábra)

1. Nyomja meg az akkumulátor kioldógombját (14).
2. Vegye ki az akkumulátort a gépből a B-1 ábrán látható módon.

Az akkumulátor töltési állapotának ellenőrzése (B-2 ábra)

- A töltöttségi szint ellenőrzéséhez nyomja meg röviden a gombot (15).
- Az akkumulátor 3 lámpával mutatja a töltési szintet, minél több világít, annál több töltése van még az akkumulátornak.
- Ha a lámpák nem világítanak, az akkumulátor lemerült, azonnal tölteni kell.

Az akkumulátor töltése a töltővel (B-2 ábra)

1. Vegye ki a gépből az akkumulátort (12).
2. Fordítsa fejjel lefelé az akkumulátort (12) és csúsztassa a töltőre (13) a B-2 ábrán látható módon.
3. Nyomja be egészen az akkumulátort a nyílásba.
4. Dugja a töltődugót villamos aljzatba és várjon. A gépen a LED jelzők (17) világítani kezdenek és jelzik a töltő állapotát.

A töltő 2 LED jelzővel (17) rendelkezik, melyek a töltési folyamat állapotát mutatják:

Piros LED állapot	Zöld LED állapot	Töltés állapot
Nem világít	Nem világít	Nincs áramellátás
Nem világít	Világít	Készenlét mód: - Nincs behelyezve akkumulátor vagy - Akkumulátor behelyezve, de a töltés befejeződött
Világít	Nem világít	Akkumulátor töltődik

- A(z) 2 Ah-s akkumulátor teljes feltöltése 60 percet vesz igénybe.
- A(z) 4 Ah-s akkumulátor teljes feltöltése 120 percet vesz igénybe.

Az akkumulátor teljes feltöltése után húzza ki a töltődugót az aljzataból és vegye ki az akkumulátort a töltőből.



Ha a gépet hosszabb ideig nem használják, jobb az akkumulátort töltött állapotban tárolni.

A szerszám összeszerelése (C, D ábra)

- Csatolja a vállhevedert (9) a fogantyú (7) karikájára a karabinerrel (10).
- Lazítsa meg a fejrögzőtő gyűrűt (3) az óra járásával ellentétes irányba tekerve. Ne távolítsa el teljesen a gyűrűt a fejről.
- A hálózati csatlakozót (8) a fejbe helyezve illesztesse a sövénynyírófejet (1) a teleszkópos nyélhez (7).
- Ha a csatlakozó (8) nincs megfelelően behelyezve, előfordulhat, hogy elektromos kapcsolat hiányában a szerszám nem működik. Győződjön meg róla, hogy a hálózati csatlakozó teljesen be van dugva a sövénynyírófejbe. A nyelen lévő csavart (18) a nyírófejnek (1) és a rögzítőgyűrűnek (3) fednie kell.
- Rögzítse a sövénynyírófejet (1) a rögzítőgyűrű (3) óra járásával megfelelő irányba tekerésével.



Soha ne rögzítse az övet átlósan keresztül a vállán és mellkasán, hanem helyezze azt az egyik vállára. Így veszély esetén gyorsan eltávolíthatja a szerszámot a testétől.

A teleszkópos magasság beállítása (E-1, E-2 ábra)

- Nyissa ki a kart (5) a teleszkópos nyél (7) kioldásához.
- Állítsa be a teleszkópos nyelet (7) a kívánt hosszúságra.
- Rögzítse a teleszkópos nyelet a kar lezárásával (5).

A dönthető sövénynyírófej beállítása (F-1, F-2 ábra)

- Nyomja be a sövénynyírófej (1) oldalán található gombot (2).
- Állítsa a fejet a kívánt helyzetbe.
- Engedje el a gombot (2) és ellenőrizze, hogy a fej a helyére záródott.

4. MŰKÖDÉS

Használat előtt (G ábra)

Távolítsa el a vágókés burkolatát (11), és olajozza meg a vágókéseket (4).

Bekapcsolás és kikapcsolás

Mindig két kézzel tartsa a sövénynyíró. Egyik kezét helyezze a teleszkópos nyélre (7), másik kezét pedig a kapcsolóhoz közeli hátsó fogantyúra. A gép működtetéséhez nyomja meg és tartsa lenyomva a kapcsolót (6). A kapcsoló elengedésével a gép automatikusan leáll.

Használat után

Kefe vagy rongy segítségével törölje le a szennyeződések és növénymaradékokat a vágókésekről (4). Olajozza meg a vágókéseket, helyezze vissza a vágókések burkolatát (11), valamint távolítsa el az akkumulátort (12), mielőtt a gépet eltárolná.

5. KARBANTARTÁS



Tisztítás és karbantartás előtt mindig kapcsolja ki a gépet és vegye ki belőle az akkumulátort.

A gép burkolatát rendszeresen, lehetőleg minden használat után törölje át puha ronggyal. Ügyeljen arra, hogy a szellőzőnyílások portól és piszoktól mentesek legyenek. Makacs szennyeződésekhez használjon szappanos vízzel átitatott ruhát. Ne használjon oldószert, benzint, alkoholt, ammóniát stb. Az ilyen vegyszerek kárt tesznek a szintetikus alkatrészekben.

Vágókés

- A vágókés kezelése vagy tisztítása közben mindig viseljen kesztyűt.
- Tisztítsa meg a vágókést és fújja le védőolajjal minden egyes használat után. Hosszabb idejű munkavégzés esetén ajánlott a vágókéseket védőolajjal lekenni rendszeres időközönként.
- Szemrevételezéssel ellenőrizze a vágókés állapotát. Ellenőrizze, hogy a csavarok erősen meg vannak-e húzva a vágórúdban.

Tárolás

A sövénynyíró tárolja biztonságos, száraz, gyermektől elzárt helyen. Ne tegyen semmilyen tárgyat a tetejére.

KÖRNYEZETVÉDELEM



A hibás vagy feleslegessé vált elektromos, elektronikus készülékeket az ezzel foglalkozó gyűjtőpontokon kell leadni.

Csak EU országokban

Elektromos szerszámokat ne dobjon a háztartási hulladékba. Az elektromos és elektronikai hulladékokra vonatkozó, 2012/19/EU európai irányelv és annak a nemzeti törvénykezésbe történő átültetése értelmében az elhasználadott elektromos készülékeket külön kell gyűjteni és környezetbarát módon kell kiselejtezni.

JÓTÁLLÁS

A VONROC termékei a legmagasabb minőségi normák szerint készülnek, és az eredeti vásárlás napjától számított, törvényileg előírt időtartamig garatáljuk, hogy anyag- és gyártási hibáktól mentesen fognak működni. Ha a terméken ezen időszak alatt bármilyen hiba jelentkezik anyag- és/vagy gyártási hiba miatt, kérjük, forduljon közvetlenül a VONROC vállalathoz.

A szavatosság nem érvényes a következő körülmények egyikére sem:

- Nem hivatalos szervizközpontok javítást vagy módosítást végeztek (vagy megkíséreltek javítást vagy módosítást végezni) a gépen;
- Normál elhasználódás és kopás;
- A szerszámot erőszakosan vagy nem rendeltetésszerűen használták, vagy a karbantartása nem volt megfelelő;
- Nem eredeti pótalkatrészeket használtak.

A garancia a vállalat által (akár kifejezetten, akár hallgatólagosan) biztosított kizárólagos garancia. Nem biztosítunk más garanciákat (sem kifejezett, sem beleértett garanciákat, ideértve az értékesíthetőségre és az adott célra való alkalmasságra vonatkozó hallgatólagos garanciákat is), amelyek a jelen garancia hatókörén túlmutatnak. A VONROC semmilyen esetben sem felelős semmilyen járólékos vagy következményes kárért. A forgalmazók jogorvoslati teendői az előírásoknak nem megfelelő egységek vagy alkatrészek javítására és cseréjére korlátozódnak.

A termék és a használati útmutató változtatásának jogát fenntartjuk. A műszaki adatok előzetes bejelentés nélkül változhatnak.

1. BEZPEČNOSTNÍ POKYNY

Přečtěte si přiložené bezpečnostní výstrahy, dodatečné bezpečnostní výstrahy a bezpečnostní pokyny. Nebudete-li dodržovat tyto bezpečnostní výstrahy a pokyny, může dojít k úrazu elektrickým proudem, k vzniku požáru nebo k vážnému zranění. Uschovejte tyto bezpečnostní výstrahy a pokyny pro budoucí použití.

V tomto návodu k obsluze a na tomto výrobku jsou použity následující symboly:



Přečtěte si návod k obsluze.



Upozorňuje na riziko zranění osob, ztráty života nebo poškození zařízení, nebudou-li dodržovány pokyny uvedené v tomto návodu.



Nebezpečí úrazu elektrickým proudem.



Maximální teplota 45 °C.



Nevhazujte akumulátor do ohně.



Nevhazujte akumulátor do vody.



Používejte ochranu hlavy.



Používejte ochranné brýle.



Nevystavujte dešti.



Udržujte ruce v bezpečné vzdálenosti od nožové lišty.



Dávejte pozor na odmrštěné předměty. Udržujte ostatní osoby v bezpečné vzdálenosti.



Nepřibližujte se s tímto výrobkem k vysoko-napěťovému vedení! Minimální vzdálenost je 10 metrů.



Stroj třídy II – Dvojitá izolace – Nemusí být použit uzemňovací vodič.



Miniaturní pomalá pojistka s tavnou vložkou.



Použijte tříděný odpad pro akumulátory Li-Ion.



Nelikvidujte tento výrobek do nevhodného kontejneru.



Tento výrobek je vyroben v souladu s platnými bezpečnostními normami, které jsou uvedeny ve směrnicih EU.

OBECNÉ BEZPEČNOSTNÍ VÝSTRAHY TÝKAJÍCÍ SE ELEKTRICKÉHO NÁŘADÍ



VAROVÁNÍ! Přečtěte si všechny bezpečnostní výstrahy a všechny pokyny. Nebudete-li dodržovat tyto bezpečnostní výstrahy a pokyny, může dojít k úrazu elektrickým proudem, ke vzniku požáru nebo k vážnému zranění.

Uschovejte všechny bezpečnostní výstrahy a pokyny pro budoucí použití.

Pojem elektrické nářadí v těchto varováních odkazuje na elektrické nářadí napájené z elektrické sítě (s napájecím kabelem) nebo z akumulátoru (bez napájecího kabelu).

- 1) Bezpečnost pracovního prostoru**
 - a) **Udržujte pracoviště uklizené a dobře osvětlené.** Neuklizená nebo tmavá místa přivolávají nehody.
 - b) **Nepoužívejte elektrická nářadí ve výbušných prostředích, jako jsou místa s přítomností hořlavých kapalin, plynů nebo prachu.** V elektrickém nářadí dochází k jiskření, které může způsobit vznícení prachu nebo výparů.
 - c) **Při práci s tímto elektrickým nářadím udržujte děti a okolostojící osoby v bezpečné vzdálenosti.** Rozptylování může způsobit ztrátu kontroly nad nářadím.
- 2) Elektrická bezpečnost**
 - a) **Zástrčka napájecího kabelu nářadí musí odpovídat zásuvce. Zástrčku nikdy žádným způsobem neupravujte. Nepoužívejte u uzemněného elektrického nářadí žádné adaptéry zástrček.** Neupravené zástrčky a odpovídající zásuvky snižují riziko úrazu elektrickým proudem.
 - b) **Vyvarujte se kontaktu s uzemněnými povrchy, jako jsou potrubí, radiátory, trouby a ledničky.** Dojde-li k uzemnění vašeho těla, hrozí zvýšené riziko způsobení úrazu elektrickým proudem.

- c) **Nevystavujte elektrické nářadí dešti ani vlhkému prostředí.** Dostane-li se do elektrického nářadí voda, zvýší se riziko úrazu elektrickým proudem.
- d) **Nezacházejte špatně s napájecím kabelem. Nikdy nepoužívejte napájecí kabel pro přenášení nebo tahání elektrického nářadí ani netahejte za tento kabel při vypořádání zástrčky ze zásuvky. Dbejte na to, aby tento kabel nepřecházel přes horké a mastné povrchy ani přes ostré hrany a aby se nedostal do kontaktu s pohyblivými se částmi.** Poškozené nebo zamotané kabely zvyšují riziko úrazu elektrickým proudem.
- e) **Používáte-li elektrické nářadí venku, používejte prodlužovací kabel vhodný pro venkovní použití.** Použití prodlužovacího kabelu pro venkovní použití snižuje riziko úrazu elektrickým proudem.
- f) **Musíte-li používat toto elektrické nářadí ve vlhkém prostředí, používejte v elektrickém obvodu proudový chránič (RCD).** Použití proudového chrániče (RCD) snižuje riziko úrazu elektrickým proudem.
- 3) Bezpečnost osob**
- a) **Při práci s tímto elektrickým nářadím buďte stále pozorní; sledujte, co provádíte, a používejte zdravý rozum. Nepoužívejte elektrické nářadí, jste-li unaveni nebo jste-li pod vlivem drog, alkoholu nebo léků.** Nepozornost při práci s elektrickým nářadím může způsobit velmi nebezpečná zranění.
- b) **Používejte osobní ochranné prostředky. Vždy používejte ochranu zraku.** Ochranné prostředky, jako jsou maska proti prachu, neklouzavá pracovní ochranná obuv, pevná přilba nebo chrániče sluchu, které jsou používány v příslušných podmínkách, zmenšují riziko způsobení zranění osob.
- c) **Zabraňte náhodnému spuštění nářadí. Před připojením elektrického nářadí k napájecímu zdroji nebo před vložením akumulátoru do nářadí, před zvednutím nářadí nebo před jeho přenášením se ujistěte, zda je spínač nářadí v poloze vypnuto.** Přenášení elektrického nářadí s prstem na spouštěcím spínači nebo připojení elektrického nářadí k zdroji elektrické energie, je-li spouštěcí spínač v poloze zapnuto, zvyšuje pravděpodobnost vzniku nehod.
- d) **Před zapnutím elektrického nářadí vždy odstraňte všechny klíče a seřizovací přípravky.** Klíče nebo seřizovací přípravky ponechané na rotující části elektrického nářadí mohou způsobit zranění osob.
- e) **Nepřeceňujte své síly. Vždy udržujte správný postoj a rovnováhu.** Tak si zachováte lepší kontrolu nad nářadím v neočekávaných situacích.
- f) **Vhodně se oblékejte. Nenoste volný oděv ani šperky. Udržujte vlasy, oblečení a rukavice v bezpečné vzdálenosti od všech pohyblivých částí.** Volný oděv, šperky nebo dlouhé vlasy mohou být zachyceny pohyblivými se díly.
- g) **Jsou-li zařízení vybavena adaptérem pro připojení odsávacího systému, ujistěte se, zda je odsávací zařízení správně připojeno a zda správně plní svoji funkci.** Použití odsávání prachu může snížit rizika spojená prací v prašném prostředí.
- h) **Nedovoďte, aby jistota získaná častým používáním nářadí vedla ke snížení vaší pozornosti a ignorování zásad bezpečné práce s nářadím.** Chvilková nepozornost může během zlomku sekundy způsobit vážné zranění.
- 4) Použití elektrického nářadí a jeho údržba**
- a) **Nepřetěžujte elektrické nářadí. Používejte pro prováděnou práci správné elektrické nářadí.** Správné elektrické nářadí provede práci lépe a bezpečněji, je-li použito pro práce, pro které je určeno.
- b) **Nepoužívejte elektrické nářadí, nepracuje-li správně jeho spouštěcí spínač.** Nemůžete-li elektrické nářadí ovládat pomocí spouštěcího spínače, takové nářadí je velmi nebezpečné a musí být opraveno.
- c) **Před prováděním jakéhokoliv seřízení, před výměnou příslušenství nebo před uložením odpojte napájecí kabel nářadí od napájecího zdroje nebo z nářadí vyjměte akumulátor.** Tato preventivní bezpečnostní opatření snižují riziko náhodného spuštění elektrického nářadí.
- d) **Uložte nepoužívané elektrické nářadí mimo dosah dětí a nedovoďte osobám, které nejsou obeznámeny s tímto nářadím nebo s těmito pokyny, aby toto elektrické nářadí používaly.** Elektrické nářadí je v rukách neproškolených osob nebezpečné.
- e) **Provádějte údržbu elektrického nářadí. Zkontrolujte nevyrovnaní nebo vážnutí pohyblivých částí, poškození součástí a jiné stavy, které by mohly mít vliv na správnou funkci nářadí. Je-li elektrické nářadí poškozeno, zajistěte jeho opravu dříve, než ho použijete.** Mnohé nehody

- bývají způsobeny nedostatečnou údržbou elektrického nářadí.
- f) **Udržujte řezné nástroje ostré a čisté.** U správně udržovaných řezných nástrojů s ostrými řeznými břitzy je menší pravděpodobnost jejich zablokování a lépe se s nimi pracuje.
- g) **Používejte elektrické nářadí, příslušenství, pracovní nástroje atd. v souladu s těmito pokyny a berte v úvahu pracovní podmínky a práci, která má být provedena.** Použití elektrického nářadí pro operace, pro jaké není určeno, může vést k způsobení nebezpečných situací.
- h) **Dbejte na to, aby byly rukojeti a úchopné povrchy suché, čisté a zbavené olejů a maziv.** Kluzké rukojeti a úchopné plochy neumožňují bezpečnou manipulaci a ovládání nářadí v neočekávaných situacích.
- 5) **Použití a údržba akumulátorového nářadí**
- a) **K nabíjení používejte výhradně nabíječku předepsanou výrobcem.** Nabíječka vhodná pro jeden typ akumulátoru může způsobit požár při vložení jiného, nevhodného typu.
- b) **Používejte elektrické nářadí pouze s předepsanými akumulátory.** Použití jiných typů akumulátoru může způsobit požár nebo zranění.
- c) **Když akumulátor nepoužíváte, uložte ho mimo dosah kovových předmětů, jako jsou kancelářské sponky, mince, klíče, hřebíky, šroubky nebo jiné malé kovové předměty, které by mohly zkratovat jeho kontakty.** Zkratování kontaktů akumulátoru může způsobit popáleniny nebo požár.
- d) **Za nevhodných podmínek může z akumulátoru unikat kapalina. Vyvarujte se kontaktu s touto kapalinou. Dojde-li k náhodnému kontaktu s touto kapalinou, zasažené místo omyjte vodou. Dostane-li se kapalina do očí, ihned si je vypláchněte vodou a vyhledejte lékařskou pomoc.** Unikající kapalina z akumulátoru může způsobit podráždění pokožky nebo popáleniny.
- e) **Nepoužívejte poškozený nebo upravený akumulátor či nářadí.** Poškozené nebo upravené akumulátory se mohou chovat nepředvídatelně, což může způsobit požár, výbuch nebo nebezpečí zranění.
- f) **Nevystavujte akumulátor a nářadí ohni ani nadměrným teplotám.** Vystavení účinkům ohně nebo teplot nad 130 °C může způsobit výbuch. POZNÁMKA: Teplota „130 °C“ odpovídá teplotě „265 °F“.
- g) **Dodržujte všechny pokyny pro nabíjení a ne-nabíjejte akumulátor ani nářadí mimo teplotní rozsah předepsaný v těchto pokynech.** Nesprávné nabíjení nebo nabíjení při teplotě mimo předepsaný rozsah může poškodit akumulátor a zvýšit nebezpečí vzniku požáru.
- 6) **Servis**
- a) **Svěřte opravu svého elektrického nářadí pouze osobě s příslušnou kvalifikací, která bude používat výhradně originální náhradní díly.** Tím zajistíte bezpečný provoz tohoto elektrického nářadí.
- b) **Nikdy neopravujte poškozené akumulátorové moduly.** Opravy akumulátorů smí provádět výhradně výrobce nebo technik autorizovaného servisu.

BEZPEČNOSTNÍ VÝSTRAHY TÝKAJÍCÍ SE NŮŽEK NA ŽIVÝ PLOT

- a) **Udržujte všechny části těla v bezpečné vzdálenosti od nožové lišty. Neodstraňujte ostříhaný materiál nebo nedržte materiál, který bude stříhán, když jsou nože v pohybu.** Nože pokračují v pohybu ještě chvíli po nastavení vypnutí spínače. Chvilková nepozornost při práci s těmito nůžkami na živý plot může způsobit velmi nebezpečné zranění.
- b) **Přenášejte tyto nůžky na živý plot za rukojeť a se zastavenou nožovou lištou. Dávejte pozor, abyste nestiskli vypínač.** Správné přenášení těchto nůžek snižuje riziko neúmyslného spuštění a následných zranění způsobených nožovou lištou.
- c) **Při přepravě nebo skladování těchto nůžek na živý plot mějte vždy nasazený ochranný kryt na nožové liště.** Správná manipulace s těmito nůžkami snižuje riziko zranění osob způsobených nožovou lištou.
- d) **Při odstraňování uvízlého materiálu nebo při údržbě jednotky musí být vypínač vypnut a akumulátorový modul vyjmut nebo odpojen.** Neočekávané spuštění těchto nůžek při odstraňování uvízlého materiálu nebo při provádění údržby může mít za následek vážné zranění.
- e) **Držte tyto nůžky na živý plot pouze za izolovaná místa určená pro úchop, protože se jejich nožová lišta může dostat do kontaktu se skrytým elektrickým vedením.** Když se nože dostanou do kontaktu s vodičem pod napětím, mohou být nechráněné kovové části těchto nůžek také

pod napětím, což může způsobit úraz obsluhy elektrickým proudem.

- f) **Udržujte všechny napájecí kabely a elektrické vodiče mimo prostor stříhání.** Napájecí kabely nebo elektrické vodiče mohou být ukryty v ži- vých plotech nebo keřích a mohou být omylem přestřiženy.
- g) **Nepoužívejte tyto nůžky na živý plot za špatného počasí, a to zejména v případech, kdy hrozí výskyt blesků.** Sníží se tak riziko zasažení bleskem.

BEZPEČNOSTNÍ VÝSTRAHY TÝKAJÍCÍ SE NŮŽEK NA ŽIVÝ PLOT S PRODLOUŽENÝM DOSAHEM

- a) **Abyste snížili riziko úrazu elektrickým proudem, nikdy nepoužívejte nůžky na živý plot s prodlouženým dosahem v blízkosti elektrického vedení.** Náhodný kontakt s elektrickým vedením může způsobit závažné zranění nebo úraz elektrickým proudem s následkem smrti.
- b) **Pro ovládání nůžek na živý plot s prodlouženým dosahem vždy používejte obě ruce.** Držte nůžky na živý plot s prodlouženým dosahem oběma rukama, abyste nad nimi neztratili kontrolu.
- c) **Používáte-li nůžky na živý plot s prodlouženým dosahem nad hlavou, nezapomínejte na přiměřenou ochranu hlavy.** Padající předměty by vás mohly zranit.

DALŠÍ BEZPEČNOSTNÍ VÝSTRAHY

- a) **Tento výrobek není určen k použití osobami (včetně dětí) se sníženými fyzickými, smyslovými nebo duševními schopnostmi, nebo s nedostatkem zkušeností a znalostí,** pokud nejsou pod dozorem nebo nebyly poučeny o správném používání osobou zodpovědnou za jejich bezpečnost. Děti musí být pod dozorem, aby bylo zajištěno, že si nebudou s výrobkem hrát.
- b) **Při práci držte toto nářadí vždy pevně oběma rukama a udržujte bezpečný pracovní postoj.** Toto nářadí je vedeno bezpečněji, je-li drženo oběma rukama.
- c) **Při používání stroje musí být vždy nasazeny všechny rukojeti a kryty.** Nikdy se nepokoušejte používat neúplný stroj nebo stroj, na kterém byla provedena neschválená úprava.
- d) **Před použitím vždy ošetřete nožovou lištu ochranným sprejem.**
- e) **Před odložením nářadí vždy počkejte, až se úplně zastaví.**

- f) **Ostatní osoby a zvířata by se při používání stroje měly zdržovat ve vzdálenosti nejméně 3 metrů.** Uživatel je odpovědný za třetí osoby v pracovním prostoru.
- g) **Nikdy nesahejte na nožovou lištu nůžek na živý plot.**
- h) **Děti nebo osoby, které nejsou obeznámeny s těmito pokyny, nesmí nůžky na živý plot používat.** Místní platné předpisy mohou omezovat věk obsluhy.
- i) **Nikdy nestříhejte živý plot, když se v jeho blízkosti nacházejí jiní lidé, zejména děti nebo domácí zvířata.**
- j) **Uživatel je odpovědný za nehody nebo nebezpečí hrozící jiným osobám nebo jejich majetku.**
- k) **Nepracujte s nůžkami na živý plot, když jste bosí nebo máte-li na sobě otevřené sandály; vždy noste pevnou obuv a dlouhé kalhoty.** Doporučuje se používat pevné rukavice, protiskluzovou obuv a ochranné brýle. Nenoste volné oblečení ani šperky, které by mohly být zachyceny pohyblivými částmi.
- l) **Důkladně prohlédněte oblast, kde budete nůžky na živý plot používat, a odstraňte všechny dráty nebo jiné cizí předměty.**
- m) **Před použitím zkontrolujte nožovou lištu, šrouby a řezací ústrojí, zda nejsou známky poškození.** Nepoužívejte nářadí s poškozeným nebo nadměrně opotřebeným řezacím ústrojím.
- n) **Naučte se, jak v případě nouze můžete nůžky na živý plot rychle zastavit.**
- o) **Živý plot stříhejte pouze za denního světla nebo při kvalitním umělém osvětlení.**
- p) **Nikdy nepoužívejte nůžky na živý plot s vadnými kryty nebo bez nasazených krytů.**
- q) **Nikdy nedržte nůžky na živý plot za ochranný kryt.**
- r) **Při použití nůžek na živý plot vždy udržujte správný postoj a rovnováhu.**
- s) **Při práci s nůžkami na živý plot vždy sledujte své okolí a buďte ve střehu před možným nebezpečím, které nemusíte slyšet.**
- t) **Udržujte všechny matice, šrouby a vruty řádně dotažené, aby nůžky na živý plot vždy byly v bezpečném provozním stavu.**
- u) **Nůžky na živý plot by měly být skladovány na suchém, vysoko položeném nebo uzamčeném místě, mimo dosah dětí.**
- v) **Kvůli bezpečnosti vyměňte opotřebené nebo poškozené díly.**

- w) **Nepokoušejte se stroj opravovat, pokud k tomu nemáte kvalifikaci.**
- x) **Držte tento výrobek pevně oběma rukama.**

BEZPEČNOSTNÍ VAROVÁNÍ PRO AKUMULÁTOR

- a) **Akumulátor nerozebírejte.** Nebezpečí zkratu.
- b) **Chraňte akumulátor před teplem, např. před nepřetržitým intenzivním slunečním světlem, ohněm, vodou a vlhkostí.** Nebezpečí výbuchu.
- c) **V případě poškození a nesprávného použití akumulátoru se mohou uvolňovat výpary. V případě potíží vyvětrejte místnost a vyhledejte lékařskou pomoc.** Výpary mohou dráždit dýchací ústrojí.
- d) **Používejte tento akumulátor výhradně s vaším výrobkem značky Vonroc.** Toto opatření samo o sobě chrání akumulátor před nebezpečným přetížením.
- e) **Akumulátor může být poškozen ostrými předměty, jako například hřebíky nebo šroubováky, nebo větší silou.** Může dojít k vnitřnímu zkratu a vznícení, vzniku kouře, výbuchu nebo přehřátí akumulátoru.

BEZPEČNOSTNÍ VAROVÁNÍ PRO NABÍJEČKU

Zamýšlené použití

Touto nabíječkou nabíjejte výhradně akumulátorové moduly typu CD801AA a CD803AA. Ostatní typy akumulátorů mohou prasknout a způsobit zranění a poškození.

- a) **Tento výrobek není určen k použití osobami (včetně dětí) se sníženými fyzickými, smyslovými nebo duševními schopnostmi, nebo s nedostatkem zkušeností a znalostí, pokud jim nebyl stanoven dohled nebo pokud jim nebyly poskytnuty potřebné instrukce.**
- b) **Děti musí být pod dozorem, aby si s tímto zařízením nehrály.**
- c) **Nenabíjejte baterie, které nejsou k nabíjení určeny!**
- d) **Během nabíjení musí být akumulátory umístěny na dobře větraném místě!**

Elektrická bezpečnost



Vždy zkontrolujte, zda se napájecí napětí sítě shoduje s napájecím napětím na výkonovém štítku.

- Nepoužívejte tento výrobek, je-li poškozen jeho napájecí kabel nebo zástrčka.

- Používejte pouze prodlužovací kabely, které jsou vhodné pro příkon tohoto zařízení a které mají minimální průřez 1,5 mm². Budete-li používat prodlužovací kabel na cívce, vždy odмотejte celý kabel.

2. INFORMACE O ZAŘÍZENÍ

Zamýšlené použití

Stroj je určen pro domácí použití, pro stříhání a zastříhování živých plotů a keřů ve zvýšené výšce, přičemž uživatel zůstává na zemi. Stroj není určen k použití na žebříku ani na schůdcích. Stroj není určen k sekání trávy a nelze jej použít jako vyžinač trávy. Toto nářadí není určeno pro komerční ani průmyslové použití.

TECHNICKÉ ÚDAJE



Tato uživatelská příručka platí pro různá čísla zboží / různé sady. V níže uvedené tabulce specifikací si můžete ověřit správný obsah vaší sady podle odpovídajícího čísla.

Model č.	Akumulátory v dodávce	Nabíječky v dodávce
HT503DC	-	-
S_HT503DC	CD801AA	CD802AA
S2_HT503DC	2 x CD801AA	CD802AA
S3_HT503DC	CD803AA	CD802AA

Informace o nářadí	
Napětí	20 V
Počet kmitů při chodu naprázdno	1200/min
Délka nožové lišty	36 cm
Rozestup nožů	23 mm
Nastavení délky	200-260 cm
Úroveň akustického tlaku (LpA)	77,9 dB, k=3 dB
Úroveň akustického výkonu (LWA)	87,8 dB, k=3 dB
Garantovaná LWA	91 dB

Vibrace	přední rukojeť ah=2,55 m/s ²
	zadní rukojeť ah=2,48 m/s ²
	K = 1,5 m/s ²
Hmotnost	2,3 kg

Model č.	CD801AA
Typ akumulátoru	Lithium-Ion
Napětí	20 V
Kapacita	2,0 Ah
Doporučená nabíječka	CD802AA
Hmotnost	0,3 kg

Model č.	CD802AA
Vstup nabíječky	220-240 V, 50 Hz 0,4 A
Výstup nabíječky	21V 2,5 A
Doba nabíjení 2Ah akumulátoru	60 minut
Doba nabíjení 4Ah akumulátoru	120 minut
Doporučené akumulátory	CD801AA, CD803AA
Hmotnost	0,36 kg

Model č.	CD803AA
Typ akumulátoru	Lithium-Ion
Napětí	20 V
Kapacita	4,0 Ah
Doporučená nabíječka	CD802AA
Hmotnost	0,65 kg

Používejte pouze následující akumulátory z platformy VONROC VPOWER 20 V. Použití jakýchkoliv jiných akumulátorů může způsobit vážné zranění nebo poškození nářadí.

CD801AA 20 V, 2Ah lithium-iontový
CD803AA 20 V, 4Ah lithium-iontový

Pro nabíjení těchto akumulátorů se může používat následující nabíječka.

CD802AA Rychlonabíječka

Akumulátory platformy VONROC VPOWER 20V se mohou používat ve všech akumulátorových nářadích na platformě VONROC VPOWER 20V.

POPIS

Čísla v následujícím textu odkazují na obrázky na stranách 2-5.

1. Hlava nůžek na živý plot
2. Tlačítko pro nastavení hlavy
3. Pojistný kroužek hlavy
4. Nožová lišta
5. Páčka pro zajištění rukojeti
6. Vypínač
7. Teleskopická tyč
8. Vodivá spojka
9. Ramenní popruh
10. Karabinka
11. Ochranné pouzdro
12. Akumulátor
13. Nabíječka akumulátoru
14. Tlačítko pro uvolnění akumulátoru
15. Tlačítko LED indikátorů akumulátoru
16. LED indikátory akumulátoru
17. LED indikátory nabíječky

3. SESTAVENÍ



Před zahájením jakékoliv práce na elektrickém nářadí (údržba, výměna nástroje, sestavení) z něj vyjměte akumulátor.



Před prvním použitím musí být akumulátor nabit.

Vložení akumulátoru do nářadí (obr. B-1)

Před vložením do nabíječky nebo do nářadí zajistěte, aby byl povrch akumulátoru čistý a suchý.

1. Zasuňte akumulátor (12) do základny nářadí, jak ukazuje obrázek B-1.
2. Zatlačte akumulátor úplně dopředu, dokud nezaklapne na své místo.

Vyjmutí akumulátoru z nářadí (obr. B-1)

1. Stiskněte tlačítko pro uvolnění akumulátoru (14).
2. Vytáhněte akumulátor z nářadí, jak ukazuje obrázek B-1.

Kontrola stavu nabití akumulátoru (obr. B-2)

- Chcete-li zkontrolovat stav nabití akumulátoru, krátce stiskněte tlačítko (15) na akumulátoru.
- Akumulátor je vybaven 3 kontrolkami, které indikují stav jeho nabití: čím více kontrolky svítí, tím více je akumulátor nabit.

- Pokud tyto kontrolky nesvítí, znamená to, že je akumulátor vybitý a musíte ho okamžitě nabít.

Nabíjení akumulátoru pomocí nabíječky (obr. B-2)

1. Vyjměte akumulátor (12) ze stroje.
2. Obratěte akumulátor (12) spodní stranou nahoru a zasuňte ho do nabíječky (13), jak ukazuje obrázek B-2.
3. Zatlačte na akumulátor, dokud nebude zcela zasunut do slotu.
4. Připojte zástrčku nabíječky do elektrické zásuvky a chvíli počkejte. LED indikátory na nabíječce (17) se rozsvítí a zobrazí aktuální stav nabití

Nabíječka je vybavena 2 LED indikátory (17), které signalizují stav procesu nabíjení:

Stav červené LED	Stav zelené LED	Stav nabíječky
Nesvítí	Nesvítí	Žádné napájení
Nesvítí	Svítí	Pohotovostní režim: - Není vložen žádný akumulátor nebo - Akumulátor je vložen, ale nabíjení skončilo
Svítí	Nesvítí	Probíhá nabíjení akumulátoru

- Úplné nabití 2Ah akumulátoru může trvat až 60 minut.
- Úplné nabití 4Ah akumulátoru může trvat až 120 minut.

Jakmile bude akumulátor zcela nabit, odpojte zástrčku kabelu nabíječky ze zásuvky a vyjměte akumulátor z nabíječky.



Nebude-li toto nářadí používáno delší dobu, dohlédněte na to, aby akumulátor byl před uložením nabit.

Sestavení nářadí (obr. C, D)

- Připojte ramenní popruh (9) na poukto na rukojeti (7) pomocí karabinky (10).
- Uvolněte pojistný kroužek hlavy (3) jeho otočením proti směru hodinových ručiček. Pojistný kroužek by měl zůstat na hlavě.
- Nasadte hlavu nůžek (1) na teleskopickou tyč (7) tak, že zasunete vodivou spojku (8) do hlavy.
- Pokud vodivou spojku (8) nezasunete pořádně, nemusí vzniknout elektrické spojení a nářadí ne-

bude fungovat. Ověřte, že je vodivá spojka úplně zasunuta do hlavy nůžek. Šroub (18) na rukojeti musí být zakryt hlavou nůžek (1) a pojistným kroužkem (3).

- Zajistěte hlavu nůžek (1) otočením pojistného kroužku (3) po směru hodinových ručiček



Popruh si nikdy nezapínejte šikmo přes rameno a hrudník, ale pověste si jej pouze na jedno z ramen. Takovým způsobem bude moci rychle odhodit nářadí v případě nebezpečí.

Nastavení délky teleskopické tyče (obr. E-1, E-2)

- Odjistěním páčky (5) uvolněte teleskopickou tyč (7).
- Vysuňte nebo zasuňte teleskopickou tyč (7) na požadovanou délku.
- Zajistěte teleskopickou tyč pomocí páčky (5).

Nastavení úhlu hlavy nůžek na živý plot (obr. F-1, F-2)

- Stiskněte tlačítko (2) na boku hlavy nůžek (1).
- Nastavte hlavu nůžek do požadované polohy.
- Uvolněte tlačítko (2) a ujistěte se, že se hlava nůžek zajistila na novém místě.

4. POUŽITÍ

Před použitím (obr. G)

Stáhněte ochranné pouzdro (11) a promažte nožovou lištu (4).

Zapnutí a vypnutí

Vždy držte nůžky na živý plot oběma rukama. Položte jednu ruku na teleskopickou tyč (7) a druhou na zadní rukojeť do blízkosti vypínače. Podržte stisknutý vypínač (6), aby se stroj rozběhl. Když vypínač uvolníte, stroj se automaticky zastaví.

Po použití

Otřete veškeré nečistoty z nožové lišty (4) pomocí kartáče nebo hadru. Před uložením stroje z něj vyjměte akumulátor (12), namažte nožovou lištu a nasadte na ni ochranné pouzdro (11).

5. ÚDRŽBA



Před čištěním a prováděním údržby vždy stroj vypněte a vyjměte z něj akumulátor.

Pravidelně čistěte kryt zařízení jemným hadříkem, ideálně po každém použití. Ujistěte se, že nejsou větrací otvory zaneseny prachem nebo jinými nečistotami. Odolnější nečistoty odstraňte pomocí jemného hadříku navlhčeného v mýdlové pěně. Nepoužívejte žádná rozpouštědla, jako je benzín, líh, čpavek atd. Takové chemické látky mohou způsobit poškození dílů z umělé hmoty.

Nožová lišta

- Vždy používejte rukavice při manipulaci s nožovou lištou nebo při jejím čištění.
- Po každém použití nožovou lištu očistěte a nastříkejte na ni ochranný olej. Při dlouhodobém použití vám doporučujeme v pravidelných intervalech provádět mazání nožové lišty ochranným olejem.
- Často pohledem kontrolujte stav nožové lišty. Také kontrolujte řádně dotažení šroubů na nožové liště.

Skladování

Tyto nůžky na živý plot musí být uloženy na bezpečném a suchém místě, mimo dosah dětí. Nepokládejte na toto zařízení žádné předměty.

OCHRANA ŽIVOTNÍHO PROSTŘEDÍ



Poškozená a likvidovaná elektrická nebo elektronická zařízení musí být odevzdána ve sběrných dvorech, které jsou určeny pro tento účel.

Pouze pro země EU

Nevyhazujte elektrická nářadí do běžného domácího odpadu. Podle evropské směrnice 2012/19/EC týkající se likvidace elektrických a elektronických zařízení a její implementace do vnitrostátního práva, musí být nepoužívaná elektrická nářadí shromažďována odděleně a jejich likvidace musí být provedena tak, aby nedošlo k ohrožení životního prostředí.

ZÁRUKA

Výrobky VONROC jsou vyvíjeny v souladu s požadavky norem na nejvyšší kvalitu a je zaručeno, že po dobu platné záruky, která začíná běžet dnem původního nákupu, nebudou na těchto výrobcích žádné vady materiálu, ani vady způsobené špatným dílenským zpracováním. Dojde-li během tohoto období k závadě v důsledku vady materiálu nebo

dílenského zpracování, kontaktujte přímo firmu VONROC.

Z této záruky jsou vyloučeny následující případy:

- Opravy nebo úpravy tohoto zařízení byly provedeny nebo byly provedeny pokusy o jejich provedení v neautorizovaných servisech;
- Běžné opotřebení;
- Toto zařízení bylo nesprávně použito, nevhodně použito nebo nebyla prováděna jeho správná údržba;
- Byly použity neoriginální náhradní díly.

Výše uvedené představuje jedinou záruku poskytovanou společností, ať už výslovnou nebo předpokládanou. Neexistují žádné další záruky, výslovné ani nebo předpokládané, které přesahují rámec zde uvedeného, včetně předpokládaných záruk prodejnosti a vhodnosti pro určitý účel. VONROC v žádném případě neodpovídá za jakékoliv náhodné ani následné škody. Opravné prostředky prodejců se omezují výhradně na opravu nebo výměnu nevyhovujících jednotek nebo dílů.

Na tomto výrobku a v tomto návodu mohou být prováděny změny. Technické údaje mohou být změněny bez předchozího upozornění.

1. GÜVENLİK TALİMATLARI

Ekteki güvenlik uyarılarını, ilave güvenlik uyarılarını ve talimatları okuyun. Güvenlik uyarılarını ve talimatları izlememek elektrik çarpması, yangın ve/veya ciddi yaralanma ile sonuçlanabilir. Güvenlik uyarılarını ve talimatları gelecekte referans olması için saklayın.

Aşağıdaki semboller kullanıcı kılavuzunda veya ürün üzerinde kullanılmaktadır:



Kullanım kılavuzunu okuyun.



Bu kılavuzdaki talimatlara uymama durumunda bedensel yaralanma, can kaybı veya alete hasar riskini belirtir.



Elektrik çarpması riski.



Max 45°C

Maksimum sıcaklık 45°C.



Bataryayı ateşe atmayın.



Bataryayı suya atmayın.



Baş koruması kullanın.



Güvenlik gözlükleri kullanın.



Yağmura maruz bırakmayın.



Ellerinizi bıçaktan uzak tutun.



Fırlayan nesnelere dikkat edin. İzleyicileri uzakta tutun.



Ürünü yüksek gerilim hatlarından uzak tutun! Minimum 10 metre mesafe.



Sınıf II makine - Çift yalıtım - Topraklı fişe ihtiyacınız yoktur.



T3,15A

Zaman gecikmeli minyatür sigorta bağlantısı.



Li-ion

Li-ion batarya için ayrı toplama.



Ürünü, uygun olmayan konteynerlere atmayın.



Ürün, Avrupa yönergelerinde belirtilen, yürürlükteki güvenlik standartlarına uygundur.

GENEL ELEKTRİKLİ ALET GÜVENLİK UYARILARI



UYARI! Tüm güvenlik uyarılarını ve tüm talimatları okuyun. Bu uyarıları ve talimatlara uyulmaması elektrik çarpması, yangın ve/veya ciddi yaralanma ile sonuçlanabilir.

Tüm uyarıları ve talimatları gelecekte başvurmak üzere saklayın.

Uyarılardaki "elektrikli alet" terimi, şebeke elektriği ile çalışan (kablolu) elektrikli alet veya batarya ile çalışan (kablosuz) elektrikli alet anlamına gelir.

1) Çalışma alanının güvenliği

- Çalışma alanının temiz ve aydınlık olmasını sağlayın.** Dağınık veya karanlık bölgeler, kazalara davetiye çıkarır.
- Elektrikli aletleri, yanıcı sıvılar, gazlar ve tozların bulunduğu yerler gibi tehlikeli ortamlarda çalıştırmayın.** Elektrikli aletler toz veya dumanları ateşleyebilecek kıvılcımlar üretir.
- Bir elektrikli aleti çalıştırırken çocuklardan ve etraftaki kişilerden uzak tutun.** Dikkatiniz dağılırsa kontrolü kaybedebilirsiniz.

2) Elektrik güvenliği

- Elektrikli alet fişleri, prize uygun olmalıdır. Fişi, hiçbir şekilde modifiye etmeyin. Topraklı elektrikli aletlerle, herhangi bir fiş adaptörü kullanmayın.** Modifiye edilmemiş fişler ve buna uygun prizler, elektrik çarpması riskini azaltır.
- Borular, radyatörler, ocaklar ve buzdolapları gibi topraklanmış yüzeylerle temastan kaçının.** Eğer vücudunuz topraklanmışsa, elektrik çarpması riski daha fazla olur.
- Elektrikli aletleri yağmura maruz bırakmayın veya ıslatmayın.** Bir elektrikli alete su girmesi durumunda, elektrik çarpması riski artacaktır.
- Kabloya kötü davranmayın. Kabloyu taşıma amacıyla, elektrikli aleti ya da elektrikli aletin fişini çekmek için kullanmayın. Kabloyu ısıdan, yağdan, keskin kenarlardan ya da hareketli parçalardan uzak tutun.** Hasar görmüş ya da

- dolaşmış kablolar, elektrik çarpması riskini artırır.
- e) **Bir elektrikli aleti açık havada çalıştırırken, açık havada kullanıma uygun bir uzatma kablosu kullanın.** Açık havada kullanıma uygun bir kablo kullanıldığında, elektrik çarpması riski azalır.
- f) **Elektrikli aleti nemli bir konumda çalıştırmak kaçınılmazsa, kaçak akım cihazı (RCD) korumalı bir kaynak kullanın.** RCD kullanımı elektrik çarpması riskini azaltır.
- 3) Kişisel güvenlik**
- a) **Elektrikli bir aleti kullanırken her zaman dikkatli olun, yaptığınız işe yoğunlaşın ve sağduyulu davranın. Bir elektrikli aleti yorgun olduğunuzda ya da uyuşturucu, alkol veya ilaç etkisindeyken kullanmayın.** Elektrikli aleti kullanırken bir anlık dikkatsizlik ciddi fiziksel yaralanmalara neden olabilir.
- b) **Koruyucu ekipman kullanın. Her zaman göz koruması takın.** Uygun durumlar için kullanılan toz maskesi, kaymaz güvenlik ayakkabıları, baret veya kulak tıkacı gibi koruyucu donanımlar, kişisel yaralanma riskini azaltacaktır.
- c) **İstem dışı çalıştırılmasını önleyin. Bir elektrik kaynağını ve/veya bataryayı bağlamadan, aleti kaldırmadan ya da taşımadan önce elektrikli aletin anahtarının kapalı durumda olduğundan emin olun.** Elektrikli aletleri parmağınız anahtar üzerindeyken taşımak veya anahtarı açık elektrikli aletleri harekete geçirmek kazalara davetiye çıkarır.
- d) **Elektrikli aleti çalıştırmadan önce her türlü ayar anahtarını çıkartın.** Elektrikli aletin dönen bir parçasında kalan bir anahtar, fiziksel yaralanmalara neden olabilir.
- e) **Ulaşmakta zorlandığınız yerlerde kullanmayın. Ayaklarınızı sağlam basın ve her zaman dengeli olun.** Böylece beklenmeyen durumlarda elektrikli aleti daha iyi kontrol edebilirsiniz.
- f) **Uygun şekilde giyinin. Bol kıyafetler giymeyin, takılar takmayın. Saçınızı, kıyafetlerinizi ve eldivenlerinizi, hareketli parçalardan uzak tutun.** Bol kıyafetler, takılar veya uzun saç, hareketli parçalara takılabilir.
- g) **Eğer kullandığınız üründe toz emme ve toplama özellikleri olan ataşmanlar varsa bunların bağlı olduğundan ve doğru şekilde kullanıldığından emin olun.** Bu ataşmanların kullanılması tozla ilgili tehlikeleri azaltabilir.
- h) **Aletlerin sık kullanılmasından edindiğiniz bilgi birikiminin sizi aşırı rahatlığa sürüklemesine izin vermeyin ve alet güvenliğiyle ilgili ilkeleri göz ardı etmeyin.** Dikkatsiz bir hareket, bir saniyeden bile kısa sürede ciddi yaralanmalara neden olabilir.
- 4) Elektrikli alet kullanımı ve bakımı**
- a) **Elektrikli aleti zorlamayın. Uygulamanız için doğru elektrikli aleti kullanın.** Doğru elektrikli alet, tasarım amacına uygun olarak işi daha iyi yapacaktır.
- b) **Çalıştırma düğmesi elektrikli aleti açıp kapatmıyorsa o elektrikli aleti kullanmayın.** Anahtarla kumanda edilemeyen elektrikli aletler tehlikelidir ve tamir edilmelidir.
- c) **Herhangi bir ayar, aksesuar değişimi ya da depolama işleminden önce elektrikli aletin fişini elektrik kaynağından çıkarın ve/veya bataryayı elektrikli aletten çıkarın.** Bu tür önleyici güvenlik önlemleri, elektrikli aletin kazara çalışma riskini azaltır.
- d) **Elektrikli aletleri çocukların erişemeyeceği bir yerde muhafaza edin ve elektrikli aletin nasıl çalıştığını ya da bu talimatları bilmeyen kişilerin elektrikli aleti kullanmasına izin vermeyin.** Elektrikli aletler, eğitimsiz kullanıcıların elinde tehlikeli olur.
- e) **Elektrikli aletlerin bakımını yapın. Hatalı ayarlar veya hareketli parçaların bağlanması, parça kırılmaları ve elektrikli aletin çalışmasını etkileyecek diğer durumlar için kontrol gerçekleştirin. Eğer herhangi bir hasar varsa, elektrikli alet kullanılmadan önce tamir edilmelidir. Çoğu kazaya bakımı iyi yapılmayan elektrikli aletler neden olur.**
- f) **Kesme aletlerini keskin ve temiz tutun.** Bakımı iyi yapılan ve keskin kenarlara sahip kesme aletlerinde donmalar daha az yaşanır ve kontrol edilmeleri daha kolay olur.
- g) **Elektrikli aleti, aksesuarlarını ve aletin diğer parçalarını kullanırken bu talimatlara mutlaka uyun ve çalışma ortamının koşullarını ve yapılacak işin ne olduğunu göz önünde bulundurun.** Elektrikli aletin kullanım amacı dışında kullanılması, tehlikeli durumlara sonuçlanabilir.
- h) **Tutamakları ve tutma yerlerini kuru, temiz ve yağdan arındırılmış şekilde muhafaza edin.** Kaygan tutamaklar ve tutma yerleri, beklenmedik durumlarda aletin güvenli şekilde taşınmasına ve kontrol edilmesine izin vermez.

5) Batarya ile çalışan alet kullanımı ve bakımı

- Yalnızca üretici tarafından belirtilen şarj aletiyle şarj edin.** Bir batarya için uygun olan şarj cihazı başka bir batarya ile kullanıldığında yangın tehlikesi yaratabilir.
- Elektrikli aletleri yalnızca özel olarak belirlenmiş bataryalarla kullanın.** Başka bataryaların kullanımı yaralanma ve yangın riski oluşturabilir.
- Bataryayı kullanılmadığında, iki kutbu birbirine temas ettirebilecek ataç, bozuk para, anahtar, çivi, vida ve diğer küçük metal nesnelere uzak tutun.** Batarya kutuplarının kısa devre yaptırılması yanık veya yangına neden olabilir.
- Kötü kullanım koşullarında bataryadan sıvı akabilir; buna temastan kaçının. Kazara temas gerçekleşirse, suyla yıkayın. Sıvı gözlerle temas ederse ilave tıbbi yardım isteyin.** Bataryadan sızan sıvı tahriş veya yanıklara neden olabilir.
- Hasarlı veya üzerinde değişiklik yapılmış bir batarya veya aleti kullanmayın.** Hasarlı veya üzerinde değişiklik yapılmış bataryalar, yangın, patlama ya da yaralanma riskiyle sonuçlanabilecek öngörülemeyen riskler doğurabilir.
- Batarya veya aleti ateşe ya da aşırı sıcaklığa maruz bırakmayın.** Ateşe veya 130 °C üzeri sıcaklıklara maruz kalması patlamaya yol açabilir. NOT Sıcaklık birimi olarak, "130 °C" yerine "265 °F" kullanılabilir.
- Tüm şarj talimatlarına uyun ve batarya veya aleti talimatlarda belirtilen sıcaklık aralığının dışındaki ortamlarda şarj etmeyin.** Yanlış şekilde veya belirtilen aralığın dışındaki sıcaklıklarda şarj etmek bataryayı zarar verebilir ve yangın riskini artırabilir.

6) Servis

- Elektrikli aletinizi, sadece orijinal yedek parçaları kullanan bir yetkili servise tamir ettirin.** Bu, elektrikli aletin güvenliğinin korunmasını sağlayacaktır.
- Hasarlı bataryalara asla kendiniz bakım yapmaya çalışmayın.** Bataryadaki bakım işlemleri sadece üretici veya yetkili servisler tarafından yapılmalıdır.

ÇİT KESME MAKİNESİ GÜVENLİK UYARILARI

- Tüm vücut uzuvlarınızı bıçaktan uzak tutun. Bıçaklar hareket ederken kesilen malzemeleri temizlemeye çalışmayın veya elinizle tutmayın.** Çalıştırma düğmesi kapatıldıktan sonra bıçaklar hareket etmeye devam eder. Çit kesme

makinesini kullanırken bir anlık dikkatsizlik ciddi fiziksel yaralanmalara neden olabilir.

- Çit kesme makinesini, bıçak durmuş şekilde, herhangi bir düğmesini çalıştırmamaya dikkat ederek ve tutamağından tutarak taşıyın.** Çit kesme makinesinin uygun şekilde taşınması; bıçakların yanlışlıkla çalıştırılmasını ve bunun sonucunda oluşabilecek yaralanma riskini azaltacaktır.
- Çit kesme makinesini taşıırken veya depoya kaldırırken bıçak kılıfını daima takın.** Çit kesme makinesinin uygun şekilde tutulması, oluşabilecek yaralanma riskini azaltacaktır.
- Sıkışan malzemeyi temizlerken veya üniteye bakım yaparken, tüm çalıştırma düğmelerinin kapalı olduğundan ve bataryanın çıkarıldığından veya bağlantısının kesildiğinden emin olun.** Sıkışan malzemeyi temizlerken veya bakım yaparken çit kesme makinesinin beklenmedik şekilde çalıştırılması ciddi yaralanmalara neden olabilir.
- Bıçak gömülü kablolarla temas edebileceğinden çit kesme makinesini yalnızca yalıtımlı tutma yüzeylerinden tutun.** Bıçakların, "elektrik akımı" bulunan kablolarla teması halinde "akım", çit kesme makinesinin iletken metal parçaları üzerinden operatöre iletilerek elektrik çarpmasına yol açabilir.
- Tüm elektrik kablolarını ve diğer kabloları kesim alanından uzak tutun.** Elektrik kabloları veya diğer kablolar çitlere veya çalılara gizlenmiş olabilir ve bıçak tarafından yanlışlıkla kesilebilir.
- Çit kesme makinesini, özellikle yıldırım tehlikesi mevcut olan kötü hava koşullarında kullanmayın.** Bu, yıldırım çarpma riskini azaltır.

UZATMALI ERİŞİMLİ ÇİT KESME MAKİNESİ GÜVENLİK UYARILARI

- Elektrik çarpması riskini azaltmak için, uzatmalı erişimli çit kesme makinesini hiçbir zaman elektrik hatlarının yakınında kullanmayın.** Elektrik hatlarıyla temas veya bunların yakınında kullanım, ciddi yaralanmalara veya ölümle sonuçlanan elektrik çarpmasına neden olabilir.
- Uzatmalı çit kesme makinesini çalıştırırken daima iki elinizi kullanın.** Kontrol kaybını önlemek için uzatmalı erişimli çit kesme makinesini iki elinizle tutun.
- Uzatmalı çit kesme makinesini başınızdan yukarıda çalıştırırken daima baş koruması kul-**

lanın. Düşen parçalar ciddi yaralanmalara neden olabilir.

EK GÜVENLİK UYARILARI

- Bu cihaz, bu kişilerin güvenliğinden sorumlu bir kişi tarafından gözetim veya talimat verilmediği sürece,** fiziksel, duyuşal veya zihinsel becerileri kısıtlı veya yeterli deneyim ve bilgiden yoksun kişilerce (çocuklar dahil) kullanılamaz. Çocuklar, bu cihazla oynamadıklarından emin olmak için gözlem altında tutulmalıdır.
- Makine ile çalışırken aleti daima iki elinizle sıkıca tutun ve güvenli bir duruş pozisyonu sağlayın.** Elektrikli alet iki elinizle daha güvenli yönlendirilir.
- Makineyi kullanırken her zaman tüm tutamakların ve siperlerin takılı olduğundan emin olun.** Tam monte edilmemiş bir makineyi veya üzerinde izinsiz bir değişiklik yapılmış bir makineyi kesinlikle kullanmaya çalışmayın.
- Kullanmadan önce kesme bıçağını daima koruyucu spreyle yağlayın.**
- Makineyi yere koymadan önce daima tamamen durmasını bekleyin.**
- Makine kullanılırken diğer kişiler ve hayvanlar 3 metre veya daha fazla mesafede durmalıdır.** Çalışma alanındaki üçüncü şahıslardan operatör sorumludur.
- Çit kesme makinesinin bıçağını asla elinizle tutmayın.**
- Çocuklar veya bu talimatlar hakkında bilgi sahibi olmayan kişiler çit kesme makinesini çalıştırmamalıdır.** Yerel yönetmelikler, operatörün yaşıyla ilgili sınırlandırma getirebilir.
- Yakında insanlar, özellikle çocuklar veya evcil hayvanlar varken asla çit kesmeyin.**
- Diğer kişilere veya onların mallarına dönük kazalar veya tehlikelerden kullanıcı sorumludur.**
- Çit kesme makinesini çıplak ayakla veya açık sandaletlerle çalıştırmayın, her zaman sağlam ayakkabılar ve uzun pantolonlar giyin.** Sağlam eldiven, kaymayan ayakkabı ve koruyucu gözlük kullanılması tavsiye edilir. Hareketli parçalara takılabilecek şekilde bol kıyafetler giymeyin veya takı takmayın.
- Çit budama makinesinin kullanılacağı alanı iyice inceleyin ve tüm kablo, tel ve diğer yabancı nesnelere çıkarın.**
- Çalıştırmadan önce kesici bıçakları, bıçak cıvatalarını ve kesici düzeneğini aşınma veya**

- hasar açısından kontrol edin.** Hasarlı veya aşırı yıpranmış bir kesme düzeneğiyle çalıştırmayın.
- Acil bir durumda çit kesme makinesini nasıl hızlı bir şekilde durduracağınızı öğrenin.**
- Çit kesme işlemini yalnızca gün ışığında veya iyi bir aydınlatma olduğunda yapın.**
- Çit kesme makinesini asla siper yerinde olmadan veya hasarlı siperlerle çalıştırmayın.**
- Çit kesme makinesini asla siperden tutarak taşımayın.**
- Çit kesme makinesini çalıştırırken, her zaman düzgün bir duruş ve denge sağlayın.**
- Çevrenize daima dikkat edin ve çit kesme makinesini çalıştırırken sesini duyamayacağınız olası tehlikelere karşı tetikte olun.**
- Çit kesme makinesinin daima güvenli koşullarda çalıştığından emin olmak için tüm somun, cıvata ve vidaların sıkı olmasına dikkat edin.**
- Çit kesme makinesi, çocukların erişemeyeceği kuru, yüksek veya kilitli bir yerde saklanmalıdır.**
- Güvenlik için, yıpranmış veya hasarlı parçaları değiştirin.**
- Bu konuda uzman olmadığınız sürece makineyi kendiniz tamir etmeye çalışmayın.**
- Ürünü iki elinizle sıkıca tutun.**

BATARYA İÇİN GÜVENLİK UYARILARI

- Bataryanın içini açmayın.** Kısa devre tehlikesi.
- Bataryayı ısıya, sürekli yoğun güneş ışığına, yangına, suya ve neme karşı koruyun.** Patlama tehlikesi.
- Bataryanın hasar görmesi ve yanlış kullanılması durumunda duman çıkabilir.** Bölgeyi havalandırın ve şikayet durumunda tıbbi yardım alın. Duman solunum sistemini tahriş edebilir.
- Bataryayı sadece Vonroc ürününüzle bağlantılı olarak kullanın.** Bu önlem tek başına bataryayı tehlikeli aşırı yüklenmeye karşı korur.
- Batarya, çivi veya tornavida gibi sivri uçlu nesnelere veya dışarıdan uygulanan kuvvetten ötürü zarar görebilir.** Dahili bir kısa devre oluşabilir ve batarya yanabilir, duman çıkabilir, patlayabilir veya aşırı ısınabilir.

ŞARJ ALETİ İÇİN GÜVENLİK UYARILARI

Kullanım amacı

Şarj aletiyle yalnızca CD801AA ve CD803AA tipi şarj edilebilir Bataryaları şarj edin. Başka tip bataryalar patlayarak yaralanmalara ve hasara neden olabilir.

- Cihaz, gözetim altında tutulmaksızın veya cihazın kullanımı hakkında bilgi verilmeksizin,**

fiziksel, duyuşsal veya zihinsel kapasiteleri sınır-
lı veya ilgili deneyim ve bilgiden yoksun kişiler
(çocuklar dahil) tarafından kullanılmamalıdır.

- b) Çocuklar cihazla oynamaları için gözetim altında tutulur.
c) Şarj edilebilir olmayan bataryaları şarj etmeyin!
d) Şarj sırasında bataryalar iyi havalandırılmalı bir bölgeye yerleştirelmelidir!

Elektrik güvenliđi



Daima güç kaynađı geriliminin anma değerleri plakasındaki gerilime karşılık gelip gelmediđini kontrol edin.

- Güç kaynađı kablosu veya şebeke fişini hasar görmüşse makineyi kullanmayın.
- Sadece makinenin güç değerleri açısından uygun, minimum 1,5 mm² kalınlıđa sahip uzatma kabloları kullanın. Bir uzatma kablosu makarası kullanıyorsanız kabloyu daima tam olarak açın.

2. MAKİNE BİLGİSİ

Kullanım amacı

Bu makine, kullanıcı yerdeyken yüksek konumdaki çitleri ve çalıları kesmek ve budamak için evde kullanım amacıyla tasarlanmıştır. Makine bir merdiven veya basamaklarda kullanılmak üzere tasarlanmıştır. Makine çim kesmek için tasarlanmamıştır ve çim biçme makinesi olarak kullanılamaz. Bu alet ticari veya endüstriyel amaçlı kullanım için tasarlanmamıştır.

TEKNİK SPESİFİKASYONLAR



Bu kılavuz farklı takımlar/ürün numaraları için hazırlanmıştır. Takımınızın doğru bileşenleri ve içeriđi için aşağıdaki özellikler tablosundaki ilgili ürün numarasına bakın.

Model No.	Dahil olan bataryalar	Dahil olan şarj aletleri
HT503DC	-	-
S_HT503DC	CD801AA	CD802AA
S2_HT503DC	2 x CD801AA	CD802AA
S3_HT503DC	CD803AA	CD802AA

Makine bilgisi	
Voltaj	20 V
Yüksüz strok hızı	1200/dak
Bıçak uzunluđu	36 cm
Diş açıklıđı	23 mm
Uzunluk ayarı	200-260 cm
Ses basınç seviyesi (LpA)	77,9dB, k=3dB
Ses güç seviyesi (LWA)	87,8dB, k=3dB
Garanti edilen LWA	91dB
Vibrasyon	ön tutamak ah=2,55m/s ² arka tutamak ah=2,48m/s ² K=1.5m/s ²
Ađırlık	2,3kg

Model No.	CD801AA
Batarya tipi	Lityum-iyon
Voltaj	20 V
Kapasite	2,0 Ah
Önerilen şarj cihazı	CD802AA
Ađırlık	0,3kg

Model No.	CD802AA
Şarj aleti girişi	220-240V, 50Hz 0,4A
Şarj aleti çıkışı	21V 2,5A
2Ah batarya için şarj olma süresi	60 dakika
4Ah batarya için şarj olma süresi	120 dakika
Önerilen bataryalar	CD801AA, CD803AA
Ađırlık	0,36kg

Model No.	CD803AA
Batarya tipi	Lityum-iyon
Voltaj	20 V
Kapasite	4,0 Ah
Önerilen şarj cihazı	CD802AA
Ađırlık	0,65kg

Sadece aşağıdaki VONROC VPOWER 20V batarya platformuna ait bataryaları kullanın. Başka batarya kullanmak, ciddi yaralanmalara neden olabilir veya alete zarar verebilir.

CD801AA 20V, 2Ah Lityum-İyon
CD803AA 20V, 4Ah Lityum-İyon

Bu bataryaları şarj etmek için aşağıdaki şarj aleti kullanılabilir.

CD802AA Hızlı şarj aleti

VONROC VPOWER 20V batarya platformuna ait bataryalar, tüm VONROC VPOWER 20V batarya platformu aletleriyle karşılıklı değiştirilerek kullanılabilir.

AÇIKLAMA

Metindeki numaralar sayfa 2-5'deki çizimleri ifade etmektedir.

1. Çit kesici kafası
2. Kafa ayarlama düğmesi
3. Kafa kilitleme halkası
4. Çit kesici bıçağı
5. Tutamak kilitleme kolu
6. Çalıştırma düğmesi
7. Teleskopik tutamak
8. Elektrik konektörü
9. Omuz askısı
10. Tespit segmanı
11. Koruyucu kılıf
12. Batarya
13. Batarya şarj aleti
14. Batarya serbest bırakma düğmesi
15. Batarya LED göstergeleri düğmesi
16. Batarya LED göstergeleri
17. Şarj aleti LED göstergeleri

3. MONTAJI



Elektrikli alet üzerinde herhangi bir işlem yapmadan (bakım, alet değişimi, montaj) önce bataryayı elektrikli aletten çıkarın.



İlk kullanımdan önce batarya şarj edilmelidir.

Bataryanın makineye takılması (Şekil B-1)

Şarj aletine veya makineye bağlamadan önce bataryanın dış kısmının temiz ve kuru olmasını sağlayın.

1. Bataryayı (12) Şekil B-1'de gösterildiği gibi makinenin tabanına takın.
2. Yerine oturana kadar bataryayı ileriye doğru itin.

Bataryanın makineden çıkartılması (Şekil B-1)

1. Batarya serbest bırakma düğmesine (14) basın.

2. Bataryayı, Şekil B-1'de gösterildiği gibi makineden çekin.

Batarya şarj durumunun kontrol edilmesi (Şekil B-2)

- Batarya şarj durumunu kontrol etmek için, batarya üzerindeki düğmeye (15) kısa süreli basın.
- Batarya, şarj seviyesini belirten 3 ışığa sahiptir, ne kadar çok ışık yanarsa, bataryada o kadar çok şarj kalmış demektir.
- Işıklar yanmıyorsa batarya boş demektir ve hemen şarj edilmelidir.

Bataryanın şarj cihazıyla şarj edilmesi (Şekil B-2)

1. Bataryayı (12) makineden çıkartın.
2. Bataryayı (12) baş aşağı konuma çevirin ve Şekil B-2'de gösterildiği gibi şarj cihazının (13) üzerine kaydırın.
3. Yuvaya tamamen yerleşene kadar bataryayı itin.
4. Şarj cihazı fişini bir elektrik çıkışına takın ve bir süre bekleyin. Şarj cihazı (17) üzerindeki LED göstergeleri yanacak ve şarj durumunu gösterecektir.

Şarj cihazında, şarj işleminin durumunu gösteren 2 LED göstergesi (17) bulunur:

Kırmızı LED Durumu	Yeşil LED Durumu	Şarj aleti durumu
Kapalı	Kapalı	Güç yok
Kapalı	Açık	Bekleme modu: - Batarya yerleştirilmemiş veya, - Batarya yerleştirilmiş fakat şarj işlemi sona ermiş
Açık	Kapalı	Batarya şarj ediliyor

- 2Ah bataryayı tam olarak şarj etmek 60 dakika sürebilir.
- 4Ah bataryayı tam olarak şarj etmek 120 dakika sürebilir.

Batarya tamamen şarj olduktan sonra şarj cihazı fişini prizden çıkarın ve bataryayı şarj cihazından çıkarın.



Makine uzun bir süre kullanılmayacaksa, bataryayı şarj edilmiş durumda saklamak en iyisidir.

Aletin montajı (Şekil C, D)

- Omuz askısını (9) tespit segmanı (10) kullanarak tutamak (7) üzerindeki halkaya takın.
- Kafa kilitleme halkasını (3) saat yönünün tersine çevirerek serbest bırakın. Halkayı kafadan tamamen çıkarmayın.
- Elektrik konektörünü (8) kafaya takarak çit kesici kafasını (1) teleskopik tutamağa (7) takın.
- Konektör (8) düzgün takılmadıysa, elektrik bağlantısı olmayabilir ve alet çalışmayabilir. Elektrik konektörünün çit kesici kafasına tam olarak takıldığından emin olun. Tutamak üzerindeki vida (18), kesici başlık (1) ve kilitleme halkası (3) tarafından kapatılmalıdır.
- Kilitleme halkasını (3) saat yönünde çevirerek çit kesici kafasını (1) sabitleyin

Teleskopik uzunluğun ayarlanması (Şekil E-1, E-2)

- Teleskopik tutamağı (7) serbest bırakmak için tutamağın (5) kilidini açın.
- Teleskopik tutamağı (7) istenen uzunluğa uzatın veya geri çekin.
- Kolu (5) kilitleyerek teleskopik tutamağı sabitleyin.

Çit kesici döner kafasının ayarlanması (Şekil F-1, F-2)

- Çit kesici kafasının (1) yanındaki düğmeye (2) basın.
- Kafayı istenen konuma ayarlayın.
- Düğmeyi (2) bırakın ve kafanın yerine kilitlendiğinden emin olun.

4. ÇALIŞTIRMA

Kullanmadan önce (Şekil G)

Bıçak siperini (11) çıkartın ve bıçakları (4) yağlayın.

Açma ve kapatma

Çit kesme makinesini daima iki elinizle tutun. Bir elinizi teleskopik tutamağa (7) ve diğer elinizi çalışma düğmesinin yanındaki arka tutamağa koyun. Makineyi çalıştırmak için çalışma düğmesine (6) basın ve basılı tutun. Çalıştırma düğmesi bırakıldığında makine otomatik olarak duracaktır.

Kullanım sonrası

Bir fırça veya bez kullanarak bıçaklardaki (4) kir ve kalıntıları silin. Makineyi depoya kaldırmadan önce bıçakları yağlayın, bıçak muhafazasını (11) yerleştirin ve bataryayı (12) çıkartın.

5. BAKIM



Temizlik ve bakımdan önce her zaman makineyi kapatın ve bataryayı makineden çıkartın.

Makine kaplamalarını yumuşak bir bezle, tercihen her kullanımdan sonra düzenli olarak temizleyin. Havalandırma deliklerinin toz ve kirden arınmış olduğundan emin olun. Çok inatçı kirleri sabun köpüğüyle ıslatılmış yumuşak bir bezle çıkarın. Benzin, alkol, amonyak vb. gibi çözücü maddeleri kullanmayın. Bu tür kimyasallar sentetik bileşenlere zarar verir.

Kesme bıçağı

- Kesme bıçaklarını tutarken veya temizlerken daima eldiven giyin.
- Kesme bıçağını temizleyin ve her kullanımdan sonra koruyucu yağ püskürtün. Uzun çalışma süreleri boyunca kullanılması durumunda kesme bıçağının koruyucu yağ ile düzenli aralıklarla yağlanmasını tavsiye ederiz.
- Kesme bıçağının durumunu gözle bakarak inceleyin. Vidaların kesici çubuğa sıkıca oturup oturmadığını kontrol edin.

Saklama

Çit kesme makinesi, çocukların erişemeyeceği, güvenli ve kuru bir yerde saklanmalıdır. Aletin üzerine başka nesnelere koymayın.

ÇEVRE



Arızalı ve/veya atılmış elektrikli veya elektronik ekipmanların uygun geri dönüşüm alanlarında toplanması gerekir.

Yalnızca AT ülkeleri için

Elektrikli aletleri evsel atık olarak atmayın. Atık Elektrikli ve Elektronik Donanım için Avrupa İlkeleri 2012/19/EC'ye ve ulusal hak uygulamasına göre, artık kullanılamaz olan elektrikli aletler ayrı olarak toplanmalı ve çevreye zarar vermeden imha edilmelidir.

GARANTİ

VONROC ürünleri en yüksek kalite standartlarına göre geliştirilir ve orijinal satın alma tarihinden itibaren yasal olarak öngörülen süre boyunca hem malzeme hem de işçilik açısından kusursuzluk

garantisi verilir. Bu süre içinde üründe kusurlu malzeme ve/veya işçilik nedeniyle herhangi bir arıza meydana gelirse, doğrudan VONROC ile iletişime geçin.

Aşağıdaki durumlar bu garantinin dışındadır:

- Makinede, yetkili olmayan servis merkezleri tarafından onarım ve/veya değişiklikler yapılmış veya denenmişse;
- Normal aşınma ve yıpranma;
- Alet kötü amaçlı veya yanlış kullanılmışsa veya uygunsuz şekilde bakımı yapılmışsa;
- Orijinal olmayan yedek parçalar kullanılmışsa.

Bu, şirket tarafından açık veya zımni olarak verilen yegane garantiyi teşkil eder. İşbu kapsamda, satılabilirlik ve belirli bir amaca uygunluk zımni garantileri de dahil olmak üzere, burada görünenin ötesine geçen açık veya zımni herhangi bir başka garanti mevcut değildir. VONROC hiçbir durumda arızı veya dolaylı zararlardan sorumlu tutulamaz. Bayi tarafından sunulan çözümler; uygun olmayan birimlerin veya parçaların onarımı veya değiştirilmesi ile sınırlıdır.

Ürün ve kullanım kılavuzunda değişiklik yapılabilir. Teknik özellikler, önceden bildirilmeksizin değiştirilebilir.

DECLARATION OF CONFORMITY
HT503DC / S_HT503DC/ S2_HT503DC/ S3_HT503DC - TELESCOPIC HEDGE TRIMMER

- (EN) We declare under our sole responsibility that this product is in conformity with directive 2011/65/EU of the European parliament and of the council of 8 June on the restriction of the use of certain hazardous substances in electrical and electronic equipment is in conformity and accordance with the following standards and regulations:
- (DE) Der Hersteller erklärt eigenverantwortlich, dass dieses Produkt der Direktive 2011/65/EU des Europäischen Parlaments und des Rats vom 8. Juni 2011 über die Einschränkung der Anwendung von bestimmten gefährlichen Stoffen in elektrischen und elektronischen Geräten entspricht. den folgenden Standards und Vorschriften entspricht:
- (NL) Wij verklaren onder onze volledige verantwoordelijkheid dat dit product voldoet aan de conform Richtlijn 2011/65/EU van het Europees Parlement en de Raad van 8 juni 2011 betreffende beperking van het gebruik van bepaalde gevaarlijke stoffen in elektrische en elektronische apparatuur en in overeenstemming is met de volgende standaarden en reguleringen:
- (FR) Nous déclarons sous notre seule responsabilité que ce produit est conforme aux standards et directives suivants: est conforme à la Directive 2011/65/EU du Parlement Européen et du Conseil du 8 juin 2011 concernant la limitation d'usage de certaines substances dangereuses dans l'équipement électrique et électronique.
- (ES) Declaramos bajo nuestra exclusiva responsabilidad que este producto cumple con las siguientes normas y estándares de funcionamiento: se encuentra conforme con la Directiva 2011/65/UE del Parlamento Europeo y del Consejo de 8 de junio de 2011 sobre la restricción del uso de determinadas sustancias peligrosas en los equipos eléctricos y electrónicos.
- (IT) Dichiariamo, sotto la nostra responsabilità, che questo prodotto è conforme alle normative e ai regolamenti seguenti: è conforme alla Direttiva 2011/65/UE del Parlamento Europeo e del Consiglio dell'8 giugno 2011 sulla limitazione dell'uso di determinate sostanze pericolose nelle apparecchiature elettriche ed elettroniche.
- (SV) Vi garanterar på eget ansvar att denna produkt uppfyller och följer följande standarder och bestämmelser: uppfyller direktiv 2011/65/EU från Europeiska parlamentet och EG-rådet från den 8 juni 2011 om begränsningen av användning av farliga substanser i elektrisk och elektronisk utrustning.
- (FI) Vakuutamme omalla vastuullamme, että tämä tuote on tiettyjen vaarallisten aineiden käytön rajoittamisesta sähkö- ja elektroniikkalaitteissa 8. kesäkuuta annetun Euroopan parlamentin ja neuvoston direktiivin 2011/65/EU mukainen. Se täyttää seuraavien standardien ja määräysten vaatimukset:(DA) Vi erklærer under eget ansvar, at dette produkt er i overensstemmelse med følgende standarder og bestemmelser: er i overensstemmelse med direktiv 2011/65/EU fra Europa-Parlamentet og Rådet af 8. juni 2011 om begrænsning af anvendelsen af visse farlige stoffer i elektrisk og elektronisk udstyr.
- (NO) Vi erklærer under vårt eget fulle ansvar at dette produktet er i samsvar med direktiv 2011/65/EU fra det europeiske parlamentet og rådet av 8. juni om begrenning av bruken av visse farlige stoffer i elektrisk og elektronisk utstyr, og at det er i samsvar og overensstemmelse med følgende standarder og forskrifter:
- (DA) Vi erklærer under eget ansvar, at dette produkt er i overensstemmelse med Europa-Parlamentets og Rådets direktiv 2011/65/EU af 8. juni om begrænsning af bruken af visse farlige stoffer i elektrisk og elektronisk udstyr og overholder og er i overensstemmelse med følgende standarder og regler:
- (PL) Deklarujemy na własną odpowiedzialność, że ten produkt spełnia wymogi zawarte w następujących normach i przepisach: jest zgodny z Dyrektywą 2011/65/UE Parlamentu Europejskiego i Rady z dnia 8 czerwca 2011 r. w sprawie ograniczenia stosowania niektórych niebezpiecznych substancji w sprzęcie elektrycznym i elektronicznym.
- (RO) Declaram prin aceasta cu răspunderea deplină că produsul acesta este în conformitate cu următoarele standarde sau directive: este în conformitate cu Directiva 2011/65/UE a Parlamentului European și a Consiliului din 8 iunie 2011 cu privire la interzicerea utilizării anumitor substanțe periculoase la echipamentele electrice și electronice.
- (PT) Declaramos por nossa total responsabilidade-de que este produto está em conformidade e cumpre as normas e regulamentações que se seguem: está em conformidade com a Directiva 2011/65/EU do Parlamento Europeu e com o Conselho de 8 de Junho de 2011 no que respeita à restrição de utilização de determinadas substâncias perigosas existentes em equipamento eléctrico e electrónico.
- (HU) Felelősségünk teljes tudatában kijelentjük, hogy ez a termék teljes mértékben megfelel az alábbi szabványoknak és előírásoknak: je v souladu se směrnici 2011/65/EU Evropského parlamentu a Rady EU ze dne 8. června 2011, která se týká omezení použití určitých nebezpečných látek v elektrických a elektronických zařízeních.
- (CS) Na naši vlastní zodpovědnost prohlašujeme, že je tento výrobek v souladu s následujícími standardy a normami: Je v súlade s normou 2011/65/EÚ Európskeho parlamentu a Rady z 8. júna 2011 týkajúcej sa obmedzenia používania určitých nebezpečných látok v elektrickom a elektronicom vybavení.
- (TR) Bu ürünün, Avrupa Parlamentosunun 2011/65/EU ve 8 Haziran tarihli elektrikli ve elektronik eşyalar da bazı zararlı maddelerin sınırlandırılmasına ilişkin direktifine uygun olduğunu ve aşağıdaki standart ve düzenlemelerin hükümlerini karşılığında beyan eder bu konudaki tüm sorumluluğun tamamen bize ait olduğunu bildiririz:

HT503DC:

EN 62841-1, EN 62841-4-2, EN ISO 11680-1, EN ISO 12100-1, EN 55014-1, EN 55014-2, 2006/42/EC, 2014/30/EU, 2011/65/EU, 2012/19/EC S_HT503DC / S2_HT503DC / S3_HT503DC:

EN 62841-1, EN 62841-4-2, EN ISO 11680-1, EN ISO 12100-1, EN 60335-1, EN 60335-2-29, EN 55014-1, EN 55014-2, EN 61000-3-2, EN 61000-3-3, EN 62233, 2006/42/EC, 2014/30/EU, 2011/65/EU, 2014/35/EU, 2012/19/EC

Zwolle, 01-05-2022



H.G.F Rosberg
CEO

VONROC • Lingenstraat 6 • 8028 PM Zwolle • The Netherlands



VONROC®
BUILD YOUR FUTURE

©2022 VONROC
WWW.VONROC.COM

2205-30