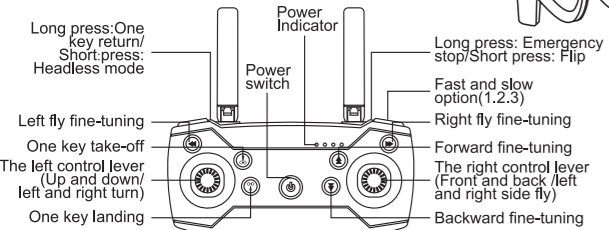
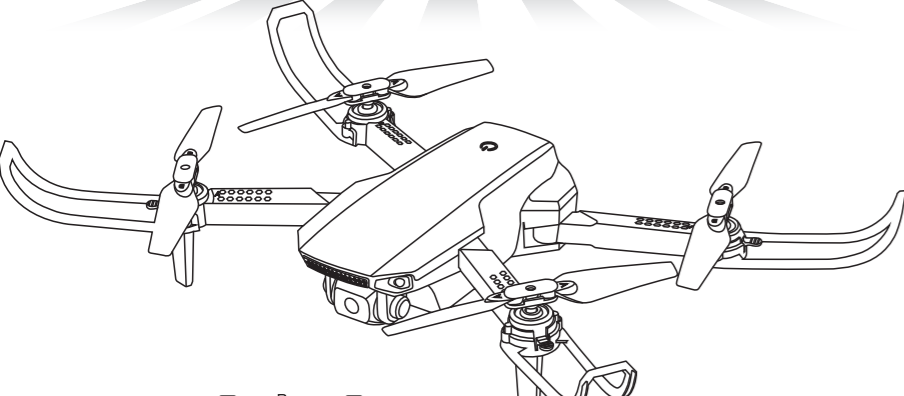


R/C QUADCOPTER

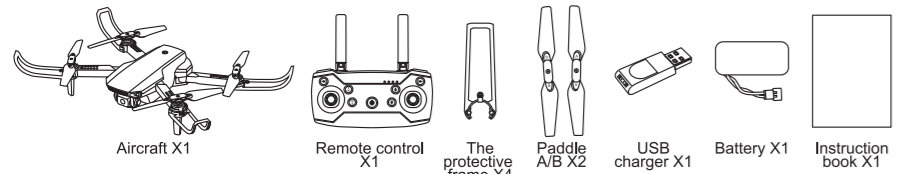
INSTRUCTION FOR USE

AGES 14+



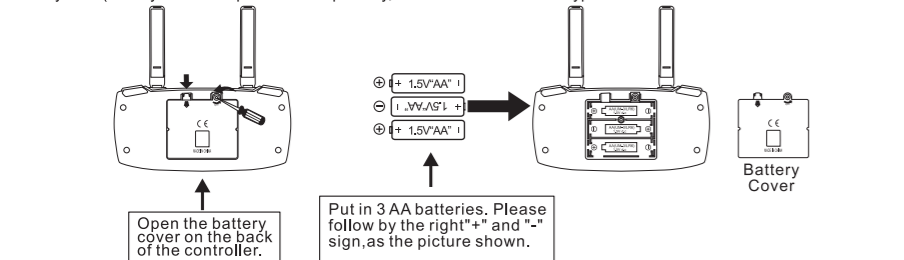
The knowledge and safety notes below are useful for you in the remote control world. Please read this manual carefully before operating this product and keep it for further reference.

1. THE PRODUCT PACKAGING CONTENTS



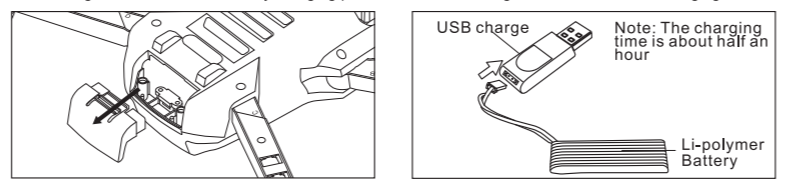
2. THE INSTALLATION OF BATTERY OF REMOTE CONTROL DEVICE

Open the battery cover on the back of remote controller. Insert 3X1.5V "AA" batteries in accordance with the instructions on battery box. (Battery should be purchased separately, old and new or different types of batteries)



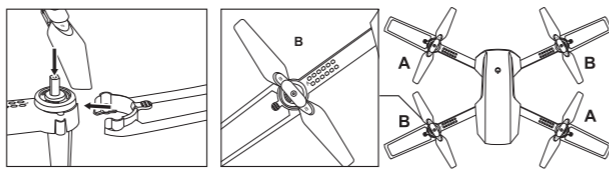
3. THE BATTERY CHARGING OF FLYING DEVICE

3.1 Insert USB charger into the USB interface on the computer or other chargers and then plug in, the indicator light will be on.
3.2 Take off the battery from the aircraft and then connect the battery socket with that on USB charger.
3.3 The indicator light will be off in the battery charging process; the indicator light will be on after full charging.



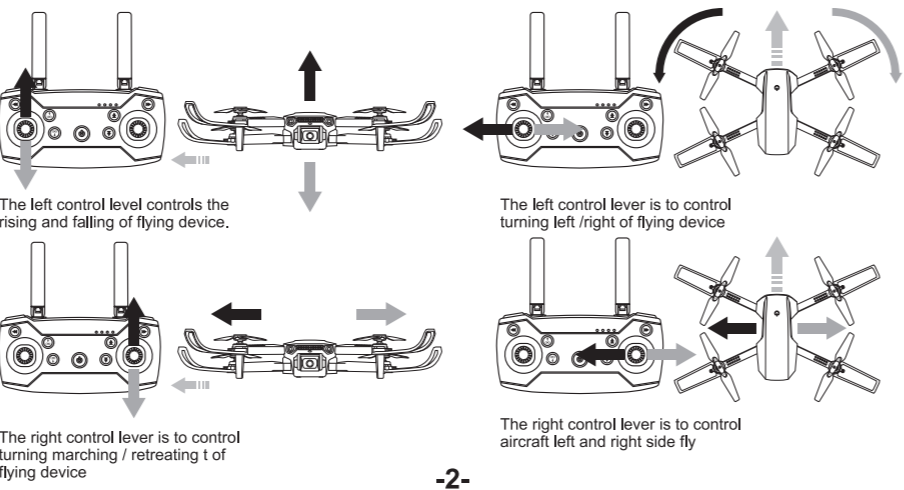
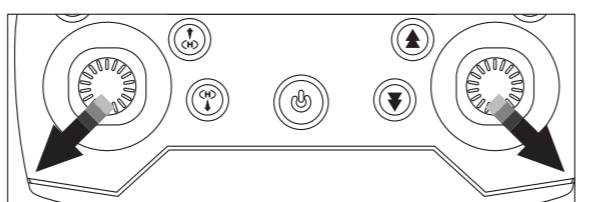
4. ASSEMBLE THE AIRCRAFT AND INSTALL THE BLADES

4.1 Prepare screwdriver, protect cover and paddle.
4.2 Insert four protection covers into the holes of the protection cover, which beside the four blades, and use the screw knife to lock four screws lightly.
4.3 Each paddle of flying device are not same, on each blade is marked with "A" or "B". When installing of paddle, please perform correctly installation according to the corresponding labels as shown in figure below. When paddle is not correctly installed, flying device can't take off, roll over, and skaling fly.



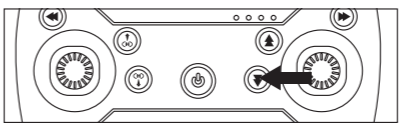
5. THE OPERATION AND CONTROL OF FLYING DEVICE

Note: Aircraft before takeoff must first correct the frequency. Aircraft lights flashing when the correction is completed after the lights lit. In avoidance of uncontrollable, when flying device moves, it always needs to pay attention on the operating level carefully. In the process of operation, the flying device may loss a little power, thus it needs to add power to march. (← The direction of aircraft head)



6. FINE-ADJUSTMENT

When the flying device is in the flight, it appears deviations (turning left/right; marching/retreating; left/right side); it is to adjust them by turning the opposition direction corresponding slight keys. For example: the flying device is deviated to front, so it is to adjust by turning the backward "marching/retreating slight" key as shown in figure.



7. FLIGHT SPEED ADJUSTMENT

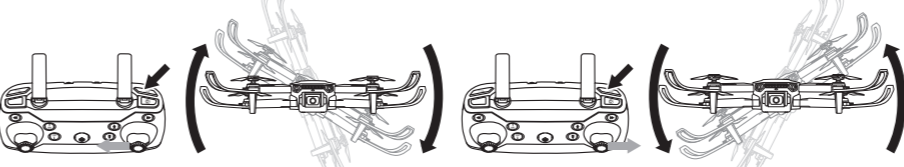
This air vehicle can switch from low speed, medium speed to high speed. The startup default is low speed. Press the gear switch key to change to medium speed, and press it again to high speed, cycling in turn. (The position of the gear switch key is shown in the figure)



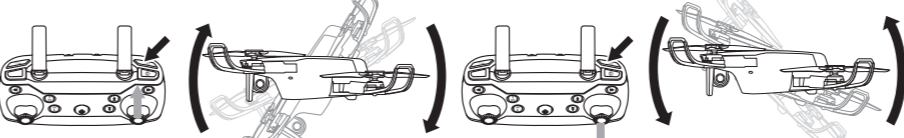
The speed of the air vehicle can be adjusted through this key. The higher the gear of the air vehicle, the faster the speed.

8. THE ROLLING MODEL

The flying device can perform rolling flight of 360 degrees by following operation. In order to better implement rolling function, and endure flying device is kept five meters height above the ground, it is better to operate rolling in the process of rising up. In this case, the flying device can be kept with height after flying device performs rolling action.



8.1 Left side somersault: Click "mode of conversion", and then push the right-control lever to left in maximum. After the flying device rolls, it is to turn control lever to the middle position.
8.2 Right side somersault: Click "mode of conversion", and then push the right-control lever to right in maximum. After the flying device rolls, it is to turn control lever to the middle position.

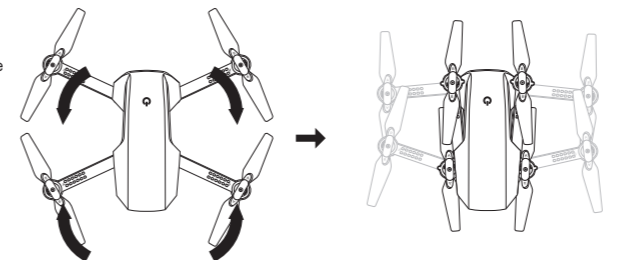


8.3 Front somersault: Click "mode of conversion", and then push the right-control lever to front in maximum. After the flying device rolls, it is to turn control lever to the middle position.
8.4 Backward somersault: Click "mode of conversion", and then push the right-control lever to backward in maximum. After the flying device rolls, it is to turn control lever to the middle position.

After entering into the "roll mode", if there is no need of rolling functions, then click the "mode conversion" key

9. FOUR-AXIS FOLDING INSTRUCTIONS

The wing is capable of expansion and contraction and folded toward the direction of the arrow. Note: the protective cover must be removed in the process of folding.



10. HEADLESS MODE WITH ONE KEY RETURN

That is in flight, no matter what position the aircraft is, no matter what direction it's attitude, as long as you click on the headless mode button, automatic locking direction aircraft takeoff. When found in aircraft flight has left you very far when you could not tell the direction, then click on the headless mode key, you can not recognize the direction to control the aircraft return; return key or click the auto-off direction of the vehicle will automatically return.
10.1 Of the code of the aircraft must head toward the front (or rear headless mode and automatic mode opening direction will return disorder)
10.2 When you need to use the headless mode, click on the headless mode key, the vehicle will automatically lock the direction of takeoff.
10.3 When you do not use the headless mode, then click the headless mode button to exit the headless mode.
10.4 When you want to automatically return, click the button to automatically return the aircraft is in the direction of takeoff will be automatically refunded.
10.5 Automatic return process can be controlled manually about the direction of the aircraft, pushing the joystick forward to exit automatic return function.
Warning: Try to choose less vision and pedestrians at the place with this aircraft, so as to avoid unnecessary losses!

11. TROUBLESHOOTING DURING FLIGHT

Situation	Cause	Way to deal
1 Receiver status LED blinks continuously for more than 4 seconds after flight vehicle battery inserted. No response to control input.	Unable to bind to transmitter.	Repeat the power up initializing process.
2 No response after battery is connected to flight vehicle.	1. Power to transmitter and receiver. 2. Check transmitter and receiver voltage. 3. Poor contact on battery terminals.	1. Turn on transmitter and ensure flight vehicle battery is inserted properly. 2. Use fully charged batteries. 3. Re-seat the battery and ensure good contact between battery contacts.
3 Motor does not respond to throttle stick, receiver LED flashes.	Flight vehicle battery depleted.	Fully charge the battery, or replace with a fully charged battery.
4 Main rotor spins but unable to take off.	1. Deformed main blades. 2. Flight vehicle battery depleted.	1. Replace main blades. 2. Charge or replace with fully charged battery.
5 Strong vibration of flight vehicle	Deformed main blades	Replace main blades
6 Tail still off trim after tab adjustment, or inconsistent speed during left/right proquette.	1. Damaged tail rotors 2. Damaged tail drive motor	1. Replace main blades 2. Replace the main motor
7 Flight vehicle still wonders forward after trim adjustment during hover.	Gyroscope midpoint not	The boot will lift fine-tune the normalized neutral point, reboot
8 Flight vehicle still wonders left/ right after trim adjustment during hover.	1. Motor off 2. Cone loose	1. Replace the motor 2. Installed tight cone

12. ACCESSORIES

