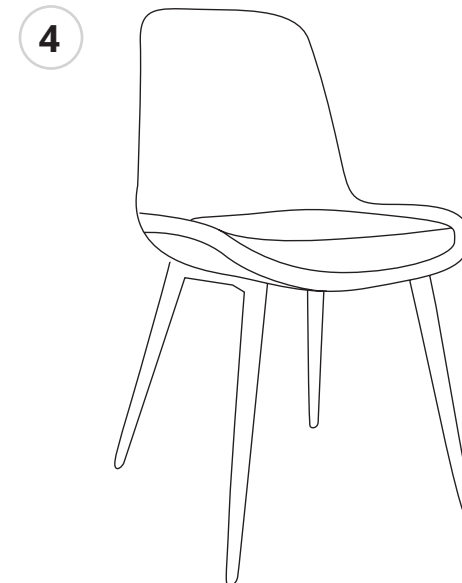
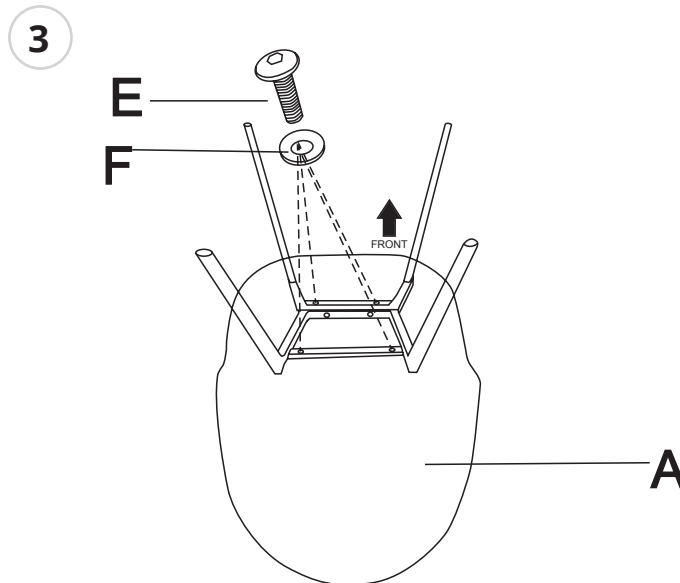
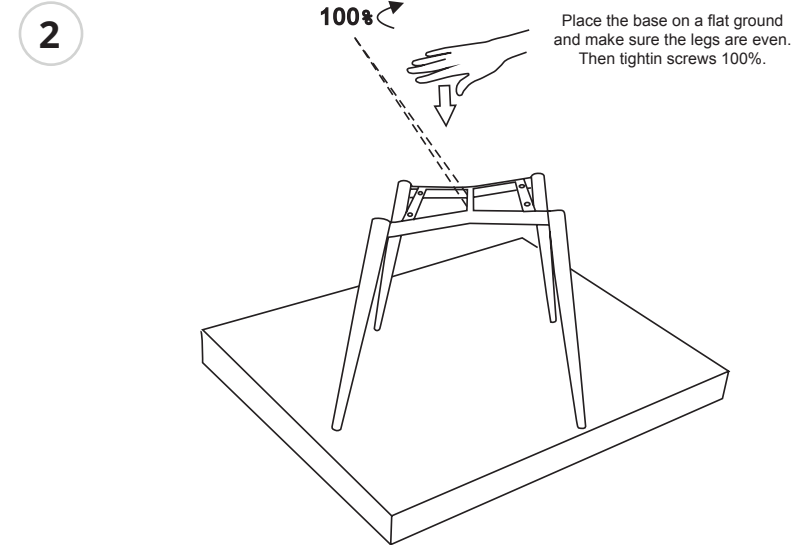
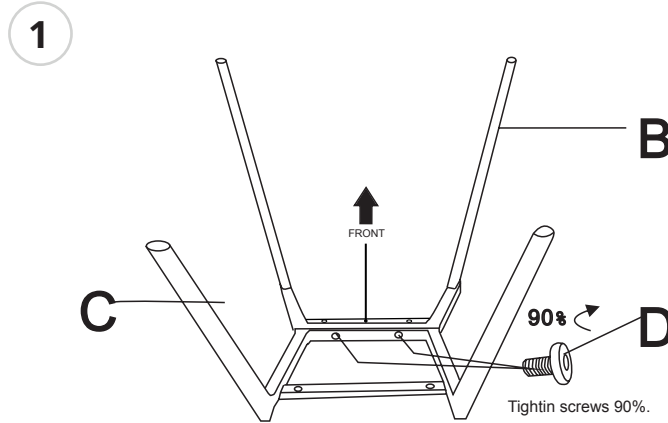


# Assembly instruction | Velvet chair with cushion



## Included parts

<b>A</b> x1	<b>B</b> x1
<b>C</b> x1	<b>D</b> x2 (M8*16)
<b>E</b> x4 (M6*25)	<b>F</b> x4 (M6*16*1)
<b>G</b> x1	

## Notes

- We recommend that you re-tighten the screws after a while for optimum retention of your chair.

