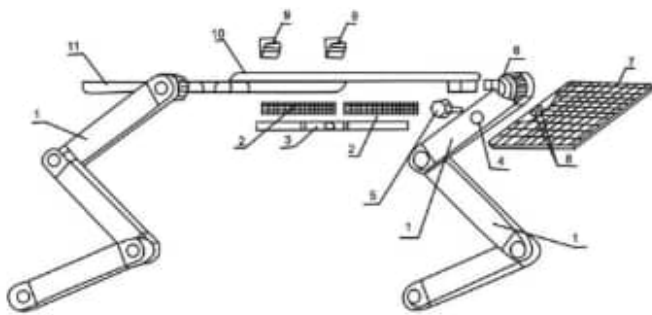


# Aluminum alloy folding table instructions



- 1, aluminum foot
- 2, fan
- 3, the fan cover
- 4, screw holes
- 5, screw
- 6, joint
- 7, the mouse board
- 8, the mouse board screw hole
- 9, anti-skid chain
- 10, baffle
- 11, desktop



Several reference common (the same position, according to the different scale, adjust degree below):

**Dial 1:**

**Dial 2:**

 1: a 0° b 45° c 75° 2: a 0° b 315° c 75°	 1: a 30° b 45° c 30° 2: a 30° b 315° c 30°	 1: a 90° b 90° c 0° 2: a 270° b 270° c 0°	 1: a 90° b 90° c 30° 2: a 270° b 270° c 30°
 1: a 0° b 0° c 30° 2: a 0° b 0° c 30°	 1: a 30° b 60° c 45° 2: a 30° b 300° c 45°	 1: a 120° b 30° c 135° 2: a 270° b 45° c 105°	 1: a 0° b 90° c 120° 2: a 0° b 90° c 120°

<p><b>Optional map</b></p> <p>Screw Through hole Screw nut</p>	<p><b>Optional figure two</b> Screw locking nut and complete assembly of any</p> <p>Mouse plate</p>	<p><b>Optional figure three</b> Rotary anti-skid chain to 90 degree angle to complete</p> <p>Baffle plate Skid chain Antiskid buckle notch alignment plate press</p>
--	---	--

The use of occasions: bed . Sofa. Desktop. Carpet car. Grass etc...

Usage : computer desk. Small desk board. Flower. Such as dining table ...

Object: adult children of all ages and is applicable.

Note: please do not use alternating current. Do not use a hard object

So as not to scratch the paint.

### Method of use:

1. According to the joint above the button. You can adjust the angle and the height of bracket. Release the button automatic fixed joint
2. Fan uses an USB connection computer round plug hole computer desk open the top switch
3. Subject of right side. The first section frame has a hole. From inside to outside through screws. At the mouse plate screw locking
4. Anti-skid sheet below the protrusions. Gap down alignment. Press down to below the rotating projection plane fixed