



## 5 in 1 Pro Multiport Hub

Model #: LQ48014

## Product Manual

Package Contents  
USB-C Pro Multiport Hub x1,  
User Manual x1

[www.LINQbyELEMENTS.dk](http://www.LINQbyELEMENTS.dk)

Thank you for purchasing our  
5 in 1 **Pro Multiport Hub**.

Please read this user manual  
carefully and keep it in a safe place  
for future reference. If you need  
any assistance, please contact our  
support team with your product  
model number and order number of  
relevant sales channel.

### Product Specifications



#### HDMI 4K @ 60Hz

Up to 4k UHD (3840 x 2160 @  
60Hz), supports 1440p / 1080p  
/ 720p / 480p / 360p



#### USB-A Super Speed+

Super Speed USB-A 3.2 Gen 2,  
Max data transfer speed 10Gbps  
Power Supply up to 4.5W Max.



#### USB-C Super Speed+

Super Speed USB-C 3.2 Gen 2,  
Max data transfer speed 10Gbps  
Power Supply up to 4.5W Max  
(Only for Data Transfer)



#### USB-C PD Port

Charging up to 100W of Power  
Delivery 3.0 (Only for laptop  
charging)



#### USB-C Connector

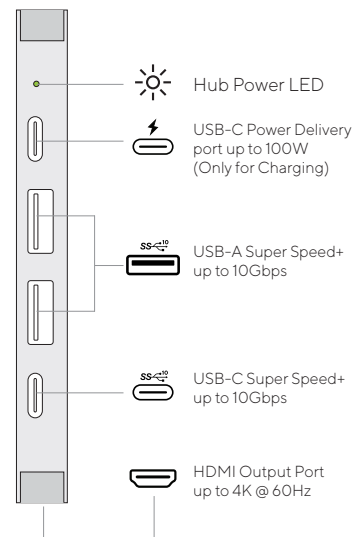
Compatible with Thunderbolt 3.  
Make sure that the host USB-C  
port on your device complies  
with the USB3.0/3.1/3.2  
Specification

System Requirements:  
Laptop with an available USB-C  
Port Windows 7/8/10, MacOSX  
v10.0 or above operating systems,  
USB 3.0/3.1/3.2

Plug and play:

Yes

### Overview





## Notes

1. Only one hub is included, power adapters, SD/TF memory cards, cables or other accessories are not included.
2. The up to 100W charging speed can only be achieved when used with a 100W rated USB-C PD cable in combination of 100W type-C PD Power Adapter.
3. The USB Super Speed Ports of this product supports Max. 5V 900mAh total charging output.
4. For more stable connection when using high-power devices, connect a PD Power Adaptor to the USB-C PD port.
5. The USB-C PD port of this product is only for charging USB-C laptops whose USB-C Port supports USB Power Delivery (PD). The USB-C PD Port of this product does not support data transfer.
6. The USB-C Super Speed port of this product is only for data transfer. The USB-C Super Speed port of this product does not support charging.
7. A 4K capable display and a 4K capable HDMI cable are required to achieve 3840 x 2160 resolution.
8. HDMI 1.4 cables only support 30Hz, HDMI 2.0 cables support 4K up to 60Hz.

9. 4K 60Hz Compatibility requires a DP 1.4 compatible type-C port on your device.

## How to Use

Plug the USB-C connector of the Hub into the USB-C port on your USB-C laptop.

1. USB-C Power Delivery: Charge your laptop by plugging the USB-C Charger to the Multiport Hub USB-C Female Power Delivery (PD) port.
2. HDMI Output: Connect to your UHDTV or projector with an HDMI 2.0 cable via the HDMI output port and watch videos from your USB-C laptop on your TV or other HDMI-enabled devices.
3. USB-C Super Speed: Connect your smart phone, tablet, hard drive or other USB-C peripherals via the USB-C 3.2 Port and transfer data between your computer and connected device.
4. USB-A Super Speed: Connect your smart phone, tablet, mouse, keyboard, hard drive or other USB peripherals via the USB-A 3.2 ports and transfer data between your computer and connected device.

## Troubleshooting

if you experience any issues or have any question regarding the hub, please visit the support and FAQ page on our website for most up to date information.

LINQ | Support

<https://linqbyelements.dk/support.html>

## Compatibilities

Details regarding compatibility of devices can be found on our website or consult your devices manual.

visit:

[www.LINQbyELEMENTS.dk](http://www.LINQbyELEMENTS.dk)

