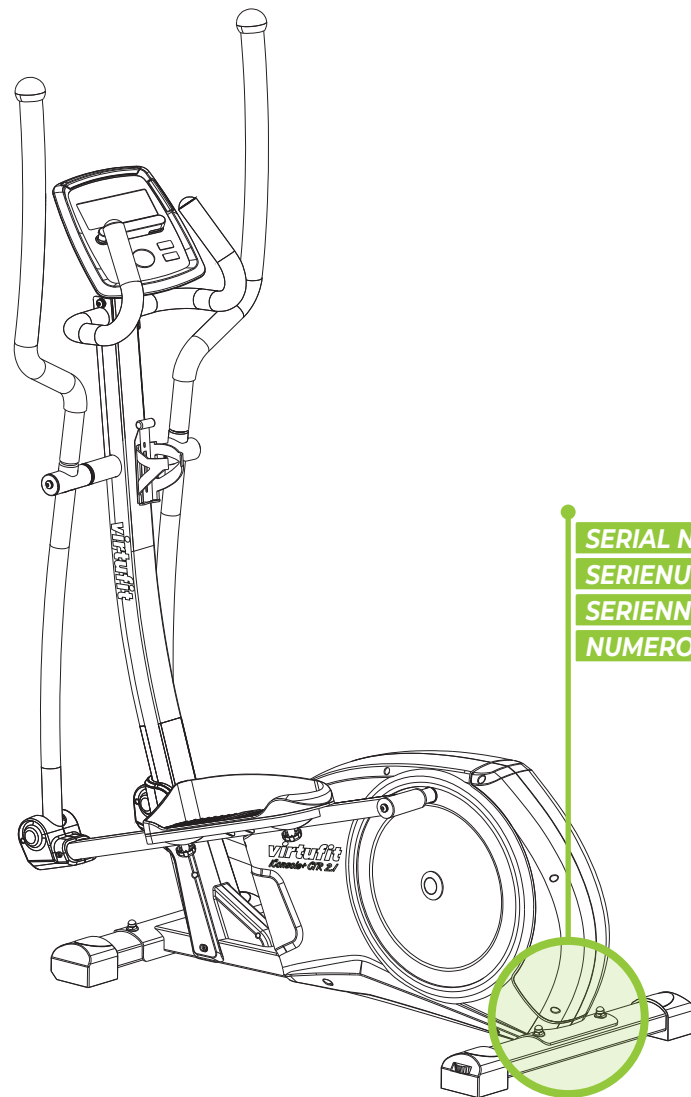


virtufit

iConsole CTR 2.1

CTR 2.1



SERIAL NUMBER
SERIENUMMER
SERIENNUMMER
NUMERO DE SERIE

ASSEMBLY
VIDEO



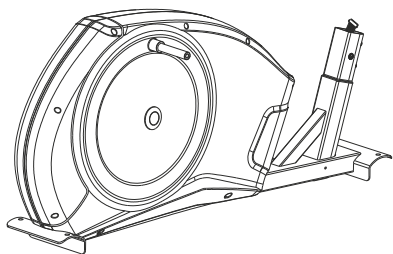
📍 @virtufit_fitness

▶ VirtuFit

🌐 www.virtufit.com

USER MANUAL

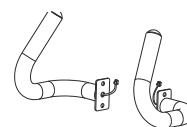
TOOLKIT



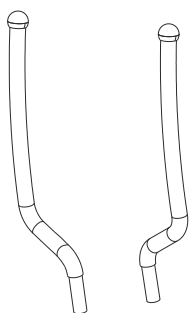
MAIN FRAME



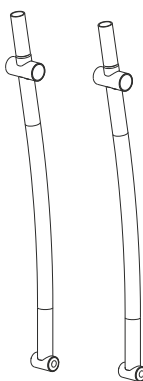
CONSOLE



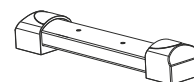
HANDLEBAR (L+R)



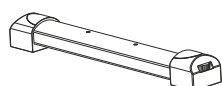
UPPER HANDLEBAR (L+R)



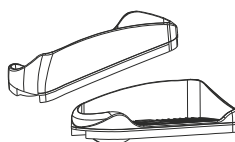
LOWER HANDLEBAR (L+R)



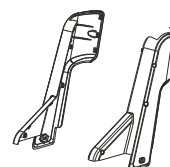
FRONT STABILIZER



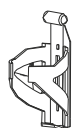
REAR STABILIZER



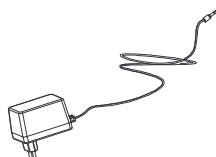
FOOTPLATE (L+R)



PLASTIC COVER FRONT (L+R)



BOTTLE HOLDER

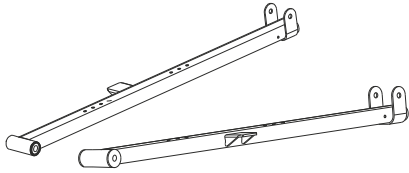


ADAPTER

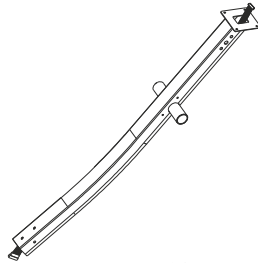


ROTATION ROD

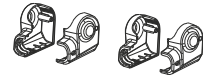
TOOLKIT



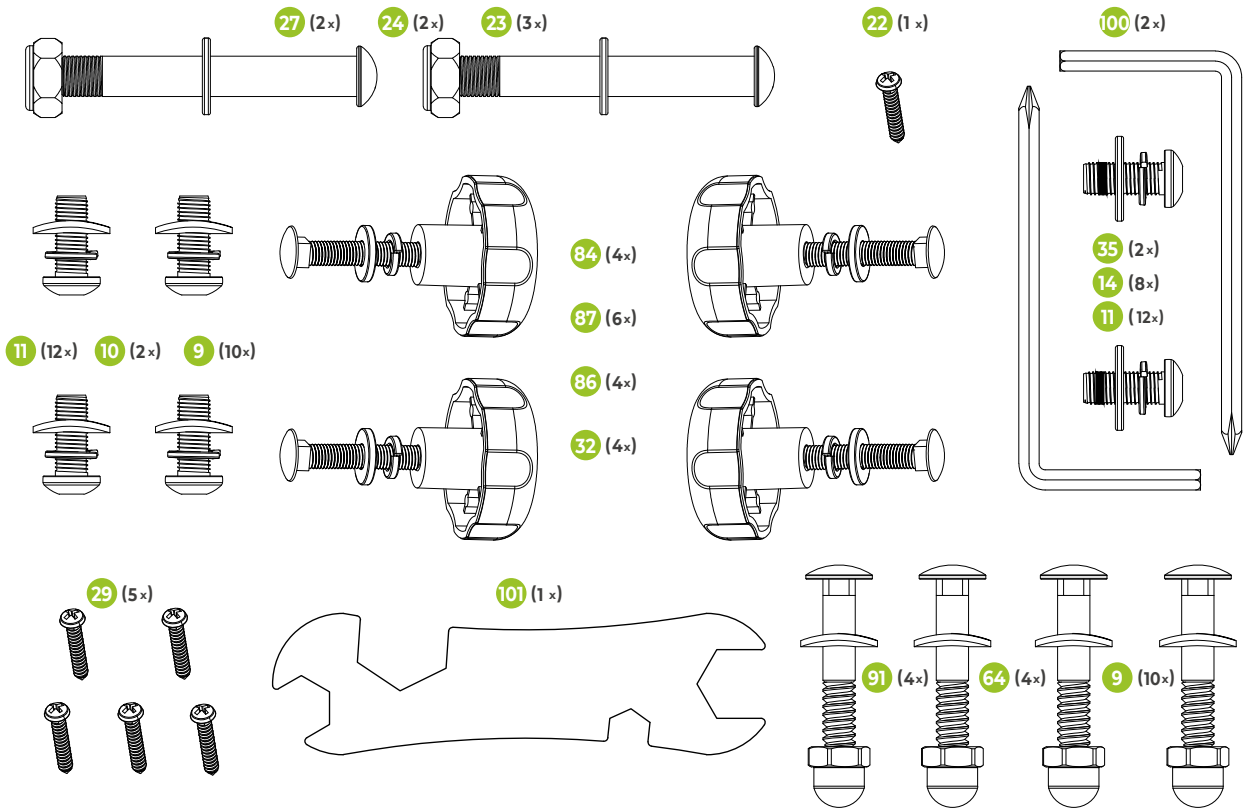
FOOT SUPPORT BAR (L+R)



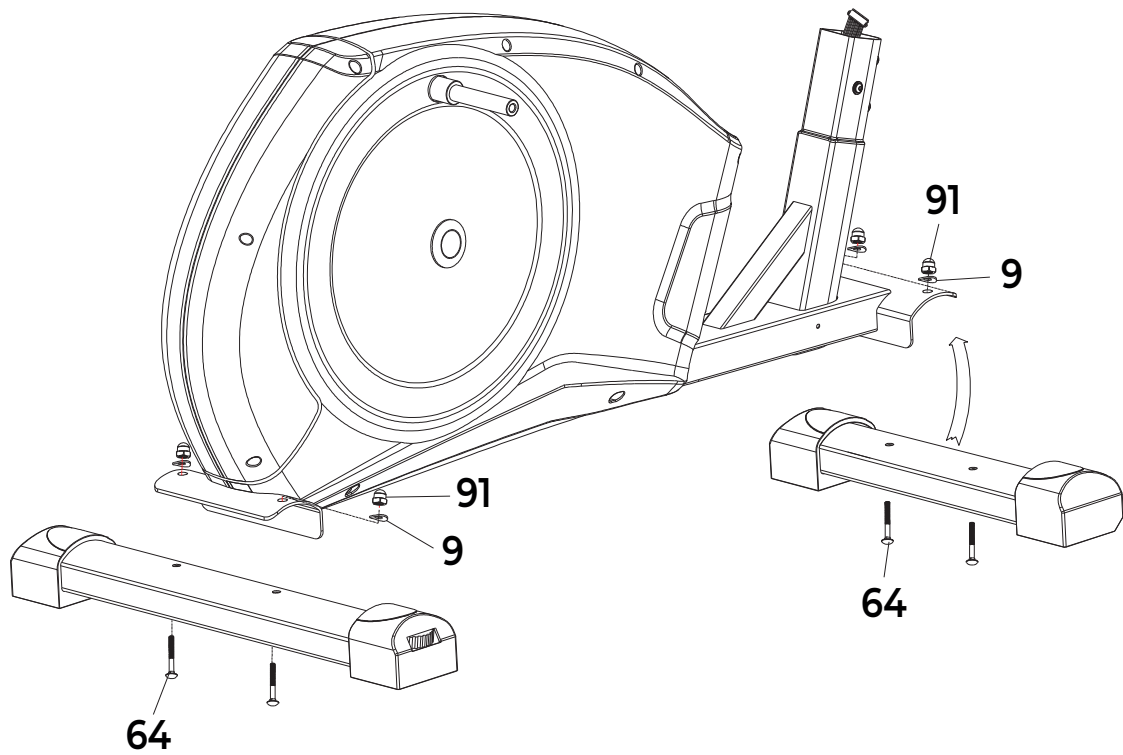
HANDLEBAR POST



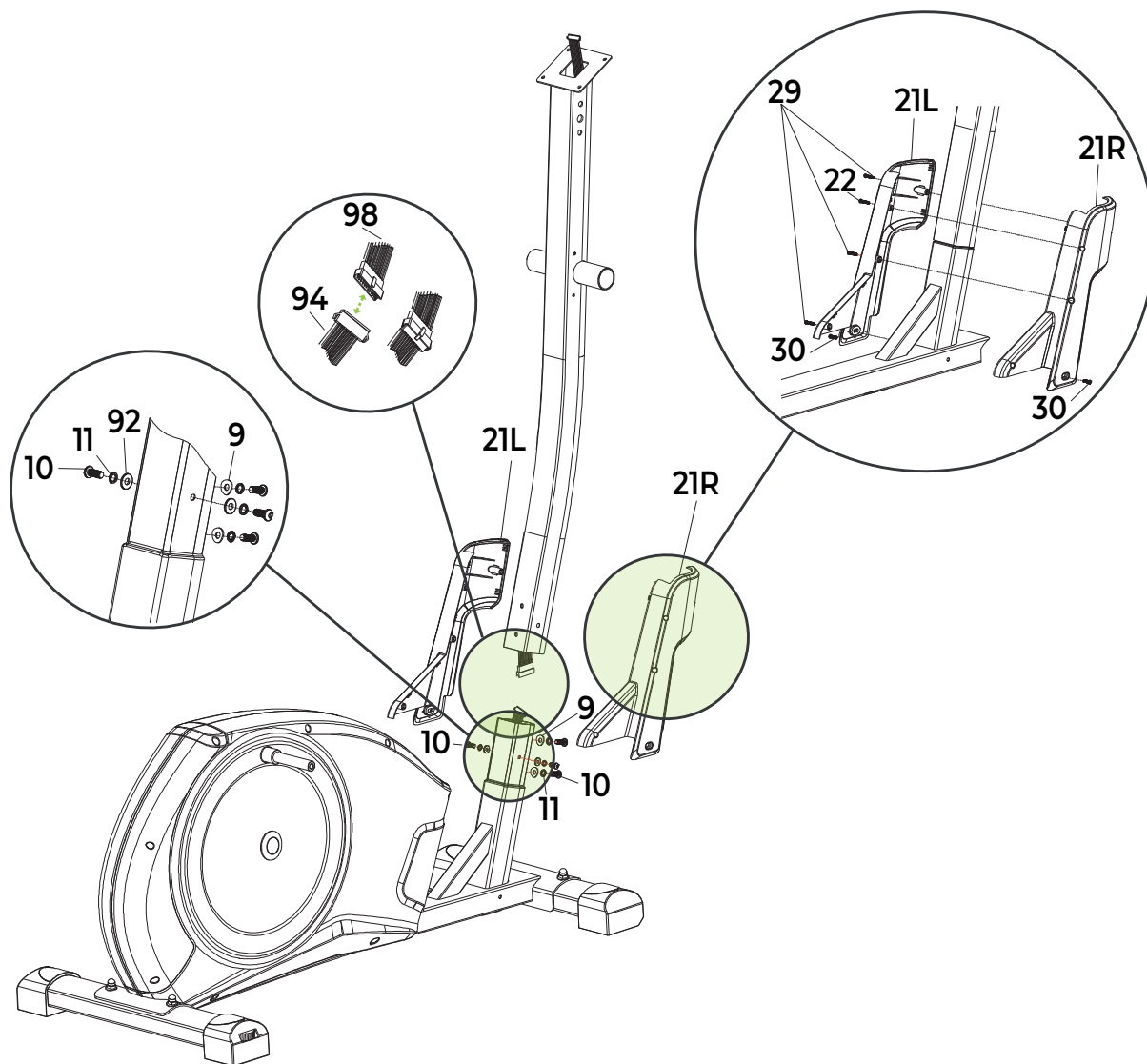
PLASTIC COVER FOOT (L+R)



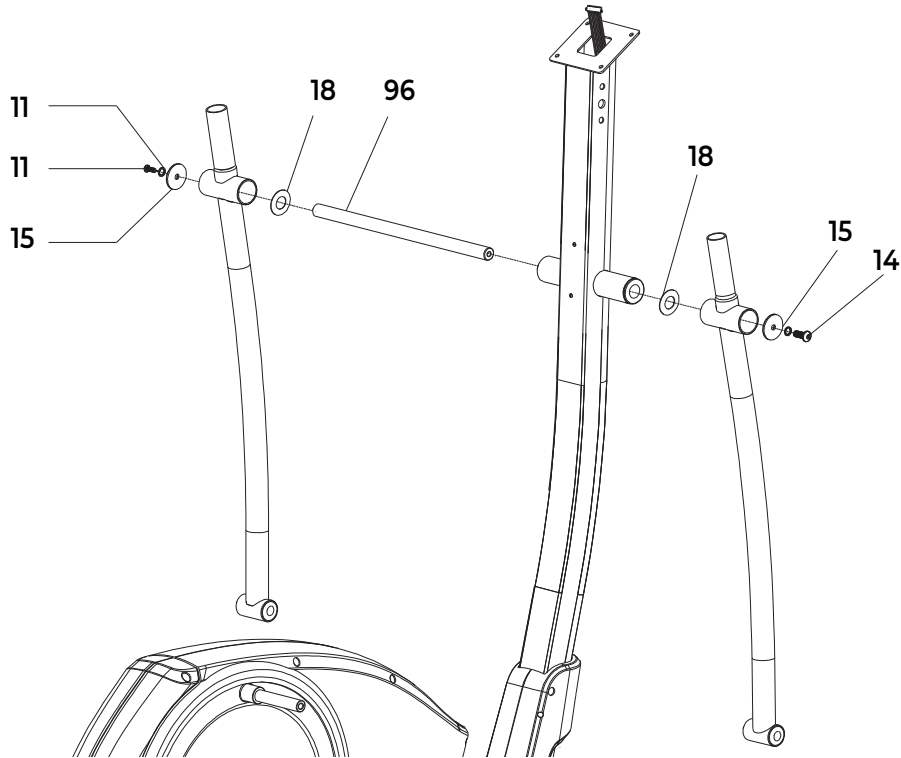
STEP 01



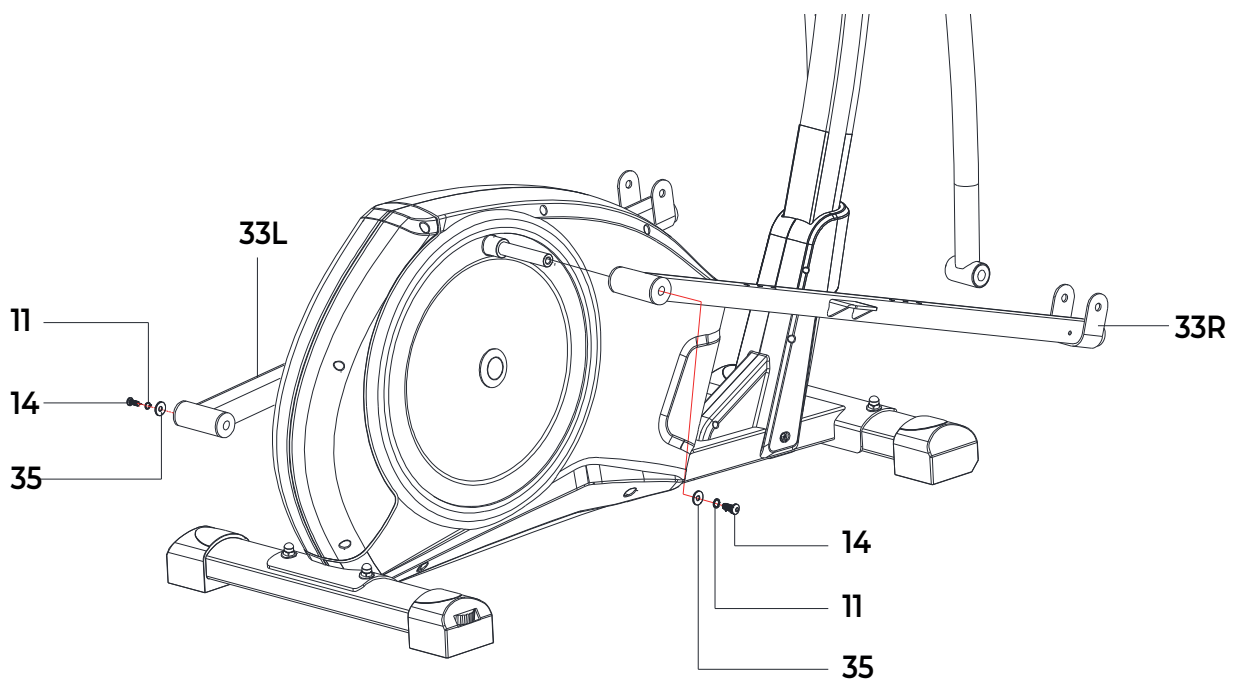
STEP 02



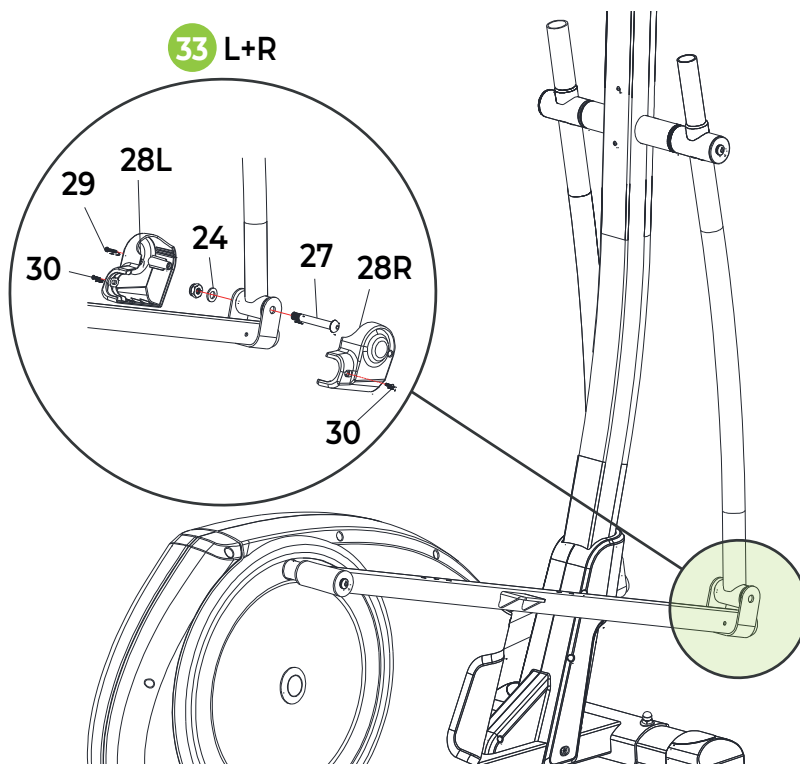
STEP 03



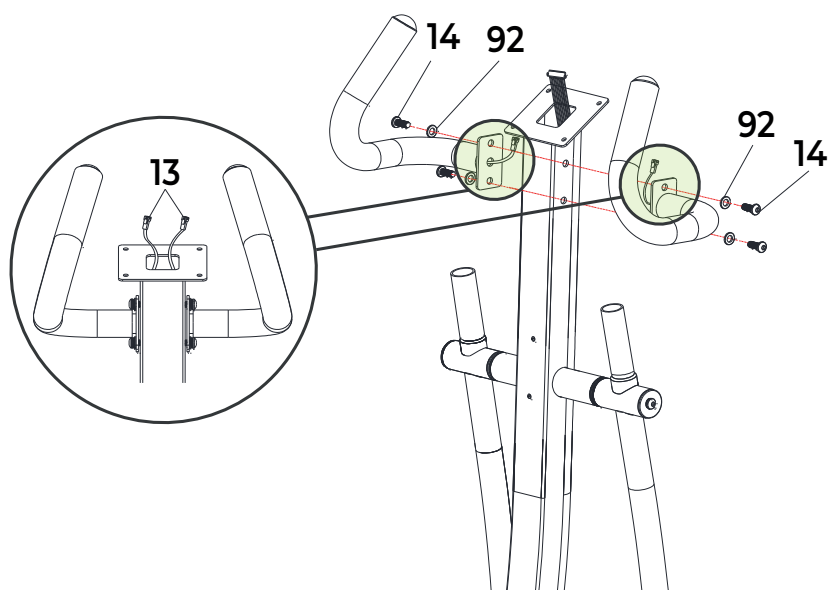
STEP 04



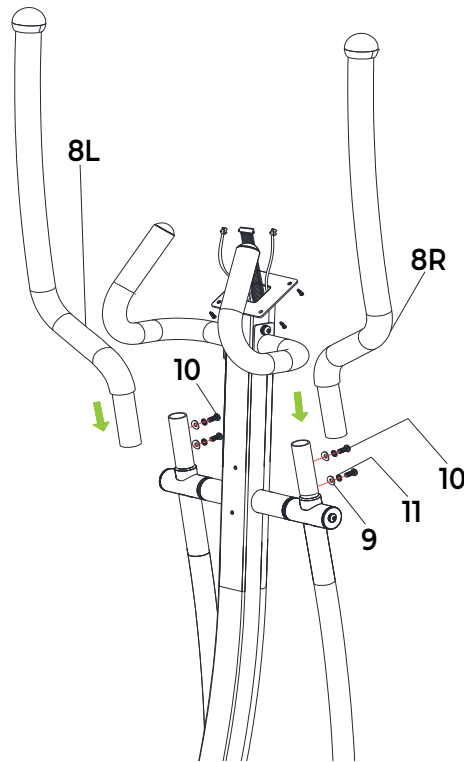
STEP 05



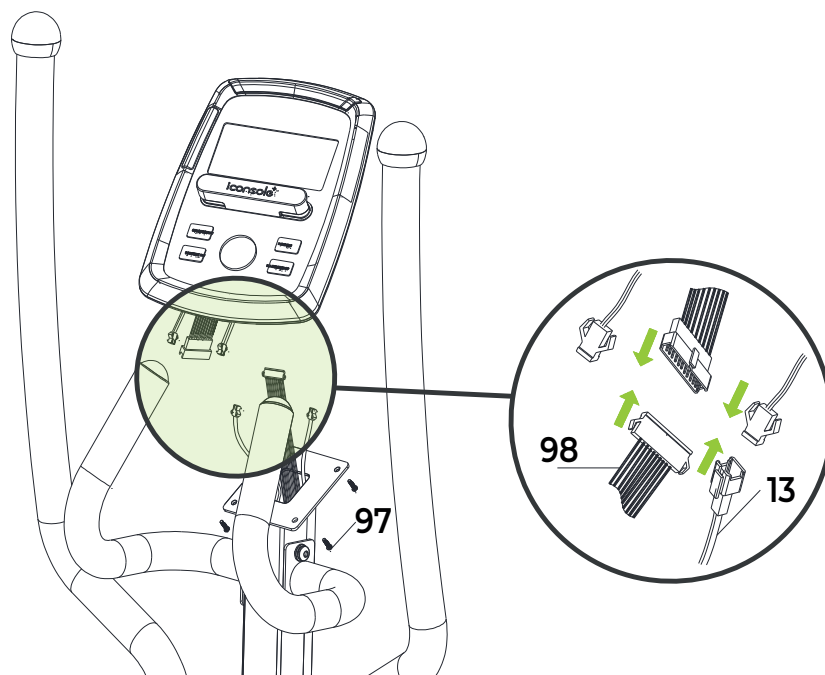
STEP 06



STEP 07



STEP 08



STEP 09

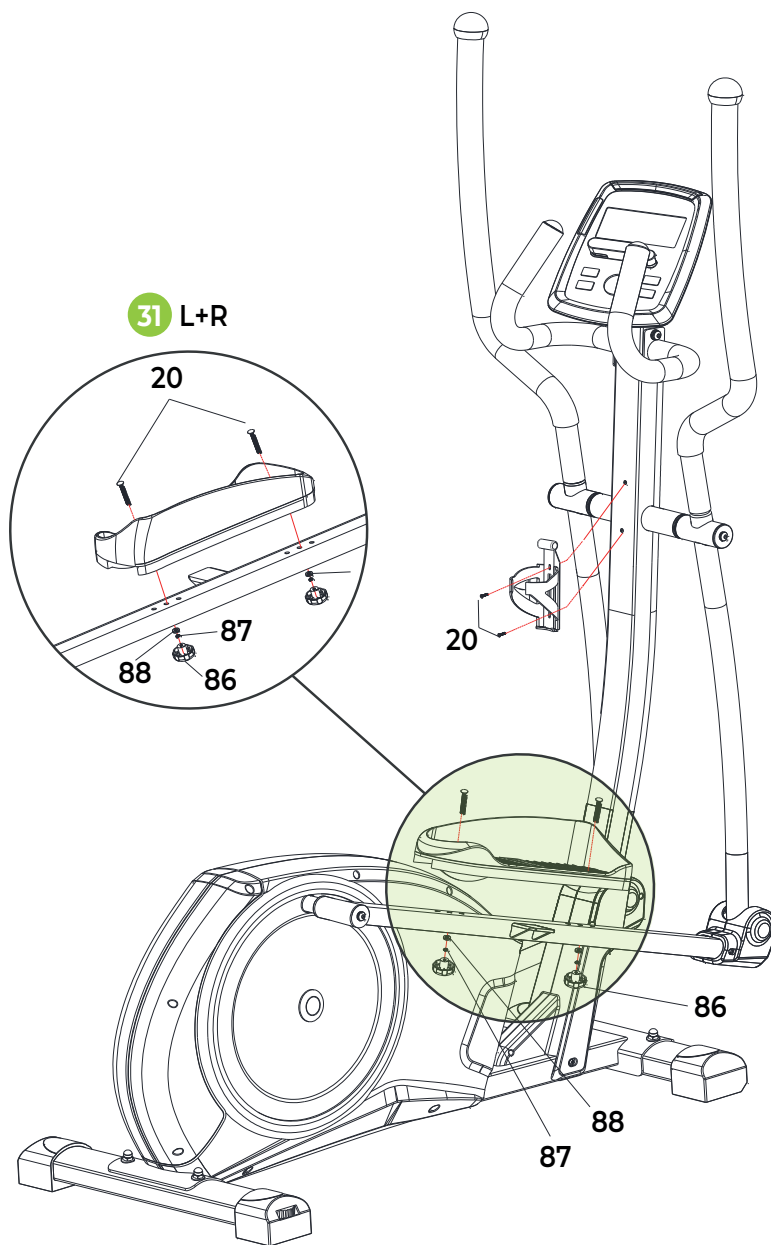


FIG. A



FIG. B-1

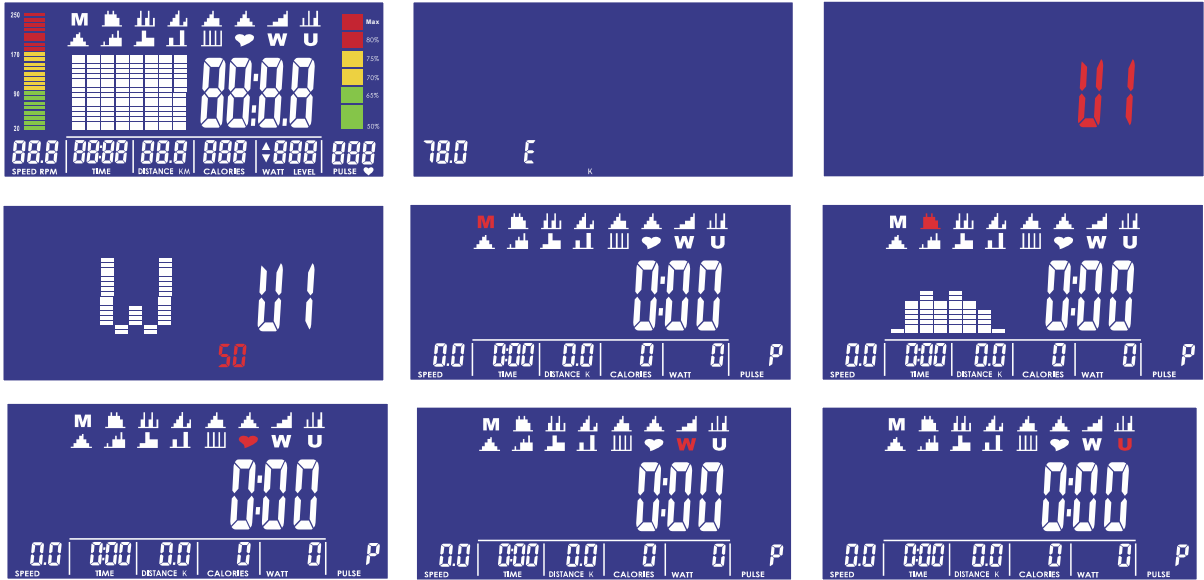


FIG. B-2



FIG. B-3

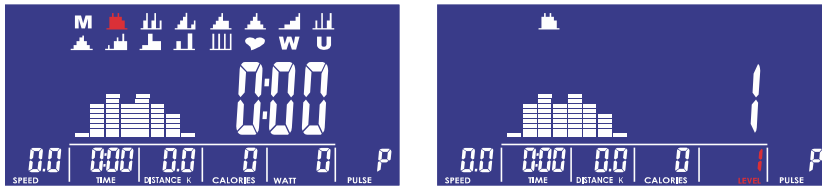


FIG. B-4

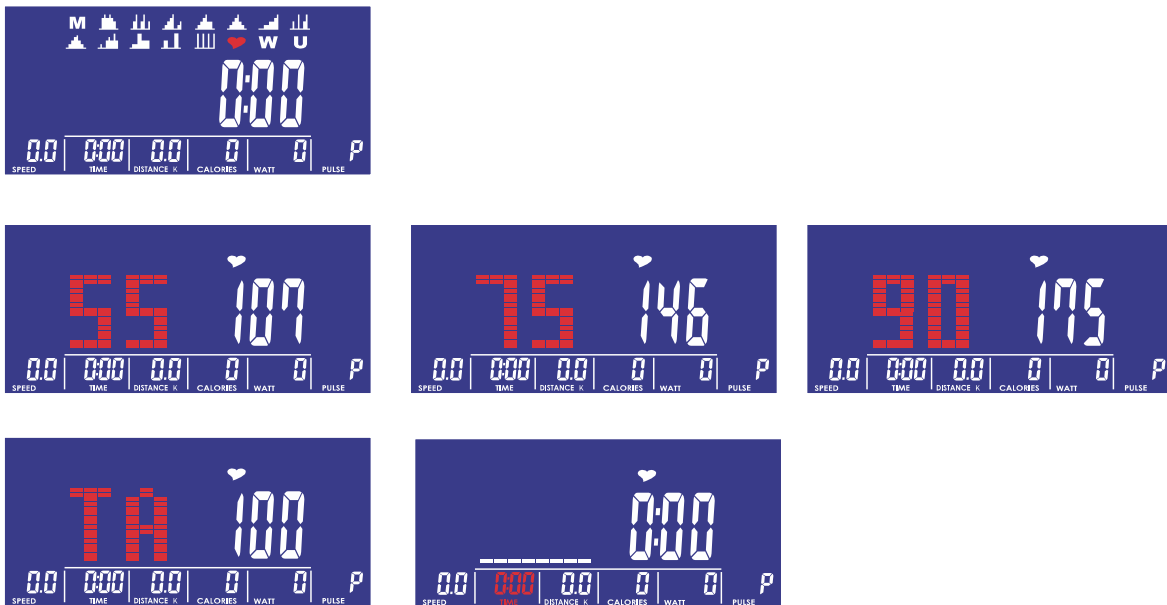


FIG. B-5



FIG. B-6



FIG. B-7

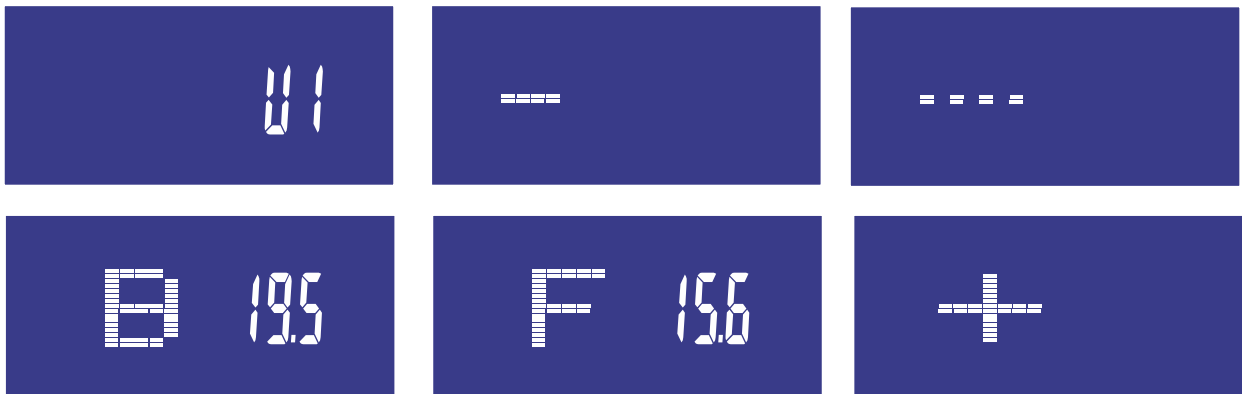
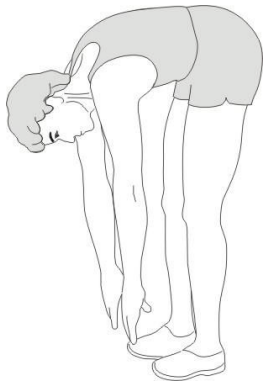


FIG. B-8



1.0	OUTSTANDING
1.0 < F < 2.0	EXCELLENT
2.0 < F < 2.9	GOOD
3.0 < F < 3.9	FAIR
4.0 < F < 5.9	BELOW AVERAGE
6.0	POOR

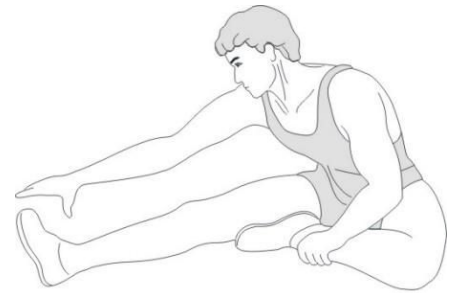
FIG. C



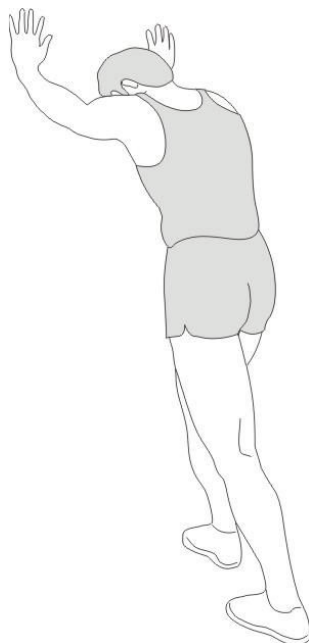
1



2



3



4



5

INDEX

Safety instructions	15
Guarantee	15
Assembly instructions	15
Training with heart rate	16
Training with fitness applications	16
Maintenance	16
Troubleshooting	17
Console	17
Program	18
Training guidelines	19

SAFETY INSTRUCTIONS

WARNING!

Consult your doctor before you start exercising. This is particularly important for people with health problems. Please read all instructions before using the machine. VirtuFit assumes no responsibility for injury or property damage resulting from the use of this equipment. Please read this manual carefully before assembling and/or using the machine.

- Make sure that the machine is properly assembled and that all nuts and bolts are tight before using it.
- Lubricate all moving parts annually with petroleum jelly (acid-free) or silicone spray.
- Do not wear loose clothing to avoid getting caught in moving parts.
- Install and use the unit on a solid, level surface.
- Always wear clean sports shoes when using the appliance.
- Keep children and pets away from the appliance when in use.
- Maintain your balance when using the device.
- Do not place your fingers or other objects in the moving parts.
- Before exercising, consult your physician to determine the appropriate frequency, duration and intensity of exercise for your age and physical condition. Stop exercising immediately if you experience nausea, shortness of breath, fainting, headache, chest pain, tightness or any other discomfort.

- This machine should only be used by one person at a time.
- This machine is designed for domestic use and the maximum user weight is 150 kg.
- Leave 1-2 metres of space behind the machine to avoid accidents.
- Place the machine on a clean, flat surface. Do not place it on a thick carpet, as this may hinder the ventilation of the machine. Do not place the machine outdoors or near water.
- Keep the storage area dry, clean and level to prevent damage. Do not use the device for any purpose other than training.
- Use the device only in an environment where the ambient temperature is between 10°C and 35°C. Store the device only in an environment where the temperature is between 5°C and 45°C.

GUARANTEE

Warranty claims are excluded if the cause of the defect is the result of:

- Maintenance and repair work not carried out by an official dealer.
- Improper use, negligence and/or poor maintenance.
- Failure to maintain the appliance in accordance with the manufacturer's instructions.

ASSEMBLY INSTRUCTIONS (STEP 01-09)

Missing parts: If any parts are missing from the packaging, carefully check the polystyrene foam and the appliance itself. Some parts (bolts, screws, etc.) are already attached to the unit.

Error message: Make sure that all cables are carefully attached. The aluminium feet of the console are very sensitive and must be kept straight. If the console gives an error message after the machine has been mounted, the aluminium feet of the console may be bent. Straightening the aluminium feet may make the error message disappear.

Hex head bolts: Make sure that the hex head spanner is pushed into the bolt before applying force. This will prevent the head of the socket bolt from turning.

TRAINING WITH HEART RATE

Hand sensors

This VirtuFit fitness machine is equipped with hand sensors for measuring heart rate. The hand sensors are attached to the handle and only work if both sensors are held for a longer period of time. For optimal performance, it is important that the hands are slightly moist and exert constant pressure on the sensors. Hands that are too dry or moist may cause abnormal readings.

NOTE! To avoid interference, never use the hand sensors with a wireless heart rate monitor.

Wireless Heart Rate Monitor (5 kHz and Bluetooth)

This VirtuFit fitness device is equipped with a wireless heart rate receiver. To measure your heart rate with a wireless heart rate monitor, use a heart rate monitor that works on Bluetooth and/or a 5 kHz frequency. With a wireless heart rate monitor, it is important that the electrodes are slightly moist and the heart rate monitor fits well to your body. Refer to your heart rate monitor's user manual for proper instructions. Incorrect use of the heart rate monitor may result in abnormal readings.

NOTE!

- A wireless heart rate monitor is not included as standard. Contact your dealer to purchase a wireless heart rate monitor.
- To avoid interference, never use the wireless heart rate monitor in combination with the hand sensors.

! WARNING!

- If you have a pacemaker, we recommend that you consult your physician before using a wireless heart rate monitor
- In rooms with multiple heart rate monitors, it is recommended that you keep enough distance to avoid interference between different devices.
- Always try to keep the wireless heart rate monitor within a range of 1 meter from the console for optimal reception.
- Always wear a wireless heart rate monitor directly on the body, under clothing.

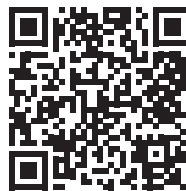
TRAINING WITH FITNESS APPLICATIONS

VirtuFit does not provide service for third party fitness applications such as Kinomap, iConsole, FitShow etc. If you encounter problems with a third party fitness application, please contact the developer of the application in question.

Instruction

- To scan the QR code with an Android or IOS phone or tablet, a QR code scanner is required. The app for scanning QR codes can be downloaded from the App Store or Google Play Store.
- Scan one of the QR codes below to go directly to the App Store or Google Play Store page where the fitness app can be downloaded.
- Scan the QR code on the right to access the fitness app manual. The manual describes step by step how to connect the fitness app to the device, how the fitness app works and what its capabilities are.

iConsole+



APP STORE



GOOGLE PLAY



MANUAL

Kinomap



APP STORE



GOOGLE PLAY



MANUAL

MAINTENANCE

Safe and efficient use can only be achieved if the appliance is properly installed and maintained. It is your responsibility to ensure that the appliance is maintained regularly. Parts that have been used and/or damaged must be replaced before the appliance is used again. The appliance should only be used and stored indoors. Long-term exposure to weather and temperature/humidity changes can have a serious impact on the electrical components and moving parts of the unit. Always unplug the power cord from the unit before cleaning or servicing it.

Daily maintenance

- Clean and remove sweat and moisture after each use.

- Check that the unit is free of dust and dirt.
- Do not use aggressive cleaning agents and keep the device away from moisture.

Semi-annual maintenance

- Inspect all bolts and nuts connected to the moving parts of the unit. Tighten bolts and nuts as necessary and appropriate.
- Check the mobility of moving parts and components of the unit. Use silicone spray if necessary and appropriate.

We recommend the following:

- Clean the unit after use.
- Use a dry cloth to clean the control panel and the areas around the on/off switch.
- Use a soft, clean cloth and detergent to remove stubborn marks and dirt from the unit.
- Store the unit in a safe, dry place away from heat and water.

CAUTION!

- **Repairs must be carried out by a professional technician, unless otherwise specified by the supplier or manufacturer.**

Cleaning

General cleaning of the unit will extend its life. Keep the appliance clean by dusting it regularly. Regular maintenance will prolong the life of your appliance and prevent injuries! For more information, please visit <https://www.virtufit.nl/service/faq/>

TROUBLESHOOTING

The display does not show any values: Check that the sensor and console cables are properly attached and undamaged. If this does not solve the problem, carefully bend the sensor.

Device squeaks: Check that all bolts and nuts are tight. If necessary.

Tikkend geluid: Het kans zijn dat het vliegwiel (in de behuizing) tegen een kabeltje komt bij elke beweging. Dit is wellicht storend, maar zal geen permanente schade aanbrengen. Om dit op te lossen dient de behuizing te worden geopend en het kabeltje te worden verlegd of vastgemaakt met bijvoorbeeld een tie-wrap.

Geen weerstand: Controleer of u de motor kunt horen draaien. De motor is kort te horen wanneer de weerstand wordt verhoogt of

verlaagt.

- Wanneer u de motor hoort draaien, is alle elektronica in orde, maar is de V-snaar er waarschijnlijk afgelopen. Open de behuizing en leg de V-snaar er weer op.
- Wanneer u de motor niet hoort draaien, kan het zo zijn dat de motor of het display defect is. Controleer of de kabel die in de buis naar boven loopt goed is aangesloten.

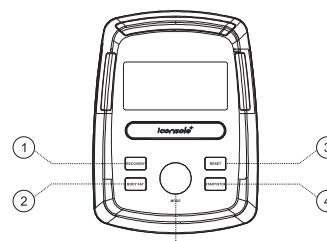
Hartslagweergave functioneert niet: Dit kan verschillende oorzaken hebben.

- De sensorkabeltjes die van de hartslagsensor naar het display lopen zijn niet goed gemonteerd of losgeraakt tijdens gebruik.
- Het kan zijn dat de sensoren vochtig, vies of vet geworden zijn, maak deze regelmatig schoon.

The hand sensors are not working properly: Wash your hands, dry them well and test the hand sensors again. If this does not solve the problem, check the handlebar cables for damage and ensure that they are properly connected to the connector. If this still does not correct the problem, replace the handlebar.

Console does not work: If there is no signal, check that the cable is correctly connected.

CONSOLE (FIG. A)



- **RECOVERY** During exercise, press the "RECOVERY" button when the heart rate value is displayed to start the heart rate recovery function.
- **BODY FAT** During exercise, press the "BODY FAT" button when the value is displayed to start the fat percentage and BMI measurement.
- **RESET** Press the button and the settings will be cleared.
- **START/STOP** Start of stop the exercise.
- **MODE** Press/twist the "MODE" button to switch between different functions and values during exercise.

Functions

- **TIME** The total time of the exercise will be displayed.

- **SPEED** Speed of the workout will be displayed.
- **DISTANCE** Shows the distance travelled.
- **CALORIES** Total calories burned during the workout is displayed.
- **PULSE** When using the heart rate sensors, your heart rate will be displayed during exercise.
- **RPM** Shows the number of revolutions per minute (Rounds Per Minute).
- **WATTS** Displays the wattage during exercise.
- **MANUAL** Functions automatically change every 6 seconds.
- **PROGRAM** Select from 12 programs.
- **USER** User determines own resistance program.
- **H.R.C.** Heart Rate Control, heart rate program.
- **RECOVERY** Heart Rate Recovery status
- **BODY FAT** Body fat measurement.

PROGRAM (FIG. B, 1-3)

User Mode (FIG. B-1)

- Select a user profile by turning the knob. Press the round button to confirm.
- Confirm the gender by rotating the knob. Press the round button to confirm. The same applies to age, height and weight. The programmes follow.

Quick start

Quick start works by directly pressing the START button. Increase the resistance by turning the button.

LET OP! Bij het handmatige programma kunnen verschillende waardes worden ingesteld, bij voorgeprogrammeerde programma's kan alleen de trainingstijd worden aangepast.

Manual Mode (FIG. B-2)

- Select USER 1-4 by pressing the round button. Press and hold until the screen appears as shown in the diagram above. The M of MANUAL will now flash.
- The M stands for Manual. Press start to select a programme. Turn the knob to select a programme. Press start to start the programme.
- Increase/decrease the resistance by turning the knob.
- Press "START" to decrease/increase distance, time, calories and pulse. Select the time, the time will count down.

Program Mode (FIG. B-3)

- Select USER 1-4 by pressing the round button. Press and hold until the screen appears as shown in the diagram above. The M of MANUAL will now flash.
- The M stands for Manual.
- You can now select a programme by turning the round knob. Press start to select a programme. Turn the knob to select a programme. Press the knob again to set the level of difficulty. After pressing the knob, the time flashes. Select the desired time and press "START" to start the programme.

H.R.C. Mode (FIG. B-4)

- The user can select 55%, 75%, 90% and target values by turning the knob.
- TARGET can be set not to exceed a certain value. If a maximum value is set and the value exceeds this, the unit will beep.
- Please note that the heart rate measurement should not be used for medical purposes and is only an approximation.
- Start the device. Press the round button to set USER 1-4 and then turn to the HART symbol on the home screen. Press the round button. Turn the knob to select. Press the knob to select. Then time can be set by turning and pressing the knob. Then press START to start.

LET OP! De hartslagmeting dient niet voor medische doeleinden gebruikt te worden en is slechts een benadering. Tijdens deze oefening moeten de hartslagsensoren worden vastgehouden of een hartslagband worden gedragen.

WATT Mode (B-5)

- Rotate the knob to set the WATT values. Press the knob again to set the time.
- Press START to begin exercising. During exercise, the WATT can be adjusted. If a maximum value is set and the value exceeds this, the unit will beep.

User Program Mode (B-6)

In this mode you can create your own programme.

- Press and turn the round button to select the U.
- Press and turn the button to change the resistance per bar.
- Press START to begin. Press START again to set the time if necessary by turning the knob. Press START again to resume.

- The resistance will automatically change as you set it.

Body Fat Mode (B-7)

- Press the Body Fat button. Select U1-U4 to select the user program.
- After selecting, place your hands on the heart rate sensors on the handlebars.
- After a few seconds an approximation of the BMI (B) and fat percentage (F) will appear.

Herstelmodus (B-8)

Make sure the device is measuring your heart rate during your workout.

- If you are taking a heart rate measurement during your workout, press "RECOVERY".
- Time and heart rate will be displayed. The time will count down from 60 seconds and the current heart rate will be displayed.
- The faster the heart rate decreases, the better the fitness.

NOTE! This is an estimate. The results should not be used for medical purposes.

TRAINING GUIDELINES (FIG. C, 1-5)

A successful training program includes a warm-up, the actual training and a cool-down. Perform the complete training program at least twice, but preferably three times a week and keep a rest day between training sessions. After a few months, the intensity of the training can be increased, for example to four or five times a week.

The warm-up

The purpose of a warm-up is to prepare the body for training and to reduce the risk of injury. Warm up your body for two to five minutes before starting a cardio or strength training session. Do exercises that increase the heart rate and warm up the working muscles. Examples of this type of activity are running, jogging, jumping jacks, skipping and running in place.

Stretching

Stretching while the muscles are warm is very important after a good warm-up and cool-down. It reduces the risk of injury. Stretching

exercises should be held for 15-30 seconds. Here are some examples of stretching exercises:

- Toe touch (Fig.C-1)
- Inner thigh stretch (Fig. C-2)
- Hamstring stretch (Fig.C-3)
- Achilles stretch (Fig. C-4)
- Side stretch (Fig. C-5)

Cooling down

The purpose of the cool-down is to return the body to its (near) normal resting position at the end of the workout. A good cool-down slowly reduces your heart rate and promotes recovery.

INHOUD

Veiligheidsinstructies	20
Garantie	20
Montage instructies	20
Trainen met hartslag	21
Trainen met fitness apps	21
Onderhoud	22
Probleemoplossingen	22
Console	23
Programma's	23
Trainingsrichtlijnen	25

VEILIGHEIDSINSTRUCTIES

⚠ WAARSCHUWING!

Raadpleeg uw arts voordat u begint met trainen. Dit is in het bijzonder belangrijk voor personen met gezondheidsproblemen. Lees alle instructies alvorens het toestel gebruikt wordt. VirtuFit neemt geen verantwoordelijkheid voor geleden letsel of materiële schade door het gebruik van dit toestel. Lees deze handleiding zorgvuldig door, voordat u begint met monteren van het toestel en/of er gebruik van gaat maken.

- Zorg ervoor dat het toestel voor gebruik correct is gemonteerd en alle bouten en moeren zorgvuldig zijn vastgedraaid.
- Smeer alle bewegende delen jaarlijks in met vaseline (zonder zuren) of siliconenspray.
- Draag geen loszittende kleding om te voorkomen dat deze in bewegende delen verstrikt raakt.
- Stel het toestel op en gebruik deze op een stevige, effen ondergrond.
- Draag altijd schone sportschoenen bij gebruik van het toestel.
- Houd kinderen en huisdieren uit de buurt van het toestel, terwijl deze in gebruik is.
- Zorg dat u evenwicht behoudt tijdens gebruik van het toestel.
- Plaats geen vingers of andere voorwerpen in de bewegende delen.

- Raadpleeg voorafgaand aan een training uw arts om de trainingsfrequentie, tijd en intensiteit vast te stellen die geschikt is voor uw leeftijd en conditie. Stop onmiddellijk met trainen in geval van misselijkheid, kortademigheid, flauwvallen, hoofdpijn, pijn, benauwdheid in de borst of enig ander ongemak.
- Dit toestel dient door slechts één persoon tegelijk te worden gebruikt.
- Dit toestel is gemaakt voor thuisgebruik en het maximaal gebruikersgewicht bedraagt 150 kg.
- Houd 1 á 2 meter ruimte vrij achter het toestel om eventuele ongelukken te voorkomen.
- Plaats het toestel op een schone en vlakke ondergrond. Plaats het toestel niet op dik tapijt waardoor het ventilatie kan belemmeren. Plaats het toestel niet buiten of in de buurt van water.
- Het toestel is voor binnengebruik en niet voor buitengebruik. Houd de opslagplek droog, schoon en vlak om schade te voorkomen. Het is verboden om het toestel voor andere doeleinden te gebruiken dan voor de trainingen.
- Gebruik het toestel alleen in een omgeving met een omgevingstemperatuur tussen 10 °C en 35 °C. Berg het toestel alleen op bij een omgevingstemperatuur tussen 5 °C en 45 °C.

GARANTIE

Aanspraak op garantie is uitgesloten indien de oorzaak van het defect het gevolg is van:

- Onderhoudsmontage en reparatiewerkzaamheden die niet door een officiële dealer zijn uitgevoerd.
- Bij ondeugdelijk gebruik, verwaarlozing en/of gebrek aan onderhoud.
- Het niet volgens de fabrieksvoorschriften onderhouden van het toestel.

MONTAGE INSTRUCTIES (STEP 01-09)

Missende onderdelen: Indien bepaalde onderdelen missen in de verpakking, controleer dan zorgvuldig het piepschuim en het toestel zelf. Sommige onderdelen (bouten, schroeven, etc.) zitten al bevestigd aan/in het toestel.

Foutmelding: Let er op dat alle kabels voorzichtig worden bevestigd. De aluminium pootjes van het console zijn zeer gevoelig en deze dienen recht te blijven. Mocht het console een foutmelding geven na de montage van het toestel dan kan het zijn dat de aluminium pootjes van het console schuin staan. Buig de aluminium pootjes weer recht, dit laat de foutmelding mogelijk verdwijnen.

Inbusbouten: Zorg ervoor dat de inbusleutel goed in de bout zit voordat er kracht op de sleutel wordt gezet. Op deze manier wordt voorkomen dat de kop van de inbusbout wordt dolgedraaid.

TRAINEN MET HARTSLAG

Handsensoren

Dit VirtuFit fitnessstoestel is voorzien van handsensoren voor het meten van de hartslag. De handsensoren zitten bevestigd op het handvat en werken alleen als beide sensoren voor een langere periode worden vastgehouden. Voor een optimale werking is het belangrijk dat de handen licht vochtig zijn en constante druk uitoefenen op de sensoren. Te droge of te vochtige handen kunnen zorgen voor een afwijkende meting.

LET OP! Gebruik de handsensoren nooit in combinatie met een draadloze hartslagmeter om storing te voorkomen.

Draadloze hartslagmeter (5 kHz en Bluetooth)

Dit VirtuFit fitnessstoestel is voorzien van een draadloze hartslagontvanger. Voor de hartslagmeting met een draadloze hartslagmeter gebruikt u een hartslagmeter welke werkt op Bluetooth en/of een 5 kHz frequentie. Bij een Draadloze hartslagmeter is het belangrijk dat de elektroden licht vochtig zijn en de hartslagmeter goed aansluit op uw lichaam. Raadpleeg de gebruikershandleiding van uw hartslagmeter voor de juiste instructies. Onjuist gebruik van de hartslagmeter kan zorgen voor een afwijkende meting.

LET OP!

- Een draadloze hartslagmeter wordt niet standaard meegeleverd. Contacteer uw dealer voor de aanschaf van een draadloze hartslagmeter.
- Gebruik de draadloze hartslagmeter nooit in combinatie met de handsensoren om storing te voorkomen.

⚠ WAARSCHUWING!

- Indien u een pacemaker heeft raden wij aan uw huisarts te raadplegen voordat u een draadloze hartslagmeter gebruikt.

- In een ruimte met meerdere hartslagmeters raden wij aan voldoende afstand te houden om storing tussen verschillende apparaten te voorkomen.
- Probeer de draadloze hartslagmeter altijd binnen een bereik van 1 meter vanaf het console te houden voor een optimaal ontvangst.
- Draag een draadloze hartslagmeter altijd direct op het lichaam, onder de kleding.

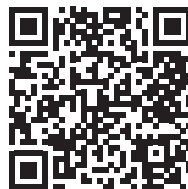
TRAINEN MET FITNESS APPS

VirtuFit verleent geen service voor fitness-apps van derde partijen zoals Kinomap, iConsole, FitShow etc.. Mocht u problemen ondervinden met een fitness-app van een derde partij, neem dan contact met de desbetreffende app-ontwikkelaar.

Instructie

- Om de QR-code te scannen met een Android of IOS telefoon of tablet is een QR-code scanner nodig. De app om QR-codes te scannen kan in de App Store of Google Play Store worden gedownload.
- Scan één van de QR-codes hieronder om direct naar de pagina in de App Store of Google Play Store te gaan waar de fitnessapp gedownload kan worden.
- Scan de QR-code aan de rechterkant om naar de handleiding van de fitnessapp te gaan. In de handleiding staat stap voor stap beschreven hoe de fitnessapp verbonden dient te worden met het toestel, hoe de fitnessapp werkt en welke mogelijkheden er zijn.

iConsole+



APP STORE



GOOGLE PLAY



MANUAL

Kinomap



APP STORE



GOOGLE PLAY



MANUAL

ONDERHOUD

Veilig en effectief gebruik kan alleen worden bereikt als het toestel goed wordt gemonteerd en onderhouden. Het is uw verantwoordelijkheid om ervoor te zorgen dat het toestel regelmatig wordt onderhouden. Onderdelen die al zijn gebruikt en/of beschadigd, moeten worden vervangen voordat het toestel verder gebruikt wordt. Het toestel mag alleen binnen worden gebruikt en opgeborgen. Langdurige blootstelling aan verwerking en veranderingen in temperatuur/vochtigheid kunnen een ernstige impact hebben op de elektrische componenten en bewegende delen van het toestel. Haal altijd de stroomkabel van het toestel uit het stopcontact voordat het apparaat wordt schoongemaakt of onderhouden.

Dagelijks onderhoud

- Reinig en verwijder zweet en vocht na elk gebruik.
- Controleer of het toestel vrij is van stof en vuil.
- Gebruik geen agressieve schoonmaakmiddelen en zorg dat het toestel vochtvrij blijft.

Halfjaarlijks onderhoud

- Inspecteer alle bouten en moeren in verband met bewegende delen van het toestel. Draai bouten en moeren vast indien nodig en zoals vereist.
- Controleer de mobiliteit van bewegende onderdelen en componenten van het toestel. Gebruik siliconenspray indien nodig en zoals vereist.

We raden aan het volgende te doen:

- Maak het toestel na gebruik schoon.
- Gebruik een droge doek om het bedieningspaneel en gebieden rond de aan- en uitschakelaar te reinigen.
- Gebruik een zachte schone doek en reinigingsmiddel om hardnekkige vlekken en vuil op het toestel te verwijderen.

- Houd het toestel op een veilige en droge plaats en uit de buurt van warmte en water.

LET OP! Elke reparatie moet door een professionele technicus worden uitgevoerd, tenzij anders aangegeven door de leverancier of fabrikant.

Schoonmaak

Algemene reiniging van het apparaat zal de levensduur van het toestel verlengen. Houd het toestel schoon door regelmatig af te stofsen.

Regelmatig onderhoud verlengt de levensduur van uw toestel en voorkomt letsel! Kijk voor meer informatie op <https://www.virtufit.nl/service/faq/>

PROBLEEMOPLOSSINGEN

Display geeft geen waardes weer: Controleer of de sensorkabels en de kabels van het console goed zijn bevestigd en onbeschadigd zijn. Mocht het probleem hierdoor niet zijn verholpen, verbuig de sensor voorzichtig.

Toestel piept: Controleer of alle bouten en moeren goed zijn vastgedraaid. Druppel waar nodig siliconenspray.

Tikkend geluid: Het kans zijn dat het vliegwiel (in de behuizing) tegen een kabeltje komt bij elke beweging. Dit is wellicht storend, maar zal geen permanente schade aanbrengen. Om dit op te lossen dient de behuizing te worden geopend en het kabeltje te worden verlegd of vastgemaakt met bijvoorbeeld een tie-wrap.

Geen weerstand: Controleer of u de motor kunt horen draaien. De motor is kort te horen wanneer de weerstand wordt verhoogt of verlaagt.

- Wanneer u de motor hoort draaien, is alle elektronica in orde, maar is de V-snaar er waarschijnlijk afgelopen. Open de behuizing en leg de V-snaar er weer op.
- Wanneer u de motor niet hoort draaien, kan het zo zijn dat de motor of het display defect is. Controleer of de kabel die in de buis naar boven loopt goed is aangesloten.

Hartslagweergave functioneert niet: Dit kan verschillende oorzaken hebben.

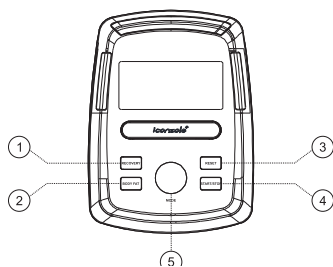
- De sensorkabeltjes die van de hartslagsensor naar het display lopen zijn niet goed gemonteerd of losgeraakt tijdens gebruik.

- Het kan zijn dat de sensoren vochtig, vies of vet geworden zijn, maak deze regelmatig schoon.

Handsensoren werken niet naar behoren: Was je handen, droog goed af en test de handsensoren opnieuw. Mocht het probleem hierdoor niet zijn verholpen, controleer of de kabels van het handvat onbeschadigd zijn en goed zijn verbonden met de aansluiting. Mocht het probleem hierdoor nog steeds niet zijn verholpen, vervang het handvat.

Het console werkt niet: Wanneer er geen signaal is, controleer of de kabel goed is aangesloten.

CONSOLE (FIG. A)



- **RECOVERY** Hartslag Hersteltest.
- **BODYFAT** Test het lichaamsvetpercentage en BMI.
- **RESET** Houd "RESET" twee seconden ingedrukt om alle waarden te wissen en de computer te herstarten. Druk tijdens het instellen op "RESET" om terug te keren naar het hoofdmenu.
- **START/STOP** De training starten of stoppen.
- **MODE** Draai aan de draaiknop om de waarde van de geselecteerde functie te verhogen of verlagen. Bevestig de waardeselectie door op de draaiknop te drukken.

Functies

- **TIME** De tijd gemeten vanaf het begin van de oefening wordt weergegeven.
- **SPEED** De huidige snelheid tijdens de oefening wordt weergegeven.
- **DISTANCE** De afgelegde afstand tijdens de oefening wordt weergegeven.
- **CALORIES** Het aantal verbrande calorieën tijdens de oefening wordt weergegeven.
- **PULSE** Hartslag tijdens training wordt weergegeven. Er klinkt een hartslagalarm wanneer de hartslag hoger is dan het doel.
- **RPM** Omwentelingen per minuut.
- **WATTS** Geeft de wattage weer.

- **MANUAL** Functies veranderen automatisch om de 6 seconden.
- **PROGRAM** Keuze uit 12 programma's.
- **USER** Handmatige selectie, gebruiker bepaalt eigen weerstand.
- **HRC** Heart Rate Control. Programma op basis van hartslag.
- **RECOVERY** Hartslag Herstel status.
- **BODY FAT** Lichaamsvetmeting.

PROGRAMMA'S (FIG. B, 1-3)

User Modus (FIG. B-1)

Steek de stekker in het stopcontact (of houd RESET 2 seconden ingedrukt), het display licht op en er klinkt een piep.

- Door aan de ronde draaiknop te draaien kan een gebruikers profiel worden geselecteerd (1-4). Door op de ronde draaiknop te drukken wordt de keuze bevestigd.
- Het geslacht kan worden ingesteld door te draaien aan de ronde draaiknop. Druk op de ronde draaiknop om te bevestigen.
- Door aan de ronde draaiknop te draaien verschijnen de verschillende programma's. Dit kan worden herkend aan het knipperende logo boven in beeld.
- "M" staat voor MANUAL (handmatig). De weerstand kan tijdens het programma worden aangepast naar wens. De trainingstijd of het caloriedoel kan worden aangepast door op de ronde draaiknop te drukken, hetgeen dat knippert kan op dat moment worden verhoogd of verlaagd door weer aan de ronde draaiknop te draaien. Druk op de ronde draaiknop om te bevestigen. Druk op "START" om het programma te starten.

Snelle start

Er kan gekozen worden voor een 'snelle start' door direct op "START" te drukken, waardoor het handmatige programma verschijnt. Verhoog of verlaag de weerstand door aan de ronde draaiknop te draaien en druk op "START" om de training te starten.

LET OP! Bij het handmatige programma kunnen verschillende waarden worden ingesteld, bij voorgeprogrammeerde programma's kan alleen de trainingstijd worden aangepast.

Handmatige Modus (FIG. B-2)

- In de handmatige modus kan de weerstand worden verhoogd en verlaagd door aan de ronde draaiknop te draaien.
- Door op "START" te drukken kunnen afstand, tijd, caloriedoel en pulse worden verhoogd en verlaagd het drukken op "START" kunnen afstand, tijd, calorieën en pulse worden verhoogd en verlaagd. Wanneer een doel wordt ingesteld wordt het afgeteld

naar 0, zodat bijvoorbeeld een trainingstijd of caloriedoel kan worden ingesteld.

Programma Modus (FIG. B-3)

- Houd "RESET" ingedrukt totdat het toestel piept
- Selecteer een USER (1-4) en houd daarna de ronde draaiknop ingedrukt, totdat een ander scherm verschijnt. De "M" van MANUAL knippert. Door te draaien aan de ronde draaiknop kan het gewenste programma worden geselecteerd. Druk op de ronde draaiknop om te bevestigen.
- Door nog een keer op de ronde draaiknop te drukken kan de moeilijkheidsgraad worden ingesteld. Door te draaien aan de ronde draaiknop kan de moeilijkheidsgraad worden gekozen.
- Druk op de ronde draaiknop om te bevestigen, waarna de tijd knippert. De trainingstijd kan worden ingesteld door aan de ronde draaiknop te draaien.
- Druk op "START" om het programma te starten.

H.R.C. Modus (FIG. B-4)

- De gebruiker kan 55%, 75%, 90% en target waarden selecteren door te draaien aan de ronde draaiknop. Bevestig de gekozen waarde door op de ronde draaiknop te drukken. TARGET kan worden ingesteld om niet boven een bepaalde waarde uit te komen. Mocht deze op 80 hartslagen per minuut zijn ingesteld en komt de hartslag hierboven, dan begint het toestel te piepen.
- Druk op de ronde knop en kies voor een USER (1-4). Draai vervolgens aan de ronde draaiknop, totdat in het startscherm het HART-symbool knippert. Druk op de ronde draaiknop om te selecteren
- Draai aan de ronde draaiknop om de gewenste hartslag te selecteren. Druk op de ronde draaiknop om te bevestigen.
- De trainingstijd kan worden ingesteld door te draaien aan de ronde draaiknop. Bevestig de gekozen trainingstijd door op de ronde draaiknop te drukken.
- Druk op "START" om de training te starten.

LET OP! De hartslagmeting dient niet voor medische doeleinden gebruikt te worden en is slechts een benadering. Tijdens deze oefening moeten de hartslagsensoren worden vastgehouden of een hartslagband worden gedragen.

WATT Modus (B-5)

- Draai aan de ronde draaiknop, totdat "WATT" knippert. Druk op

de ronde draaiknop om te bevestigen.

- De waardes kunnen worden ingesteld door aan de ronde draaiknop te draaien. Druk op de ronde draaiknop om te bevestigen. Er kan een maximale WATT waarde worden ingesteld, het toestel piept wanneer deze waarde tijdens de training wordt overschreden.
- De trainingstijd kan worden ingesteld door te draaien aan de ronde draaiknop. Bevestig de gekozen trainingstijd door op de ronde draaiknop te drukken.
- Druk op "START" om de training te starten.

Gebruikersprogramma Modus (B-6)

In deze modus kan er een eigen programma worden samengesteld.

- Draai aan de ronde draaiknop, totdat "U" knippert. Druk op de ronde draaiknop om te bevestigen.
- Draai aan de ronde draaiknop om de weerstand per balkje te veranderen en druk op de ronde draaiknop om de waarde te bevestigen.
- Druk op "START" om de training te starten en de weerstand zal gedurende training automatisch en volgens de instelling veranderen.
- Druk nogmaals op "START" om de trainingstijd in te stellen. De trainingstijd kan worden ingesteld door te draaien aan de ronde draaiknop.
- Druk op "START" om de training te hervatten.

Lichaamsvet Modus (B-7)

- Druk op "BODY FAT".
- Kies uit U1-U4 om een User Programma te selecteren, welke tijdens het starten en resetten van het toestel kan worden veranderd.
- Leg uw handen op de hartslagsensoren van het stuur. Na een aantal seconden komt een benadering van uw BMI (B) en uw vetpercentage (F) in beeld.

Herstelmodus (B-8)

Deze modus meet hoe snel het herstel van een training is. Zorg dat uw hartslag gedurende de training wordt gemeten.

- Druk tijdens de training op "RECOVERY" om een hartslagmeting te doen. U hoeft niet te bewegen.
- Tijd en hartslag worden weergegeven. Tijd telt af van 60 seconden en de actuele hartslag wordt weergegeven.
- Hoe sneller de hartslag daalt, hoe beter de conditie.

LET OP! Dit is een schatting. De resultaten dienen niet voor medische doeleinden te worden gebruikt.

TRAININGSRICHTLIJNEN (FIG. C, 1-5)

Een succesvol trainingsprogramma bestaat uit een warming-up, de training zelf en een cooling down. Voer de hele training minstens twee, maar bij voorkeur drie keer per week uit en houdt één dag rust tussen de trainingen. Na enkele maanden kan de trainingsintensiteit worden verhoogd tot bijvoorbeeld vier of vijf keer per week.

Warming-up

Het doel van een warming-up is dat het lichaam voorbereid wordt op een training en het vermindert de kans op blessures. Warm het lichaam op in twee tot vijf minuten voordat er met een cardio- of krachttraining begonnen wordt. Doe oefeningen die de hartslag verhogen en de werkende spieren opwarmen. Voorbeelden van dit soort activiteiten zijn: vlot lopen, joggen, jumping jacks, touwtje springen en rennen op de plaats.

Stretchen

Stretchen terwijl spieren warm zijn, is zeer belangrijk na een goede warming-up en cooling-down. Het vermindert de kans op blessures. Stretchoefeningen dienen gedurende 15 tot 30 seconden worden vastgehouden. Voorbeelden van stretchoefeningen zijn:

- Toe touch (Fig. C-1)
- Inner thigh stretch (Fig. C-2)
- Hamstring stretch (Fig. C-3)
- Achilles stretch (Fig. C-4)
- Side stretch (Fig. C-5)

Cooling-down

Het doel van de cooling-down is het lichaam aan het einde van de training terug te brengen naar de (bijna) normale ruststand. Een goede cooling-down vermindert langzaam uw hartslag en bevordert het herstel.

INHALTE

Sicherheitshinweise	26
Bürgschaft	26
Anweisungen zum Einbau	26
Training mit Herzfrequenz	27
Training mit Fitnessanwendunge	27
Wartung	28
Fehlersuche	28
Konsole	29
Programm	29
Trainingsrichtlinien	30

SICHERHEITSHINWEISE

! WARNUNG!

Konsultieren Sie Ihren Arzt, bevor Sie mit dem Training beginnen. Dies ist besonders wichtig für Menschen mit gesundheitlichen Problemen. Bitte lesen Sie alle Anweisungen, bevor Sie das Gerät benutzen. VirtuFit übernimmt keine Verantwortung für Verletzungen oder Sachschäden, die durch die Verwendung dieses Geräts entstehen. Bitte lesen Sie diese Anleitung sorgfältig durch, bevor Sie das Gerät zusammenbauen und/oder benutzen.

- Vergewissern Sie sich, dass das Gerät richtig zusammengebaut ist und dass alle Schrauben und Muttern fest angezogen sind, bevor Sie es benutzen.
- Schmieren Sie alle beweglichen Teile jährlich mit Vaseline (säurefrei) oder Silikonspray.
- Tragen Sie keine weite Kleidung, um zu vermeiden, dass Sie sich in beweglichen Teilen verfangen.
- Stellen Sie das Gerät auf einer festen, ebenen Fläche auf und benutzen Sie es.
- Tragen Sie immer saubere Sportschuhe, wenn Sie das Gerät benutzen.
- Halten Sie Kinder und Haustiere von dem Gerät fern, wenn Sie es benutzen.
- Achten Sie bei der Benutzung des Geräts auf Ihr Gleichgewicht.
- Stecken Sie Ihre Finger oder andere Gegenstände nicht in die beweglichen Teile.
- Konsultieren Sie vor dem Training Ihren Arzt, um die für Ihr

Alter und Ihre körperliche Verfassung angemessene Häufigkeit, Dauer und Intensität des Trainings zu bestimmen. Brechen Sie das Training sofort ab, wenn Sie Übelkeit, Kurzatmigkeit, Ohnmacht, Kopfschmerzen, Brustschmerzen, Engegefühl oder andere Beschwerden verspüren.

- Dieses Gerät darf nur von einer Person gleichzeitig benutzt werden.
- Das Gerät ist für den Hausgebrauch konzipiert und das maximale Benutzergewicht beträgt 150 kg.
- Lassen Sie hinter der Maschine 1-2 Meter Platz, um Unfälle zu vermeiden.
- Stellen Sie das Gerät auf eine saubere, ebene Fläche. Stellen Sie das Gerät nicht auf einen dicken Teppich, da dies die Belüftung des Geräts behindern kann. Stellen Sie das Gerät nicht im Freien oder in der Nähe von Wasser auf.
- Halten Sie den Aufbewahrungsort trocken, sauber und eben, um Schäden zu vermeiden. Verwenden Sie das Gerät nicht für andere Zwecke als zum Training.
- Verwenden Sie das Gerät nur in einer Umgebung, in der die Umgebungstemperatur zwischen 10°C und 35°C liegt. Lagern Sie das Gerät nur in einer Umgebung, in der die Temperatur zwischen 5°C und 45°C liegt.

BÜRGSCHAFT

Gewährleistungsansprüche sind ausgeschlossen, wenn die Ursache des Mangels die Folge ist von:

- Wartungs- und Reparaturarbeiten, die nicht von einem Vertragshändler durchgeführt wurden.
- Unsachgemäßer Gebrauch, Nachlässigkeit und/oder schlechte Wartung.
- Wenn das Gerät nicht gemäß den Anweisungen des Herstellers gewartet wurde.

MONTAGEANLEITUNG (STEP 01-09)

Fehlende Teile: Sollten Teile in der Verpackung fehlen, überprüfen Sie bitte sorgfältig den Styroporschaum und das Gerät selbst. Einige Teile (Bolzen, Schrauben, usw.) sind bereits am Gerät angebracht.

Fehlermeldung: Vergewissern Sie sich, dass alle Kabel sorgfältig

angebracht sind. Die Aluminiumfüße der Konsole sind sehr empfindlich und müssen gerade gehalten werden. Wenn die Konsole eine Fehlermeldung ausgibt, nachdem das Gerät montiert wurde, sind die Aluminiumfüße der Konsole möglicherweise verbogen. Das Richten der Aluminiumfüße kann dazu führen, dass die Fehlermeldung verschwindet.

Sechskant-Schrauben: Achten Sie darauf, dass der Sechskantschlüssel in die Schraube gedrückt wird, bevor Sie Kraft anwenden. Dadurch wird verhindert, dass sich der Kopf der Innensechskantschraube dreht.

TRAINING MIT HERZFREQUENZ

Handsensoren

Dieses VirtuFit Fitnessgerät ist mit Handsensoren zur Messung der Herzfrequenz ausgestattet. Die Handsensoren sind am Griff angebracht und funktionieren nur, wenn beide Sensoren über einen längeren Zeitraum gehalten werden. Für eine optimale Leistung ist es wichtig, dass die Hände leicht feucht sind und einen konstanten Druck auf die Sensoren ausüben. Zu trockene oder feuchte Hände können zu abnormalen Messwerten führen.

HINWEIS! Um Interferenzen zu vermeiden, verwenden Sie die Handsensoren niemals mit einem drahtlosen Herzfrequenzmessgerät.

Drahtloses Herzfrequenzmessgerät (5 kHz und Bluetooth)

Dieses VirtuFit Fitnessgerät ist mit einem drahtlosen Herzfrequenz-Empfänger ausgestattet. Um Ihre Herzfrequenz mit einem drahtlosen Herzfrequenzmesser zu messen, verwenden Sie einen Herzfrequenzmesser, der mit Bluetooth und/oder einer 5-kHz-Frequenz arbeitet. Bei einem drahtlosen Herzfrequenzmessgerät ist es wichtig, dass die Elektroden leicht feucht sind und das Herzfrequenzmessgerät gut an Ihrem Körper anliegt. Lesen Sie die Gebrauchsanweisung Ihres Herzfrequenzmessgeräts, um die richtigen Anweisungen zu erhalten. Eine unsachgemäße Verwendung des Herzfrequenzmessgeräts kann zu abnormalen Messwerten führen.

HINWEIS!

- Ein drahtloses Herzfrequenzmessgerät ist nicht im Lieferumfang enthalten. Wenden Sie sich an Ihren Händler, um ein drahtloses Herzfrequenzmessgerät zu erwerben.
- Um Interferenzen zu vermeiden, verwenden Sie das drahtlose Herzfrequenzmessgerät niemals in Kombination mit den Handsensoren.

! WARNUNG!

- Wenn Sie einen Herzschrittmacher tragen, empfehlen wir Ihnen, Ihren Arzt zu konsultieren, bevor Sie ein drahtloses Herzfrequenzmessgerät verwenden.
- In Räumen mit mehreren Herzfrequenzmessgeräten wird empfohlen, genügend Abstand zu halten, um Störungen zwischen den verschiedenen Geräten zu vermeiden.
- Versuchen Sie immer, das drahtlose Herzfrequenzmessgerät innerhalb eines Abstands von 1 Meter von der Konsole zu halten, um einen optimalen Empfang zu gewährleisten.
- Tragen Sie ein drahtloses Herzfrequenzmessgerät immer direkt am Körper, unter der Kleidung.

TRAINING MIT FITNESSANWENDUNGE

VirtuFit bietet keinen Service für Fitnessanwendungen von Drittanbietern wie Kinomap, iConsole, FitShow usw. Wenn Sie Probleme mit einer Fitness-Anwendung eines Drittanbieters haben, wenden Sie sich bitte an den Entwickler der betreffenden Anwendung.

Anleitung

- Um den QR-Code mit einem Android- oder IOS-Telefon oder -Tablet zu scannen, ist ein QR-Code-Scanner erforderlich. Die App zum Scannen von QR-Codes kann im App Store oder im Google Play Store heruntergeladen werden.
- Scannen Sie einen der unten stehenden QR-Codes, um direkt zur Seite des App Store oder Google Play Store zu gelangen, wo die Fitness-App heruntergeladen werden kann.
- Scannen Sie den QR-Code auf der rechten Seite, um das Handbuch für die Fitness-App aufzurufen. Das Handbuch beschreibt Schritt für Schritt, wie Sie die Fitness-App mit dem Gerät verbinden, wie die Fitness-App funktioniert und welche Möglichkeiten sie bietet.

iConsole+



APP STORE



GOOGLE PLAY



MANUAL

Kinomap



APP STORE



GOOGLE PLAY



MANUAL

WARTUNG

Eine sichere und effiziente Nutzung kann nur erreicht werden, wenn das Gerät ordnungsgemäß installiert und gewartet wird. Es liegt in Ihrer Verantwortung, dafür zu sorgen, dass das Gerät regelmäßig gewartet wird. Benutzte und/oder beschädigte Teile müssen ersetzt werden, bevor das Gerät wieder benutzt wird. Das Gerät sollte nur in Innenräumen verwendet und gelagert werden. Wenn das Gerät über einen längeren Zeitraum hinweg Witterungseinflüssen sowie Temperatur- und Feuchtigkeitsschwankungen ausgesetzt ist, kann dies schwerwiegende Auswirkungen auf die elektrischen Komponenten und beweglichen Teile des Geräts haben. Ziehen Sie immer den Netzstecker aus dem Gerät, bevor Sie es reinigen oder warten.

Tägliche Wartung

- Reinigen Sie das Gerät nach jedem Gebrauch und entfernen Sie Schweiß und Feuchtigkeit.
- Prüfen Sie, ob das Gerät frei von Staub und Schmutz ist.
- Verwenden Sie keine aggressiven Reinigungsmittel und halten Sie das Gerät von Feuchtigkeit fern.

Halbjährliche Wartung

- Überprüfen Sie alle Schrauben und Muttern, die mit den beweglichen Teilen des Geräts verbunden sind. Ziehen Sie die Schrauben und Muttern nach Bedarf und Bedarf an.
- Überprüfen Sie die Beweglichkeit der beweglichen Teile und Komponenten des Geräts. Bei Bedarf und Eignung Silikonspray verwenden.

Wir empfehlen Folgendes:

- Reinigen Sie das Gerät nach dem Gebrauch.
- Verwenden Sie ein trockenes Tuch, um das Bedienfeld und die Bereiche um den Ein-/Ausschalter zu reinigen.
- Verwenden Sie ein weiches, sauberes Tuch und Reinigungsmittel,

um hartnäckige Flecken und Schmutz vom Gerät zu entfernen.

- Bewahren Sie das Gerät an einem sicheren, trockenen Ort auf, der vor Hitze und Wasser geschützt ist.

VORSICHT!

- *Reparaturen müssen von einem professionellen Techniker durchgeführt werden, es sei denn, der Lieferant oder Hersteller schreibt etwas anderes vor.*

Reinigung

Eine allgemeine Reinigung des Geräts verlängert dessen Lebensdauer. Halten Sie das Gerät sauber, indem Sie es regelmäßig abstauben. Eine regelmäßige Wartung verlängert die Lebensdauer Ihres Geräts und beugt Verletzungen vor! Für weitere Informationen besuchen Sie bitte <https://www.virtufit.nl/service/faq/>

FEHLERSUCHE

Das Display zeigt keine Werte an: Prüfen Sie, ob die Kabel des Sensors und der Konsole richtig angeschlossen und unbeschädigt sind. Wenn das Problem dadurch nicht behoben wird, biegen Sie den Sensor vorsichtig.

Gerät quietscht: Prüfen Sie, ob alle Schrauben und Muttern fest angezogen sind. Tragen Sie ggf. Silikonspray auf.

Tikkend geluid: Het kans zijn dat het vliegwieltje (in de behuizing) tegen een kabeltje komt bij elke beweging. Dit is wellicht storend, maar zal geen permanente schade aanbrengen. Om dit op te lossen dient de behuizing te worden geopend en het kabeltje te worden verlegd of vastgemaakt met bijvoorbeeld een tie-wrap.

Geen weerstand: Controleer of u de motor kunt horen draaien. De motor is kort te horen wanneer de weerstand wordt verhoogt of verlaagt.

- Wanneer u de motor hoort draaien, is alle elektronica in orde, maar is de V-snaar er waarschijnlijk afgelopen. Open de behuizing en leg de V-snaar er weer op.
- Wanneer u de motor niet hoort draaien, kan het zo zijn dat de motor of het display defect is. Controleer of de kabel die in de buis naar boven loopt goed is aangesloten.

Hartslagweergave functioneert niet: Dit kan verschillende oorzaken hebben.

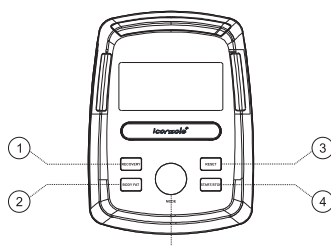
- De sensorkabeltjes die van de hartslagsensor naar het display lopen zijn niet goed gemonteerd of losgeraakt tijdens gebruik.

- **Het kan zijn dat de sensoren vochtig, vies of vet geworden zijn, maak deze regelmatig schoon.**

Die Handsensoren funktionieren nicht richtig: Waschen Sie Ihre Hände, trocknen Sie sie gut ab und testen Sie die Handsensoren erneut. Wenn dies das Problem nicht behebt, überprüfen Sie die Lenkerkabel auf Beschädigungen und stellen Sie sicher, dass sie richtig mit dem Stecker verbunden sind. Wenn das Problem dadurch immer noch nicht behoben ist, tauschen Sie den Lenker aus.

Die Konsole funktioniert nicht: Wenn der kein Signal anliegt, prüfen Sie, ob das Kabel richtig angeschlossen ist.

KONSOLE (FIG. A)



- **RECOVERY** Drücken Sie während des Trainings die Taste "RECOVERY", wenn der Herzfrequenzwert angezeigt wird, um die Herzfrequenz-Erholungsfunktion zu starten.
- **BODY FAT** Drücken Sie während des Trainings die Taste "BODY FAT", wenn der Wert angezeigt wird, um die Messung des Fettanteils und des BMI zu starten.
- **RESET** Drücken Sie die Taste und die Einstellungen werden gelöscht.
- **START/STOP** der Übung.
- **MODE** Drücken/Drehen Sie die "MODE"-Taste, um während des Trainings zwischen verschiedenen Funktionen und Werten zu wechseln.

Functies

- **TIME** Die Gesamtzeit des Trainings wird angezeigt.
- **SPEED** Die Geschwindigkeit des Trainings wird angezeigt.
- **DISTANCE** Zeigt die zurückgelegte Strecke an.
- **CALORIES** Die während des Trainings verbrannten Gesamtkalorien werden angezeigt.
- **PULSE** Wenn Sie die Herzfrequenzsensoren verwenden, wird Ihre Herzfrequenz während des Trainings angezeigt.
- **RPM** Zeigt die Anzahl der Umdrehungen pro Minute (Rounds Per Minute) an.
- **WATTS** Zeigt die Wattzahl während des Trainings an.

- **MANUAL** Die Funktionen wechseln automatisch alle 6 Sekunden.
- **PROGRAM** Auswahl aus 12 Programmen.
- **USER** Der Benutzer bestimmt sein eigenes Widerstandsprogramm.
- **H.R.C.** Heart Rate Control, Herzfrequenz-Programm.
- **RECOVERY** Erholungsstatus der Herzfrequenz.
- **BODY FAT** Körperfettmessung.

PROGRAMME (FIG. B, 1-3)

User Modus (FIG. B-1)

- Wählen Sie ein Benutzerprofil durch Drehen des Knopfes. Drücken Sie zur Bestätigung auf den runden Knopf.
- Durch Drehen des Knopfes das Geschlecht bestätigen. Drücken Sie den runden Knopf zur Bestätigung. Das Gleiche gilt für Alter, Größe und Gewicht. Es folgen die Programme.

Schnellstart

Der Schnellstart funktioniert durch direktes Drücken der START-Taste. Erhöhen Sie den Widerstand durch Drehen des Knopfes.

LET OP! Bij het handmatige programma kunnen verschillende waardes worden ingesteld, bij voorgeprogrammeerde programma's kan alleen de trainingstijd worden aangepast.

Manuell Modus (FIG. B-2)

- Wählen Sie USER 1-4 durch Drücken der runden Taste. Halten Sie die Taste gedrückt, bis der Bildschirm wie in der Abbildung oben dargestellt erscheint. Das M von MANUAL blinkt nun.
- Das M steht für Manuell. Drücken Sie Start, um ein Programm zu wählen. Drehen Sie den Drehknopf, um ein Programm zu wählen. Drücken Sie start, um das Programm zu starten.
- Erhöhen/verringern Sie den Widerstand durch Drehen des Drehknopfes.
- Drücken Sie "START", um Distanz, Zeit, Kalorien und Puls zu verringern/erhöhen. Wählen Sie die Zeit, die Zeit wird heruntergezählt.

Programm-Modus (FIG. B-3)

- Wählen Sie USER 1-4 durch Drücken der runden Taste. Halten Sie die Taste gedrückt, bis der Bildschirm wie in der Abbildung oben dargestellt erscheint. Das M von MANUAL blinkt nun.
- Das M steht für Manuell.

- Sie können nun durch Drehen des runden Knopfes ein Programm auswählen. Drücken Sie Start, um ein Programm auszuwählen. Drehen Sie den Drehknopf, um ein Programm auszuwählen. Drücken Sie den Knopf erneut, um den Schwierigkeitsgrad einzustellen. Nach dem Drücken des Drehknopfes blinkt die Zeit. Wählen Sie die gewünschte Zeit und drücken.
- Sie "START", um das Programm zu starten.

H.R.C. Modus (FIG. B-4)

- Der Benutzer kann durch Drehen des Drehknopfes 55%, 75%, 90% und Zielwerte auswählen.
- TARGET kann so eingestellt werden, dass ein bestimmter Wert nicht überschritten wird. Wenn ein Maximalwert eingestellt ist und dieser überschritten wird, gibt das Gerät einen Signalton ab.
- Bitte beachten Sie, dass die Herzfrequenzmessung nicht für medizinische Zwecke verwendet werden sollte und nur einen Näherungswert darstellt.
- Starten Sie das Gerät. Drücken Sie die runde Taste, um USER 1-4 einzustellen und wenden Sie sich dann dem HART-Symbol auf dem Startbildschirm zu. Drücken Sie den runden Knopf. Den Drehknopf zur Auswahl drehen. Den Knopf drücken, um zu wählen. Dann kann die Zeit durch Drehen und Drücken des Knopfes eingestellt werden.
- Sie START drücken, um zu starten.

LET OP! De hartslagmeting dient niet voor medische doeleinden gebruikt te worden en is slechts een benadering. Tijdens deze oefening moeten de hartslagsensoren worden vastgehouden of een hartslagband worden gedragen.

WATT-Modus (B-5)

- Drehen Sie den Knopf, um die WATT-Werte einzustellen. Drücken Sie den Knopf erneut, um die Uhrzeit einzustellen.
- Drücken Sie START, um mit dem Training zu beginnen. Während des Trainings kann der WATT-Wert eingestellt werden. Wenn ein Höchstwert eingestellt ist und dieser überschritten wird, gibt das Gerät einen Signalton aus.

Benutzerprogramm-Modus (B-6)

In diesem Modus können Sie Ihr eigenes Programm erstellen.

- Drücken und drehen Sie den runden Knopf, um U zu wählen.
- Drücken und drehen Sie den Knopf, um den Widerstand pro

Takt zu ändern.

- Drücken Sie START, um zu beginnen. Drücken Sie erneut START, um die Zeit einzustellen, falls erforderlich, indem Sie den Knopf drehen. Drücken Sie erneut START, um fortzufahren. Der Widerstand ändert sich automatisch, wenn Sie ihn einstellen.

Körperfett-Modus (B-7)

- Drücken Sie die Taste Körperfett. Wählen Sie U1-U4, um das Benutzerprogramm auszuwählen.
- Legen Sie nach der Auswahl Ihre Hände auf die Herzfrequenzsensoren am Lenker.
- Nach einigen Sekunden erscheint ein ungefährer BMI (B) und Fettanteil (F).

Erholungs-Modus (B-8)

Vergewissern Sie sich, dass das Gerät während Ihres Trainings Ihre Herzfrequenz misst.

- Wenn Sie während des Trainings eine Herzfrequenzmessung vornehmen, drücken Sie auf "RECOVERY".
- Die Zeit und die Herzfrequenz werden angezeigt. Die Zeit wird ab 60 Sekunden heruntergezählt und die aktuelle Herzfrequenz wird angezeigt.
- Je schneller die Herzfrequenz sinkt, desto besser ist die Fitness.

HINWEIS! Dies ist eine Schätzung. Die Ergebnisse sollten nicht für medizinische Zwecke verwendet werden.

TRAININGSRICHTLINIEN (FIG. C, 1-5)

Ein erfolgreiches Trainingsprogramm umfasst ein Aufwärmprogramm, das eigentliche Training und ein Abkühlungsprogramm. Führen Sie das komplette Trainingsprogramm mindestens zweimal, besser jedoch dreimal pro Woche durch und halten Sie einen Ruhetag zwischen den Trainingseinheiten ein. Nach einigen Monaten kann die Intensität des Trainings erhöht werden, zum Beispiel auf vier- oder fünfmal pro Woche.

Das Aufwärmen

Das Aufwärmen dient dazu, den Körper auf das Training vorzubereiten und das Verletzungsrisiko zu verringern. Wärmen Sie Ihren Körper zwei bis fünf Minuten lang auf, bevor Sie mit einem Ausdauer- oder Krafttraining beginnen. Machen Sie Übungen, die die Herzfrequenz

erhöhen und die arbeitenden Muskeln aufwärmen. Beispiele für diese Art von Aktivität sind Laufen, Joggen, Hampelmänner, Hüpfen und Laufen auf der Stelle.

Dehnen

Dehnen, während die Muskeln warm sind, ist nach einem guten Aufwärm- und Abkühltraining sehr wichtig. Dadurch wird das Verletzungsrisiko verringert. Dehnungsübungen sollten 15-30 Sekunden lang gehalten werden. Hier sind einige Beispiele für Dehnungsübungen:

- Toe touch (Fig. C-1)
- Inner thigh stretch (Fig. C-2)
- Hamstring stretch (Fig. C-3)
- Achilles stretch (Fig. C-4)
- Side stretch (Fig. C-5)

Abkühlung

Der Zweck des Cool-downs besteht darin, den Körper am Ende des Trainings in seine (fast) normale Ruheposition zu bringen. Ein gutes Cool-down senkt langsam die Herzfrequenz und fördert die Regeneration.

SOMMAIRE

Consignes de sécurité	32
Garantie	32
Instructions de montage	32
Entraînement avec la fréquence cardiaque	33
Entraînement avec des apps de fitness	33
Instructions d'entretien	34
Dépannage	34
Console	35
Programmes	35
Directives de formation	36

CONSIGNES DE SÉCURITÉ

⚠ AVERTISSEMENT!

Consultez votre médecin avant de commencer à faire de l'exercice. Ceci est particulièrement important pour les personnes ayant des problèmes de santé. Veuillez lire toutes les instructions avant d'utiliser la machine. VirtuFit n'assume aucune responsabilité pour les blessures ou les dommages matériels résultant de l'utilisation de cet équipement. Veuillez lire attentivement ce manuel avant d'assembler et/ou d'utiliser la machine.

- Assurez-vous que la machine est correctement assemblée et que tous les écrous et boulons sont bien serrés avant de l'utiliser.
- Lubrifiez chaque année toutes les pièces mobiles avec de la vaseline (non acide) ou un spray au silicone.
- Ne portez pas de vêtements amples pour éviter qu'ils ne se prennent dans les pièces mobiles.
- Installez et utilisez l'appareil sur une surface solide et plane.
- Portez toujours des chaussures de sport propres lorsque vous utilisez l'appareil.
- Tenez les enfants et les animaux domestiques à l'écart de l'appareil pendant son utilisation.
- Maintenez votre équilibre lorsque vous utilisez l'appareil.
- Ne placez pas vos doigts ou d'autres objets dans les parties mobiles.
- Avant de vous entraîner, consultez votre médecin afin de déterminer la fréquence, la durée et l'intensité d'entraînement

appropriées à votre âge et à votre condition physique. Arrêtez immédiatement l'entraînement si vous ressentez des nausées, un essoufflement, un évanouissement, des maux de tête, des douleurs thoraciques, une oppression ou tout autre malaise.

- Cet appareil ne doit être utilisé que par une seule personne à la fois.
- Cette machine est conçue pour un usage domestique et le poids maximal de l'utilisateur est de 150 kg.
- Laissez 1 à 2 mètres d'espace derrière la machine pour éviter les accidents.
- Placez la machine sur une surface propre et plane. Ne le posez pas sur un tapis épais, qui pourrait gêner la ventilation de l'appareil. Ne placez pas l'appareil à l'extérieur ou près de l'eau.
- Maintenez l'emplacement de stockage sec, propre et de niveau pour éviter tout dommage. Il est interdit d'utiliser l'appareil à des fins autres que la formation.
- Utilisez l'appareil uniquement dans un environnement dont la température ambiante est comprise entre 10 °C et 35 °C. Conservez l'appareil uniquement dans un environnement dont la température est comprise entre 5 °C et 45 °C.

GARANTIE

Les demandes de garantie sont exclues si la cause du défaut est le résultat de:

- Travaux d'entretien et de réparation non effectués par un concessionnaire officiel.
- En cas d'utilisation inappropriée, de négligence et/ou de mauvais entretien.
- Le fait de ne pas entretenir l'appareil conformément aux instructions du fabricant.

INSTRUCTIONS DE MONTAGE (STEP 01-09)

Des pièces manquantes: Si certaines pièces manquent dans l'emballage, vérifiez soigneusement la mousse de polystyrène et l'appareil lui-même. Certaines pièces (boulons, vis, etc.) sont déjà fixées à l'appareil.

Message d'erreur: Veillez à ce que tous les câbles soient fixés avec soin. Les pieds en aluminium de la console sont très sensibles et

doivent rester droits. Si la console donne un message d'erreur après le montage de la machine, il se peut que les pieds en aluminium de la console soient pliés. Redressez les pieds en aluminium, cela peut faire disparaître le message d'erreur.

Boulons à tête hexagonale: Assurez-vous que la clé hexagonale est bien enfoncée dans le boulon avant d'appliquer la force. Cela empêchera la tête du boulon à douille de tourner.

ENTRAÎNEMENT AVEC LA FRÉQUENCE CARDIAQUE

Capteurs manuels

Cet appareil de fitness VirtuFit est équipé de capteurs manuels pour mesurer la fréquence cardiaque. Les capteurs manuels sont fixés à la poignée et ne fonctionnent que si les deux capteurs sont maintenus pendant une période prolongée. Pour une performance optimale, il est important que les mains soient légèrement humides et exercent une pression constante sur les capteurs. Des mains trop sèches ou trop humides peuvent entraîner des relevés anormaux.

REMARQUE! Pour éviter toute interférence, n'utilisez jamais les capteurs manuels avec un moniteur de fréquence cardiaque sans fil.

Moniteur de fréquence cardiaque sans fil (5 kHz et Bluetooth)

Cet appareil de fitness VirtuFit est équipé d'un récepteur de fréquence cardiaque sans fil. Pour mesurer votre fréquence cardiaque avec un moniteur de fréquence cardiaque sans fil, utilisez un moniteur de fréquence cardiaque qui fonctionne sur Bluetooth et/ou une fréquence de 5 kHz. Avec un cardiofréquencemètre sans fil, il est important que les électrodes soient légèrement humides et que le cardiofréquencemètre soit bien adapté à votre corps. Reportez-vous au manuel d'utilisation de votre cardiofréquencemètre pour obtenir des instructions appropriées. Une utilisation incorrecte du moniteur de fréquence cardiaque peut entraîner des relevés anormaux.

REMARQUE!

- Un moniteur de fréquence cardiaque sans fil n'est pas fourni en standard. Contactez votre revendeur pour acheter un moniteur de fréquence cardiaque sans fil.
- Pour éviter toute interférence, n'utilisez jamais le cardiofréquencemètre sans fil en combinaison avec les capteurs manuels.

⚠ AVERTISSEMENT!

- Si vous avez un stimulateur cardiaque, nous vous recommandons de consulter votre médecin avant d'utiliser un moniteur de fréquence cardiaque sans fil.
- Dans les pièces où se trouvent plusieurs cardiofréquencemètres, il est recommandé de garder une distance suffisante pour éviter les interférences entre les différents appareils.
- Essayez toujours de maintenir le cardiofréquencemètre sans fil à moins d'un mètre de la console pour une réception optimale.
- Portez toujours un cardiofréquencemètre sans fil directement sur le corps, sous les vêtements.

ENTRAÎNEMENT AVEC DES APPS DE FITNESS

VirtuFit ne fournit pas de service pour les applications de fitness tierces telles que Kinomap, iConsole, FitShow etc. Si vous rencontrez des problèmes avec une application de fitness tierce, veuillez contacter le développeur de l'application en question.

Instruction

- Pour scanner le code QR avec un téléphone ou une tablette Android ou IOS, un scanner de code QR est nécessaire. L'application permettant de scanner les codes QR peut être téléchargée sur l'App Store ou le Google Play Store.
- Scannez l'un des codes QR ci-dessous pour accéder directement à la page de l'App Store ou du Google Play Store où l'application de fitness peut être téléchargée.
- Scannez le code QR à droite pour accéder au manuel de l'application de fitness. Le manuel décrit étape par étape comment connecter l'application de fitness à l'appareil, comment l'application de fitness fonctionne et quelles sont ses possibilités.

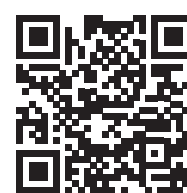
iConsole+



APP STORE



GOOGLE PLAY



MANUAL

Kinomap



APP STORE



GOOGLE PLAY



MANUAL

ENTRETIEN

Une utilisation sûre et efficace ne peut être obtenue que si l'appareil est correctement installé et entretenu. Il est de votre responsabilité de veiller à ce que l'appareil soit entretenu régulièrement. Les pièces qui ont été utilisées et/ou endommagées doivent être remplacées avant toute nouvelle utilisation de l'appareil. L'appareil doit être utilisé et rangé uniquement à l'intérieur. Une exposition à long terme aux intempéries et aux changements de température/humidité peut avoir un impact sérieux sur les composants électriques et les pièces mobiles de l'appareil. Débranchez toujours le câble d'alimentation de l'appareil avant de le nettoyer ou de l'entretenir.

Entretien quotidien

- Nettoyez et éliminez la sueur et l'humidité après chaque utilisation.
- Vérifiez que l'appareil est exempt de poussière et de saleté.
- N'utilisez pas de produits de nettoyage agressifs et maintenez l'appareil à l'abri de l'humidité.

Entretien semestriel

- Inspectez tous les boulons et écrous liés aux parties mobiles de l'unité. Serrez les boulons et les écrous si nécessaire et selon les besoins.
- Vérifiez la mobilité des pièces et composants mobiles de l'appareil. Utilisez le spray silicone si nécessaire et selon les besoins.

Nous recommandons ce qui suit:

- Nettoyez l'appareil après utilisation.
- Utilisez un chiffon sec pour nettoyer le panneau de commande et les zones autour de l'interrupteur marche/arrêt.
- Utilisez un chiffon doux et propre et un détergent pour éliminer les marques et les saletés tenaces sur l'appareil.
- Conservez l'appareil dans un endroit sûr et sec, à l'abri de la

chaleur et de l'eau.

ATTENTION!

- *Toute réparation doit être effectuée par un technicien professionnel, sauf indication contraire du fournisseur ou du fabricant.*

Nettoyage

Un nettoyage général de l'appareil prolongera sa durée de vie. Gardez l'appareil propre en le dépoussiérant régulièrement.

Un entretien régulier prolongera la durée de vie de votre appareil et évitera les blessures ! Pour de plus amples informations, veuillez consulter le site <https://www.virtufit.nl/service/faq/>

DÉPANNAGE

L'écran n'affiche aucune valeur: Vérifiez que les câbles du capteur et de la console sont correctement fixés et non endommagés. Si cela ne résout pas le problème, pliez soigneusement le capteur.

Dispositif grince: Vérifiez que tous les boulons et écrous sont fermement serrés.

Tikkend geluid: Het kans zijn dat het vliegwiel (in de behuizing) tegen een kabeltje komt bij elke beweging. Dit is wellicht storend, maar zal geen permanente schade aanbrengen. Om dit op te lossen dient de behuizing te worden geopend en het kabeltje te worden verlegd of vastgemaakt met bijvoorbeeld een tie-wrap.

Geen weerstand: Controleer of u de motor kunt horen draaien. De motor is kort te horen wanneer de weerstand wordt verhoogt of verlaagt.

- Wanneer u de motor hoort draaien, is alle elektronica in orde, maar is de V-snaar er waarschijnlijk afgelopen. Open de behuizing en leg de V-snaar er weer op.
- Wanneer u de motor niet hoort draaien, kan het zo zijn dat de motor of het display defect is. Controleer of de kabel die in de buis naar boven loopt goed is aangesloten.

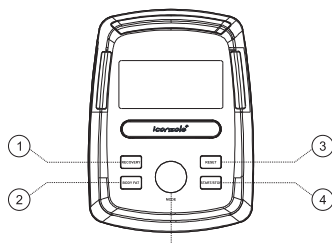
Hartslagweergave functioneert niet: Dit kan verschillende oorzaken hebben.

- De sensorkabeltjes die van de hartslagsensor naar het display lopen zijn niet goed gemonteerd of losgeraakt tijdens gebruik.
- Het kan zijn dat de sensoren vochtig, vies of vet geworden zijn, maak deze regelmatig schoon.

Les capteurs de main ne fonctionnent pas correctement: Lavez vos mains, séchez-les bien et testez à nouveau les capteurs de main. Si cela ne résout pas le problème, vérifiez si les câbles du guidon ne sont pas endommagés et s'ils sont correctement connectés au connecteur. Si cela ne corrige toujours pas le problème, remplacez la poignée.

La console ne fonctionne pas: S'il n'y a pas de signal, vérifiez que le câble est correctement connecté.

CONSOLE (FIG. A)



- **RECOVERY** Pendant l'exercice, appuyez sur le bouton "RECOVERY" lorsque la valeur de la fréquence cardiaque est affichée pour lancer la fonction de récupération de la fréquence cardiaque.
- **BODY FAT** Pendant l'exercice, appuyez sur le bouton "BODY FAT" lorsque la valeur est affichée pour lancer la mesure du pourcentage de graisse et de l'IMC.
- **RESET** Appuyez sur le bouton et les réglages seront effacés.
- **START/STOP** Démarrer/arrêter l'exercice.
- **MODE** Appuyez/tournez le bouton "MODE" pour basculer entre les différentes fonctions et valeurs pendant l'exercice.

Fonctions

- **TIME** La durée totale de l'exercice s'affiche.
- **SPEED** La vitesse de l'exercice sera affichée.
- **DISTANCE** Affiche la distance parcourue.
- **CALORIES** Le nombre total de calories brûlées pendant l'entraînement est affiché.
- **PULSE** Lorsque vous utilisez les capteurs de fréquence cardiaque, votre fréquence cardiaque s'affiche pendant l'exercice.
- **RPM** Affiche le nombre de tours par minute (Rounds Per Minute).
- **WATTS** Affiche la puissance en watts pendant l'exercice.
- **MANUAL** Les fonctions changent automatiquement toutes les 6 secondes.
- **PROGRAM** Sélectionner l'un des 12 programmes.
- **USER** L'utilisateur détermine son propre programme de résistance.

- **H.R.C.** Heart Rate Control, programme de fréquence cardiaque.
- **RECOVERY** État de récupération de la fréquence cardiaque.
- **BODY FAT** Mesure de la graisse corporelle..

PROGRAMME (FIG. B, 1-3)

User Modus (FIG. B-1)

- Sélectionnez un profil utilisateur en tournant le bouton. Appuyez sur le bouton rond pour confirmer.
- Confirmez le genre en tournant le bouton. Appuyez sur le bouton rond pour confirmer. Il en va de même pour l'âge, la taille et le poids. Les programmes suivent.

Démarrage rapide

Le démarrage rapide s'effectue en appuyant directement sur le bouton START. Augmentez la résistance en tournant le bouton.

LET OP! Bij het handmatige programma kunnen verschillende waarden worden ingesteld, bij voorgeprogrammeerde programma's kan alleen de trainingstijd worden aangepast.

Mode Manuel (FIG. B-2)

- Sélectionnez USER 1-4 en appuyant sur le bouton rond. Maintenez la touche enfoncée jusqu'à ce que l'écran apparaisse comme indiqué sur le schéma ci-dessus. Le M de MANUAL clignote alors.
- Le M signifie Manuel. Appuyez sur start pour sélectionner un programme. Tournez le bouton pour sélectionner un programme. Appuyez sur start pour lancer le programme.
- Augmentez/diminuez la résistance en tournant le bouton.
- Appuyez sur "START" pour diminuer/augmenter la distance, le temps, les calories et le pouls. Sélectionnez l'heure, le temps se décompte.

Mode Programme (FIG. B-3)

- Sélectionnez USER 1-4 en appuyant sur le bouton rond. Maintenez cette touche enfoncée jusqu'à ce que l'écran apparaisse comme indiqué dans le schéma ci-dessus. Le M de MANUEL clignote alors.
- Le M signifie Manuel.
- Vous pouvez maintenant sélectionner un programme en tournant le bouton rond. Appuyez sur Start pour sélectionner un programme. Tournez le bouton pour sélectionner un

programme. Appuyez à nouveau sur le bouton pour régler le niveau de difficulté. Après avoir appuyé sur le bouton, l'heure clignote.

- Sélectionnez l'heure souhaitée et appuyez sur "START" pour lancer le programme.

H.R.C. Mode (FIG. B-4)

- L'utilisateur peut sélectionner 55%, 75%, 90% et les valeurs cibles en tournant le bouton.
- La cible peut être réglée pour ne pas dépasser une certaine valeur. Si une valeur maximale est définie et que la valeur la dépasse, l'appareil émet un bip.
- Veuillez noter que la mesure de la fréquence cardiaque ne doit pas être utilisée à des fins médicales et qu'il ne s'agit que d'une approximation.
- Démarrez l'appareil. Appuyez sur le bouton rond pour régler USER 1-4, puis passez au symbole HART sur l'écran d'accueil. Appuyez sur le bouton rond. Tournez le bouton pour sélectionner. Appuyez sur le bouton pour sélectionner. Vous pouvez ensuite régler l'heure en tournant et en appuyant sur le bouton.
- Appuyez ensuite sur START pour démarrer.

LET OP! De hartslagmeting dient niet voor medische doeleinden gebruikt te worden en is slechts een benadering. Tijdens deze oefening moeten de hartslagsensoren worden vastgehouden of een hartslagband worden gedragen.

Mode WATT (B-5)

- Tournez le bouton pour régler les valeurs WATT. Appuyez à nouveau sur le bouton pour régler l'heure.
- Appuyez sur START pour commencer l'exercice. Pendant l'exercice, la WATT peut être ajustée. Si une valeur maximale est définie et que la valeur la dépasse, l'appareil émet un signal sonore.

Mode Programme Utilisateur (B-6)

Dans ce mode, vous pouvez créer votre propre programme.

- Appuyez et tournez le bouton rond pour sélectionner le programme U.
- Appuyez et tournez le bouton pour modifier la résistance par barre.
- Appuyez sur START pour commencer. Appuyez de nouveau sur START pour régler l'heure si nécessaire en tournant le bouton.

Appuyez de nouveau sur START pour reprendre. La résistance change automatiquement au fur et à mesure que vous la réglez.

Mode Graisse Corporelle (B-7)

- Appuyez sur le bouton Body Fat. Sélectionnez U1-U4 pour choisir le programme utilisateur.
- Après avoir sélectionné, placez vos mains sur les capteurs de fréquence cardiaque situés sur le guidon.
- Après quelques secondes, une approximation de l'IMC (B) et du pourcentage de graisse (F) s'affiche.

Erholungs-Modus (B-8)

Assurez-vous que l'appareil mesure votre fréquence cardiaque pendant votre séance d'entraînement.

- Si vous effectuez une mesure de la fréquence cardiaque pendant votre entraînement, appuyez sur "RECOVERY".
- Le temps et la fréquence cardiaque s'affichent. Le temps est décompté à partir de 60 secondes et la fréquence cardiaque actuelle s'affiche.

REMARQUE! Il s'agit d'une estimation. Les résultats ne doivent pas être utilisés à des fins médicales.

DIRECTIVES DE FORMATION (FIG. C, 1-5)

Un programme d'entraînement réussi comprend un échauffement, l'entraînement proprement dit et un retour au calme. Effectuez le programme d'entraînement complet au moins deux, mais de préférence trois fois par semaine et gardez un jour de repos entre les séances d'entraînement. Après quelques mois, l'intensité de l'entraînement peut être augmentée, par exemple à quatre ou cinq fois par semaine.

L'échauffement

L'objectif d'un échauffement est de préparer le corps à l'entraînement et de réduire le risque de blessure. Réchauffez votre corps pendant deux à cinq minutes avant de commencer un entraînement cardio ou musculaire. Faites des exercices qui augmentent le rythme cardiaque et échauffent les muscles qui travaillent. Exemples de ce type d'activités: course, jogging, jumping jacks, saut à la corde et course sur place.

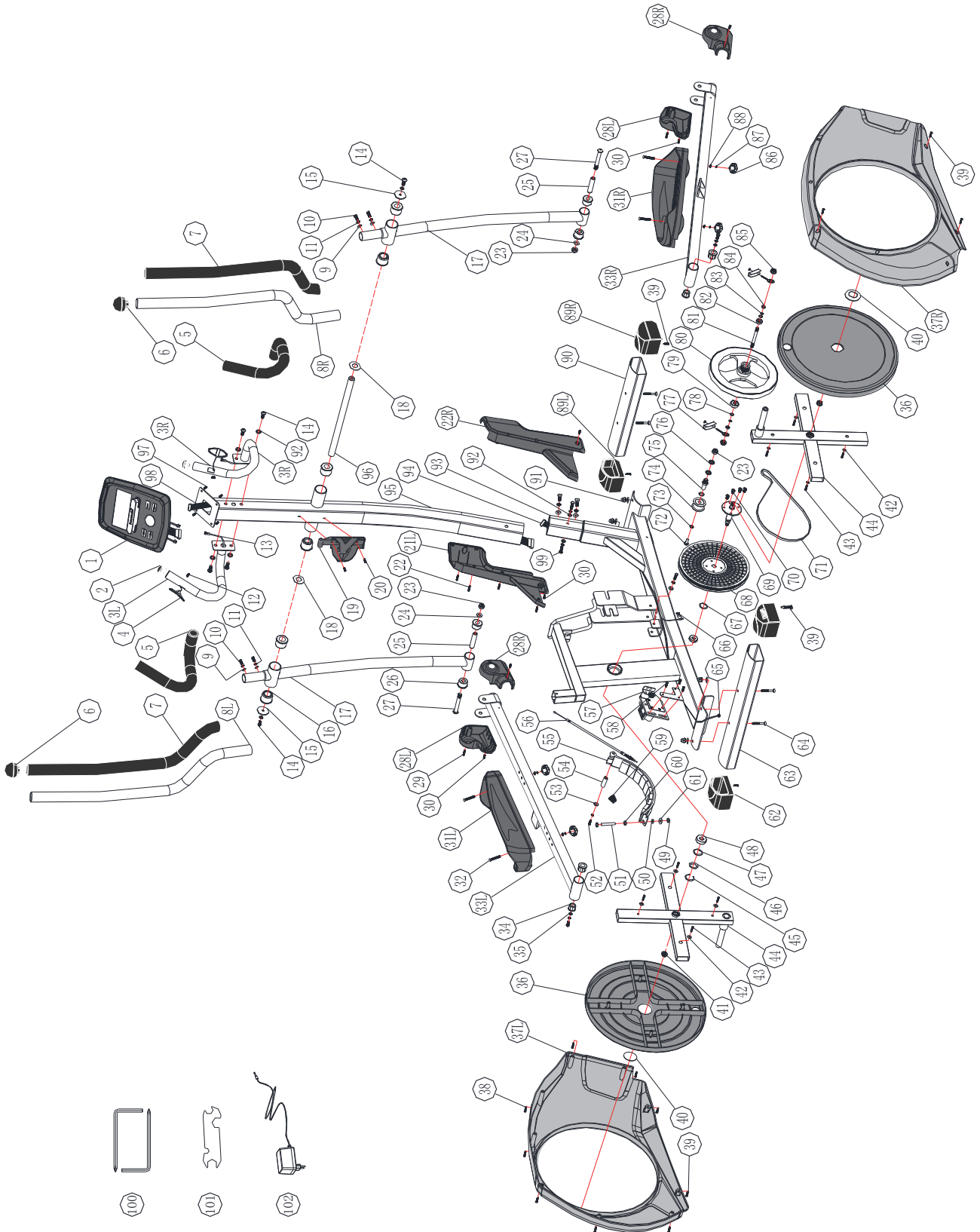
Étirements

Les étirements pendant que les muscles sont chauds sont très importants après un bon échauffement et un bon retour au calme. Il réduit les risques de blessures. Les exercices d'étirement doivent être maintenus pendant 15 à 30 secondes. Voici quelques exemples d'exercices d'étirement:

- Toe touch (Fig. C-1)
- Inner thigh stretch (Fig. C-2)
- Hamstring stretch (Fig. C-3)
- Achilles stretch (Fig. C-4)
- Side stretch (Fig. C-5)

Retour au calme

Le but du refroidissement est de ramener le corps à sa position de repos (presque) normale à la fin de l'entraînement. Un bon retour au calme réduit lentement votre rythme cardiaque et favorise la récupération.



#	DESCRIPTION	QTY.
1	Computer	1
2	End cap for handlebar	2
3L	Handlebar (Left)	1
3R	Handlebar (Right)	1
4	Hand pulse pads	2
5	handlebar foam	2
6	End cap for upper handlebar	2
7	Upper handlebar foam	2
8L	Upper handlebar (Left)	1
8R	Upper handlebar (Right)	1
9	Curved washer M8	10
10	Allen bolt M8*20	4
11	Spring washer M8	12
12	Self-tapping screw M3.5*20	2
13	Hand Pulse cable	2
14	Allen bolt M8*20	8
15	Flat washer 8.5*36*3T	2
16	Handlebar pivot bushes	6
17	Lower handlebar	2
18	Flat washer 19.5*38*0.5T	2
19	Water bottle holder	1
20	Screw M5*20	1
21L	Front bottom plastic cover (Left)	1
21R	Front bottom plastic cover (Right)	1
22	Self-tapping screw M3*15	1
23	Nylon lock nut M10	3
24	Flat washer M10*19*2	2
25	Tube spacer 14*59.5	2
26	Handlebar lower pivot bushes	4
27	Allen bolt M10*78	2
28L	Plastic cover foot support (L)	2
28R	Plastic cover foot support (R)	2
29	Self-tapping screw M4*15	5
30	Screw M5*15	6
31L	Footplate (Left)	1
31R	Footplate (Right)	1
32	Carriage bolt M6*50	4
33L	Foot support bar (Left)	1

#	DESCRIPTION	QTY.
33R	Foot support bar (Right)	1
34	Bushing	4
35	Flat washer 8*28*2T	2
36	Round cover	2
37L	Chain cover (Left)	1
37R	Chain cover (Right)	1
38	Self-tapping screw M4.5*25	6
39	Screw M5*15	10
40	Plastic cover	2
41	Nut M10*1.25	2
42	Washer 5*16*1	8
43	Self-tapping screw M4*15	8
44	Crank 2	2
45	C-shape washer 18	1
46	Waved washer 20.5*25*0.5T	1
47	Washer 20*25*1	1
48	Bearing 6004RS	2
49	Nut M6	1
50	Flat washer 6.5*19*1.5T	1
51	Hex head screw M6*75	1
52	Allen head screw M6*16	2
53	Flat washer 6*13*1.5T	2
54	Axle for magnet holder	1
55	Magnet set	1
56	Cable	1
57	Motor	1
58	Screw M5*15	5
59	Tapered spring	1
60	Nut M6	1
61	Plastic washer 6.5*22*1.5T	1
62	Rear end cap	2
63	Rear stabilizer	1
64	Carriage bolt M8*55	4
65	DC line	1
66	Sensor	1
67	Washer 20*25*2	1
68	Belt wheel	1
69	Pedal Axle	1

#	DESCRIPTION	QTY.
70	Anti-loose Allen bolt M8*12	4
71	Belt	1
72	Hex head screw M6*12	1
73	Flat washer 6*13*1T	1
74	Idler	1
75	Axle for Idler	1
76	Flat washer 10*19*1.5	2
77	Belt adjustment set	2 sets
78	Waved washer □10*15*0.3T	2
79	Bearing 6300RS	1
80	Flywheel	1
81	Flywheel Axle	1
82	Bearing 6000RS	1
83	C-shape washer □9	2
84	Hex nut M10*1.25*4T	2
85	Nut M10*1.25	2
86	Knob M6	4
87	Spring washer M6	6
88	Flat washer 6*16*2	4
89L	End cap for front stabilizer (Left)	1
89R	End cap for front stabilizer (Right)	1
90	Front Stabilizer	1
91	Cap nut M8	4
92	Flat washer 8*19*1.5T	6
93	Main frame	1
94	Lower tension cable	1
95	Handlebar post	1
96	Rotation rod	1
97	Screw for computer M5*12	4
98	Upper tension cable	1
99	Hex bolt M8*20	4
100	Allen key wrench with phillips head	2
101	Combination wrench	1
102	Adapter	1

virtufit

COMPANY INFORMATION

For an ongoing service request or to purchase parts, please visit; service@virtufit.nl. Always state the service number (ITS number) with a question about the current application for a quick and efficient settlement. A service request must always be submitted via the service form. So the request not to request service via info@virtufit.nl.

Do you have a problem with your VirtuFit fitness equipment and would you like to submit a service request? Then scan the QR code on the right and fill in our service form.



VIRTUFIT

Twekkelerweg 263
7553 LZ Hengelo
The Netherlands
info@virtufit.nl