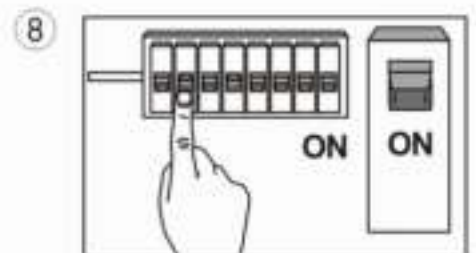
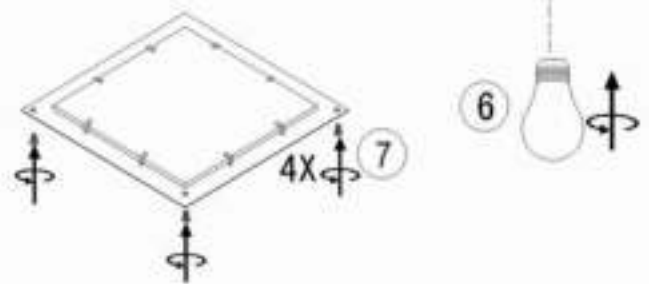
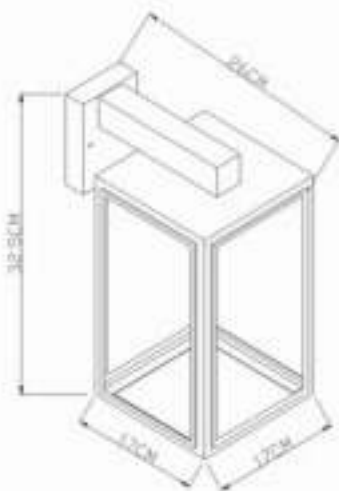
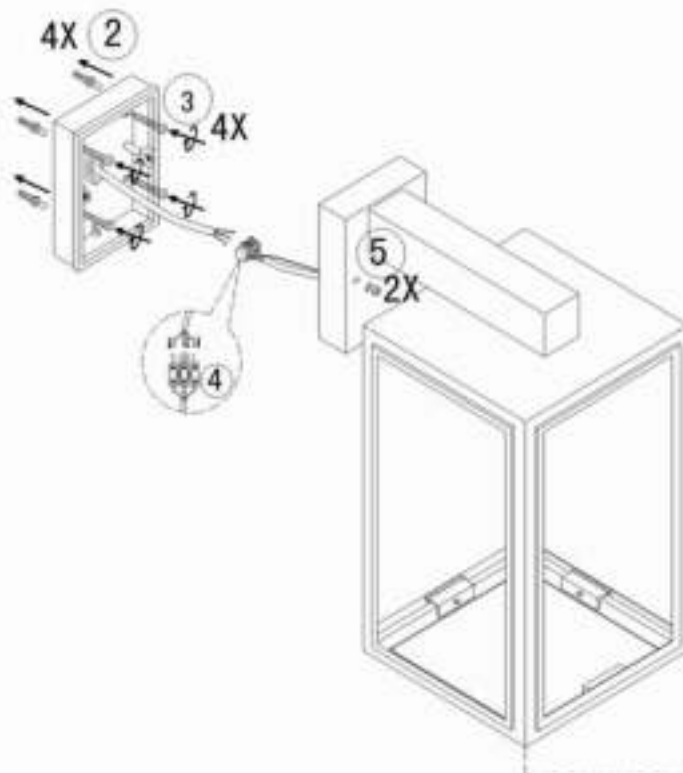


INSTRUCTION MANUAL



Sutton WL Down Black
91372



QAZQA