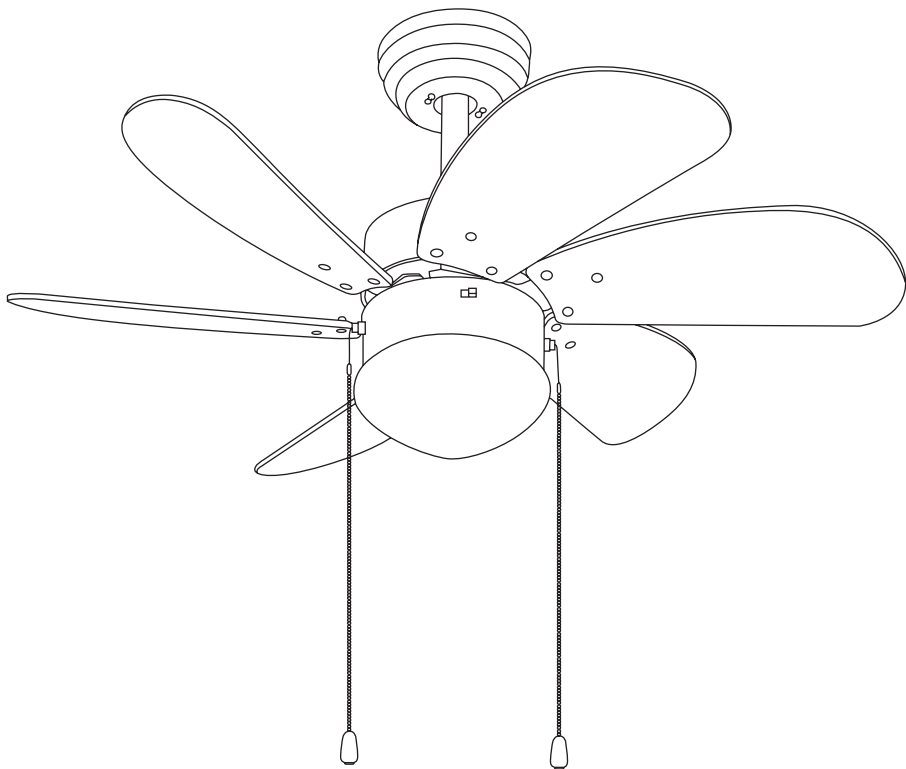


# CREATE

## WINDLIGHT EASY



**CEILING FAN**

---

**USER MANUAL**





## INDEX

---

### ENGLISH

MECANIC PROBLEMS	6
LOCATION AND INSTALLATION REQUIREMENTS	6
SECURITY INSTRUCTIONS	6
ELECTRIC PROBLEMS	7
CAUTIONS AND WARNINGS	7
LIST OF PARTS	7
INSTALLATION PREPARATION	8
INSTALLATION INSTRUCTIONS	8
ELECTRIC CONNECTION	8
POST INSTALLATION	9
FIXING THE MOUNTING BRACKET	9
MOUNT AND HANG THE FAN	10
BLADE ASSEMBLY	11
INSTALLING THE LIGHT KIT	11
MOUNTING THE ROSETTE	12

### ESPAÑOL

PROBLEMAS MECÁNICOS	13
REQUISITOS DE UBICACIÓN E INSTALACIÓN	13
INSTRUCCIONES DE SEGURIDAD	13
PROBLEMAS ELÉCTRICOS	14
PRECAUCIONES Y ADVERTENCIAS	14
LISTA DE PARTES	14
PREPARACIÓN DE LA INSTALACIÓN	15
INSTRUCCIONES DE INSTALACIÓN	15
CONEXIÓN ELÉCTRICA	15
INSTALACIÓN DE LA TIJA	16
FIJACIÓN DEL SOPORTE DE MONTAJE	16
MONTAR Y COLGAR EL VENTILADOR	17
ENSAMBLAJE DE LAS ASPAS	18
INSTALACIÓN DEL KIT DE LUZ	18
MONTAJE DEL FLORÓN	19

### PORTUGUÊS

PROBLEMAS MECÂNICOS	20
REQUISITOS DE LOCALIZAÇÃO E INSTALAÇÃO	20
INSTRUÇÕES DE SEGURANÇA	20
PROBLEMAS ELÉTRICOS	21
CUIDADOS E ADVERTÊNCIAS	21
LISTA DE PEÇAS	21
PREPARAÇÃO DE INSTALAÇÃO	22
INSTRUÇÕES DE INSTALAÇÃO	22
CONEXÃO ELÉTRICA	22
PÓS-INSTALAÇÃO	23
FIXANDO O SUPORTE DE MONTAGEM	23
MONTE E PENDURE O VENTILADOR	24
CONJUNTO DE LÂMINA	25
INSTALANDO O KIT DE LUZ	25
MONTAGEM DA ROSETA	26

### FRANÇAIS

PROBLÈMES MÉCANIQUES	27
EMPLACEMENT ET D'INSTALLATION	27
CONSIGNES DE SÉCURITÉ	27
PROBLÈMES ÉLECTRIQUES	28
PRÉCAUTIONS ET AVERTISSEMENTS	28
LISTE DES PIÈCES	28
PRÉPARATION DE L'INSTALLATION	29
BRANCHEMENT ELECTRIQUE	29
INSTRUCTIONS D'INSTALLATION	29
POST-INSTALLATION	30
FIXATION DU SUPPORT DE MONTAGE	30
MONTER ET ACCROCHER LE	31
VENTILATEUR	31
ASSEMBLAGE DE LA LAME	32
INSTALLATION DU KIT D'ÉCLAIRAGE	32
MONTAGE DE LA ROSACE	33

**INDEX****ITALIANO**

PROBLEMI MECCANICI
UBICAZIONE E REQUISITI DI INSTALLAZIONE
ISTRUZIONI DI SICUREZZA
PROBLEMI ELETTRICI
PRECAUZIONI E AVVERTENZE
ELENCO DELLE PARTI
PREPARAZIONE DELL'INSTALLAZIONE
ISTRUZIONI PER L'INSTALLAZIONE
COLLEGAMENTO ELETTRICO
POST INSTALLAZIONE
FISSAGGIO DELLA STAFFA DI MONTAGGIO
MONTA E APPENDI IL VENTILATORE
GRUPPO LAME
INSTALLAZIONE DEL KIT LUCI
MONTAGGIO DELLA ROSETTA

**DEUTSCH**

34	MECHANISCHE PROBLEME	41
34	INSTALLATIONSVORAUSSETZUNGEN	41
34	SICHERHEITSHINWEISE	41
35	ELEKTRISCHE PROBLEME	42
35	VORSICHTS- UND WARNHINWEISE	42
35	LISTE DER TEILE	42
36	INSTALLATIONSVORBEREITUNG	43
36	ELEKTRISCHER ANSCHLUSS	43
36	INSTALLATIONSANLEITUNG	43
37	NACH DER INSTALLATION	44
37	BEFESTIGUNG DER MONTAGEHALTERUNG	44
38	MONTIEREN UND HÄNGEN SIE	45
39	KLINGENMONTAGE	46
39	INSTALLATION DES BELEUCHTUNGSKITS	46
40	ROSETTE MONTIEREN	47

**NEDERLANDS**

MECHANISCHE PROBLEMEN
LOCATIE- EN INSTALLATIEVEREISTEN
BEVEILIGINGSINSTRUCTIES
ELEKTRISCHE PROBLEMEN
VOORZORGSMAATREGELEN EN WAARSCHUWINGEN
LIJST MET ONDERDELEN
INSTALLATIE VOORBEREIDING
ELEKTRISCHE AANSLUITING
INSTALLATIE INSTRUCTIES
NA INSTALLATIE
DE MONTAGEBEUGEL BEVESTIGEN
MONTEER EN HANG DE VENTILATOR
MES MONTAGE
DE LICHTSET INSTALLEREN
DE ROZET MONTEREN

**POLSKI**

48	PROBLEMY MECHANICZNE	55
48	WYMAGANIA DOTYCZĄCE LOKALIZACJI I INSTALACJI	55
48	INSTRUKCJE BEZPIECZEŃSTWA	55
49	PROBLEMY ELEKTRYCZNE	56
49	PRZESTROGI I OSTRZEŻENIA	56
49	LISTA CZĘŚCI	56
50	PRZYGOTOWANIE INSTALACJI	57
50	POŁĄCZENIE ELEKTRYCZNE	57
50	INSTRUKCJE INSTALACJI	57
51	PO INSTALACJI	58
51	MOCOWANIE WSPORNIKA MONTAŻOWEGO	58
52	ZAMONTUJ I ZAWIEŚ WENTYLATOR	59
53	ZESPÓŁ OSTRZA	60
53	INSTALOWANIE ZESTAWU OŚWIETLENIOWEGO	60
54	MONTAŻ ROZETY	61

# ENGLISH

---

Thank you for choosing our ceiling fan. Before using the appliance, and to ensure the best use, please read these instructions carefully.

The safety precautions included in this document reduce the risk of death, injury, and electric shock when properly followed. Keep the manual in a safe place for future reference, along with the complete warranty card, sales receipt, and package. If applicable, please forward these instructions to the next owner of the appliance. Always follow basic safety precautions and accident prevention measures when using an electrical appliance. We do not assume any responsibility for the breach of these requirements by the customer.

---

## SECURITY INSTRUCTIONS

---

When using any electrical appliance, basic safety precautions should always be observed.

- This appliance is not designed for use by persons with reduced physical, sensory or mental disabilities or lack of experience and knowledge, unless they are under supervision or have been instructed in the safe use of the appliance and understand the dangers involved.
- Children do not recognize the dangers that can occur when operating a ceiling fan
- Keep children away from ceiling fans.
- Do not expose the ceiling fan to rain or moisture. Do not use the ceiling fan outdoors or with wet hands.

---

## LOCATION AND INSTALLATION REQUIREMENTS

---

### MECHANIC PROBLEMS

- According to safety regulations, the lowest point of the fan blade must be at least 2.3 m (7 ft) above the ground.
- Make sure the chosen location does not allow the rotating fan blades to come into contact with anything.
- Make sure the ceiling joists are solid and large and strong enough to support the weight of the fan.
- To reduce the risk of fire, electric shock, or personal injury, make sure the fan mounting bracket is connected directly to the building structure. DO NOT mount it in a distribution box.
- The mounting bracket must be firmly bolted to a supporting structure, for example a concrete ceiling, a steel structure or a wooden frame. If a wooden frame is added, it must be firmly nailed or screwed between two rafters.
- To reduce the risk of personal injury and property damage, do not bend or damage the fan rod or blades when handling or installing them.
- Make sure the ceiling fan is securely attached to the ceiling. All set screws should be checked and retightened as necessary prior to fan operation.

## ELECTRIC PROBLEMS

- Always turn off the power before repairing the ceiling fan and turn off the circuit breaker that feeds the power to the light. To avoid possible electric shock, make sure the electricity is turned off at the fuse box or circuit breaker panel before wiring.
- The fan, mounting bracket, and light kit must be grounded. Make sure all spliced connections are adequately insulated.
- Check and confirm that all connections are correct and secure. When all electrical connections are made, store all cables in an orderly fashion.
- Do not attempt to control this fan from any wall switch or remote control that is not approved by the manufacturer for use with this fan. DO NOT use a solid state controller. Use of an unapproved remote control or wall switch will void the warranty.
- Do not connect the ceiling fan to a dimmer or dimmer.

---

## CAUTIONS AND WARNINGS

---

- Use only CREATE replacement parts.
- To reduce the risk of personal injury, connect the fan directly to the building support structure in accordance with these instructions and use only the supplied hardware.
- To avoid possible electrical shock, before installing your fan, disconnect power by turning off the circuit breakers in the outlet box and associated wall switch.
- All wiring must be in accordance with national and local electrical codes and ANSI / NFPA 70. If you are unfamiliar with wiring, contact a qualified electrician.
- To reduce the risk of personal injury, do not bend the blade clamping system when installing, balancing, or cleaning the fan. Never insert foreign objects between the rotating fan blades.
- To reduce the risk of fire, electric shock, or motor damage, do not use a solid state speed control with this fan. Use only CREATE speed controls

**Note:** The important safety precautions and instructions in this manual are not intended to cover all possible conditions and situations that may occur. It should be understood that common sense and caution are necessary factors in the installation and operation of this fan.

---

## LIST OF PARTS

---



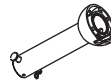
Mounting  
bracket



Floron



Blade hitch



Shank



Blades



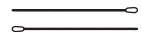
Expansion  
bolts



Motor



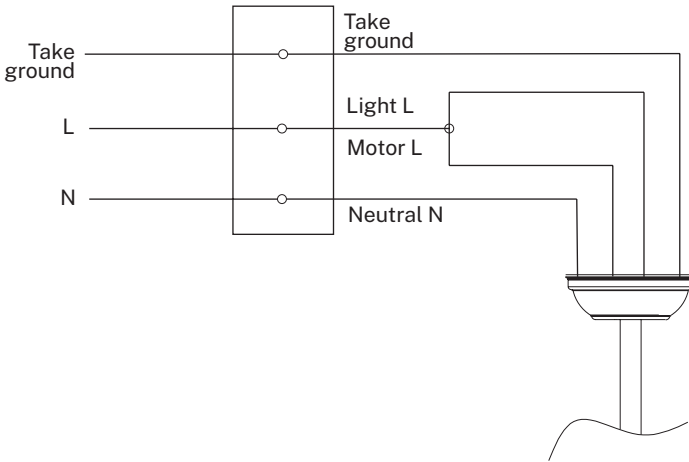
Tulipa



Chains

## ELECTRIC CONNECTION

- Make the connection between the cables of the electrical installation of your home and the cables of the fan motor following the instructions below.

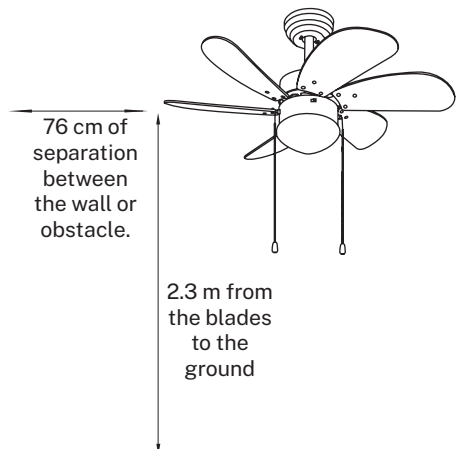


## INSTALLATION INSTRUCTIONS

- Mark the correct position of the holes and fix the mounting bracket using the screws with metal plugs or screws and washers suitable for the type of ceiling chosen.
- Check the correct installation of the bracket before hanging the fan. This plate must support the full weight of the fan.

### INSTALLATION PREPARATION

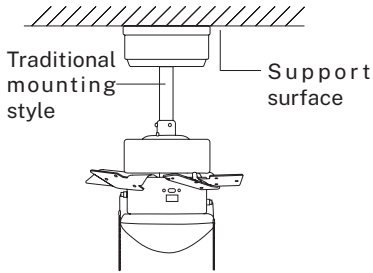
- To avoid personal injury and damage, make sure the place to hang the blades leaves a clearance of 2.3 m from the ground and 76 cm from any walls or obstacles.
- Make sure the mounting bracket is securely attached to the building structure and can support the full weight of the fan.



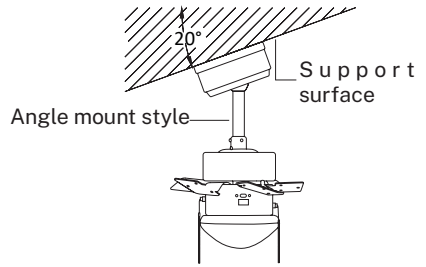


## POST INSTALLATION

- Remove the bolt from the seatpost, removing the pin and pass the finial (crown molding) and hood through the hanger bar. Next, route the fan motor wires through the inside of the hanger bar. Tighten the hanger bar to the engine and insert the bolt and pin.



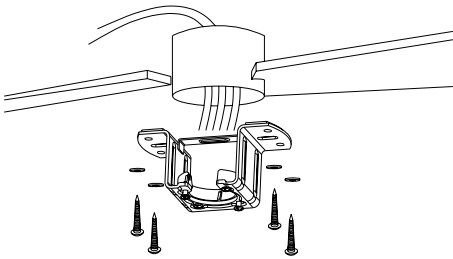
The standard mount hangs from the ceiling using a rod.



Angle mounting is recommended for a vaulted or angled ceiling.

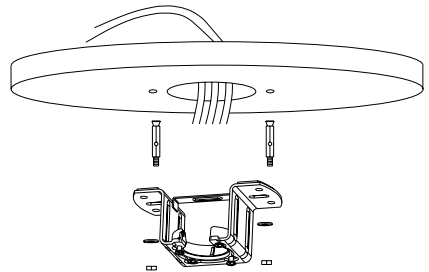
## FIXING THE MOUNTING BRACKET

- The outlet box and beam must be securely mounted and capable of reliably supporting at least the weight of the fan.



### Wood roof

Securely attach the mounting bracket with wood screws and washers to the ceiling joints.

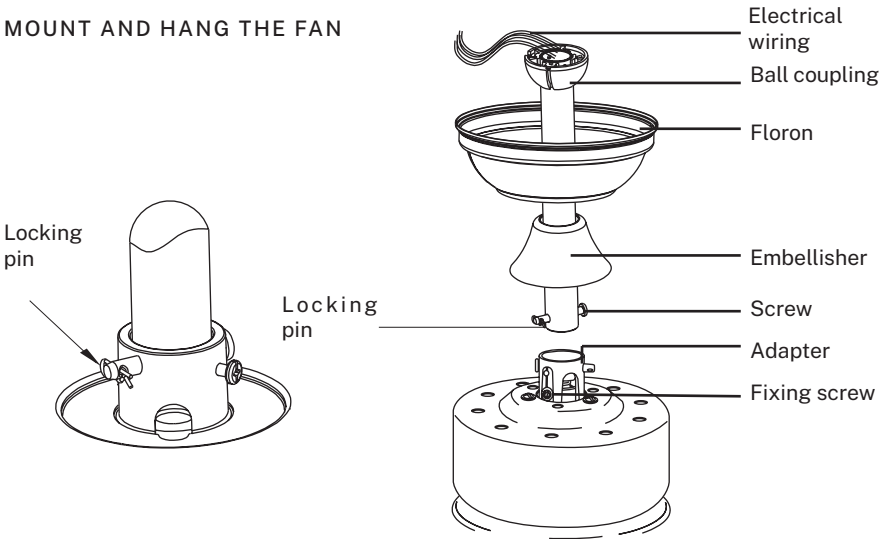


### Concrete ceiling

Drill holes with an 8mm drill, depending on the length of the expansion screws. Next, secure the mounting bracket to the ceiling with the expansion screws.

Do not fix the mounting bracket directly on ceilings with a thickness less than 10mm to avoid the risk of the screw loosening.

## MOUNT AND HANG THE FAN



- If you want to extend the suspension length of your fan, you must remove the hanging ball from the rod provided for use with the extension rod (included).

(If you want to use the downrod, follow the instructions below.)

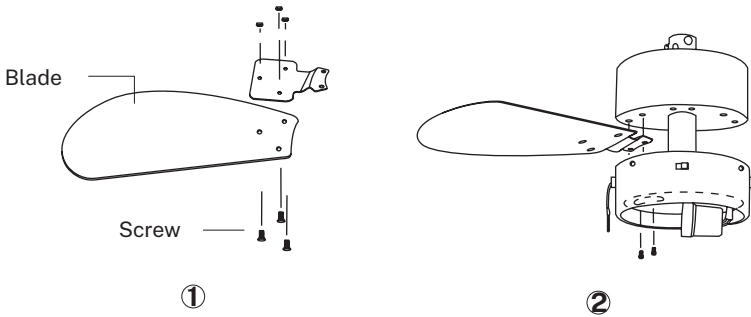
- To remove the hanging ball, loosen the hanging ball set screw and remove the pin and bolt. Lower the hanging ball and remove the stopper pin. Slide the hanging ball out of the original rod and slide it down the longest rod (it should be noted that the top of the rod has a hole for the set screw, use this hole when inserting the set screw).
- Insert the stopper pin into the top of the extended rod and lift off the hanging ball.
- Make sure the stopper pin aligns with the slots on the inside of the hanging ball, securely tighten the set screw.

**Tip:** To make it easier to feed the wires into the bar, wrap some electrical tape around the wires. This will help you hold them together as you insert them into the bar.

- Loosen set screws and washer on top of motor housing. Remove the pins from the bar (if you haven't already). Insert the rosette through the bar.
- Pass the cables through the bar and pull the excess cables from the top of the bar to tighten them.
- Place the bar inside the motor housing and insert the pins you removed earlier. Tighten the set screws and washers.
- Lower the rosette onto the motor housing.

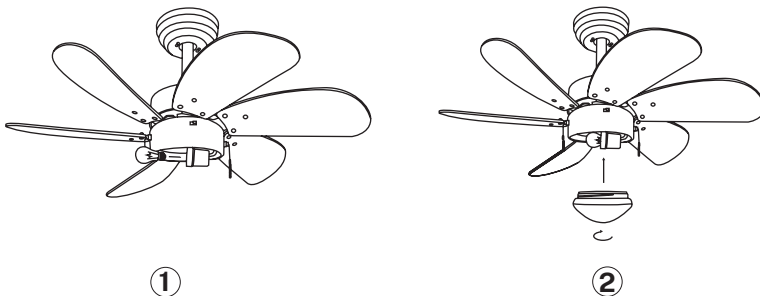
## BLADE ASSEMBLY

Align the holes in the blade bracket with the holes in the blades and motor body and screw them into place, but do not tighten the screws until they are all in place and screwed in.



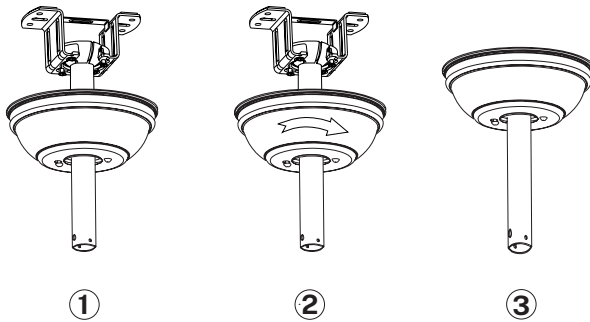
- Check the correct operation of the ceiling fan, checking that there are no strange movements or misalignments in any part of the fan.
- In the event that any type of hum / vibration can be seen, you can proceed to adjust the blades with the anti-roll kit.
- The anti-roll kit has self-adhesive weights and u-shaped clips.
- Turn off the ceiling fan.
- You can put the clip in the center of any blade and check if the vibration decreases.
- Turn on the fan and check. If there are no changes, turn off the fan and add another.

## INSTALLING THE LIGHT KIT



- Install the bulb (not included).
- Attach the lampshade to the motor by inserting the glass neck into the light fixture, keeping two spring clips inside the glass neck. Pull the glass shade towards the third spring clip. Push the third clip to fit inside the glass and push the glass towards the mounter.
- Assemble the decorative keychain and extension chains from the hardware bag to the fan pull chains by inserting the end of the chain into the chain link. Confirm that the chains are secure by pulling lightly on both chains on the coupling.

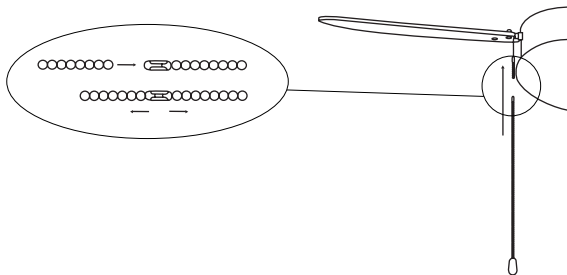
## MOUNTING THE ROSETTE



- Raise the rosette up to the mounting bracket and align the loosened screws in the mounting bracket with the holes in the rosette.
- Rotate the fin to adjust. Reinsert the screws and secure with a screwdriver.
- Once you have the mounting bracket secured to the junction box you can proceed to hang the fan.
- Hold the fan firmly with both hands. Pass the rod through the mounting bracket opening and let the ball rest on the mounting bracket.
- Rotate the ball coupling until it lines up with the tab on the mounting bracket.
- **Tip:** Someone else should help you hold the ladder and hand you the fan after you get on it.

### Chain mounting

Hook the pin at the end of the chain into the slot and pull to tighten. After that, you can turn it on to electricity and enjoy your new fan.



In compliance with Directives: 2012/19/EU and 2015/863/EU on the restriction of the use of dangerous substances in electric and electronic equipment as well as their waste disposal. The symbol with the crossed dustbin shown on the package indicates that the product at the end of its service life shall be collected as separate waste. Therefore, any products that have reached the end of their useful life must be given to waste disposal centres specialising in separate collection of waste electrical and electronic equipment, or given back to the retailer at the time of purchasing new similar equipment, on a one for one basis. The adequate separate collection for the subsequent start-up of the equipment sent to be recycled, treated and disposed of in an environmentally compatible way contributes to preventing possible negative effects on the environment and health and optimises the recycling and reuse of components making up the apparatus. Abusive disposal of the product by the user involves application of the administrative sanctions according to the laws.

Gracias por elegir nuestro ventilador de techo. Antes de utilizar el aparato, y para garantizar el mejor uso, lea atentamente estas instrucciones.

Las precauciones de seguridad incluidas en este documento reducen el riesgo de muerte, lesiones y descargas eléctricas cuando se cumplen correctamente. Guarde el manual en un lugar seguro para futuras consultas, junto con la tarjeta de garantía completa, el recibo de compra y el paquete. Si corresponde, transmita estas instrucciones al próximo propietario del aparato. Siga siempre las precauciones básicas de seguridad y las medidas de prevención de accidentes cuando utilice un aparato eléctrico. No asumimos ninguna responsabilidad por el incumplimiento de estos requisitos por parte del cliente.

---

## INSTRUCCIONES DE SEGURIDAD

---

Al utilizar cualquier aparato eléctrico, siempre se deben observar las precauciones básicas de seguridad.

- Este electrodoméstico no está diseñado para que lo utilicen personas con discapacidades físicas, sensoriales o mentales reducidas o con falta de experiencia y conocimiento, a menos que estén bajo supervisión o hayan recibido instrucciones sobre el uso seguro del electrodoméstico y comprendan los peligros involucrados.
- Los niños no reconocen los peligros que pueden ocurrir al operar un ventilador de techo
- Mantenga a los niños alejados de los ventiladores de techo.
- No exponga el ventilador de techo a la lluvia ni a la humedad. No use el ventilador de techo al aire libre o con las manos mojadas.

---

## REQUISITOS DE UBICACIÓN E INSTALACIÓN

---

### PROBLEMAS MECÁNICOS

- De acuerdo con las normas de seguridad, el punto más bajo de la paleta del ventilador debe estar al menos a 2,3 m (7 pies) del suelo.
- Asegúrese de que la ubicación elegida no permita que las aspas giratorias del ventilador entren en contacto con algún objeto.
- Asegúrese de que las vigas del techo sean sólidas y suficientemente grandes y fuertes para soportar el peso del ventilador.
- Para reducir el riesgo de incendio, descarga eléctrica o lesiones personales, asegúrese de que el soporte de montaje del ventilador esté conectado directamente a la estructura del edificio. NO lo monte en una caja de distribución.
- El soporte de montaje debe atornillarse firmemente a una estructura portante, por ejemplo, un techo de hormigón, una estructura de acero o un marco de madera. Si se agrega un marco de madera, debe clavarse o atornillarse firmemente entre dos vigas.
- Para reducir el riesgo de lesiones personales y daños a la propiedad, no doble ni dañe la varilla ni las aspas del ventilador cuando las manipule o instale.
- Asegúrese de que el ventilador de techo esté bien sujeto al techo. Todos los tornillos de fijación deben revisarse y volverse a apretar cuando sea necesario antes de la operación del ventilador.

## PROBLEMAS ELÉCTRICOS

- Siempre apague la energía antes de reparar el ventilador de techo y apague el disyuntor que alimenta la energía a la luz. Para evitar una posible descarga eléctrica, asegúrese de que la electricidad esté apagada en la caja de fusibles o en el panel del disyuntor antes de realizar el cableado.
- El ventilador, el soporte de montaje y el juego de luces deben estar conectados a la toma tierra. Asegúrese de que todas las conexiones empalmadas estén adecuadamente aisladas.
- Verifique y confirme que todas las conexiones sean correctas y seguras. Cuando todas las conexiones eléctricas estén hechas, guarde todos los cables de manera ordenada.
- No intente controlar este ventilador desde ningún interruptor de pared o control remoto que no esté aprobado por el fabricante para su uso con este ventilador. NO use un controlador de estado sólido. El uso de un interruptor de pared o control remoto no aprobado anulará la garantía.
- No conecte el ventilador de techo a un atenuador o regulador.

---

## PRECAUCIONES Y ADVERTENCIAS

---

- Utilice sólo piezas de repuesto CREATE.
- Para reducir el riesgo de lesiones personales, conecte el ventilador directamente a la estructura de soporte del edificio de acuerdo con estas instrucciones y use solo el hardware suministrado.
- Para evitar una posible descarga eléctrica, antes de instalar su ventilador, desconecte la energía apagando los disyuntores de la caja de salida y el interruptor de pared asociado.
- Todo el cableado debe estar de acuerdo con los códigos eléctricos nacionales y locales y con ANSI / NFPA 70. Si no está familiarizado con el cableado, contacte con un electricista cualificado.
- Para reducir el riesgo de lesiones personales, no doble el sistema de sujeción de las aspas al instalar, equilibrar o limpiar el ventilador. Nunca inserte objetos extraños entre las aspas giratorias del ventilador.
- Para reducir el riesgo de incendio, descarga eléctrica o daños al motor, no utilice un control de velocidad de estado sólido con este ventilador. Use solo controles de velocidad CREATE

**Nota:** Las importantes precauciones e instrucciones de seguridad de este manual no pretenden cubrir todas las posibles condiciones y situaciones que puedan ocurrir. Debe entenderse que el sentido común y la precaución son factores necesarios en la instalación y operación de este ventilador.

---

## LISTA DE PARTES

---



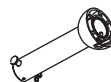
Soporte de montaje



Florón



Enganche de aspas



Tija



Aspas



Tornillos de expansión



Motor



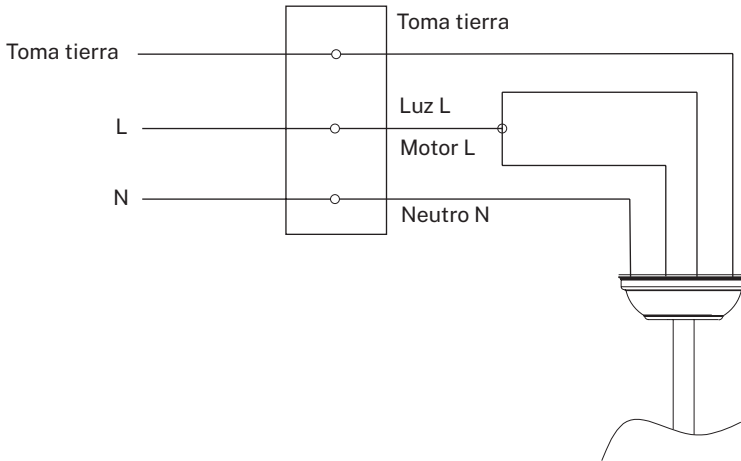
Tulipa



Cadenas

## CONEXIÓN ELÉCTRICA

- Realice la conexión entre los cables de la instalación eléctrica de su hogar y los cables del motor del ventilador siguiendo las siguientes indicaciones.

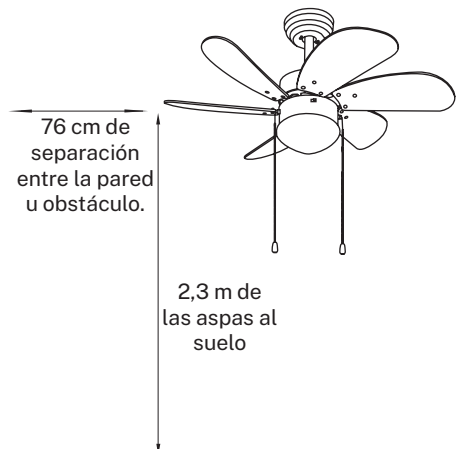


## INSTRUCCIONES DE INSTALACIÓN

- Marcar la posición correcta de los orificios y fijar el soporte de montaje mediante los tornillos con taco metálico o tornillos y arandelas adecuados al tipo de techo elegido.
- Verifique la correcta instalación del soporte antes de colgar el ventilador. Esta placa debe soportar todo el peso del ventilador.

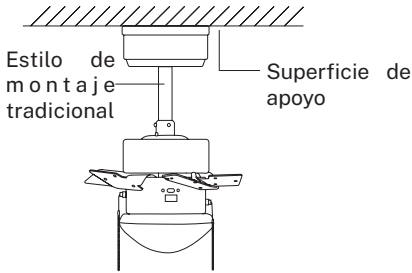
### PREPARACIÓN DE LA INSTALACIÓN

- Para evitar lesiones personales y daños, asegúrese de que el lugar para colgar las aspas deje un espacio libre de 2,3 m del suelo y 76 cm de cualquier pared u obstáculo.
- Asegúrese de que el soporte de montaje esté bien sujeta a la estructura del edificio y pueda soportar todo el peso del ventilador.

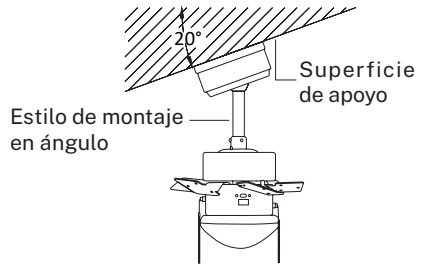


## INSTALACIÓN DE LA TIJA

- Quite el perno de la tija, quitando el pasador y pase el florón (moldura del techo) y la capota del motor a través de la barra de suspensión. Luego, pase los cables del motor del ventilador a través del interior de la barra de suspensión. Apriete la barra de suspensión al motor e inserte el perno y el pasador.



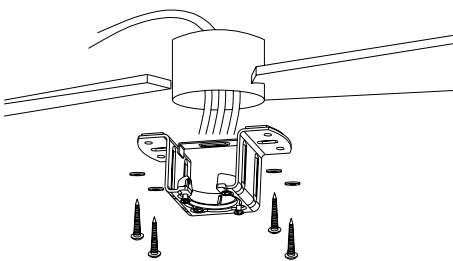
El montaje estándar cuelga del techo mediante una varilla.



Se recomienda el montaje en ángulo para un techo abovedado o en ángulo.

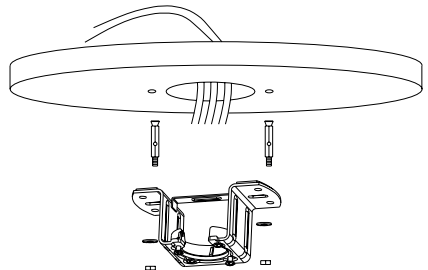
## FIJACIÓN DEL SOPORTE DE MONTAJE

- La caja de salida y la viga deben estar montadas de forma segura y ser capaces de soportar de manera confiable al menos el peso del ventilador.



### Techo de madera

Fije firmemente el soporte de montaje con tornillos para madera y arandelas a las juntas del techo.



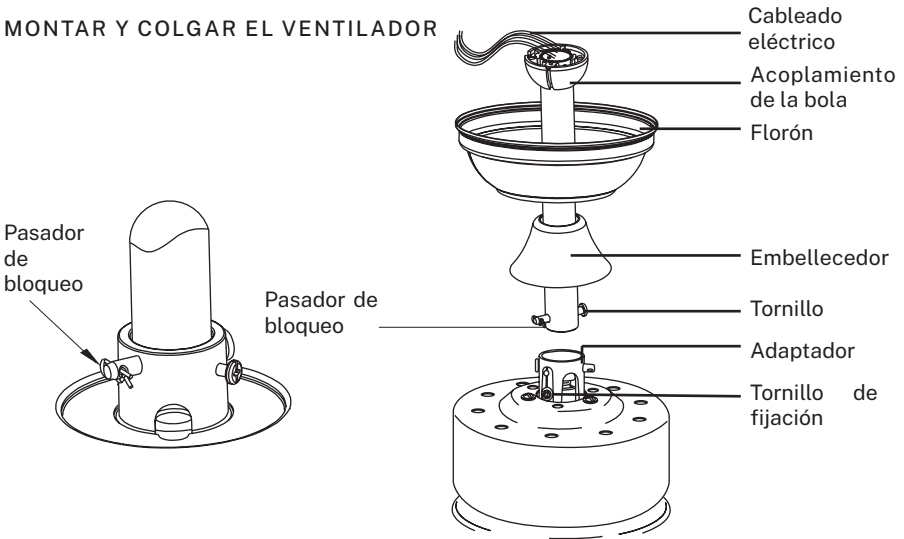
### Techo de hormigón

Realice agujeros con un taladro de 8 mm, según la longitud de los tornillos de expansión. Después, fije el soporte de montaje al techo con los tornillos de expansión.

No fije el soporte de montaje directamente en techos con un grosor inferior a 10 mm para evitar el riesgo de que el tornillo se afloje.



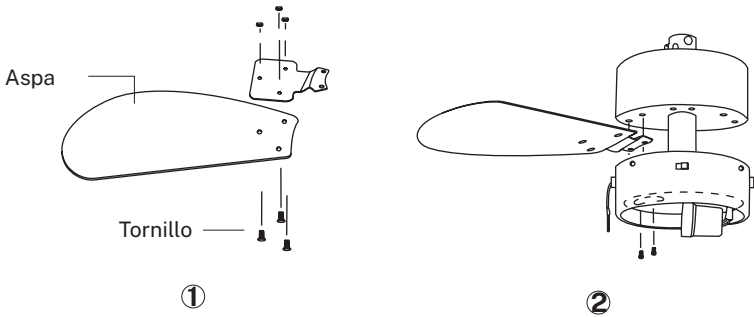
## MONTAR Y COLGAR EL VENTILADOR



- Si desea extender la longitud de suspensión de su ventilador, debe quitar la bola colgante de la varilla que se proporciona para usarla con la varilla de extensión (incluida).  
(Si desea utilizar la varilla descendente, siga las instrucciones a continuación).
  - Para quitar la bola colgante, afloje el tornillo de fijación de la bola colgante y retire el pasador y el perno. Baje la bola colgante y retire el pasador de tope. Deslice la bola colgante fuera de la varilla original y deslícela hacia abajo por la varilla más larga (debe notarse que la parte superior de la varilla tiene un orificio para el tornillo de fijación; utilice este orificio cuando coloque el tornillo de fijación).
  - Inserte el pasador de tope en la parte superior de la varilla extendida y levante la bola colgante.
  - Asegúrese de que el pasador de tope se alinee con las ranuras en el interior de la bola colgante, apriete firmemente el tornillo de fijación.
- Consejo:** Para facilitar la introducción de los cables en la barra, coloque un poco de cinta aislante alrededor de los cables. Esto le ayudará a mantenerlos juntos mientras los inserta en la barra.
- Afloje los tornillos de fijación y la arandela de la parte superior de la carcasa del motor. Retire los pasadores de la barra (si no lo ha hecho aún). Introduzca el florón por la barra.
  - Pase los cables por la barra y tire del sobrante de los cables desde la parte superior de la barra para ajustarlos.
  - Coloque la barra dentro de la carcasa del motor e inserte los pasadores que retiró anteriormente. Ajuste los tornillos de fijación y las arandelas.
  - Baje el florón hacia la carcasa del motor.

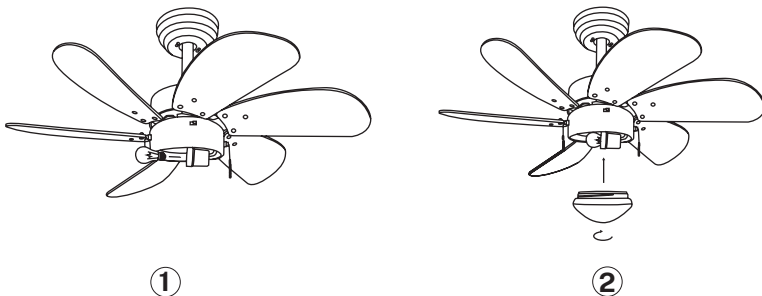
## ENSAMBLAJE DE LAS ASPAS

Alinee los orificios del soporte de las aspas con los orificios de las aspas y del cuerpo del motor y atornillelas en su sitio, pero no apriete los tornillos hasta que estén todas colocadas y atornilladas.



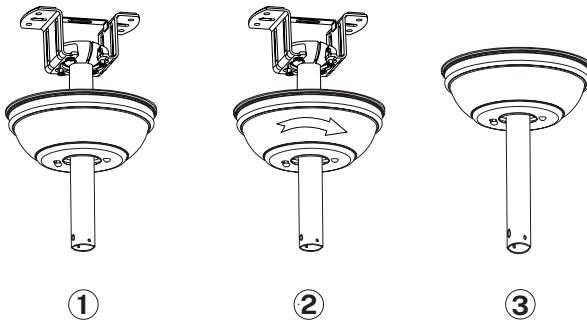
- Compruebe el correcto funcionamiento del ventilador de techo, revisando que no se observen movimientos extraños o desajustes en alguna pieza del ventilador.
- En el caso de que se pueda apreciar algún tipo de zumbido/vibración, puede proceder a ajustar las aspas con el kit antibalanceo.
- El kit antibalanceo dispone de contrapesos autoadhesivos y clips en forma de “u”.
- Apague el ventilador de techo.
- Puede poner el clip en el centro de cualquier aspa y revisar si la vibración disminuye.
- Encienda el ventilador y compruebe. Si no se aprecian cambios, apague el ventilador y añada otro.

## INSTALACIÓN DEL KIT DE LUZ



- Instale la bombilla (no incluida).
- Fije la tulipa al motor insertando el cuello de vidrio en el artefacto de iluminación, manteniendo dos clips de resorte dentro del cuello del vidrio. Tire de la pantalla de vidrio hacia el tercer clip de resorte. Empuje el tercer clip para que encaje dentro del vidrio y empuje el vidrio hacia el montador.
- Ensamble el llavero decorativo y las cadenas de extensión de la bolsa de hardware a las cadenas de tracción del ventilador insertando el extremo de la cadena en el acoplamiento de la cadena. Confirme que las cadenas estén sujetas tirando ligeramente de ambas cadenas en el acoplamiento.

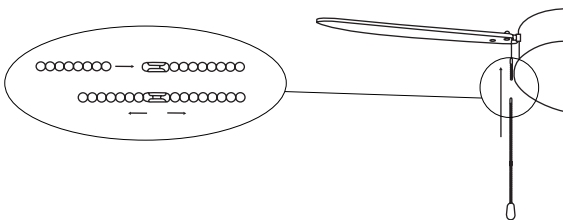
## MONTAJE DEL FLORÓN



- Levante el florón hasta el soporte de montaje y alinee los tornillos aflojados en el soporte de montaje con los orificios del florón.
- Gire el florón para ajustarlo. Reinserte los tornillos y fíjelos con un destornillador.
- Una vez tenga el soporte de montaje asegurado a la caja de conexiones puede proceder a colgar el ventilador.
- Agarre el ventilador con firmeza con ambas manos. Pase la barra por la apertura del soporte de montaje y deje que la bola se apoye en el soporte de montaje.
- Gire el acoplamiento de la bola hasta que se alinee con la pestaña del soporte de montaje.
- **Consejo:** Otra persona debería ayudarle para sostener la escalera de mano y alcanzarle el ventilador una vez se haya subido a esta.

## Montaje de cadenas

Enganche la clavija del extremo de la cadena en la ranura y tire para ajustarlo. Después, ya podrá encenderlo a la electricidad y disfrutar de su nuevo ventilador.



En cumplimiento de las directivas: 2012/19 / UE y 2015/863 / UE sobre la restricción del uso de sustancias peligrosas en equipos eléctricos y electrónicos, así como su eliminación de residuos. El símbolo con el cubo de basura cruzado que se muestra en el paquete indica que el producto al final de su vida útil se recogerá como residuo separado. Por lo tanto, cualquier producto que haya llegado al final de su vida útil debe entregarse a centros de eliminación de residuos especializados en la recogida selectiva de equipos eléctricos y electrónicos de desecho, o devolverse al minorista al momento de comprar equipos nuevos similares, en uno para Una base. La recolección separada adecuada para la posterior puesta en marcha de los equipos enviados para ser reciclados, tratados y eliminados de una manera compatible con el medio ambiente contribuye a prevenir posibles efectos negativos sobre el medio ambiente y la salud y optimiza el reciclaje y la reutilización de los componentes que componen el aparato. La eliminación abusiva del producto por parte del usuario implica la aplicación de las sanciones administrativas de acuerdo con las leyes.



# PORTUGUÊS

---

Obrigado por escolher nosso ventilador de teto. Antes de usar o aparelho, e para garantir o melhor uso, leia atentamente estas instruções.

As precauções de segurança incluídas neste documento reduzem o risco de morte, ferimentos e choque elétrico quando devidamente seguidas. Guarde o manual em local seguro para referência futura, junto com o cartão de garantia completo, recibo de venda e embalagem. Se aplicável, encaminhe estas instruções ao próximo proprietário do aparelho. Sempre siga as precauções básicas de segurança e as medidas de prevenção de acidentes ao usar um aparelho elétrico. Não assumimos qualquer responsabilidade pela violação destes requisitos por parte do cliente.

---

## INSTRUÇÕES DE SEGURANÇA

---

Ao usar qualquer aparelho elétrico, as precauções básicas de segurança devem sempre ser observadas.

- Este aparelho não foi projetado para ser usado por pessoas com deficiência física, sensorial ou mental reduzida ou com falta de experiência e conhecimento, a menos que estejam sob supervisão ou tenham sido instruídas no uso seguro do aparelho e compreendam os perigos envolvidos.
- As crianças não reconhecem os perigos que podem ocorrer ao operar um ventilador de teto
- Mantenha as crianças longe dos ventiladores de teto.
- Não exponha o ventilador de teto à chuva ou umidade. Não use o ventilador de teto ao ar livre ou com as mãos molhadas.

---

## REQUISITOS DE LOCALIZAÇÃO E INSTALAÇÃO

---

### PROBLEMAS MECÂNICOS

- De acordo com os regulamentos de segurança, o ponto mais baixo da pá do ventilador deve estar pelo menos 2,3 m (7 pés) acima do solo.
- Certifique-se de que o local escolhido não permite que as pás rotativas do ventilador entrem em contato com nada.
- Certifique-se de que as vigas do teto sejam sólidas, grandes e fortes o suficiente para suportar o peso do ventilador.
- Para reduzir o risco de incêndio, choque elétrico ou ferimentos pessoais, certifique-se de que o suporte de montagem do ventilador esteja conectado diretamente à estrutura do edifício. NÃO monte em uma caixa de distribuição.
- O suporte de montagem deve ser firmemente aparafusado a uma estrutura de suporte, por exemplo, um teto de concreto, uma estrutura de aço ou uma moldura de madeira. Se uma moldura de madeira for adicionada, ela deve ser firmemente pregada ou aparafusada entre duas vigas.
- Para reduzir o risco de ferimentos pessoais e danos materiais, não dobre ou danifique a haste ou as pás do ventilador ao manuseá-los ou instalá-los.
- Certifique-se de que o ventilador de teto esteja firmemente conectado ao teto. Todos os parafusos de fixação devem ser verificados e reapertados conforme necessário antes da operação do ventilador.

## PROBLEMAS ELÉTRICOS

- Sempre desligue a energia antes de consertar o ventilador de teto e desligue o disjuntor que alimenta a luz. Para evitar possível choque elétrico, certifique-se de que a eletricidade esteja desligada na caixa de fusíveis ou no painel do disjuntor antes de conectar a fiação.
- O ventilador, o suporte de montagem e o kit de luz devem ser aterrados. Certifique-se de que todas as conexões emendadas estejam adequadamente isoladas.
- Verifique e confirme se todas as conexões estão corretas e seguras. Quando todas as conexões elétricas forem feitas, armazene todos os cabos de maneira ordenada.
- Não tente controlar este ventilador de qualquer interruptor de parede ou controle remoto que não seja aprovado pelo fabricante para uso com este ventilador. NÃO use um controlador de estado sólido. O uso de um controle remoto ou interruptor de parede não aprovado anulará a garantia.
- Não conecte o ventilador de teto a um dimmer ou dimmer.

---

## CUIDADOS E ADVERTÊNCIAS

---

- Use apenas peças de reposição CREATE.
- Para reduzir o risco de acidentes pessoais, conecte o ventilador diretamente à estrutura de suporte do prédio de acordo com estas instruções e use apenas o hardware fornecido.
- Para evitar possível choque elétrico, antes de instalar o ventilador, desconecte a alimentação desligando os disjuntores na caixa de tomadas e o interruptor de parede associado.
- Toda a fiação deve estar de acordo com os códigos elétricos nacionais e locais e ANSI / NFPA 70. Se você não estiver familiarizado com a fiação, entre em contato com um electricista qualificado.
- Para reduzir o risco de ferimentos pessoais, não dobre o sistema de fixação da lâmina ao instalar, equilibrar ou limpar o ventilador. Nunca insira objetos estranhos entre as pás rotativas do ventilador.
- Para reduzir o risco de incêndio, choque elétrico ou danos ao motor, não use um controle de velocidade de estado sólido com este ventilador. Use apenas controles de velocidade CREATE

**Observação:** As importantes precauções de segurança e instruções neste manual não se destinam a cobrir todas as condições e situações possíveis que podem ocorrer. Deve ser entendido que bom senso e cautela são fatores necessários na instalação e operação deste ventilador.

---

## LISTA DE PEÇAS

---



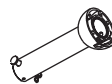
Suporte de montagem



Floron



Engate de lâmina



Shank



Lâminas



Parafusos de expansão



Motor



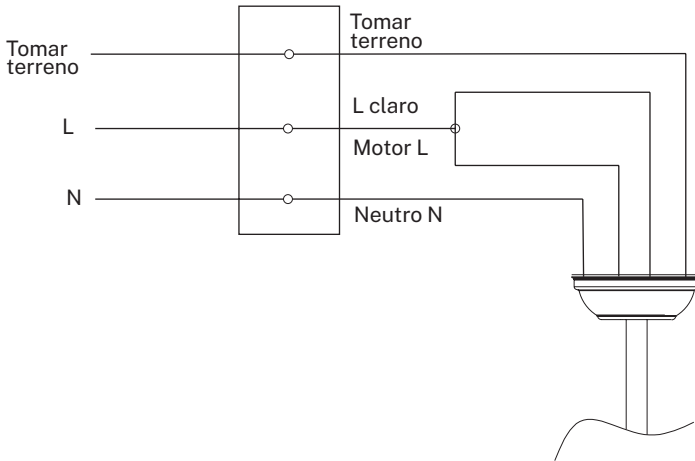
Tulipa



Correntes

## CONEXÃO ELÉTRICA

- Faça a ligação entre os cabos da instalação elétrica da sua casa e os cabos do motor da ventoinha seguindo as instruções abaixo.

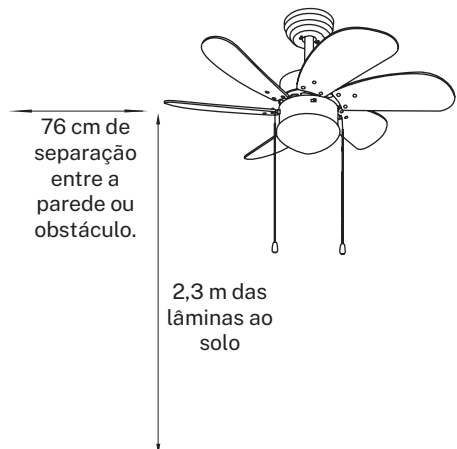


## INSTRUÇÕES DE INSTALAÇÃO

- Marque a posição correta dos furos e fixe o suporte de montagem utilizando os parafusos com buchas metálicas ou parafusos e arruelas adequados para o tipo de teto escolhido.
- Verifique a instalação correta do suporte antes de pendurar o ventilador. Esta placa deve suportar todo o peso do ventilador.

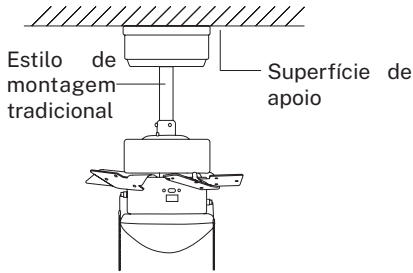
### PREPARAÇÃO DE INSTALAÇÃO

- Para evitar ferimentos e danos, certifique-se de que o local para pendurar as lâminas deixa uma distância de 2,3 m do solo e 76 cm de quaisquer paredes ou obstáculos.
- Certifique-se de que o suporte de montagem esteja firmemente preso à estrutura do prédio e possa suportar todo o peso do ventilador.

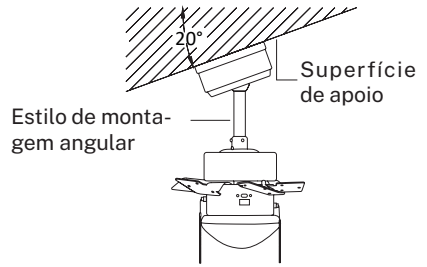


## PÓS-INSTALAÇÃO

- Remova o parafuso do espigão do selim removendo o pino e passe o remate (moldura da coroa) e o capô pela barra de suspensão. Em seguida, direcione os fios do motor do ventilador pelo interior da barra suspensa. Aperte a barra de suspensão no motor e insira o parafuso e o pino.



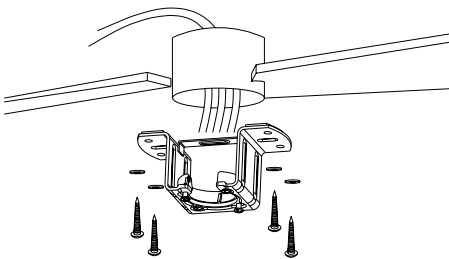
A montagem padrão é suspensa no teto por meio de uma haste.



A montagem em ângulo é recomendada para um teto abobadado ou inclinado.

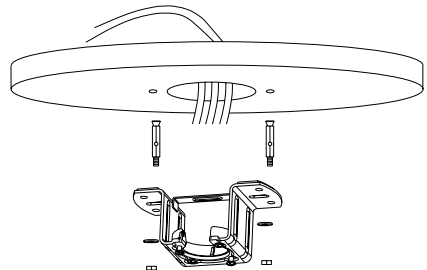
## FIXANDO O SUPORTE DE MONTAGEM

- A caixa de saída e a viga devem ser montadas com segurança e capazes de suportar de forma confiável pelo menos o peso do ventilador.



### Telhado de madeira

Prenda firmemente o suporte de montagem com parafusos de madeira e arruelas nas juntas do teto.

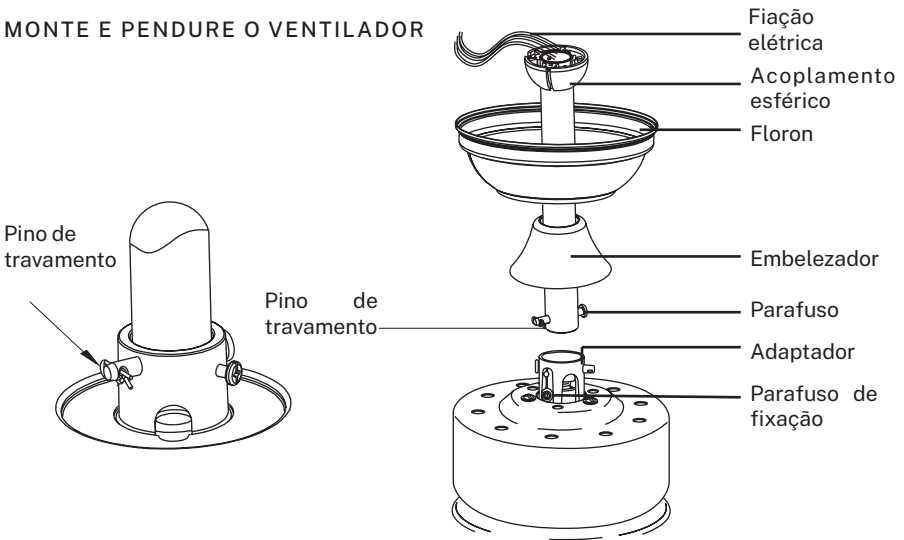


### Teto de concreto

Faça furos com uma broca de 8 mm, dependendo do comprimento dos parafusos de expansão. Em seguida, prenda o suporte de montagem ao teto com os parafusos de expansão.

Não fixe o suporte de montagem diretamente em tetos com menos de 10 mm de espessura para evitar o risco de afrouxamento do parafuso.

## MONTE E PENDURE O VENTILADOR

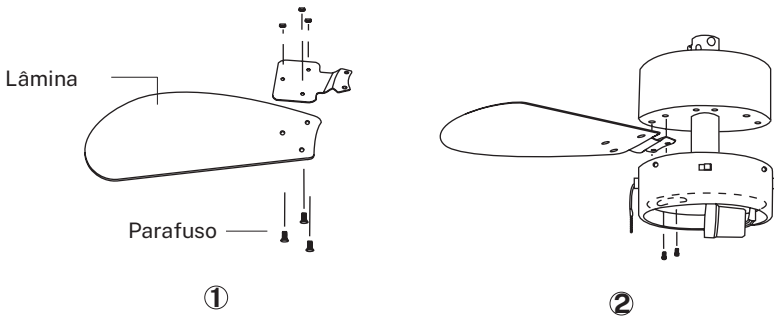


- Se você deseja estender o comprimento da suspensão do seu ventilador, você deve remover a esfera suspensa da haste fornecida para usá-la com a haste de extensão (incluída).  
(Se você quiser usar o downrod, siga as instruções abaixo.)
  - Para remover a esfera suspensa, afrouxe o parafuso de fixação da esfera suspensa e remova o pino e o parafuso. Abaixar a esfera suspensa e remova o pino de bloqueio. Deslize a bola suspensa para fora da haste original e deslize-a para baixo pela haste mais longa (deve-se observar que a parte superior da haste tem um orifício para o parafuso de fixação, use este orifício ao inserir o parafuso de fixação).
  - Insira o pino de bloqueio na parte superior da haste estendida e levante a bola suspensa.
  - Certifique-se de que o pino de bloqueio esteja alinhado com as ranhuras no interior da esfera suspensa e aperte firmemente o parafuso de fixação.
- gorjeta:** Para facilitar a alimentação dos fios na barra, enrole um pouco de fita isolante em volta dos fios. Isso ajudará você a mantê-los juntos enquanto os insere na barra.
- Afrouxe os parafusos de ajuste e a arruela na parte superior da carcaça do motor. Remova os pinos da barra (se ainda não o fez). Insira a roseta através da barra.
  - Passe os cabos pela barra e puxe os cabos excedentes da parte superior da barra para apertá-los.
  - Coloque a barra dentro da carcaça do motor e insira os pinos que você removeu anteriormente. Aperte os parafusos de ajuste e as arruelas.
  - Abaixar a aleta na carcaça do motor.



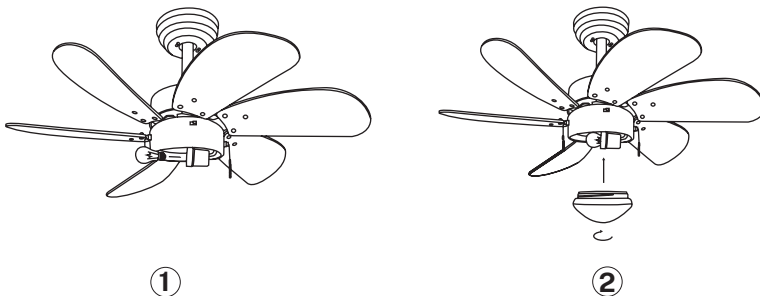
## CONJUNTO DE LÂMINA

Alinhe os orifícios no suporte da lâmina com os orifícios nas lâminas e no corpo do motor e aparafuse-os, mas não aperte os parafusos até que estejam todos no lugar e aparafusados.



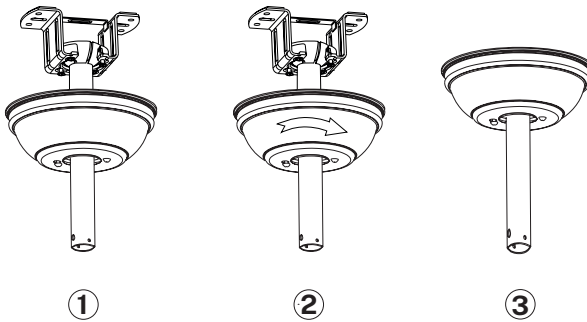
- Verifique o correto funcionamento do ventilador de teto, verificando se não há movimentos estranhos ou desalinhamentos em qualquer parte do ventilador.
- Caso seja detectado algum tipo de zumbido / vibração, proceda ao ajuste das lâminas com o kit anti-roll.
- O kit anti-roll tem pesos autoadesivos e cliques em forma de u.
- Desligue o ventilador de teto.
- Você pode colocar o clipe no centro de qualquer lâmina e verificar se a vibração diminui.
- Ligue o ventilador e verifique. Se não houver alterações, desligue o ventilador e adicione outro.

## INSTALANDO O KIT DE LUZ



- Instale a lâmpada (não incluída).
- Prenda o abajur ao motor inserindo o braço de vidro na luminária, mantendo dois cliques de mola dentro do braço de vidro. Puxe a cortina de vidro em direção ao terceiro clipe de mola. Empurre o terceiro clipe para caber dentro do vidro e empurre o vidro em direção ao suporte.
- Monte o chaveiro decorativo e as correntes de extensão da bolsa de ferragens nas correntes de puxar do ventilador inserindo a extremidade da corrente no elo da corrente. Confirme se as correntes estão seguras puxando levemente ambas as correntes no acoplamento.

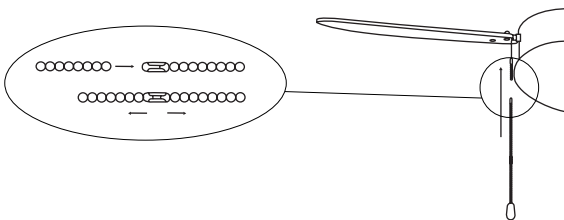
## MONTAGEM DA ROSETA



- Levante a roseta até o suporte de montagem e alinhe os parafusos afrouxados no suporte de montagem com os orifícios na roseta.
- Gire a barbatana para ajustar. Reinsira os parafusos e prenda com uma chave de fenda.
- Depois de ter o suporte de montagem preso à caixa de junção, você pode continuar a pendurar o ventilador.
- Segure o ventilador firmemente com as duas mãos. Passe a haste pela abertura do suporte de montagem e deixe a esfera descansar no suporte de montagem.
- Gire o acoplamento esférico até que se alinhe com a guia no suporte de montagem.
- **gorjeta:** Outra pessoa deve ajudá-lo a segurar a escada e lhe entregar o leque depois que você subir nele.

## Montagem de corrente

Prenda o pino na extremidade da corrente na ranhura e puxe para apertar. Depois disso, você pode ligá-lo à eletricidade e desfrutar de seu novo ventilador.



Em conformidade com as diretrizes: 2012/19 / UE e 2015/863 / UE sobre a restrição do uso de substâncias perigosas em equipamentos elétricos e eletrônicos, bem como a eliminação de resíduos. O símbolo com o caixote do lixo cruzado mostrado na embalagem indica que o produto ao final de sua vida útil será coletado como lixo separado. Portanto, qualquer produto que tenha atingido o fim de sua vida útil deve ser entregue a centros especializados de eliminação de resíduos para coleta seletiva de equipamentos elétricos e eletrônicos, ou devolvido ao varejista ao comprar equipamentos novos similares, em um para uma base. A coleta seletiva apropriada para o comissionamento subsequente do equipamento enviado para reciclagem, tratamento e descarte de maneira ecológica ajuda a evitar possíveis efeitos negativos no meio ambiente e na saúde e otimiza a reciclagem e reutilização de os componentes que compõem o dispositivo. . A eliminação abusiva do produto pelo usuário implica a aplicação de sanções administrativas de acordo com as leis.



Merci d'avoir choisi notre ventilateur de plafond. Avant d'utiliser l'appareil, et pour garantir une utilisation optimale, veuillez lire attentivement ces instructions.

Les précautions de sécurité incluses dans ce document réduisent le risque de mort, de blessure et de choc électrique lorsqu'elles sont correctement suivies. Conservez le manuel dans un endroit sûr pour référence future, ainsi que la carte de garantie complète, le reçu de vente et l'emballage. Le cas échéant, veuillez transmettre ces instructions au prochain propriétaire de l'appareil. Suivez toujours les précautions de sécurité de base et les mesures de prévention des accidents lors de l'utilisation d'un appareil électrique. Nous n'assumons aucune responsabilité pour le non-respect de ces exigences par le client.

---

## CONSIGNES DE SÉCURITÉ

---

Lors de l'utilisation de tout appareil électrique, des précautions de sécurité de base doivent toujours être observées.

- Cet appareil n'est pas conçu pour être utilisé par des personnes ayant des handicaps physiques, sensoriels ou mentaux réduits ou un manque d'expérience et de connaissances, à moins qu'elles ne soient sous surveillance ou qu'elles aient été instruites sur l'utilisation sûre de l'appareil et comprennent les dangers encourus.
- Les enfants ne reconnaissent pas les dangers qui peuvent survenir lors de l'utilisation d'un ventilateur de plafond
- Éloignez les enfants des ventilateurs de plafond.
- N'exposez pas le ventilateur de plafond à la pluie ou à l'humidité. N'utilisez pas le ventilateur de plafond à l'extérieur ou avec les mains mouillées.

---

## CONDITIONS D'EMPLACEMENT ET D'INSTALLATION

---

### PROBLÈMES MÉCANIQUES

- Selon les règles de sécurité, le point le plus bas de la pale du ventilateur doit être à au moins 2,3 m (7 pi) au-dessus du sol.
- Assurez-vous que l'emplacement choisi ne permet pas aux pales du ventilateur en rotation d'entrer en contact avec quoi que ce soit.
- Assurez-vous que les solives du plafond sont solides et larges et suffisamment solides pour supporter le poids du ventilateur.
- Pour réduire le risque d'incendie, de choc électrique ou de blessure, assurez-vous que le support de montage du ventilateur est connecté directement à la structure du bâtiment. NE PAS le monter dans une boîte de distribution.
- Le support de montage doit être solidement boulonné à une structure de support, par exemple un plafond en béton, une structure en acier ou un cadre en bois. Si un cadre en bois est ajouté, il doit être solidement cloué ou vissé entre deux chevrons.
- Pour réduire le risque de blessures et de dommages matériels, ne pliez pas et n'endommagez pas la tige ou les pales du ventilateur lors de leur manipulation ou de leur installation.
- Assurez-vous que le ventilateur de plafond est solidement fixé au plafond. Toutes les vis de réglage doivent être vérifiées et resserrées si nécessaire avant le fonctionnement du ventilateur.

## PROBLÈMES ÉLECTRIQUES

- Coupez toujours le courant avant de réparer le ventilateur de plafond et coupez le disjoncteur qui alimente la lumière. Pour éviter tout risque de choc électrique, assurez-vous que l'électricité est coupée au niveau de la boîte à fusibles ou du panneau de disjoncteurs avant de procéder au câblage.
- Le ventilateur, le support de montage et le kit d'éclairage doivent être mis à la terre. Assurez-vous que toutes les connexions épissées sont correctement isolées.
- Vérifiez et confirmez que toutes les connexions sont correctes et sécurisées. Lorsque toutes les connexions électriques sont effectuées, rangez tous les câbles de manière ordonnée.
- N'essayez pas de contrôler ce ventilateur à partir d'un interrupteur mural ou d'une télécommande qui n'est pas approuvé par le fabricant pour une utilisation avec ce ventilateur. N'utilisez PAS de contrôleur à semi-conducteurs. L'utilisation d'une télécommande ou d'un interrupteur mural non approuvé annulera la garantie.
- Ne connectez pas le ventilateur de plafond à un gradateur ou à un gradateur.

## PRÉCAUTIONS ET AVERTISSEMENTS

- Utilisez uniquement des pièces de rechange CREATE.
- Pour réduire le risque de blessures, connectez le ventilateur directement à la structure de support du bâtiment conformément à ces instructions et utilisez uniquement le matériel fourni.
- Pour éviter tout choc électrique, avant d'installer votre ventilateur, débranchez l'alimentation en éteignant les disjoncteurs de la boîte de sortie et l'interrupteur mural associé.
- Tout le câblage doit être conforme aux codes électriques nationaux et locaux et ANSI / NFPA 70. Si vous n'êtes pas familier avec le câblage, contactez un électricien qualifié.
- Pour réduire le risque de blessures corporelles, ne pliez pas le système de serrage des pales lors de l'installation, de l'équilibrage ou du nettoyage du ventilateur. N'insérez jamais d'objets étrangers entre les pales du ventilateur en rotation.
- Pour réduire le risque d'incendie, de choc électrique ou de dommages au moteur, n'utilisez pas de commande de vitesse à semi-conducteurs avec ce ventilateur. Utilisez uniquement les commandes de vitesse CREATE

**Note:** Les précautions de sécurité importantes et les instructions contenues dans ce manuel ne sont pas destinées à couvrir toutes les conditions et situations possibles qui peuvent se produire. Il faut comprendre que le bon sens et la prudence sont des facteurs nécessaires dans l'installation et le fonctionnement de ce ventilateur.

## LISTE DES PIÈCES



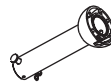
Support de montage



Floron



Attelage de lame



Jarret



Lames



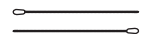
Boulons d'expansion



Moteur



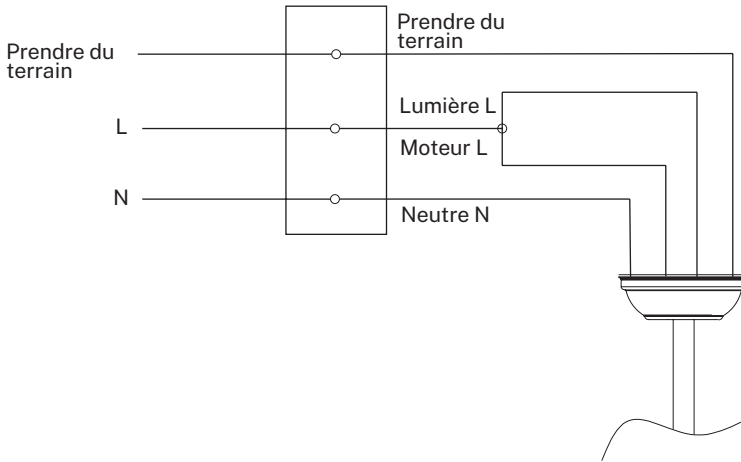
Tulipa



Chaînes

## BRANCHEMENT ELECTRIQUE

- Faites le raccordement entre les câbles de l'installation électrique de votre logement et les câbles du moteur du ventilateur en suivant les instructions ci-dessous.

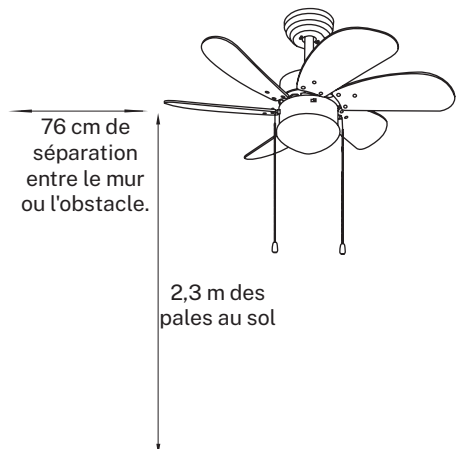


## INSTRUCTIONS D'INSTALLATION

- Marquez la position correcte des trous et fixez le support de montage à l'aide des vis avec chevilles métalliques ou vis et rondelles adaptées au type de plafond choisi.
- Vérifiez la bonne installation du support avant de suspendre le ventilateur. Cette plaque doit supporter tout le poids du ventilateur.

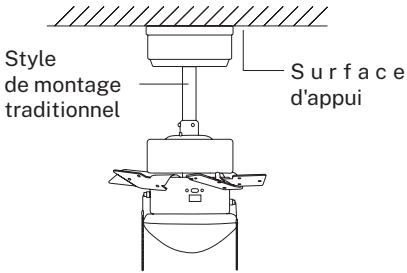
### PRÉPARATION DE L'INSTALLATION

- Pour éviter les blessures et les dommages, assurez-vous que l'endroit pour accrocher les lames laisse un espace libre de 2,3 m du sol et de 76 cm de tout mur ou obstacle.
- Assurez-vous que le support de montage est solidement fixé à la structure du bâtiment et peut supporter tout le poids du ventilateur.

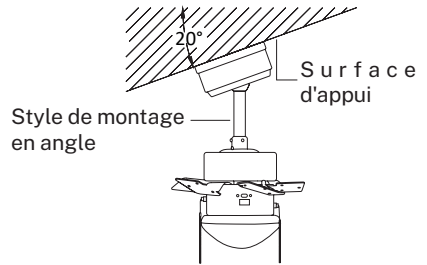


## POST-INSTALLATION

- Retirez le boulon de la tige de selle en retirant la goupille et passez le fleuron (moulure de couronne) et le capot à travers la barre de suspension. Ensuite, acheminez les fils du moteur du ventilateur à travers l'intérieur de la barre de suspension. Serrez la barre de suspension au moteur et insérez le boulon et la goupille.



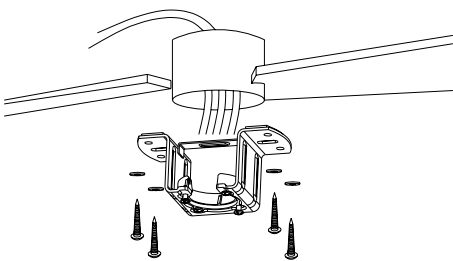
Le support standard est suspendu au plafond à l'aide d'une tige.



Le montage en angle est recommandé pour un plafond voûté ou en angle.

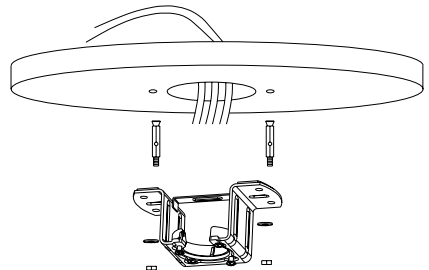
## FIXATION DU SUPPORT DE MONTAGE

- La boîte de sortie et la poutre doivent être solidement fixées et capables de supporter de manière fiable au moins le poids du ventilateur.



### Toit en bois

Fixez solidement le support de montage avec des vis à bois et des rondelles aux joints du plafond.

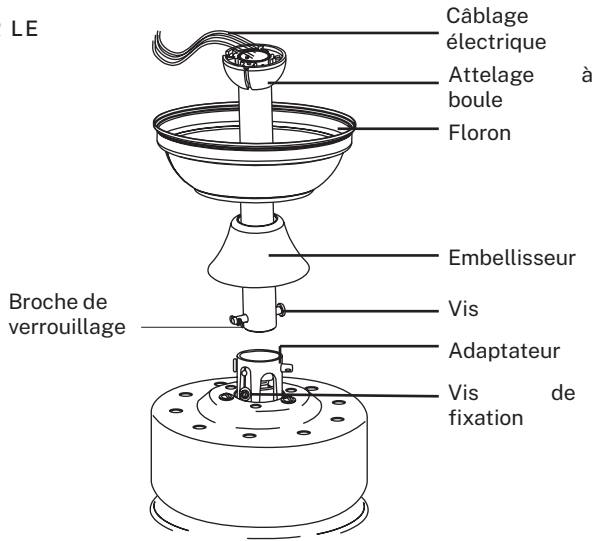
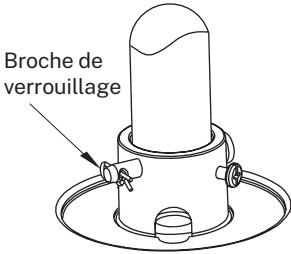


### Plafond en béton

Percez des trous avec un foret de 8 mm, en fonction de la longueur des vis d'expansion. Ensuite, fixez le support de montage au plafond avec les vis d'expansion.

Ne pas fixer le support de fixation directement sur des plafonds de moins de 10 mm d'épaisseur pour éviter le risque de desserrage de la vis.

## MONTER ET ACCROCHER LE VENTILATEUR



- Si vous souhaitez allonger la longueur de suspension de votre ventilateur, vous devez retirer la boule de suspension de la tige fournie pour l'utiliser avec la tige d'extension (incluse).

(Si vous souhaitez utiliser la tige de suspension, suivez les instructions ci-dessous.)

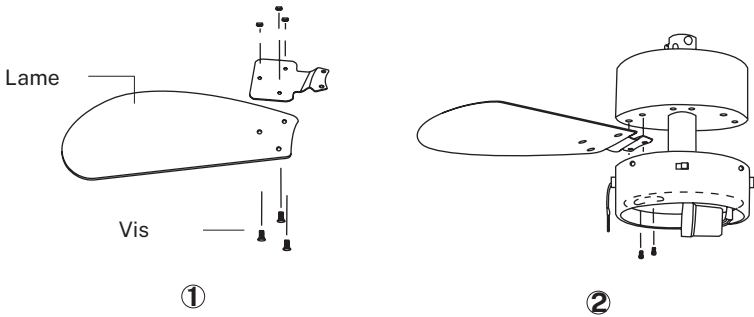
- Pour retirer la boule suspendue, desserrez la vis de réglage de la boule suspendue et retirez la goupille et le boulon. Abaissez la boule suspendue et retirez la goupille de butée. Faites glisser la boule de suspension hors de la tige d'origine et faites-la glisser le long de la tige la plus longue (il convient de noter que le haut de la tige a un trou pour la vis de réglage, utilisez ce trou lors de l'insertion de la vis de réglage).
- Insérez la goupille d'arrêt dans le haut de la tige étendue et soulevez la boule suspendue.
- Assurez-vous que la goupille de butée s'aligne avec les fentes à l'intérieur de la boule de suspension, serrez fermement la vis de réglage.

**Conseil:** Pour faciliter l'alimentation des fils dans la barre, enroulez du ruban isolant autour des fils. Cela vous aidera à les maintenir ensemble pendant que vous les insérez dans la barre.

- Desserrez les vis de réglage et la rondelle sur le dessus du boîtier du moteur. Retirez les épingles de la barre (si vous ne l'avez pas déjà fait). Insérez la rosette à travers la barre.
- Faites passer les câbles à travers la barre et tirez les câbles en excès du haut de la barre pour les serrer.
- Placez la barre à l'intérieur du boîtier du moteur et insérez les broches que vous avez retirées précédemment. Serrez les vis de réglage et les rondelles.
- Abaissez l'ailette dans le boîtier du moteur.

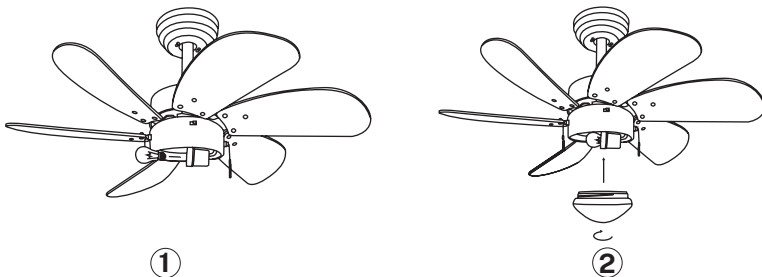
## ASSEMBLAGE DE LA LAME

Alignez les trous du support de lame avec les trous des lames et du corps du moteur et vissez-les en place, mais ne serrez pas les vis tant qu'elles ne sont pas toutes en place et vissées.



- Vérifiez le bon fonctionnement du ventilateur de plafond, en vérifiant qu'il n'y a pas de mouvements étranges ou de désalignements dans aucune partie du ventilateur.
- Dans le cas où un quelconque type de bourdonnement / vibration est visible, vous pouvez procéder au réglage des lames avec le kit anti-roulis.
- Le kit anti-roulis a des poids auto-adhésifs et des clips en forme de U.
- Éteignez le ventilateur de plafond.
- Vous pouvez placer le clip au centre de n'importe quelle lame et vérifier si la vibration diminue.
- Allumez le ventilateur et vérifiez. S'il n'y a aucun changement, éteignez le ventilateur et ajoutez-en un autre.

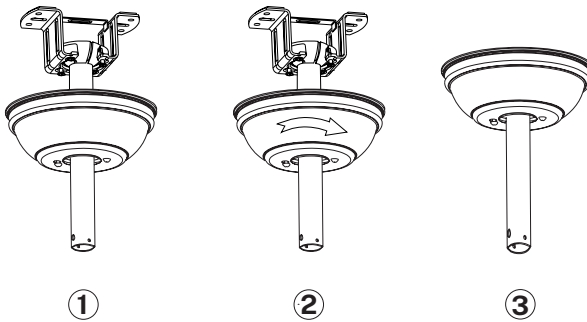
## INSTALLATION DU KIT D'ÉCLAIRAGE



- Installez l'ampoule (non incluse).
- Fixez l'abat-jour au moteur en insérant le col en verre dans le luminaire, en gardant deux pinces à ressort à l'intérieur du col en verre. Tirez l'abat-jour en verre vers le troisième clip à ressort. Poussez le troisième clip pour qu'il s'adapte à l'intérieur du verre et poussez le verre vers le moteur.
- Assemblez le porte-clés décoratif et les chaînes d'extension du sac de quincaillerie aux chaînes de traction du ventilateur en insérant l'extrémité de la chaîne dans le maillon de la chaîne. Confirmez que les chaînes sont sécurisées en tirant légèrement sur les deux chaînes de l'accouplement.



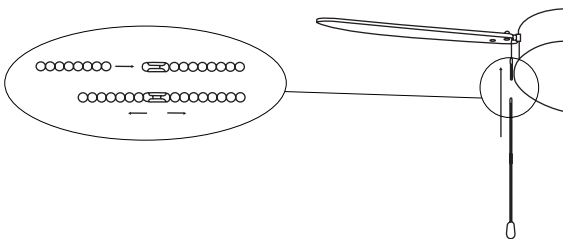
## MONTAGE DE LA ROSACE



- Soulevez la rosace jusqu'au support de montage et alignez les vis desserrées du support de montage avec les trous de la rosace.
- Tournez l'ailette pour ajuster. Réinsérez les vis et fixez avec un tournevis.
- Une fois que vous avez fixé le support de montage à la boîte de jonction, vous pouvez accrocher le ventilateur.
- Tenez fermement le ventilateur à deux mains. Passez la tige à travers l'ouverture du support de montage et laissez la bille reposer sur le support de montage.
- Faites tourner la boule d'attelage jusqu'à ce qu'elle s'aligne avec la languette du support de montage.
- **Conseil:** Quelqu'un d'autre devrait vous aider à tenir l'échelle et vous remettre le ventilateur une fois que vous êtes monté dessus.

### Montage sur chaîne

Accrochez la goupille au bout de la chaîne dans la fente et tirez pour serrer. Après cela, vous pouvez l'allumer à l'électricité et profiter de votre nouveau ventilateur.



Conformément aux directives: 2012/19 / UE et 2015/863 / UE sur la limitation de l'utilisation de substances dangereuses dans les équipements électriques et électroniques, ainsi que leur élimination des déchets. Le symbole avec la poubelle croisée indiqué sur l'emballage indique que le produit à la fin de sa durée de vie sera collecté en tant que déchet séparé. Par conséquent, tout produit ayant atteint la fin de sa durée de vie doit être livré dans des centres d'élimination des déchets spécialisés pour la collecte sélective des déchets d'équipements électriques et électroniques, ou retourné au détaillant lors de l'achat de nouveaux équipements similaires, en un seul pour une base. Une collecte séparée appropriée pour la mise en service ultérieure des équipements expédiés pour être recyclés, traités et éliminés d'une manière respectueuse de l'environnement aide à prévenir les effets négatifs potentiels sur l'environnement et la santé et optimise le recyclage et la réutilisation des les composants qui composent l'appareil. L'élimination abusive du produit par l'utilisateur implique l'application de sanctions administratives conformément aux lois.



Grazie per aver scelto il nostro ventilatore da soffitto. Prima di utilizzare l'apparecchio, e per garantire il miglior utilizzo, leggere attentamente queste istruzioni.

Le precauzioni di sicurezza incluse in questo documento riducono il rischio di morte, lesioni e scosse elettriche se seguite correttamente. Conservare il manuale in un luogo sicuro per riferimento futuro, insieme alla scheda di garanzia completa, alla ricevuta di vendita e alla confezione. Se applicabile, inoltrare queste istruzioni al successivo proprietario dell'apparecchio. Seguire sempre le precauzioni di sicurezza di base e le misure di prevenzione degli incidenti quando si utilizza un apparecchio elettrico. Non ci assumiamo alcuna responsabilità per la violazione di questi requisiti da parte del cliente.

---

## ISTRUZIONI DI SICUREZZA

---

Quando si utilizza qualsiasi apparecchio elettrico, è necessario osservare sempre le precauzioni di sicurezza di base.

- Questo apparecchio non è progettato per l'uso da parte di persone con ridotte disabilità fisiche, sensoriali o mentali o prive di esperienza e conoscenza, a meno che non siano sotto supervisione o siano state istruite sull'uso sicuro dell'apparecchio e comprendano i pericoli coinvolti.
- I bambini non riconoscono i pericoli che possono verificarsi quando si utilizza un ventilatore da soffitto
- Tenere i bambini lontani dai ventilatori a soffitto.
- Non esporre il ventilatore da soffitto a pioggia o umidità. Non utilizzare il ventilatore da soffitto all'aperto o con le mani bagnate.

---

## UBICAZIONE E REQUISITI DI INSTALLAZIONE

---

### PROBLEMI MECCANICI

- Secondo le norme di sicurezza, il punto più basso della pala del ventilatore deve trovarsi ad almeno 2,3 m (7 piedi) dal suolo.
- Assicurarsi che la posizione scelta non permetta alle pale rotanti della ventola di entrare in contatto con nulla.
- Assicurarsi che i travetti del soffitto siano solidi, grandi e abbastanza resistenti da sostenere il peso del ventilatore.
- Per ridurre il rischio di incendi, scosse elettriche o lesioni personali, assicurarsi che la staffa di montaggio della ventola sia collegata direttamente alla struttura dell'edificio. **NON** montarlo in una scatola di distribuzione.
- La staffa di montaggio deve essere saldamente imbullonata a una struttura di supporto, ad esempio un soffitto in cemento, una struttura in acciaio o un telaio in legno. Se viene aggiunta una cornice di legno, deve essere saldamente inchiodata o avvitata tra due travi.
- Per ridurre il rischio di lesioni personali e danni alla proprietà, non piegare o danneggiare l'asta o le pale della ventola durante la manipolazione o l'installazione.
- Assicurarsi che il ventilatore da soffitto sia fissato saldamente al soffitto. Tutte le viti di fermo devono essere controllate e serrate se necessario prima del funzionamento della ventola.

## PROBLEMI ELETTRICI

- Spegnere sempre l'alimentazione prima di riparare il ventilatore da soffitto e spegnere l'interruttore di circuito che alimenta la luce. Per evitare possibili scosse elettriche, assicurarsi che l'elettricità sia disattivata dalla scatola dei fusibili o dal pannello dell'interruttore prima del cablaggio.
- La ventola, la staffa di montaggio e il kit luci devono essere messi a terra. Assicurarsi che tutte le connessioni impiombate siano adeguatamente isolate.
- Controllare e confermare che tutte le connessioni siano corrette e sicure. Una volta effettuati tutti i collegamenti elettrici, conservare tutti i cavi in modo ordinato.
- Non tentare di controllare questa ventola da qualsiasi interruttore a parete o telecomando che non sia approvato dal produttore per l'uso con questa ventola. NON utilizzare un controller a stato solido. L'uso di un telecomando o di un interruttore a parete non approvato invaliderà la garanzia.
- Non collegare il ventilatore da soffitto a un dimmer o dimmer.

---

## PRECAUZIONI E AVVERTENZE

---

- Utilizzare solo pezzi di ricambio CREATE.
- Per ridurre il rischio di lesioni personali, collegare il ventilatore direttamente alla struttura di supporto dell'edificio secondo queste istruzioni e utilizzare solo l'hardware in dotazione.
- Per evitare possibili scosse elettriche, prima di installare il ventilatore, scollegare l'alimentazione spegnendo gli interruttori automatici nella scatola delle prese e l'interruttore a parete associato.
- Tutti i cablaggi devono essere conformi ai codici elettrici nazionali e locali e ANSI/NFPA 70. Se non si ha familiarità con il cablaggio, contattare un elettricista qualificato.
- Per ridurre il rischio di lesioni personali, non piegare il sistema di bloccaggio delle pale durante l'installazione, il bilanciamento o la pulizia della ventola. Non inserire mai oggetti estranei tra le pale rotanti della ventola.
- Per ridurre il rischio di incendi, scosse elettriche o danni al motore, non utilizzare un controllo di velocità a stato solido con questa ventola. Usa solo i controlli di velocità CREA

**Nota:** Le importanti precauzioni di sicurezza e le istruzioni contenute in questo manuale non intendono coprire tutte le possibili condizioni e situazioni che possono verificarsi. Dovrebbe essere chiaro che il buon senso e la cautela sono fattori necessari nell'installazione e nel funzionamento di questo ventilatore.

---

## ELENCO DELLE PARTI

---



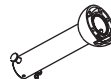
Staffa di  
fissaggio



Floron



Attacco  
lama



Shank



lame



Bulloni ad  
espansione



Il motore



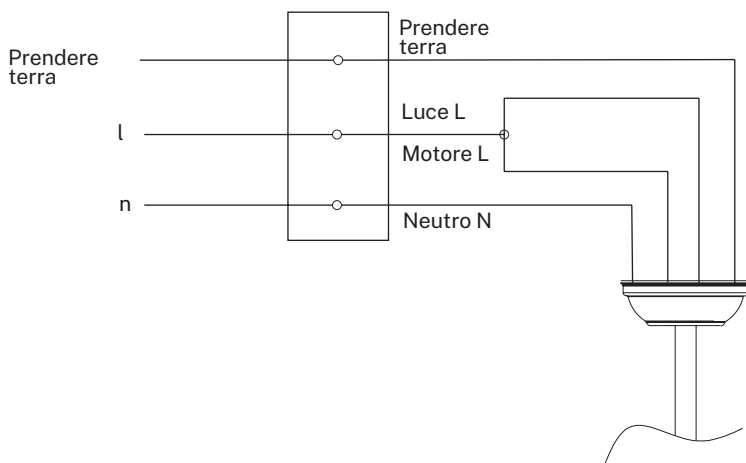
Tulipa



Catene

## COLLEGAMENTO ELETTRICO

- Effettuare il collegamento tra i cavi dell'impianto elettrico della propria abitazione ed i cavi del motore del ventilatore seguendo le indicazioni sotto riportate.

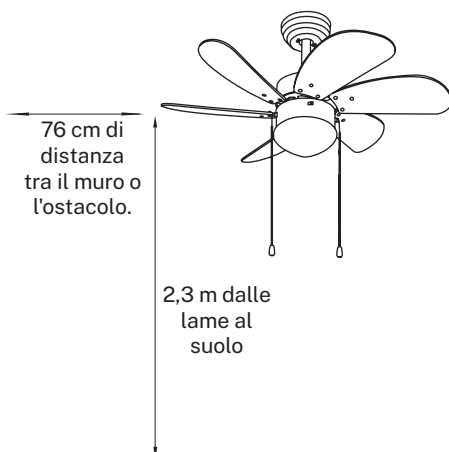


## ISTRUZIONI PER L'INSTALLAZIONE

- Segnare la corretta posizione dei fori e fissare la staffa di montaggio utilizzando le viti con tasselli metallici o viti e rondelle adatte al tipo di soffitto scelto.
- Verificare la corretta installazione della staffa prima di appendere il ventilatore. Questa piastra deve supportare l'intero peso del ventilatore.

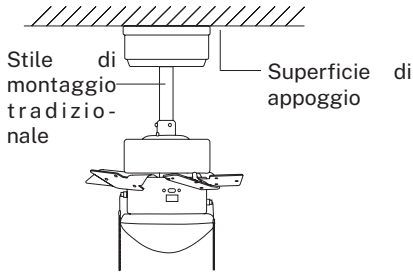
### PREPARAZIONE DELL'INSTALLAZIONE

- Per evitare lesioni personali e danni, assicurarsi che il punto in cui appendere le lame lasci una distanza di 2,3 m dal suolo e 76 cm da eventuali pareti o ostacoli.
- Assicurarsi che la staffa di montaggio sia fissata saldamente alla struttura dell'edificio e possa supportare l'intero peso del ventilatore.

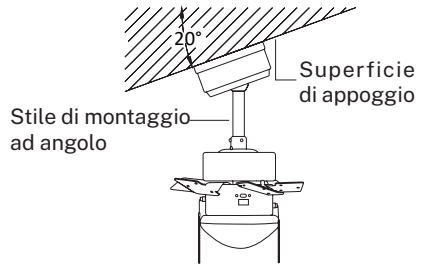


## POST INSTALLAZIONE

- Rimuovere il bullone del reggisella rimuovendo il perno e passare il terminale (modanatura della corona) e il cofano attraverso la barra di sospensione. Quindi, instradare i fili del motore della ventola attraverso l'interno della barra appendiabiti. Stringere la barra di sospensione al motore e inserire il bullone e il perno.



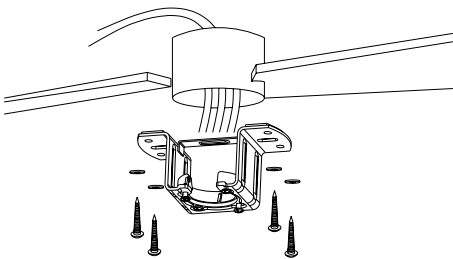
Il supporto standard è appeso al soffitto tramite un'asta.



Il montaggio ad angolo è consigliato per soffitti a volta o inclinati.

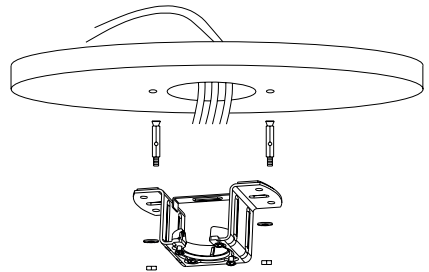
## FISSAGGIO DELLA STAFFA DI MONTAGGIO

- La scatola di derivazione e la trave devono essere montate in modo sicuro e in grado di sostenere in modo affidabile almeno il peso del ventilatore.



### Tetto in legno

Fissare saldamente la staffa di montaggio con viti per legno e rondelle ai giunti del soffitto.

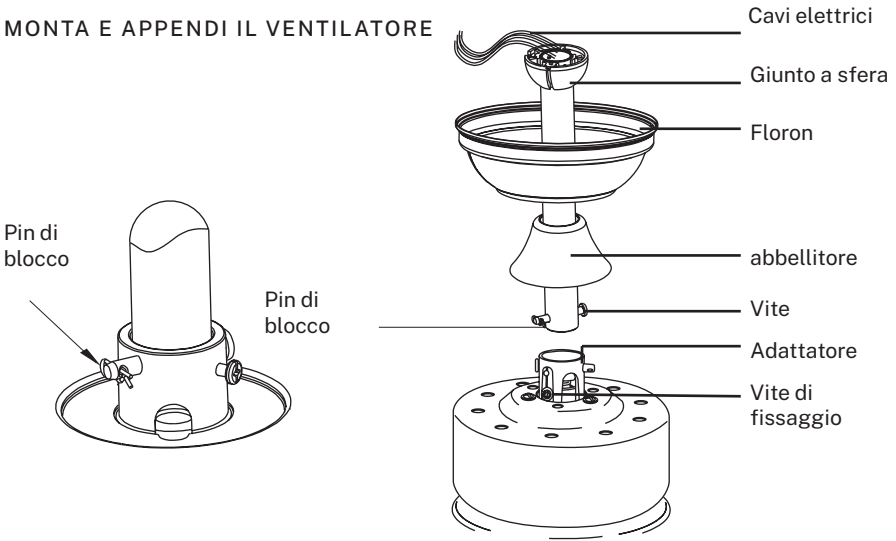


### Soffitto in cemento

Praticare dei fori con una punta da 8 mm, a seconda della lunghezza delle viti ad espansione. Quindi, fissare la staffa di montaggio al soffitto con le viti ad espansione.

Non fissare la staffa di montaggio direttamente su soffitti di spessore inferiore a 10 mm per evitare il rischio di allentamento della vite.

## MONTA E APPENDI IL VENTILATORE



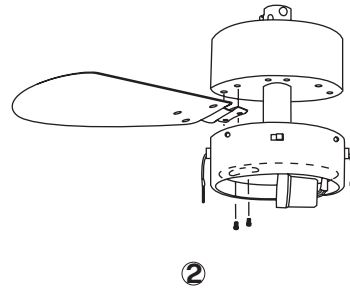
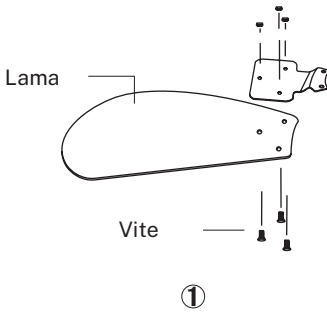
- Se si desidera estendere la lunghezza di sospensione del ventilatore, è necessario rimuovere la sfera sospesa dall'asta fornita per utilizzarla con l'asta di prolunga (inclusa). (Se si desidera utilizzare il downrod, seguire le istruzioni di seguito.)
- Per rimuovere la sfera sospesa, allentare la vite di fissaggio della sfera sospesa e rimuovere il perno e il bullone. Abbassare la sfera sospesa e rimuovere il perno di arresto. Far scorrere la sfera sospesa fuori dall'asta originale e farla scorrere lungo l'asta più lunga (si noti che la parte superiore dell'asta ha un foro per la vite di fissaggio, utilizzare questo foro quando si inserisce la vite di fissaggio).
- Inserire il perno di arresto nella parte superiore dell'asta estesa e sollevare la sfera sospesa.
- Assicurarsi che il perno del fermo sia allineato con le fessure all'interno della sfera sospesa, serrare saldamente la vite di fermo.

**Consiglio:** Per facilitare l'inserimento dei fili nella barra, avvolgi del nastro isolante attorno ai fili. Questo ti aiuterà a tenerli insieme mentre li inserisci nella barra.

- Allentare le viti di fissaggio e la rondella sulla parte superiore dell'alloggiamento del motore. Rimuovi i perni dalla barra (se non l'hai già fatto). Inserisci la rosetta attraverso la barra.
- Passare i cavi attraverso la barra e tirare i cavi in eccesso dalla parte superiore della barra per stringerli.
- Posiziona la barra all'interno dell'alloggiamento del motore e inserisci i perni rimossi in precedenza. Serrare le viti di fissaggio e le rondelle.
- Abbassare l'aletta nell'alloggiamento del motore.

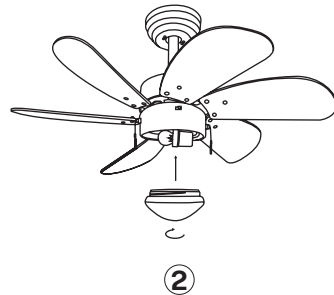
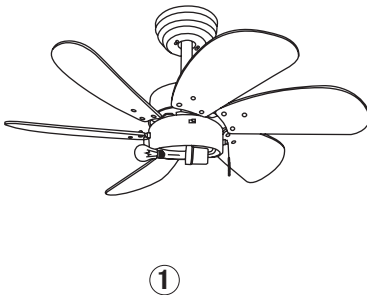
## GRUPPO LAME

Allineare i fori nella staffa della lama con i fori nelle lame e nel corpo motore e avvitarli in posizione, ma non serrare le viti finché non sono tutte in posizione e avvitate.



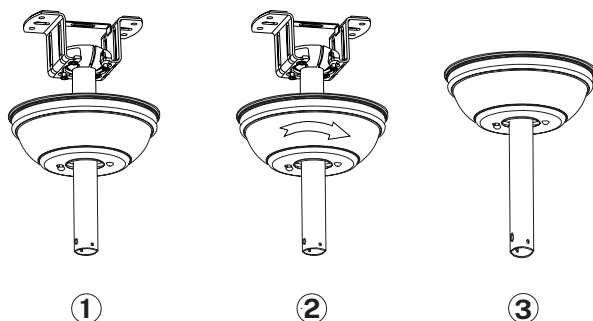
- Verificare il corretto funzionamento del ventilatore da soffitto, verificando che non vi siano movimenti anomali o disallineamenti in nessuna parte del ventilatore.
- Nel caso in cui si notasse qualsiasi tipo di ronzio/vibrazione, si può procedere alla regolazione delle lame con il kit antirollio.
- Il kit antirollio ha pesi autoadesivi e clip a forma di U.
- Spegni il ventilatore da soffitto.
- Puoi mettere la clip al centro di qualsiasi lama e controllare se la vibrazione diminuisce.
- Accendi la ventola e controlla. Se non ci sono cambiamenti, spegna la ventola e aggiungine un'altra.

## INSTALLAZIONE DEL KIT LUCI



- Installare la lampadina (non inclusa).
- Fissare il paralume al motore inserendo il collo di vetro nella lampada, mantenendo due clip a molla all'interno del collo di vetro. Tirare il paralume in vetro verso la terza clip a molla. Spingere la terza clip per adattarla all'interno del vetro e spingere il vetro verso il motore.
- Assemblare il portachiavi decorativo e le catene di estensione dalla borsa dell'hardware alle catene di trazione della ventola inserendo l'estremità della catena nella maglia della catena. Confermare che le catene siano fissate tirando leggermente entrambe le catene sul giunto.

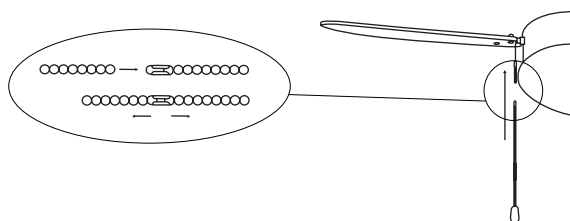
## MONTAGGIO DELLA ROSETTA



- Sollevare la rosetta fino alla staffa di montaggio e allineare le viti allentate nella staffa di montaggio con i fori nella rosetta.
- Ruotare la pinna per regolare. Reinserire le viti e fissarle con un cacciavite.
- Una volta fissata la staffa di montaggio alla scatola di giunzione, è possibile procedere ad appendere la ventola.
- Tenere saldamente il ventilatore con entrambe le mani. Passare l'asta attraverso l'apertura della staffa di montaggio e lasciare che la sfera poggi sulla staffa di montaggio.
- Ruotare il giunto a sfera finché non si allinea con la linguetta sulla staffa di montaggio.
- **Consiglio:** Qualcun altro dovrebbe aiutarti a tenere la scala e darti il ventilatore dopo che ci sei salito.

### Montaggio a catena

Agganciare il perno all'estremità della catena nella fessura e tirare per stringere. Dopodiché, puoi accenderlo all'elettricità e goderti il tuo nuovo ventilatore.



In conformità con le direttive: 2012/19 / UE e 2015/863 / UE sulla restrizione dell'uso di sostanze pericolose nelle apparecchiature elettriche ed elettroniche, nonché sul loro smaltimento dei rifiuti. Il simbolo con la pattumiera incrociata mostrato sulla confezione indica che il prodotto al termine della sua vita utile verrà raccolto come rifiuto separato. Pertanto, qualsiasi prodotto che ha raggiunto la fine della sua vita utile deve essere consegnato a centri specializzati di smaltimento dei rifiuti per la raccolta selettiva di rifiuti di apparecchiature elettriche ed elettroniche o restituito al rivenditore al momento dell'acquisto di nuove apparecchiature simili, in un'unica per una base. Una corretta raccolta separata per la successiva messa in servizio di apparecchiature spedite per essere riciclate, trattate e smaltite in modo ecologico aiuta a prevenire potenziali effetti negativi sull'ambiente e sulla salute e ottimizza il riciclaggio e il riutilizzo di i componenti che compongono il dispositivo. L'eliminazione abusiva del prodotto da parte dell'utente implica l'applicazione di sanzioni amministrative in conformità con le leggi.



Vielen Dank, dass Sie sich für unseren Deckenventilator entschieden haben. Bevor Sie das Gerät verwenden und um eine optimale Nutzung zu gewährleisten, lesen Sie bitte diese Anleitung sorgfältig durch.

Die in diesem Dokument enthaltenen Sicherheitsvorkehrungen verringern das Risiko von Tod, Verletzung und Stromschlag, wenn sie richtig befolgt werden. Bewahren Sie das Handbuch zusammen mit der vollständigen Garantiekarte, dem Kaufbeleg und der Verpackung zum späteren Nachschlagen an einem sicheren Ort auf. Bitte leiten Sie diese Anleitung ggf. an den nächsten Besitzer des Gerätes weiter. Beachten Sie beim Gebrauch eines Elektrogeräts immer die grundlegenden Sicherheitsvorkehrungen und Unfallverhütungsmaßnahmen. Für die Verletzung dieser Vorgaben durch den Kunden übernehmen wir keine Verantwortung.

---

## SICHERHEITSHINWEISE

---

Beider Verwendung von Elektrogeräten sollten immer grundlegende Sicherheitsvorkehrungen beachtet werden.

- Dieses Gerät ist nicht für den Gebrauch durch Personen mit eingeschränkten körperlichen, sensorischen oder geistigen Behinderungen oder Mangel an Erfahrung und Wissen bestimmt, es sei denn, sie werden beaufsichtigt oder wurden in den sicheren Gebrauch des Geräts eingewiesen und verstehen die damit verbundenen Gefahren.
- Kinder erkennen nicht die Gefahren, die beim Betrieb eines Deckenventilators auftreten können
- Halten Sie Kinder von Deckenventilatoren fern.
- Setzen Sie den Deckenventilator weder Regen noch Feuchtigkeit aus. Verwenden Sie den Deckenventilator nicht im Freien oder mit nassen Händen.

---

## STANDORT UND INSTALLATIONSVORAUSSETZUNGEN

---

### MECHANISCHE PROBLEME

- Der tiefste Punkt des Ventilatorflügels muss laut Sicherheitsvorschriften mindestens 2,3 m (7 ft) über dem Boden liegen.
- Stellen Sie sicher, dass der gewählte Standort nicht zulässt, dass die rotierenden Lüfterflügel mit irgendetwas in Berührung kommen.
- Stellen Sie sicher, dass die Deckenbalken solide und groß und stark genug sind, um das Gewicht des Ventilators zu tragen.
- Um das Risiko von Bränden, Stromschlägen oder Verletzungen zu verringern, stellen Sie sicher, dass die Lüfterhalterung direkt an der Gebäudestruktur befestigt ist. Montieren Sie es NICHT in einem Verteilerkasten.
- Der Montagewinkel muss fest mit einer tragenden Konstruktion, beispielsweise einer Betondecke, einer Stahlkonstruktion oder einem Holzrahmen, verschraubt werden. Wenn ein Holzrahmen hinzugefügt wird, muss dieser zwischen zwei Sparren fest genagelt oder verschraubt werden.
- Um das Risiko von Personen- und Sachschäden zu verringern, dürfen Sie die Lüfterstange oder die Flügel bei der Handhabung oder Installation nicht verbiegen oder beschädigen.
- Stellen Sie sicher, dass der Deckenventilator sicher an der Decke befestigt ist. Alle Stellschrauben sollten vor dem Betrieb des Ventilators überprüft und bei Bedarf nachgezogen werden.

## ELEKTRISCHE PROBLEME

- Schalten Sie immer den Strom aus, bevor Sie den Deckenventilator reparieren, und schalten Sie den Schutzschalter aus, der das Licht mit Strom versorgt. Um einen möglichen Stromschlag zu vermeiden, vergewissern Sie sich vor der Verdrahtung, dass der Strom am Sicherungskasten oder am Leistungsschalterfeld ausgeschaltet ist.
- Der Lüfter, die Montagehalterung und das Beleuchtungsset müssen geerdet werden. Stellen Sie sicher, dass alle gespleißten Verbindungen ausreichend isoliert sind.
- Prüfen und bestätigen Sie, dass alle Verbindungen korrekt und sicher sind. Wenn alle elektrischen Anschlüsse hergestellt sind, verstauen Sie alle Kabel geordnet.
- Versuchen Sie nicht, diesen Ventilator über einen Wandschalter oder eine Fernbedienung zu steuern, die nicht vom Hersteller für die Verwendung mit diesem Ventilator zugelassen sind. Verwenden Sie KEINEN Solid-State-Controller. Bei Verwendung einer nicht zugelassenen Fernbedienung oder eines Wandschalters erlischt die Garantie.
- Schließen Sie den Deckenventilator nicht an einen Dimmer oder Dimmer an.

---

## VORSICHTS- UND WARNHINWEISE

---

- Verwenden Sie nur CREATE-Ersatzteile.
- Um die Verletzungsgefahr zu verringern, verbinden Sie den Ventilator gemäß dieser Anleitung direkt mit der Gebäudeunterkonstruktion und verwenden Sie nur die mitgelieferte Hardware.
- Um einen möglichen Stromschlag zu vermeiden, trennen Sie vor der Installation Ihres Ventilators die Stromversorgung, indem Sie die Schutzschalter in der Steckdose und den zugehörigen Wandschalter ausschalten.
- Die gesamte Verkabelung muss den nationalen und lokalen Elektrovorschriften und ANSI / NFPA 70 entsprechen. Wenn Sie mit der Verkabelung nicht vertraut sind, wenden Sie sich an einen qualifizierten Elektriker.
- Um die Verletzungsgefahr zu verringern, das Flügelklemmsystem beim Einbau, Auswuchten oder Reinigen des Ventilators nicht verbiegen. Stecken Sie niemals Fremdkörper zwischen die rotierenden Lüfterflügel.
- Um das Risiko von Bränden, Stromschlägen oder Motorschäden zu verringern, verwenden Sie bei diesem Ventilator keinen Festkörper-Drehzahlregler. Verwenden Sie nur CREATE-Geschwindigkeitssteuerungen

**Notiz:** Die wichtigen Sicherheitsvorkehrungen und Anweisungen in diesem Handbuch sollen nicht alle möglichen Bedingungen und Situationen abdecken, die auftreten können. Es versteht sich, dass bei der Installation und dem Betrieb dieses Ventilators gesunder Menschenverstand und Vorsicht geboten sind.

---

## Liste der Teile

---



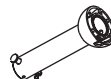
Montagehalterung



Floron



Messerkupplung



Schaft



Klingen



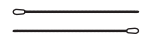
Dehnschrauben



Motor



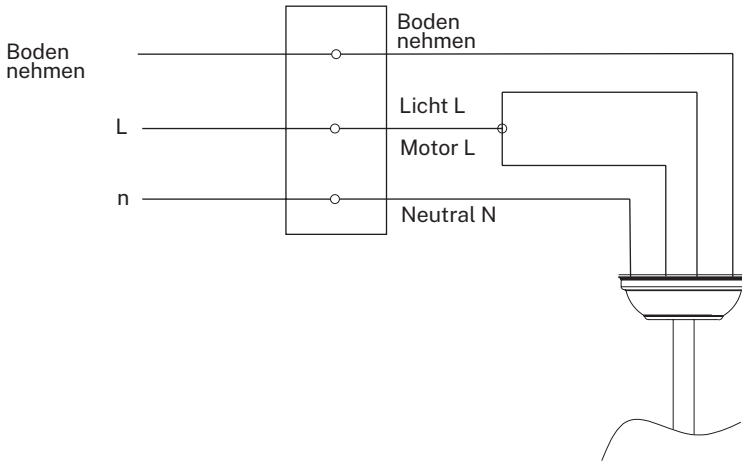
Tulipa



Ketten

## ELEKTRISCHER ANSCHLUSS

- Stellen Sie die Verbindung zwischen den Kabeln der Elektroinstallation Ihres Hauses und den Kabeln des Lüftermotors gemäß den folgenden Anweisungen her.

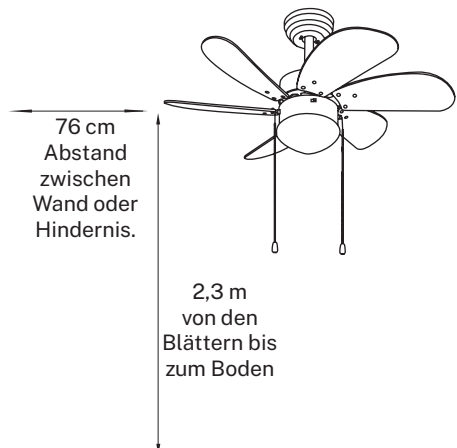


## INSTALLATIONSANLEITUNG

- Markieren Sie die richtige Position der Löcher und befestigen Sie die Montagehalterung mit den Schrauben mit Metalldübeln oder Schrauben und Unterlegscheiben, die für den gewählten Deckentyp geeignet sind.
- Überprüfen Sie die korrekte Installation der Halterung, bevor Sie den Lüfter aufhängen. Diese Platte muss das volle Gewicht des Ventilators tragen.

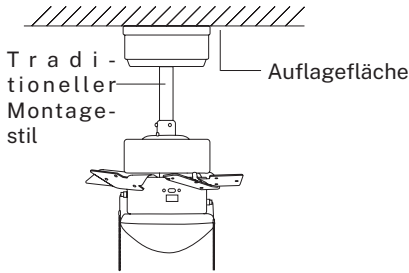
### INSTALLATIONSVORBEREITUNG

- Um Personen- und Sachschäden zu vermeiden, stellen Sie sicher, dass die Aufhängung der Messer einen Abstand von 2,3 m zum Boden und 76 cm zu Wänden oder Hindernissen lässt.
- Stellen Sie sicher, dass die Montagehalterung sicher an der Gebäudestruktur befestigt ist und das volle Gewicht des Ventilators tragen kann.

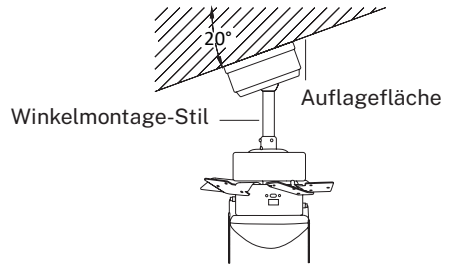


## NACH DER INSTALLATION

- Entfernen Sie die Sattelstützenschraube, indem Sie den Stift entfernen und das Endstück (Kronenformteil) und die Haube durch die Aufhängungsstange führen. Als nächstes führen Sie die Lüftermotorkabel durch die Innenseite der Aufhängerstange. Ziehen Sie die Aufhängestange am Motor fest und setzen Sie die Schraube und den Stift ein.



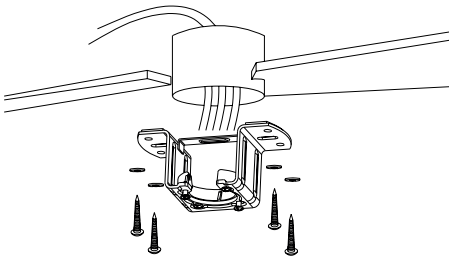
Die Standardhalterung hängt mit einer Stange von der Decke.



Die Winkelmontage wird für eine gewölbte oder schräge Decke empfohlen.

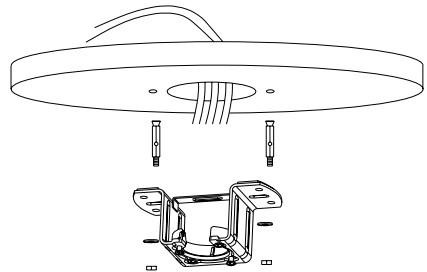
## BEFESTIGUNG DER MONTAGEHALTERUNG

- Der Auslasskasten und der Balken müssen sicher montiert sein und mindestens das Gewicht des Ventilators zuverlässig tragen können.



### Holzdach

Befestigen Sie die Montagehalterung mit Holzschrauben und Unterlegscheiben sicher an den Deckenfugen.



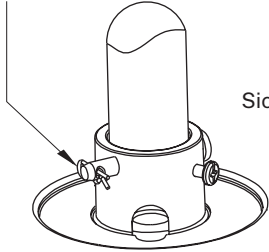
### Betondecke

Bohren Sie Löcher mit einem 8mm Bohrer, je nach Länge der Dehnschrauben. Befestigen Sie anschließend die Montagehalterung mit den Dehnschrauben an der Decke.

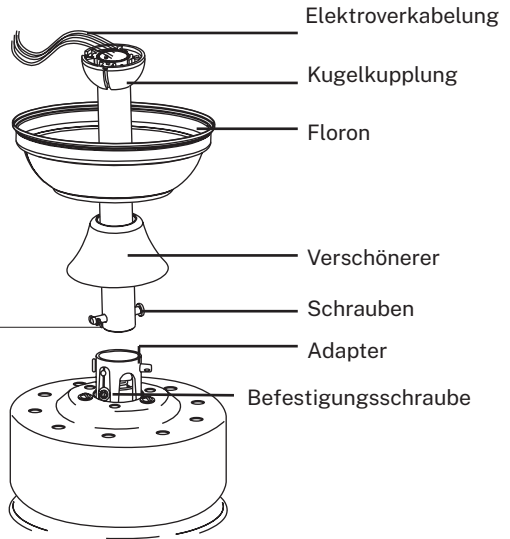
Befestigen Sie die Montagehalterung nicht direkt an Decken mit einer Dicke von weniger als 10 mm, um das Risiko des Lösens der Schraube zu vermeiden.

## MONTIEREN UND HÄNGEN SIE DEN LÜFTER

Sicherungsstift



Sicherungsstift



- Wenn Sie die Aufhängungslänge Ihres Ventilators verlängern möchten, müssen Sie die Aufhängekugel von der mitgelieferten Stange entfernen, um sie mit der Verlängerungsstange (im Lieferumfang enthalten) zu verwenden.

(Wenn Sie das Downrod verwenden möchten, folgen Sie den Anweisungen unten.)

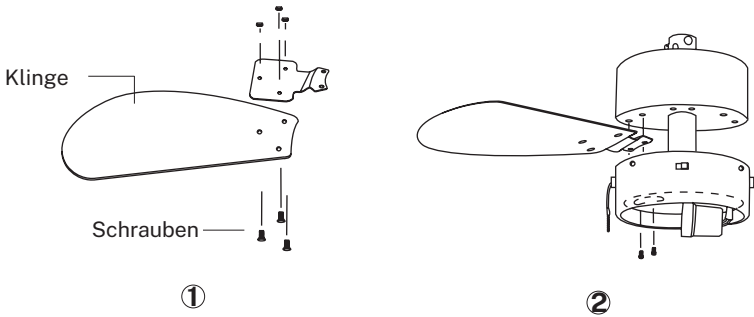
- Um die hängende Kugel zu entfernen, lösen Sie die Stellschraube der hängenden Kugel und entfernen Sie den Stift und die Schraube. Senken Sie die hängende Kugel ab und entfernen Sie den Stopperstift. Schieben Sie die hängende Kugel aus der Originalstange und schieben Sie sie an der längsten Stange nach unten (beachten Sie, dass die Oberseite der Stange ein Loch für die Stellschraube hat, verwenden Sie dieses Loch beim Einsetzen der Stellschraube).
- Stecken Sie den Stopperstift oben in die verlängerte Stange und heben Sie die hängende Kugel ab.
- Stellen Sie sicher, dass der Anschlagstift mit den Schlitten an der Innenseite der hängenden Kugel ausgerichtet ist, und ziehen Sie die Stellschraube fest an.

**Spitze:** Um das Einführen der Drähte in die Stange zu erleichtern, wickeln Sie etwas Isolierband um die Drähte. Dies wird Ihnen helfen, sie zusammenzuhalten, wenn Sie sie in die Leiste einführen.

- Gewindestifte und Unterlegscheibe oben am Motorgehäuse lösen. Entfernen Sie die Stifte von der Stange (falls Sie dies noch nicht getan haben). Stecken Sie die Rosette durch die Leiste.
- Führen Sie die Kabel durch die Stange und ziehen Sie die überschüssigen Kabel von der Oberseite der Stange, um sie festzuziehen.
- Setzen Sie die Leiste in das Motorgehäuse ein und setzen Sie die zuvor entfernten Stifte ein. Ziehen Sie die Stellschrauben und Unterlegscheiben fest.
- Senken Sie die Finne in das Motorgehäuse.

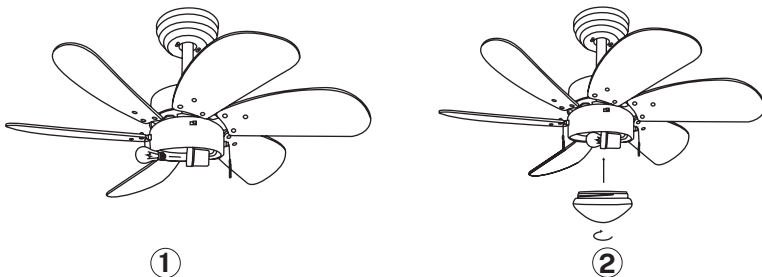
## KLINGENMONTAGE

Richten Sie die Löcher in der Klingenhalterung mit den Löchern in den Klingen und im Motorgehäuse aus und schrauben Sie sie fest, aber ziehen Sie die Schrauben nicht an, bis sie alle angebracht und eingeschraubt sind.



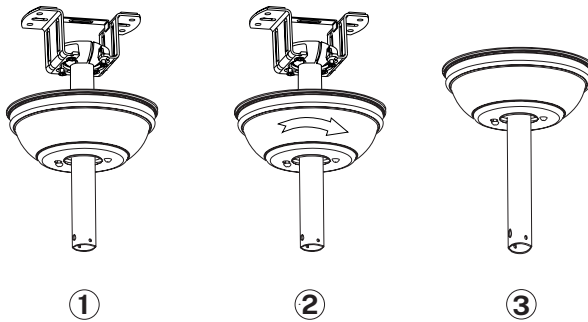
- Überprüfen Sie den korrekten Betrieb des Deckenventilators und stellen Sie sicher, dass keine seltsamen Bewegungen oder Fehlausrichtungen in irgendeinem Teil des Ventilators auftreten.
- Für den Fall, dass Brummen / Vibrationen zu sehen sind, können Sie die Messer mit dem Anti-Roll-Kit einstellen.
- Das Anti-Roll-Kit verfügt über selbstklebende Gewichte und U-förmige Clips.
- Schalten Sie den Deckenventilator aus.
- Sie können den Clip in die Mitte jeder Klinge stecken und prüfen, ob die Vibration nachlässt.
- Schalten Sie den Lüfter ein und überprüfen Sie. Wenn keine Änderungen vorgenommen werden, schalten Sie den Lüfter aus und fügen Sie einen weiteren hinzu.

## INSTALLATION DES BELEUCHTUNGSKITS



- Installieren Sie die Glühbirne (nicht im Lieferumfang enthalten).
- Befestigen Sie den Lampenschirm am Motor, indem Sie den Glashals in die Leuchte einführen und dabei zwei Federklammern im Glashals halten. Ziehen Sie den Glasschirm in Richtung des dritten Federclips. Drücken Sie den dritten Clip so, dass er in das Glas passt, und schieben Sie das Glas in Richtung der Halterung.
- Montieren Sie den dekorativen Schlüsselanhänger und die Verlängerungsketten aus der Hardware-Tasche zu den Lüfterzugketten, indem Sie das Ende der Kette in das Kettenglied einführen. Vergewissern Sie sich, dass die Ketten gesichert sind, indem Sie leicht an beiden Ketten der Kupplung ziehen.

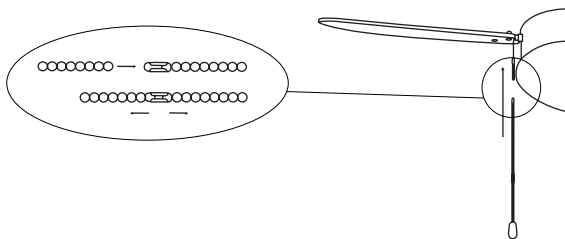
## ROSETTE MONTIEREN



- Heben Sie die Rosette bis zum Montagewinkel an und richten Sie die gelösten Schrauben im Montagewinkel an den Löchern in der Rosette aus.
  - Drehen Sie die Flosse zum Anpassen. Setzen Sie die Schrauben wieder ein und sichern Sie sie mit einem Schraubendreher.
  - Sobald Sie die Montagehalterung an der Anschlussdose befestigt haben, können Sie den Lüfter aufhängen.
  - Halten Sie den Ventilator mit beiden Händen fest. Führen Sie die Stange durch die Öffnung der Halterung und lassen Sie die Kugel auf der Halterung ruhen.
  - Drehen Sie die Kugelkupplung, bis sie mit der Lasche an der Montagehalterung ausgerichtet ist.
- **Spitze:** Jemand anderes sollte Ihnen helfen, die Leiter zu halten und Ihnen den Ventilator zu geben, nachdem Sie darauf gestiegen sind.

## KETTENMONTAGE

Haken Sie den Stift am Ende der Kette in den Schlitz ein und ziehen Sie ihn fest. Danach können Sie den Strom einschalten und Ihren neuen Ventilator genießen.



In Übereinstimmung mit den Richtlinien: 2012/19 / EU und 2015/863 / EU über die Beschränkung der Verwendung gefährlicher Stoffe in elektrischen und elektronischen Geräten sowie deren Abfallentsorgung. Das Symbol mit der gekreuzten Mülltonne auf der Verpackung zeigt an, dass das Produkt am Ende seiner Nutzungsdauer als separater Abfall gesammelt wird. Daher muss jedes Produkt, das das Ende seiner Nutzungsdauer erreicht hat, an spezialisierte Abfallentsorgungszentren zur selektiven Sammlung von elektrischen und elektronischen Abfallgeräten geliefert oder beim Kauf ähnlicher neuer Geräte an den Einzelhändler zurückgegeben werden für eine Basis. Die ordnungsgemäße getrennte Sammlung für die spätere Inbetriebnahme von Geräten, die zum umweltfreundlichen Recycling, zur Behandlung und Entsorgung versandt werden, trägt dazu bei, mögliche negative Auswirkungen auf Umwelt und Gesundheit zu vermeiden und das Recycling und die Wiederverwendung zu optimieren die Komponenten, aus denen das Gerät besteht. Die missbräuchliche Beseitigung des Produkts durch den Benutzer impliziert die Anwendung von Verwaltungsanktionen in Übereinstimmung mit den Gesetzen.



Bedankt voor het kiezen van onze plafondventilator. Lees deze instructies aandachtig door voordat u het apparaat in gebruik neemt en voor een optimaal gebruik.

De veiligheidsmaatregelen in dit document verminderen het risico op overlijden, letsel en elektrische schokken als ze correct worden opgevolgd. Bewaar de handleiding op een veilige plaats voor toekomstig gebruik, samen met de volledige garantietaak, het aankoopbewijs en de verpakking. Indien van toepassing, gelieve deze instructies door te geven aan de volgende eigenaar van het toestel. Volg altijd de elementaire veiligheidsmaatregelen en maatregelen ter voorkoming van ongevallen bij het gebruik van een elektrisch apparaat. Wij aanvaarden geen enkele verantwoordelijkheid voor de schending van deze vereisten door de klant.

---

## BEVEILIGINGSINSTRUCTIES

---

Bij het gebruik van een elektrisch apparaat moeten altijd elementaire veiligheidsmaatregelen in acht worden genomen.

- Dit apparaat is niet ontworpen voor gebruik door personen met een verminderde lichamelijke, zintuiglijke of mentale handicap of gebrek aan ervaring en kennis, tenzij ze onder toezicht staan of zijn geïnstrueerd in het veilige gebruik van het apparaat en de bijbehorende gevaren begrijpen.
- Kinderen kennen de gevaren niet die kunnen optreden bij het gebruik van een plafondventilator
- Houd kinderen uit de buurt van plafondventilatoren.
- Stel de plafondventilator niet bloot aan regen of vocht. Gebruik de plafondventilator niet buitenshuis of met natte handen.

---

## LOCATIE- EN INSTALLATIEVEREISTEN

---

### MECHANISCHE PROBLEMEN

- Volgens de veiligheidsvoorschriften moet het laagste punt van het ventilatorblad minimaal 2,3 m (7 ft) boven de grond zijn.
- Zorg ervoor dat op de gekozen locatie de draaiende ventilatorbladen nergens mee in aanraking kunnen komen.
- Zorg ervoor dat de plafondbalken stevig en groot en sterk genoeg zijn om het gewicht van de ventilator te dragen.
- Om het risico op brand, elektrische schokken of persoonlijk letsel te verminderen, moet u ervoor zorgen dat de montagebeugel van de ventilator rechtstreeks op de constructie van het gebouw is aangesloten. Monteer het NIET in een verdeelkast.
- De montagebeugel moet stevig worden vastgeschroefd aan een draagconstructie, bijvoorbeeld een betonnen plafond, een staalconstructie of een houten frame. Als er een houten frame wordt toegevoegd, moet deze stevig tussen twee spanten worden genageld of geschroefd.
- Om het risico op persoonlijk letsel en materiële schade te verminderen, mag u de ventilatorstang of bladen niet buigen of beschadigen tijdens het hanteren of installeren ervan.
- Zorg ervoor dat de plafondventilator stevig aan het plafond is bevestigd. Alle stelschroeven moeten worden gecontroleerd en indien nodig opnieuw worden vastgedraaid voordat de ventilator in werking treedt.



## ELEKTRISCHE PROBLEMEN

- Schakel altijd de stroom uit voordat u de plafondventilator repareert en schakel de stroomonderbreker uit die de stroom naar het licht voedt. Om mogelijke elektrische schokken te voorkomen, moet u ervoor zorgen dat de elektriciteit is uitgeschakeld in de zekeringkast of het stroomonderbrekerpaneel voordat u de bedrading bedient.
- De ventilator, montagebeugel en verlichtingsset moeten worden geaard. Zorg ervoor dat alle gesplitste verbindingen voldoende geïsoleerd zijn.
- Controleer en bevestig dat alle verbindingen correct en veilig zijn. Wanneer alle elektrische aansluitingen zijn gemaakt, bergt u alle kabels op een geordende manier op.
- Probeer deze ventilator niet te bedienen met een wandschakelaar of afstandsbediening die niet door de fabrikant is goedgekeurd voor gebruik met deze ventilator. Gebruik GEEN solid-state controller. Bij gebruik van een niet-goedgekeurde afstandsbediening of wandschakelaar vervalt de garantie.
- Sluit de plafondventilator niet aan op een dimmer of dimmer.

## VOORZORGSMAATREGELEN EN WAARSCHUWINGEN

- Gebruik alleen CREATE-ervangingsonderdelen.
- Om het risico op persoonlijk letsel te verminderen, sluit u de ventilator rechtstreeks aan op de draagconstructie van het gebouw in overeenstemming met deze instructies en gebruikt u alleen de meegeleverde hardware.
- Om mogelijke elektrische schokken te voorkomen, moet u voordat u uw ventilator installeert, de stroom uitschakelen door de stroomonderbrekers in het stopcontact en de bijbehorende wandschakelaar uit te schakelen.
- Alle bedrading moet in overeenstemming zijn met de nationale en lokale elektrische codes en ANSI / NFPA 70. Neem contact op met een gekwalificeerde elektricien als u niet bekend bent met bedrading.
- Om het risico op persoonlijk letsel te verminderen, mag u het bladklemsysteem niet buigen tijdens het installeren, balanceren of reinigen van de ventilator. Steek nooit vreemde voorwerpen tussen de draaiende ventilatorbladen.
- Om het risico op brand, elektrische schokken of motorschade te verminderen, mag u bij deze ventilator geen solid-state snelheidsregeling gebruiken. Gebruik alleen CREATE snelheidsregelaars

**Opmerking:** De belangrijke veiligheidsmaatregelen en instructies in deze handleiding zijn niet bedoeld om alle mogelijke omstandigheden en situaties te dekken die zich kunnen voordoen. Het moet duidelijk zijn dat gezond verstand en voorzichtigheid noodzakelijke factoren zijn bij de installatie en werking van deze ventilator.

## LIJST MET ONDERDELEN



Montagebeugel



floron



trekhaak



Schacht



Messen



Uitbreidingsbouten



Motor



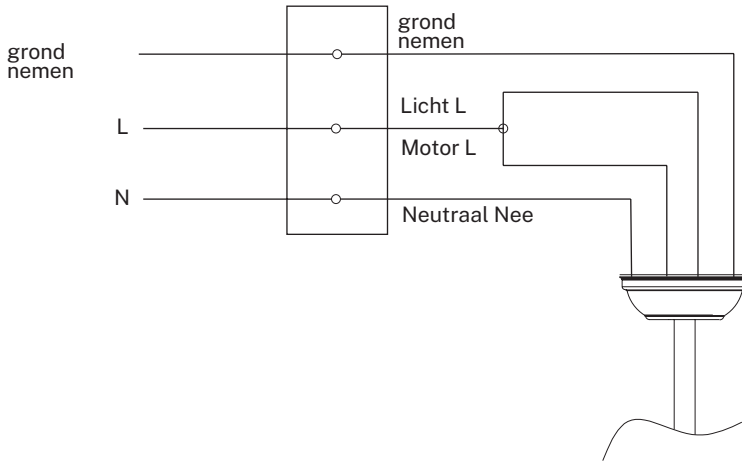
Tulpen



kettingen

## ELEKTRISCHE AANSLUITING

- Maak de verbinding tussen de kabels van de elektrische installatie van je woning en de kabels van de ventilatormotor volgens onderstaande instructies.

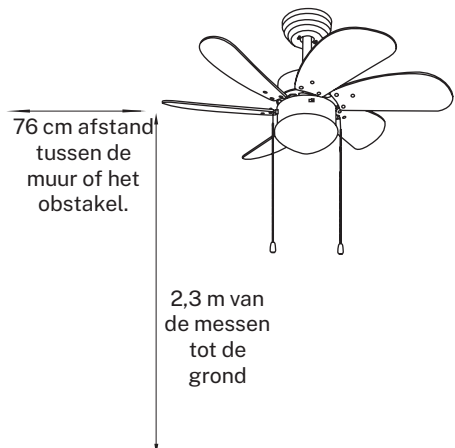


## INSTALLATIE INSTRUCTIES

- Markeer de juiste positie van de gaten en bevestig de montagebeugel met behulp van schroeven met metalen pluggen of schroeven en ringen die geschikt zijn voor het gekozen type plafond.
- Controleer de juiste installatie van de beugel voordat u de ventilator ophangt. Deze plaat moet het volledige gewicht van de ventilator dragen.

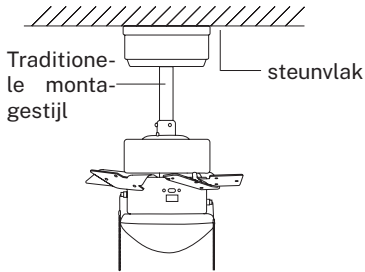
### INSTALLATIE VOORBEREIDING

- Om persoonlijk letsel en schade te voorkomen, moet u ervoor zorgen dat de plaats om de messen op te hangen een vrije ruimte van 2,3 m vanaf de grond en 76 cm van muren of obstakels laat.
- Zorg ervoor dat de montagebeugel stevig aan de bouwconstructie is bevestigd en het volledige gewicht van de ventilator kan dragen.

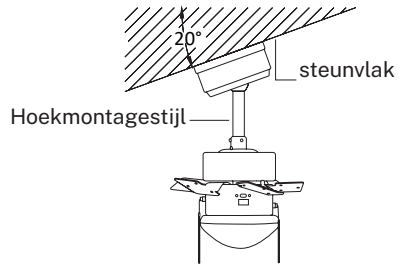


## NA INSTALLATIE

- Verwijder de zadelpenbout door de pen te verwijderen en steek de kruisbloem (kroonlijst) en de kap door de ophangstang. Leid vervolgens de draden van de ventilatormotor door de binnenkant van de ophangstang. Draai de ophangstang vast aan de motor en steek de bout en pen erin.



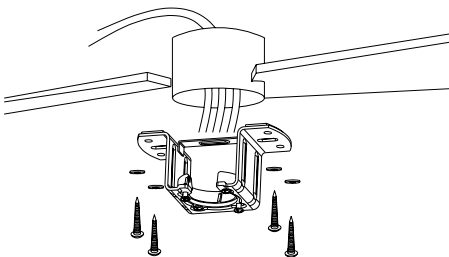
De standaard montage hangt met een stang aan het plafond.



Hoekmontage wordt aanbevolen voor een gewelfd of schuin plafond.

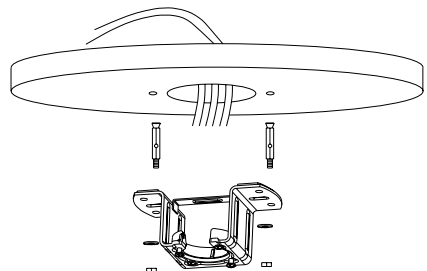
## DE MONTAGEBEUGEL BEVESTIGEN

- De uitlaatdoos en balk moeten stevig worden gemonteerd en in staat zijn om ten minste het gewicht van de ventilator betrouwbaar te dragen.



### Houten dak

Bevestig de montagebeugel stevig met houtschroeven en ringen aan de plafondverbindingen.

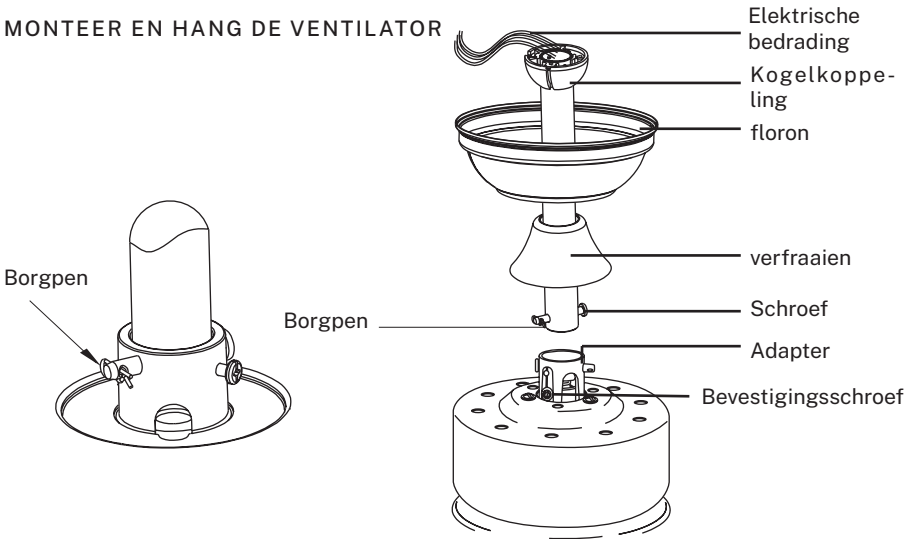


### Betonnen plafond

Boor gaten met een 8 mm boor, afhankelijk van de lengte van de expansieschroeven. Bevestig vervolgens de montagebeugel aan het plafond met de expansieschroeven.

Bevestig de montagebeugel niet rechtstreeks op plafonds met een dikte van minder dan 10 mm om het risico te voorkomen dat de schroef losraakt.

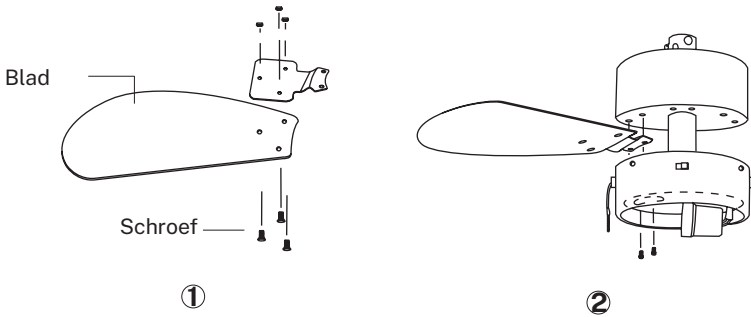
## MONTEER EN HANG DE VENTILATOR



- Als u de ophanglengte van uw ventilator wilt verlengen, moet u de ophangbal van de meegeleverde stang verwijderen om deze te gebruiken met de verlengstang (meegeleverd). (Als u de downrod wilt gebruiken, volgt u de onderstaande instructies.)
  - Om de ophangkogel te verwijderen, draait u de stelschroef van de ophangkogel los en verwijdert u de pen en bout. Laat de hangende bal zakken en verwijder de aanslagpen. Schuif de hangende bal uit de originele staaf en schuif deze langs de langste staaf naar beneden (opgemerkt moet worden dat de bovenkant van de staaf een gat heeft voor de stelschroef, gebruik dit gat bij het inbrengen van de stelschroef).
  - Steek de stoppen in de bovenkant van de verlengde staaf en til de hangende bal op.
  - Zorg ervoor dat de aanslagpen uitgelijnd is met de sleuven aan de binnenkant van de hangende bal, draai de stelschroef stevig vast.
- tip:** Om het gemakkelijker te maken om de draden in de bar te voeren, wikkelt u wat isolatietape om de draden. Dit zal je helpen ze bij elkaar te houden terwijl je ze in de bar steekt.
- Draai de stelschroeven en de ring bovenop het motorhuis los. Verwijder de pinnen van de balk (als je dat nog niet hebt gedaan). Steek de rozet door de balk.
  - Leid de kabels door de stang en trek de overtollige kabels van de bovenkant van de stang om ze strak te trekken.
  - Plaats de staaf in de motorbehuizing en plaats de pinnen die u eerder hebt verwijderd. Draai de stelschroeven en ringen vast.
  - Laat de vin in het motorhuis zakken.

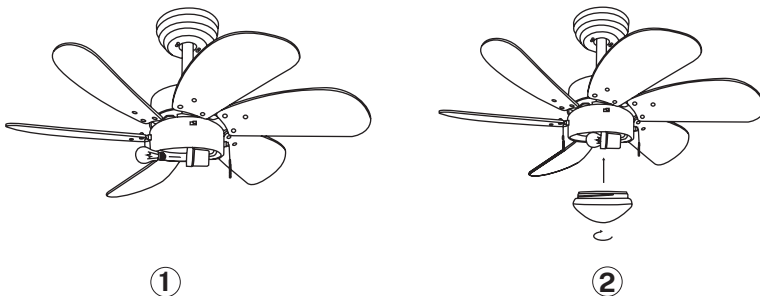
## MES MONTAGE

Lijn de gaten in de mesbeugel uit met de gaten in de messen en het motorhuis en schroef ze op hun plaats, maar draai de schroeven pas vast als ze allemaal op hun plaats zitten en zijn vastgeschroefd.



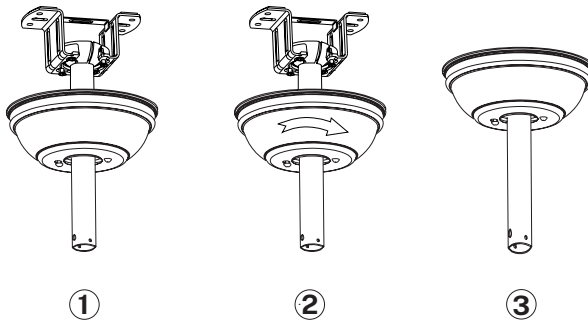
- Controleer de juiste werking van de plafondventilator en controleer of er geen vreemde bewegingen of verkeerde uitlijningen zijn in enig deel van de ventilator.
- In het geval dat er enige brom / trilling te zien is, kunt u doorgaan met het afstellen van de bladen met de anti-rolkit.
- De anti-rolset heeft zelfklevende gewichten en u-vormige clips.
- Zet de plafondventilator uit.
- U kunt de clip in het midden van elk mes plaatsen en controleren of de trilling afneemt.
- Zet de ventilator aan en controleer. Als er geen wijzigingen zijn, zet u de ventilator uit en voegt u er nog een toe.

## DE LICHTSET INSTALLEREN



- Installeer de lamp (niet inbegrepen).
- Bevestig de lampenkap aan de motor door de glazen hals in de lamp te steken, waarbij u twee veerklemmen in de glazen hals houdt. Trek de glazen kap naar de derde veerklem. Duw de derde clip om in het glas te passen en duw het glas naar de mounter.
- Monteer de decoratieve sleutelhanger en verlengkettingen van de hardwaretas tot de ventilatortrekkettingen door het uiteinde van de ketting in de kettingschakel te steken. Controleer of de kettingen goed vastzitten door licht aan beide kettingen op de koppeling te trekken.

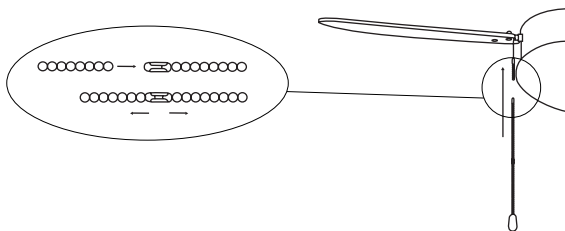
## DE ROZET MONTEREN



- Breng de rozet omhoog tot aan de montagebeugel en lijn de losgedraaide schroeven in de montagebeugel uit met de gaten in de rozet.
- Draai de vin om aan te passen. Plaats de schroeven terug en zet ze vast met een schroevendraaier.
- Nadat u de montagebeugel aan de aansluitdoos hebt bevestigd, kunt u doorgaan met het ophangen van de ventilator.
- Houd de ventilator stevig met beide handen vast. Steek de stang door de opening van de montagebeugel en laat de bal op de montagebeugel rusten.
- Draai de kogelkoppeling totdat deze is uitgelijnd met het lipje op de montagebeugel.
- **tip:** Iemand anders zou je moeten helpen de ladder vast te houden en je de ventilator te geven nadat je erop bent gestapt.

### Kettingmontage

Haak de pin aan het uiteinde van de ketting in de gleuf en trek eraan om hem strak te trekken. Daarna kun je hem op elektriciteit zetten en genieten van je nieuwe ventilator.



In overeenstemming met de richtlijnen: 2012/19 / EU en 2015/863 / EU betreffende de beperking van het gebruik van gevaarlijke stoffen in elektrische en elektronische apparatuur, evenals hun afvalverwerking. Het symbool met de gekruiste vuilnisbak op de verpakking geeft aan dat het product aan het einde van zijn levensduur als gescheiden afval wordt ingezameld. Daarom moet elk product dat het einde van zijn levensduur heeft bereikt, worden afgeleverd bij gespecialiseerde afvalverwijderingscentra voor de selectieve inzameling van afgedankte elektrische en elektronische apparatuur, of bij de aankoop van soortgelijke nieuwe apparatuur in één keer aan de detailhandelaar worden geretourneerd. Voor één basis. Een juiste gescheiden inzameling voor latere inbedrijfstelling van apparatuur die wordt verzonden om te worden gerecycled, behandeld en op milieuvriendelijke wijze afgevoerd, helpt mogelijke negatieve effecten op het milieu en de gezondheid te voorkomen en optimaliseert recycling en hergebruik van de componenten waaruit het apparaat bestaat. De onrechtmatige eliminatie van het product door de gebruiker impliceert de toepassing van administratieve sancties in overeenstemming met de wetten.

# POLSKI

---

Dziękujemy za wybranie naszego wentylatora sufitowego. Przed użyciem urządzenia i aby zapewnić jak najlepsze użytkowanie, prosimy o dokładne zapoznanie się z niniejszą instrukcją.

Środki ostrożności zawarte w tym dokumencie zmniejszają ryzyko śmierci, obrażeń i porażenia prądem, jeśli są właściwie przestrzegane. Instrukcję należy przechowywać w bezpiecznym miejscu do wykorzystania w przyszłości, wraz z pełną kartą gwarancyjną, dowodem sprzedaży i opakowaniem. Jeśli dotyczy, przekaż tę instrukcję następnemu właścicielowi urządzenia. Zawsze przestrzegaj podstawowych zasad bezpieczeństwa i środków zapobiegania wypadkom podczas korzystania z urządzenia elektrycznego. Nie ponosimy żadnej odpowiedzialności za naruszenie tych wymagań przez klienta.

---

## INSTRUKCJE BEZPIECZEŃSTWA

---

Podczas korzystania z jakiegokolwiek urządzenia elektrycznego należy zawsze przestrzegać podstawowych zasad bezpieczeństwa.

- To urządzenie nie jest przeznaczone do użytku przez osoby o ograniczonej niepełnosprawności fizycznej, sensorycznej lub umysłowej lub bez doświadczenia i wiedzy, chyba że znajdują się one pod nadzorem lub zostały poinstruowane w zakresie bezpiecznego użytkowania urządzenia i rozumieją związane z tym niebezpieczeństwa.
- Dzieci nie rozpoznają niebezpieczeństw, które mogą wystąpić podczas obsługi wentylatora sufitowego
- Trzymaj dzieci z dala od wentylatorów sufitowych.
- Nie wystawiaj wentylatora sufitowego na działanie deszczu lub wilgoci. Nie używaj wentylatora sufitowego na zewnątrz lub mokrymi rękami.

---

## WYMAGANIA DOTYCZĄCE LOKALIZACJI I INSTALACJI

---

### PROBLEMY MECHANICZNE

- Zgodnie z przepisami bezpieczeństwa najniższy punkt łopatki wentylatora musi znajdować się co najmniej 2,3 m (7 stóp) nad ziemią.
- Upewnij się, że wybrane miejsce nie pozwala na kontakt obracających się łopatek wentylatora z niczym.
- Upewnij się, że legary sufitowe są solidne, duże i wystarczająco mocne, aby utrzymać ciężar wentylatora.
- Aby zmniejszyć ryzyko pożaru, porażenia prądem lub obrażeń ciała, upewnij się, że wspornik montażowy wentylatora jest podłączony bezpośrednio do konstrukcji budynku. NIE montuj go w skrzynce rozdzielczej.
- Wspornik montażowy musi być mocno przykręcony do konstrukcji nośnej, na przykład do stropu betonowego, konstrukcji stalowej lub ramy drewnianej. W przypadku dodania drewnianej ramy należy ją mocno przybić gwoździami lub przykręcić między dwiema krokiewiami.
- Aby zmniejszyć ryzyko obrażeń ciała i uszkodzenia mienia, nie zginaj ani nie uszkadzaj pręta wentylatora ani łopatek podczas ich przenoszenia lub montażu.
- Upewnij się, że wentylator sufitowy jest bezpiecznie przymocowany do sufitu. Wszystkie śruby dociskowe należy sprawdzić iw razie potrzeby dokręcić przed uruchomieniem wentylatora.

## PROBLEMY ELEKTRYCZNE

- Zawsze wyłączaj zasilanie przed naprawą wentylatora sufitowego i wyłączaj wyłącznik, który zasila światło. Aby uniknąć możliwego porażenia prądem, upewnij się, że prąd jest wyłączony na skrzynce bezpieczników lub panelu wyłączników automatycznych przed podłączeniem przewodów.
- Wentylator, wspornik montażowy i zestaw oświetleniowy muszą być uziemione. Upewnij się, że wszystkie splatane połączenia są odpowiednio izolowane.
- Sprawdź i potwierdź, że wszystkie połączenia są prawidłowe i bezpieczne. Po wykonaniu wszystkich połączeń elektrycznych wszystkie kable należy przechowywać w uporządkowany sposób.
- Nie próbuj sterować wentylatorem za pomocą przełącznika ściennego lub pilota, który nie jest zatwierdzony przez producenta do użytku z tym wentylatorem. NIE używaj kontrolera półprzewodnikowego. Użycie niezatwierdzonego pilota lub przełącznika ściennego spowoduje unieważnienie gwarancji.
- Nie podłączaj wentylatora sufitowego do ściemniacza lub ściemniacza.

## PRZESTROGI I OSTRZEŻENIA

- Używaj tylko części zamiennych CREATE.
- Aby zmniejszyć ryzyko obrażeń ciała, należy podłączyć wentylator bezpośrednio do konstrukcji wsporczej budynku zgodnie z niniejszą instrukcją i używać wyłącznie dostarczonego sprzętu.
- Aby uniknąć możliwego porażenia prądem, przed zainstalowaniem wentylatora odłącz zasilanie, wyłączając wyłączniki w skrzynce gniazdowej i powiązany przełącznik ścienny.
- Całe okablowanie musi być zgodne z krajowymi i lokalnymi przepisami elektrycznymi oraz ANSI/NFPA 70. Jeśli nie znasz okablowania, skontaktuj się z wykwalifikowanym elektrykiem.
- Aby zmniejszyć ryzyko obrażeń ciała, nie zginaj systemu mocowania łopatek podczas instalacji, wyważania lub czyszczenia wentylatora. Nigdy nie wkładaj ciała obcych między obracające się łopatki wentylatora.
- Aby zmniejszyć ryzyko pożaru, porażenia prądem lub uszkodzenia silnika, nie należy używać z tym wentylatorem półprzewodnikowego regulatora prędkości. Używaj tylko elementów sterujących prędkością CREATE

**Notatka:** Ważne środki ostrożności i instrukcje zawarte w niniejszej instrukcji nie obejmują wszystkich możliwych warunków i sytuacji, które mogą wystąpić. Należy rozumieć, że zdrowy rozsądek i ostrożność są niezbędnymi czynnikami przy instalacji i eksploatacji tego wentylatora.

## LISTA CZĘŚCI



Uchwyt  
montażowy



Floron



Zaczep  
ostrza



Cholewka



Ostrza



Kołki  
rozporowe



Silnik



Tulipany

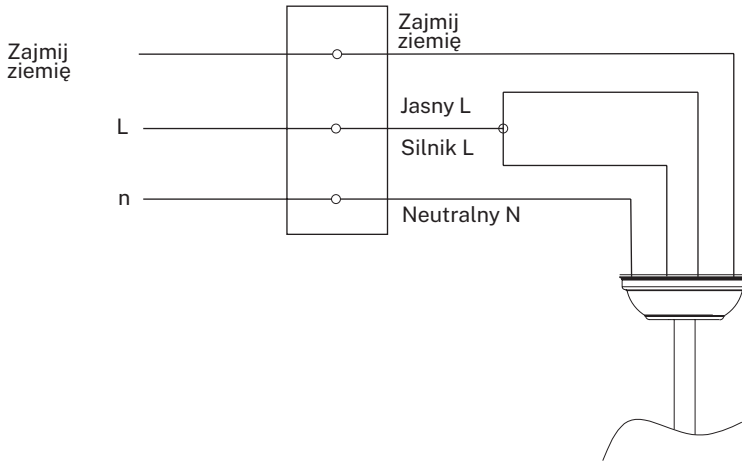


Więzy



## POŁĄCZENIE ELEKTRYCZNE

- Wykonaj połączenie między przewodami instalacji elektrycznej domu a przewodami silnika wentylatora, postępując zgodnie z poniższymi instrukcjami.

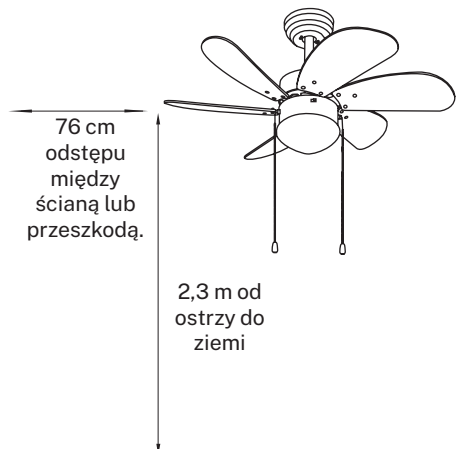


## INSTRUKCJE INSTALACJI

- Zaznacz prawidłowe położenie otworów i zamocuj wspornik montażowy za pomocą śrub z metalowymi kołkami lub śrub i podkładek odpowiednich do wybranego rodzaju sufitu.
- Przed zawieszeniem wentylatora sprawdź poprawność montażu wspornika. Ta płyta musi podtrzymywać cały ciężar wentylatora.

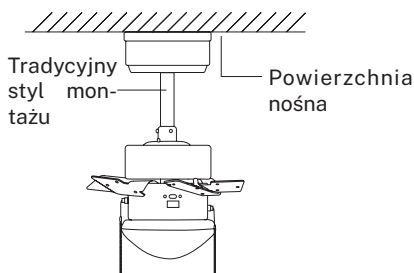
### PRZYGOTOWANIE INSTALACJI

- Aby uniknąć obrażeń ciała i uszkodzeń, upewnij się, że miejsce do zawieszenia ostrzy pozostawia odstęp 2,3 m od podłoża i 76 cm od wszelkich ścian lub przeszkód.
- Upewnij się, że wspornik montażowy jest bezpiecznie przymocowany do konstrukcji budynku i może utrzymać cały ciężar wentylatora.

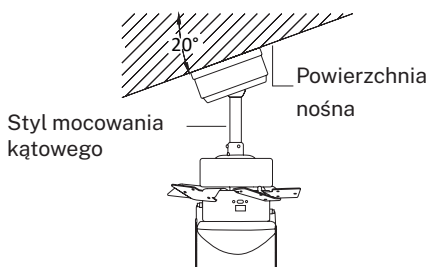


## PO INSTALACJI

- Odkręć śrubę sztycy, wyjmując kołek i przetóż zwińczenie (formowanie korony) i maskę przez wieszak. Następnie poprowadź przewody silnika wentylatora przez wnętrze wieszaka. Dokręć wieszak do silnika i włóż śrubę i kołek.



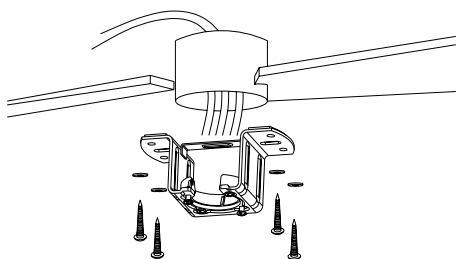
Standardowy uchwyt zwisa z sufitu za pomocą drążka.



Montaż pod kątem jest zalecany w przypadku sufitu sklepionego lub pod kątem.

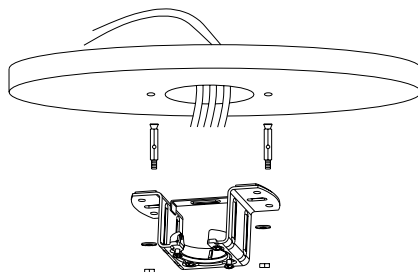
## MOCOWANIE WSPORNIKA MONTAŻOWEGO

- Skrzynka wylotowa i belka muszą być bezpiecznie zamontowane i zdolne do niezawodnego utrzymania co najmniej ciężaru wentylatora.



### Dach drewniany

Bezpiecznie przymocuj wspornik montażowy za pomocą wkrętów do drewna i podkładek do połączeń sufitowych.

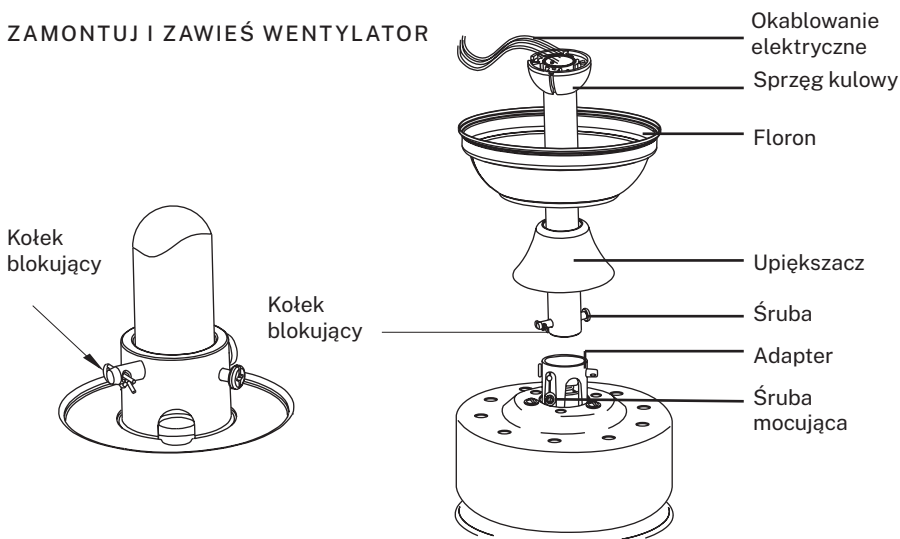


### Sufit betonowy

Wywierć otwory wiertłem 8mm w zależności od długości wkrętów rozporowych. Następnie przymocuj wspornik montażowy do sufitu za pomocą wkrętów rozporowych.

Nie mocuj wspornika montażowego bezpośrednio do sufitu o grubości mniejszej niż 10 mm, aby uniknąć ryzyka poluzowania śruby.

## ZAMONTUJ I ZAWIEŚ WENTYLATOR



- Jeśli chcesz wydłużyć długość zawieszenia wentylatora, musisz usunąć wiszącą kulę z dostarczonego pręta, aby użyć jej z prętem przedłużającym (w zestawie).

(Jeśli chcesz użyć pręta, postępuj zgodnie z poniższymi instrukcjami.)

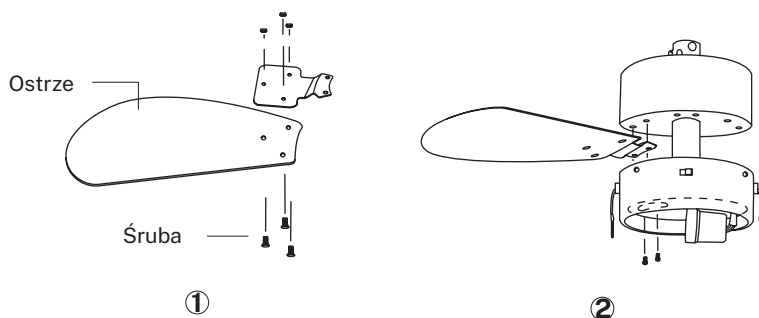
- Aby zdjąć wiszącą kulę, poluzuj śrubę dociskową wiszącej kuli i wyjmij kołek i śrubę. Opuść wiszącą kulę i wyjmij kołek blokujący. Wsuń wiszącą kulę z oryginalnego drążka i zsuń ją w dół najdłuższego drążka (należy zauważyć, że górna część drążka ma otwór na śrubę ustalającą, użyj tego otworu podczas wkładania śruby ustalającej).
- Włóż kołek blokujący do górnej części przedłużonego pręta i podnieś wiszącą kulę.
- Upewnij się, że kołek blokujący jest wyrównany z otworami po wewnętrznej stronie wiszącej kuli, mocno dokręć śrubę ustalającą.

**Wskazówka:** Aby ułatwić wprowadzanie drutów do pręta, owiń je taśmą izolacyjną. Pomoże to utrzymać je razem, gdy włożysz je do paska.

- Poluzuj śruby dociskowe i podkładkę na górze obudowy silnika. Usuń szpilki z paska (jeśli jeszcze tego nie zrobiłeś). Włóż rozetę przez pręt.
- Przełóż kable przez szynę i wyciągnij nadmiar kabli z górnej części szyny, aby je dokręcić.
- Umieść pręt w obudowie silnika i włóż wyjęte wcześniej kołki. Dokręć śruby dociskowe i podkładki.
- Opuść płetwę do obudowy silnika.

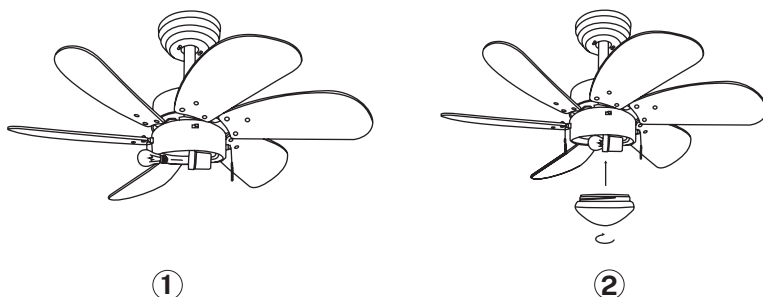
## ZESPÓŁ OSTRZA

Wyrównaj otwory we wsporniku ostrza z otworami w ostrzach i korpusie silnika i wkręć je na miejsce, ale nie dokręcaj śrub, dopóki wszystkie nie znajdą się na swoim miejscu i nie zostaną wkręcone.



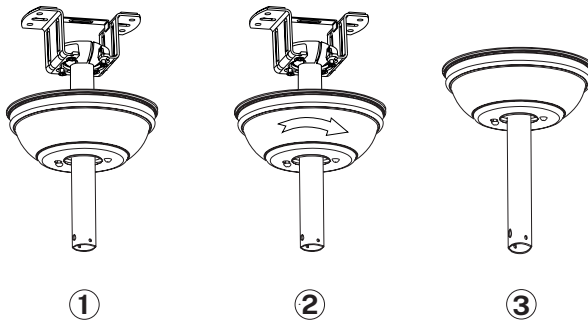
- Sprawdź poprawność działania wentylatora sufitowego, sprawdzając, czy nie ma dziwnych ruchów lub niewspółosiowości w żadnej części wentylatora.
- W przypadku pojawienia się wszelkiego rodzaju buczenia/wibracji, można przystąpić do regulacji ostrzy za pomocą zestawu antypoślizgowego.
- Zestaw antypoślizgowy posiada samoprzylepne ciężarki i klipsy w kształcie litery U.
- Wyłącz wentylator sufitowy.
- Możesz umieścić klips na środku dowolnego ostrza i sprawdzić, czy drgania się zmniejszają.
- Włącz wentylator i sprawdź. Jeśli nie ma zmian, wyłącz wentylator i dodaj kolejny.

## INSTALOWANIE ZESTAWU OŚWIETLENIOWEGO



- Zainstaluj żarówkę (brak w zestawie).
- Przymocuj klosz do silnika, wkładając szklaną szyjkę do oprawy oświetleniowej, utrzymując dwa zaciski sprężynowe wewnątrz szklanej szyjki. Pociągnij klosz szklany w kierunku trzeciego zacisku sprężynowego. Wciśnij trzeci zacisk, aby zmieścił się w szkło i popchnij szkło w kierunku uchwytu.
- Zamontuj ozdobny brelok i łańcuszki przedłużające z torby na sprzęt do łańcuszków wentylatora, wkładając koniec łańcuszka do ogniwa łańcuszka. Upewnij się, że łańcuszki są zabezpieczone, pociągając lekko za oba łańcuszki na sprzęgu.

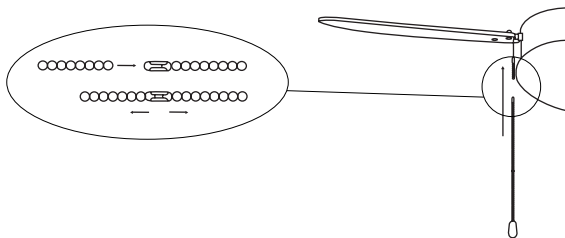
## MONTAŻ ROZETY



- Podnieś rozetę do wspornika montażowego i wyrównaj poluzowane śruby wspornika montażowego z otworami w rozecie.
  - Obróć płetwę, aby dostosować. Ponownie wkręć śruby i zabezpiecz śrubokrętem.
  - Po przymocowaniu wspornika montażowego do skrzynki przyłączeniowej można przystąpić do zawieszenia wentylatora.
  - Trzymaj mocno wentylator obiema rękami. Przełóż pręt przez otwór wspornika montażowego i pozwól kulce spocząć na wsporniku montażowym.
  - Obróć zaczep kulowy, aż zrówna się z wypustką na wsporniku montażowym.
- **Wskazówka:** Ktoś inny powinien pomóc ci utrzymać drabinę i wręczyć ci wentylator po wejściu na nią.

### Montaż łańcuchowy

Zaczepek kołek na końcu łańcucha w otworze i pociągnij, aby go dokręcić. Następnie możesz włączyć go do prądu i cieszyć się nowym wentylatorem.



Zgodnie z dyrektywami: 2012/19 / UE i 2015/863 / UE w sprawie ograniczenia stosowania niebezpiecznych substancji w sprzęcie elektrycznym i elektronicznym, a także ich usuwania. Symbol z przekreślonym pojemnikiem na śmieci pokazany na opakowaniu oznacza, że produkt pod koniec okresu użytkowania będzie zbierany jako osobny odpad. Dlatego każdy produkt, który osiągnął koniec okresu użytkowania, musi zostać dostarczony do wyspecjalizowanych centrów usuwania odpadów w celu selektywnej zbiórki zużytego sprzętu elektrycznego i elektronicznego lub zwrócony do sprzedawcy przy zakupie podobnego nowego sprzętu, w jednym dla jednej bazy. Właściwa selektywna zbiórka w celu późniejszego uruchomienia sprzętu przeznaczonego do recyklingu, obróbki i utylizacji w sposób przyjazny dla środowiska pomaga zapobiegać potencjalnym negatywnym skutkom dla środowiska i zdrowia oraz optymalizuje recykling i ponowne użycie elementy składające się na urządzenie. Niewłaściwe usunięcie produktu przez użytkownika oznacza nałożenie sankcji administracyjnych zgodnie z prawem.







# CREATE