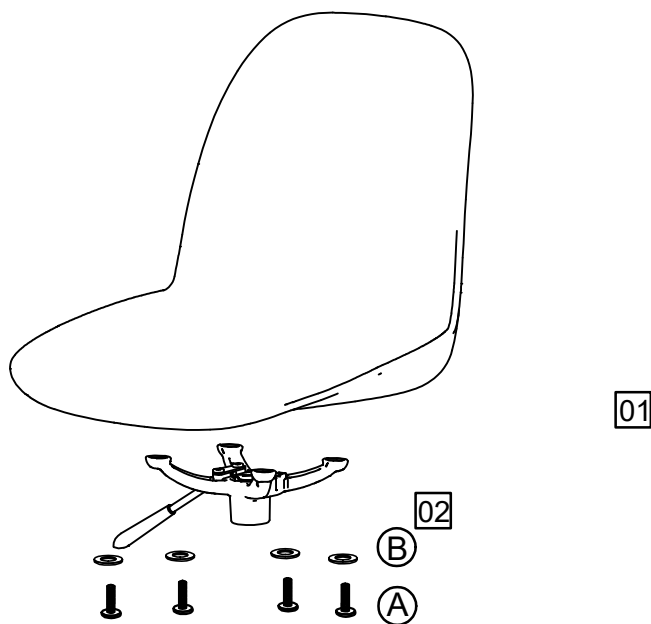
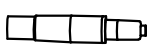


1.



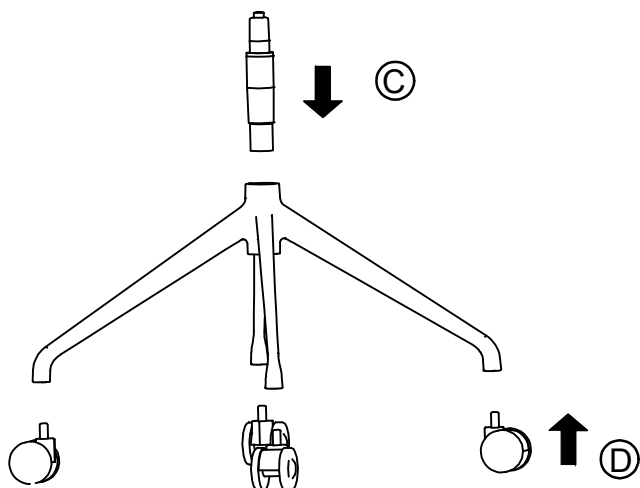
(A)  M6 *16 x 4

(B)  ϕ 13-6.5*1.5 x 4

(C)  x1

(D)  x4

2.



COMPONENT CHECKLIST

| PART | No. | Qty. |
|-------|-----|------|
| Seat | 01 | 1 |
| Plate | 02 | 1 |
| Leg | 03 | 1 |

TOOLS REQUIRED



Allen key (supplied)

