

# D 140.4, D-PG 140.4 E 145.4 , E 150.2, E 160.1 Instructions for use



The instruction consists of 3 parts. Part 1:3 Safety Instructions. Part 2:3 User Guide. Part 3:3 Technical Data and Declaration.

## Part 1:3 - Safety Instructions



Before first use of the machine, read the instructions carefully. Save instructions for later use.

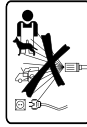


Safety instructions marked with this symbol must be observed to prevent personal injury or serious damage to property.

### WARNING

⚠ This machine has been designed for use with cleaning agents supplied or recommended by Nilfisk. The use of other cleaning agents or chemicals may adversely affect the safety of the machine.

⚠ High pressure jets can be dangerous if subject to misuse. The jet must not be directed at persons, live electrical equipment or the machine itself.



⚠ Do not use the machine within range of persons unless they wear protective clothes.

⚠ Do not direct the jet against yourself or others in order to clean footwear.

⚠ Risk of explosion – Do not spray flammable liquids. ⚠ High pressure washers shall not be used by children or untrained personnel.

⚠ High pressure hoses, fittings and couplings are important for the safety of the machine. Use only hoses, fittings and couplings recommended by Nilfisk.

⚠ To ensure machine safety, use only original spare parts recommended by Nilfisk.

⚠ Water that has flown through back-flow preventers is considered to be non-potable.

⚠ Don't use the machine if a supply cord or important parts of the machine are damaged, e.g. safety devices, high pressure hoses, trigger gun.

⚠ Inadequate extension cords can be dangerous. If an extension cord is used, it shall be suitable for outdoor use, and the connection has to be kept dry and off the ground. It is recommended that this is accomplished by a cord reel which keeps the socket at least 60 mm above the ground.

⚠ Switch off and unplug the machine when leaving it unattended, when finished using it or when converting it to another function, when doing repair and maintenance.

⚠ During use of high pressure washers, aerosols may be formed. Inhalation of aerosols can be hazardous to health, for the protection against aerosols a respiratory mask of class FFP 2 or equivalent may be needed, depending on the cleaning environment.

### Intended Use and Terms of Liability

- The C-, D-, E- and P-series have been developed for domestic cleaning purposes only and for use in an upright position. Any other use is considered as improper use.
- A high pressure washer operates with different levels of pressure and cleaning detergents for various cleaning tasks and results. Always follow instructions on detergents for use, emergency and disposal.
- Do not operate the machine at temperatures below 0°C. Never start a frozen machine, never use it indoor and never cover it during use. This is considered improper and wrongful use. Use of wrongful pressure, detergent and/or applications may cause damage to machine, surfaces, material and devices.

All of the above is considered improper and wrongful use. Nilfisk accepts no liability for any damage resulting from any improper or wrongful use.

Please refer to our website at [www.get-started.nilfisk.com](http://www.get-started.nilfisk.com) for further instructions and information on use, emergency and disposal.

### Safety devices and their functioning

The machine automatically stops when releasing the trigger. The machine will start again when re-activating the trigger. The spray handle features a locking device. When activated, the spray handle cannot be operated.

The machine has an automatic self-resetting thermal protector. If the machine is overheated, the thermal protector will cut the power supply. In this case, wait for the machine to cool down. An integrated hydraulic safety valve protects the system from excessive pressure.

### Precautions

The electric supply connection shall be made by a qualified electrician and comply with IEC 60364-1. It is recommended that the electric supply to this machine should include either a residual current device that will interrupt the supply if the leakage current to earth exceeds 30 mA for 30 ms or a device that will prove earth circuit.

- Use motor start/delayed fuses with characteristic D according to IEC 947-2 or corresponding standards outside IEC.
- If the supply cord is damaged, it must be replaced by an authorized Nilfisk distributor or similar qualified person in order to avoid a hazard.
- No actions needed for adjusting machines marked with dual voltage and frequency.
- Supervise children not to play with the machine.

- The operator and any one in the immediate vicinity of the site for cleaning should take action to protect oneself from being struck by debris dislodged during operation.
- Always wear safety boots, respiratory mask, ear protection, goggles and protective clothing during operation.
- The high pressure generated by the machine is a particular source of danger. Hold the spray lance firmly with both hands. The spray lance is affected by a kickback force and a sudden torque during operation.
- See PART 3:3 for the actual size of the kickback force.
- During transportation: Position the machine horizontally on the backside and secure with straps.

#### Within EU

- High pressure washers shall not be used nor maintained by children. The machine can be used by people with reduced physical, sensory or mental capabilities or lack of experience and knowledge if given supervision or instructions concerning use of the machine in a safe way and understands the hazards involved.

#### Outside EU

- High pressure washers shall not be used nor maintained by children or untrained people or people with reduced physical, sensory or mental capabilities or lack of experience and knowledge.


## Part 2:3 - User Guide

Provides a general overview of the machine and operation elements along with illustrated sections on preparation, operation, water connection, storage, and user maintenance.

### A Unpacking and preparing for use

Follow illustrations in A.

### B Connection to potable water mains

 High pressure washers are not suitable for connection to the potable water mains. Always check national regulations before connecting the machine to potable water mains and use a back-flow preventer if required.

- Use ½" garden hose, 10-25 m.
- Follow illustrations in B.

### C Connection to other water sources

You can connect the machine to e.g. rain water vessels, rivers, lakes and cisterns etc. and operate it in suction mode. Follow illustrations in C.

### D Pairing of spray handle and machine

C-PG and D-PG series only. After battery insert, D1.1, you have 2 min. to pair spray handle and machine. The light will flash orange when searching for the machine. When paired, the light will turn off. Follow illustrations D1.1 to D1.5. If pairing aborts, do pairing according to illustrations D2.1 to D2.5. Power regulation is indicated by green light, see illustration D3.1 and D3.2.

### E Leaving the machine unattended > 5 min.

 See listed warnings. Follow the illustrations in E.


### F After use and storage

After use always: Turn off the machine. Empty machine and accessories of water to avoid frost damage. Remove the plug from socket. Disconnect water inlet hose. Wind up electrical cable and high pressure hose to avoid damage of cable, high pressure hose and fittings. Storage of machine shall be frost free.

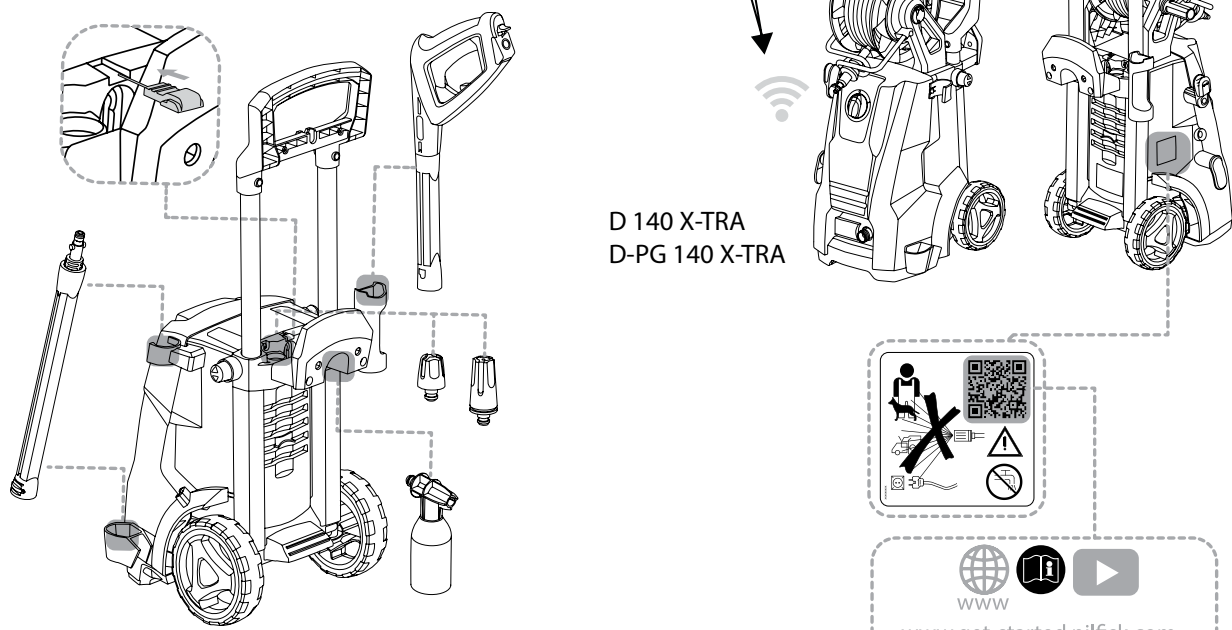
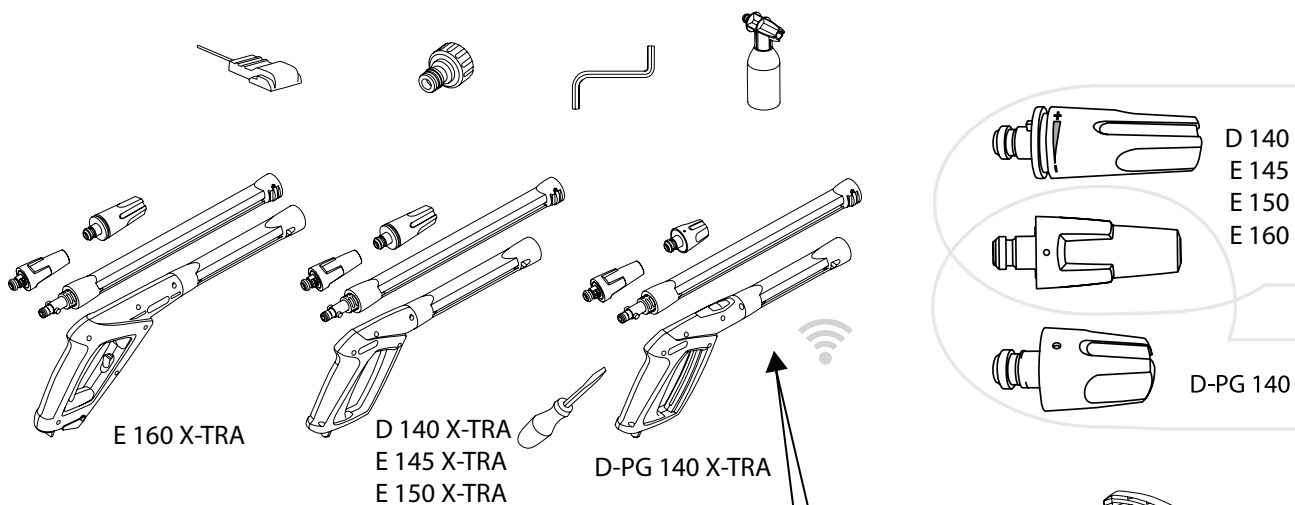
- Follow illustrations in F.

### G Maintenance, inspection and repair

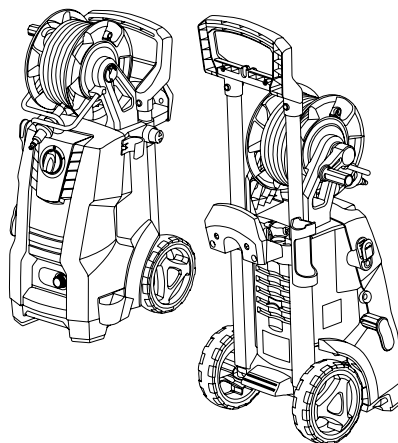
Maintenance of the machine should always be done when starting up after long time of storage.

 Before use, always inspect the machine and equipment for damages. In case of damages, act according to listed warnings.

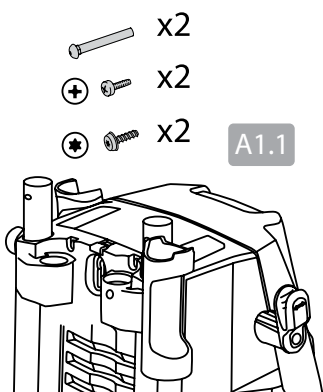
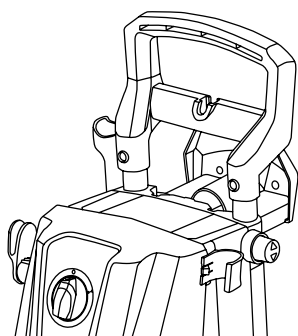
- Do not attempt any maintenance not described in the instructions. If the machine refuses to start, stops, pulsates, pressure fluctuates, motor buzzes, fuse blows or no water comes out, check the trouble shooting diagram at our website [www.get-started.nilfisk.com](http://www.get-started.nilfisk.com). Any repair should always be made in Nilfisk authorized workshop with original Nilfisk spare parts.
- User maintenance according to illustrations in G.



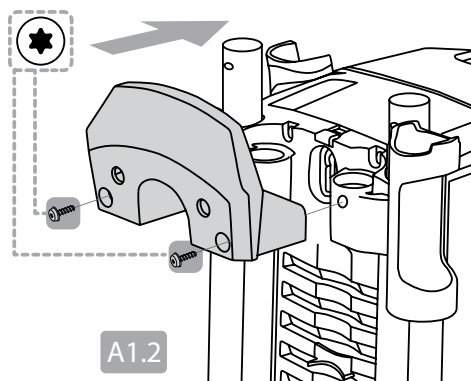
E 145 X-TRA  
E 150 X-TRA  
E 160 X-TRA



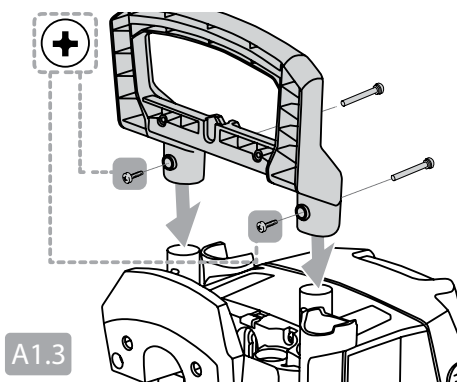
A



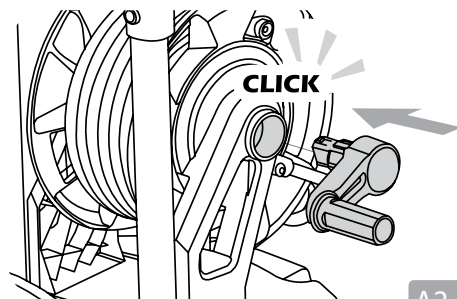
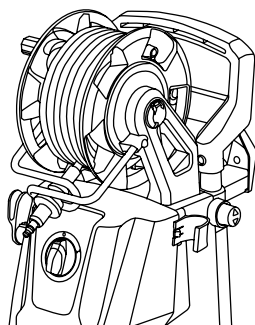
A1.1



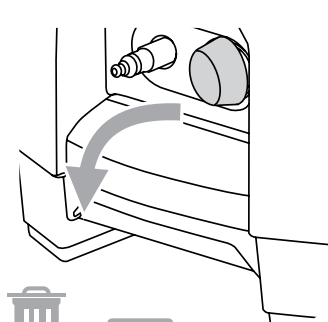
A1.2



A1.3

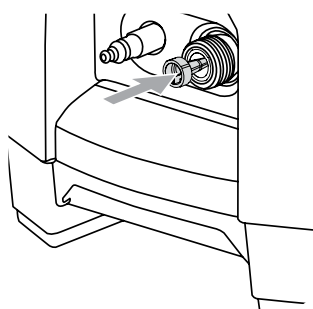


A2.1



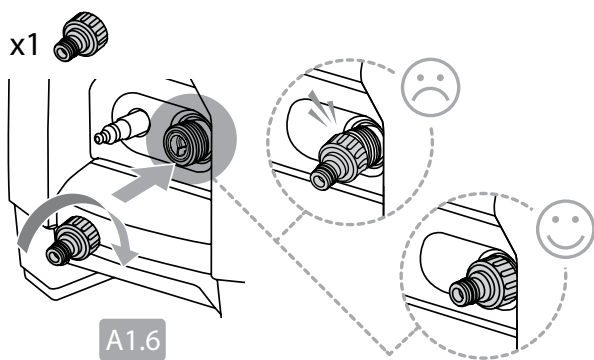
A1.4

A2.2



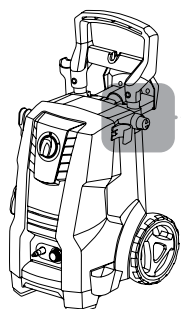
A1.5

A2.3

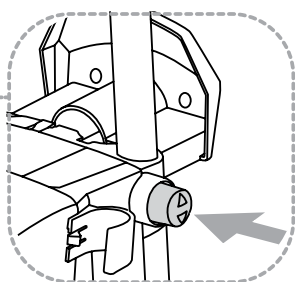


A1.6

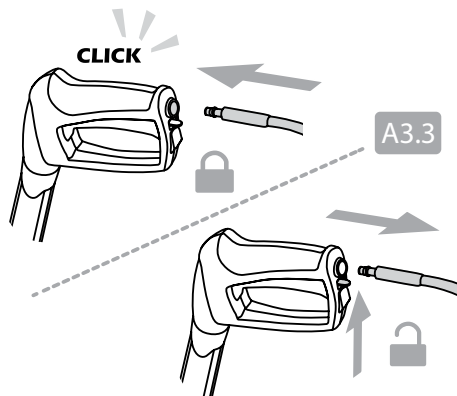
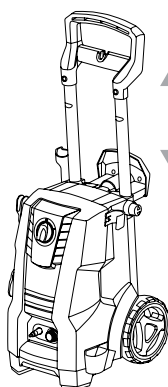
A2.4



A3.1

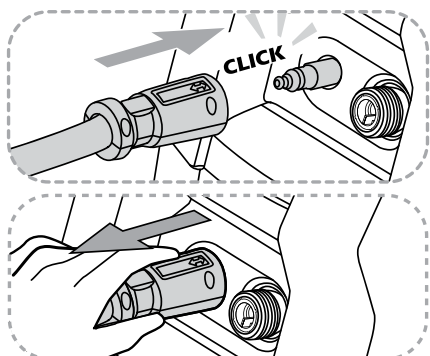


A3.2

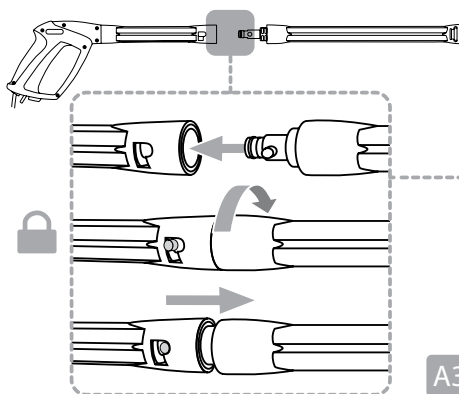


A3.3

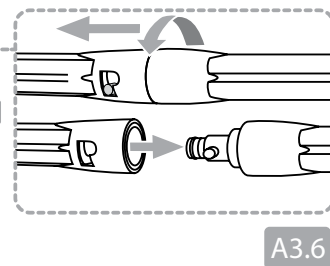
A



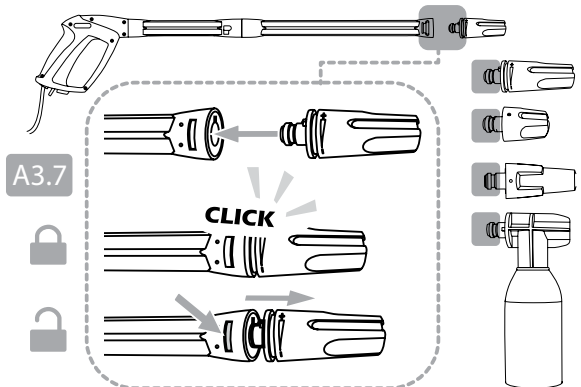
A3.4



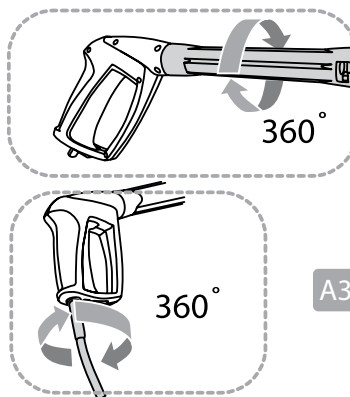
A3.5



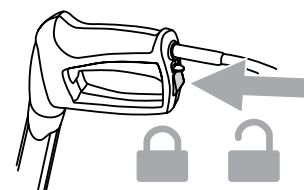
A3.6



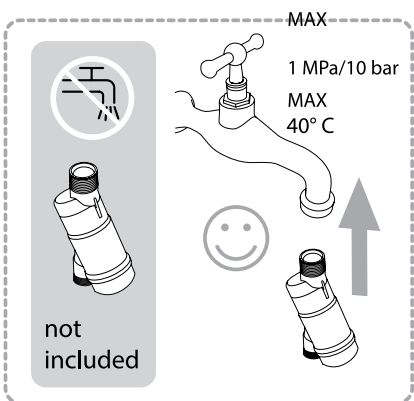
A3.7



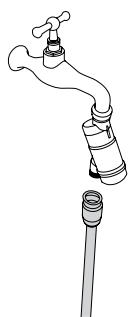
A3.8



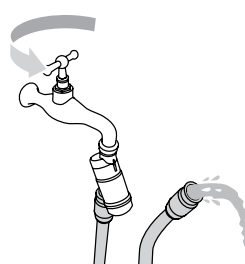
B



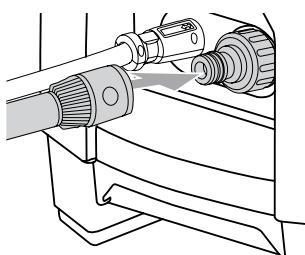
B1.1



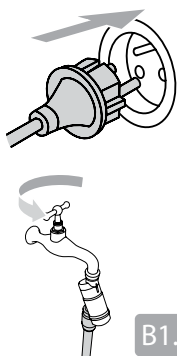
B1.2



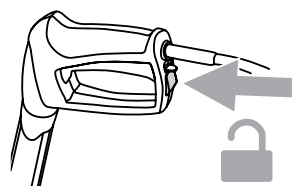
B1.3



B1.4

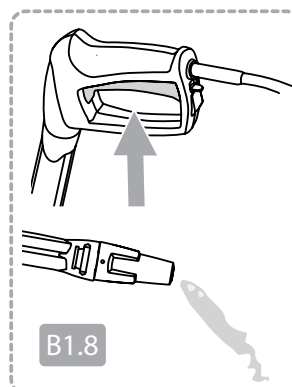


B1.5



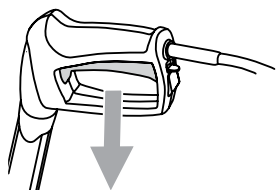
B1.6

B1.7

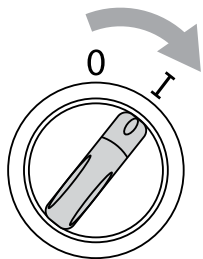


B1.8

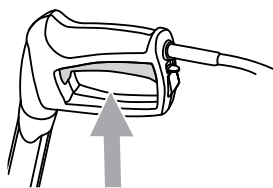
# B



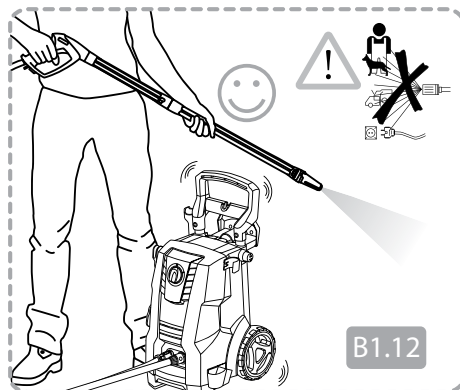
B1.9



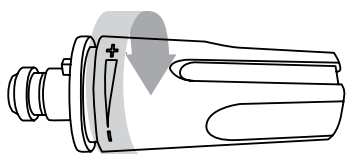
B1.10



B1.11

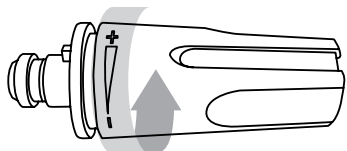


B1.12

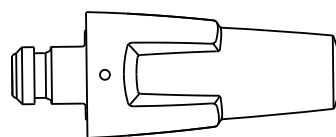


B2.1

MPa  
bar



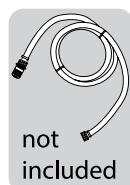
MPa  
bar



B2.2



# C



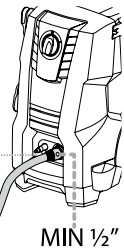
not  
included



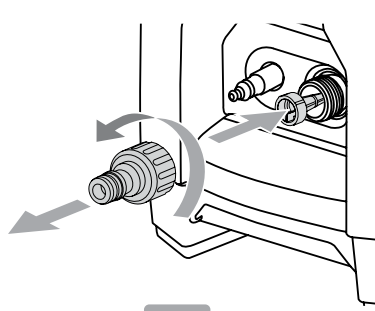
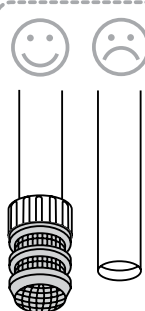
MAX 3m

MAX 1m

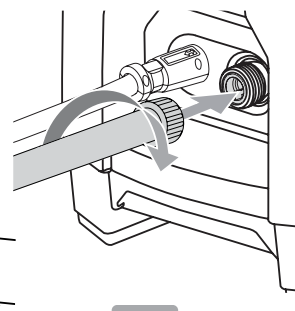
MAX 20°C



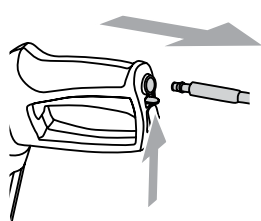
MIN 1/2"



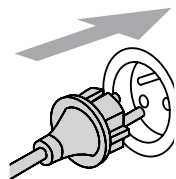
C1.1



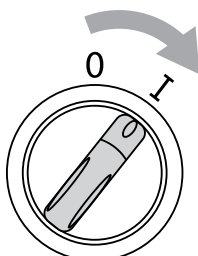
C1.2



C1.3



C1.4



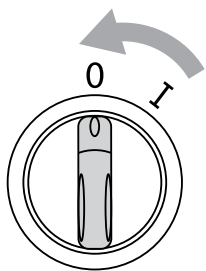
C1.5

MAX 2min

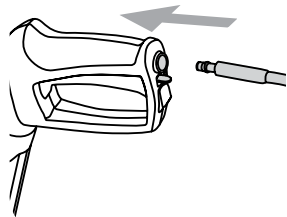


C1.6

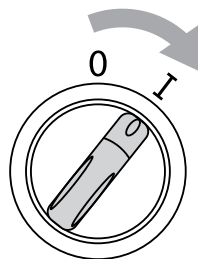
# C



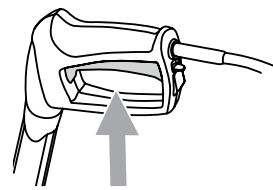
C1.7



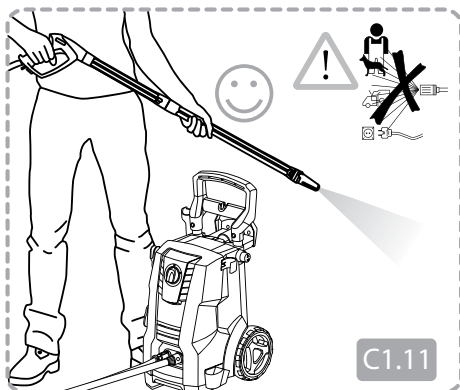
C1.8



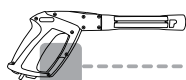
C1.9



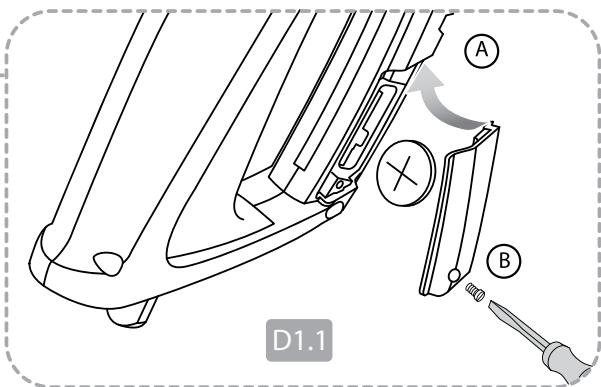
C1.10



# D



D-PG 140

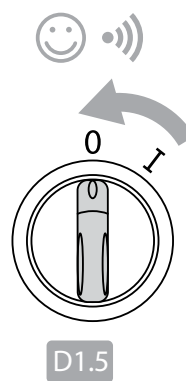
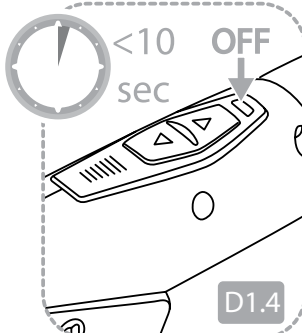
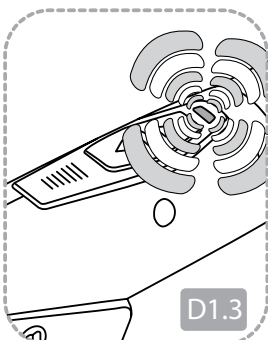
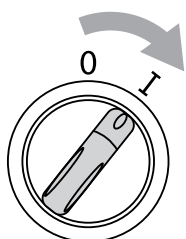


D1.1

start



D1.2



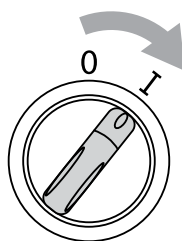


# D

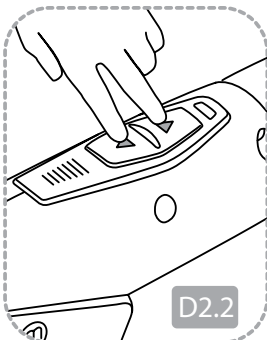


start

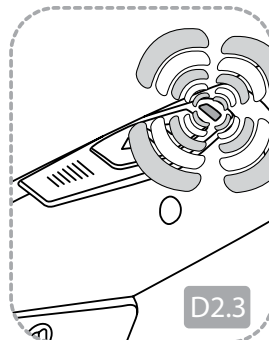
max  
2min



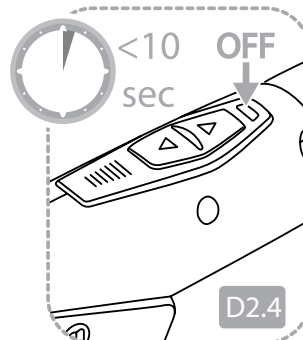
D2.1



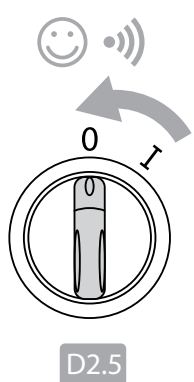
D2.2



D2.3



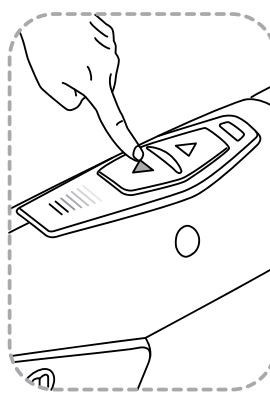
D2.4



D2.5



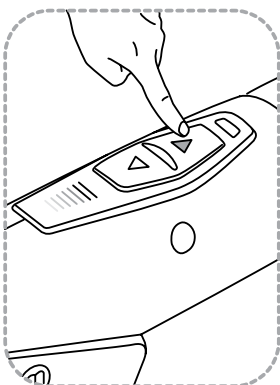
D1.6  
D2.6



MPa  
bar



D3.1



MPa  
bar

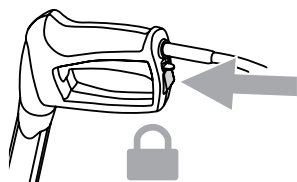


D3.2

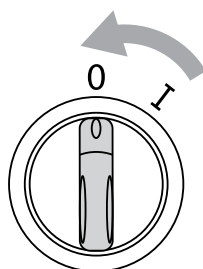
# E



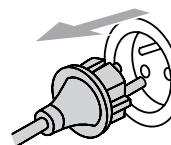
>5min



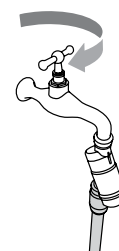
E1.1



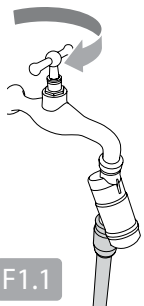
E1.2



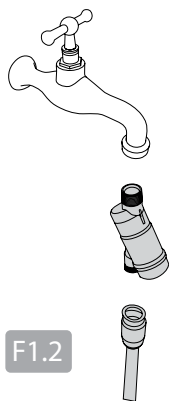
E1.3



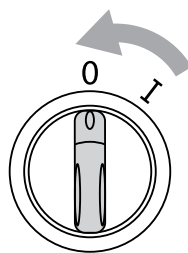
E1.4



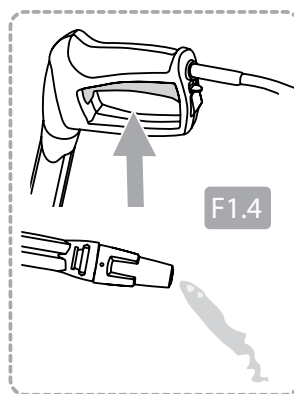
F1.1



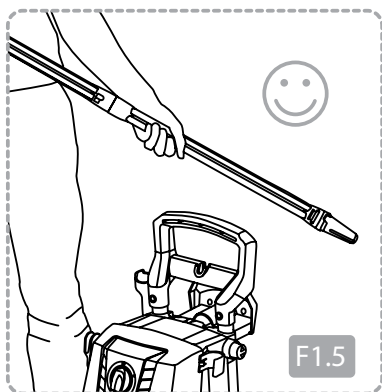
F1.2



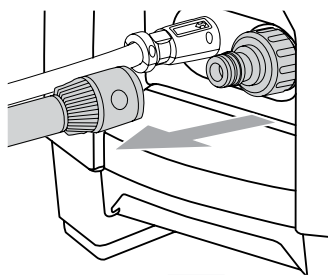
F1.3



F1.4



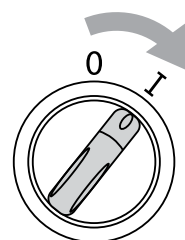
F1.5



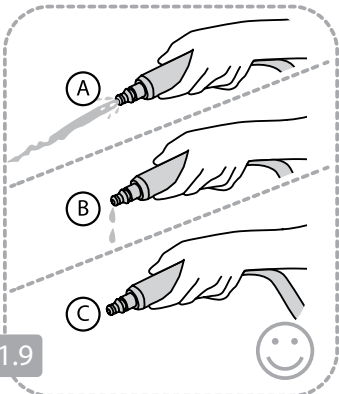
F1.6



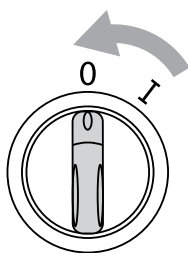
F1.7



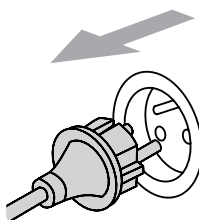
F1.8



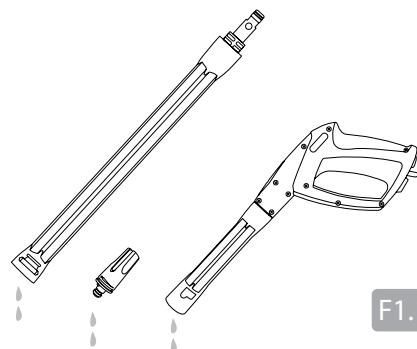
F1.9



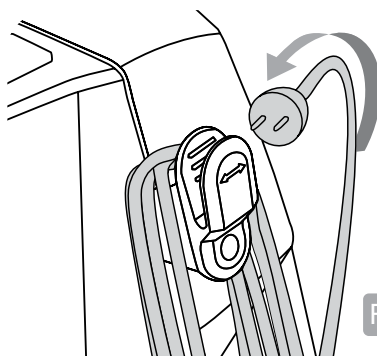
F1.10



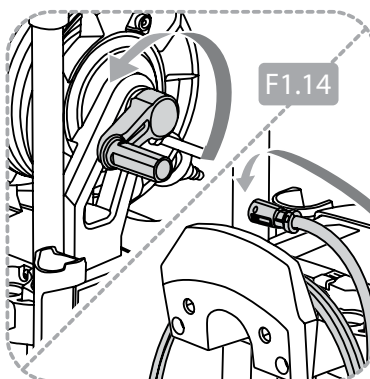
F1.11



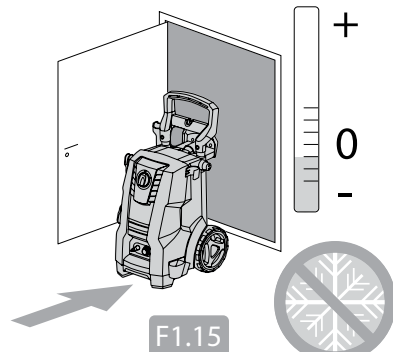
F1.12



F1.13



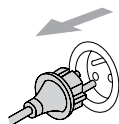
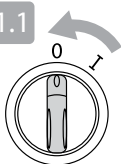
F1.14



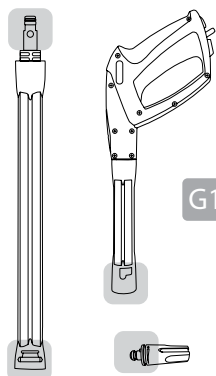
F1.15



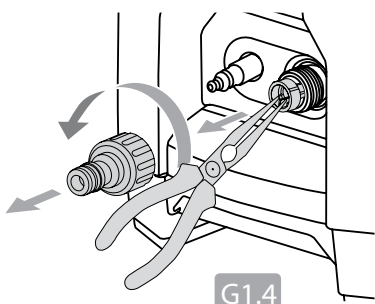
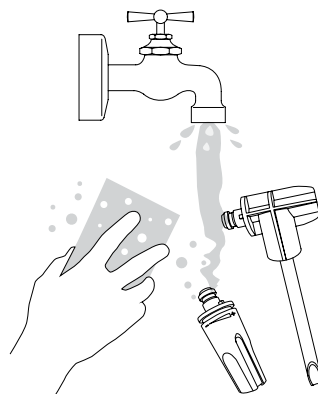
G1.1



G1.2



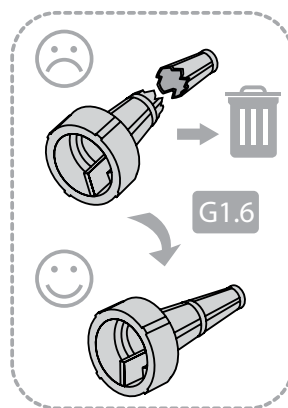
G1.3



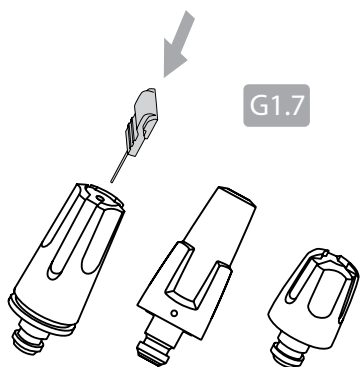
G1.4



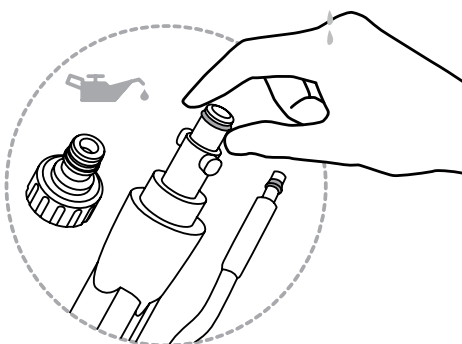
G1.5



G1.6



G1.7





128500938  
Super Foam Sprayer



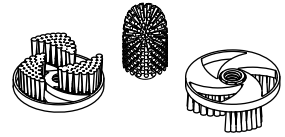
128470456  
Multi Brush



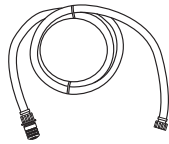
106411177  
BA-Valve



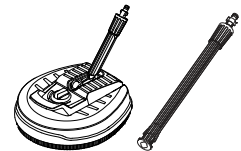
128470459  
Multi Brush  
Kit



128500673  
Inlet Suction Hose



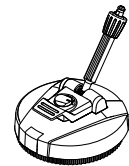
128500955  
Power Patio



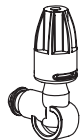
6411131  
Click&Clean  
Auto Brush



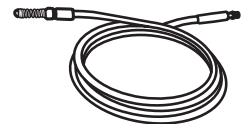
128500702  
Patio



6411135  
Click&Clean  
Underchassis Nozzle



6410766  
Drain & Tube  
Cleaner - 15 m



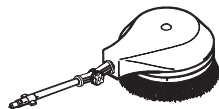
6411136  
Click&Clean  
Auto Nozzle



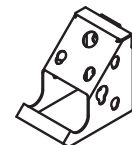
128470040  
Roof Cleaner



6410762  
Rotary Brush



126411387  
Wall Bracket



## Part 3:3 - Technical Data and Declaration of Conformity

### Technical Data

		D 140.4 D-PG 140.4	E 145.4	E 150.2	E 160.1
Electric specifications	U <sub>nom</sub>	230-240 V			
	f <sub>nom</sub>	50 Hz			
	P <sub>nom</sub>	2.4 kW	2.1 kW		2.3 kW
	I <sub>nom</sub>	10 A	9.5 A	10 A	10.5 A
Protection Class	Class I/Class II	Class I			
Protection degree	IP XX	IP X5			
Hydraulic specifications	P <sub>nom</sub>	13.5 MPa / 135 bar	13.0 MPa / 130 bar	14.0 MPa / 140 bar	14.5 MPa / 145 bar
	P <sub>max</sub>	14.0 MPa / 140 bar	14.5 MPa / 145 bar	15.0 MPa / 150 bar	16.0 MPa / 160 bar
	Q	7.0 l/min / 420 l/h	7.0 l/min / 420 l/h	6.7 l/min / 400 l/h	6.8 l/min / 410 l/h
	Q <sub>max</sub>	8.3 l/min / 500 l/h			
Max. water inlet pressure	P <sub>inlet max</sub>	1 Mpa / 10 bar			
Max water inlet temperature	t <sub>inlet max</sub>	40° C			
Max water inlet temp. suction mode	t <sub>inlet max</sub>	20° C			
Kick-back force	F <sub>kickback</sub>	19.2 N	19.2 N	18.4 N	19.3 N
Weight	M <sub>machine</sub>	13.8 kg	18.6 kg	19.8 kg	20.6 kg
Hand-arm vibration according to: Standard nozzle	a <sub>ha</sub>	< 2.5 ± 1 m/s <sup>2</sup>			
Sound pressure level LpA	LpA <sub>standard</sub>	77.2 ± 2 dB(A)	71.8 ± 2 dB(A)		
Guaranteed sound power level LWA	LWA <sub>standard</sub>	92 dB(A)	86 dB(A)		

We reserve the right to make alterations.



EU / UE / EL / EC / EE / ES / EÜ / AB

**Declaration of Conformity**

Prohlášení o shodě  
Konformitätserklärung  
Overensstemmelseserklæring  
Declaración de conformidad  
Vastavusdeklaratsioon  
Déclaration de conformité  
Vaatimustenmukaisuusvakuutus

Декларация за съответствие  
Δήλωση συμμόρφωσης  
Megfelelősségi nyilatkozat  
Izjava o skladnosti  
Dichiarazione di conformità  
Atitikties deklaracija  
Atbilstības deklarācija  
Samsvarserklæring  
Conformiteitsverklaring

Declaração de conformidade  
Deklaracja zgodności  
Declaratie de conformitate  
Декларация о соответствии  
Försäkran om överensstämmelse  
Vyhlásenie o zhode  
Izjava o skladnosti  
Uygunluk beyanı

**Manufacturer** / Výrobce / Hersteller / Fabrikant / Fabricante / Κατασκευαστής /  
Gyártó / Proizvođač / Fabbicante / Gamintojas / Ražotājs / Produzent / Fabrikant /  
Fabricante / Producent / Producător / производитель / Tillverkaren / Výrobca /  
Proizvajalec / Üretici firma:

**Nilfisk A/S, Kornmarksvej 1  
DK-2605 Broendby, DENMARK**

**Product** / Produkt / Producto, Toode, Produit, Tuote / Продукт /  
Προϊόν / Termék / Proizvod / Prodotto / Produktas / Produkts /  
Artikel / Produtos / Produs / Izdelek / Ürün

**D 140.4, D-PG 140.4\*, E145.4, E150.2, E160.1**

**Description** / Popis / Beschreibung / Beskrivelse / Descripción /  
Kirjeldus / La description / Kuvaus / Описание / Περιγραφή / Leirás /  
Opis / Descrizione / Aprašymas / Apraksts / Beschrijving / Descrição /  
Descriere / Beskrivning / Popis / Açıklama

**HPW - Consumer w/ wireless remote\*  
230-240V 50Hz, IPX5**

**EN** We, Nilfisk hereby declare under our sole responsibility, that the above mentioned product(s) is/are in conformity with the following directives and standards.

**BG** Ние, Nilfisk С настоящото декларираме на своя лична отговорност, че посочените по-горе продуктът е в съответствие със следните директиви и стандарти.

**PT** Nós, a Nilfisk declaramos, sob nossa exclusiva responsabilidade, que o produto acima mencionado está em conformidade com as diretrizes e normas a seguir.

**CS** My, Nilfisk prohlašujeme na svou výlučnou odpovědnost, že výše uvedený výrobek je ve shodě s následujícími směrnici a normami.

**EL** Εμείς, Nilfisk δηλώνουμε με αποκλειστική μας ευθύνη, ότι το προαναφερόμενο προϊόν συμμορφώνεται με τις ακόλουθες οδηγίες και πρότυπα.

**PL** My, Nilfisk Niniejszym oświadczamy z pełną odpowiedzialnością, że wyżej wymieniony produkt jest zgodny z następującymi dyrektywami i normami..

**DE** Wir, Nilfisk erklären in alleiniger Verantwortung, dass das oben genannte Produkt den folgenden Richtlinien und Normen entspricht.

**HU** Mi, Nilfisk kijelentjük, egyedüli felelősséggel, hogy a fent említett termék megfelel az alábbi irányelveknek és szabványoknak

**RO** Noi, Nilfisk Prin prezenta declarăm pe propria răspundere, că produsul mai sus menționat este în conformitate cu următoarele standarde și directive.

**DA** Vi, Nilfisk erklærer hermed under eget ansvar at ovennævnte produkt(er) er i overensstemmelse med følgende direktiver og standarder.

**HR** Mi, Nilfisk Izjavljujemo pod punom odgovornošću, da gore navedeni proizvod u skladu sa sljedećim direktivama i standardima.

**RU** Ми, Нилфиск овим изјављујем под пуном одговорношћу, да наведеног производа је у складу са следећим директивама и стандардима.

**ES** Nosotros, Nilfisk declaramos bajo nuestra única responsabilidad que el producto antes mencionado está en conformidad con las siguientes directivas y normas

**IT** Noi, Nilfisk dichiara sotto la propria responsabilità, che il prodotto di cui sopra è conforme alle seguenti direttive e norme.

**SV** Vi Nilfisk förklarar härmed under eget ansvar att ovan nämnda produkt överensstämmer med följande direktiv och normer.

**ET** Meie, Nilfisk Käesolevaga kinnitame ja kanname ainuiskulist vastutust, et eespool nimetatud toode on kooskõlas järgmistele direktiivide ja

**LT** Mes, "Nilfisk pareiškiu vienašališkos atsakomybės, kad pirmiau minėtas produktas atitinka šias direktyvas ir standartus

**SK** My, Nilfisk prehlasujeme na svoju výlučnú zodpovednosť, že vyššie uvedený výrobok je v zhode s nasledujúcimi smernicami a normami.

**FR** Nilfisk déclare sous notre seule responsabilité que le produit mentionné ci-dessus est conforme aux directives et normes suivantes.

**LV** Mēs, Nilfisk šo apliecinu ar pilnu atbildību, ka iepriekš minētais produkts atbilst šādām direktīvām un standartiem

**SL** Mi, Nilfisk izjavljamo s polno odgovornostjo, da je zgoraj omenjeni izdelek v skladu z naslednjimi smernicami in standardi.

**FI** Me, Nilfisk täten vakuutamme omalla vastuulla, että edellä mainittu tuote on yhdenmukainen seuraavien direktiivien ja standardien mukaisesti

**NO** Vi, Nilfisk erklærer herved under eget ansvar, at det ovennevnte produktet er i samsvar med følgende direktiver og standarder

**TR** Nilfisk, burada yer alan tüm sorumluluklarımızı görece, yukarıda belirtilen ürünü aşağıdaki direktifler ve standartlara uygun olduğunu beyan ederiz.

**NL** We verklaren Nilfisk hierbij op eigen verantwoordelijkheid, dat het bovengenoemde product voldoet aan de volgende richtlijnen en normen

2006/42/EC	EN 60335-1:2012+A11:2014 EN 60335-2-79:2012
2014/30/EU (non*)	EN 55014-1:2006+A1:2009+A2:2011 EN 55014-2:2015 Compliance to harmonic current emissions are documented in TCF_42331_01 EN 61000-3-11:2000 *EN 301 489-1 V2.1.1 *EN 301 489-3 V2.1.1
2011/65/EU	EN 50581:2012
2000/14/EC – Conformity assessment procedure according to Annex V.	- Measured sound power level: 83-89 dB(A); Guaranteed sound power level: 86-92 dB(A)
2014/53/EU - Freq Band: 2.45 GHz, TX: Max 1dBm	*EN 300 440-2 V2.1.1 Receiver Category 1

Authorized signatory:

Esben Graff, Vice President Portfolio Management, Consumer

March 13, 2018



## HEAD QUARTER

### DENMARK

Nilfisk A/S  
Kommarsvej 1  
DK-2605 Broendby  
Tel.: (+45) 4323 8100  
Website: www.nilfisk.com

## SALES COMPANIES

### ARGENTINA

Nilfisk srl.  
Edificio Central Park  
Herrera 1855, 6th floor/604  
Ciudad de Buenos Aires  
Tel.: (+54) 11 6091 1571  
Website: www.consumer.nilfisk.com.ar

### AUSTRALIA

Nilfisk Pty Ltd  
Unit 1/13 Bessemer Street  
Blacktown NSW 2148  
Tel.: (+61) 2 98348100  
Website: www.consumer.nilfisk.com.au

### AUSTRIA

Nilfisk GmbH  
Metzgerstrasse 68  
5101 Bergheim bei Salzburg  
Tel.: (+43) 662 456 400 90  
Website: www.nilfisk.at

### BELGIUM

Nilfisk n.v.s.a.  
Riverside Business Park  
Boulevard Internationalelaan 55  
Bâtiment C3/C4 Gebouw  
Bruxelles 1070  
Tel.: (+32) 24 67 60 50  
Website: www.consumer.nilfisk.be

### BRAZIL

Nilfisk do Brasil  
Av. Eng. Luis Carlos Berrini, 550  
40 Andar, Sala 03  
SP - 04571-000 Sao Paulo  
Tel.: (+11) 3959-0300 / 3945-4744  
Website: www.nilfisk.com.br

### CANADA

Nilfisk Canada Company  
240 Superior Boulevard  
Mississauga, Ontario L5T 2L2  
Tel.: (+1) 800-668-8400  
Website: www.nilfisk.ca

### CHILE

Nilfisk S.A. (Comercial KCS Ltda)  
Salar de Llamara 822  
8320000 Santiago  
Tel.: (+56) 2684 5000  
Website: www.nilfisk.cl

### CHINA

Nilfisk  
4189 Yindu Road  
Xinzhuang Industrial Park  
201108 Shanghai  
Tel.: (+86) 21 3323 2000  
Website: www.nilfisk.cn

### CZECH REPUBLIC

Nilfisk s.r.o.  
VGP Park Horní Počernice  
Do Certous 1/2658  
193 00 Praha 9  
Tel.: (+420) 244 090 912  
Website: www.consumer.nilfisk.cz

### DENMARK

Nilfisk Danmark A/S  
Industrivej 1  
Hadsund, DK-9560  
Tel.: 72 18 21 20  
Website: www.consumer.nilfisk.dk

### FINLAND

Nilfisk Oy Ab  
Koskelontie 23 E  
02920 Espoo  
Tel.: (+358) 207 890 600  
Website: www.consumer.nilfisk.fi

### FRANCE

Nilfisk SAS  
26 Avenue de la Baltique  
Villebon sur Yvette  
91978 Courtaboeuf Cedex  
Tel.: (+33) 169 59 87 24  
Website: www.consumer.nilfisk.fr

### GERMANY

Nilfisk GmbH  
Guido-Oberdorfer-Straße 2-10  
89287 Bellenberg  
Tel.: (+49) (0)7306/72-444  
Website: www.consumer.nilfisk.de

### GREECE

Nilfisk A.E.  
Αναστασείως 29  
Κορωπί Τ.Κ. 194 00  
Tel.: (30) 210 9119 600

Website: www.consumer.nilfisk.gr

### HOLLAND

Nilfisk B.V.  
Versterkerstraat 5  
1322 AN Almere  
Tel.: (+31) 036 5460760  
Website: www.consumer.nilfisk.nl

### HONG KONG

Nilfisk Ltd.  
2001 HK Worsted Mills  
Industrial Building  
31-39, Wo Tong Tsui St.  
Kwai Chung, N.T.  
Tel.: (+852) 2427 5951  
Website: www.nilfisk.com

### HUNGARY

Nilfisk Kft.  
II. Rákóczi Ferenc út 10  
2310 Szigetszentmiklós-Lakihegy  
Tel.: (+36) 24 475 550  
Website: www.nilfisk.hu

### INDIA

Nilfisk India Limited  
Pramukh Plaza, 'B' Wing, 4th floor, Unit No. 403  
Cardinal Gracious Road, Chakala  
Andheri (East) Mumbai 400 099  
Tel.: (+91) 22 6118 8188  
Website: www.nilfisk.in

### IRELAND

Nilfisk  
1 Stokes Place  
St. Stephen's Green  
Dublin 2  
Tel.: (+35) 3 12 94 38 38  
Website: www.nilfisk.ie

### ITALY

Nilfisk SpA  
Strada Comunale della Braglia, 18  
26862 Guardamiglio (LO)  
Tel.: (+39) (0) 377 414021  
Website: www.nilfisk.it

### JAPAN

Nilfisk Inc.  
1-6-6 Kita-shinyokohama, Kouhoku-ku  
Yokohama, 223-0059  
Tel.: (+81) 45548 2571  
Website: www.nilfisk.com

### MALAYSIA

Nilfisk Sdn Bhd  
Sd 33, Jalan KIP 10  
Taman Perindustrian KIP  
Sri Damansara  
52200 Kuala Lumpur  
Tel.: +603 6275 3120  
Website: www.nilfisk.com

### MÉXICO

Nilfisk de México S. de R.L. de C.V.  
Pirineos 515, Int. 60-70  
Zona Industrial Benito Juárez  
Queretaro, QRO, CP 76120  
Tel.: (+52) (442) 427 77 91  
Website: www.nilfisk.com

### NEW ZEALAND

Nilfisk Limited  
Suite F, Building E  
42 Tawa Drive  
0632 Albany Auckland  
Tel.: (+64) 9 414 1996  
Website: www.nilfisk.com

### NORWAY

Nilfisk AS  
Bjørnerudveien 24  
1266 Oslo  
Tel.: (+47) 22 75 17 80  
Website: www.consumer.nilfisk.no

### PERU

Nilfisk S.A.C.  
Calle Boulevard 162, Of. 703, Lima 33- Perú  
Lima  
Tel.: (51) 435-6840  
Website: www.nilfisk.com

### POLAND

Nilfisk Sp. Z.O.O.  
Millenium Logistic Park  
ul. 3 Maja 8, Bud. B4  
05-800 Pruszków  
Tel.: (+48) 22 738 3750  
Website: www.consumer.nilfisk.pl

### PORTUGAL

Nilfisk Lda.  
Sintra Business Park  
Zona Industrial Da Abrunheira  
Edifício 1, 1º A  
P27 10-089 Sintra  
Tel.: (+351) 21 911 2670  
Website: www.nilfisk.pt

### RUSSIA

Nilfisk LLC  
Vyatskaya str. 27, bld. 7/1st  
127015 Moscow

Tel.: (+7) 495 783 9602  
Website: www.consumer.nilfisk.ru

### SINGAPORE

Den-Sin  
22 Tuas Avenue 2  
639453 Singapore  
Tel.: (+65) 6268 1006  
Website: www.densin.com

### SLOVAKIA

Nilfisk s.r.o.  
Bancíkovej 1/A  
SK-821 03 Bratislava  
Tel.: (+421) 910 222 928  
Website: www.consumer.nilfisk.sk

### SOUTH AFRICA

Nilfisk (Pty) Ltd  
Kimbutt Office Park, 9 Zeiss Road  
Laser Park, Honeydew  
Johannesburg  
Tel.: (+27) 118014600  
Website: www.nilfisk.co.za

### SOUTH KOREA

Nilfisk Korea  
3F Duksoo B/D, 317-15  
Sungsoo-Dong 2Ga  
Sungdong-Gu, Seoul  
Tel.: (+82) 2497 8636  
Website: www.nilfisk.co.kr

### SPAIN

Nilfisk S.A.U  
Paseu del Rengle, 5 Planta. 9-10  
08302 Mataró  
Tel.: (34) 93 741 2400  
Website: www.consumer.nilfisk.es

### SWEDEN

Nilfisk AB  
Talljägårdsgatan 4  
431 53 Mölndal  
Tel.: (+46) 31 706 73 00  
Website: www.consumer.nilfisk.se

### SWITZERLAND

Nilfisk AG  
Ringstrasse 19  
Kircheberg/Industri Stelz  
9500 Wil  
Tel.: (+41) 71 92 38 444  
Website: www.consumer.nilfisk.ch

### TAIWAN

Nilfisk Ltd  
Taiwan Branch (H.K.)  
No. 5, Wan Fang Road  
Taipei  
Tel.: (+88) 6227 00 22 68  
Website: www.nilfisk.tw

### THAILAND

Nilfisk Co. Ltd.  
89 Soi Chokechai-Ruammit  
Viphavadee-Rangsit Road  
Ladyao, Jatuchak, Bangkok 10900  
Tel.: (+66) 2275 5630  
Website: www.nilfisk.co.th

### TURKEY

Nilfisk A.S.  
Serifali Mh. Bayraktar Bulv. Sehiti Sk. No:7  
Ümraniye, 34775 Istanbul  
Tel.: +90 216 466 94 94  
Website: www.consumer.nilfisk.com.tr

### UNITED ARAB EMIRATES

Nilfisk Middle East Branch  
SAIF-Zone  
P.O. Box 122298  
Sharjah  
Tel.: (+971) (0) 655-78813  
Website: www.nilfisk.com

### UNITED KINGDOM

Nilfisk Ltd.  
Nilfisk House, Bowerbank Way  
Gilwilly Industrial Estate, Penrith  
Cumbria CA11 9BQ  
Tel.: (+44) (0) 1768 868995  
Website: www.consumer.nilfisk.co.uk

### UNITED STATES

Nilfisk Inc.  
14600 21st Avenue North  
Plymouth, MN-55447  
Tel.: (+1) 800-989-2235  
Website: www.nilfisk.com

### VIETNAM

Nilfisk Vietnam  
No. 51 Doc Ngu Str.  
P. Vinh Phúc, Q.Ba Dinh  
Hanoi  
Tel.: (+84) 761 5642  
Website: www.nilfisk.com

