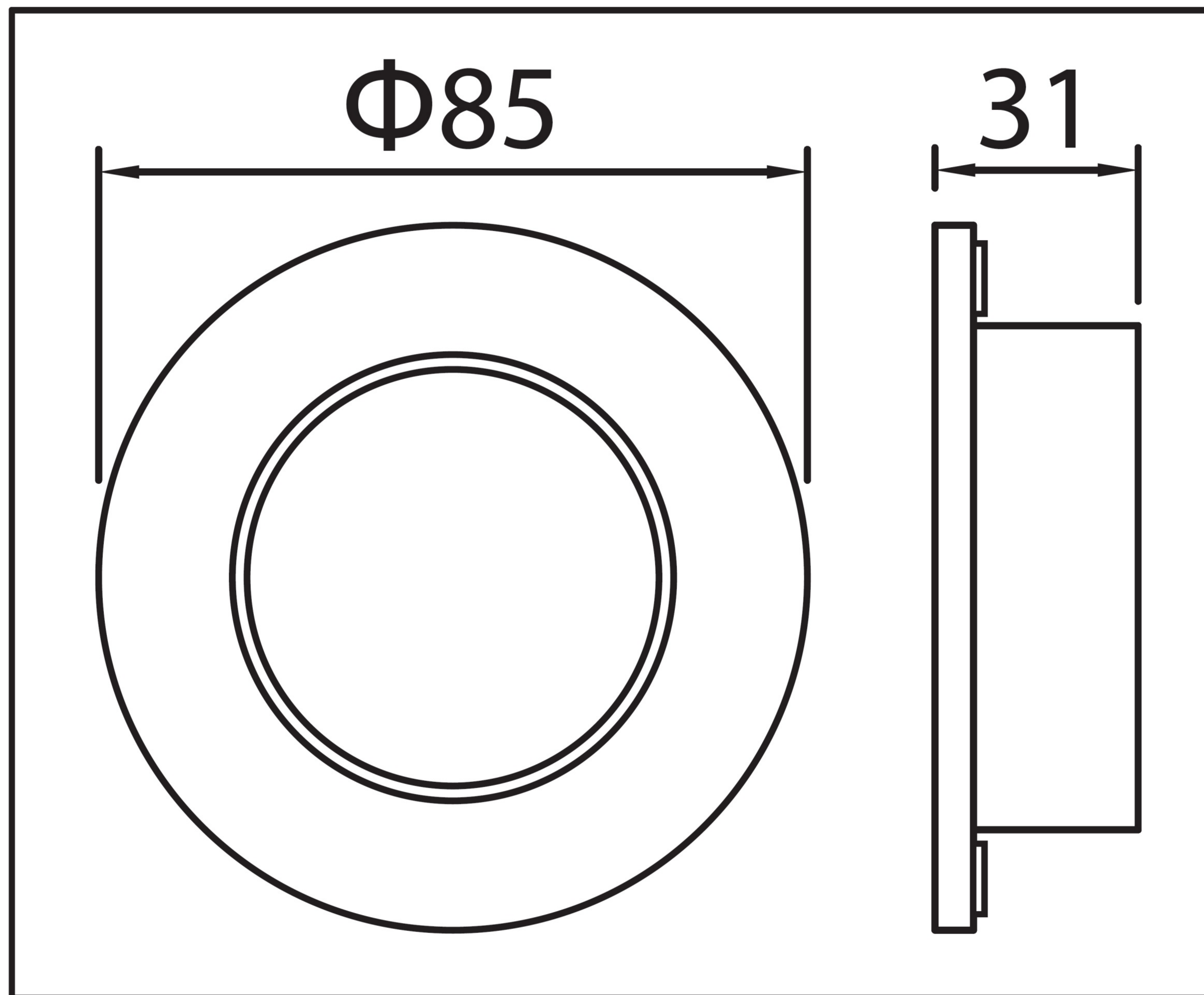
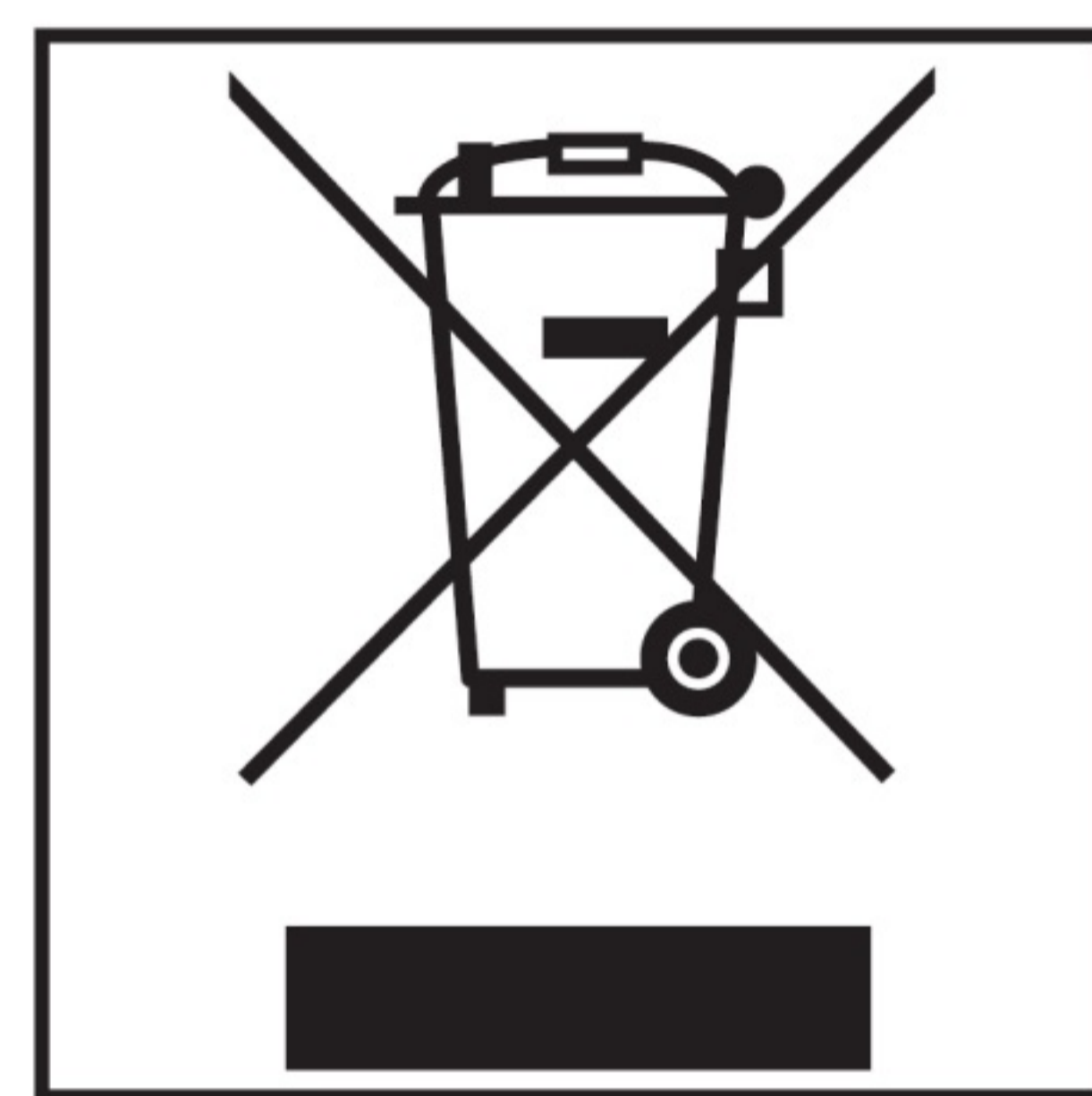
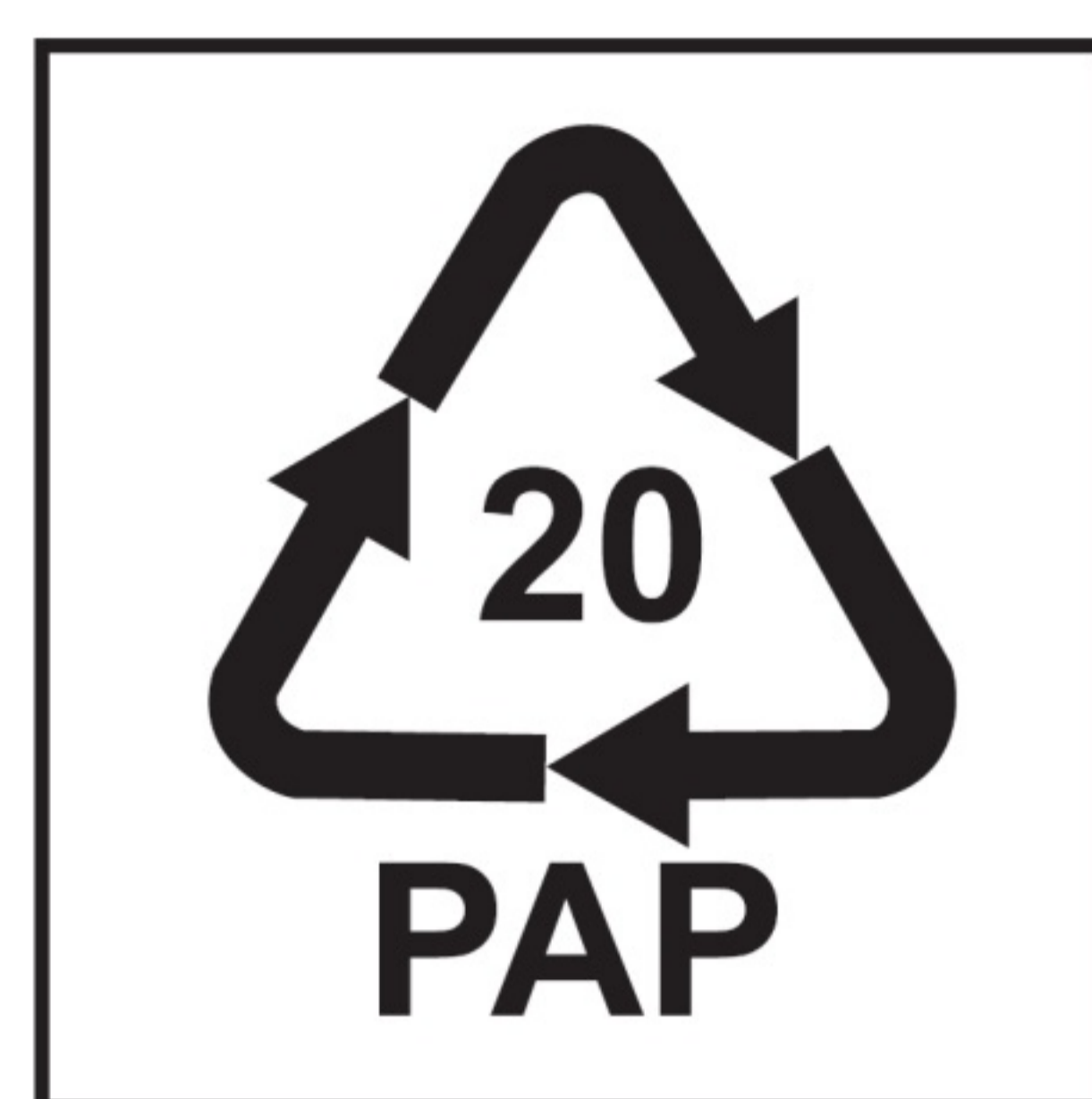


# Art.-Nr.: 6729IP65-19

## Aluminium effect Downlight

### IP65/ca. $\Phi$ 85mm



Trango GmbH  
Jakobsberg 1  
D-59929 Brilon  
[www.trango.de](http://www.trango.de)

