



# NSAI

## ECE TYPE-APPROVAL CERTIFICATE



Communication concerning:<sup>2</sup> Approval granted,  
Approval extended,  
Approval refused,  
Approval withdrawn  
Production definitively discontinued,

of restraining devices for child occupants of power-driven vehicles, pursuant to Regulation No. 129.

Approval No: **E24\*129R03/05\*0031\*00**

Reason(s) for extension:

*N/A*

1.1. Forward facing child restraint/rearward-facing child restraint/~~carry cot~~:<sup>2</sup>

*Forward-facing child restraint  
Rearward-facing child restraint*

1.2. Integral/non-integral/~~partial~~/~~booster cushion~~:<sup>2</sup>

*Integral / Non-Integral*

1.3. Belt type:<sup>2</sup>

*(adult) three-point belt  
~~(adult) lap belt/~~  
special type belt/retractor*

1.4. Other features:

*(Chair assembly/~~impact shield~~)*

*Chair assembly*

2. Trade name or mark:

*See test report and manufacturer's information document for details*

3. Manufacturer's designation of the Enhanced Child Restraint System:

***BFL032***

4. Manufacturer's name and address:

***Ningbo Beflye Baby Products Co., Ltd.  
No. 9, 2nd Floor, Unit 1, Building No. 1,  
No. 69, East of Chenshan Road, Xiaogang  
Street, Beilun District, Ningbo City,  
Zhejiang Province, 315800, P.R. China***

5. If applicable, name of his representative:

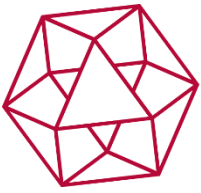
*N/A*

6. Address:

*N/A*


7. Submitted for approval on:

***17.06.2022***



# NSAI

Approval No: E24\*129R03/05\*0031\*00

8. Technical service conducting approval tests: ***Optival Belgelendirme Hizmetleri A.Ş  
Evliya Çelebi Mah. Küme Sk. Tuzla  
Ticaret Merkezi Sit. No: 2C/15  
Tuzla/İstanbul***
9. Type of device: ***Deceleration/Acceleration<sup>2</sup>***
10. Date of test report issued by that service: ***22.08.2022***
11. Number of test report issued by that service: ***OPH-T-02038-00 Rev01***
12. Approval granted/~~extended/refused/withdrawn~~<sup>2</sup>  
for size range 40cm to 150cm for i-Size, ~~specific vehicle or  
for use as a "special needs restraint"~~, position in  
vehicle ***Approval granted for for size range  
40cm to 105cm for i-Size Universal ISOFIX,  
100 to 150cm for i-Size Booster seat  
position in vehicle***
13. Position and nature of the marking: ***Paste on the back of the product***
14. Place: ***Dublin***
15. Date: ***26<sup>th</sup> August, 2022***
16. Signature:  
17. The following documents, bearing the approval number shown above, are attached to this communication:
- drawings, diagrams and plans of the child restraint, including any retractor, chair assembly, impact shield fitted.
  - ~~drawings, diagrams and plans of the vehicle structure and the seat structure, as well as of the adjustment system and the attachments, including any energy absorber fitted.~~
  - photographs of the child restraint ~~and/or vehicle structure and seat structure.~~
  - instructions for fitting and use.
  - ~~list of vehicle models for which the restraint is intended.~~

<sup>1</sup> Distinguishing number of the country which has granted/extended/refused/withdrawn approval (see approval provisions in the Regulation).

<sup>2</sup> Strike out what does not apply

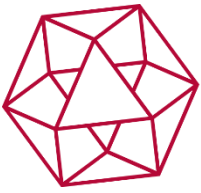


# NSAI

Approval No: *E24\*129R03/05\*0031\*00*

## Index to the Information Package

Date of issue:	<i>26<sup>th</sup> August, 2022</i>
Date of latest amendment:	<i>N/A</i>
Reason for extension/revision:	<i>N/A</i>
1. Test report(s)	
- numbers(s):	<i>OPH-T-02038-00 Rev01</i>
- date of issue:	<i>22.08.2022</i>
- date of latest amendment:	<i>N/A</i>
2. Information document	
- number(s):	<i>129-BFL032-00</i>
- date of issue:	<i>10.01.2022</i>
- date of latest amendment:	<i>N/A</i>
Documentation:	<i>107 pages</i>



# NSAI

Approval No: E24\*129R03/05\*0031\*00

## Appendix: **Additional conditions, and advisory notes on legal alternatives**

### A: Additional conditions:

1. The device, Type BFL032, shall be marked as prescribed by the regulation.
2. Fitting instructions shall be supplied with each device, giving details of any limitations in the use of the device.
3. The device should be fitted in accordance with the fitting instructions.
4. The attached technical report, with any of its attachments, forms part of this Type Approval certificate.
5. Each type from series production shall be to the measurements specified in the attached drawings, and shall be manufactured only from the materials specified in the Approval documents.
6. Changes in the type are permitted only with the explicit permission of NSAI. Breaches of this requirement will lead to a withdrawal of the Type Approval, and in addition may be subject to criminal prosecution.
7. At regular intervals, any tests or associated checks prescribed by the applicable legislation to verify continued conformity with the approved type shall be carried out. The manufacturer shall demonstrate compliance with this by submitting to NSAI evidence of adequate arrangements and documented control plans for each type approved.
8. Any set of samples or test pieces showing evidence of non-conformity shall give rise to further sampling and testing and all steps shall be taken to restore conformity of production.
9. This Type Approval will expire when it is surrendered by the holder, or withdrawn by NSAI, or when the approved type no longer conforms to legal requirements. The recall of the Type Approval can be issued by NSAI when the conditions required for the issuing or continuation of the Type Approval are no longer current, or when the Approval holder is in breach of the duties attached to the Type Approval, or when it is established that the approved type no longer meets the requirements of traffic safety.
10. Changes in the company name, address or manufacturing site, as well as in any of the sales or other agents specified in the issuing of the approval must immediately be notified to NSAI.
11. The duties imposed by the issuing of this certificate are not transferable. The legal protection of third parties is not affected by this certificate.
12. When the manufacture or sale of the system, component or separate technical unit has not been started within one year of the date of issue of this certificate, then NSAI is to be informed. This requirement also applies when the manufacture or sale has been halted for more than one year, or when it ought to have been halted for more than one year. The initial commencement of manufacture or sale, or the resumption of manufacture or sale, shall then be notified to NSAI within one month of commencement or resumption.

### B: Legal Options:

Any objection to the requirements set out in this certificate shall be made within one month of the date of issue. The objection shall be made, in writing, to NSAI in Dublin.





## TECHNICAL REPORT

**OPH-T-02038-00 Rev01 Dated 22.08.2022**

**Applicant** : Ningbo Beflye Baby Products Co., Ltd.  
**Regulatory act** : UNECE Regulation No.129  
Enhanced restraining devices for child occupants of power-driven vehicles  
Supplement 05 to the 03 series of amendments  
**Type** : BFL032

**Application for:**

- Vehicle  
 System  
 Component  
 Seperate technical unit

**Information regarding approval status:**

- First approval application  
 Application for extension  
 Technical report

## 0. INDEX

- 1 Attachments
- 2 General Information
- 3 Reasons for extension
- 4 Test equipment and conditions
- 5 Identification of test vehicle
- 6 Requirements and test results
- 7 Conclusion and status of conformity
- 8 Copyrights

## 1. ATTACHMENTS

- 1.1 Manufacturer's information document No.: 129-BFL032-00  
Date: 2022-01-10

## 2. GENERAL INFORMATION

- 2.1 Make (trade name of manufacturer) : Beflye, COOLKIDS, Babyauto, BBest, More, OMP, BQS, Kindcomfort, Vivitta, 5Dot, OMP Pro Kids, Babybus, Babypack, Babygab, Autozone, Autoreisen, Cicar, Lobimbo, Midas, Shears, Unit, Motortown, babycab, fillikid, gobaby, lionelo, BABYVIVO, JOYCARE, JOYELLO, MULTILASER, MULTIKIDS BABY, WEEGO, NOBLER, R for Rabbit, Wakids, Casualplay, TitaniumBaby, MONI, BOBCAT, POLARIS, TIFFY&Toffee, MONDOTUO, Kinderkraft, BabySafe, RANT, ZILAI, BabyStar, DOREL, RAL, Pocholin, Babyguard, mamakids, Bright Star, Funbaby, Lolitos, Baybee, b-qool, bbqool, bqool and bcool, MC(Mum's Carry), Beticco, 4KIDS, Petite&Mars, Cotobaby, COSCO, SAFETY1st, voyage, HUGGIES, Kiddy, Baby Kit's, siesta2en1, Fairworld, mon Bebe, BABY 1st, MY DEAR, Anakku, Kiddo, Shabu, krea baby, Little Step, Baby Harvest, Mamalove, Budada, Prinsel, KidGo, minipouce, Stillo, baby looney tunes, Looney tunes, ayoba, MineBaby, allobebe, SWB, BARBIE, HOT WHEELS, MATTEL, FIN, BABYPLUS, Baby Trend, Smartbaby, Kingbaby, ALLEGRO, AVANTI, BABY CO, BABY HOPE, BABYLIFE, BAMBINO, BE KIDZ, BEBESIT, BEBESITOS, BIEMME, BREVI, CAM, CASUA, COOL KIDS, CUTE BABIES, DEFORM, DISNEY BABY, DORA, DUCK, FAIR WORLD, FEATHER, GBS, GIANT CARRIER, GOLD TOYS, GRACELAND, HADY, Galzerano, X ADVENTURE, METR plus, Bene baby,

King Baby, Mega Baby, BabyGo, priori, Fisher Price, Happybaby, Infanti, SKEP, Babywell, Osann, Whoop, Britton baby, EASY BABY, BABIES FIRST, CANGROO, BABYHIT, BABY VIVO, Redkite, ASALVO, EVENFLO, Chipolino, Babylo, Mamaloes, ADVANCE, Bebestar, Baby Design, pmb, Ebebek, Baby Plus, Cozy N Safe, BOMIMI, Burigotto, Shift, Babyhug, Kikkaboo, Smart Baby, Just Baby, Booboo, Babyblume, CAOS, C4OS, STM, Storchenmühle, Nania, Migo, Safety Baby, Everkids, BROONDO, Kids Premium, Belious, TRUIPMONE, E- Hangbaby, MOMON, Little Bambino, Summer baby, yamp, Bereeca, Kidscool, Chelino, Koopers, MOBICLINIC KIDS, ASWAK ASSALAM, Möbelix, my baby, Angelo, SOLUZO, FEDORA, BABY MICHEL, Premium baby, B&B WORLD, 翔鸥, 憨娃娃, 柏沃, 羽佳贝

2.2	Type	:	BFL032
2.3	Commercial name(s)	:	N/A
2.4	Means of identification of type, if marked on the vehicle	:	N/A
2.4.1	Location of that marking	:	N/A
2.5	Category of vehicle	:	N/A
2.6	Company name and address of manufacturer	:	Ningbo Beflye Baby Products Co., Ltd.  No. 9, 2nd Floor, Unit 1, Building No. 1, No. 69, East of Chenshan Road, Xiaogang Street, Beilun District, Ningbo City, Zhejiang Province, 315800, P.R. China
2.7	Name(s) and address(es) of assembly plant(s)	:	See item 2.6 aboved
2.8	Name and address of the manufacturer's representative (if any)	:	N/A
2.9	Location of approval mark	:	See item 0.7 of information document

Date	:	Jan. 12th, 2022 to Mar. 10th, 2022
Location	:	CATARC Automotive Component Test Center (Ningbo) Co., Ltd.
Test expert	:	Ken Wang

### 3. REASONS FOR EXTENSION

N/A

## 4. TEST EQUIPMENT AND CONDITION

4.1. Equipment name	ID Number
Crash bench	NACTC0406-089
Data acquisition system	AF053
Environment Testing Machine	NACTC0201-016
Neutral Salt Spray Testing Machine	NACTC0203-006
Q0 Dummy	NACTC0801-327
Q1.5 Dummy	NACTC0801-329
Q3 Dummy	NACTC0801-330
Q10 Dummy	NACTC0801-337
Overturning Tester	NACTC0406-122
ISOFIX Durable Tester	NACTC0406-120
Buckle durability Testing Machine	NACTC0406-118
Buckle Loading Releasing Machine	NACTC0406-116
Adjusting device condition testing machine	NACTC0406-121
Force measuring meter	NACTC0406-086
Geometrical dimensions measuring device	NACTC0406-115
Size envelope box – D, ISO/R2, integral, RF	NACTC0406-114
Size envelope box – ISO/B2, non-integral, FF	NACTC0406-112
Size envelope box – B1, ISO/F2X, integral, FF	NACTC0406-111
Ruler	NACTC0109-016
Energy absorption sensor	A339448
Vernier caliper	NACTC0101-018
Universal testing machine	10802001
Lighting conditioning testing machine	NACTC0204-005(22668)
Digital angle ruler	NACTC0110-085
Micro-slip testing device	NACTC0406-119
Safety belt tension force sensor	NACTC0805-060 / NACTC0805-062

### 4.2. Ambient conditions

Temperature: 23 °C                      Humidity: 60%

## 5. IDENTIFICATION OF TEST SAMPLE

Make: Ningbo Beflye Baby Products Co., Ltd.

ECRS Description:

	Category	Stature range	Class	Orientation	Attachment
Category 1:	i-Size	40-105cm	Integral	Rearward-facing	ISOFIX attachments + support leg + harness
Category 2:	i-Size	76-105cm	Integral	Forward-facing	ISOFIX attachments + support leg + harness
Category 3:	i-Size booster seat	100-150cm	Non-integral	Forward-facing	ISOFIX attachments + adult safety belt / adult safety belt

Remarks: in case there are more than 1 category, additional rows could be added.

Anti-rotation device: ~~Top-tether~~/support leg/~~dashboard~~/~~not applicable~~<sup>(1)</sup>

Class of lock-off device: ~~A/B~~/~~not applicable~~<sup>(1)</sup>

Type of retractor: ~~Automatically locking/emergency locking~~/~~not applicable~~<sup>(1)</sup>

Other features: Chair assembly/~~impact shield~~<sup>(1)</sup>

Drawings, diagrams and plans of the ECRS including any retractor, chair assembly, impact shield fitted: See Annex 2 to 5 of information document

Declaration on toxicity in accordance with par.6.3.1.1. of this regulation: See Annex 1 of information document, test report with number: QW220859C002-1y

Declaration on flammability in accordance with par.6.3.1.2. of this regulation: See Annex 1 of information document, test report with number: QW220859M002-1y

Instruction for use of child safety seat in the vehicle: See Annex 6 of information document

Mass of the complete ECRS: 12.8 ± 0.5 kg

## 6. REQUIREMENTS AND TEST RESULTS

### 4. Marking

4.1 ECRS is marked of manufacturer's name, initials or trade mark: **In conformity**

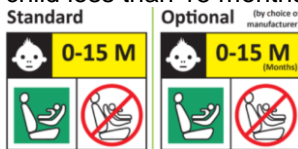
4.2 ECRS is clear and indelible marked with year of production: **In conformity**

4.3 Orientation, size range, maximum occupant mass, webbing path, and visibility of these marking: **In conformity**

4.4 ECRS is permanently attached the warning label of "Airbag": **In conformity**



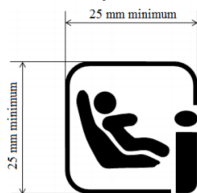
4.5 ECRS is permanently attached the warning label of no forward-facing for child less than 15 months: **In conformity**



4.6 The webbing path markings shall be permanently and durably attached and visible, with required color. **In conformity**

4.7 Marking for integral ECRS including ISOFIX connections attachments

4.7.1 For i-Size ECRS, the i-Size Logo with minimum dimension of 25 x 25 mm shall be permanently visible: **In conformity**



4.7.2 For Specific Vehicle ISOFIX ECRS, the ISO ISOFIX logo and user instruction label with minimum diameter of 30 mm shall be permanently visible: **Not applicable**



4.7.3 An international approval mark as defined in paragraph 5.4.1. In case the ECRS containing module(s) this marking shall be permanently attached to the part of the ECRS which includes the ISOFIX attachments. **In conformity**

4.7.4. An international module mark as defined in paragraph 5.4.3. In case the ECRS containing module(s) this marking shall be permanently attached to the module part of the ECRS.

**Not applicable**

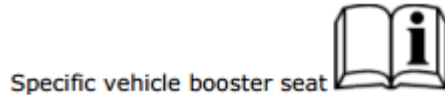
4.8. Marking for non-integral ECRS

4.8.1. For i-Size booster seat ECRS, the i-Size booster seat user instruction label shall be permanently visible as prescribed in item 4.7.1.:

**In conformity**

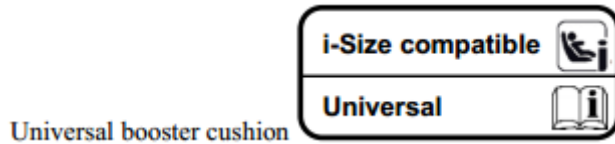
4.8.2. For Specific vehicle booster seat ECRS, the Specific vehicle booster seat user instruction label as below shall be permanently visible:

**Not applicable**



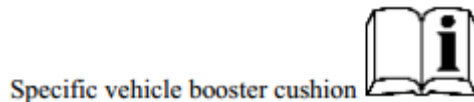
4.8.3. Universal booster cushion Enhanced Child Restraint Systems shall have a permanently attached label with the following information visible to the person installing the Enhanced Child Restraint System in the car:

**Not applicable**



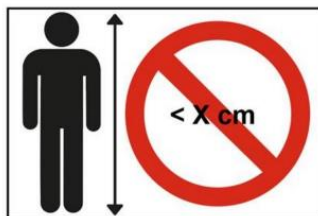
4.8.4. Specific vehicle booster cushion Enhanced Child Restraint Systems (except built-in) shall have a permanently attached label with the following information visible to the person installing the Enhanced Child Restraint System in the car:

**Not applicable**





4.8.5. Booster cushion Enhanced Child Restraint Systems shall have the following label (Minimum size: 60 x 40 mm) permanently attached and visible to the person installing the Enhanced Child Restraint System in the car. The limit X shown on the label represents the lower stature of the size range the Enhanced Child Restraint System is approved to. If the booster cushion is approved in combination with a booster seat the label shall be visible only when the ECRS is used as a booster cushion.

**Not applicable**



4.9. Marking for ECRS with an impact shield with minimum dimensions 40 x 40 mm.

**Not applicable**

4.10.	Any removable insert, shall have a permanently attached label to indicate the brand, model and size range of the Enhanced Child Restraint System to which it belongs. The minimum size of the label shall be 40 x 40 mm or the equivalent area.	<b>In conformity</b>
4.11.	A Booster seat that converts to a Booster cushion by a removable backrest, shall have a permanently attached label on the backrest, to indicate the brand and model of the Enhanced Child Restraint System to which it belongs and the size range. The minimum size of the label shall be 40 x 40 mm or the equivalent area.	<b>Not applicable</b>
4.12.	Marking for Integral Belted Enhanced Child Restraint System	
4.12.1.	For Universal Belted ECRS, the Universal Belted ECRS user instruction label shall permanently visible:  	<b>Not applicable</b>
4.12.2.	For Specific vehicle Belted ECRS, the Specific vehicle Belted user instruction label shall permanently visible:  	<b>Not applicable</b>
4.12.3	An international approval mark as defined in paragraph 5.4.1. In case the Enhanced Child Restraint System containing module(s) this marking shall be permanently attached to the part of the Enhanced Child Restraint System that includes the main load-bearing contact points.	<b>Not applicable</b>
4.12.4.	An international module mark as defined in paragraph 5.4.3. In case the Enhanced Child Restraint System containing module(s) this marking shall be permanently attached to the module part of the Enhanced Child Restraint System.	<b>Not applicable</b>
4.13.	Additional markings:	<b>In conformity</b>
4.15.	For ECRS which do not provide a paper form of the user instructions to the customer, either a weblink or QR code to the user instructions shall be permanently attached to the ECRS and visible to the person installing the ECRS in the vehicle.	<b>Not applicable</b>



## 6. General specifications

6.1. Positioning and securing on the vehicle:

In conformity

6.1.2.5.&  
6.1.3.4. The distance between the adult safety-belt route and a main load-bearing contact point and the Cr axis when measured with the ECRS on the dynamic test bench installed without a dummy is not less than 150 mm.

In conformity

For ECRS of <del>integral Belted / booster seat / booster cushion</del> categories <sup>(1)</sup>	Left side (mm):	210
	Right side (mm):	210
<sup>(1)</sup> : strike through where is not applicable.		

6.1.2.6.&  
6.1.3.5. The adult safety-belt required to secure a Belted ECRS on the dynamic test bench shall be met with at least 150 mm of belt remaining on the spool.

In conformity

For ECRS of <del>integral / non-integral belted</del> <sup>(1)</sup>	Result	Required
	158	≥150mm

6.1.3.6. For booster cushions, the declared stature should not be below 125 cm. And the top of the child's head is at or above a horizontal plane at 770 mm vertically from the Cr axis when seated on the test bench described in Annex 6.

Not applicable

The procedure to check if a booster cushion fulfils this requirement has been done with the below measured sitting height results:

Minimum Sitting Height 50th percentile	Stature (cm)
-	-
Note: For statures in between the displayed values the respective sitting height needs to be calculated by means of a linear interpolation	

6.2. Configuration of the ECRS:

In conformity

6.2.1.5. All restraint devices utilizing a lap strap shall positively guide the lap strap to ensure that the loads transmitted by the lap strap are transmitted through the pelvis. The assembly shall not subject weak parts of the child's body (abdomen, crotch, etc.) to excessive stresses.

In conformity

In case of non-integral Enhanced Child restraint Systems, the lap portion of the adult safety-belt shall be positively guided on both sides to ensure that the loads transmitted by the adult lap belt are transmitted through the pelvis. The positive guidance of loads over the pelvis shall be realised from the moment that the child is installed; the lap belt shall pass over the top of the thigh, just touching the fold with the pelvis. The angles  $\alpha$  and  $\beta$  between the tangent line in which the belt touches the thighs and the horizontal shall be greater than 10°.

In conformity

The angles $\alpha$ and $\beta$ of the smallest dummy used during test of ECRS	Left side – $\alpha_1$ (°):	22.1
	Right side – $\beta_1$ (°):	21.4
The angles $\alpha$ and $\beta$ of the largest dummy used during test of ECRS	Left side – $\alpha_2$ (°):	23.9
	Right side – $\beta_2$ (°):	24.0

6.3. ECRS specifications

6.3.1. Material:

**In conformity**

6.3.2. General characteristics

6.3.2.1 Internal geometric characteristics: use sample No. 1

**In conformity**

Unit: cm		Measured	Limit
Declared range	40-150		
Configuration measured - for Integral	40-105, Rearward facing / <del>forward facing</del> , i-Size / <del>i-Size booster seat / booster cushion</del>		
Min. occupant size	Min. Shoulder Height (E1)	26.1	<27.4
Max. occupant size fit within the ISO/R2 size envelope	Sitting Height (B)	64.5	≥61.8
	Shoulder Breadth (C)	35.0	≥30.1
	Hip Breadth (D)	32.3	≥24.9
	Max. Shoulder Height (E2)	39.3	≥39.1
Configuration measured - for Integral	76-105, <del>Rearward facing</del> / forward facing, i-Size / <del>i-Size booster seat / booster cushion</del>		
Min. occupant size	Min. Shoulder Height (E1)	26.1	<28.6
Max. occupant size fit within the ISO/F2X size envelope	Sitting Height (B)	64.5	≥61.8
	Shoulder Breadth (C)	35.0	≥30.1
	Hip Breadth (D)	32.3	≥24.9
	Max. Shoulder Height (E2)	39.3	≥39.1
Configuration measured - for Non-integral	100-150, <del>Rearward</del> / forward facing, i-Size / i-Size booster seat / <del>booster cushion</del>		
Min. occupant size	Min. Shoulder Height (E1)	32.1	≤32.4
Occupant size 135cm fit within the ISO/B2 size envelope	Sitting Height (B)	75.9	≥74.4
	Shoulder Breadth (C)	36.0	≥33.3
	Hip Breadth (D)	32.3	≥29.1
	Max. Shoulder Height (E2)	50.5	≥47.9
Max. occupant size 150cm	Sitting Height (B)	81.9	≥81.1
	Shoulder Breadth (C)	36.9	≥36.4
	Hip Breadth (D)	32.3	≥32.0
	Max. Shoulder Height (E2)	53.8	≥53.3

Remarks: results for F1, F2, G1, G2 should be added in case of impact shield feature.

6.3.2.2 External dimensions:

Configuration measured - for Integral	40-105cm, Rearward / <del>forward</del> facing, i-Size / <del>i-Size booster seat / booster cushion</del>
ISO volume used	ISO/R2
ECRS adjustments that fit within volume	Head rest position: position for ECRS at 105cm stature Recline position: position R (most inclined position) Side wing position: not adjustable
Configuration measured - for Integral	76-105cm, <del>Rearward</del> / forward facing, i-Size / <del>i-Size booster seat / booster cushion</del>
ISO volume used	ISO/F2X
ECRS adjustments that fit within volume	Head rest position: position for ECRS at 105cm stature Recline position: position 1 and 3 (most upright and inclined position) Side wing position: not adjustable
Configuration measured - for Non-integral	100-150cm, <del>Rearward</del> / forward facing, i-Size / i-Size booster seat / <del>booster cushion</del>
ISO volume used	ISO/B2
ECRS adjustments that fit within volume	Head rest position: position for ECRS at 135cm stature Recline position: position 1 (most upright position) Side wing position: not adjustable
Verification by	Physical check / CAD drawing; See details in Annex 5 of information document;

Remarks: strick through when not applicable

**In conformity**

6.3.2.3 The mass of an integral ISOFIX ECRS (including inserts) combined with the mass of the largest child intended to use the ECRS shall not exceed 33 kg. For module systems the combined mass of the module & base shall be recorded. This mass limit is also applicable for "Specific vehicle ISOFIX" ECRS.

Mass [kg]	Result	Required
Mass of ECRS	12.8	-
Max. Mass of occupant	18.0	-
Mass of module system	-	-
Total mass of ECRS and max. occupant	30.8	≤33

**In conformity**

6.3.3. Partial latching indication

The ISOFIX ECRS shall incorporate means by which there is a clear indication that both of the ISOFIX attachments are completely latched with the corresponding ISOFIX lower anchorages. The indication means is ~~audible / tactile~~ / visual / ~~a combination of two or more~~. In case of visual indication it shall be detectable under all normal lighting conditions.

**In conformity**

6.3.4. ISOFIX ECRS top tether strap specifications: **Not applicable**

6.3.4.1. Top tether connector **Not applicable**  
 The top tether connector shall be ISOFIX top tether hook as shown in Figure 3(c), or similar devices that fit within the envelope given by Figure 3(c).

6.3.4.2. ISOFIX top tether strap features **Not applicable**  
 The ISOFIX top tether strap shall be supported by webbing (or its equivalent), having a provision for adjustment and release of tension.

6.3.4.2.1. ISOFIX Top tether strap length **Not applicable**

Length of ISOFIX Top tether strap	Result	Required
	-	≥2.0m

6.3.4.2.2. No-slack indicator **Not applicable**  
 The ISOFIX top tether strap or the ISOFIX ECRS shall be equipped with a device that will indicate that all slack has been removed from the strap. The device may be part of an adjustment and tension relieving device.

6.3.4.2.3. Dimensions **Not applicable**  
 Engagement dimensions for ISOFIX top tether hooks are shown in Figure 3(c).

6.3.5. i-Size ECRS support-leg and support-leg foot requirements: **In conformity**

6.4. Control of markings specified in par. 4: **In conformity**

6.5. Control of instructions on installation and use in par. 14: **In conformity**

6.6 Provisions applicable to the assembled restraint

6.6.1. Resistance to corrosion: No signs of deterioration likely to impair the proper functioning and no significant corrosion **In conformity**  
 Remarks: Tested parts: buckle assemblies, retractors, adjusters, lock-off devices and relative metal structure parts.  
 After the tests with reference no. N20220103E1, no significant corrosion seen and functions of the parts remain.

6.6.2. Energy absorption: use sample No. 2 **In conformity**

	Area of headform impact	Headform deceleration	
Deceleration of headform [g] (limit 60g)	The middle of head backrest	12.7	
	The sides of head backrest	left side wing	7.5
		right side wing	7.1
Depth of the side wings* ≥90mm	161		

\*only apply for rearward-facing device

6.6.3. Overturning: use sample No. 3

**In conformity**

	ECRS Configuration	Direction of rotation				Dummy used
		Clock wise	Anti-clock wise	Roll ahead	Roll back	
Dummy's head vertical movement [mm] (limit 300 mm)	Integral / <del>non-integral</del> RF / FF (40-105cm) ISOFIX attachments + support-leg + harness	85	70	80	82	Q0
		70	70	80	82	Q1.5
		50	60	60	70	Q3
	Integral / <del>non-integral</del> RF / FF (76-105cm) ISOFIX attachments + support-leg + harness	75	75	60	65	Q1.5
		55	59	60	64	Q3
	Integral / non-integral RF / FF (100-150cm) ISOFIX attachments + adult safety belt	60	68	55	60	Q3
		35	21	25	20	Q10
	Integral / non-integral RF / FF (100-150cm) adult safety belt	57	53	55	55	Q3
		26	21	25	28	Q10

Remarks: Mass of dummies used meet requirements of Annex 8 of this regulation

6.6.4.	Dynamic test	<b>In conformity</b>
	Type of dynamic test device:	Acceleration / <del>deceleration</del>
	Dynamic test curves:	Meet the requirements, see Graphs: Dynamic test curves of sled test trolley as below
	Position of buckle during the test:	40-105cm: on the dummy abdomen 100-150cm: buckle for adult seat
	Remarks:	Detailed results of dynamic test see below Table 1 to Table 6

Table 1

Testing parameter	Limit	Result					
ECRS Class	-	Integral / <del>non-integral</del>					
ECRS orientation	-	Forward-facing / rearward-facing / lateral-facing			Forward-facing / rearward-facing / lateral-facing		
Impact direction	-	Frontal / rear / lateral					
Backrest position	-	Upright / inclined / fixed			Upright / inclined / fixed		
ISOFIX attachments	-	N/A / W / W/O					
Anti-rotation device	-	Top tether / support leg / N/A					
Sample No.	-	4	5	6	7	8	-
Used dummy	-	Q0	Q1.5	Q3	Q1.5	Q3	-
Adult safety-belt bench installation force of lab belt [N]	45-55	N/A	N/A	N/A	N/A	N/A	-
Adult safety-belt bench installation force of shoulder belt [N]	45-55	N/A	N/A	N/A	N/A	N/A	-
Door bench relative velocity [m/s]	6.375-7.25	7.1	7.1	7.0	7.1	7.0	-
Stopping distance during test [mm] <sup>(1)</sup>	200-300	N/A	N/A	N/A	N/A	N/A	-
Head performance criterion, HPC(15)	≤ 600/800	397	210	412	337	296	-
Head acceleration 3ms [g]	≤ 75/80	69.0	50.7	71.9	66.7	59.6	-
Upper neck tension force, Fz [N]	-	28	351	1	332	740	-
Upper neck flexion moment, Mx [Nm]	-	4.1	7.2	9.8	8.5	9.3	-
Head containment, (No head contact and not exceed vertical plane)	-	no	no	no	no	no	-
Buckle open force after [N]	≤ 80	63	59	52	53	78	-
Failure or breakage	no	no	no	no	no	no	-

Table 2

Testing parameter	Limit	Result						
ECRS Class	-	Integral / non-integral						
ECRS orientation	-	Forward-facing / <del>rearward-facing</del> / lateral-facing						
Impact direction	-	Frontal / <del>rear</del> / lateral						
Backrest position	-	Upright / inclined / fixed						
ISOFIX attachments	-	N/A / W / W/O			N/A / W / W/O			
Anti-rotation device	-	Top tether / support leg / N/A						
Sample No.	-	-	9	10	11	12	-	
Used dummy	-	-	Q3	Q10	Q3	Q10	-	
Adult safety-belt bench installation force of lab belt [N]	45-55	-	53	53	51	48	-	
Adult safety-belt bench installation force of shoulder belt [N]	45-55	-	45	45	47	47	-	
Door bench relative velocity [m/s]	6.375-7.25	-	7.0	7.0	7.0	7.0	-	
Stopping distance during test [mm] <sup>(1)</sup>	200-300	-	N/A	N/A	N/A	N/A	-	
Head performance criterion, HPC(15)	≤ 600/800	-	306	63	285	52	-	
Head acceleration 3ms [g]	≤ 75/80	-	59.7	30.4	58.6	29.2	-	
Upper neck tension force, Fz [N]	-	-	565	1188	523	1081	-	
Upper neck flexion moment, Mx [Nm]	-	-	9.2	15.3	9.7	18.5	-	
Head containment, (No head contact and not exceed vertical plane)	-	-	no	no	no	no	-	
Buckle open force after [N]	≤ 80	-	N/A	N/A	N/A	N/A	-	
Failure or breakage	no	-	no	no	no	no	-	

Table 3

Testing parameter	Limit	Result						
ECRS Class	-	Integral / <del>non-integral</del>						
ECRS orientation	-	Forward-facing / rearward-facing / <del>lateral-facing</del>						
Impact direction	-	Frontal / rear / <del>lateral</del>						
Backrest position	-	Upright / inclined / fixed						
ISOFIX attachments	-	N/A / W / <del>W/O</del>						
Anti-rotation device	-	Top tether / support leg / N/A						
Sample No.	-	13	-	14	-	15	-	
Used dummy	-	Q0	-	Q1.5	-	Q3	-	
Adult safety-belt bench installation force of lab belt [N]	45-55	N/A	-	N/A	-	N/A	-	
Adult safety-belt bench installation force of shoulder belt [N]	45-55	N/A	-	N/A	-	N/A	-	
Trolley impact speed [km/h]	<del>30-32/32-34</del>	32.1	-	32.1	-	32.7	-	
Stopping distance during test [mm] <sup>(1)</sup>	600-700	N/A	-	N/A	-	N/A	-	
Head performance criterion, HPC(15)	≤ 600/800	68	-	172	-	115	-	
Head acceleration 3ms [g]	≤ 75/80	33.2	-	63.4	-	38.0	-	
Chest acceleration 3ms [g]	≤ 55	37.4	-	50.4	-	41.2	-	
Chest deflection, TBC [mm]	-	N/A	-	20.2	-	15.1	-	
Upper neck tension force, Fz [N]	-	362	-	909	-	974	-	
Upper neck flexion moment, My [Nm]	-	6.6	-	13.5	-	17.9	-	
Abdominal pressure, P [bar]	L	≤ 1.0/1.2	N/A	-	0.15	-	0.30	-
	R	≤ 1.0/1.2	N/A	-	0.12	-	0.32	-
Maximum of head displacement	x [mm] (horizontal)	≤ 700/ <del>500</del>	396	-	432	-	457	-
	at time [ms]	-	184	-	192	-	207	-
	z [mm] (vertical)	≤ 800/840	292	-	300	-	329	-
	at time [ms]	-	99	-	143	-	180	-
Buckle open force after [N]	≤ 80	70	-	35	-	47	-	
Failure or breakage	no	no	-	no	-	no	-	



Table 4

Testing parameter	Limit	Result						
ECRS Class	-	Integral / <del>non-integral</del>						
ECRS orientation	-	<del>Forward-facing</del> / rearward-facing / <del>lateral-facing</del>						
Impact direction	-	Frontal / <del>rear</del> / <del>lateral</del>						
Backrest position	-	Upright / inclined / fixed						
ISOFIX attachments	-	N/A / W / <del>W/O</del>						
Anti-rotation device	-	Top tether / support leg / N/A						
Sample No.	-	16	17	18	19	20 <sup>(3)</sup>	-	
Used dummy	-	Q0	Q1.5	Q3	Q3	Q3	-	
Adult safety-belt bench installation force of lab belt [N]	45-55	N/A	N/A	N/A	N/A	N/A	-	
Adult safety-belt bench installation force of shoulder belt [N]	45-55	N/A	N/A	N/A	N/A	N/A	-	
Trolley impact speed [km/h]	<del>48-50</del> /50-52	50.1	50.0	50.0	50.3	50.1	-	
Stopping distance during test [mm] <sup>(1)</sup>	600-700	N/A	N/A	N/A	N/A	N/A	-	
Head performance criterion, HPC(15)	≤ 600/800	84	216	122	200	171	-	
Head acceleration 3ms [g]	≤ 75/80	34.3	49.9	37.5	47.4	43.8	-	
Chest acceleration 3ms [g]	≤ 55	34.2	38.9	34.9	34.9	36.3	-	
Chest deflection, TBC [mm]	-	N/A	6.1	7.4	7.8	7.7	-	
Upper neck tension force, Fz [N]	-	48	568	436	980	1228	-	
Upper neck flexion moment, My [Nm]	-	13.2	18.7	13.9	9.4	12.5	-	
Abdominal pressure, P [bar]	L	≤ 1.0/1.2	N/A	0.05	0.17	0.12	0.21	-
	R	≤ 1.0/1.2	N/A	0.04	0.17	0.12	0.23	-
Maximum of head displacement	x [mm] (horizontal)	≤ 700/ <del>500</del>	411	527	637	564	N/A	-
	at time [ms]	-	70	86	107	83	N/A	-
	z [mm] (vertical)	≤ 800/840	586	640	688	632	739	-
	at time [ms]	-	244	163	253	169	173	-
Buckle open force after [N]	≤ 80	56	46	52	54	52	-	
Contact with Ø100mm bar <sup>(2)</sup>	-	no	no	yes	w/o	w/o	-	
Failure or breakage	no	no	no	no	no	no	-	

Table 5

Testing parameter	Limit	Result						
ECRS Class	-	Integral / <del>non-integral</del>						
ECRS orientation	-	Forward-facing / <del>rearward-facing</del> / <del>lateral-facing</del>						
Impact direction	-	Frontal / <del>rear</del> / <del>lateral</del>						
Backrest position	-	Upright / <del>inclined</del> / <del>fixed</del>		Upright / inclined / <del>fixed</del>				
ISOFIX attachments	-	N/A / W / <del>W/O</del>						
Anti-rotation device	-	Top <del>tether</del> / support leg / N/A						
Sample No.	-	21	22 <sup>(5)</sup>	23 <sup>(6)</sup>	24	25 <sup>(4)</sup>	-	
Used dummy	-	Q1.5	Q3	Q1.5	Q3	Q3	-	
Adult safety-belt bench installation force of lab belt [N]	45-55	N/A	N/A	N/A	N/A	N/A	-	
Adult safety-belt bench installation force of shoulder belt [N]	45-55	N/A	N/A	N/A	N/A	N/A	-	
Trolley impact speed [km/h]	<del>48-50</del> /50-52	50.4	50.0	50.2	50.2	50.5	-	
Stopping distance during test [mm] <sup>(1)</sup>	600-700	N/A	N/A	N/A	N/A	N/A	-	
Head performance criterion, HPC(15)	≤ 600/800	221	280	366	258	407	-	
Head acceleration 3ms [g]	≤ 75/80	52.7	53.6	62.5	51.5	65.5	-	
Chest acceleration 3ms [g]	≤ 55	31.3	34.6	30.8	26.8	32.6	-	
Chest deflection, TBC [mm]	-	30.0	30.7	7.8	31.3	33.7	-	
Upper neck tension force, Fz [N]	-	1090	1893	1353	1878	2400	-	
Upper neck flexion moment, My [Nm]	-	28.6	15.1	23.3	13.2	25.2	-	
Abdominal pressure, P [bar]	L	≤ 1.0/1.2	0.15	0.30	0.17	0.39	0.45	-
	R	≤ 1.0/1.2	0.14	0.32	0.15	0.42	0.48	-
Maximum of head displacement	x [mm] (horizontal)	≤ 500/550	336	336	329	<b>363</b>	472	-
	at time [ms]	-	117	109	104	113	119	-
	z [mm] (vertical)	≤ 800/840	648	703	645	680	686	-
	at time [ms]	-	197	199	170	195	188	-
Buckle open force after [N]	≤ 80	64	63	57	64	49	-	
Failure or breakage	no	no	no	no	no	no	-	

Table 6

Testing parameter	Limit	Result						
ECRS Class	-	Integral / non-integral						
ECRS orientation	-	Forward-facing / <del>rearward-facing</del> / lateral-facing						
Impact direction	-	Frontal / <del>rear</del> / lateral						
Backrest position	-	Upright / inclined / fixed						
ISOFIX attachments	-	N/A / W / W/O			N/A / W / W/O			
Anti-rotation device	-	Top tether / support leg / N/A						
Sample No.	-	-	26	27	28	29	-	
Used dummy	-	-	Q3	Q10	Q3	Q10	-	
Adult safety-belt bench installation force of lab belt [N]	45-55	-	49	49	48	48	-	
Adult safety-belt bench installation force of shoulder belt [N]	45-55	-	45	46	46	47	-	
Trolley impact speed [km/h]	<del>48-50</del> /50-52	-	50.7	50.1	50.4	51.0	-	
Stopping distance during test [mm] <sup>(1)</sup>	600-700	-	N/A	N/A	N/A	N/A	-	
Head performance criterion, HPC(15)	≤ 600/800	-	344	512	324	552	-	
Head acceleration 3ms [g]	≤ 75/80	-	57.3	75.8	56.8	78.0	-	
Chest acceleration 3ms [g]	≤ 55	-	36.1	35.7	33.5	34.5	-	
Chest deflection, TBC [mm]	-	-	29.9	30.0	28.6	38.4	-	
Upper neck tension force, Fz [N]	-	-	2531	4841	2389	4178	-	
Upper neck flexion moment, My [Nm]	-	-	18.4	14.9	26.7	16.8	-	
Abdominal pressure, P [bar]	L	≤ 1.0/1.2	-	0.14	0.35	0.20	0.20	-
	R	≤ 1.0/1.2	-	0.22	0.16	0.26	0.76	-
Maximum of head displacement	x [mm] (horizontal)	≤ 500/550	-	245	327	263	330	-
	at time [ms]	-	-	98	109	99	108	-
	z [mm] (vertical)	≤ 800/840	-	699	830	684	828	-
	at time [ms]	-	-	209	38	229	22	-
Buckle open force after [N]	≤ 80	-	N/A	N/A	N/A	N/A	-	
Failure or breakage	no	-	no	no	no	no	-	

(1) only for deceleration dynamic test device

(2) only for rearward facing ECRS with frontal impact

(3) for rearward facing ECRS tested without anti-rotation device used, only the second test results without 100mm diameter bar will be considered

(4) for forward facing ECRS tested without anti-rotation device used, the head displacement limit is 550mm

(5) test with Buckle-3 (optional)

(6) test with Buckle-2 (optional)

6.6.5.	Resistance to temperature: No signs of deterioration likely to impair the proper functioning of buckle assemblies, retractors, adjusters and lock-off devices.	<b>In conformity</b>																																													
6.7.	Provisions applicable to individual components of the restraint																																														
6.7.1.	Buckle	<b>In conformity</b>																																													
6.7.1.1.- 6.7.1.3.	Results of dimensional check of buckle	<b>In conformity</b>																																													
	<table border="1" style="width: 100%; border-collapse: collapse;"> <thead> <tr> <th style="text-align: center;">Buckle - 1</th> <th style="text-align: center;">Result</th> <th style="text-align: center;">Required</th> </tr> </thead> <tbody> <tr> <td>Width of button for enclosed [mm]</td> <td style="text-align: center;">-</td> <td style="text-align: center;">≥ 15</td> </tr> <tr> <td>Surface area of button for enclosed [cm<sup>2</sup>]</td> <td style="text-align: center;">-</td> <td style="text-align: center;">≥ 4.5</td> </tr> <tr> <td>Width of button for non-enclosed [mm]</td> <td style="text-align: center;">16.4</td> <td style="text-align: center;">≥ 10</td> </tr> <tr> <td>Surface area of button for non-enclosed [cm<sup>2</sup>]</td> <td style="text-align: center;">4.96</td> <td style="text-align: center;">≥ 2.5</td> </tr> </tbody> </table> <table border="1" style="width: 100%; border-collapse: collapse;"> <thead> <tr> <th style="text-align: center;">Buckle - 2</th> <th style="text-align: center;">Result</th> <th style="text-align: center;">Required</th> </tr> </thead> <tbody> <tr> <td>Width of button for enclosed [mm]</td> <td style="text-align: center;">-</td> <td style="text-align: center;">≥ 15</td> </tr> <tr> <td>Surface area of button for enclosed [cm<sup>2</sup>]</td> <td style="text-align: center;">-</td> <td style="text-align: center;">≥ 4.5</td> </tr> <tr> <td>Width of button for non-enclosed [mm]</td> <td style="text-align: center;">13.0</td> <td style="text-align: center;">≥ 10</td> </tr> <tr> <td>Surface area of button for non-enclosed [cm<sup>2</sup>]</td> <td style="text-align: center;">2.88</td> <td style="text-align: center;">≥ 2.5</td> </tr> </tbody> </table> <table border="1" style="width: 100%; border-collapse: collapse;"> <thead> <tr> <th style="text-align: center;">Buckle - 3</th> <th style="text-align: center;">Result</th> <th style="text-align: center;">Required</th> </tr> </thead> <tbody> <tr> <td>Width of button for enclosed [mm]</td> <td style="text-align: center;">-</td> <td style="text-align: center;">≥ 15</td> </tr> <tr> <td>Surface area of button for enclosed [cm<sup>2</sup>]</td> <td style="text-align: center;">-</td> <td style="text-align: center;">≥ 4.5</td> </tr> <tr> <td>Width of button for non-enclosed [mm]</td> <td style="text-align: center;">17.0</td> <td style="text-align: center;">≥ 10</td> </tr> <tr> <td>Surface area of button for non-enclosed [cm<sup>2</sup>]</td> <td style="text-align: center;">6.46</td> <td style="text-align: center;">≥ 2.5</td> </tr> </tbody> </table>	Buckle - 1	Result	Required	Width of button for enclosed [mm]	-	≥ 15	Surface area of button for enclosed [cm <sup>2</sup> ]	-	≥ 4.5	Width of button for non-enclosed [mm]	16.4	≥ 10	Surface area of button for non-enclosed [cm <sup>2</sup> ]	4.96	≥ 2.5	Buckle - 2	Result	Required	Width of button for enclosed [mm]	-	≥ 15	Surface area of button for enclosed [cm <sup>2</sup> ]	-	≥ 4.5	Width of button for non-enclosed [mm]	13.0	≥ 10	Surface area of button for non-enclosed [cm <sup>2</sup> ]	2.88	≥ 2.5	Buckle - 3	Result	Required	Width of button for enclosed [mm]	-	≥ 15	Surface area of button for enclosed [cm <sup>2</sup> ]	-	≥ 4.5	Width of button for non-enclosed [mm]	17.0	≥ 10	Surface area of button for non-enclosed [cm <sup>2</sup> ]	6.46	≥ 2.5	
Buckle - 1	Result	Required																																													
Width of button for enclosed [mm]	-	≥ 15																																													
Surface area of button for enclosed [cm <sup>2</sup> ]	-	≥ 4.5																																													
Width of button for non-enclosed [mm]	16.4	≥ 10																																													
Surface area of button for non-enclosed [cm <sup>2</sup> ]	4.96	≥ 2.5																																													
Buckle - 2	Result	Required																																													
Width of button for enclosed [mm]	-	≥ 15																																													
Surface area of button for enclosed [cm <sup>2</sup> ]	-	≥ 4.5																																													
Width of button for non-enclosed [mm]	13.0	≥ 10																																													
Surface area of button for non-enclosed [cm <sup>2</sup> ]	2.88	≥ 2.5																																													
Buckle - 3	Result	Required																																													
Width of button for enclosed [mm]	-	≥ 15																																													
Surface area of button for enclosed [cm <sup>2</sup> ]	-	≥ 4.5																																													
Width of button for non-enclosed [mm]	17.0	≥ 10																																													
Surface area of button for non-enclosed [cm <sup>2</sup> ]	6.46	≥ 2.5																																													
6.7.1.4.	Specification of shoulder strap positioner	<b>Not applicable</b>																																													
	<table border="1" style="width: 100%; border-collapse: collapse;"> <thead> <tr> <th style="text-align: center;">Shoulder strap positioner</th> <th style="text-align: center;">Result</th> <th style="text-align: center;">Required</th> </tr> </thead> <tbody> <tr> <td>Force required to close [N]</td> <td style="text-align: center;">-</td> <td style="text-align: center;">&lt; 15</td> </tr> <tr> <td>Force required to release [N]</td> <td style="text-align: center;">-</td> <td style="text-align: center;">&lt; 15</td> </tr> <tr> <td>Height of shoulder strap positioner [mm]</td> <td style="text-align: center;">-</td> <td style="text-align: center;">&lt; 60</td> </tr> </tbody> </table>	Shoulder strap positioner	Result	Required	Force required to close [N]	-	< 15	Force required to release [N]	-	< 15	Height of shoulder strap positioner [mm]	-	< 60																																		
Shoulder strap positioner	Result	Required																																													
Force required to close [N]	-	< 15																																													
Force required to release [N]	-	< 15																																													
Height of shoulder strap positioner [mm]	-	< 60																																													
6.7.1.5.	Opening of the buckle shall enable the child to be removed independently of the "chair", "chair support" or "impact shield", if fitted, and if the device includes a crotch strap the crotch strap shall be released by operation of the same buckle.	<b>In conformity</b>																																													
6.7.1.6.	Cycling before dynamic test: (5000 ± 5 opening and closing cycles)	<b>In conformity</b>																																													

6.7.1.7.1. Loaded buckle opening force:

**In conformity**

6.7.1.7.2. Results of unloaded buckle opening force

**In conformity**

Buckle - 1	Result	Required
Sample 1	67.8	40~80 N
Sample 2	71.2	

Buckle - 2	Result	Required
Sample 1	62.3	40~80 N
Sample 2	60.5	

Buckle - 3	Result	Required
Sample 1	53.7	40~80 N
Sample 2	55.6	

6.7.1.8. Results of strength tests

**In conformity**

Buckle - 1	Result	Required
Sample 1	13.7	4 kN / 10 kN for mass limit $\leq 13\text{kg} / > 13\text{kg}$
Sample 2	14.1	

Buckle - 2	Result	Required
Sample 1	20.6	4 kN / 10 kN for mass limit $\leq 13\text{kg} / > 13\text{kg}$
Sample 2	21.2	

Buckle - 3	Result	Required
Sample 1	18.3	4 kN / 10 kN for mass limit $\leq 13\text{kg} / > 13\text{kg}$
Sample 2	19.8	

6.7.2. Results of adjusting device

**In conformity**

Adjusting device		Measured	Required
Manual adjusting force [N]	Sample 1	24.5	$\leq 50$
	Sample 2	25.1	
Repeated operation before dynamic test [cycles]		5000	$5000 \pm 5$
Microslip [mm]	Sample 1	5	$\leq 25$
	Sample 2	4	

6.7.3. Retractors:

**Not applicable**

6.7.4. Straps

**In conformity**

**Results of strength tests**

		Requirements	Measured value		
Strap		-	25 mm	38 mm	
Strap width [mm] strained by 75% of its breaking load	Sample 1	≥25	25.9	38.7	
	Sample 2	≥25	25.9	38.7	
Strength F [kN] after room conditioning	Sample 1 (F1) - bigger value		13.9	19.2	
	Sample 2 (F2) - smaller value		13.4	19.2	
Difference between F1 and F2 (< 10% of the bigger value of F1, F2)			3.6%	0.0%	
Force [kN] of the strap destruction after its special conditioning	75% of the average of F1 and F2		10.2	14.4	
	light conditioning	Sample 1	≥3.6 kN, and ≥75% of the average of F1 and F2	12.8	17.4
		Sample 2		12.9	17.6
	cold conditioning	Sample 1		13.8	19.3
		Sample 2		13.8	19.3
	heat conditioning	Sample 1		13.8	19.2
		Sample 2		13.9	19.3
	exposure to water	Sample 1		13.8	18.6
		Sample 2		13.9	19.6
	abrasion conditioning	Sample 1		-	-
		Sample 2		-	-

6.7.5.1. Results of ISOFIX attachments and latching indicators

	Measured	Required
Repeated operations before dynamic test	2000	2000 ± 5

**In conformity**

6.7.5.2. Two consecutive actions, or ~~Results of opening force~~

	Sample	Measured	Required
Opening force [N]	1	-	≥ 50
	2	-	

**In conformity**

6.7.6. Lock-off device

6.7.6.1. The lock-off device shall be permanently attached to the ECRS. **Not applicable**

6.7.6.2. The lock-off device shall not impair the durability of the adult belt and shall undergo the temperature test operation requirements given in paragraph 7.2.7.1. **Not applicable**

6.7.6.3. The lock-off device shall not prevent the rapid release of the child. **Not applicable**

6.7.6.4.- Results of microslip of lock-off device for class A device according to **Not applicable**  
 6.7.6.5. 7.2.9.1. / class B device according to 7.2.9.2.

	Sample	Measured	Required
Amount of slip of webbing [mm]	1	-	≤ 25
	2	-	

6.8. Classification: **In conformity**

9 Production qualification

9.2 Production qualification test **In conformity**

Type of dynamic test device: **Acceleration / ~~deceleration~~**

Dynamic test curves: **Meet the requirements, see Graphs: Dynamic test curves of sled test trolley as below**

Position of buckle during the test: **76-105cm: on the dummy abdomen  
 100-150cm: buckle for adult seat**

Configuration of Test samples: **i-Size, integral, forward-facing (76-105cm)**  
 (Sample No. PQT-1 to 5)

Remarks: **Detailed results of dynamic test see below Table 7**

Table 7

Testing parameter		Limit	Result				
ECRS Class		-	Integral / <del>non-integral</del>				
ECRS orientation		-	Forward-facing / <del>rearward-facing</del> / <del>lateral-facing</del>				
Impact direction		-	Frontal / <del>rear</del> / <del>lateral</del>				
Backrest position		-	Upright / inclined / <del>fixed</del>				
ISOFIX attachments		-	N/A / W / <del>W/O</del>				
Anti-rotation device		-	Top tether / support leg / <del>N/A</del>				
Sample No.		-	PQT-1	PQT-2	PQT-3	PQT-4	PQT-5
Used dummy		-	Q1.5 / Q3 / <del>Q6</del> / <del>Q10</del>				
Adult safety-belt bench installation force of lab belt [N]		45-55	N/A	N/A	N/A	N/A	N/A
Adult safety-belt bench installation force of shoulder belt [N]		45-55	N/A	N/A	N/A	N/A	N/A
Trolley impact speed [km/h]		<del>48-50</del> /50-52	51.0	50.6	51.4	51.1	51.0
Stopping distance during test [mm]**		600-700	N/A	N/A	N/A	N/A	N/A
Head performance criterion, HPC(15)		≤ <del>600</del> /800	309	345	352	333	346
Head acceleration 3ms [g]	Head acceleration 3ms [g]	≤ <del>75</del> /80	55.1	57.6	58.7	56.5	59.0
	X (mean of the values)	-	57.4				
	S (standard deviation of the values)	-	1.4				
	X + S	-	58.8				
	1.05L (limit value prescribed)	-	84.0				
Chest acceleration 3ms [g]	Chest acceleration 3ms [g]	≤ 55	29.9	31.3	31.6	33.2	33.6
	X (mean of the values)	-	31.9				
	S (standard deviation of the values)	-	1.3				
	X + S	-	33.3				
	1.05L (limit value prescribed)	-	57.8				
Chest deflection, TBC [mm]		-	32.1	32.7	31.9	32.6	34.1
Upper neck tension force, Fz [N]		-	1616	2001	1879	1861	1895
Upper neck flexion moment, My [Nm]		-	21.4	22.6	20.9	21.7	18.1
Abdominal pressure, P [bar]	L	≤ 1.0/ <del>4.2</del>	0.35	0.38	0.42	0.36	0.43
	R	≤ 1.0/ <del>4.2</del>	0.35	0.38	0.39	0.41	0.38
Maximum of head displacement	x [mm] (horizontal)	≤ <del>700</del> /500	382	385	414	407	396
	at time [ms]	-	111	112	115	112	112
	X (mean of the values)	-	397				
	S (standard deviation of the values)	-	12				
	X + S	-	409				
	1.05L (limit value prescribed)	-	525				
	z [mm] (vertical)	≤ 800/ <del>840</del>	707	696	714	708	708
	at time [ms]	-	88	83	88	87	84
Buckle open force after [N]		≤ 80	39	41	55	50	57
Failure or breakage		no	no	no	no	no	no

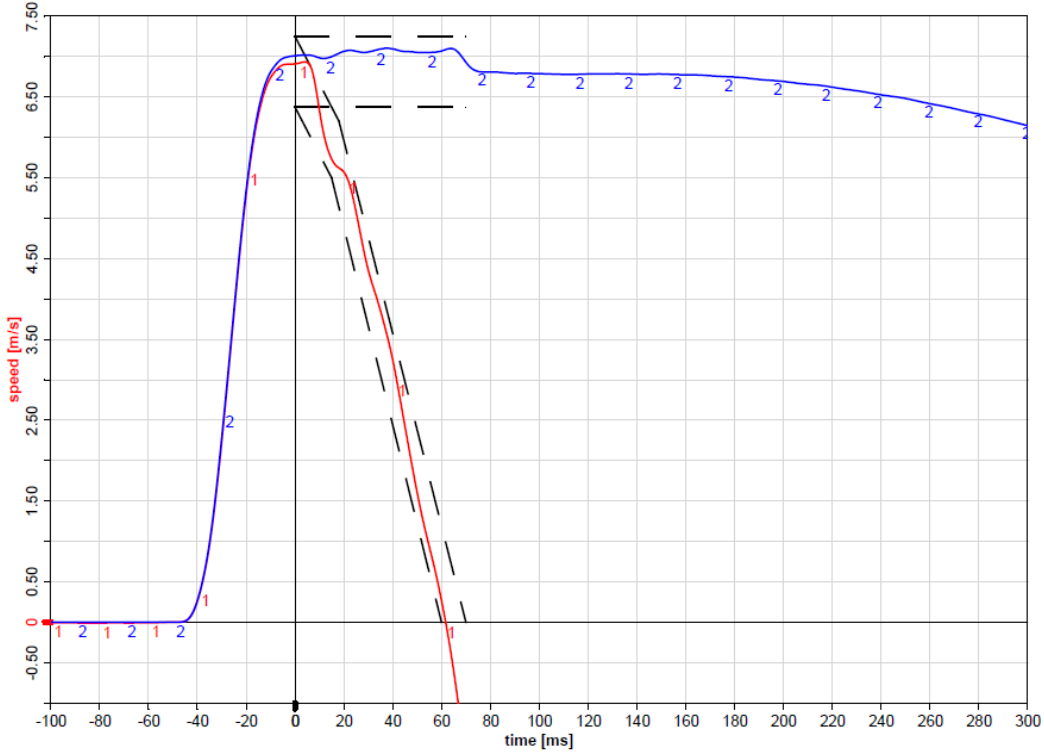
Remarks: No value shall exceed 1.05 L and X + S shall not exceed L



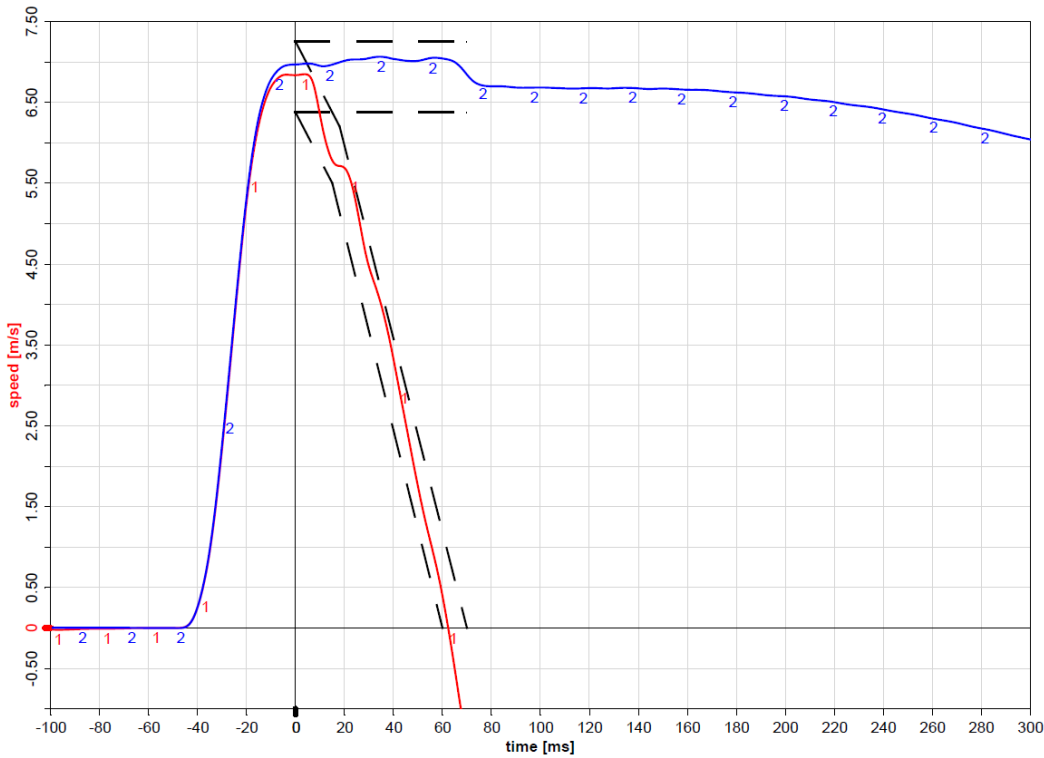
14	Instructions	
14.1.	ECRS is accompanied by instructions in the language of the country where the device is sold:	<b>In conformity</b>
14.2.	Instructions on installation	<b>In conformity</b>
14.3.	Instructions for use	<b>In conformity</b>
14.4.	'Quick-start guide' accompanied with the ECRS	<b>Not applicable</b>

**Graphs: Dynamic test curves of sled test trolley**

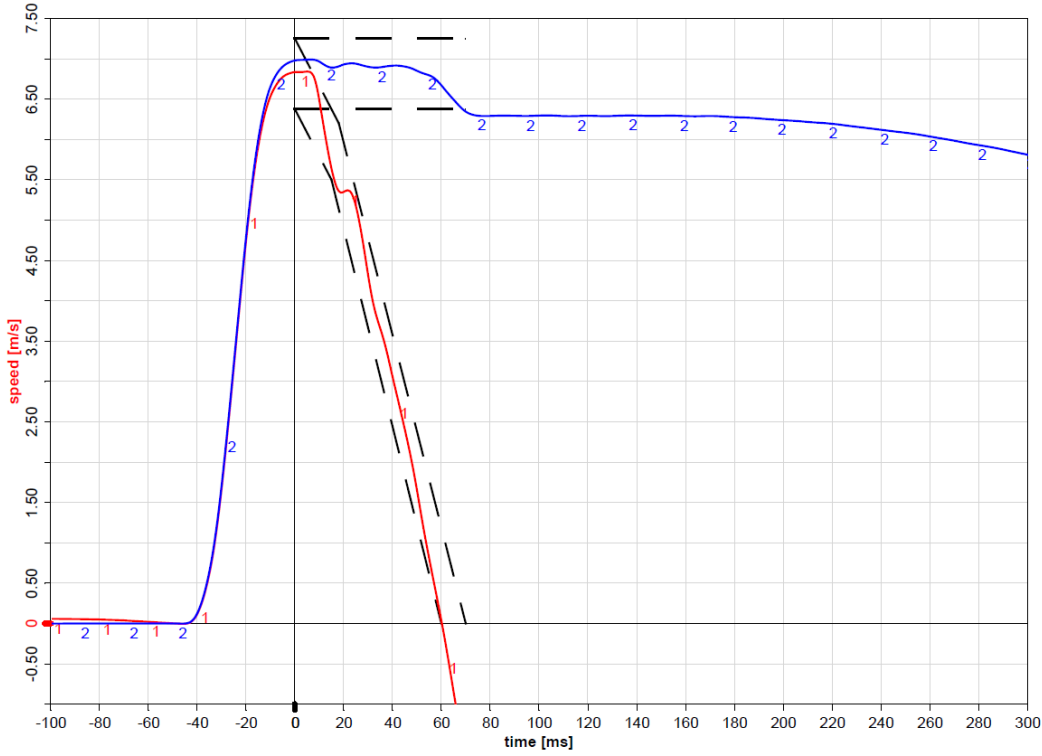
a) Tested sample No. 4 with test reference No. N22111



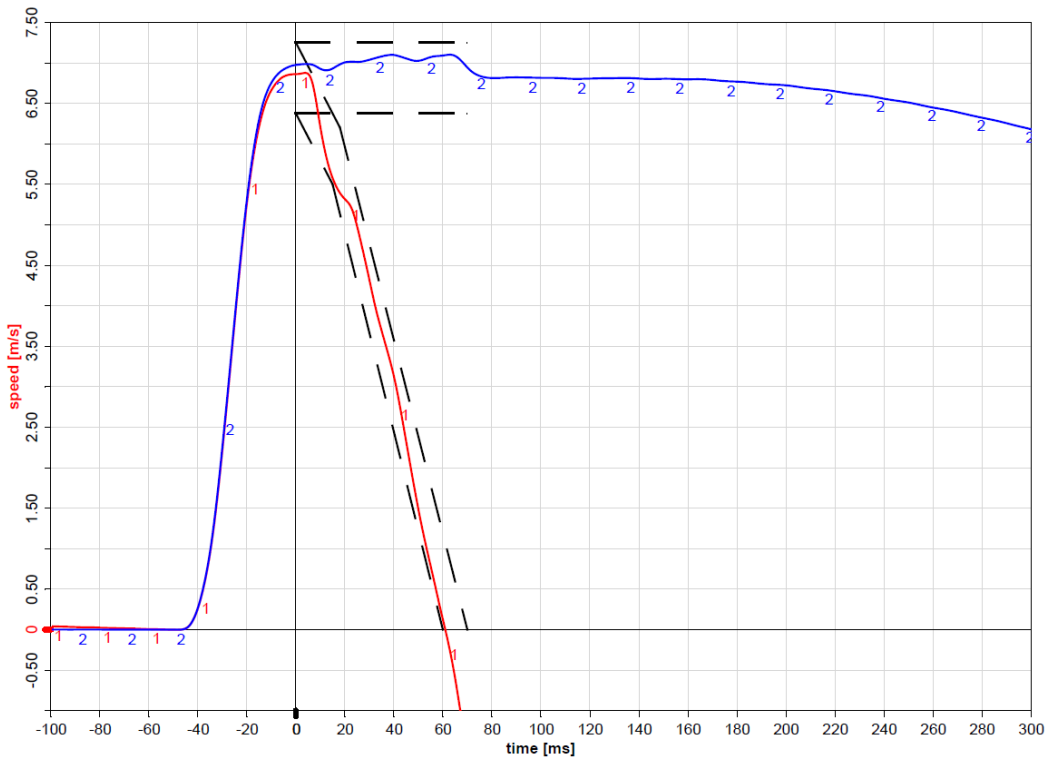
b) Tested sample No. 5 with test reference No. N22112



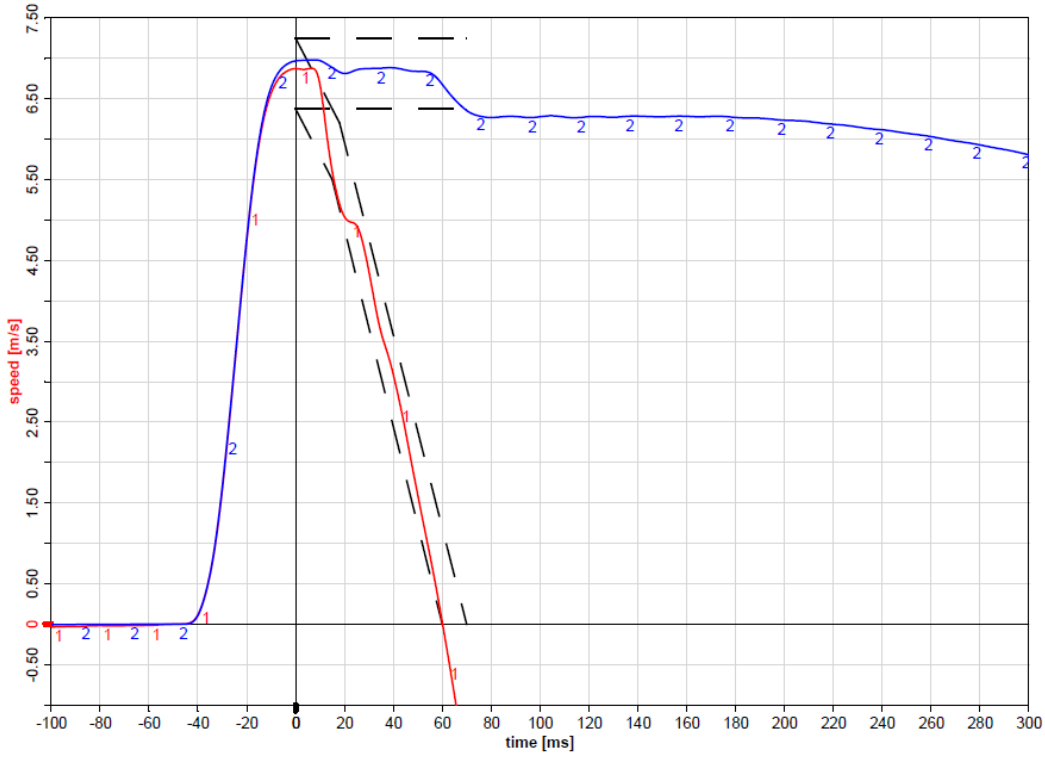
c) Tested sample No. 6 with test reference No. N22114



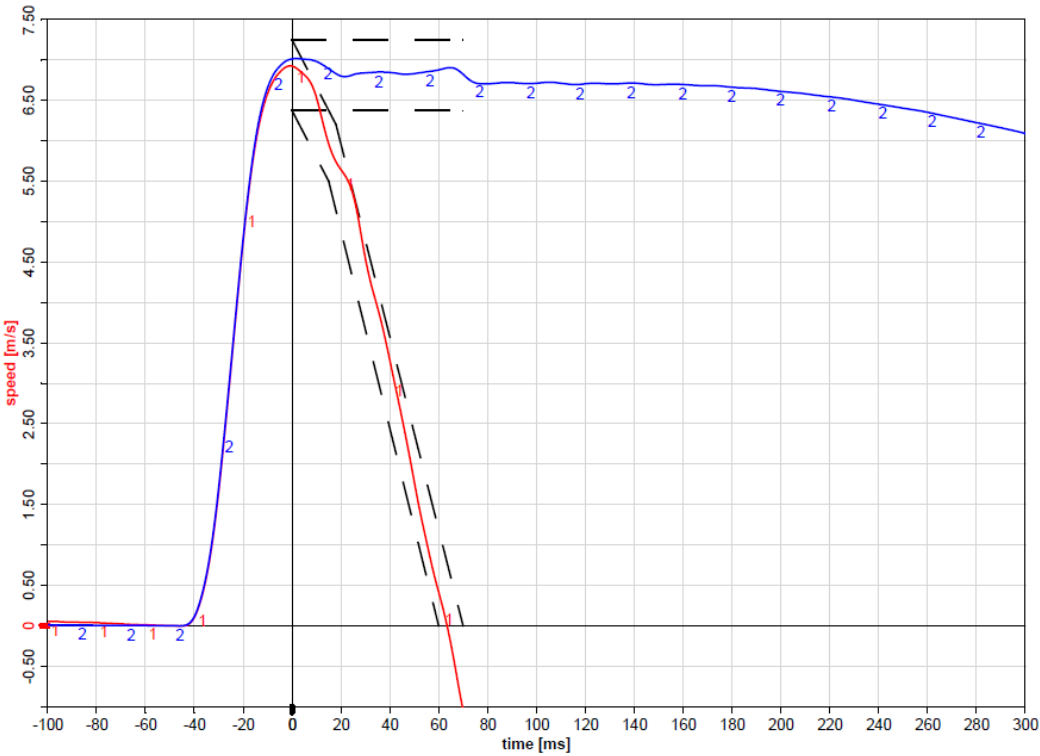
d) Tested sample No. 7 with test reference No. N22113



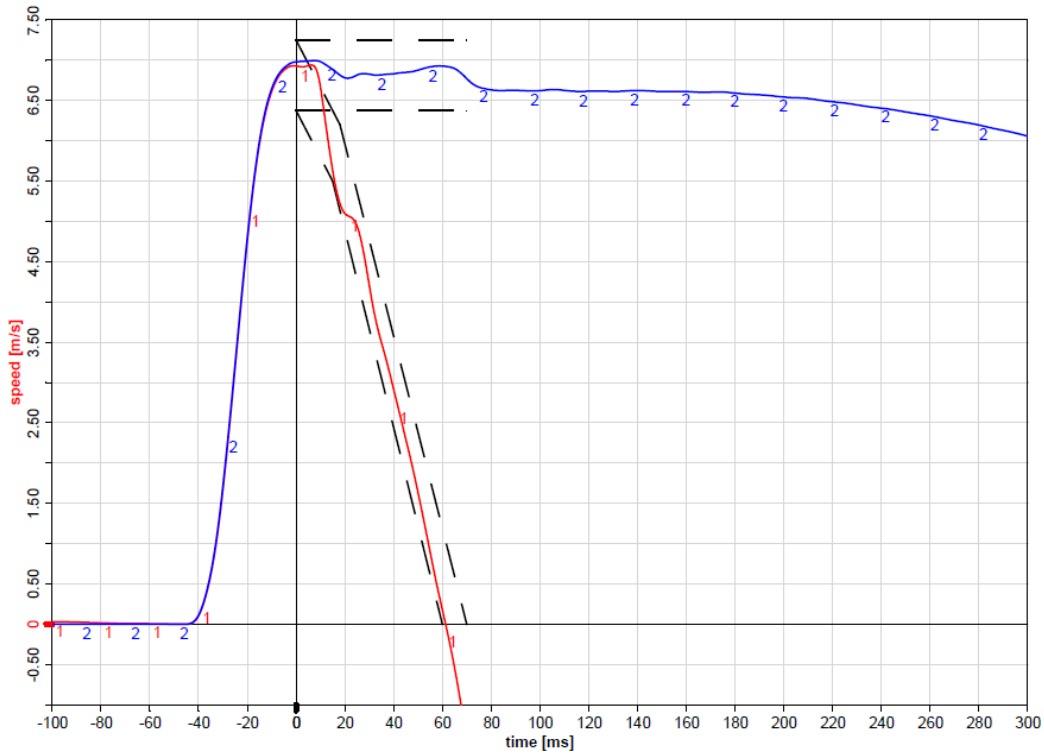
e) Tested sample No. 8 with test reference No. N22115



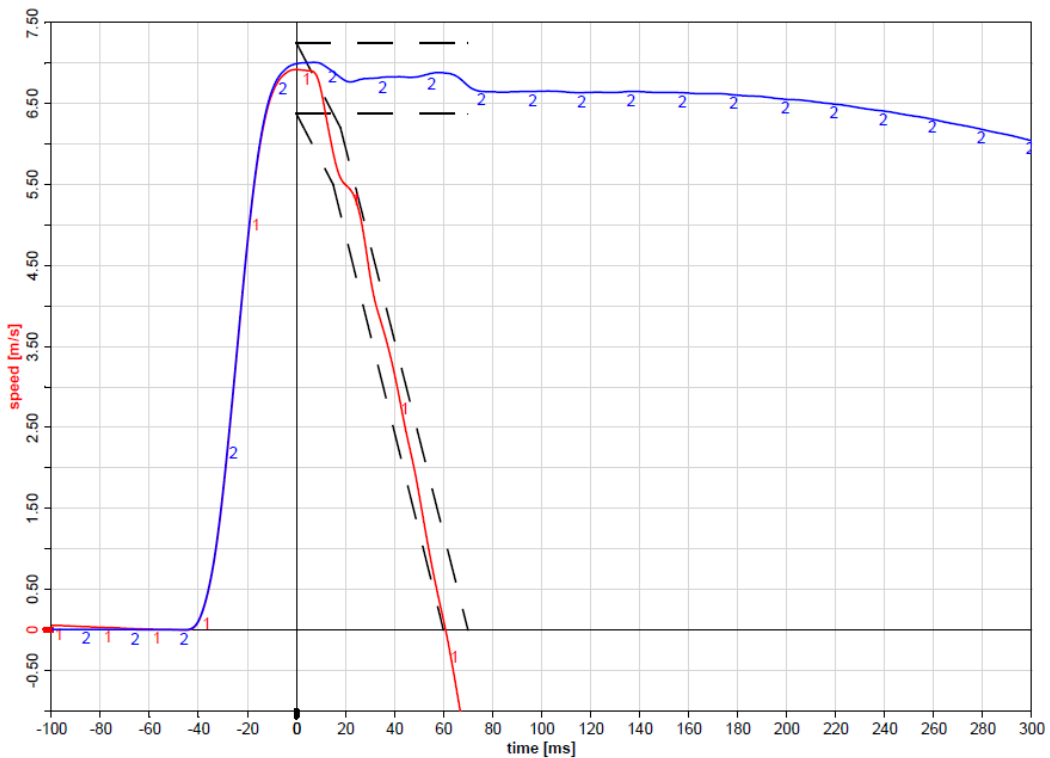
f) Tested sample No. 9 with test reference No. N22116



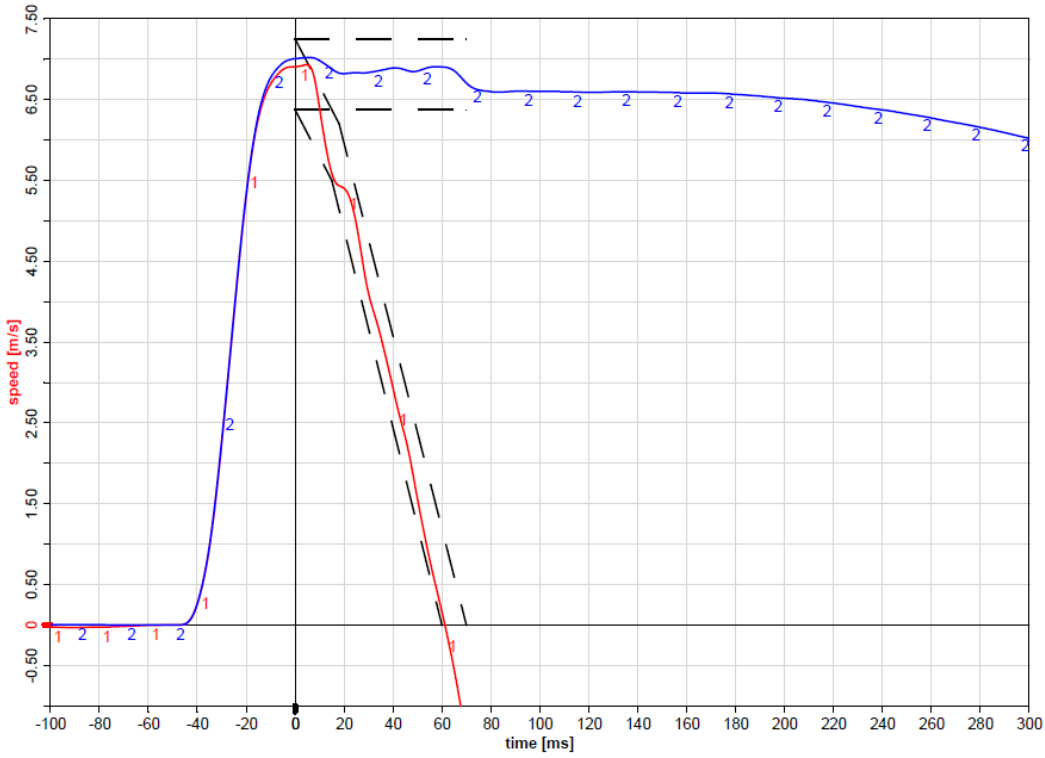
g) Tested sample No. 10 with test reference No. N22118



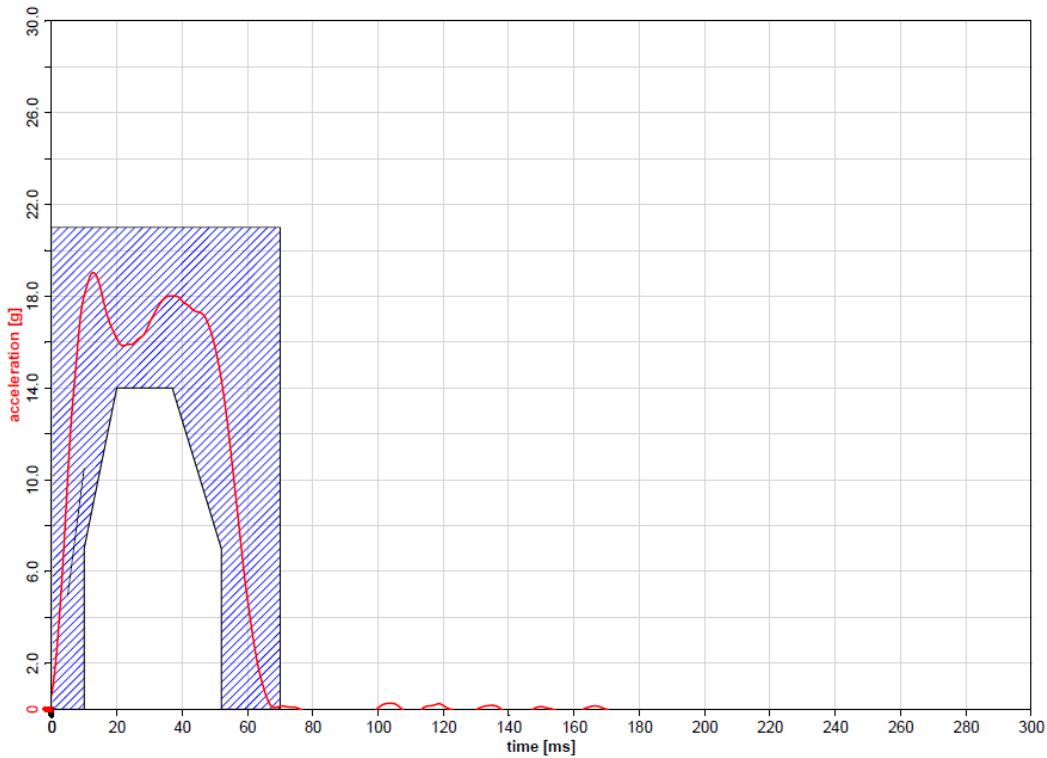
h) Tested sample No. 11 with test reference No. N22117



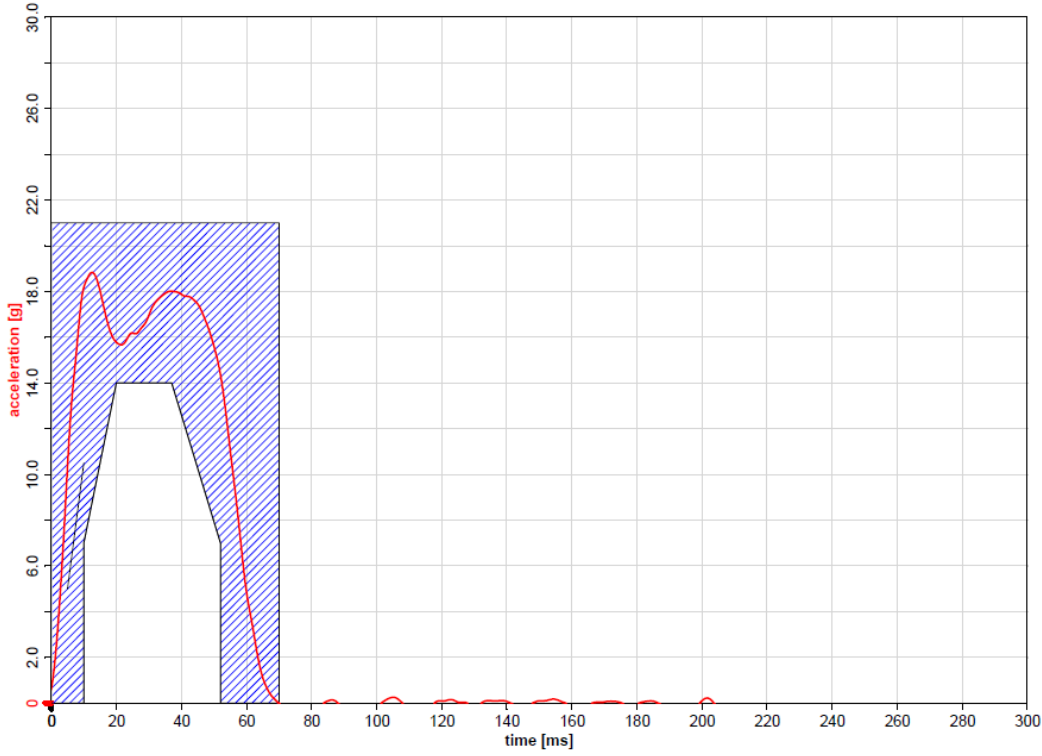
i) Tested sample No. 12 with test reference No. N22119



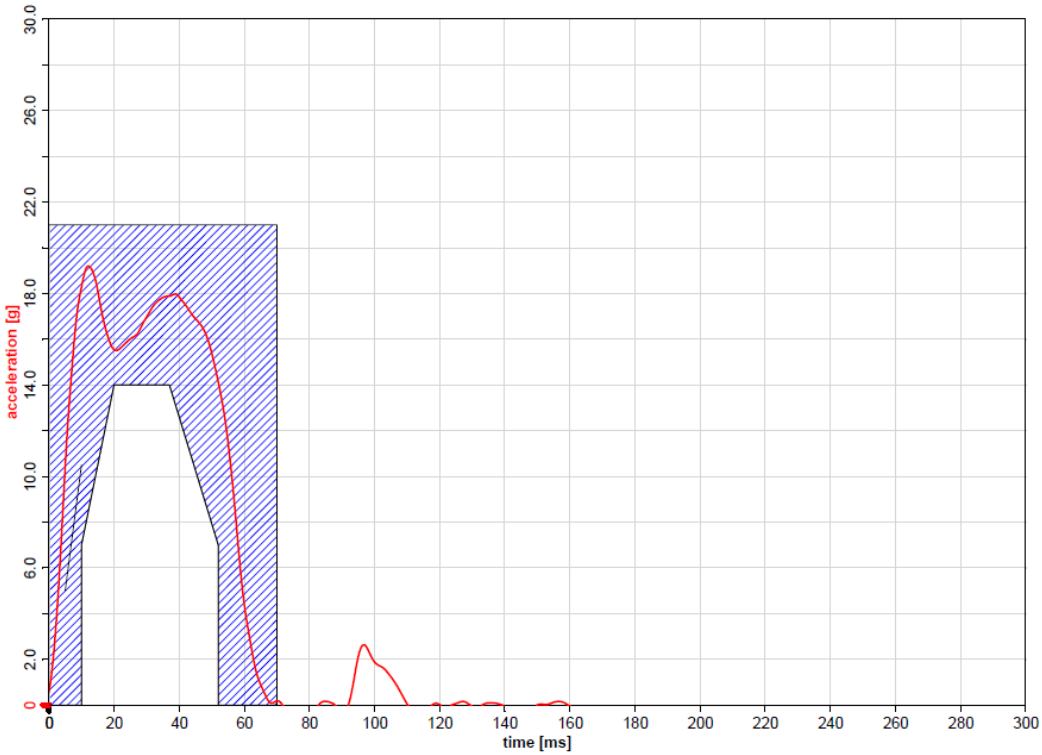
j) Tested sample No. 13 with test reference No. N22108



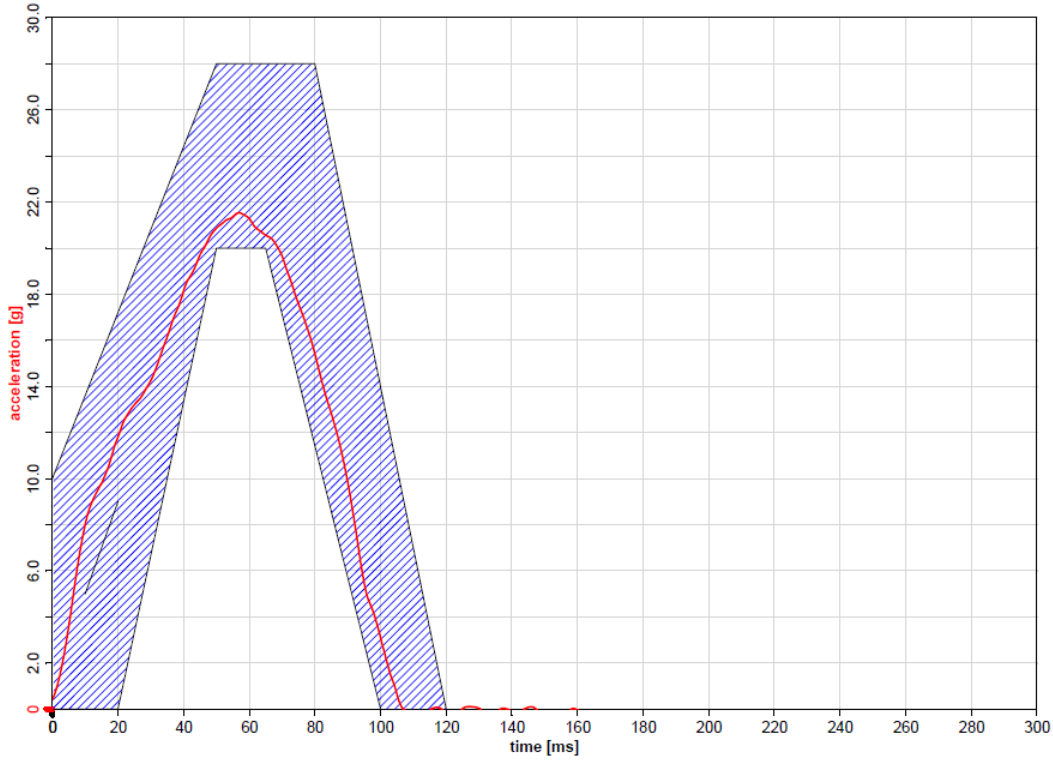
k) Tested sample No. 14 with test reference No. N22109



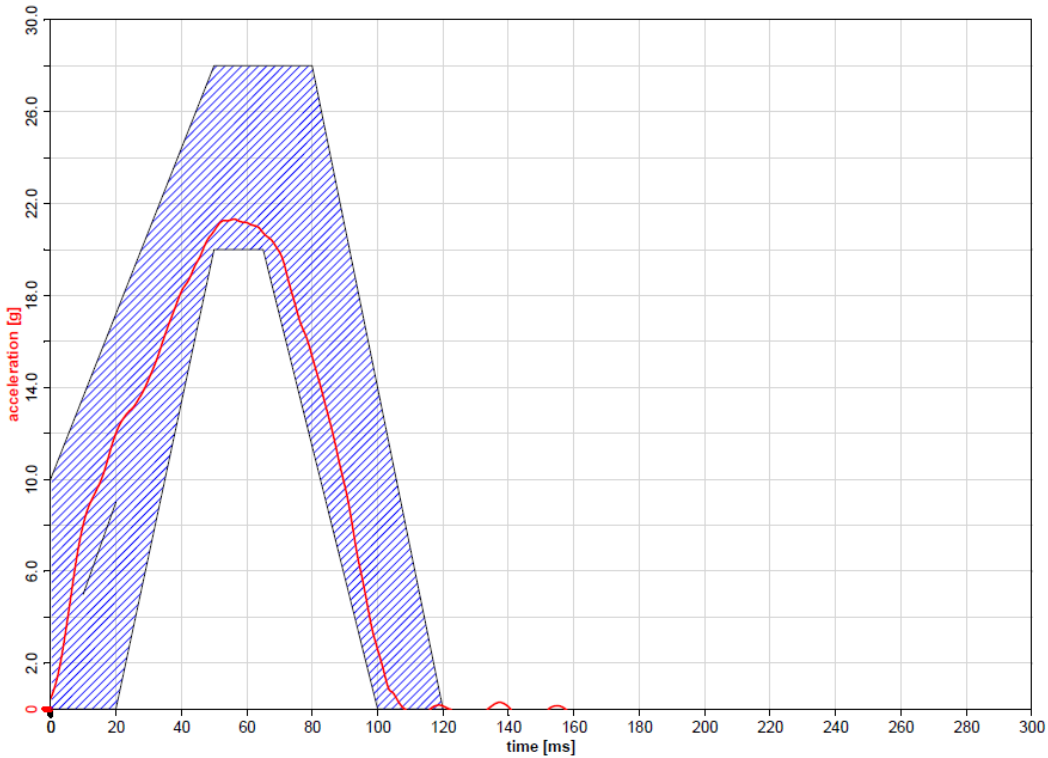
l) Tested sample No. 15 with test reference No. N22110



m) Tested sample No. 16 with test reference No. N22099

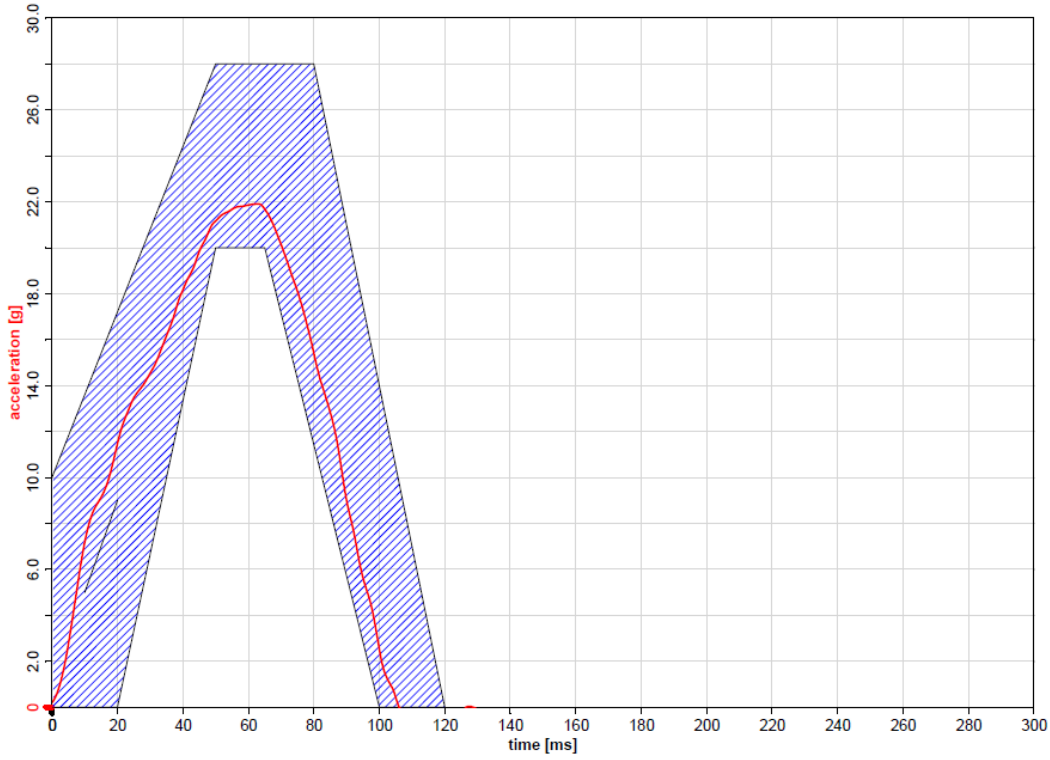


n) Tested sample No. 17 with test reference No. N22098

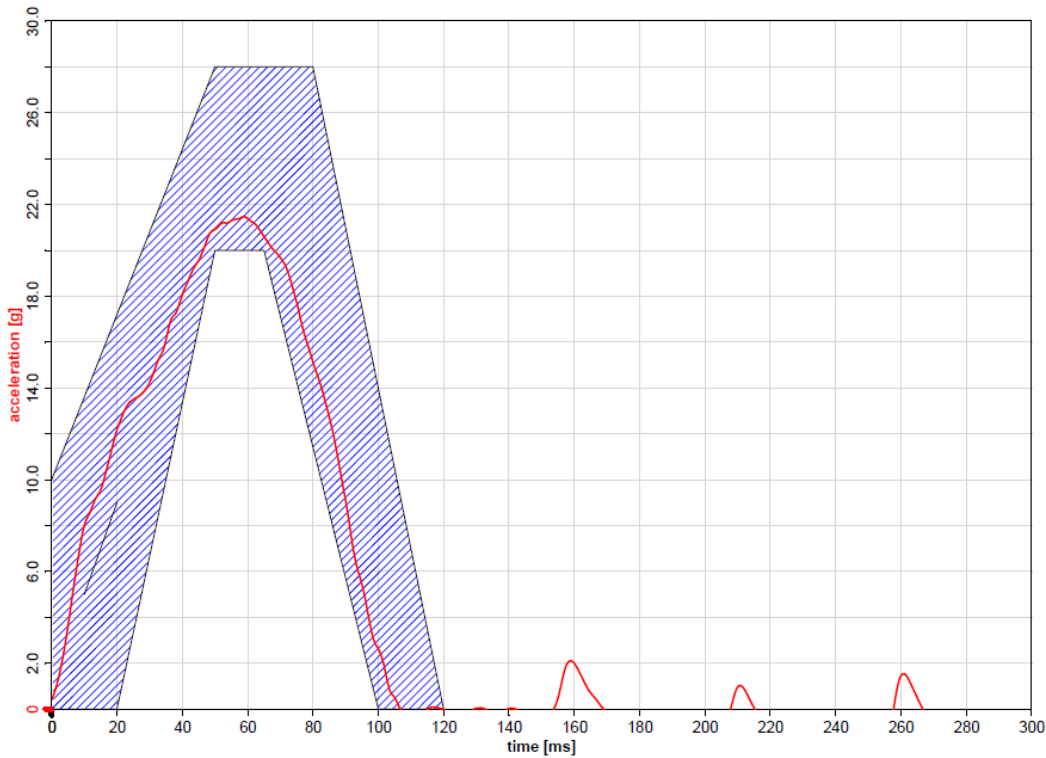




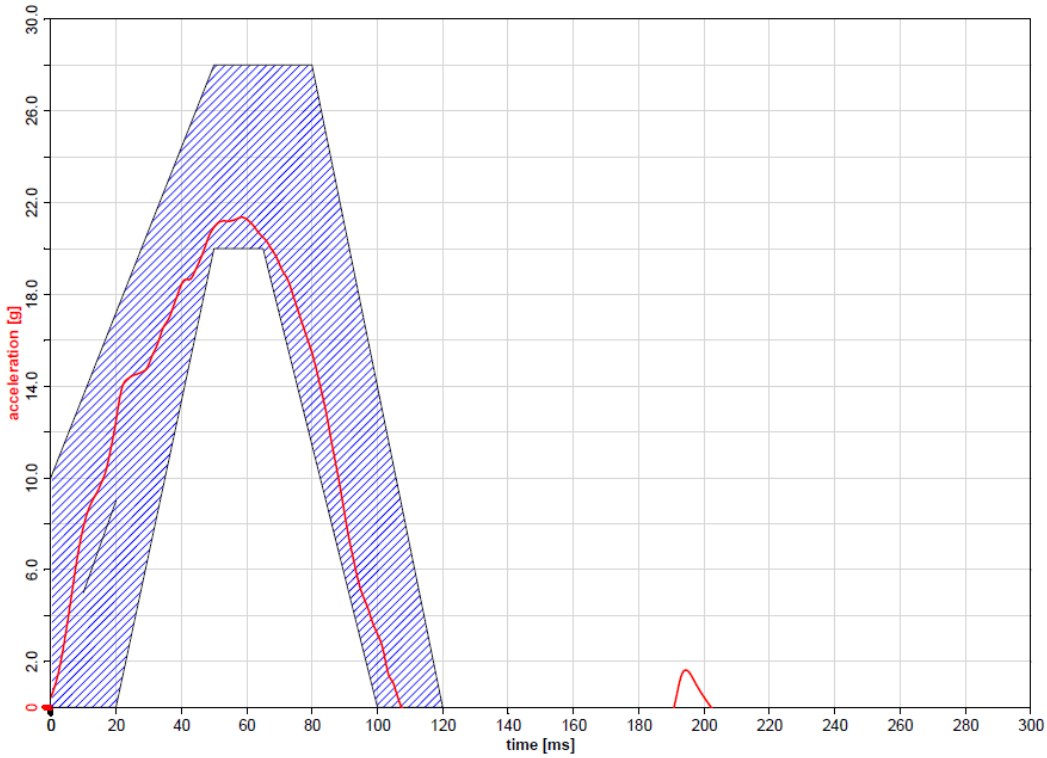
o) Tested sample No. 18 with test reference No. N22100



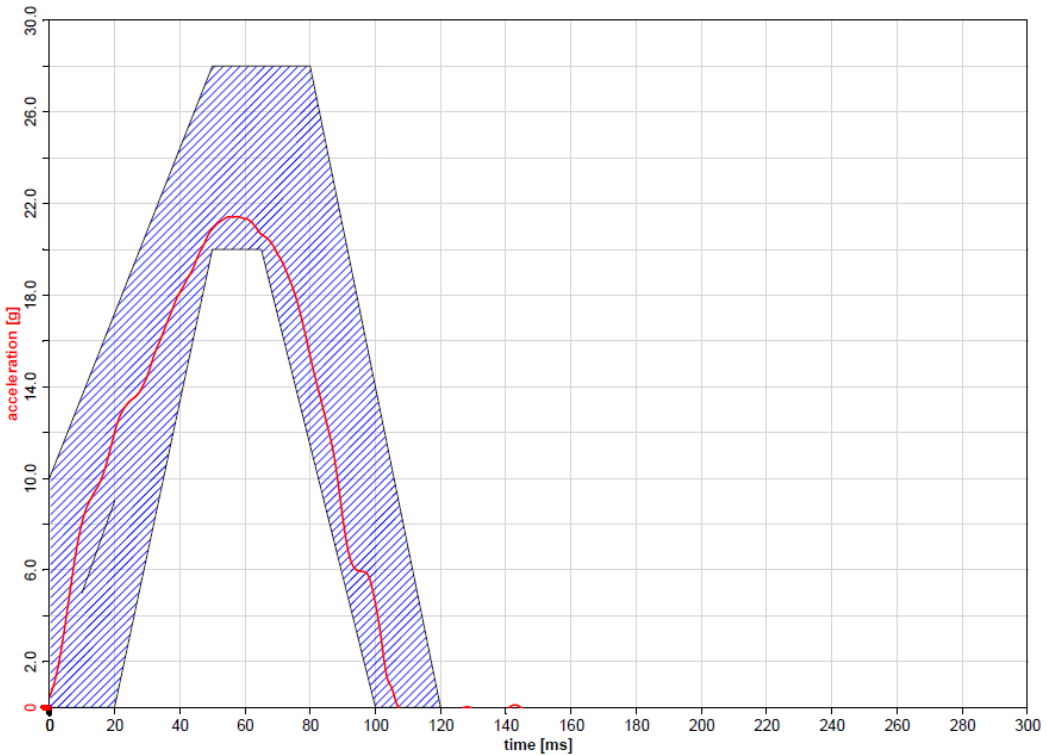
p) Tested sample No. 19 with test reference No. N22101



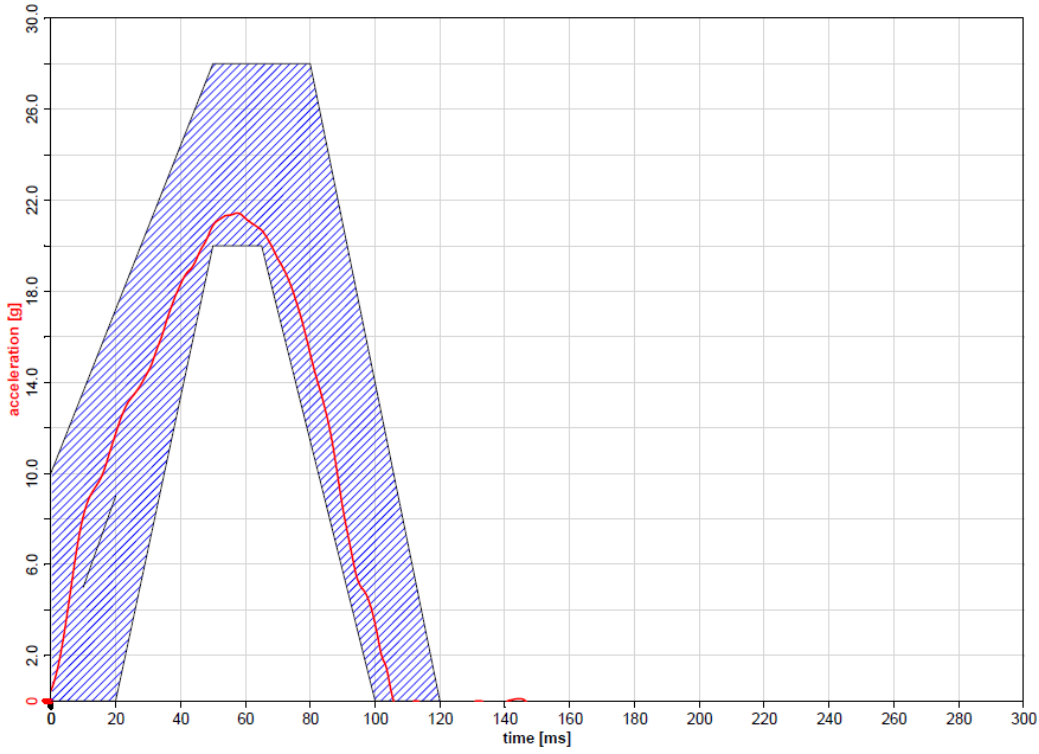
q) Tested sample No. 20 with test reference No. N22102



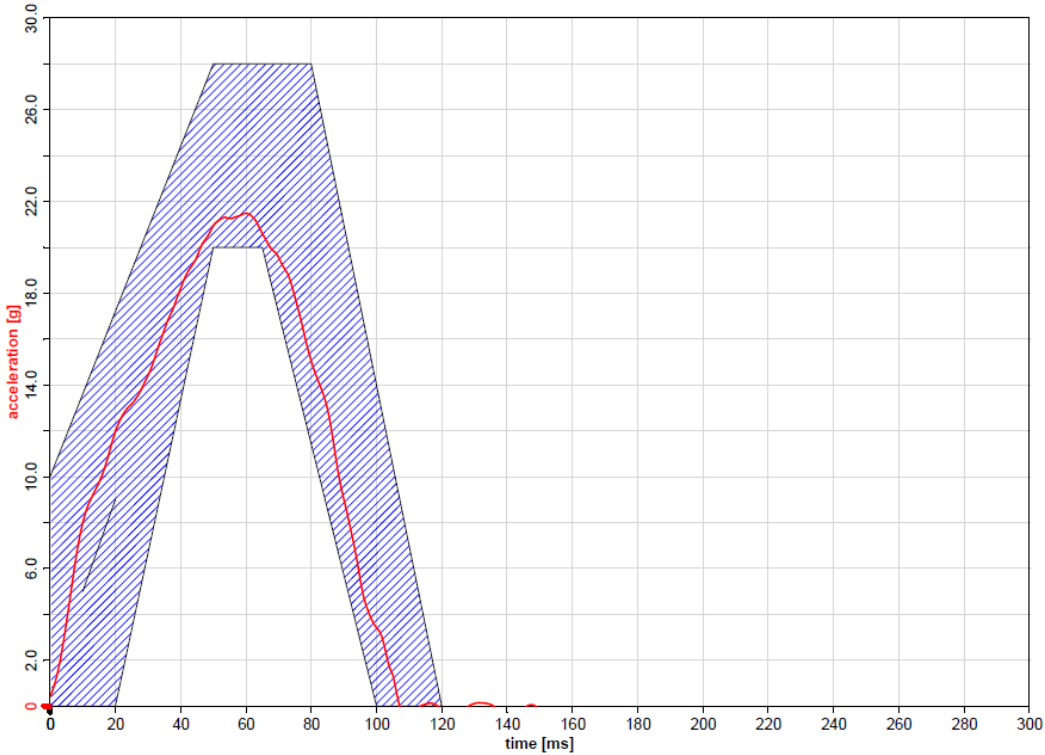
r) Tested sample No. 21 with test reference No. N22095



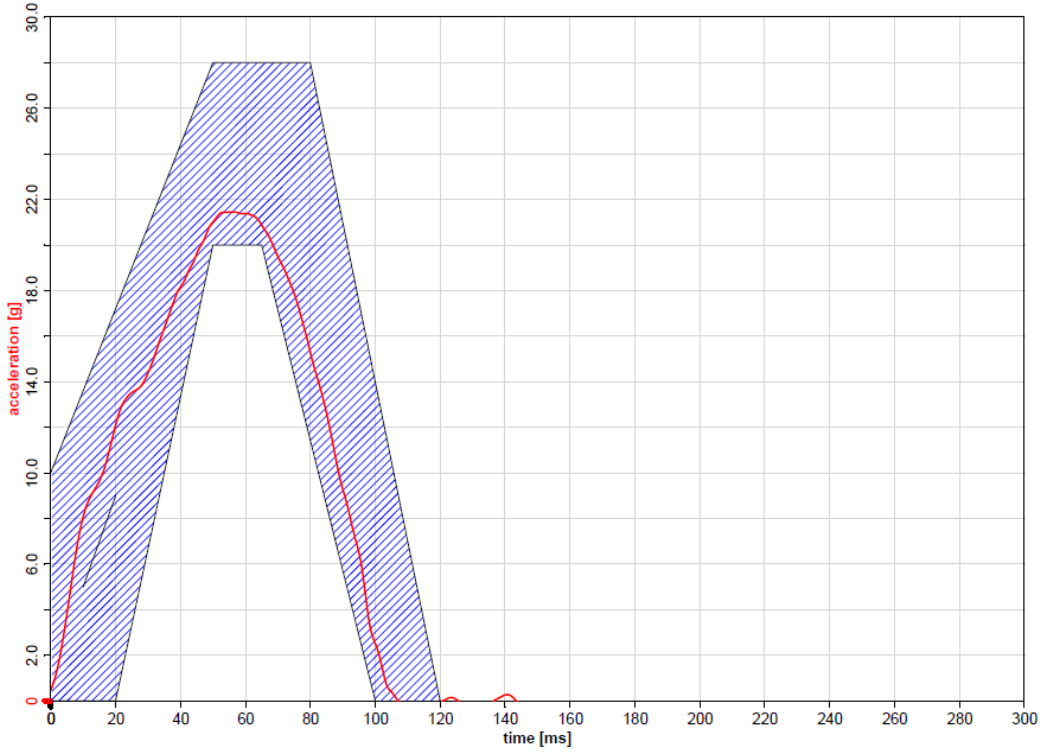
s) Tested sample No. 22 with test reference No. N22023



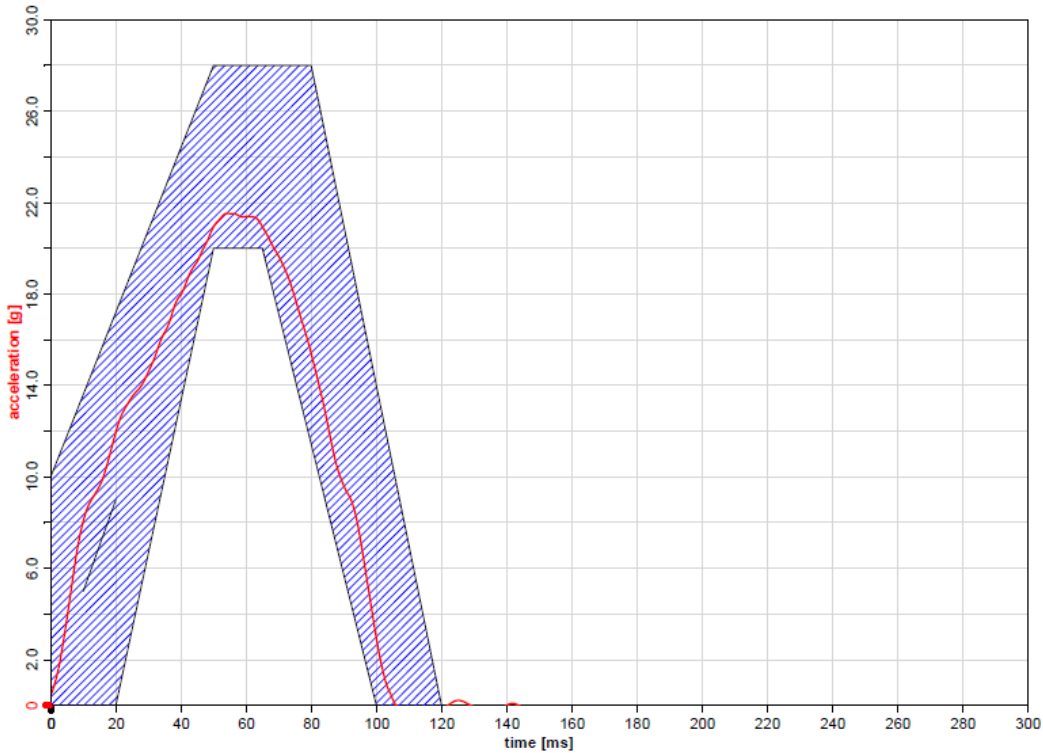
t) Tested sample No. 23 with test reference No. N22097



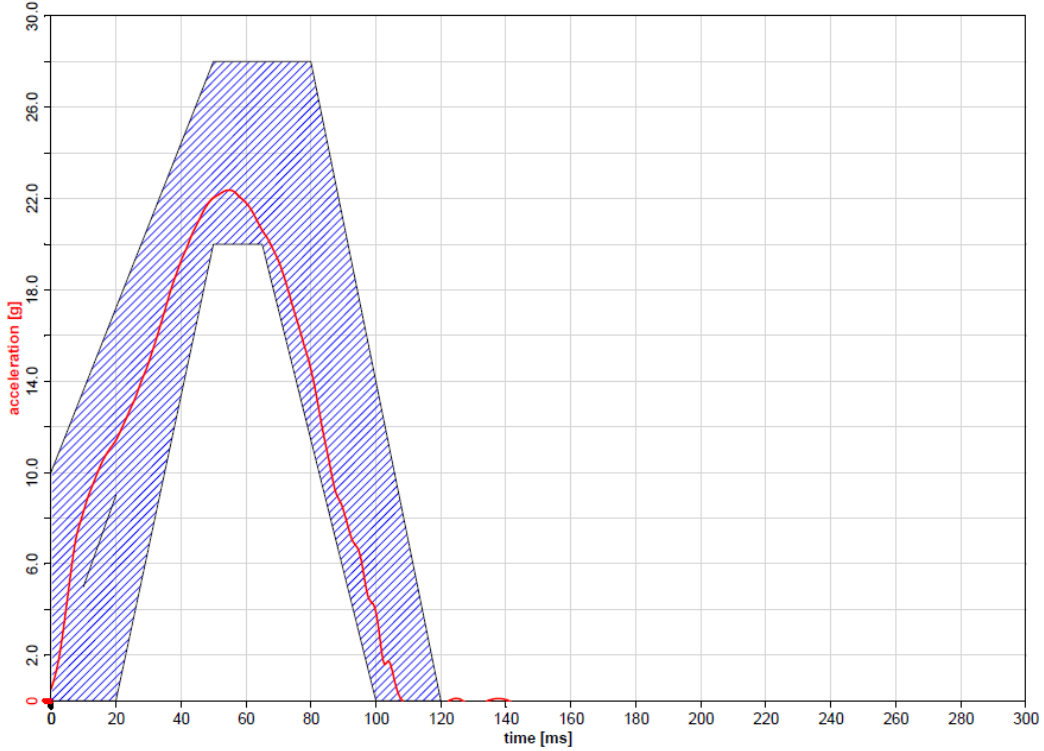
u) Tested sample No. 24 with test reference No. N22093



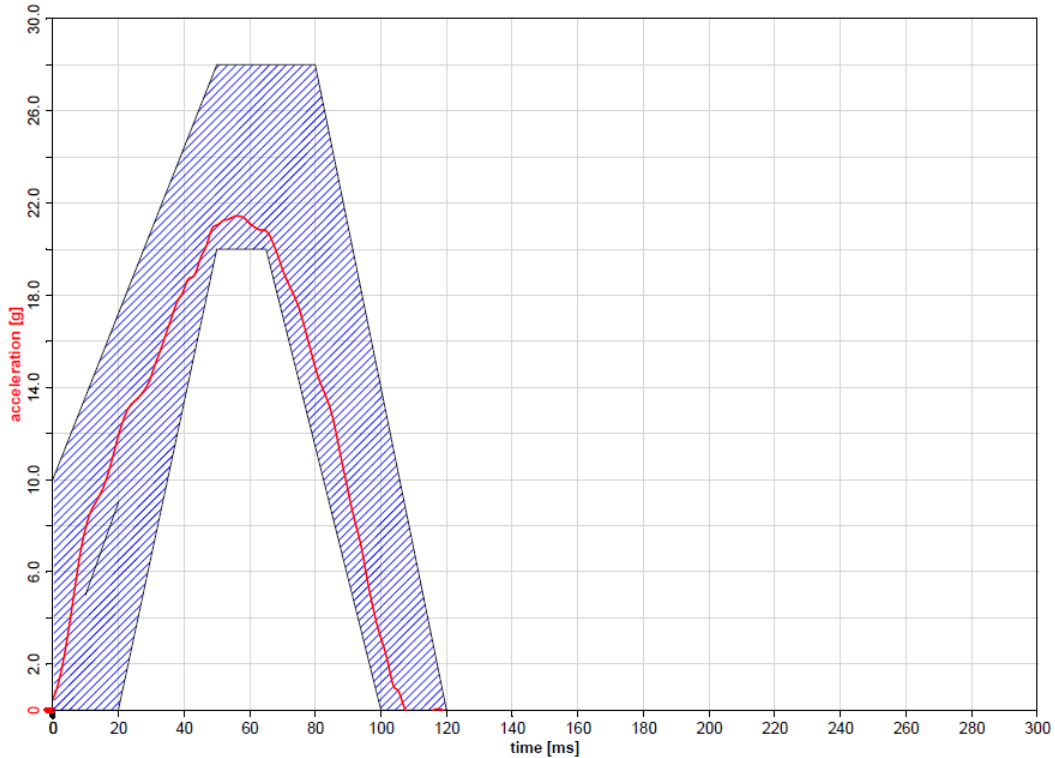
v) Tested sample No. 25 with test reference No. N22094



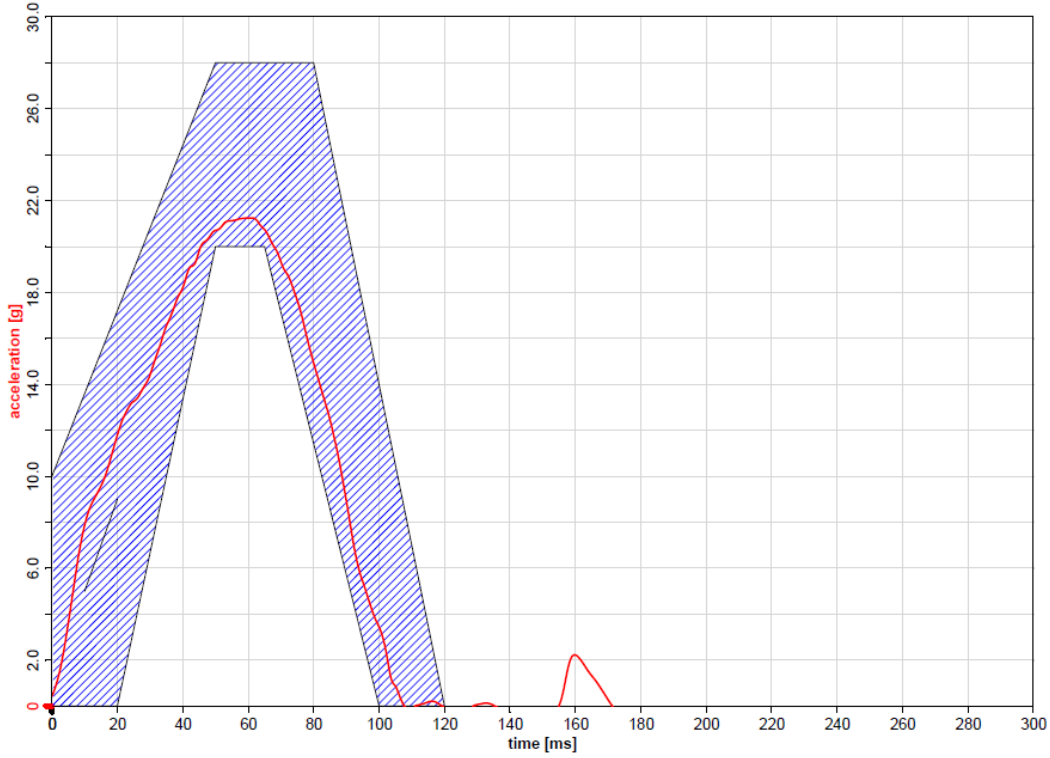
w) Tested sample No. 26 with test reference No. N22103



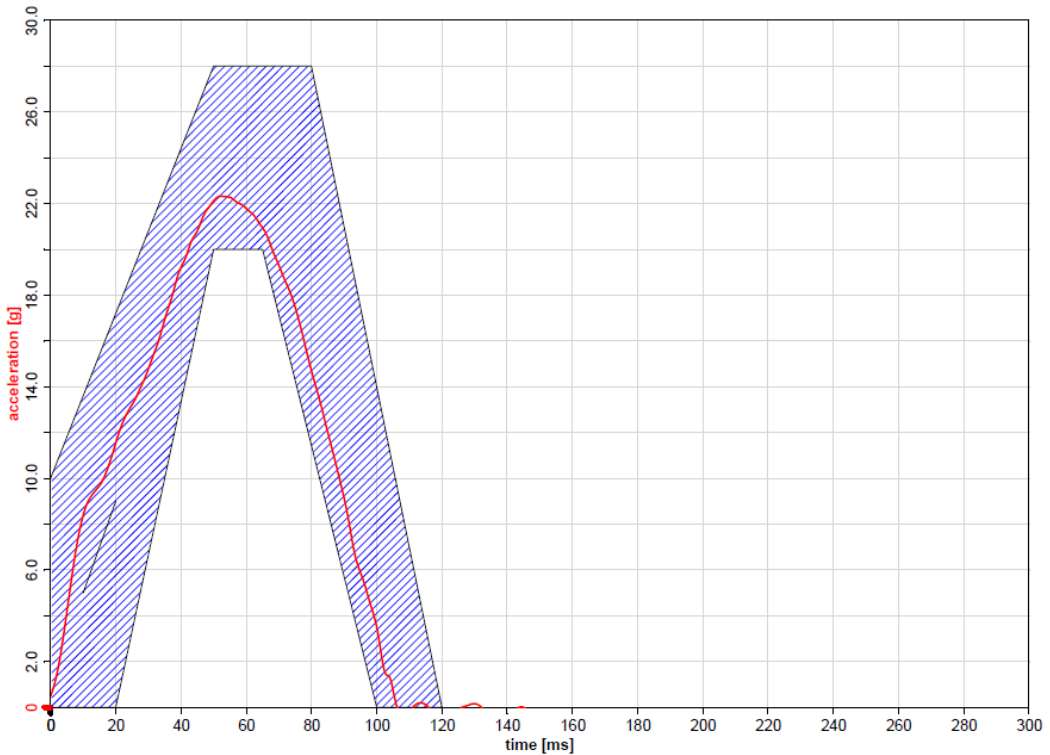
x) Tested sample No. 27 with test reference No. N22105



y) Tested sample No. 28 with test reference No. N22104

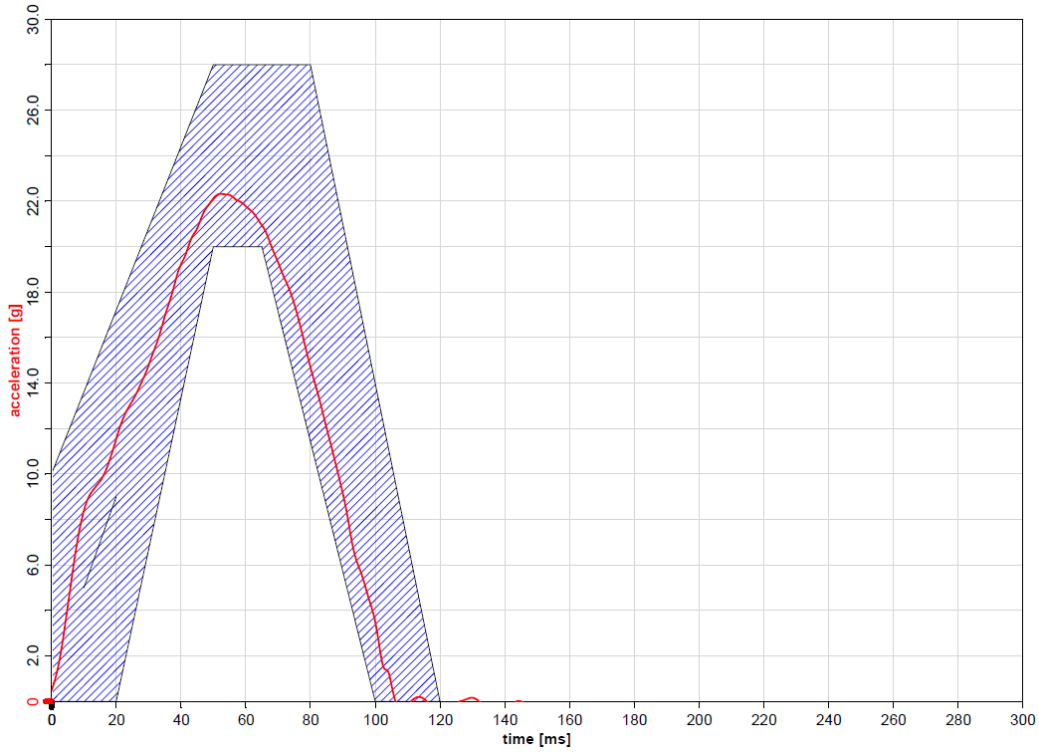


z) Tested sample No. 29 with test reference No. N22196

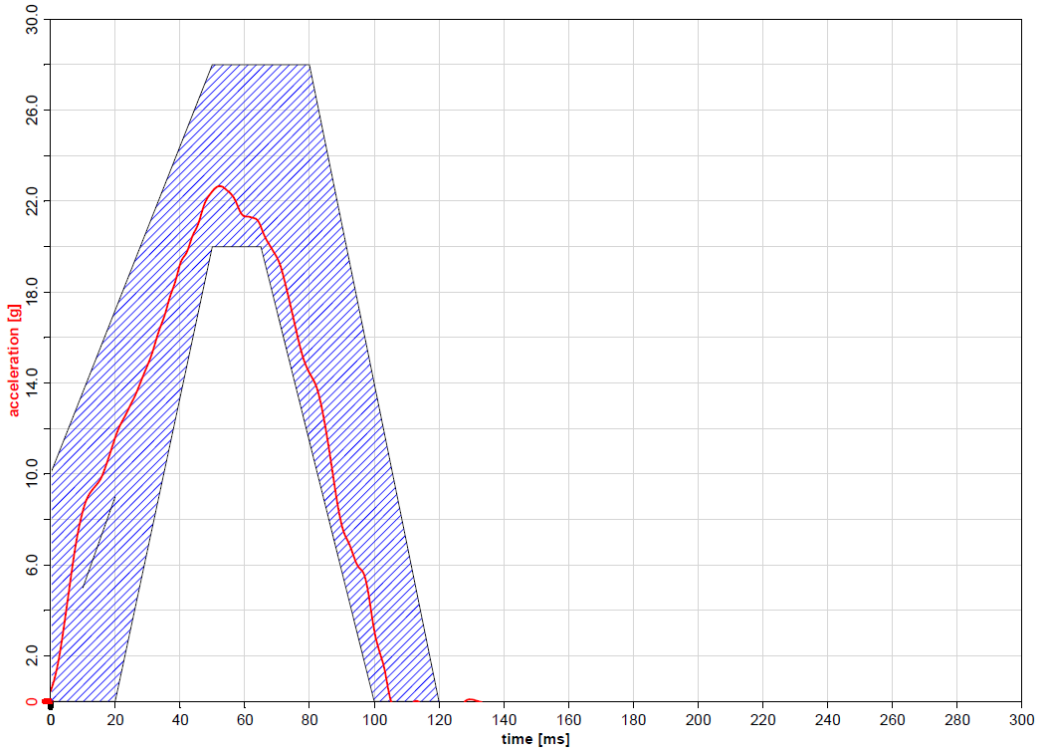




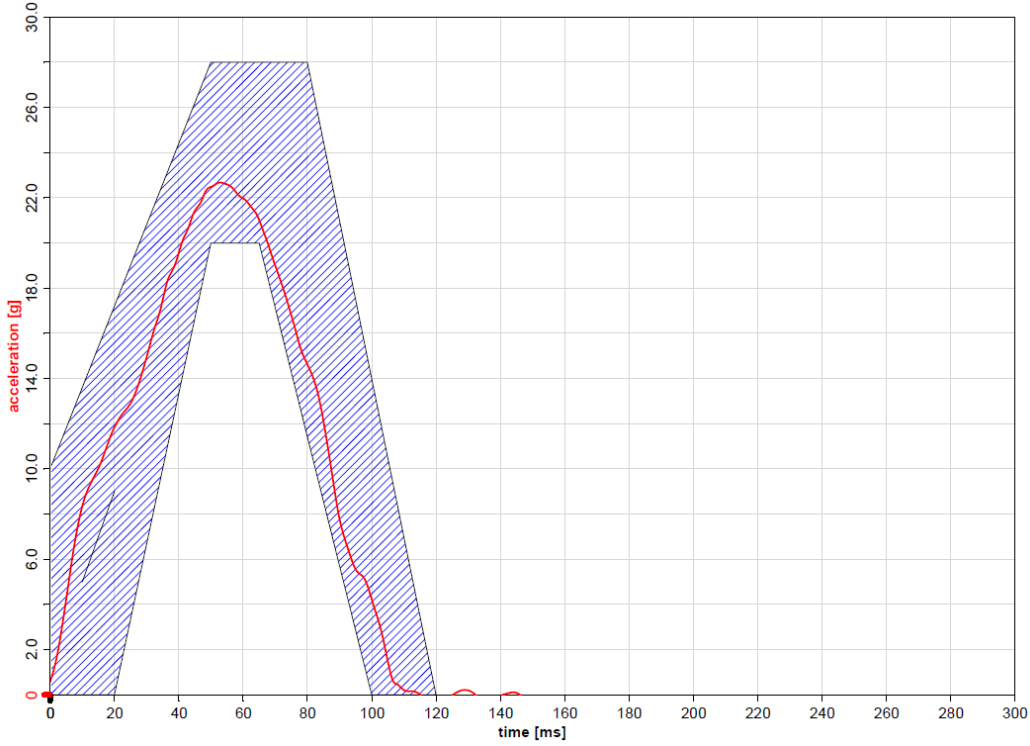
aa) Tested sample No. PQT-1 with test reference No. N22221



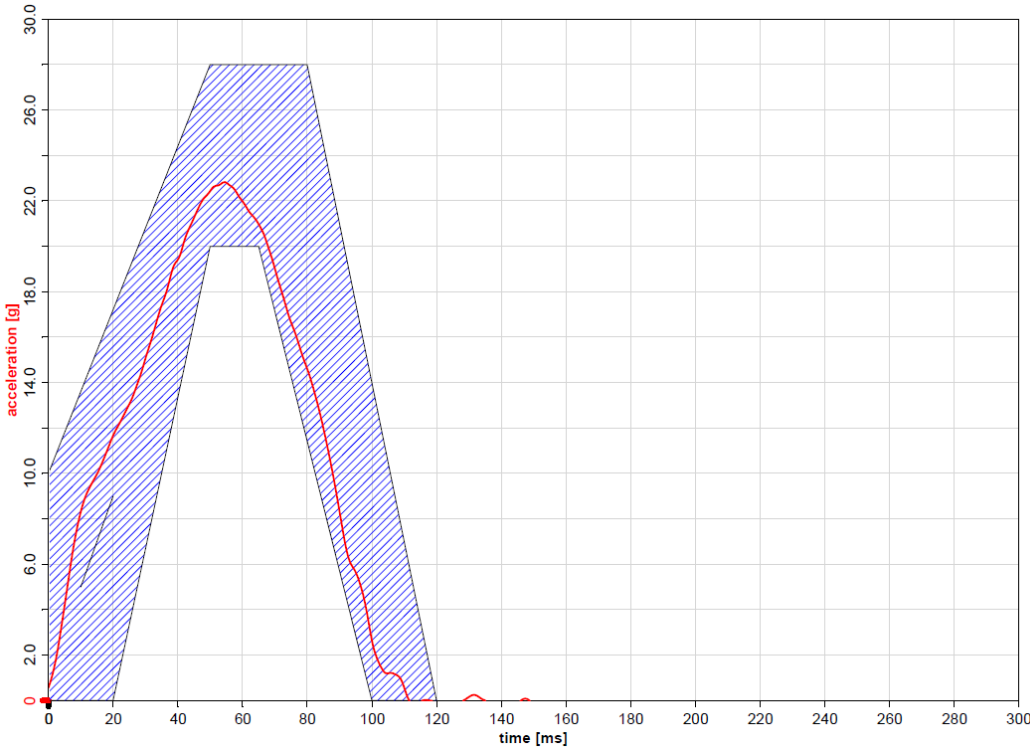
bb) Tested sample No. PQT-2 with test reference No. N22222



cc) Tested sample No. PQT-3 with test reference No. N22223

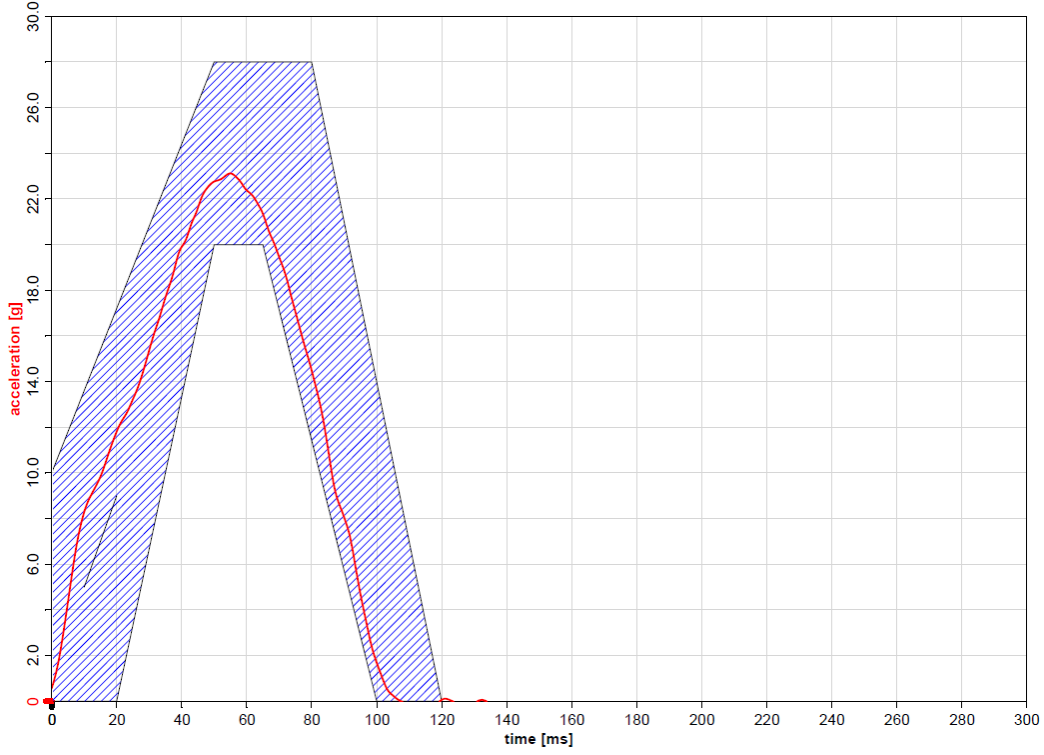


dd) Tested sample No. PQT-4 with test reference No. N22224





ee) Tested sample No. PQT-5 with test reference No. N22225



## 7. CONCLUSION AND STATEMENT OF CONFORMITY

The manufacturer's information document mentioned in item 1.1. and the vehicle type meet the requirements of directive/regulation mentioned on the cover page of this technical report.

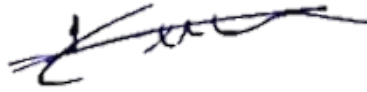
**Remarks: Technical report update.**

Optival Belgelendirme Hizmetleri A.Ş. is affirmed by National Standards Authority of Ireland (NSAI) with technical service number 97.0126.

Authorized expert  
Semih Kart


Content check by  
Emel Sirma

**OPTIVAL BELGELENDİRME HİZMETLERİ A.Ş.**  
Evliya Çelebi Mah. Küme Sk.  
Tuzla Ticaret Merkezi Sit. No: 2C/15 Tuzla/İST.  
Tuzla V.D: 544 078 0129



## 8. COPYRIGHTS

This Technical Report can only be reproduced and published as a complete document by the applicant only. It shall however be reproduced partially with the written permission of the Technical Service only.

	Ningbo Beflye Baby Products Co., Ltd.	Type of product:	BFL032
		Information document No.:	129-BFL032-00
		Date of document:	2022-01-10
		Page of document:	Page 1 of 52


**APPLICATION FOR APPROVAL OF**  
**ENHANCED CHILD RESTRAINT SYSTEMS USED ON BOARD**  
**OF MOTOR VEHICLES (ECRS)**  
**ACCORDING TO**  
**UN REGULATION NO.129 WITH 03 SERIES SUPPLEMENT 05**  
**FOR PRODUCT TYPE BFL032**

Responsible person: Huang Pingyuan

Email: 3539831935@qq.com

Ningbo Beflye Baby Products Co., Ltd.



	Ningbo Beflye Baby Products Co., Ltd.	Type of product:	BFL032
		Information document No.:	129-BFL032-00
		Date of document:	2022-01-10
		Page of document:	Page 2 of 52

## 0. GENERAL

### 0.1. Make (trade name of manufacturer):

Beflye, COOLKIDS, Babyauto, BBest, More, OMP, BQS, Kindcomfort, Vivitta, 5Dot, OMP Pro Kids, Babybus, Babypack, Babygab, Autozone, Autoreisen, Cicar, Lobimbo, Midas, Shears, Unit, Motortown, babycab, fillikid, gobaby, lionelo, BABYVIVO, JOYCARE, JOYELLO, MULTILASER, MULTIKIDS BABY, WEEGO, NOBLER, R for Rabbit, Wakids, Casualplay, TitaniumBaby, MONI, BOBCAT, POLARIS, TIFFY&Toffee, MONDOTUO, Kinderkraft, BabySafe, RANT, ZILAI, BabyStar, DOREL, RAL, Pocholin, Babyguard, mamakids, Bright Star, Funbaby, Lolitos, Baybee, b-qool, bbqool, bqool and bcool, MC(Mum's Carry), Beticco, 4KIDS, Petite&Mars, Cotobaby, COSCO, SAFETY1st, voyage, HUGGIES, Kiddy, Baby Kit's, siesta2en1, Fairworld, mon Bebe, BABY 1st, MY DEAR, Anakku, Kiddo, Shabu, krea baby, Little Step, Baby Harvest, Mamalove, Budada, Prinsel, KidGo, minipouce, Stillo, baby looney tunes, Looney tunes, ayoba, MineBaby, allobebe, SWB, BARBIE, HOT WHEELS, MATTEL, FIN, BABYPLUS, Baby Trend, Smartbaby, Kingbaby, ALLEGRO, AVANTI, BABY CO, BABY HOPE, BABYLIFE, BAMBINO, BE KIDZ, BEBESIT, BEBESITOS, BIEMME, BREVI, CAM, CASUA, COOL KIDS, CUTE BABIES, DEFORM, DISNEY BABY, DORA, DUCK, FAIR WORLD, FEATHER, GBS, GIANT CARRIER, GOLD TOYS, GRACELAND, HADY, Galzerano, X ADVENTURE, METR plus, Bene baby, King Baby, Mega Baby, BabyGo, priori, Fisher Price, Happybaby, Infanti, SKEP, Babywell, Osann, Whoop, Britton baby, EASY BABY, BABIES FIRST, CANGROO, BABYHIT, BABY VIVO, Redkite, ASALVO, EVENFLO, Chipolino, Babylo, Mamaloes, ADVANCE, Bebestar, Baby Design, pmb, Ebebek, Baby Plus, Cozy N Safe, BOMIMI, Burigotto, Shift, Babyhug, Kikkaboo, Smart Baby, Just Baby, Booboo, Babyblume, CAOS, C4OS, STM, Storchenmühle, Nania, Migo, Safety Baby, Everkids, BROONDO, Kids Premium, Belious, TRUIPMONE, E-Hangbaby, MOMON, Little Bambino, Summer baby, yamp, Bereeca, Kidscool, Chelino, Koopers, MOBICLINIC KIDS, ASWAK ASSALAM, Möbelix, my baby, Angelo, SOLUZO, FEDORA, BABY MICHEL, Premium baby, B&B WORLD, 翔鸥, 憨娃娃, 柏沃, 羽佳贝

0.2. Type: BFL032

0.2.1. Commercial name: N/A

0.2.2. Variants: N/A


0.5. Name and address of manufacturer: Ningbo Beflye Baby Products Co., Ltd.

No. 9, 2nd Floor, Unit 1, Building No. 1, No. 69, East of Chenshan Road, Xiaogang Street, Beilun District, Ningbo City, Zhejiang Province, 315800, P.R. China

0.7. In the case of components and separate technical units, location and method of affixing of ECE approval mark: Paste on the back of the product, see Annex 3


0.8. Address(es) of assembly plant(s): See 0.5.

0.9. Name and address of manufacturer's representative: N/A


	Ningbo Beflye Baby Products Co., Ltd.	Type of product:	BFL032
		Information document No.:	129-BFL032-00
		Date of document:	2022-01-10
		Page of document:	Page 3 of 52

**1. DESCRIPTION OF THE DEVICE**


- 1.1. Positioning of the restraint device on the vehicle: Forward facing child restraint (76-150cm) / rearward-facing child restraint (40-105cm) / ~~lateral facing child restraint~~ <sup>(1)</sup>
- 1.2. Class of ECRS: Integral (40-105cm) / Non integral (100-150cm) <sup>(1)</sup>
- 1.3. Belt type of the device: (adult) three-point belt / ~~(adult) lap belt / special type belt / retractor special type belt / retractor / N/A~~ <sup>(1)</sup>
- 1.4. Other features: Chair assembly / ~~impact shield~~
- 1.5. Maximum occupant mass allowed for the integral ECRS: 18 kg / ~~N/A~~ <sup>(1)</sup>
- 1.6. Mass of the complete ECRS: 12.8 ± 0.5 kg
- 1.7. Approval for: For Integral Universal ISOFIX ECRS (i-Size) / ~~Integral Specific vehicle ISOFIX ECRS / Non-integral Universal ECRS (i-Size booster seat) / Non-integral specific vehicle ECRS (specific vehicle booster seat) / Integral Universal Belted ECRS / Integral Specific vehicle Belted ECRS / Universal booster cushion / Specific vehicle booster cushion~~ <sup>(1)</sup>
- 1.8. Type of buckle release button: ~~Enclosed~~ / Non-enclosed, refer to drawing in Annex 5 / ~~N/A~~
- 1.9. Shoulder strap positioner: ~~N/A / Yes, height of positioner is: ?? mm [≤ 60mm]~~ <sup>(1)</sup>
- 1.10. Adjusting device: ~~N/A / Yes, mounted directly on ECRS / strap~~ <sup>(1)</sup>
- 1.11. Retractor: ~~N/A / automatically-locking / emergency-locking-retractor~~ <sup>(1)</sup>
- 1.12. Straps equipped in ECRS: Yes / ~~N/A~~ <sup>(1)</sup>  
Material: Polyester  
Weave: Twill  
Thickness: 1 mm  
Width (contact the dummy): [≥ 25 mm] 25 mm / 38 mm  
Color: Black
- 1.13. ISOFIX attachment: ~~N/A / Yes, locking mechanism: (a) Release of the locking mechanism required two consecutive actions / (b) opening force shall be at least 50 N~~ <sup>(1)</sup>
- 1.14. Anti-rotation device: ~~Top tether strap~~ / support-leg / ~~N/A~~ <sup>(1)</sup>
- 1.15. Lock-off device: ~~N/A / Yes: class A / B device~~ <sup>(1)</sup>

	Ningbo Beflye Baby Products Co., Ltd.	Type of product:	BFL032
		Information document No.:	129-BFL032-00
		Date of document:	2022-01-10
		Page of document:	Page 4 of 52

- 1.16. Installation method: Rearward facing:  
ISOFIX attachments + support-leg + harness (40-105cm);  
Forward facing:  
ISOFIX attachments + support-leg + harness (76-105cm);  
ISOFIX attachments + adult safety belt (100-150cm);  
Adult safety belt (100-150cm)
- 1.17. Back rest position: Rearward facing:  
40-105cm: maximum inclined (position R);  
Forward facing:  
~~Booster cushion, without back rest~~  
76-105cm: adjustable (position 1-3);  
100-150cm: maximum upright (position 1)
- 1.18. Drawings, diagrams and markings of the ECRS, including its relevant parts: See Annex 2 to Annex 5
- 1.19. Declaration on toxicity and flammability in accordance with paragraph 6.3.1.1. and 6.3.1.2. of ECE R129.03: See Annex 1
- 1.20. Instruction for use of ECRS: See Annex 6 ~~and Annex 7~~ <sup>(1)</sup>

	Ningbo Beflye Baby Products Co., Ltd.	Type of product:	BFL032
		Information document No.:	129-BFL032-00
		Date of document:	2022-01-10
		Page of document:	Page 5 of 52

<b>List of Annexes</b>		Total page of Annex
1.	Declaration on the Toxicity and Flammability	1
2.	BOM list	4
3.	Location of marks, logo and manual, photo of production date	3
4.	Drawing of package	1
5.	Drawing of ECRS	38
6.	User manual	13
7.	<del>List of cars suitable for fixing</del> <sup>(1)</sup>	

	Ningbo Beflye Baby Products Co., Ltd.	Type of product:	BFL032
		Information document No.:	129-BFL032-00
		Date of document:	2022-01-10
		Page of document:	Page 6 of 52

Annex 1, Declaration on the Toxicity and Flammability

### Declaration on the Toxicity and Flammability

We hereby declare that the child restraint system made in our company:

The toxicity of materials used in the manufacture of restraint systems and accessible to the restrained child is in conformity with the test requirements of EN 71-3:2019, for a Category III material as defined in paragraph 4.2. Table 2 and following the test method of paragraph 7.2., specifically paragraph 7.2.2., Table 3, Category III sampling method, where applicable.

The flammability of materials used to manufacture the Enhanced Child Restraint System is in conformity with the method of section 5.4 of EN 71-2:2011+A1:2014 with a maximum rate of spread of flame of 30 mm/s.


Responsible person: Huang Pingyuan

Email: 3539831935@qq.com

Ningbo Beflye Baby Products Co., Ltd.






	Ningbo Beflye Baby Products Co., Ltd.	Type of product:	BFL032
		Information document No.:	129-BFL032-00
		Date of document:	2022-01-10
		Page of document:	Page 7 of 52

## Annex 2, BOM list


### BOM list for BFL032

Number	Picture	Spare Part Code	Spare Part Name	Material	Specifications (mm)	Classification/Color	QTY (PCS)	Supplier
1		BFL032-01	Headrest	HDPE/5502	See Part Drawing	Plactic/Black	1	Self-made
2		BFL032-02	Backrest	HDPE/5502	See Part Drawing	Plactic/Black	1	Self-made
3		BFL032-03	Base	HDPE/5502	See Part Drawing	Plactic/Black	1	Self-made
4		BFL032-04	Disc	10L30A	See Part Drawing	Plactic/Black	1	Yuyao Qingbo plastic products factory
5		BFL032-05	Headrest adjusting handle	PP3204	110*360	Plactic/Gray 4C	1	Yuyao Qingbo plastic products factory
6		BFL030-07	Headrest adjusting handle Fixing cover	PP3204	51.7*109.5	Plactic/Black	1	Yuyao Qingbo plastic products factory
7		BFL030-08	Headrest adjusting handle Fixing Bushing	10L30A	∅26*∅11.5* ∅6*23	Plactic/Black	2	Yuyao Qingbo plastic products factory
8		BFL030-09	Track Positioning Bushing	10L30A	11*∅8*26	Plactic/Black	4	Yuyao Qingbo plastic products factory
9		BFL030-10	Decorative cover	PP3204	89*120	Plactic/Black	1	Yuyao Qingbo plastic products factory
10		BFL032-06	Support Leg Cover	PP3204	See Part Drawing	Plactic/Black	1	Yuyao Qingbo plastic products factory
11		BFL032-07	Support Leg Adjustment Handle	PP3204	See Part Drawing	Plactic/Black	1	Yuyao Qingbo plastic products factory
12		BFL032-08	Support Leg Adjustment Handle Cover	PP3204	See Part Drawing	Plactic/Black	1	Yuyao Qingbo plastic products factory
13		BFL030-12	Position Adjustment Handle	10L30A	See Part Drawing	Plactic/Red	1	Yuyao Qingbo plastic products factory
14		BFL032-09	Rotation adjustment Button	PP3204	See Part Drawing	Plactic/Black	1	Yuyao Qingbo plastic products factory
15		BFL032-10	Side Protection Cover	PP3204	See Part Drawing	Plactic/Black	2	Yuyao Qingbo plastic products factory
16		BFL032-11	Side Protection Base	PP3204	See Part Drawing	Plactic/Black	2	Yuyao Qingbo plastic products factory
17		BFL032-12	Left lab belt guiding cover	PP3204	See Part Drawing	Plactic/Green	1	Yuyao Qingbo plastic products factory
18		BFL032-13	Right lab belt guiding cover	PP3204	See Part Drawing	Plactic/Green	1	Yuyao Qingbo plastic products factory
19		BFL032-06	Back Blocking Cover	PP3204	182*158*10	Plactic/Black	1	Yuyao Qingbo plastic products factory
20		BFL032-17	Support Leg Fixing Button	PP3204	See Part Drawing	Plactic/Red	1	Yuyao Qingbo plastic products factory
21		BFL032-18	Support Leg Base Cover	PP3204	See Part Drawing	Plactic/Green	1	Yuyao Qingbo plastic products factory
22		BFL032-19	Support Leg Top Cover	PP3204	See Part Drawing	Plactic/Black	1	Yuyao Qingbo plastic products factory
23		BFL032-20	Spring Fix Part	PP3204	See Part Drawing	Plactic/Black	1	Yuyao Qingbo plastic products factory

	Ningbo Beflye Baby Products Co., Ltd.	Type of product:	BFL032
		Information document No.:	129-BFL032-00
		Date of document:	2022-01-10
		Page of document:	Page 8 of 52


### BOM list for BFL032

Number	Picture	Spare Part Code	Spare Part Name	Material	Specifications (mm)	Classification/Color	QTY (PCS)	Supplier
24		BFL032-21	Support Leg Front Cover	PP3204	See Part Drawing	Plactic/Black	1	Yuyao Qingbo plastic products factory
25		BFL032-22	Support Leg Mid Cover	PP3204	See Part Drawing	Plactic/Green	1	Yuyao Qingbo plastic products factory
26		BFL030-17	Reinforcing Tube	Stell	See Part Drawing	Hardware/Black	2	Ningbo maimeng children's products Co., Ltd
27		BFL030-18	Rotoary Fixing Cover	Stell	36.5*180*3	Hardware/Black	1	Ningbo maimeng children's products Co., Ltd
28		BFL032-14	Support Leg	Alumino	See Part Drawing	Hardware/Gray&Black	1	Ningbo maimeng children's products Co., Ltd
29		BFL032-15	IOSIPX With Support Leg Holder	45# Carbon Steel	See Part Drawing	Hardware/Black	1	Ningbo maimeng children's products Co., Ltd
30		BFL030-21	Connecting Rod Fixing part	Stell	See Part Drawing	Hardware/Black	1	Ningbo maimeng children's products Co., Ltd
31		BFL030-22	Matel Track	45# Carbon Steel	See Part Drawing	Hardware/Black	2	Ningbo maimeng children's products Co., Ltd
32		BFL030-23	Track gasket	Stell	See Part Drawing	Hardware/Black	2	Ningbo maimeng children's products Co., Ltd
33		BFL030-24	Shift iron support	Stell	See Part Drawing	Hardware/Black	1	Ningbo maimeng children's products Co., Ltd
34		BFL030-25	Big flat head with cushion self attack	Stell	∅4*13	Hardware/Color zinc plating	4	Ningbo Haishu taibangsheng Machinery Co., Ltd
35		BFL030-26	Headrest adjusting handle fixing shaft sleeve	Stell	∅4*88	Hardware/zinc plating	1	Ningbo Haishu taibangsheng Machinery Co., Ltd
36		BFL030-27	Headrest adjusting handle fixing shaft sleeve	Stell	∅8*22	Hardware/zinc plating	2	Ningbo Haishu taibangsheng Machinery Co., Ltd
37		BFL030-28	Fixed rod	Stell	∅10*310	Hardware/zinc plating	1	Ningbo Haishu taibangsheng Machinery Co., Ltd
38		BFL030-29	Inclined handle shaft	45# Carbon Steel	6*68/73	Hardware/zinc plating	1	Ningbo Haishu taibangsheng Machinery Co., Ltd
39		BFL030-32	Headrest Spring	Stell	d=1.2; D=12; H=46; N=10;	Hardware/zinc plating	2	Ningbo Yinzhou Xianxiang Jieda Hardware Spring Factory
40		BFL030-33	Opposition adjustment spring	Stell	∅6.5*∅1	Hardware/zinc plating	2	Ningbo Yinzhou Xianxiang Jieda Hardware Spring Factory
41		BFL030-34	Reinforcing Pipe Fixing Screw	Stell	M6*30	Hardware/zinc plating	4	Ningbo Jiangbei Hualian electromechanical material supply station
42		BFL030-35	Chassis Fixing Screw	Stell	6*60	Hardware/zinc plating	3	Ningbo Jiangbei Hualian electromechanical material supply station
43		BFL030-36	Side Screws Of Support Leg Cover	Stell	3*12	Hardware/Black	2	Ningbo Jiangbei Hualian electromechanical material supply station
44		BFL030-37	Cotter Pin	Stell	2*12	Hardware/zinc plating	1	Ningbo Haishu taibangsheng Machinery Co., Ltd
45		BFL030-38	Screw On Headrest	Stell	6*45	Hardware/zinc plating	1	Ningbo Jiangbei Hualian electromechanical material supply station
46		BFL030-39	Bracket Fixing Screw	Stell	M4*14	Hardware/Color zinc plating	4	Ningbo Jiangbei Hualian electromechanical material supply station
47		BFL030-40	Bracket fixing anti-skid nut	Stell	M4	Hardware/zinc plating	4	Ningbo Jiangbei Hualian electromechanical material supply station







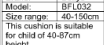








	Ningbo Beflye Baby Products Co., Ltd.	Type of product:	BFL032
		Information document No.:	129-BFL032-00
		Date of document:	2022-01-10
		Page of document:	Page 9 of 52


BOM list for BFL032

Number	Picture	Spare Part Code	Spare Part Name	Material	Specifications (mm)	Classification/Color	QTY (PCS)	Supplier
48		BFL030-41	Nut	Stell	M6	Hardware/zinc plating	9	Ningbo Jiangbei Hualian electromechanical material supply station
49		BFL030-42	Headrest Screw Shim	Stell	∅20*∅6*1.5	Hardware/zinc plating	7	Ningbo Jiangbei Hualian electromechanical material supply station
50		BFL030-43	Hexagon Nut	Stell	M8	Hardware/zinc plating	8	Ningbo Jiangbei Hualian electromechanical material supply station
51		BFL030-44	Reinforcing Tube Shim	Stell	∅16*∅8*1	Hardware	4	Ningbo Jiangbei Hualian electromechanical material supply station
52		BFL030-45	Shim	Stell	∅12*∅6*1	Hardware	2	Ningbo Jiangbei Hualian electromechanical material supply station
53		BFL030-46	Headrest Cover Screw	Stell	M4*12	Hardware/zinc plating	10	Ningbo Jiangbei Hualian electromechanical material supply station
54		BFL030-47	Headrest Screw	Stell	M6*35	Hardware/zinc plating	1	Ningbo Jiangbei Hualian electromechanical material supply station
55		BFL030-48	Button Screw	Stell	M2.5*10	Hardware/zinc plating	2	Ningbo Jiangbei Hualian electromechanical material supply station
56		BFL030-49	Lab belt guiding Fix Screw	Stell	M5*16	Hardware/zinc plating	12	Ningbo Jiangbei Hualian electromechanical material supply station
57		BFL030-50	Cushion Nut	Stell	M6	Hardware/zinc plating	1	Ningbo Jiangbei Hualian electromechanical material supply station
58		BFL030-52	Adjusting device	Stell	See Part Drawing	Hardware/Color zinc plating	1	Ningbo Yinzhou Jiangshan Yuqi Machinery Parts Co., Ltd
59		BFL030-53	Yoke	Stell	See Part Drawing	Hardware/Color zinc plating	1	Taixing Yurong mechanical parts Co., Ltd
60		BFL030-54	Metal Pad	Stell	See Part Drawing	Hardware/Color zinc plating	3	Taixing Yurong mechanical parts Co., Ltd
61		BFL030-55	Buckle	Assembly Part	See Part Drawing	Hardware/zinc plating	1	Wuxi Likai children's products Co., Ltd
	Assembly Part			See Part Drawing	Hardware/zinc plating	1	Taizhou aokaite Auto Parts Co., Ltd	
	Assembly Part			See Part Drawing	Hardware/zinc plating	1	Ningbo Fenix Saferty Import&Export Co.,Ltd	
62		BFL030-56	Button Cover	ABS	T8	Plastic/Black	2	Online purchase
63		BFL030-57	Button Head	ABS	T8	Plastic/Black	2	Online purchase
64		BFL030-58	Button Base	ABS	T8	Plastic/Black	2	Online purchase
65		BFL030-64	Adjusting strap	Polyester	25*92	Accessories	1	Shanghai Yifan International Trade Co., Ltd
66		BFL030-65	Harness connecting belt	Polyester	38*1000	Accessories	2	Shanghai Yifan International Trade Co., Ltd
67		BFL032-16	Buckle with connecting belt	Polyester	25*290	Accessories	1	Shanghai Yifan International Trade Co., Ltd
68		BFL032-17	Headrest cover	Knitted fabric	See Part Drawing	Fabric	1	Self-made
69		BFL032-18	Child seat Cover	Knitted fabric	See Part Drawing	Fabric	1	Self-made
70		BFL032-19	Shoulder Pad	Knitted fabric	See Part Drawing	Fabric	1	Self-made





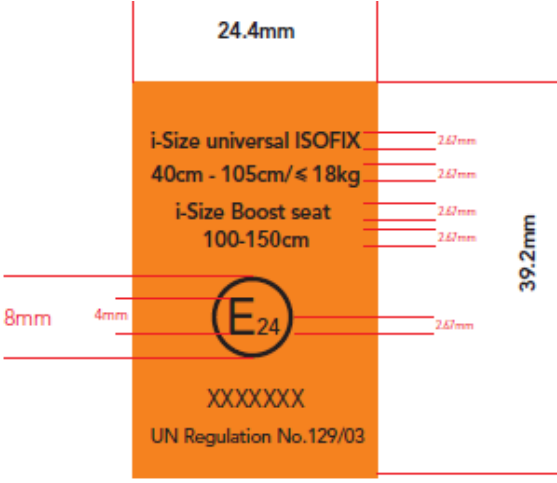
	Ningbo Beflye Baby Products Co., Ltd.	Type of product:	BFL032
		Information document No.:	129-BFL032-00
		Date of document:	2022-01-10
		Page of document:	Page 10 of 52


BOM list for BFL032

Number	Picture	Spare Part Code	Spare Part Name	Material	Specifications (mm)	Classification/Color	QTY (PCS)	Supplier
71		BFL032-20	Buckle Pad	Knitted fabric	See Part Drawing	Fabric	1	Self-made
72		BFL032-21	Small baby insert cushion	Knitted fabric	See Part Drawing	Fabric	1	Self-made
73		BFL032-22	LOGO	Acrylic acid	55*56mm	Accessories	1	Shanghai Youxing Clothing Co., Ltd
74		BFL032-23	Warning Label	Acrylic acid	60*180mm	Accessories	1	Shanghai Youxing Clothing Co., Ltd
75		BFL032-24	i-size logo	Acrylic acid	25*25mm	Accessories	1	Shanghai Youxing Clothing Co., Ltd
76		BFL032-25	Manual logo	Acrylic acid	20*25mm	Accessories	1	Shanghai Youxing Clothing Co., Ltd
77	 Brand: Beflye Model: BFL032 Size range: 40-150cm This cushion is suitable for child of 40-87cm height.	BFL032-26	Removable insert label	polyester	45*45mm	Accessories	1	Ningbo Feifan Printing Co., Ltd
78		BFL032-27	Washing Label	polyester	35*60mm	Accessories	1	Ningbo Feifan Printing Co., Ltd
79		BFL032-28	Should belt routine label	polyester	25*40mm	Green	1	Ningbo Feifan Printing Co., Ltd
80		BFL032-29	Position sticker	Paper	163*72mm	Packing Material	1	Ningbo qianyong paper products Co., Ltd
81		BFL032-30	Left Installation label	Paper	See Part Drawing	Packing Material	1	Ningbo qianyong paper products Co., Ltd
82		BFL032-31	Right Installation label	Paper	See Part Drawing	Packing Material	1	Ningbo qianyong paper products Co., Ltd
83		BFL032-32	PE Bag	LDPE	820*1200mm	Packing Material	1	Ningbo Fuyuan Plastic Industry Co., Ltd
84		BFL032-33	Manual	Paper	105*145mm	Packing Material	1	Ningbo Feifan Printing Co., Ltd
85		BFL032-34	Package	Paper	470*500*670mm	Packing Material	1	Ningbo changjincheng paper products Co., Ltd

	Ningbo Beflye Baby Products Co., Ltd.	Type of product:	BFL032
		Information document No.:	129-BFL032-00
		Date of document:	2022-01-10
		Page of document:	Page 11 of 52

Annex 3, Location of marks, logo and manual, photo of production date

	<p>Location of trade mark</p> <p>Location of warning label 60mm</p>  <p>60mm</p> <p>180mm</p> <p>Location of i-Size logo</p>  <p>25mm</p> <p>25mm</p> <p>Location of removable insert label</p> <table border="1" data-bbox="815 1126 1142 1317"> <tr> <td>Brand:</td> <td>Beflye</td> </tr> <tr> <td>Model:</td> <td>BFL032</td> </tr> <tr> <td>Size range:</td> <td>40-150cm</td> </tr> <tr> <td colspan="2">This cushion is suitable for child of 40-87cm height.</td> </tr> </table> <p>Dimension: 40*60mm</p>	Brand:	Beflye	Model:	BFL032	Size range:	40-150cm	This cushion is suitable for child of 40-87cm height.	
	Brand:	Beflye							
Model:	BFL032								
Size range:	40-150cm								
This cushion is suitable for child of 40-87cm height.									
	<p>Location of E-mark label</p>  <p>24.4mm</p> <p>i-Size universal ISOFIX 40cm - 105cm/ ≤ 18kg</p> <p>i-Size Boost seat 100-150cm</p> <p>39.2mm</p> <p>8mm</p> <p>4mm</p> <p>E<sub>24</sub></p> <p>XXXXXX</p> <p>UN Regulation No.129/03</p>								

	Ningbo Beflye Baby Products Co., Ltd.	Type of product:	BFL032
		Information document No.:	129-BFL032-00
		Date of document:	2022-01-10
		Page of document:	Page 12 of 52

		<p>Location of year of production mark</p>
		<p>Location of user manual</p> 





Ningbo Beflye Baby Products Co.,  
Ltd.

Type of product:	BFL032
Information document No.:	129-BFL032-00
Date of document:	2022-01-10
Page of document:	Page 13 of 52



### Location of installation label

**R**

This is an i Size Enhanced Child Restraint System It is approved to UN Regulation No.129 Size range: 40-150cm


Method 1:  
Harness system+supporting leg+ISOFIX  
(40-105cm) / <=18kg

Method 2:  
Harness system+supporting leg+ISOFIX  
(76-105cm) / <=18kg


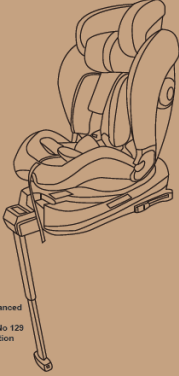


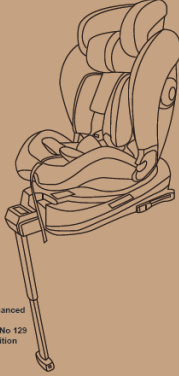

Do not use the ECRS in seating positions where there is an active frontal airbag installed.

**IMPORTANT - DO NOT USE BEFORE THE CHILD'S AGE EXCEEDS 15 MONTHS (Refer to instruction)**

Method 3: 3 point safety belt+ISOFIX (100-150cm)  
Method 4: 3 point safety belt(100-150cm)

	<b>Ningbo Beflye Baby Products Co., Ltd.</b>	Type of product:	BFL032
		Information document No.:	129-BFL032-00
		Date of document:	2022-01-10
		Page of document:	Page 14 of 52

Annex 4, Drawing of package

<p><b>BABY CAR SEAT</b></p>   <p><small>Notice!-This is an i-Size Enhanced Child Restraint System It is approved to UN Regulation No 129 for use in i-Size seating position Size range: 40-150cm</small></p>	<p><b>BABY CAR SEAT</b></p>  <p><b>Notice</b></p> <p>1. Used as i-Size Ecrs: This is an i-Size Enhanced Child Restraint System It is approved to Regulation No. 129, for use in, i-Size compatible vehicle seating positions as indicated by vehicle manufacturers in the vehicle users' manual. If in doubt, consult either the Enhanced Child Restraint System manufacturer or the retailer</p> <p>2. Used as i-Size booster seat: This is a i-Size booster seat Enhanced Child Restraint System. It is approved according to Regulation No. 129, for use primarily in " i-Size seating positions" as indicated by vehicle manufacturers in the vehicle user's manual. If in doubt, consult either the Enhanced Child Restraint System manufacturer or the retailer</p> <p>3. Do not use the ECRS in seating positions where there is an active frontal airbag installed.</p> <p>4.IMPORTANT - DO NOT USE FORWARD FACING BEFORE THE CHILD'S AGE EXCEEDS 15 MONTHS (Refer to instruction).</p> <p><small>Maker: Ningbo Beflye Baby Products Co.,Ltd Address: No. 9, 2nd Floor, Unit 1, Building No. 1, No. 69, East of Chenshan Road, Xiaogang Street, Beilun District, Ningbo City, Zhejiang Province, 315000, P.R. China</small></p>	<p><b>BABY CAR SEAT</b></p>   <p><small>Notice!-This is an i-Size Enhanced Child Restraint System It is approved to UN Regulation No 129 for use in i-Size seating position Size range: 40-150cm</small></p>	 <p>ITEM NO: BFL032</p> <p>QTY:1 PC</p> <p>MEAS:</p> <p>N.W:</p> <p>G.W:</p>
--	--	---	---

**Notice**

**1. Used as i-Size Ecrs: This is an i-Size Enhanced Child Restraint System**  
It is approved to Regulation No. 129, for use in, i-Size compatible vehicle seating positions as indicated by vehicle manufacturers in the vehicle users' manual.  
If in doubt, consult either the Enhanced Child Restraint System manufacturer or the retailer


**2. Used as i-Size booster seat: This is a i-Size booster seat Enhanced Child Restraint System.**  
It is approved according to Regulation No. 129, for use primarily in " i-Size seating positions" as indicated by vehicle manufacturers in the vehicle user's manual. If in doubt, consult either the Enhanced Child Restraint System manufacturer or the retailer

**3. Do not use the ECRS in seating positions where there is an active frontal airbag installed.**

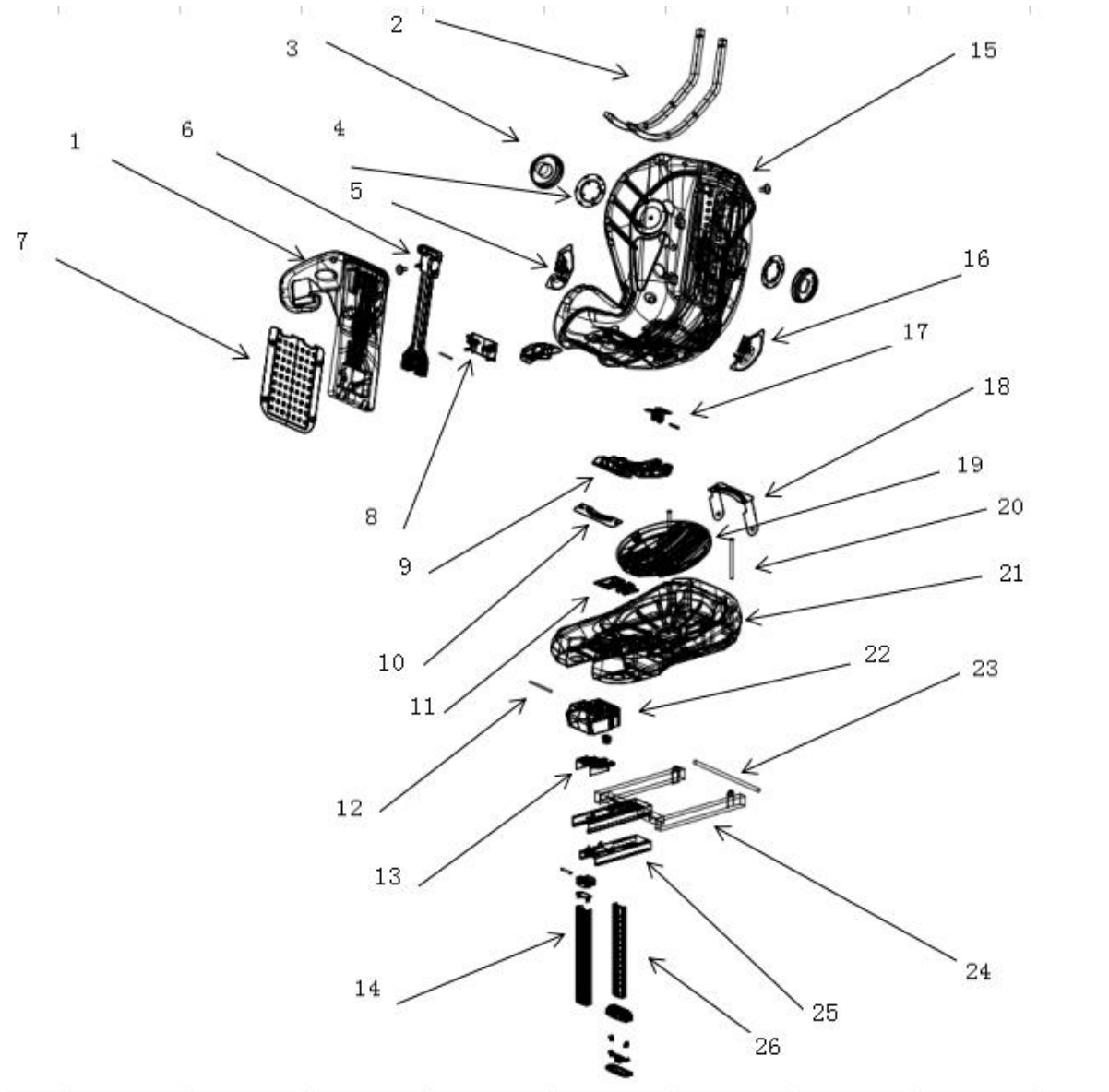
**4.IMPORTANT - DO NOT USE FORWARD FACING BEFORE THE CHILD'S AGE EXCEEDS 15 MONTHS (Refer to instruction).**

**Maker: Ningbo Beflye Baby Products Co.,Ltd**  
**Address: No. 9, 2nd Floor, Unit 1, Building No. 1, No. 69, East of Chenshan Road, Xiaogang Street, Beilun District, Ningbo City, Zhejiang Province, 315000, P.R. China**



	Ningbo Beflye Baby Products Co., Ltd.	Type of product:	BFL032
		Information document No.:	129-BFL032-00
		Date of document:	2022-01-10
		Page of document:	Page 15 of 52

Annex 5: Drawing of ECRS



1	BFL032-01	Head	HDPE/5502
2	BFL030-17	Reinforcing Tube	Stell
3	BFL032-10	Side Protection Cover	PF3204
4	BFL032-11	Side Protection Base	PF3204
5	BFL032-12	Left Vehicle Installation Mark	PF3204
6	BFL032-05	Handle In Head	PF3204
7	BFL032-06	Back Blocking Cover	PF3204
8	BFL032-08	Support Leg Adjustment Handle Cove	PF3204
9	BFL030-12	Position Adjustment Handle	10L30A
10	BFL030-18	Rotary Fixing Cover	Stell
11	BFL030-24	Shift iron support	Stell
12	BFL030-26	Head handle fixed shaft sleeve	Stell
13	BFL032-09	Rotary positioning Button	PF3204
Number	Spare Part Code	Spare Part Name	Material

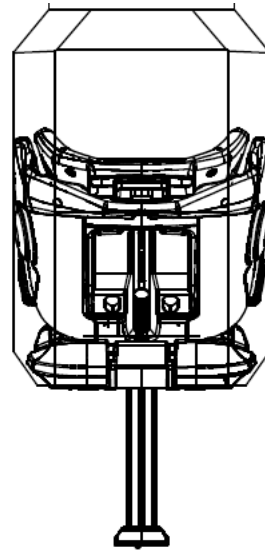
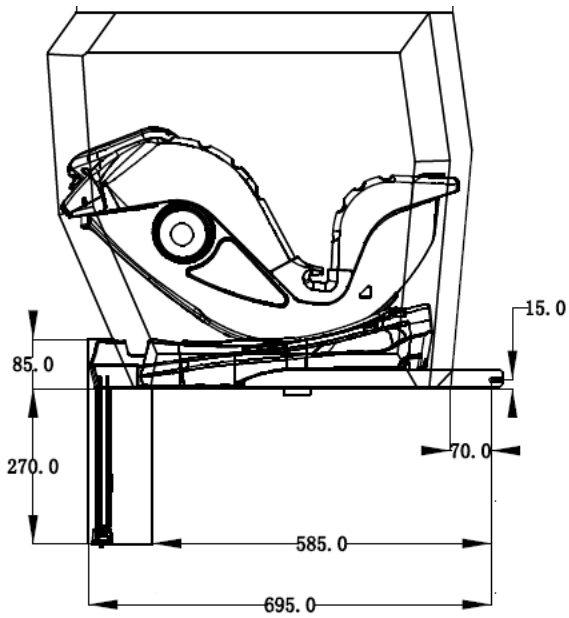
14	BFL032-14	Support Leg	Alumino
15	BFL032-02	Back	HDPE/5502
16	BFL032-13	Right Vehicle Installation Mark	PF3204
17	BFL030-08	Handle Fixed Bushing	10L30A
18	BFL030-21	Connecting Rod Fixings PRT	Stell
19	BFL032-04	Disc	10L30A
20	BFL030-34	Reinforcing Pipe Fixing Flat Machine Scre	Stell
21	BFL032-03	Base	HDPE/5502
22	BFL032-06	Support Leg Cover	PF3204
23	BFL030-28	Fixed rod	Stell
24	BFL032-15	IOSIFX With Support Leg Holder	45# Carbon Steel
25	BFL032-16	Buckle	Polyester
26	BFL032-14	Support Leg	Alumino
Number	Spare Part Code	Spare Part Name	Material

Manufacturer:	Ningbo Beflye Baby Products Co., Ltd.
Type:	BFL032
Part Name:	Explosion drawing

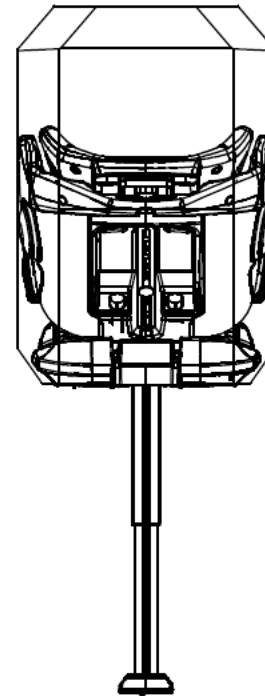
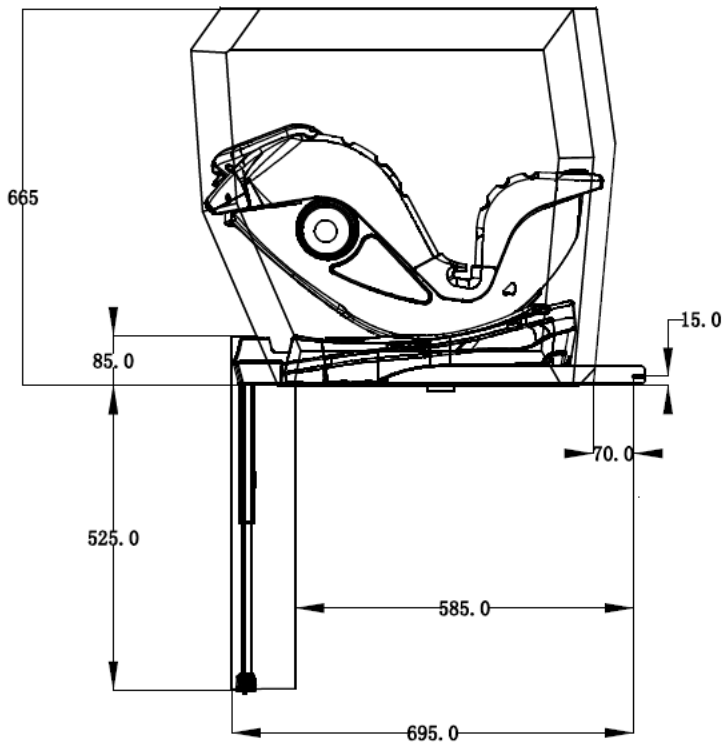


Ningbo Beflye Baby Products Co.,  
Ltd.

Type of product:	BFL032
Information document No.:	129-BFL032-00
Date of document:	2022-01-10
Page of document:	Page 16 of 52



Envelope size: ISO/R2  
Child seat stature: 105cm

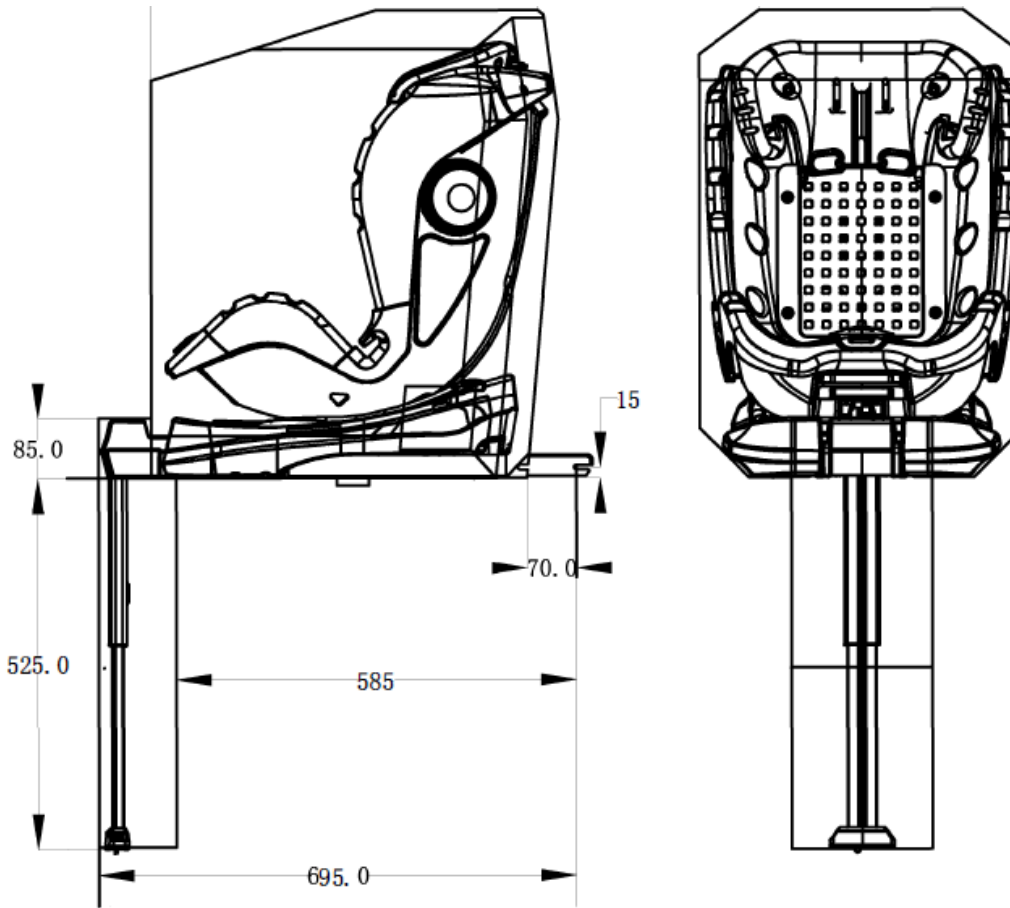


Manufacturer:	Ningbo Beflye Baby Products Co., Ltd.
Type:	BFL032
Part Name:	External dimension – ISO/R2

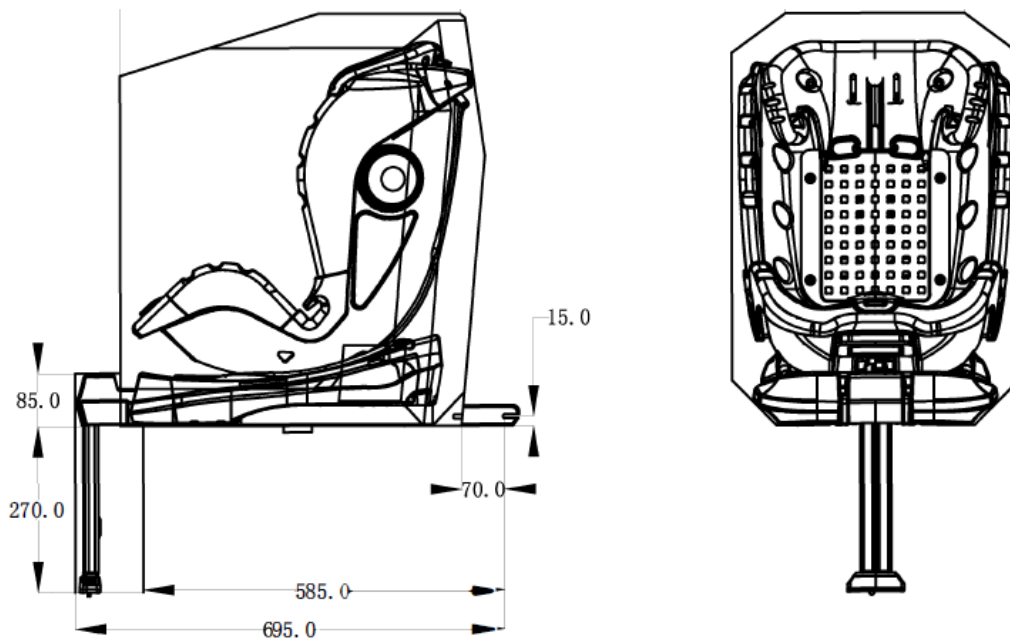


Ningbo Beflye Baby Products Co.,  
Ltd.


Type of product:	BFL032
Information document No.:	129-BFL032-00
Date of document:	2022-01-10
Page of document:	Page 17 of 52

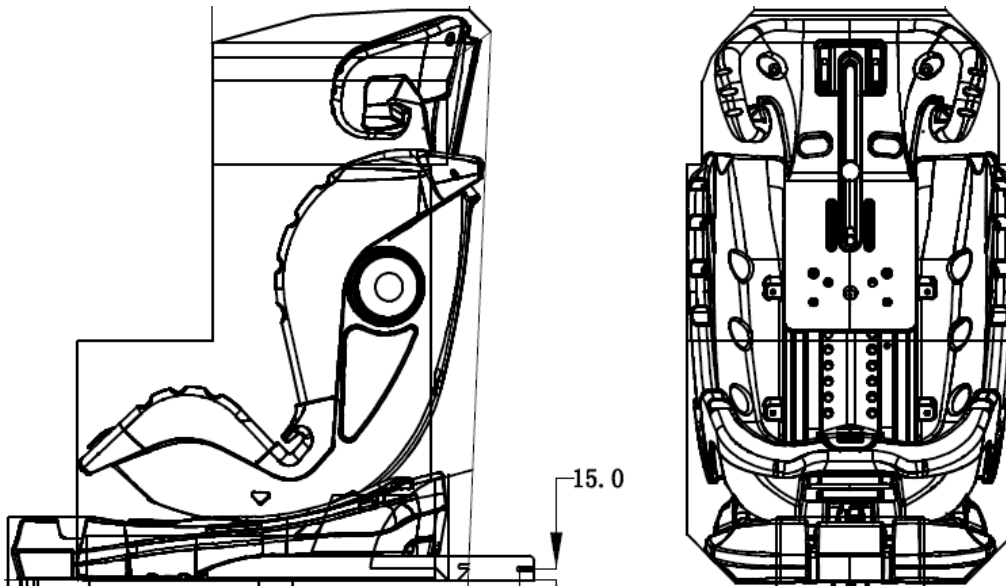


Envelope size: ISO/F2X  
Child seat stature: 105cm



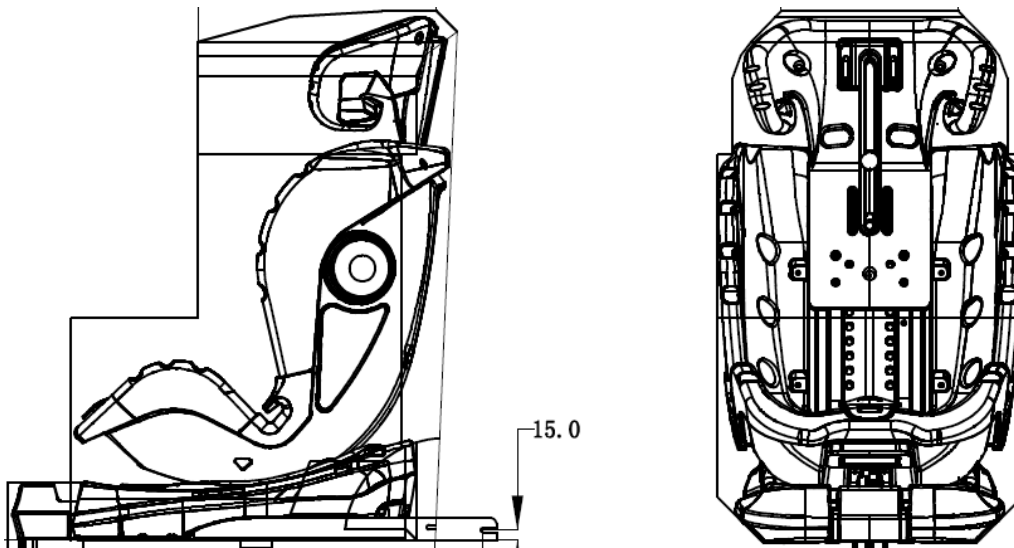
Manufacturer:	Ningbo Beflye Baby Products Co., Ltd.
Type:	BFL032
Part Name:	External dimension – ISO/F2X

	Ningbo Beflye Baby Products Co., Ltd.	Type of product:	BFL032
		Information document No.:	129-BFL032-00
		Date of document:	2022-01-10
		Page of document:	Page 18 of 52




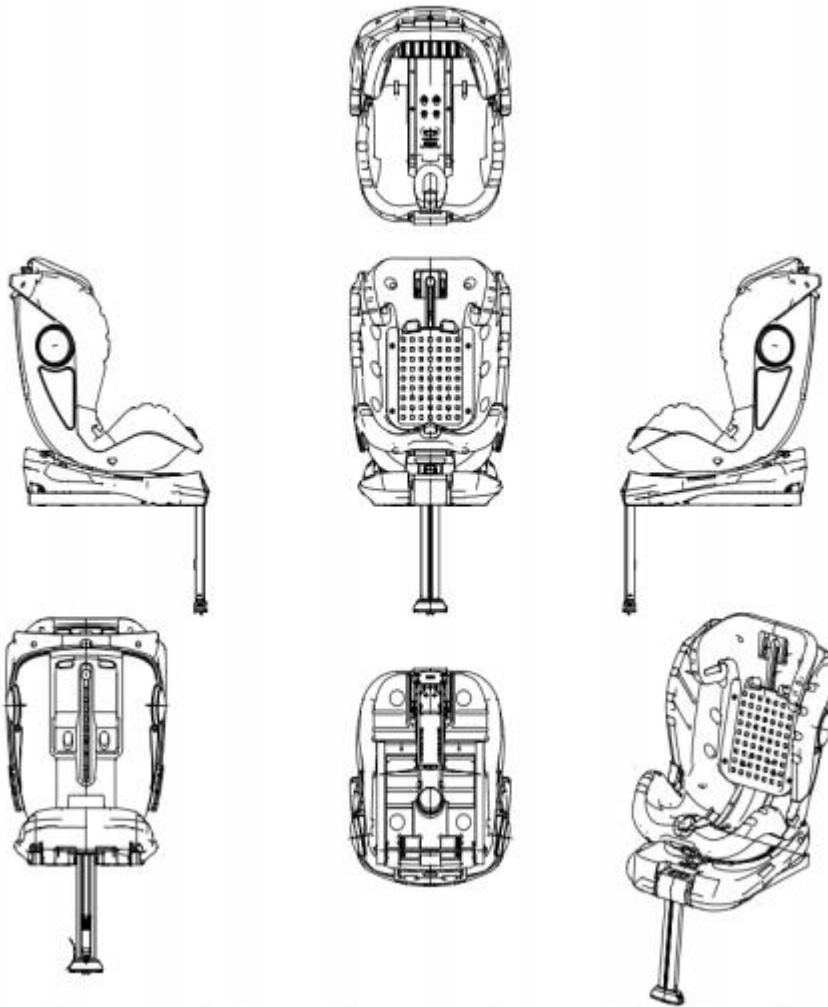
Envelope size: ISO/B2

Child seat stature: 135cm




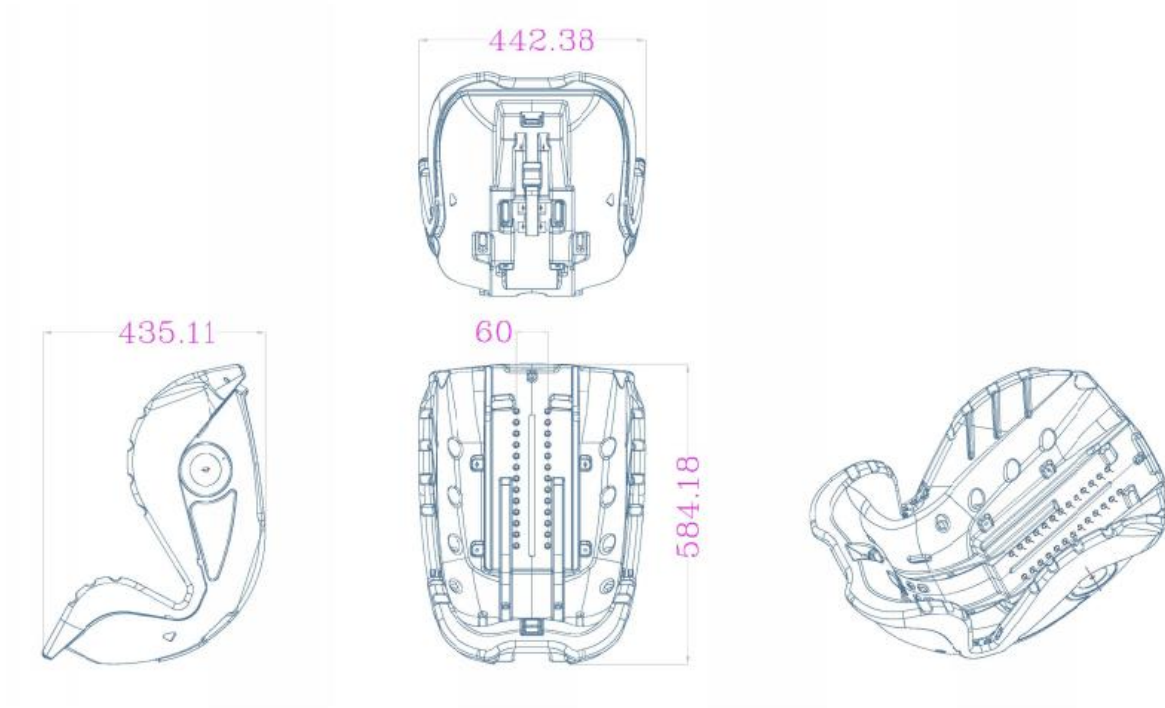
Manufacturer:	Ningbo Beflye Baby Products Co., Ltd.
Type:	BFL032
Part Name:	External dimension – ISO/B2

	Ningbo Beflye Baby Products Co., Ltd.	Type of product:	BFL032
		Information document No.:	129-BFL032-00
		Date of document:	2022-01-10
		Page of document:	Page 19 of 52




Manufacturer:	Ningbo Beflye Baby Products Co., Ltd.
Type:	BFL032
Part Name:	Drawing of ECRS

	Ningbo Beflye Baby Products Co., Ltd.	Type of product:	BFL032
		Information document No.:	129-BFL032-00
		Date of document:	2022-01-10
		Page of document:	Page 20 of 52



Manufacturer:	Ningbo Beflye Baby Products Co., Ltd.
Type:	BFL032
Part Name:	Drawing of backrest



	Ningbo Beflye Baby Products Co., Ltd.	Type of product:	BFL032
		Information document No.:	129-BFL032-00
		Date of document:	2022-01-10
		Page of document:	Page 21 of 52

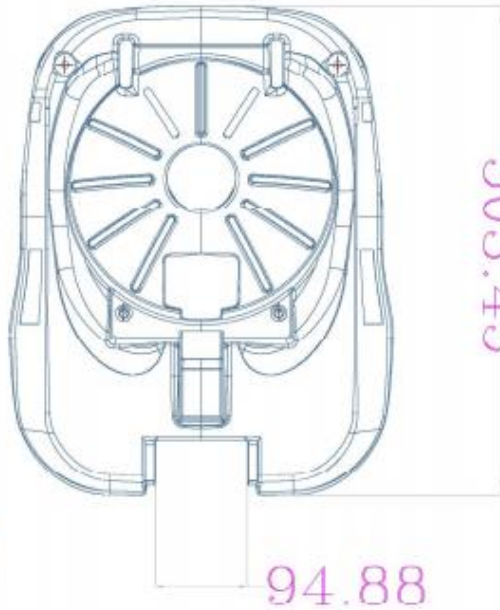
145.55



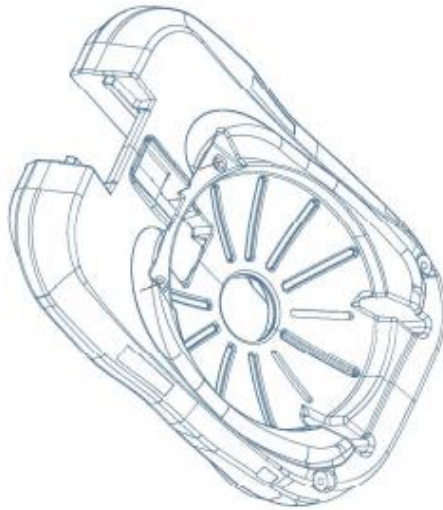
394.53




503.45

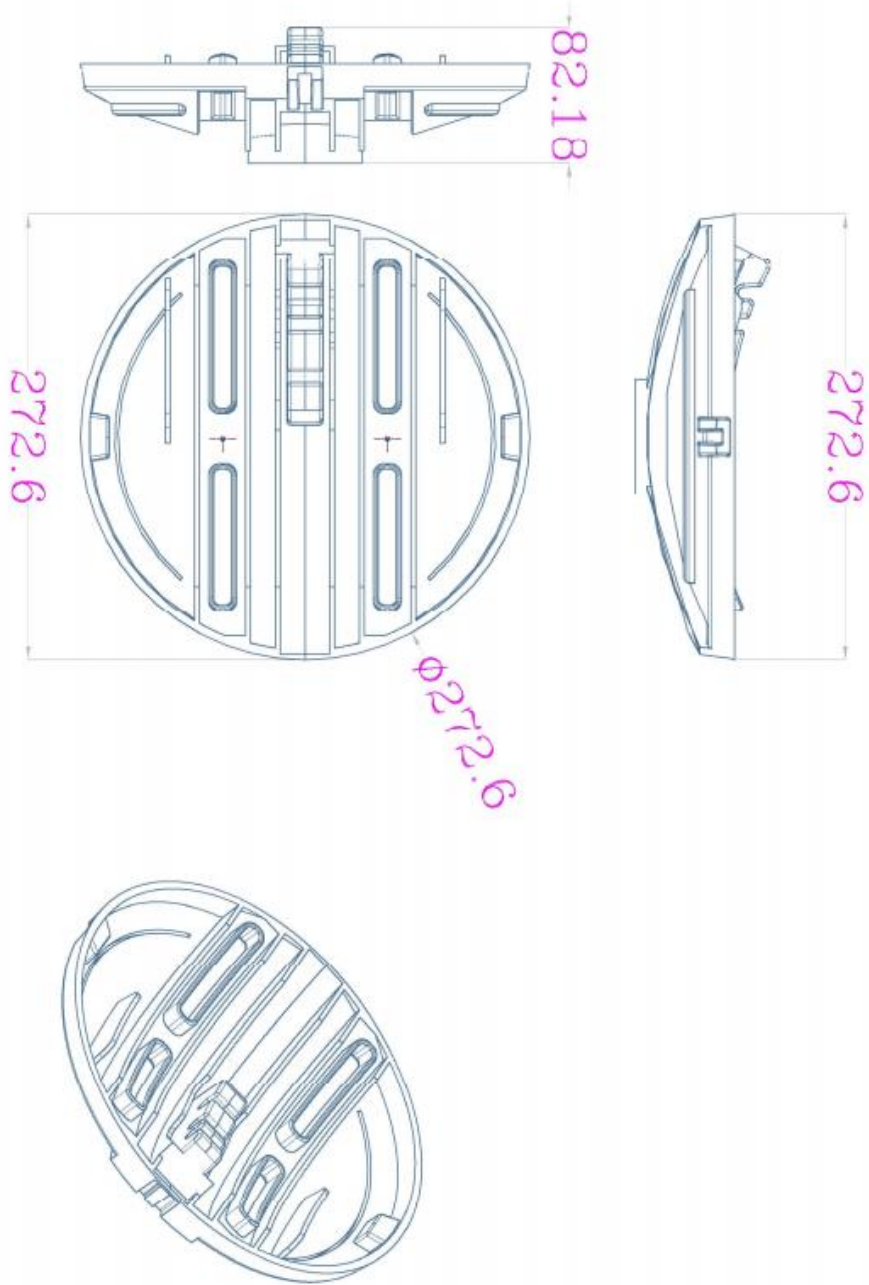


94.88



Manufacturer:	Ningbo Beflye Baby Products Co., Ltd.
Type:	BFL032
Part Name:	Drawing of base

	Ningbo Beflye Baby Products Co., Ltd.	Type of product:	BFL032
		Information document No.:	129-BFL032-00
		Date of document:	2022-01-10
		Page of document:	Page 22 of 52



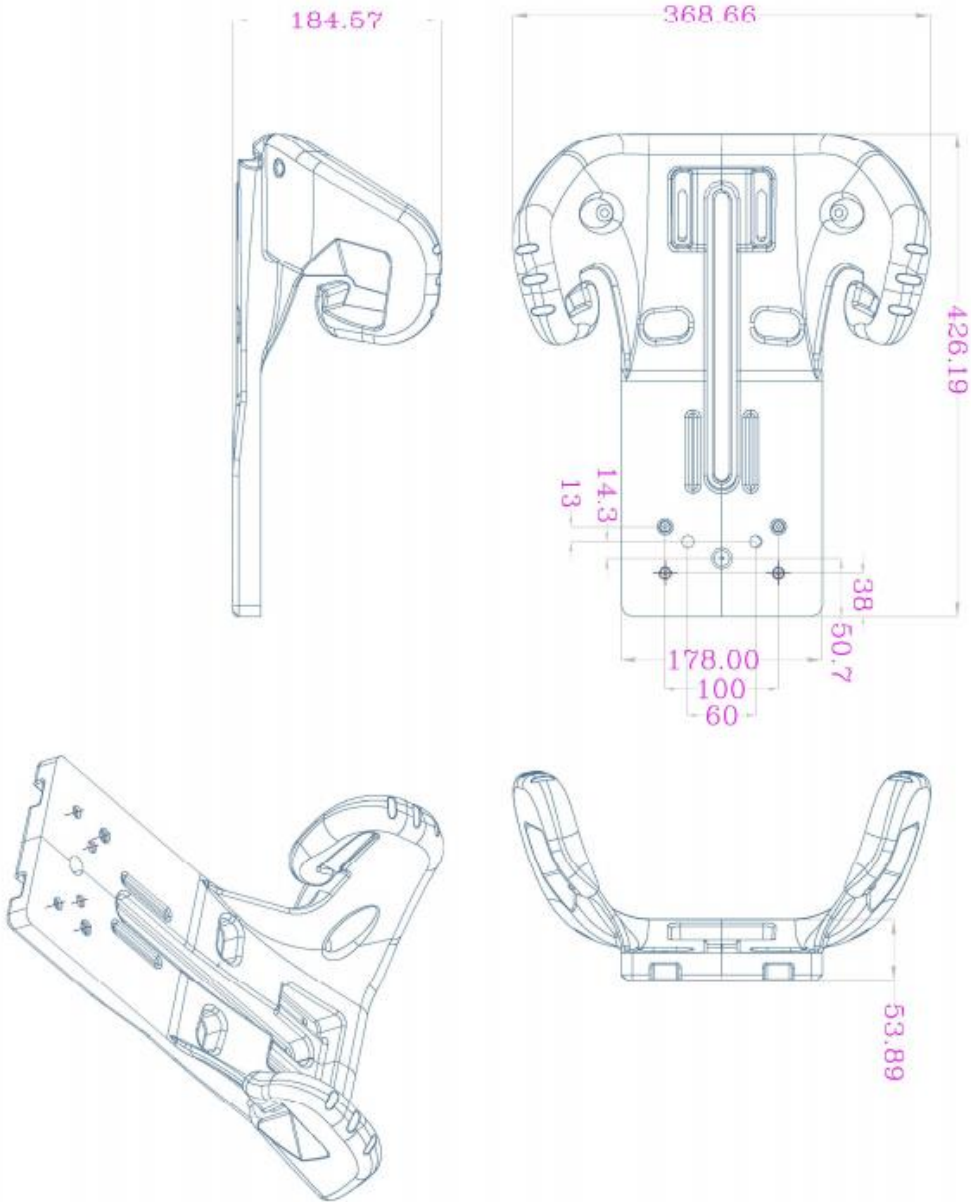
Manufacturer:	Ningbo Beflye Baby Products Co., Ltd.
Type:	BFL032
Part Name:	Drawing of rotation disc






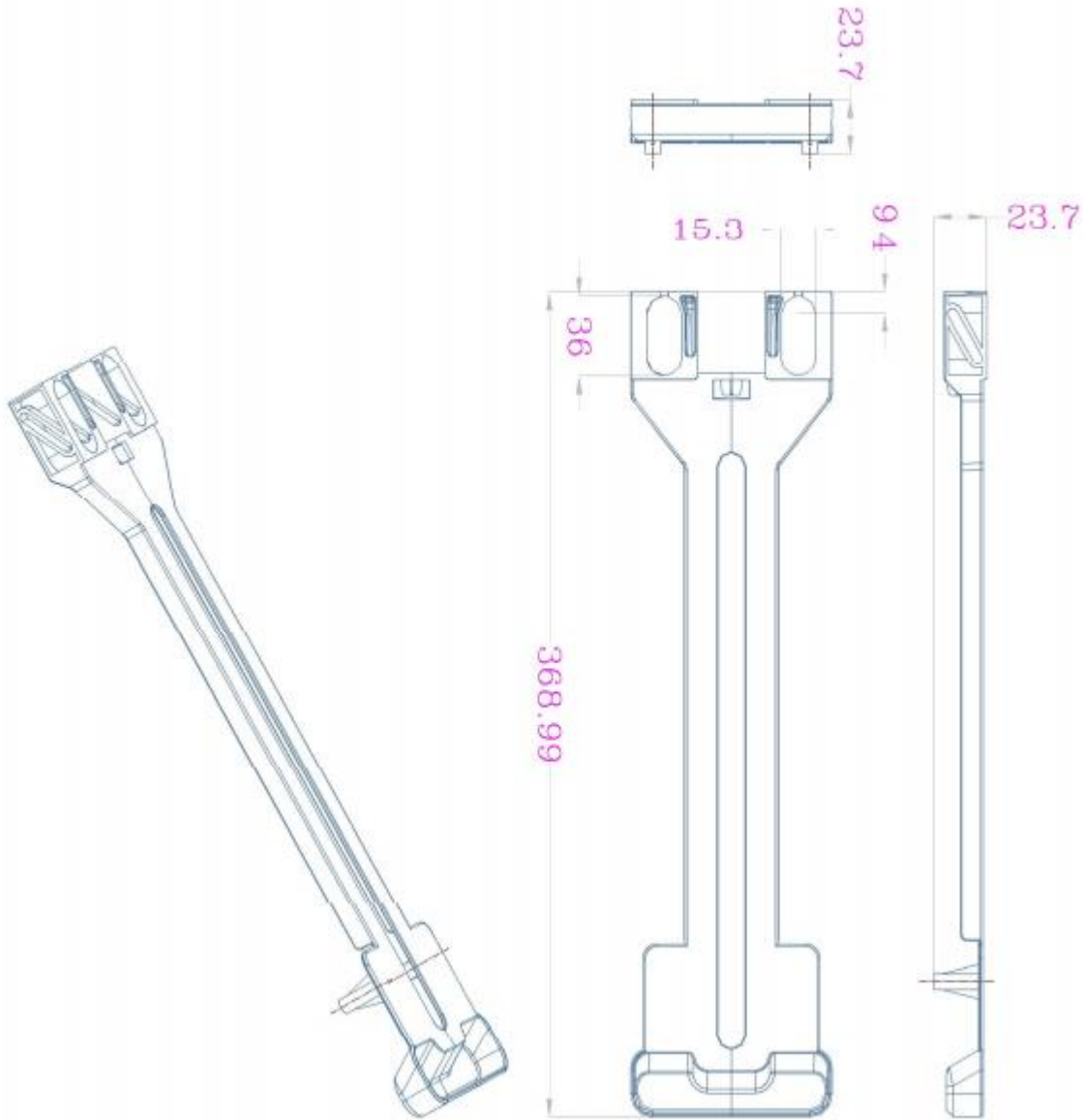
Ningbo Beflye Baby Products Co.,  
Ltd.

Type of product:	BFL032
Information document No.:	129-BFL032-00
Date of document:	2022-01-10
Page of document:	Page 23 of 52




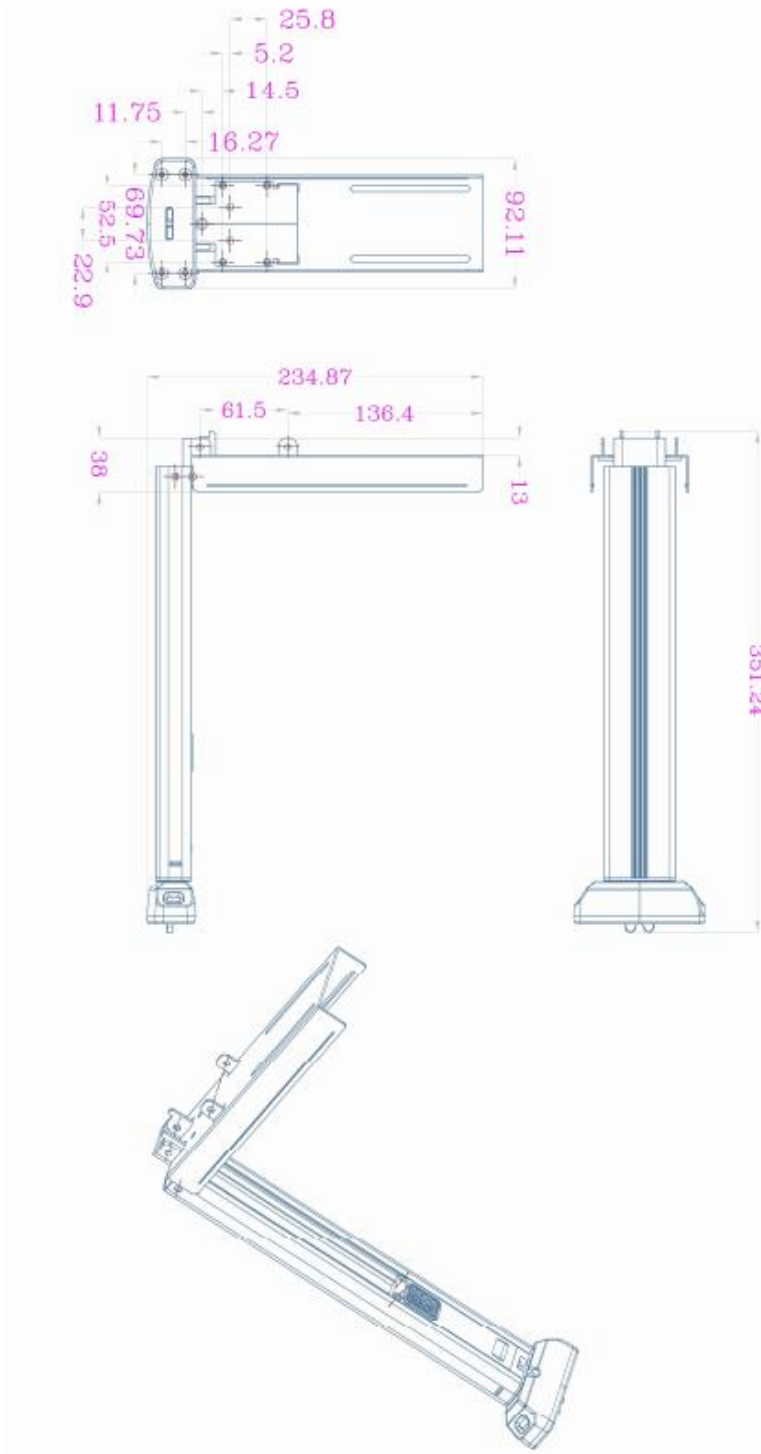
Manufacturer:	Ningbo Beflye Baby Products Co., Ltd.
Type:	BFL032
Part Name:	Drawing of headrest

	Ningbo Beflye Baby Products Co., Ltd.	Type of product:	BFL032
		Information document No.:	129-BFL032-00
		Date of document:	2022-01-10
		Page of document:	Page 24 of 52



Manufacturer:	Ningbo Beflye Baby Products Co., Ltd.
Type:	BFL032
Part Name:	Drawing of headrest adjusting handle

	Ningbo Beflye Baby Products Co., Ltd.	Type of product:	BFL032
		Information document No.:	129-BFL032-00
		Date of document:	2022-01-10
		Page of document:	Page 25 of 52

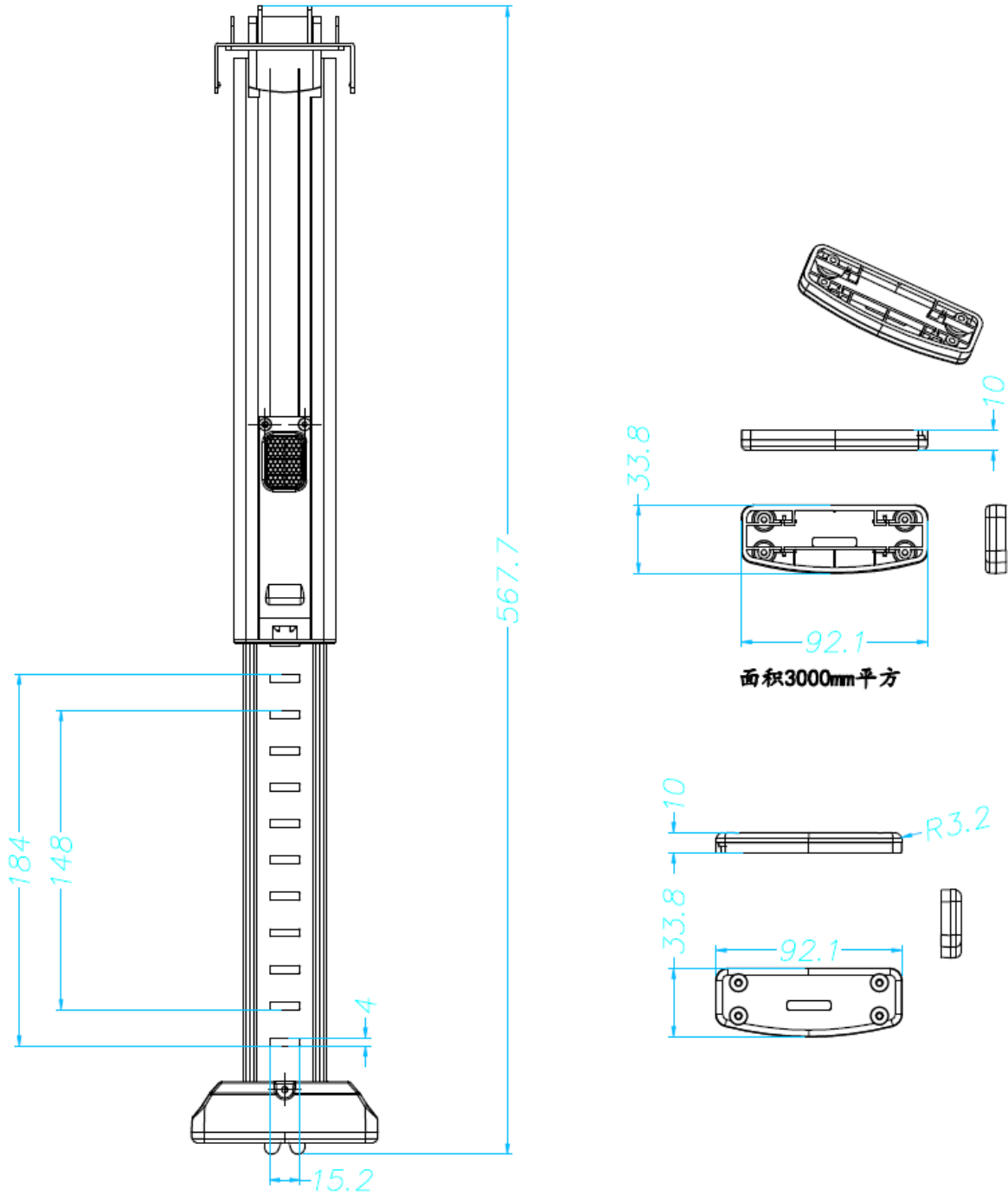


Manufacturer:	Ningbo Beflye Baby Products Co., Ltd.
Type:	BFL032
Part Name:	Drawing of support leg



Ningbo Beflye Baby Products Co.,  
Ltd.

Type of product:	BFL032
Information document No.:	129-BFL032-00
Date of document:	2022-01-10
Page of document:	Page 26 of 52



Manufacturer:	Ningbo Beflye Baby Products Co., Ltd.
Type:	BFL032
Part Name:	Drawing of support leg specifications



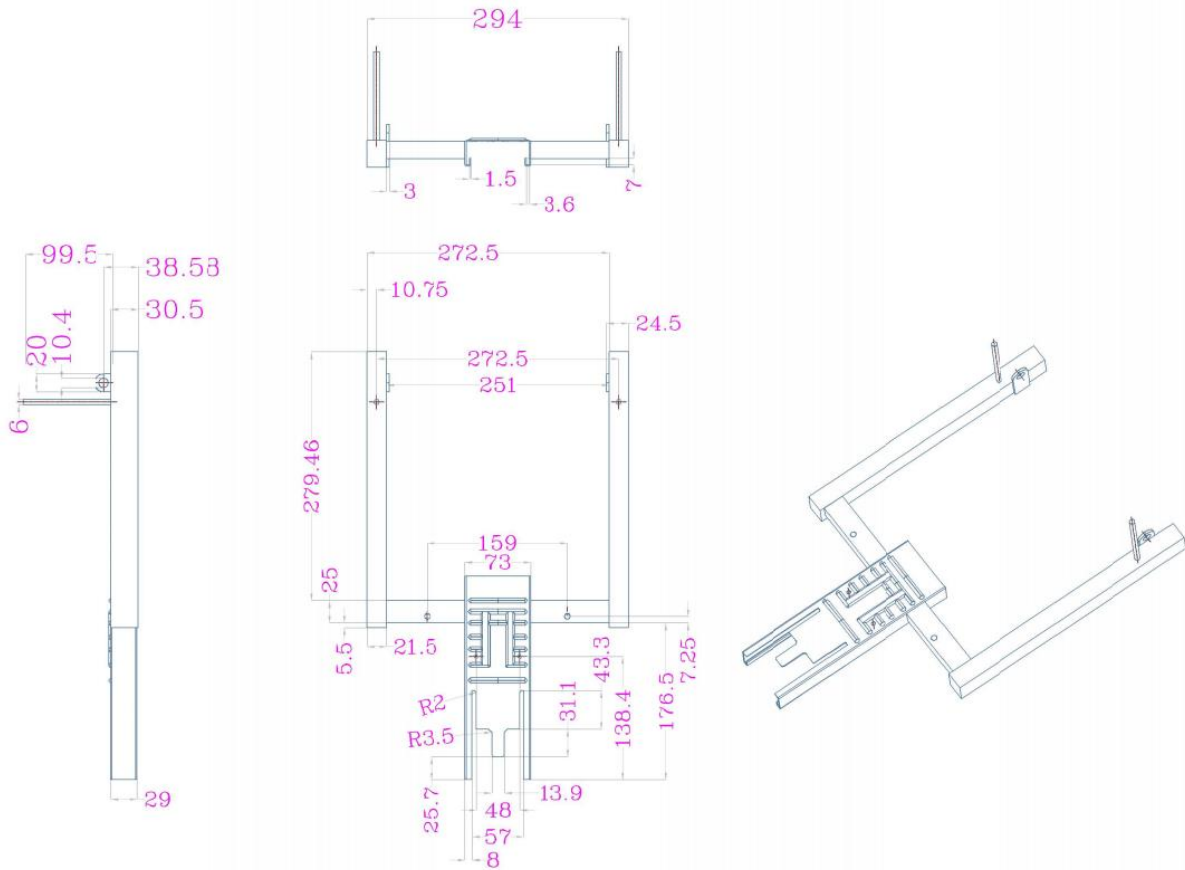
Ningbo Beflye Baby Products Co.,  
Ltd.

Type of product: BFL032


Information document No.: 129-BFL032-00

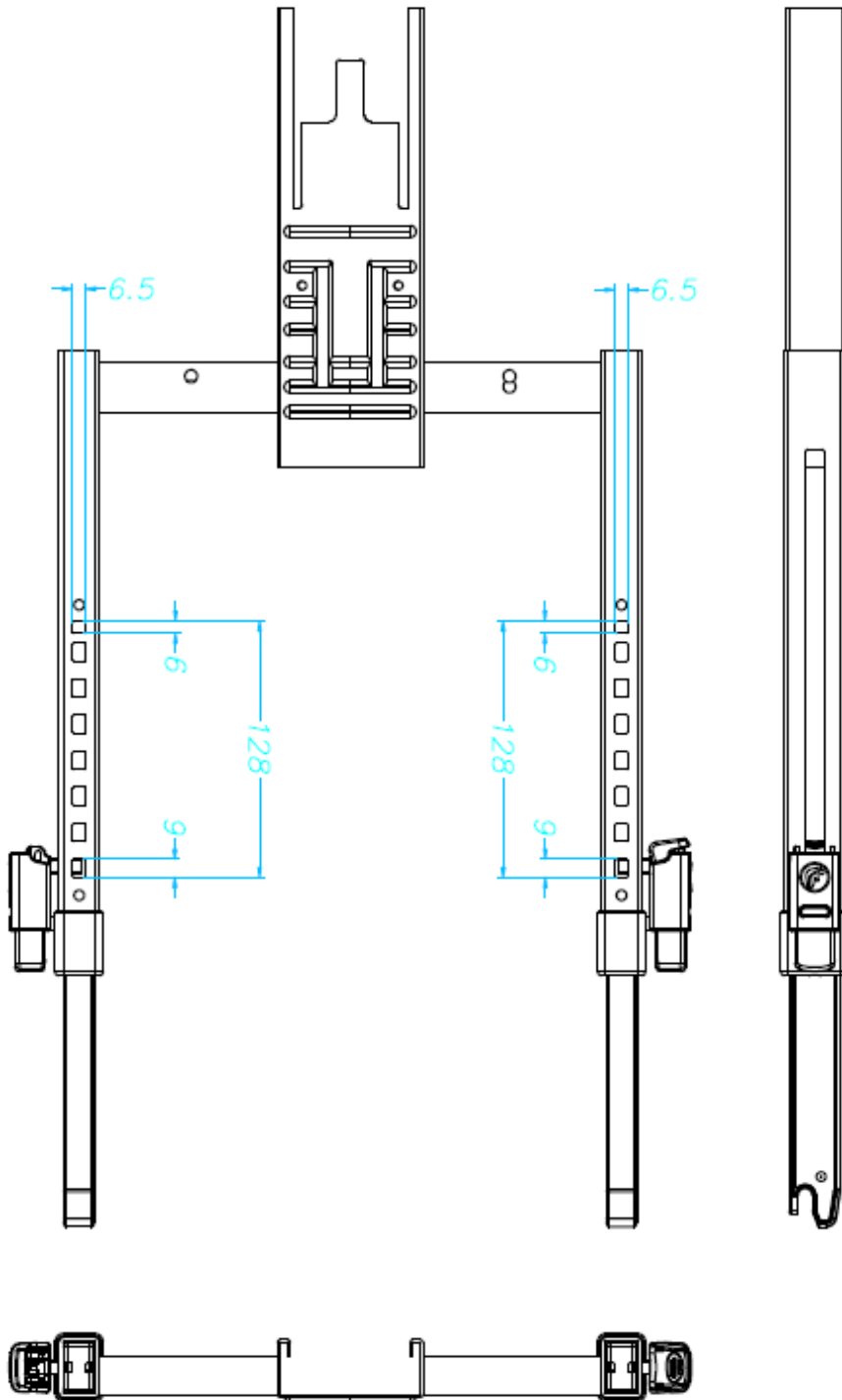
Date of document: 2022-01-10

Page of document: Page 27 of 52




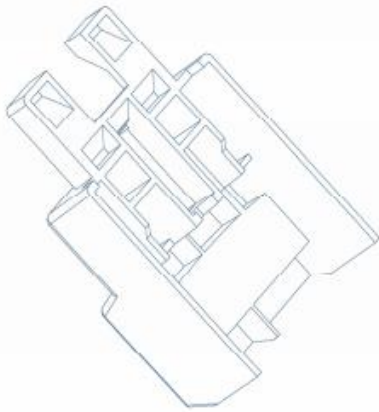
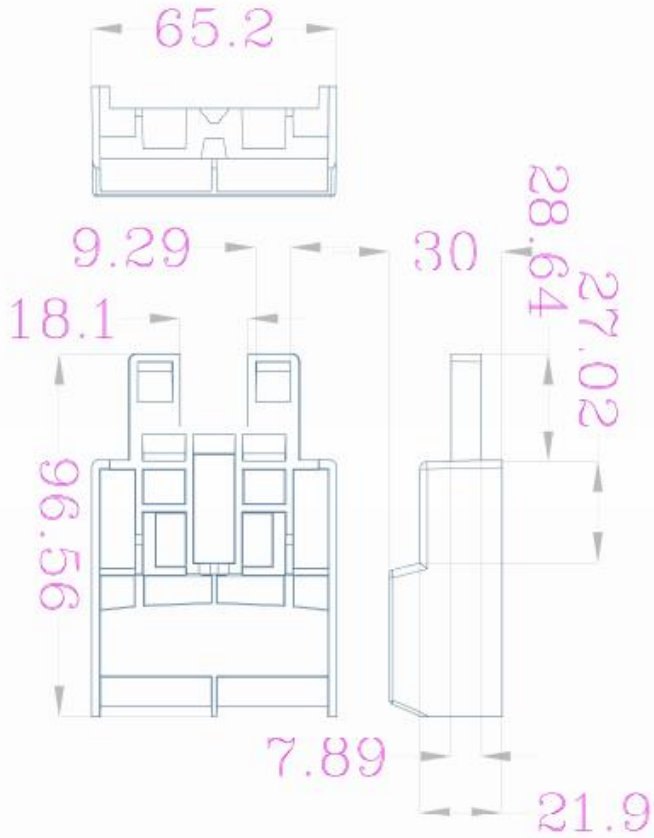
Manufacturer:	Ningbo Beflye Baby Products Co., Ltd.
Type:	BFL032
Part Name:	ISOFIX With Support Leg Holder

	Ningbo Beflye Baby Products Co., Ltd.	Type of product:	BFL032
		Information document No.:	129-BFL032-00
		Date of document:	2022-01-10
		Page of document:	Page 28 of 52




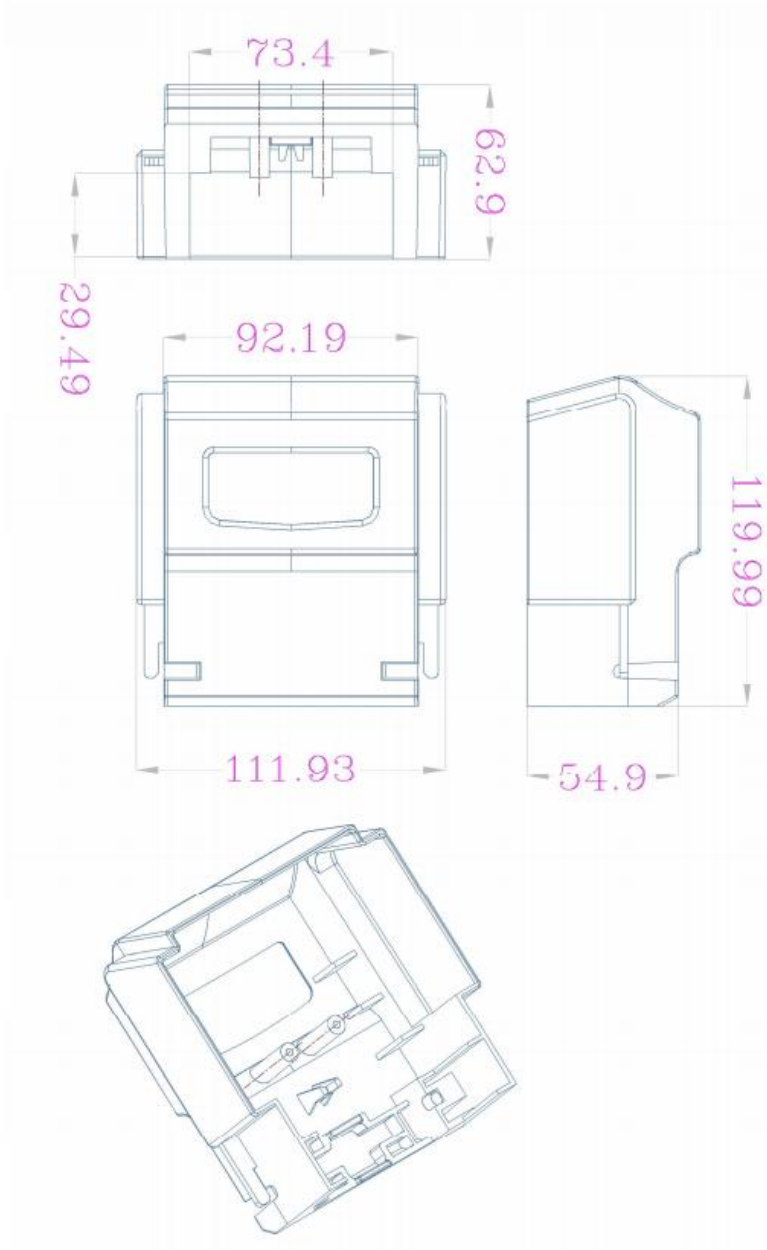
Manufacturer:	Ningbo Beflye Baby Products Co., Ltd.
Type:	BFL032
Part Name:	ISOFIX connectors specifications

	Ningbo Beflye Baby Products Co., Ltd.	Type of product:	BFL032
		Information document No.:	129-BFL032-00
		Date of document:	2022-01-10
		Page of document:	Page 29 of 52




Manufacturer:	Ningbo Beflye Baby Products Co., Ltd.
Type:	BFL032
Part Name:	Support Leg Adjustment Handle

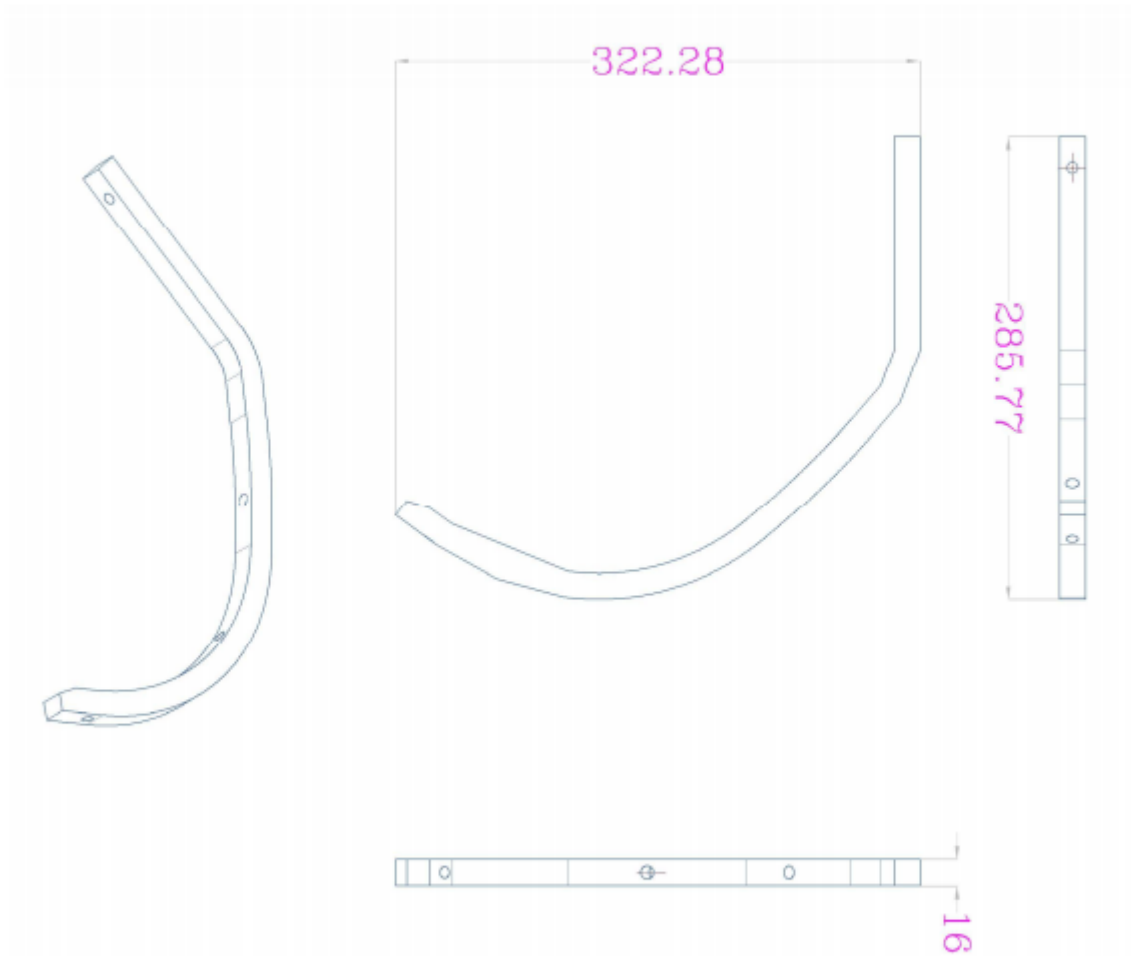
	Ningbo Beflye Baby Products Co., Ltd.	Type of product:	BFL032
		Information document No.:	129-BFL032-00
		Date of document:	2022-01-10
		Page of document:	Page 30 of 52




Manufacturer:	Ningbo Beflye Baby Products Co., Ltd.
Type:	BFL032
Part Name:	Support Leg Cover



	Ningbo Beflye Baby Products Co., Ltd.	Type of product:	BFL032
		Information document No.:	129-BFL032-00
		Date of document:	2022-01-10
		Page of document:	Page 31 of 52




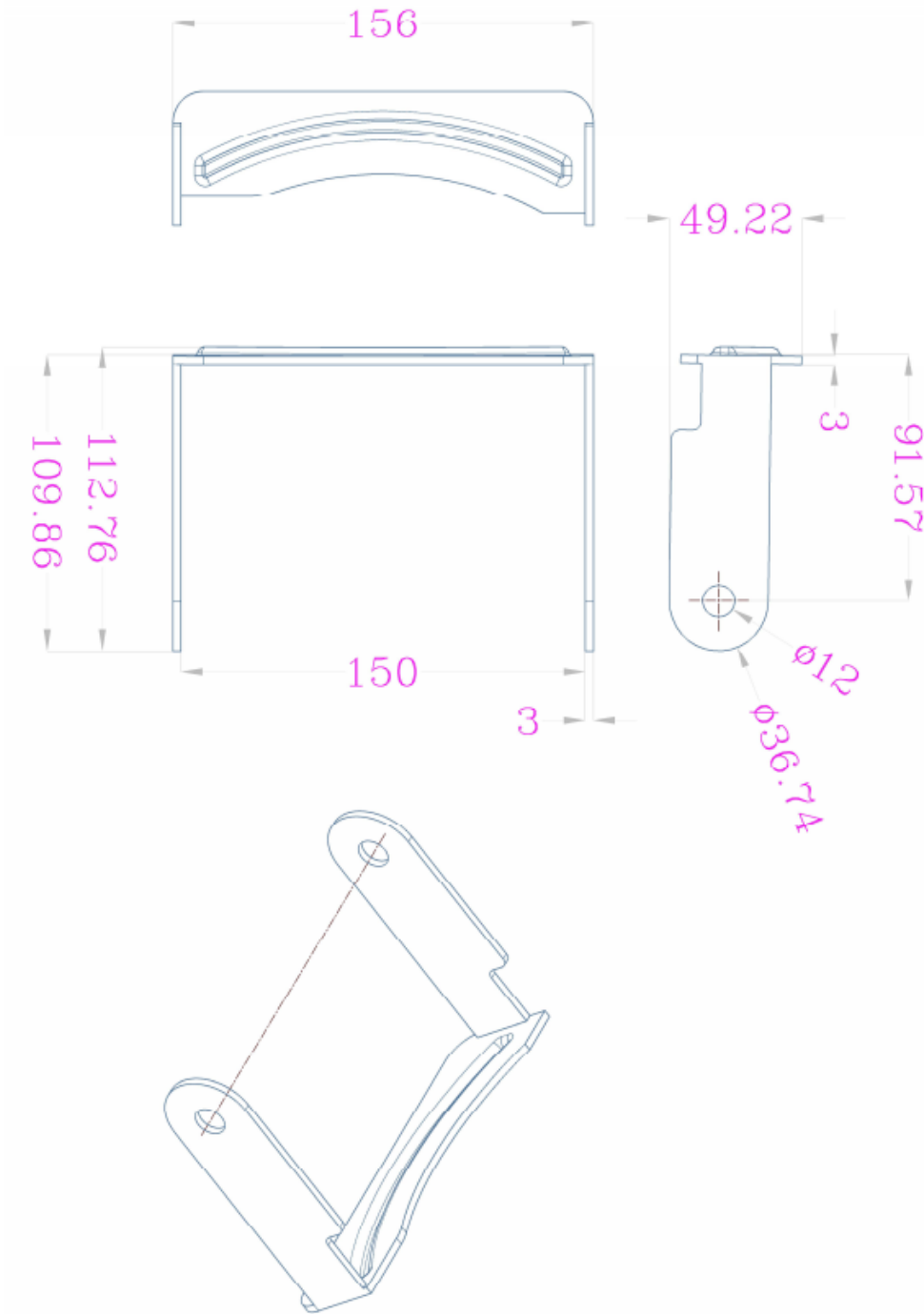
Manufacturer:	Ningbo Beflye Baby Products Co., Ltd.
Type:	BFL032
Part Name:	Reinforcing Tube

	Ningbo Beflye Baby Products Co., Ltd.	Type of product:	BFL032
		Information document No.:	129-BFL032-00
		Date of document:	2022-01-10
		Page of document:	Page 32 of 52




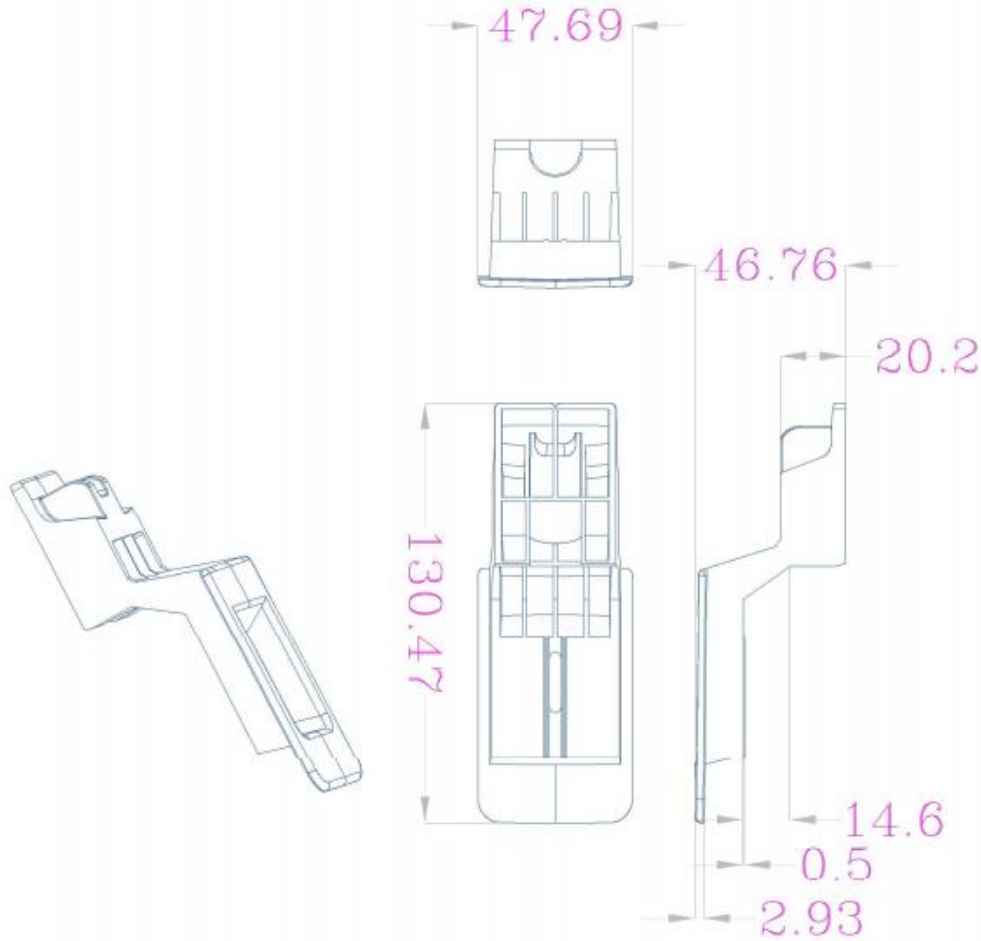
Manufacturer:	Ningbo Beflye Baby Products Co., Ltd.
Type:	BFL032
Part Name:	Rotation Fixing Cover

	Ningbo Beflye Baby Products Co., Ltd.	Type of product:	BFL032
		Information document No.:	129-BFL032-00
		Date of document:	2022-01-10
		Page of document:	Page 33 of 52




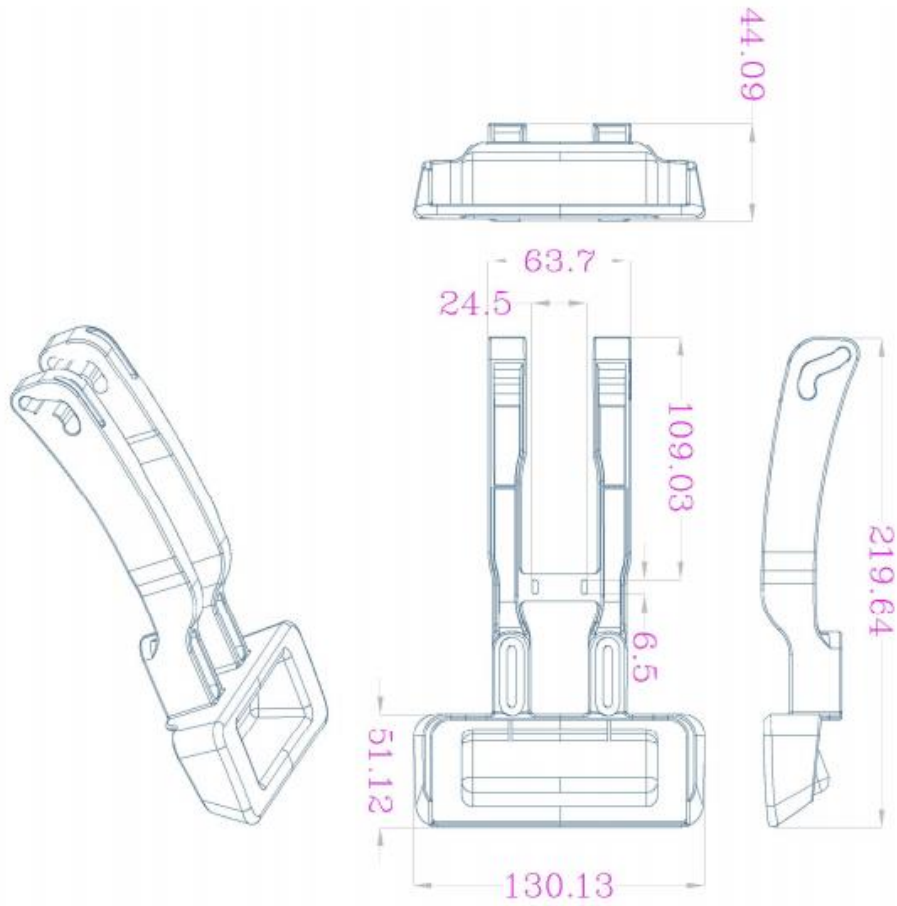
Manufacturer:	Ningbo Beflye Baby Products Co., Ltd.
Type:	BFL032
Part Name:	Connecting Rod Fixings part

	Ningbo Beflye Baby Products Co., Ltd.	Type of product:	BFL032
		Information document No.:	129-BFL032-00
		Date of document:	2022-01-10
		Page of document:	Page 34 of 52




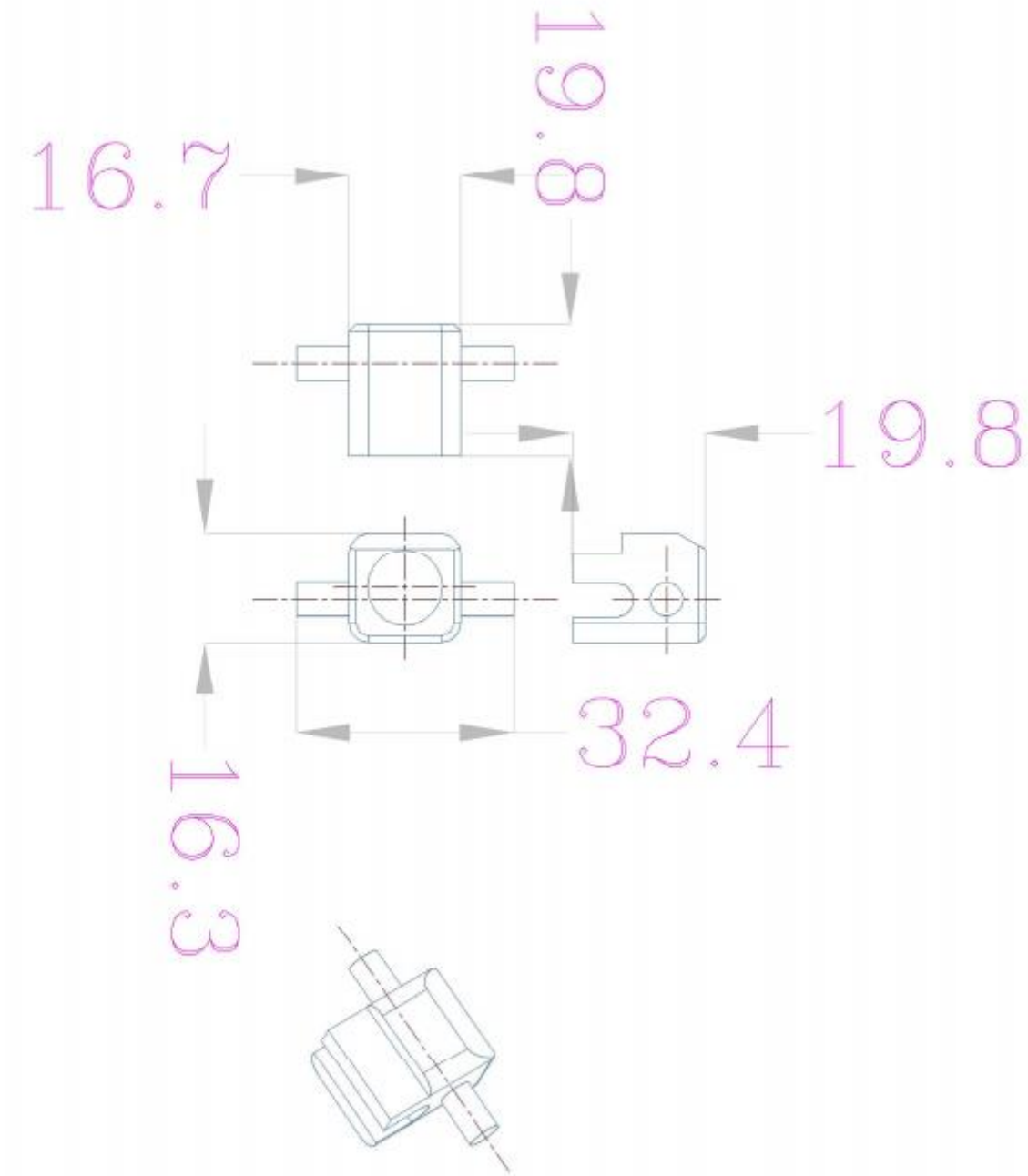
Manufacturer:	Ningbo Beflye Baby Products Co., Ltd.
Type:	BFL032
Part Name:	Rotation adjustment Button

	Ningbo Beflye Baby Products Co., Ltd.	Type of product:	BFL032
		Information document No.:	129-BFL032-00
		Date of document:	2022-01-10
		Page of document:	Page 35 of 52




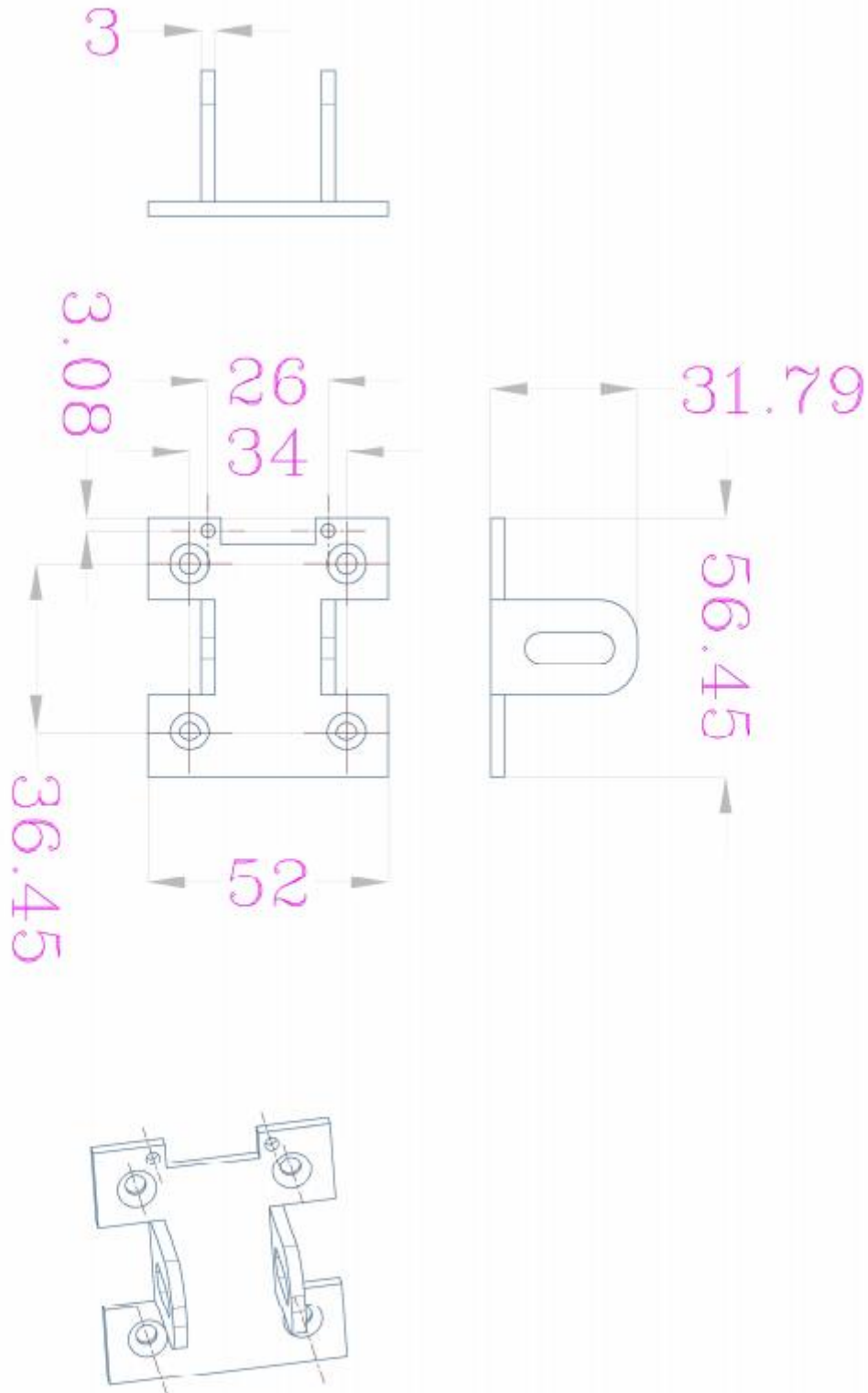
Manufacturer:	Ningbo Beflye Baby Products Co., Ltd.
Type:	BFL032
Part Name:	Position Adjustment Handle

	Ningbo Beflye Baby Products Co., Ltd.	Type of product:	BFL032
		Information document No.:	129-BFL032-00
		Date of document:	2022-01-10
		Page of document:	Page 36 of 52




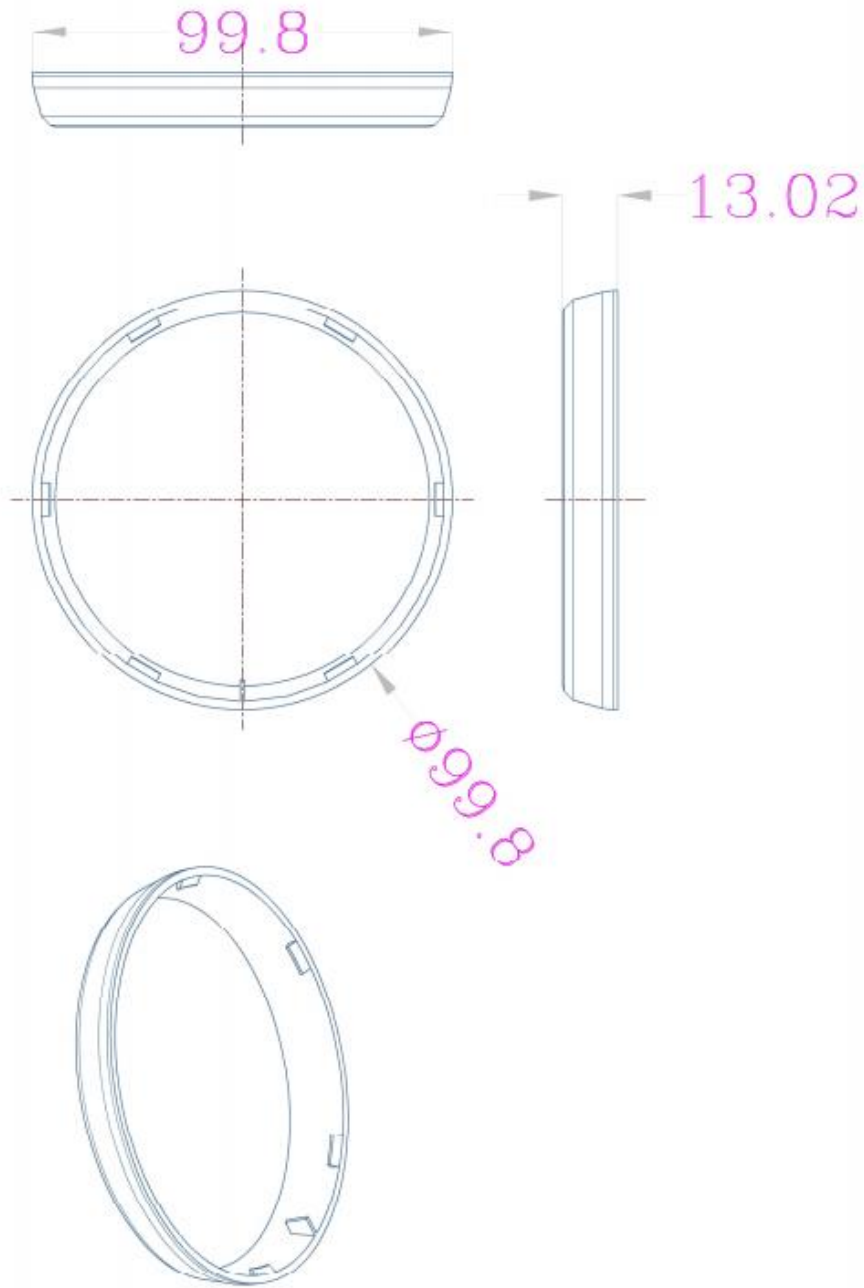
Manufacturer:	Ningbo Beflye Baby Products Co., Ltd.
Type:	BFL032
Part Name:	Spring Fix Part

	Ningbo Beflye Baby Products Co., Ltd.	Type of product:	BFL032
		Information document No.:	129-BFL032-00
		Date of document:	2022-01-10
		Page of document:	Page 37 of 52




Manufacturer:	Ningbo Beflye Baby Products Co., Ltd.
Type:	BFL032
Part Name:	Shift iron support

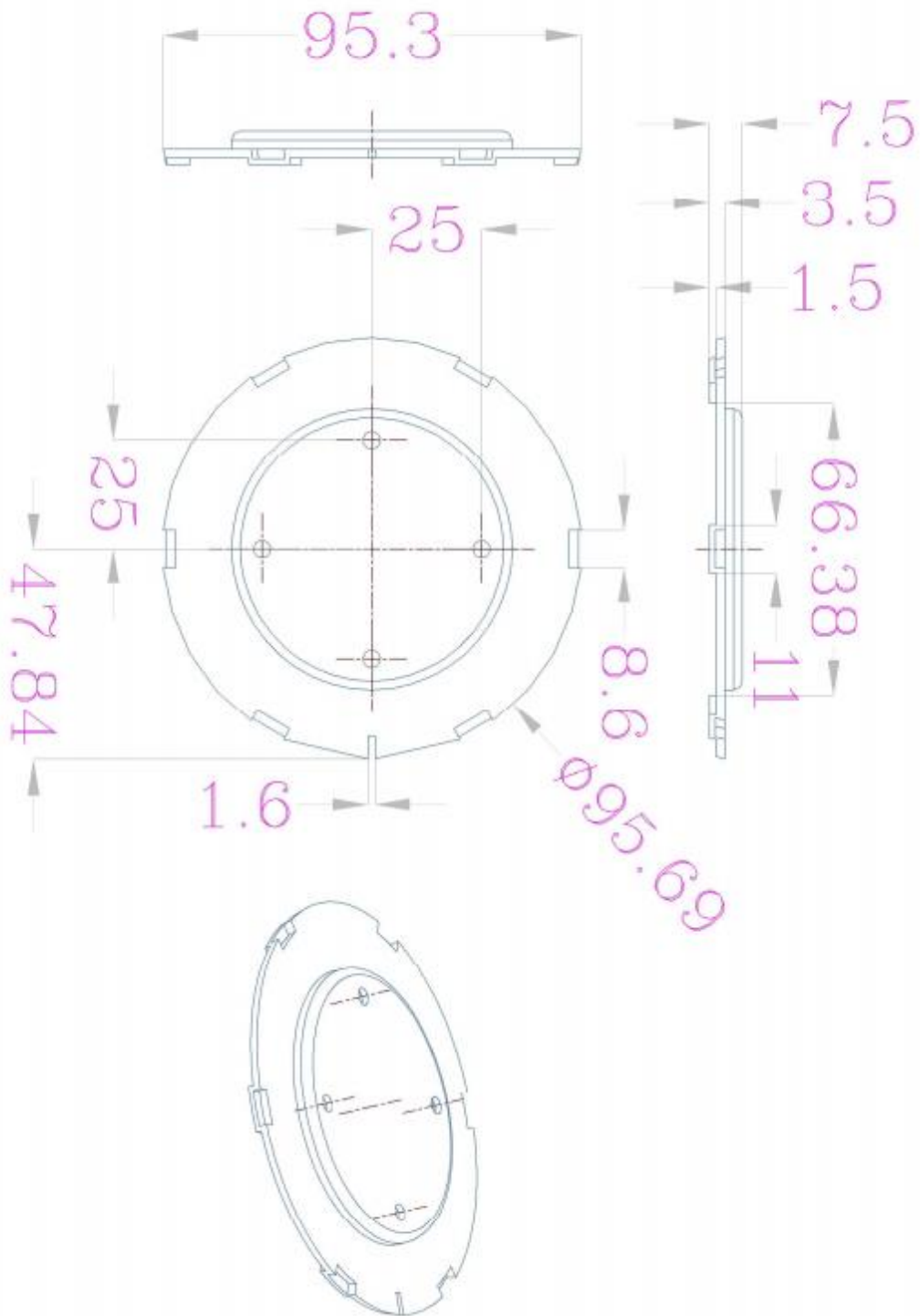
	Ningbo Beflye Baby Products Co., Ltd.	Type of product:	BFL032
		Information document No.:	129-BFL032-00
		Date of document:	2022-01-10
		Page of document:	Page 38 of 52




Manufacturer:	Ningbo Beflye Baby Products Co., Ltd.
Type:	BFL032
Part Name:	Side Protection Base

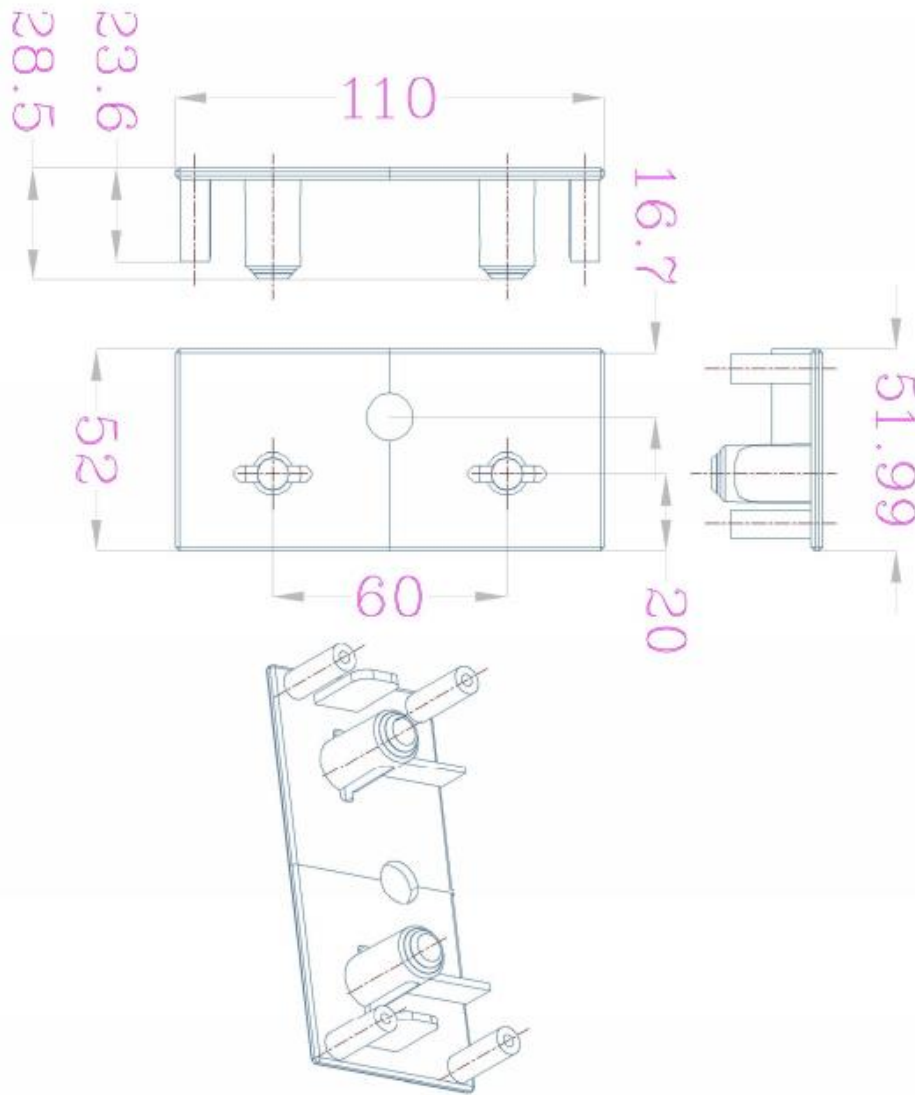


	Ningbo Beflye Baby Products Co., Ltd.	Type of product:	BFL032
		Information document No.:	129-BFL032-00
		Date of document:	2022-01-10
		Page of document:	Page 39 of 52




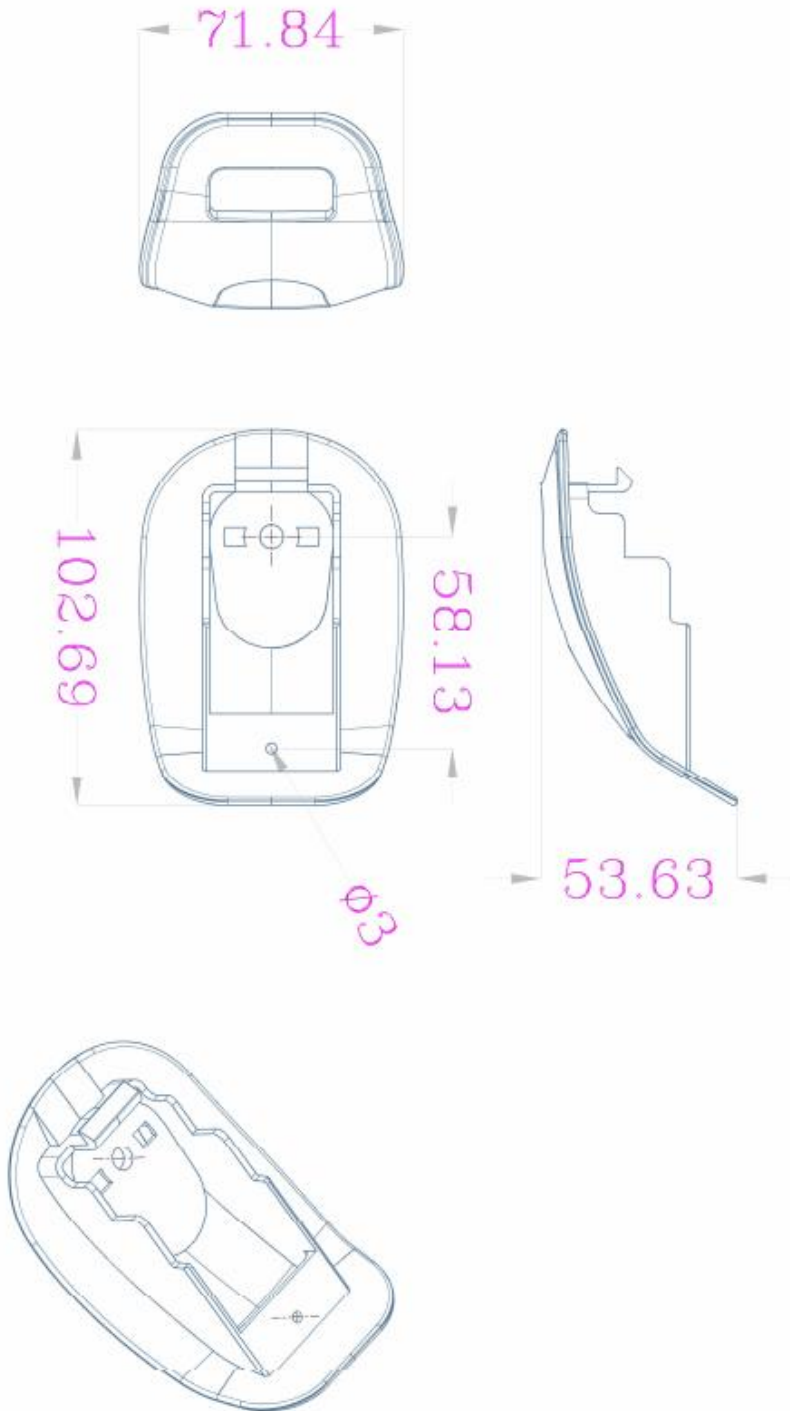
Manufacturer:	Ningbo Beflye Baby Products Co., Ltd.
Type:	BFL032
Part Name:	Side Protection cover

	Ningbo Beflye Baby Products Co., Ltd.	Type of product:	BFL032
		Information document No.:	129-BFL032-00
		Date of document:	2022-01-10
		Page of document:	Page 40 of 52




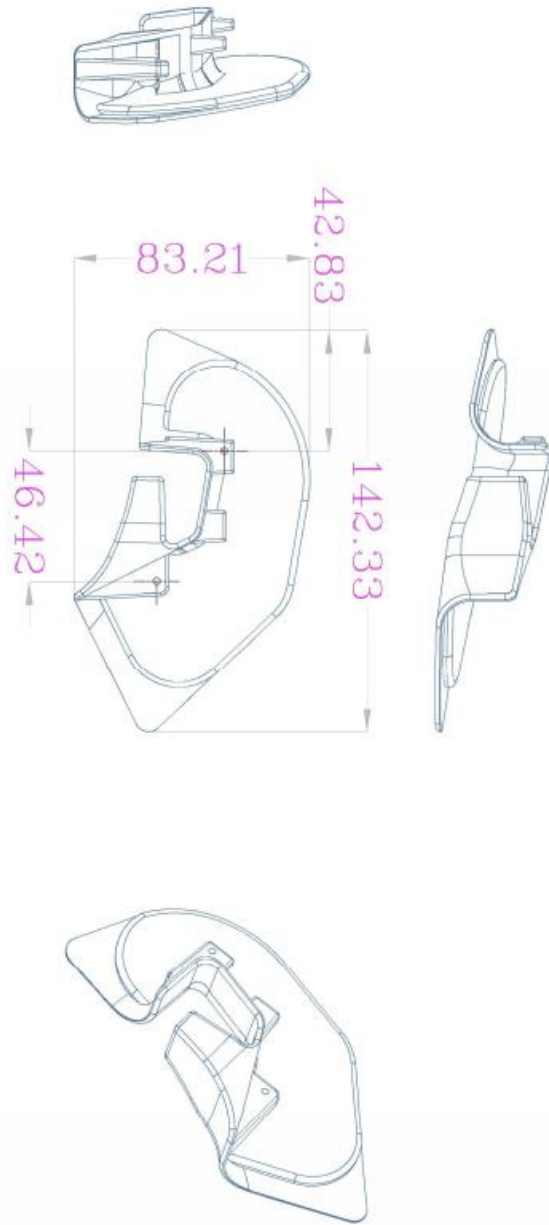
Manufacturer:	Ningbo Beflye Baby Products Co., Ltd.
Type:	BFL032
Part Name:	Headrest adjusting handle fixing cover

	Ningbo Beflye Baby Products Co., Ltd.	Type of product:	BFL032
		Information document No.:	129-BFL032-00
		Date of document:	2022-01-10
		Page of document:	Page 41 of 52




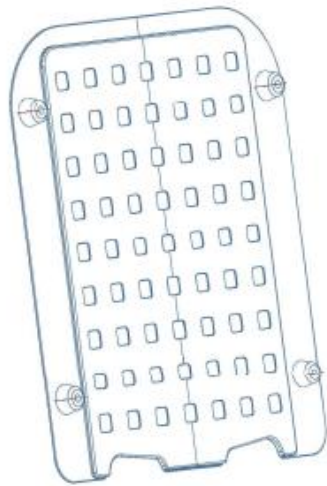
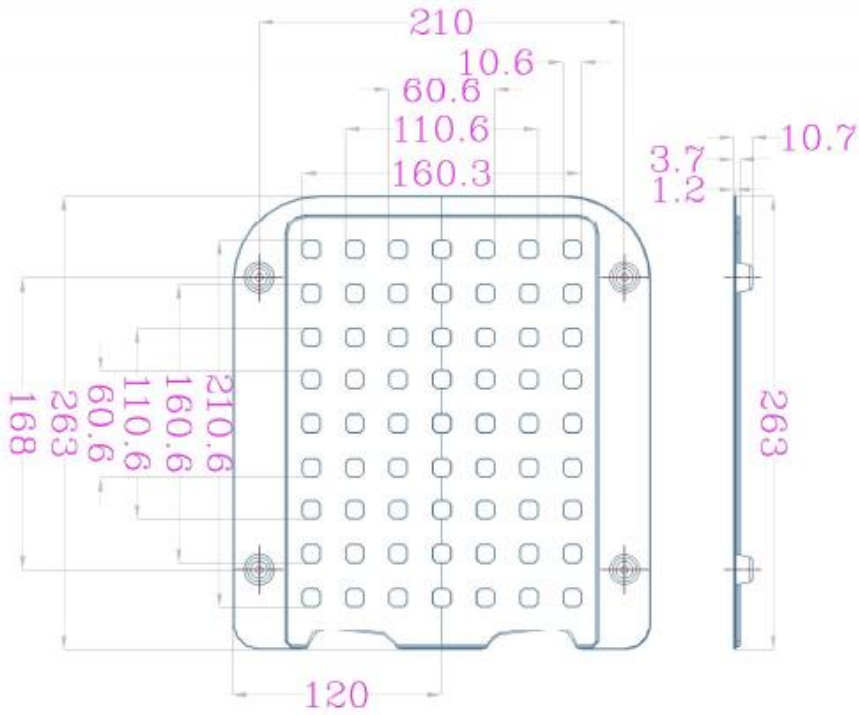
Manufacturer:	Ningbo Beflye Baby Products Co., Ltd.
Type:	BFL032
Part Name:	Decorative cover

	Ningbo Beflye Baby Products Co., Ltd.	Type of product:	BFL032
		Information document No.:	129-BFL032-00
		Date of document:	2022-01-10
		Page of document:	Page 42 of 52



Manufacturer:	Ningbo Beflye Baby Products Co., Ltd.
Type:	BFL032
Part Name:	Left lab belt guiding cover

	Ningbo Beflye Baby Products Co., Ltd.	Type of product:	BFL032
		Information document No.:	129-BFL032-00
		Date of document:	2022-01-10
		Page of document:	Page 43 of 52

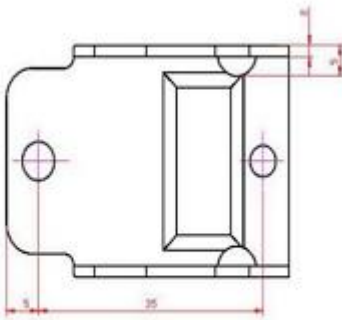
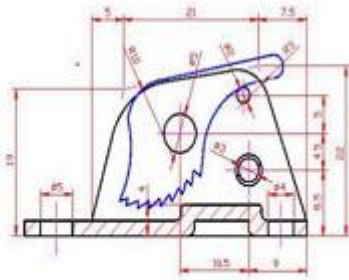
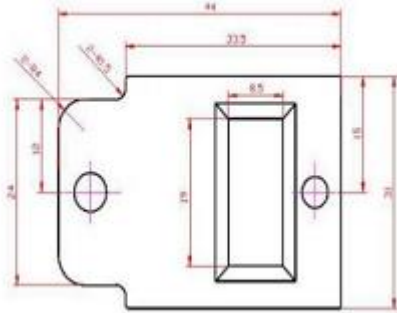


Manufacturer:	Ningbo Beflye Baby Products Co., Ltd.
Type:	BFL032
Part Name:	Backrest Blocking Cover




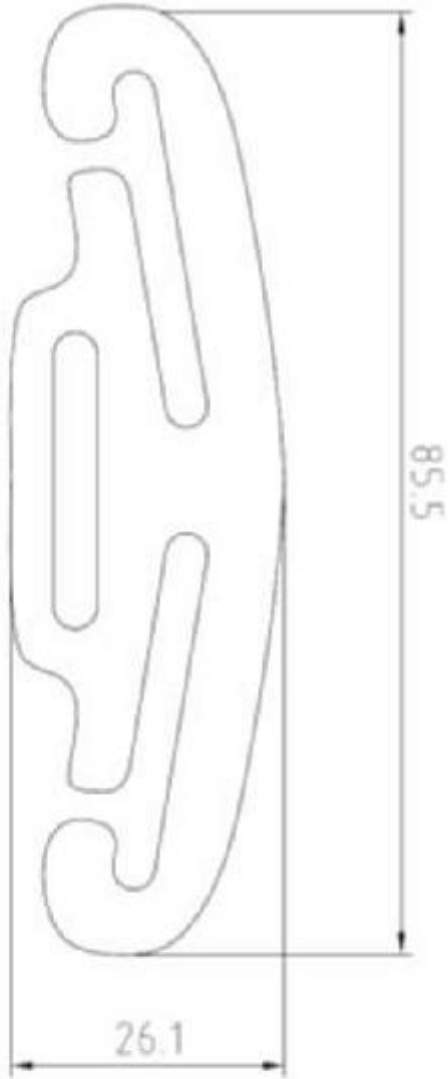
Ningbo Beflye Baby Products Co.,  
Ltd.

Type of product:	BFL032
Information document No.:	129-BFL032-00
Date of document:	2022-01-10
Page of document:	Page 44 of 52




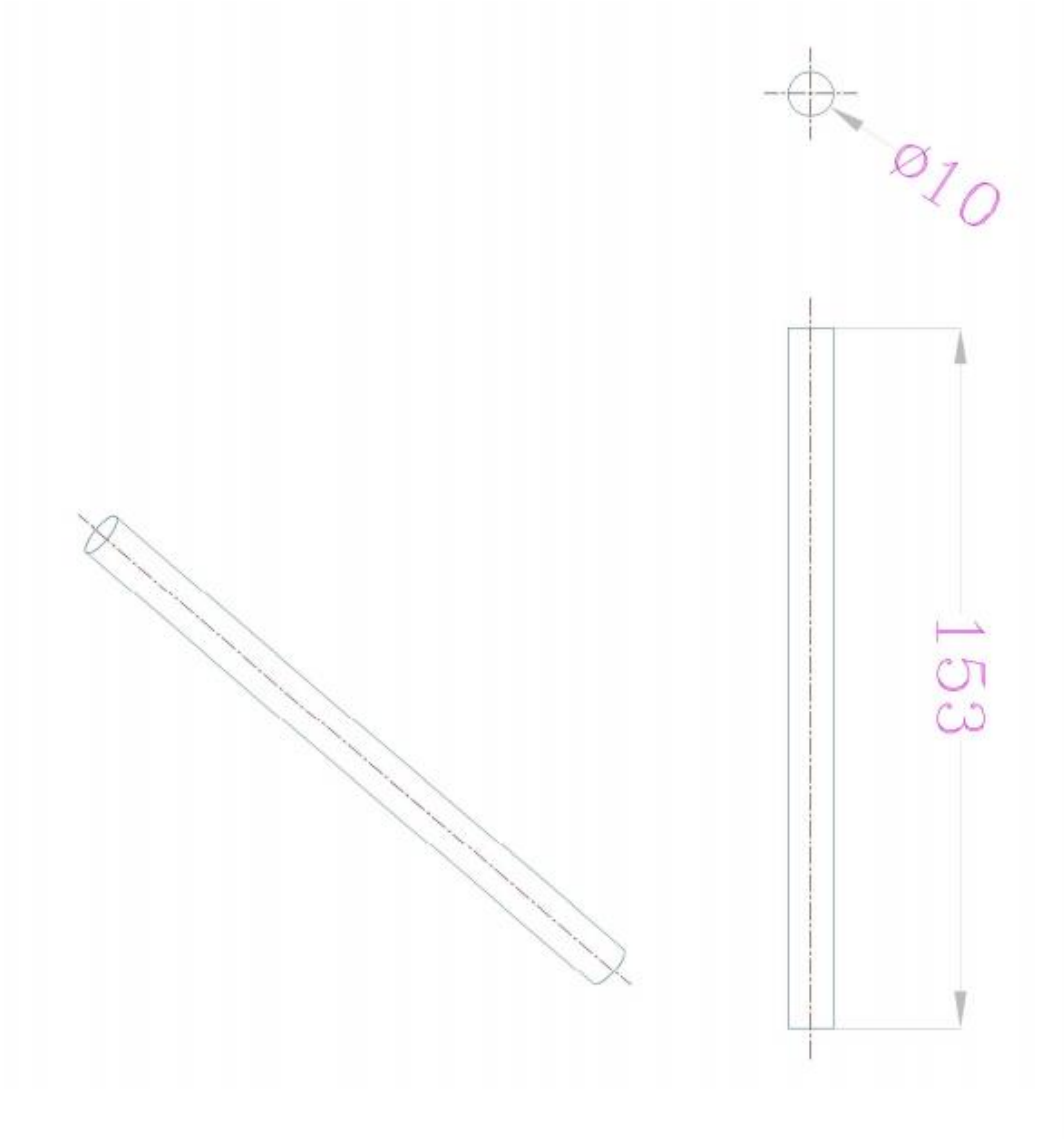
Manufacturer:	Ningbo Beflye Baby Products Co., Ltd.
Type:	BFL032
Part Name:	Adjusting device

	Ningbo Beflye Baby Products Co., Ltd.	Type of product:	BFL032
		Information document No.:	129-BFL032-00
		Date of document:	2022-01-10
		Page of document:	Page 45 of 52




Manufacturer:	Ningbo Beflye Baby Products Co., Ltd.
Type:	BFL032
Part Name:	Yoke

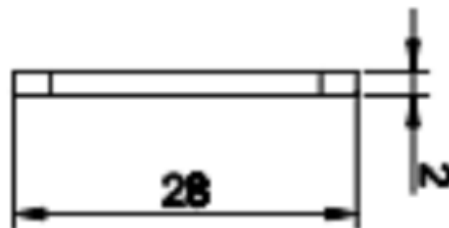
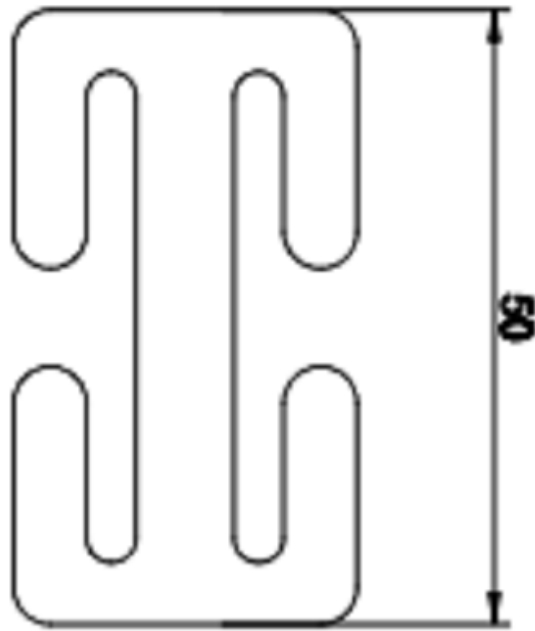
	Ningbo Beflye Baby Products Co., Ltd.	Type of product:	BFL032
		Information document No.:	129-BFL032-00
		Date of document:	2022-01-10
		Page of document:	Page 46 of 52




Manufacturer:	Ningbo Beflye Baby Products Co., Ltd.
Type:	BFL032
Part Name:	Fixing axle for supporting leg cover

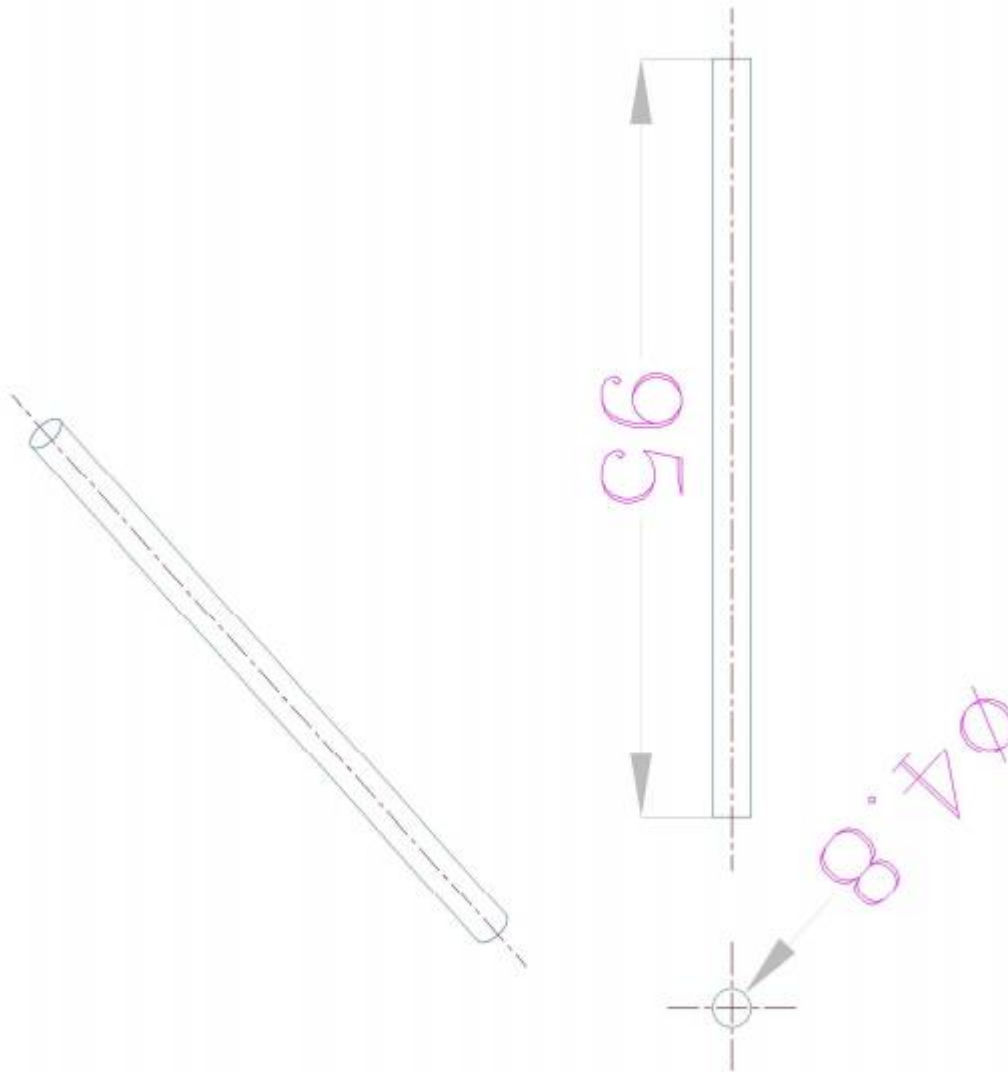


	Ningbo Beflye Baby Products Co., Ltd.	Type of product:	BFL032
		Information document No.:	129-BFL032-00
		Date of document:	2022-01-10
		Page of document:	Page 47 of 52




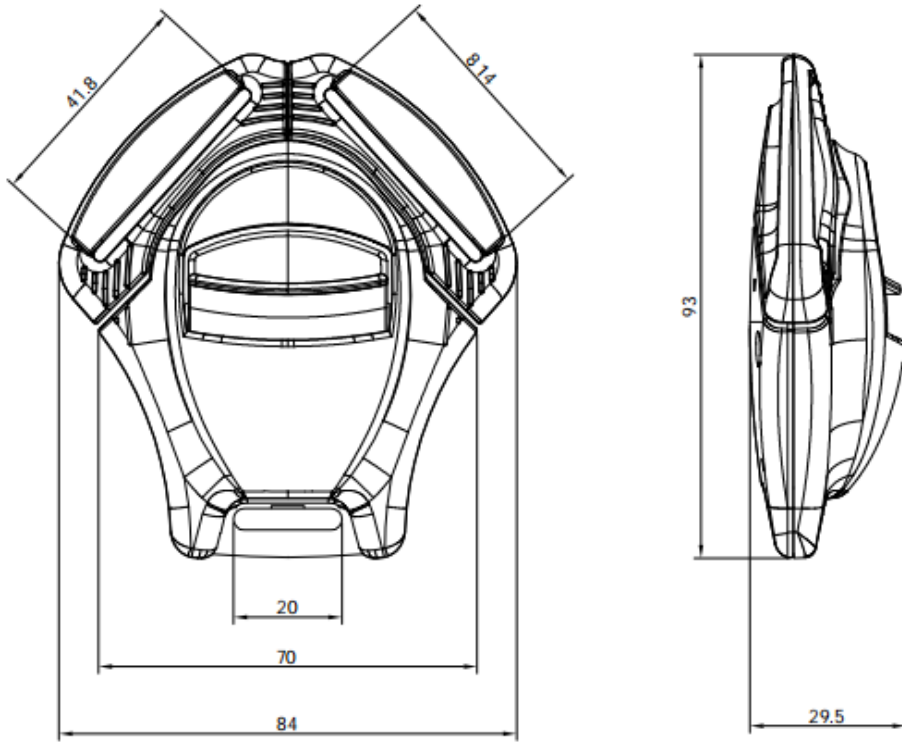
Manufacturer:	Ningbo Beflye Baby Products Co., Ltd.
Type:	BFL032
Part Name:	Metal Pad

	Ningbo Beflye Baby Products Co., Ltd.	Type of product:	BFL032
		Information document No.:	129-BFL032-00
		Date of document:	2022-01-10
		Page of document:	Page 48 of 52




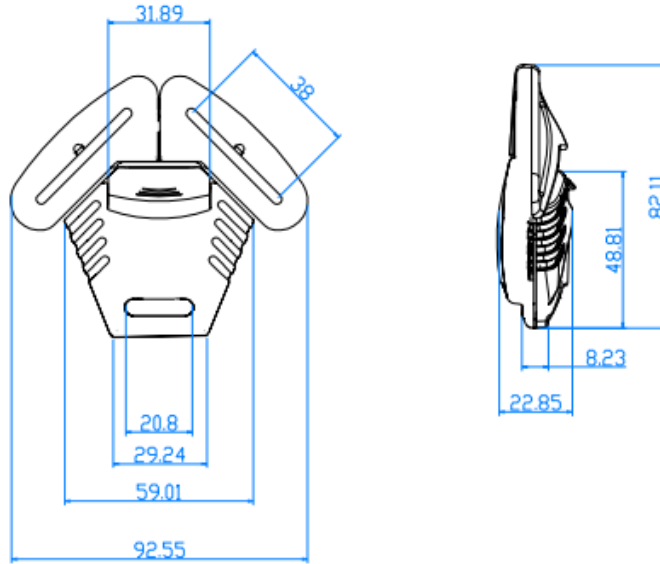
Manufacturer:	Ningbo Beflye Baby Products Co., Ltd.
Type:	BFL032
Part Name:	Headrest handle fixing shaft sleeve

	Ningbo Beflye Baby Products Co., Ltd.	Type of product:	BFL032
		Information document No.:	129-BFL032-00
		Date of document:	2022-01-10
		Page of document:	Page 49 of 52




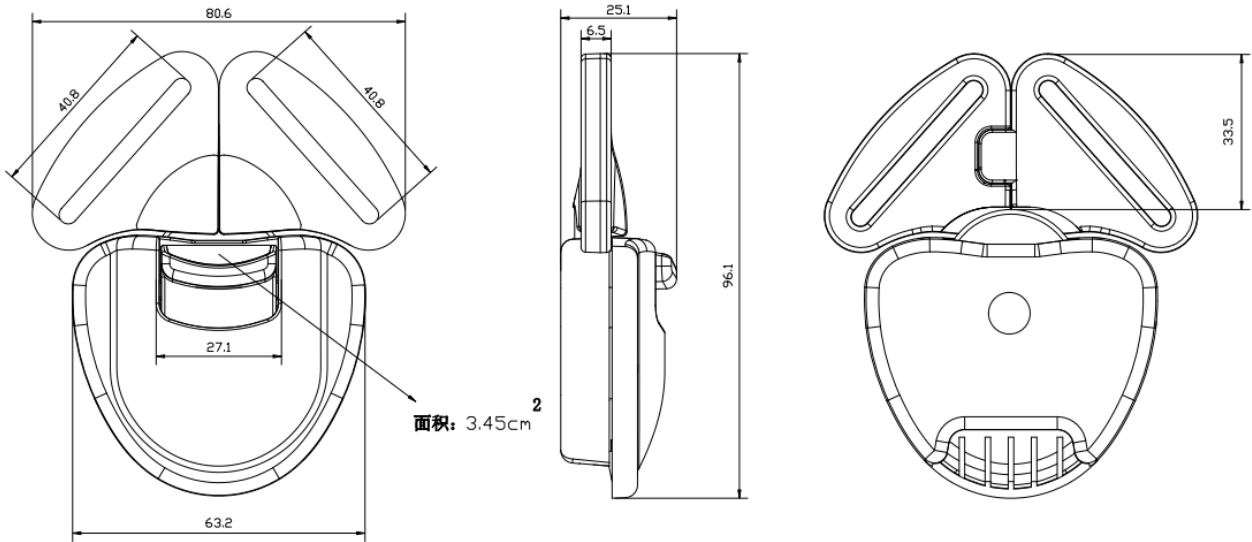
Manufacturer:	Ningbo Beflye Baby Products Co., Ltd.
Type:	BFL032
Part Name:	Buckle (Ningbo Fenix Safety Import&Export Co., Ltd.)

	Ningbo Beflye Baby Products Co., Ltd.	Type of product:	BFL032
		Information document No.:	129-BFL032-00
		Date of document:	2022-01-10
		Page of document:	Page 50 of 52




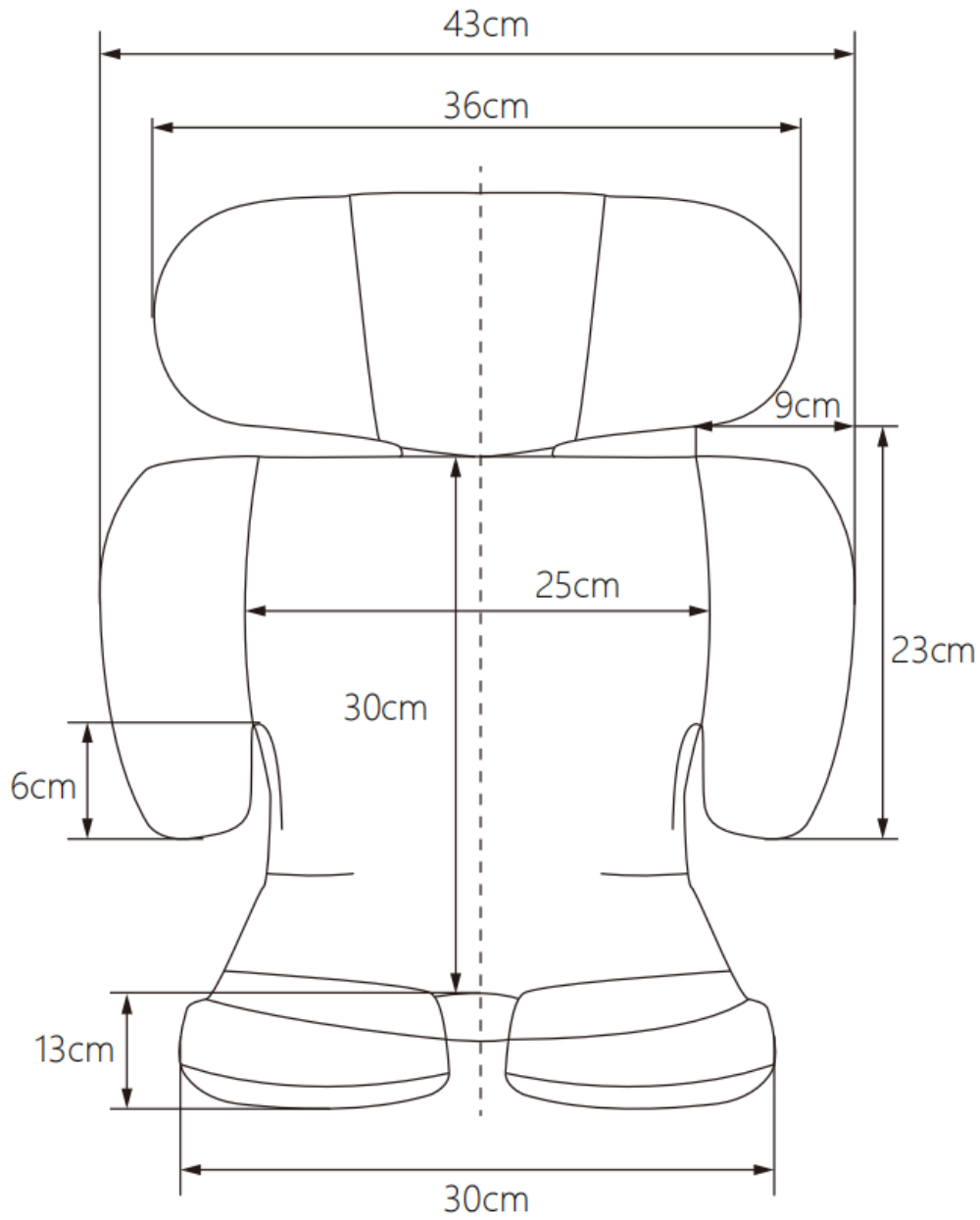
Manufacturer:	Ningbo Beflye Baby Products Co., Ltd.
Type:	BFL032
Part Name:	Buckle ( Wuxi Likai children's products Co., Ltd.)

	Ningbo Beflye Baby Products Co., Ltd.	Type of product:	BFL032
		Information document No.:	129-BFL032-00
		Date of document:	2022-01-10
		Page of document:	Page 51 of 52



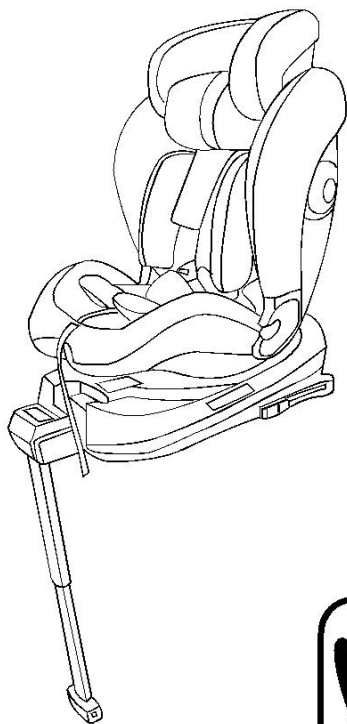
Manufacturer:	Ningbo Beflye Baby Products Co., Ltd.
Type:	BFL032
Part Name:	Buckle (Taizhou aokaite Auto Parts Co., Ltd.)

	Ningbo Beflye Baby Products Co., Ltd.	Type of product:	BFL032
		Information document No.:	129-BFL032-00
		Date of document:	2022-01-10
		Page of document:	Page 52 of 52



Manufacturer:	Ningbo Beflye Baby Products Co., Ltd.
Type:	BFL032
Part Name:	Small baby insert cushion

## Child Seat User Manual



This child seat is suitable for  
**Size range: 40-150 cm | Age: 0-12 years**

**Model: BFL032**

Thank you for purchasing our child seat. We hope this product can bring you a safe journey and a happy life.

In order to ensure that your child is fully protected, please use and install the child seat correctly according to the description in this user manual.

If you have any questions about the use and installation of the child seat, please consult our customer service department or retailer.

Please read this manual and be familiar with the use and installation of child seat before use.

Manufacturer: Ningbo Beflye Baby Products Co., Ltd.

Address: No. 9, 2nd Floor, Unit 1, Building No. 1, No. 69, East of Chenshan Road,  
Xiaogang Street, Beilun District, Ningbo City, Zhejiang Province, 315800, P.R. China

## CONTENTS

1. Important information .....	3
2. Introduction of child seat.....	4
3. Installation instructions.....	5
4. Use of ISOFIX .....	6
5. Use of support leg.....	7
6. Use of 5-point harness system .....	8
7. Adjustment of facing direction and the backrest angle .....	9
8. Adjustment of headrest.....	9
9. Installation method for child's height range 40-105cm, rearward facing.....	10
10. Installation method for child's height range 76-105cm, forward facing.....	11
11. Installation method for child's height range 100-150cm, forward facing.....	11
12. Remove the cover .....	13
13. Care and maintenance .....	13



## 1. Important information

### Warning

- 1.1. The rigid items and plastic parts of an ECRS shall be so located and installed that they are not liable, during everyday use of the vehicle, to become trapped by a movable seat or in a door of the vehicle.
- 1.2. Any straps holding the restraint to the vehicle should be tight, any support-leg should be in contact with the vehicle floor, any straps or impact shields restraining the child should be adjusted to the child's body, and straps should not be twisted.
- 1.3. It is important to ensure that any lap strap is worn low down.
- 1.4. The ECRS should be replaced when it has been subject to violent stresses in an accident.
- 1.5. It is danger to make any alterations or additions to the device without the approval of the Type Approval Authority, and it is also danger not following closely the installation instructions provided by the ECRS manufacturer.
- 1.6. Be sure that children are not left in their ECRS unattended.
- 1.7. Be sure that any luggage or other objects liable to cause injuries in the event of a collision shall be properly secured.
- 1.8. Be sure that the ECRS shall not be used without the cover.
- 1.9. Be sure that the ECRS cover should not be replaced with any other than the one recommended by the manufacturer, because the cover constitutes an integral part of the restraint performance.
- 1.10. Be referred to the vehicle manufacturer's handbook for the use of an "i-Size Enhanced Child Restraint System".
- 1.11. The child restraint may not fit in all approved vehicles when used in stature range above 135 cm.

## 2. Introduction of child seat



### 3. Installation instructions

ECRS facing	Size range	Installation method	Category
Rearward facing	40-105cm	ISOFIX+support leg+harness system	i-Size
Forward facing	76-105cm	ISOFIX+support leg+harness system	i-Size
Forward facing	100-150cm	ISOFIX+3-point safety belt or 3-point safety belt	i-Size booster seat



0-15 M



AIRBAG













Never use in seating positions where an active frontal airbag installed




WARNING

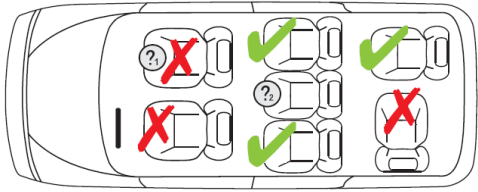
Please do not use forward facing before the child is more than 76cm. Please do not use any load bearing contact points other than those described in the instructions and marked in the child restraint. (Refer to instructions)



Rearward facing:  
Size range 40-105cm



Forward facing:  
Size range 76-150cm



✓ Applicable     ✗ Not Applicable

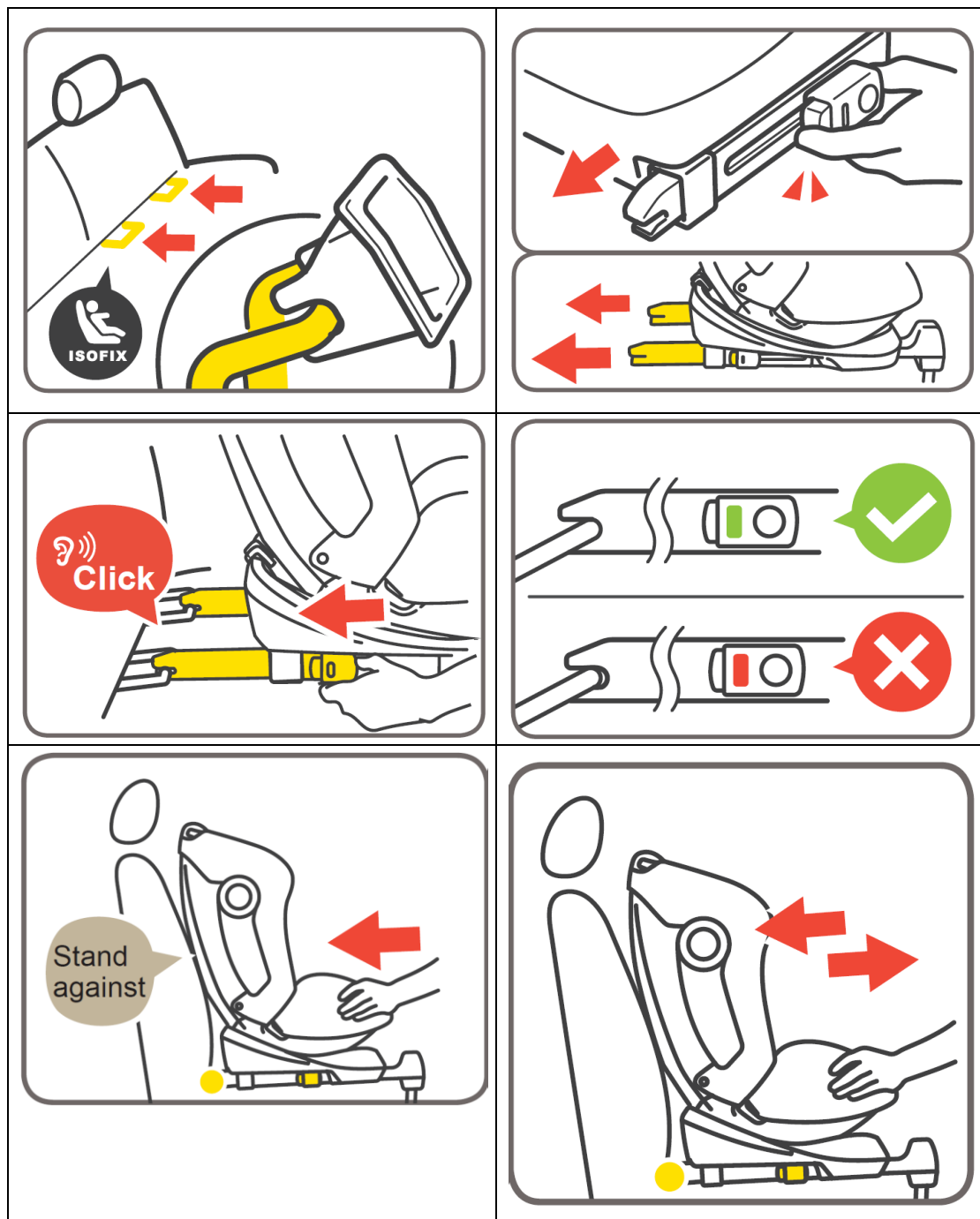
?₁

Can not be used in the passenger seat with the airbag activated.

?₂

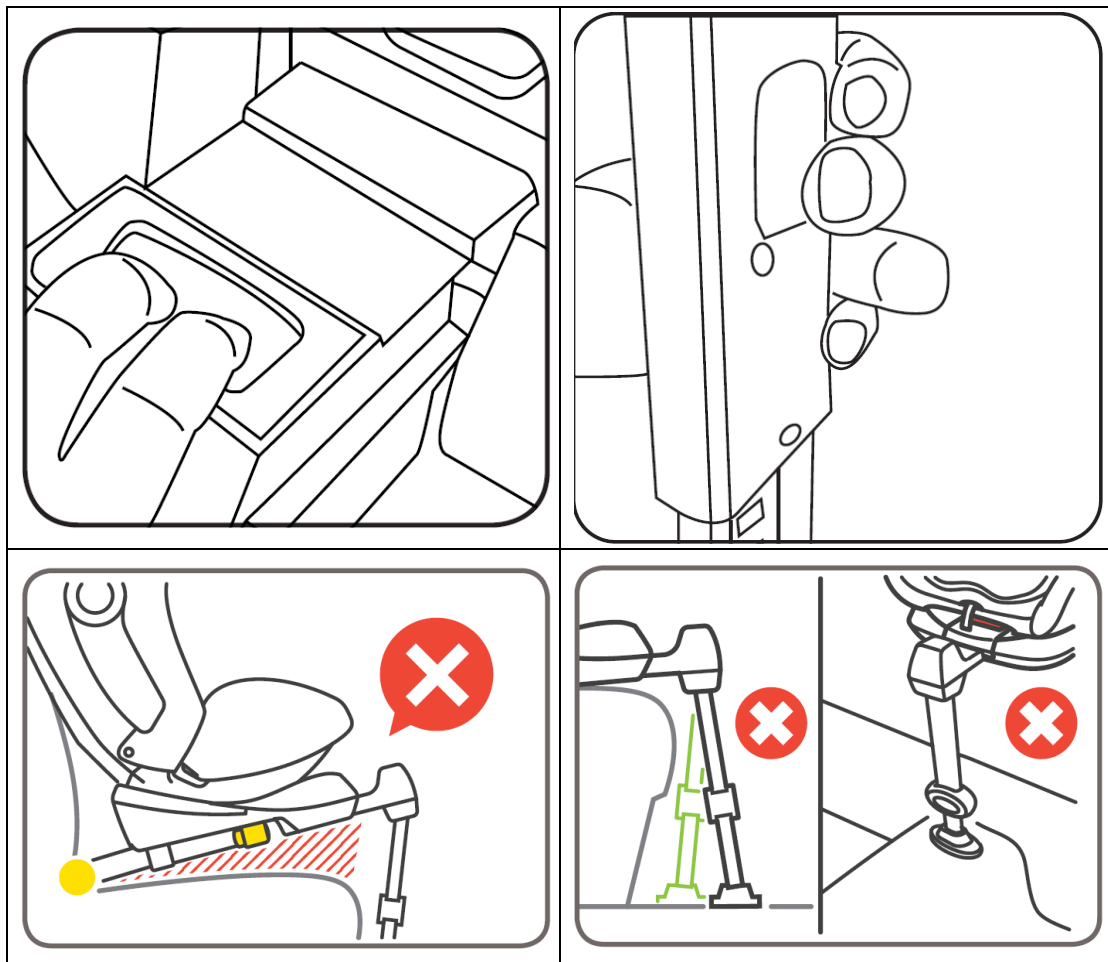
Only suitable for seats with a 3 point safety belt.

#### 4. Use of ISOFIX



- 4.1 Fit the ISOFIX attachment guides with the ISOFIX anchorage points
- 4.2 Press the ISOFIX release button, extend the ISOFIX connectors to the longest position
- 4.3 Connect the ISOFIX connector to the vehicle ISOFIX anchorage points
- 4.4 The ISOFIX indicator windows will be green in case the ISOFIX connected firmly
- 4.5 Push the backrest of ECRS to vehicle seat back tightly, make sure the ECRS contact the vehicle seat back firmly
- 4.6 Check by moving ECRS back and forth

## 5. Use of support leg



5.1 Press the support leg extending handle and pull it forward to extend the support leg

5.2 Press the support leg release button to extend the support leg to the position that can reach the vehicle floor. Ensure there is no gap between the bottom of support leg and vehicle floor.

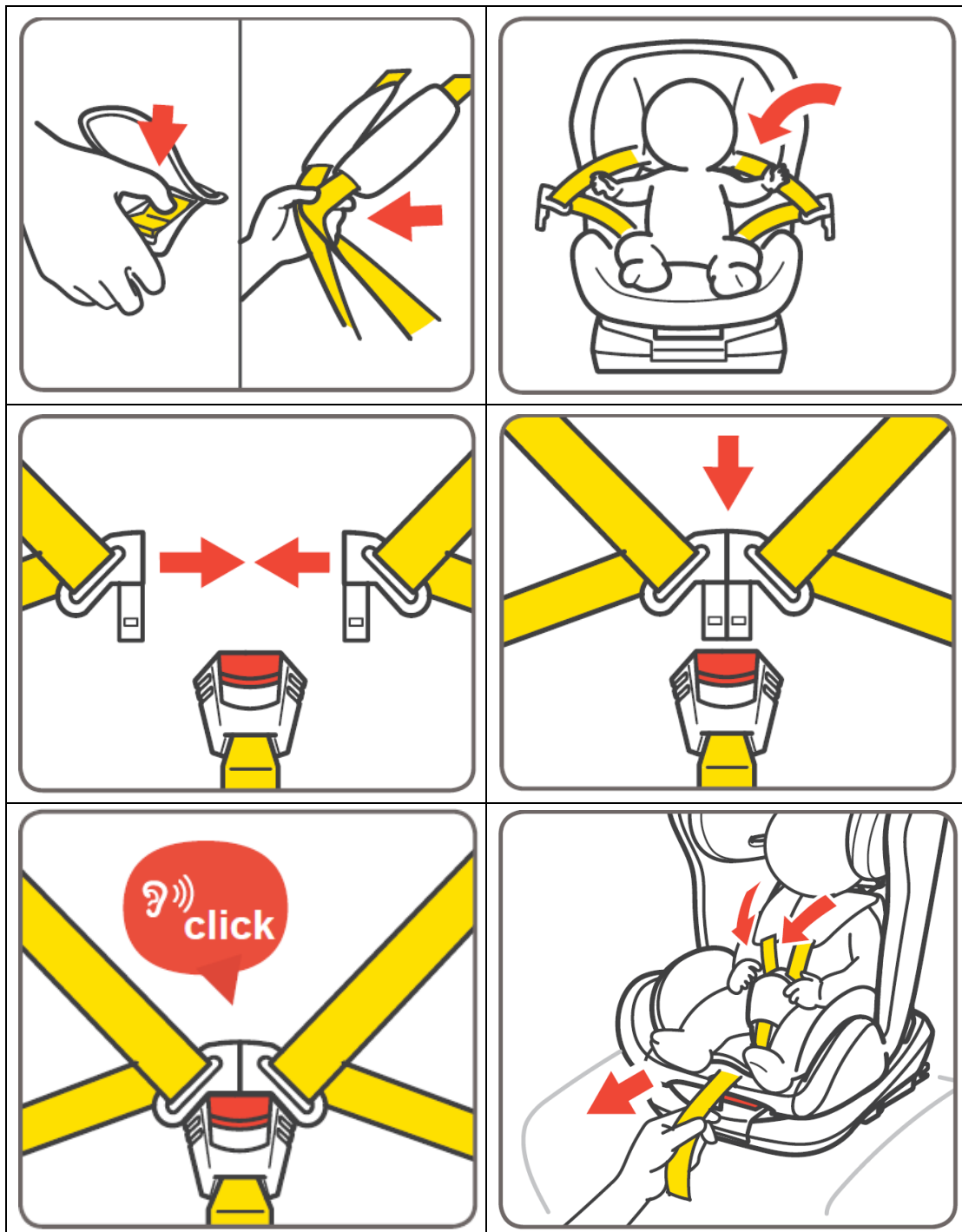
The support leg indicator window will turn to green in case the support leg installed firmly

5.3 Check if the bottom of ECRS fits the vehicle seat, there shall be no gaps between bottom face of ECRS and vehicle seat surface

5.4 The original angle of support leg is 90 degree, any other un-set angle is not suggested.

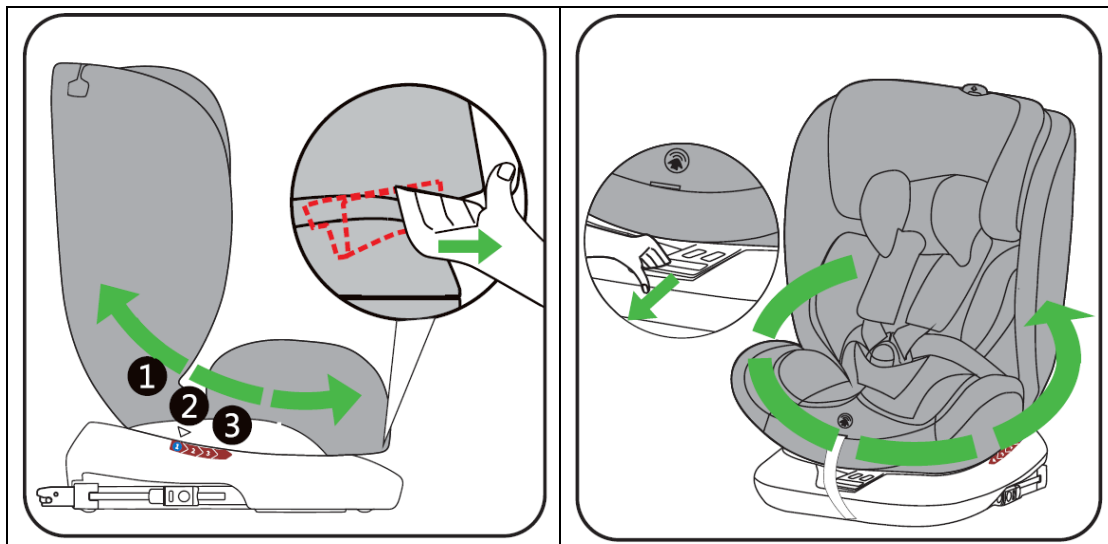
It is forbidden to support on the raised vehicle floor

## 6. Use of 5-point harness system



- 6.1 While pressing the adjusting device, pull the shoulder strap of harness completely
- 6.2 Place your child in the ECRS
- 6.3 Combined the left and right tongues
- 6.4 Engage to the buckle as picture showed
- 6.5 Make sure the buckle is properly engaged
- 6.6 Pull the adjusting device strap to the right tightness. Make sure the space between your child and the shoulder strap of harness is about two fingers

## 7. Adjustment of facing direction and the backrest angle



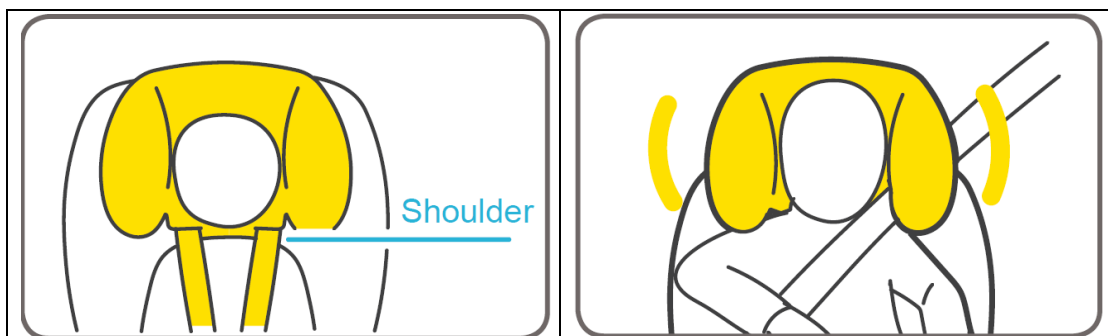
7.1 The ECRS can be adjusted 3 positions (position 1 to 3) in the forward-facing status by keep pressing the recline adjusting handle under the child seat base when the ECRS is used as integral category (76-105cm);

The ECRS only can be used in position 1 when it is used as non-integral category (100-150cm).

There is only one “R” position when the ECRS used in rearward facing status (40-105cm).

7.2 The ECRS can be rotated by keep pressing the rotation adjusting handle

## 8. Adjustment of headrest

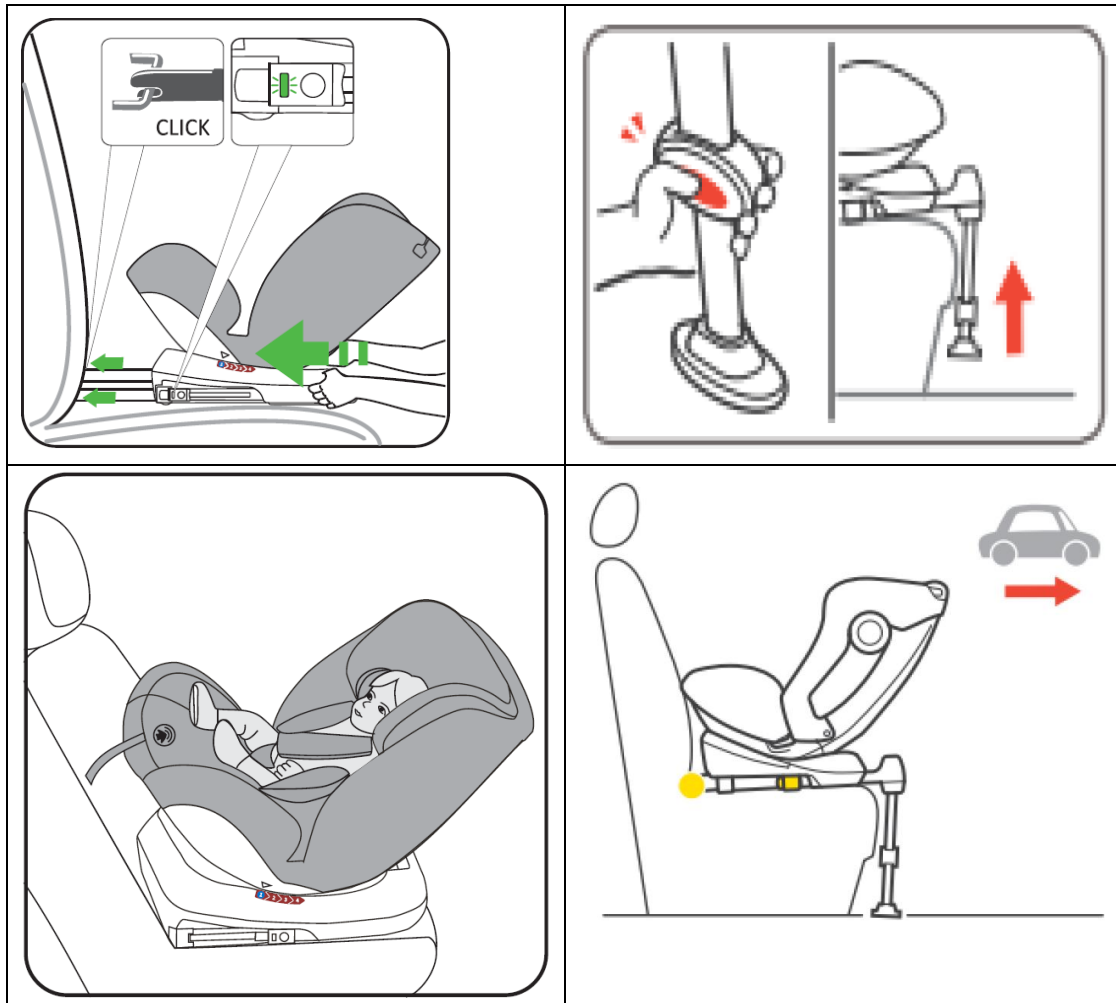


8.1 When the ECRS is used as integral category, you can adjust the headrest by keep pressing the headrest adjust handle and pull up or push down in the meantime. The shoulder strap shall be even or a little higher than child's shoulder

8.2 When the ECRS is used as not-integral category, you can adjust the headrest by keep pressing the headrest adjust handle and pull up or push down in the meantime. The shoulder belt guide shall be a little higher than child's shoulder

## 9. Installation method for child's height range 40-105cm, rearward facing

Installed by: 5-point harness system + ISOFIX + support leg



9.1 Adjust the ECRS to the rearward facing status and adjust the backrest angle to the R position, following the procedure described in item 7 mentioned above

9.2 Install the ISOFIX following the procedure described in item 4 mentioned above

9.3 Adjust the support leg to the proper position following the procedure described in item 5 mentioned above

9.4 Secure your child by the 5-point harness system, following the procedure described in item 6 mentioned above

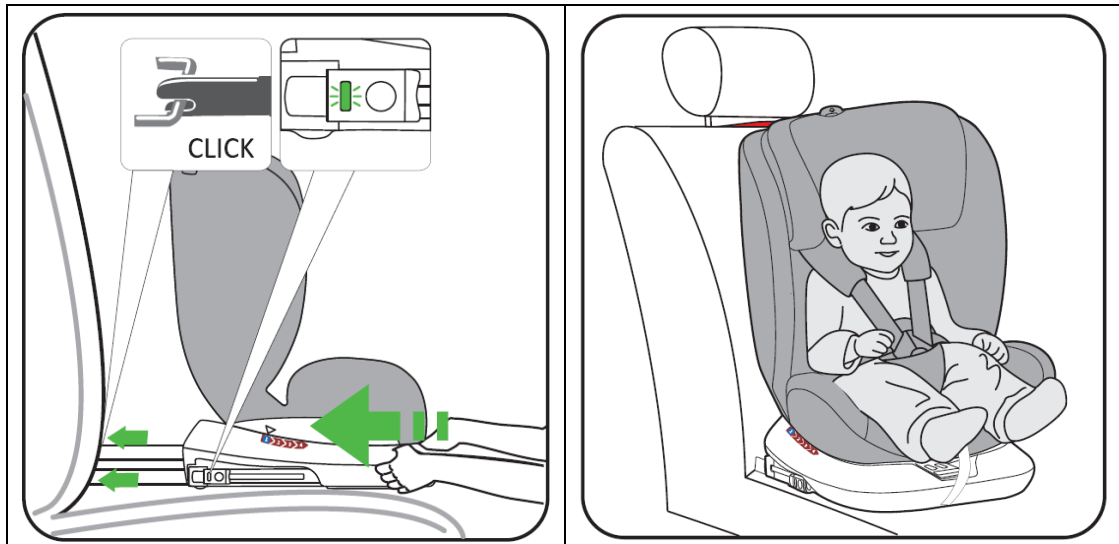
9.5 Adjust the headrest to the proper position, following the procedure described in item 8 mentioned above

Remark: The small baby insert cushion is used only when the child's height is less than 87cm



## 10. Installation method for child's height range 76-105cm, forward facing

Installed by: 5-point harness system + ISOFIX + support leg

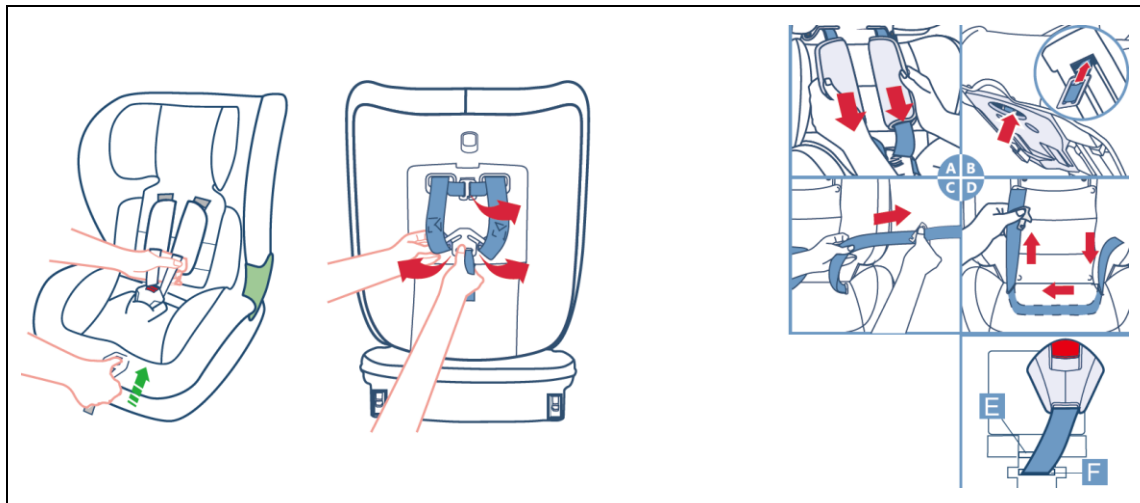


10.1 Adjust the ECRS to the forward-facing status and adjust the backrest angle to the one of three positions you need, following the procedure described in item 7 mentioned above

10.2 Install the ISOFIX, support leg, secure your child and adjust the headrest following the procedure described in item 9.2 to 9.5 mentioned above

## 11. Installation method for child's height range 100-150cm, forward facing

11.1 Removal of 5-point harness system

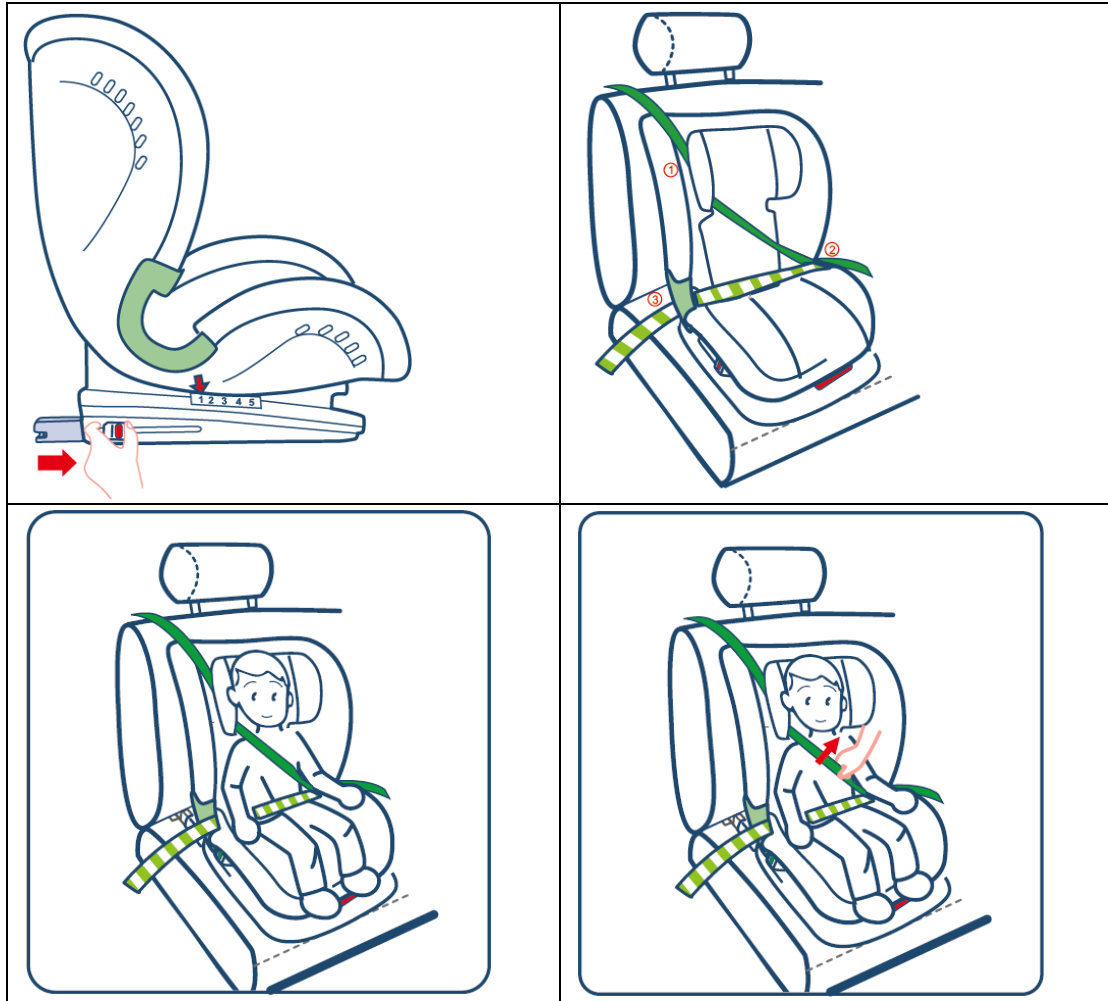


11.1.1 Loosen the 5-point harness system by pressing the adjusting device and pull the shoulder strap forward

11.1.2 Remove the shoulder straps and pads from the metal yokes at the back of ECRS

11.1.3 Pull the shoulder straps and pads out of the slots (Figure A & B), remove the tongue from the strap and thread the strap (Figure C & D), then remove the buckle (Figure E & F)

### 11.2 Method 1: Installed by 3-point safety belt



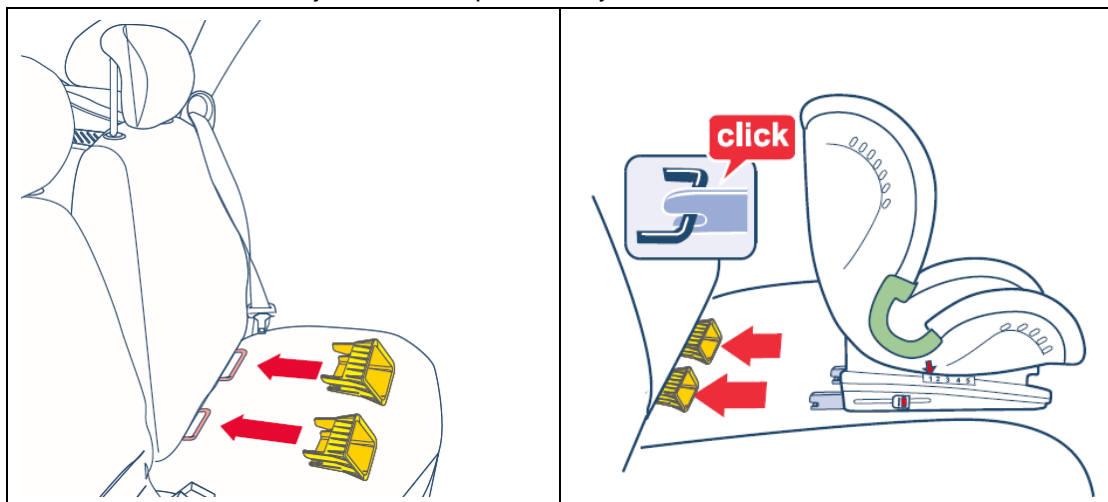
11.2.1 Hide the ISOFIX in the ECRS' base

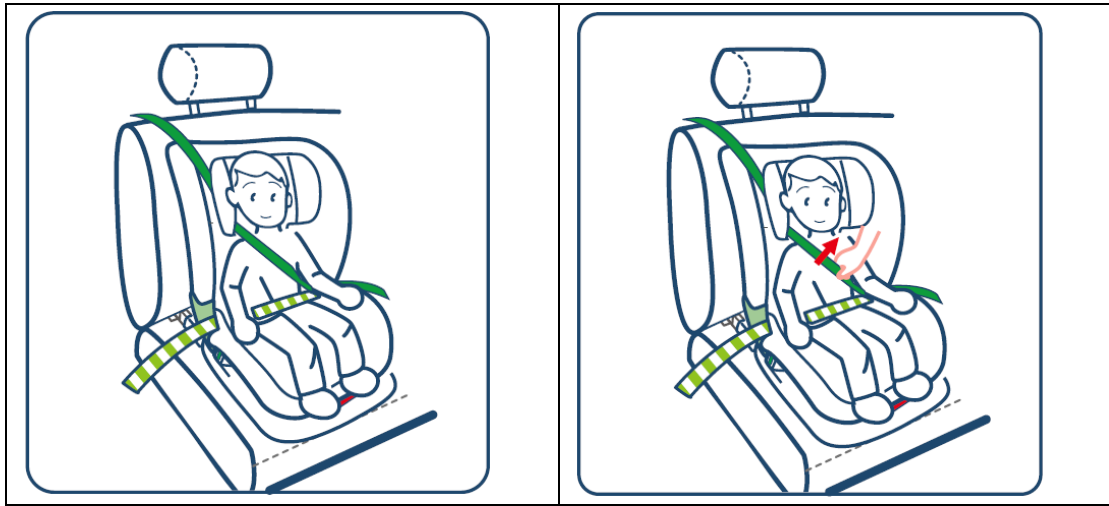
11.2.2 Follow the routine to install the ECRS

11.2.3 Put your child into the ECRS and follow routine. Adjust the headrest to the proper position, following the procedure described in item 8 mentioned above

11.2.4 Fasten the vehicle buckle and make sure the 3-point safety belt is tight enough

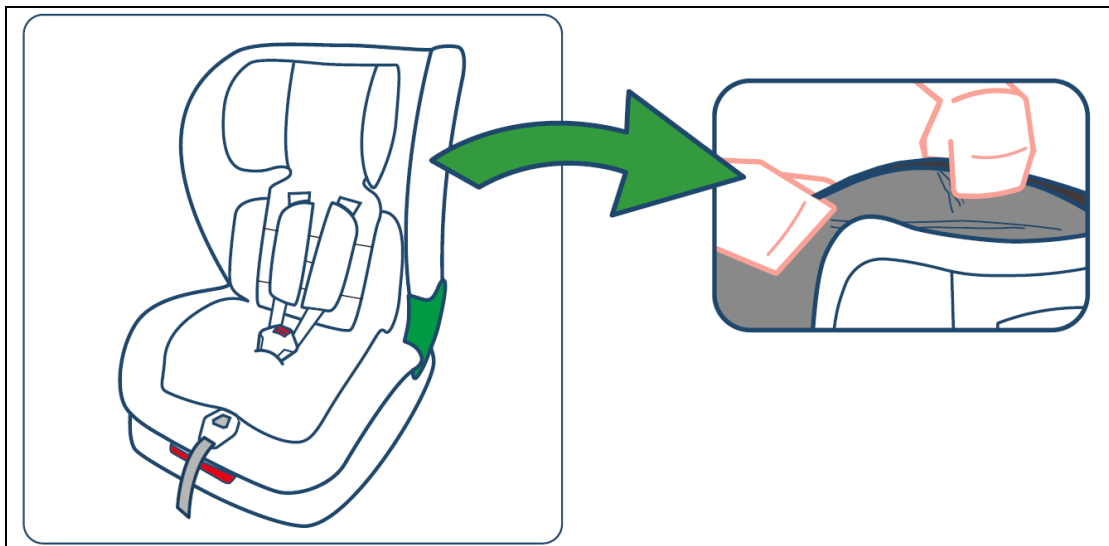
### 11.3 Method 2: Installed by ISOFIX + 3-point safety belt





- 11.3.1 Install the ISOFIX following the procedure described in item 4 mentioned above
- 11.3.2 Secure your child with 3-point safety belt following the procedure described in item 11.2.2 to 11.2.4 mentioned above

**12. Remove the cover**



- 12.1 Adjust the headrest to the highest position, take away the small baby insert cushion
- 12.2 Remove the 5-point harness system following the procedure described in item 11.1 mentioned above
- 12.3 Remove the headrest and child seat cover carefully

**13. Care and maintenance**



- 13.1 The covers and shoulder pads can be removed for washing under 30°C water
- 13.2 Clean the buckle and shell by a damp cloth