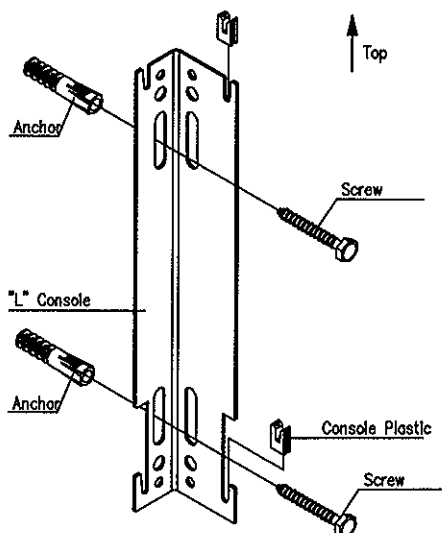


# MOUNTING INSTRUCTIONS

1. Panel radiators can be installed without opening its package, thus it can be kept out of dirt and dust, during mounting.
2. The L-consoles, required for the mounting are placed on the side cartons. Anchorage plastics, screws, air vent plug and end plug are under the right below corner carton of the radiator, in the nylon package.
3. For taking out the mounting accessories, cut out the right side carton approximately 10 cm.
4. Cut the packaging nylon as long as the length of anchorage L-consoles.
5. Take the anchorage L-consoles out and mount to the wall.
6. Hang up the radiator to the wall using its brackets.
7. Cut the packaging nylon as the same diameter of pipe fitting holes. To install the radiator, take out the holes cover on the side cartons.
8. Mount the air vent plug to the above fitting outlet, and the end plug to the below fitting outlet, according to your installation.

NOTE: Don't lift up the radiator by holding from side covers.

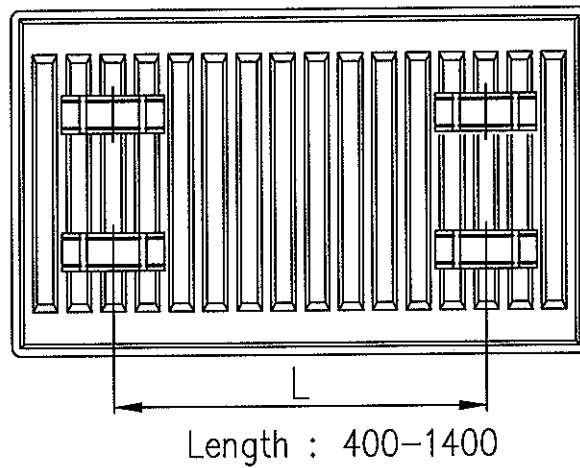
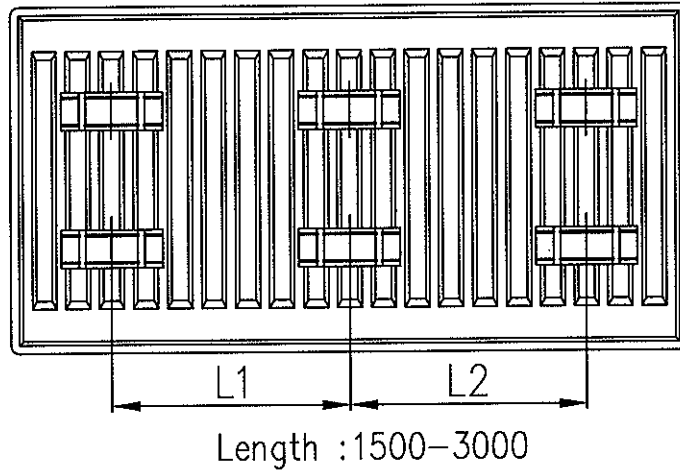
## L-CONSOLE SIZES



Radiator Height	L-Console Length (mm)
300	177
400	177
500	277
600	377
900	677

NOTE: All units are mm.

# DIMENSIONS



RADIATOR LENGTH	400	500	600	700	800	900	1000	1100	1200	1300	1400
L	200	300	400	500	600	700	800	900	1000	1100	1200

RADIATOR LENGTH	1500	1600	1700	1800	1900	2000	2100	2200	2300	2400	2500
L1	666.5	700	766.5	800	866.5	900	966.5	1000	1066.5	1100	666.5
L2	633.5	700	733.5	800	833.5	900	933.5	1000	1033.5	1100	1133.5

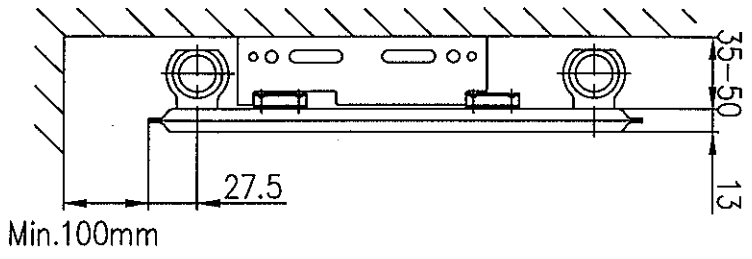
RADIATOR LENGTH	2600	2700	2800	2900	3000
L1	1200	1266.5	1300	1366.5	1400
L2	1200	1233.5	1300	1333.5	1400

RADIATOR TYPES :  
10 , 11 , 21 , 22 , 33

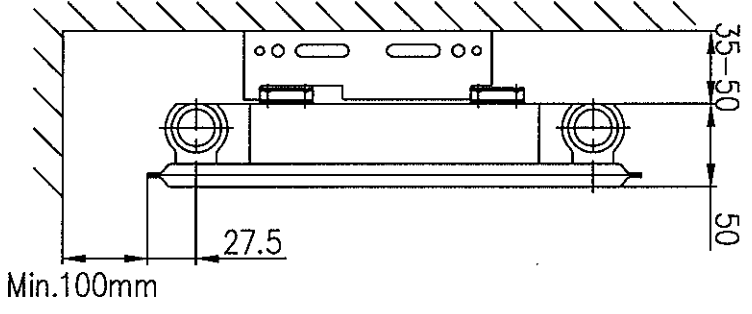
NOTE: All units are mm.

# TYPES

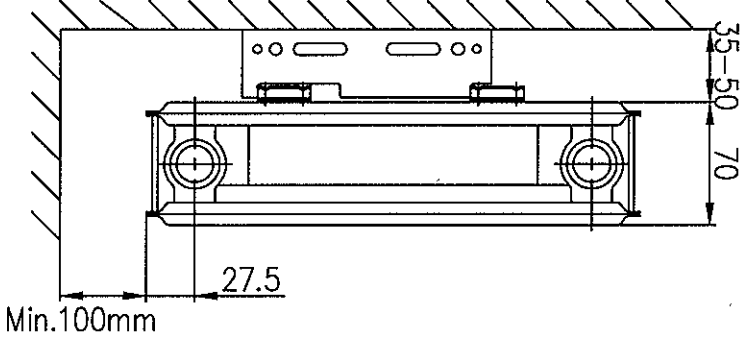
Type-10



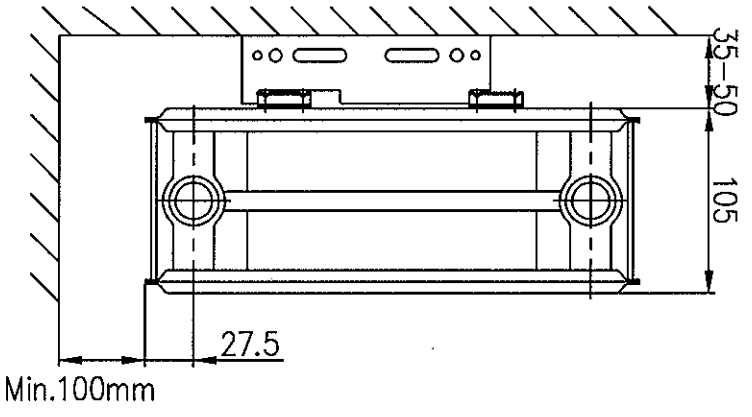
Type-11



Type-21



Type-22



Type-33

