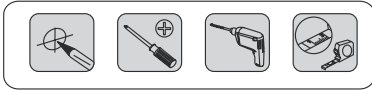


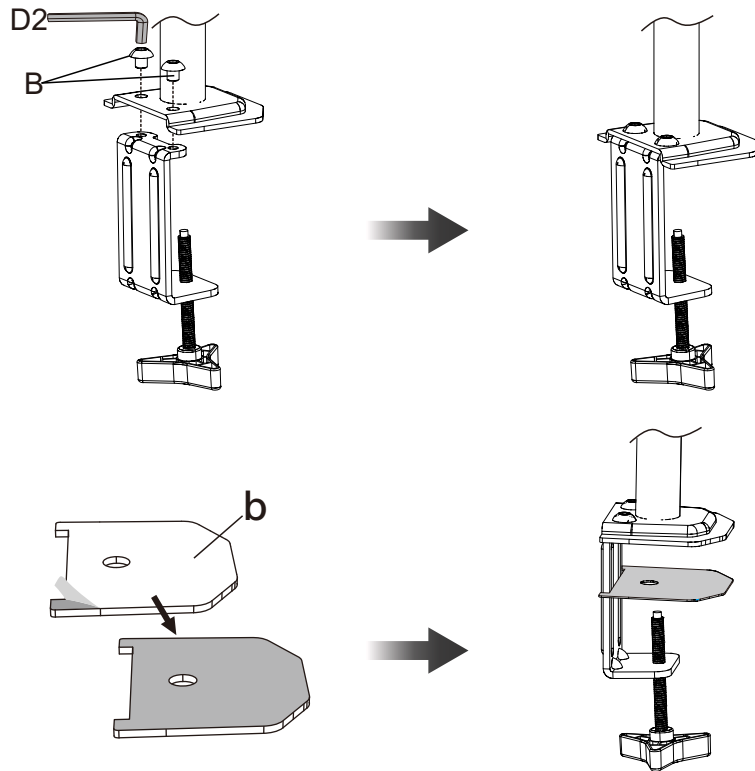
- M4x12MM A(4PCS)
- M8x8mm B(2PCS)
- C(1PC)
- M6x16MM D1(1PC)
- allen wrench 5x5 D2(1PC)

- a(1PC)
- b(1PC)
- c(1PC)

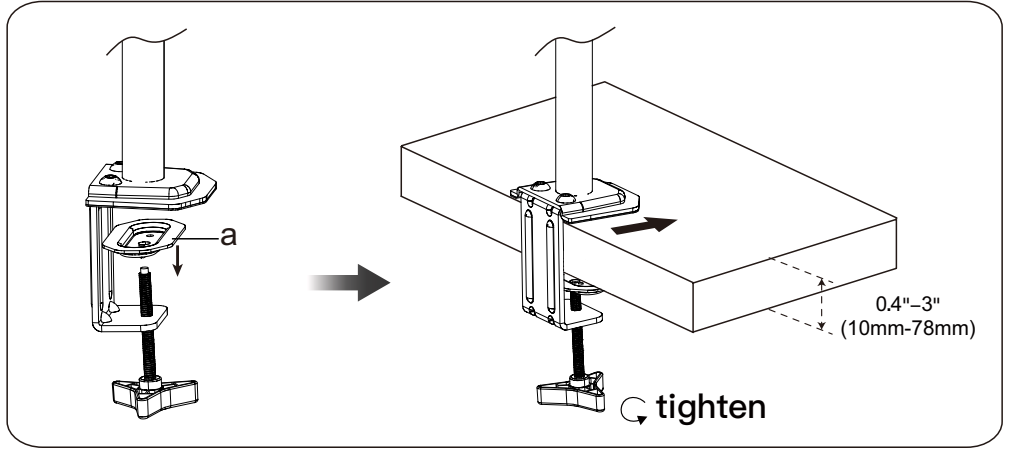
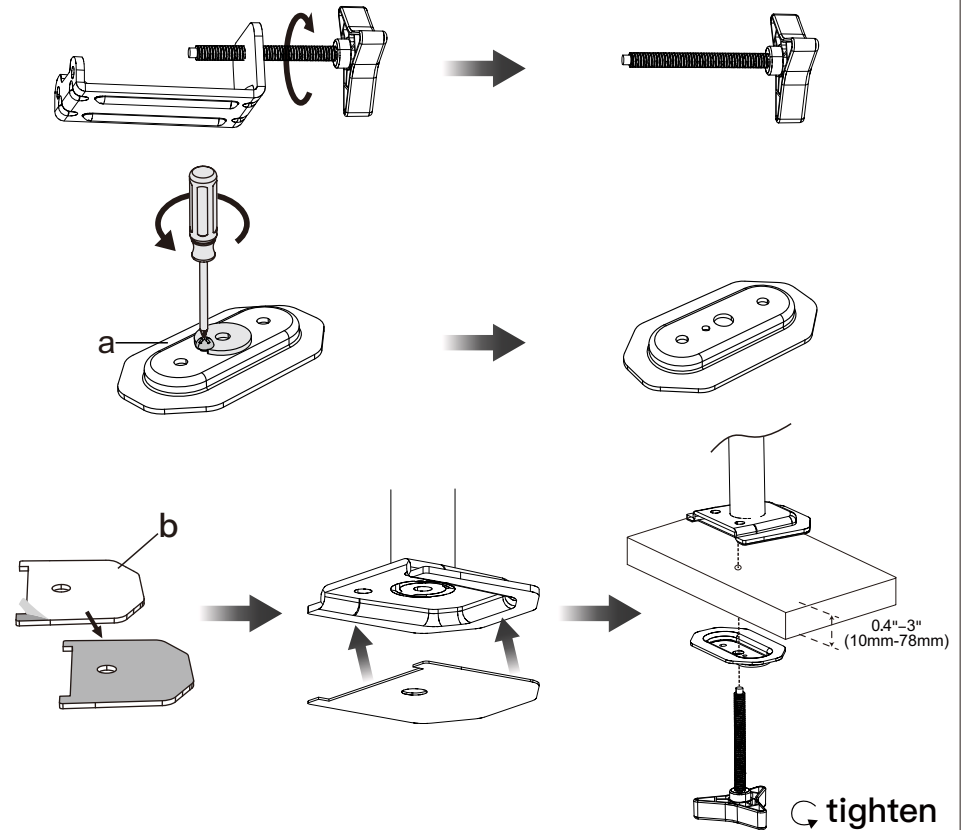


- 100x100
- Max 8KGS
- 13"-32"

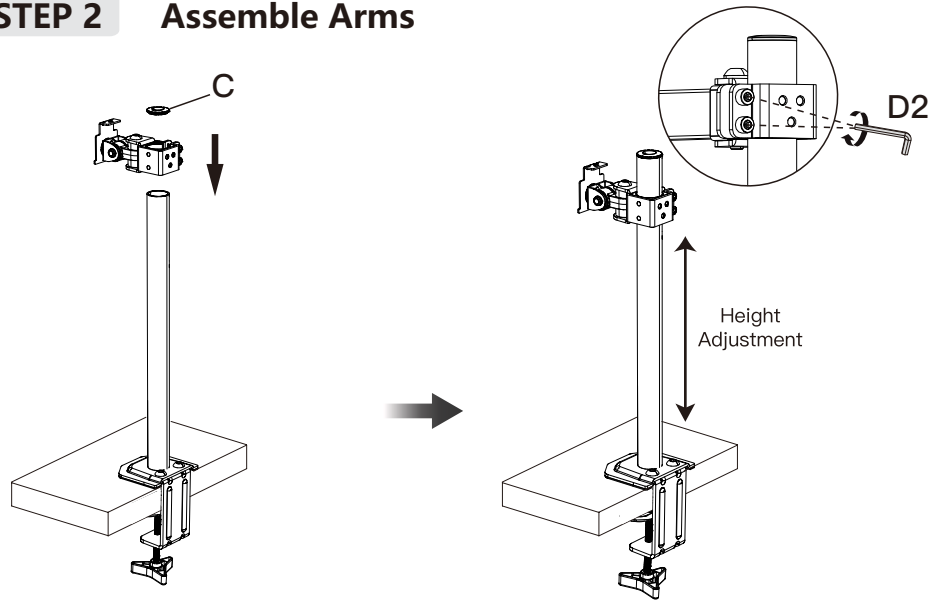
### STEP 1A Install the Base(C Clamp Mount)



### STEP 1B Install the Base(Grommet Mount)



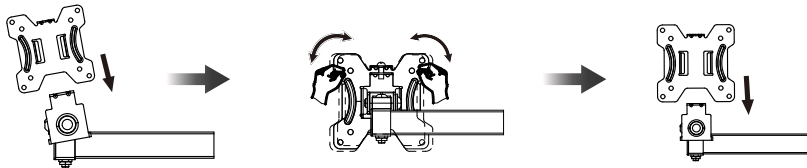
## STEP 2 Assemble Arms



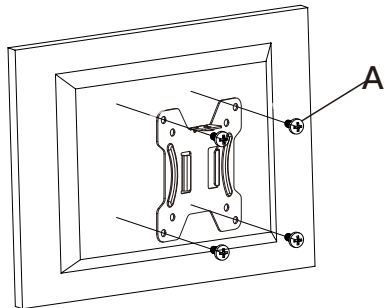
### Case: If the head is not straight.



Solution



## STEP 3 Attach VESA Plates to the Back of Monitors



## STEP 4 Hang the Monitor to the Mount

