

Art.-Nr.: 2605N1

Satin effect Plug-in Light

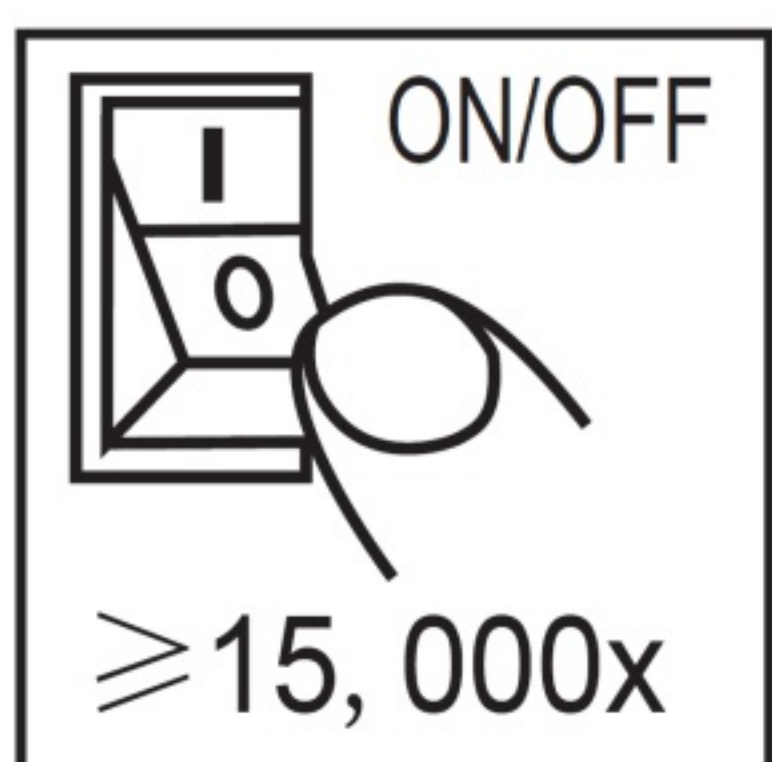
Input 230V~50Hz

LED/3000K/450LM/Ra>80

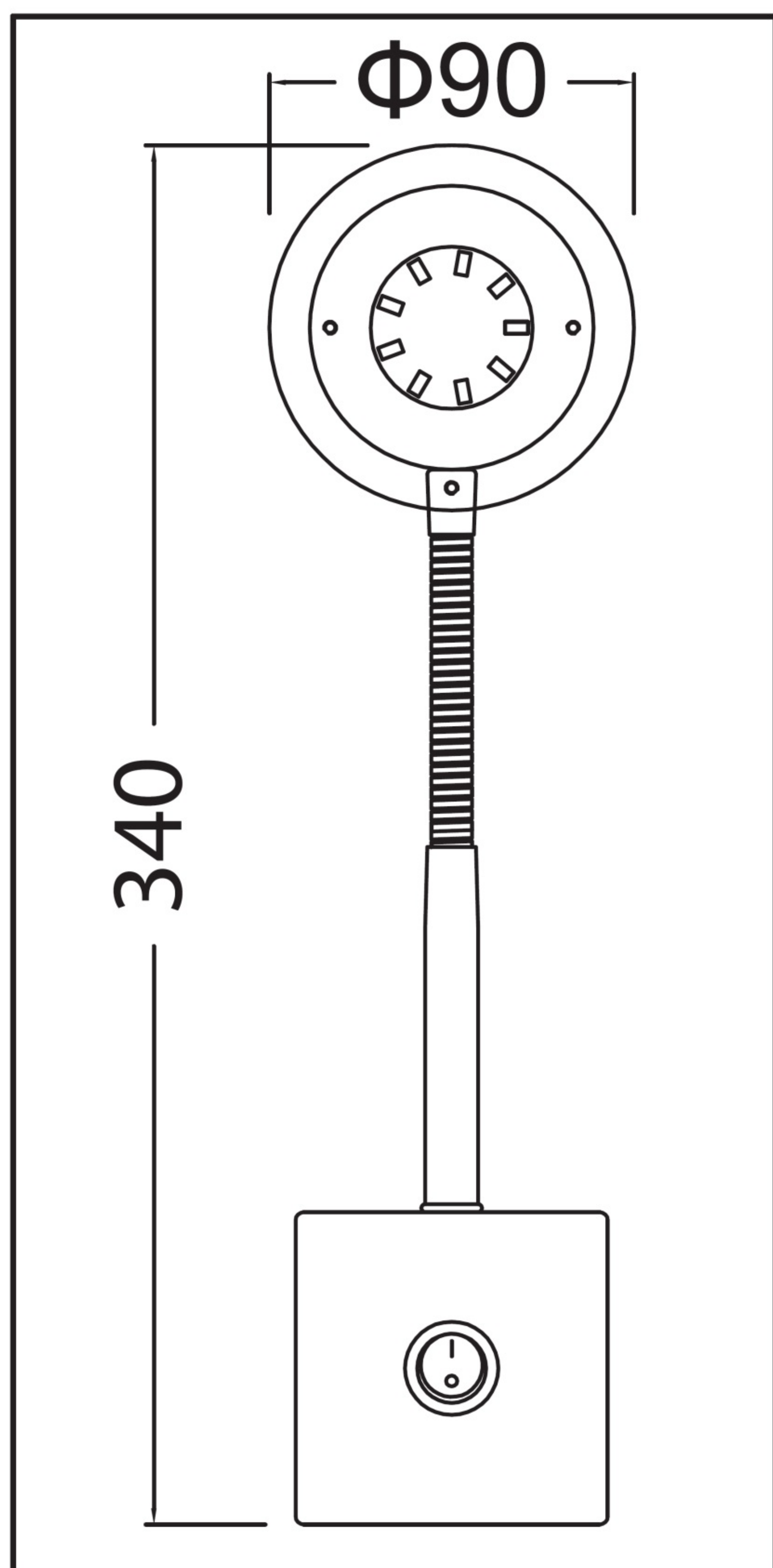
max. 5.0W



Start time
<0.5s
100% brightness

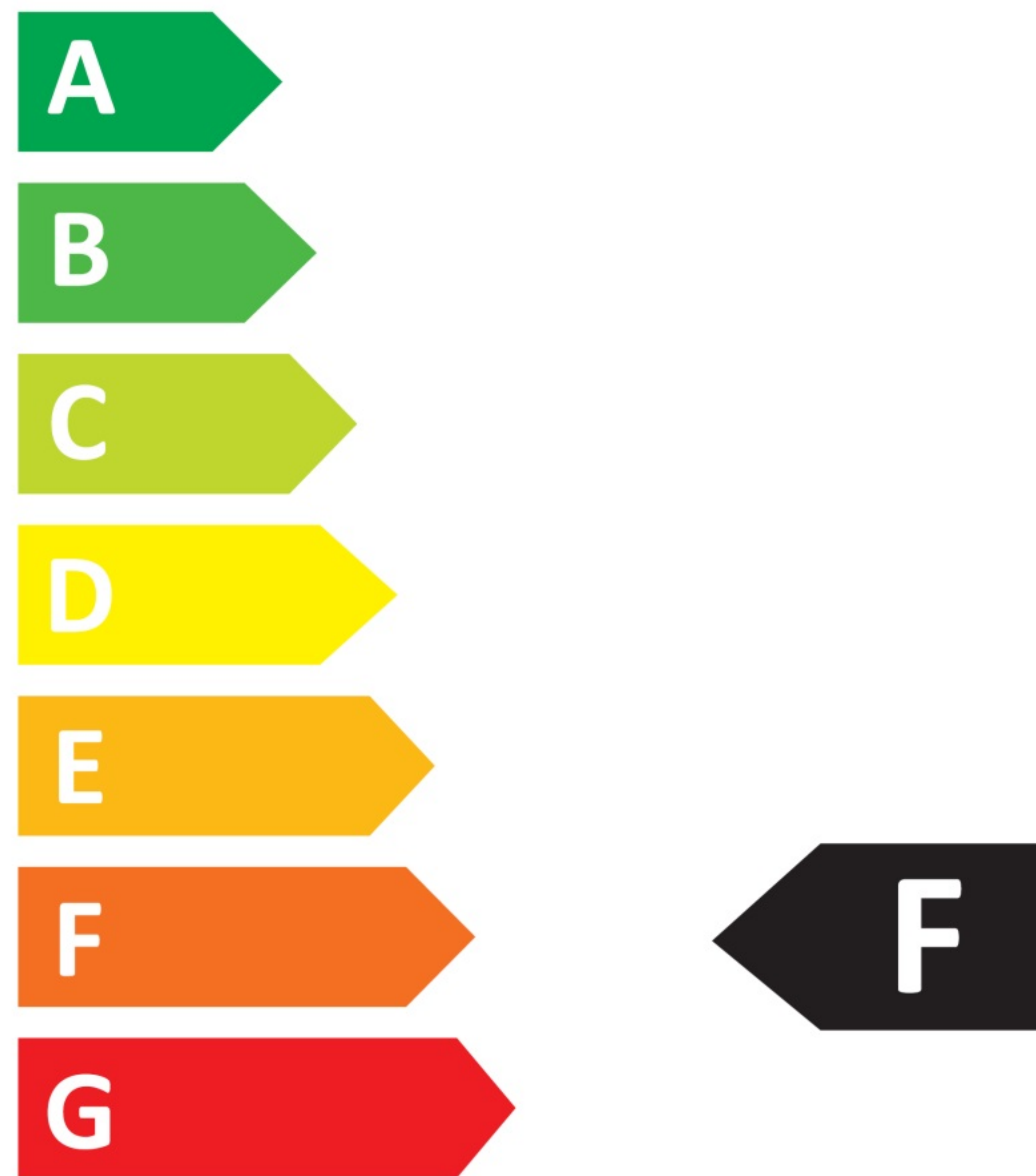


Life time
≥20.000h



Trango

2605N



5
kWh/1000h



2019/2015

Trango GmbH
Jakobsberg 1
D-59929 Brilon
www.trango.de

