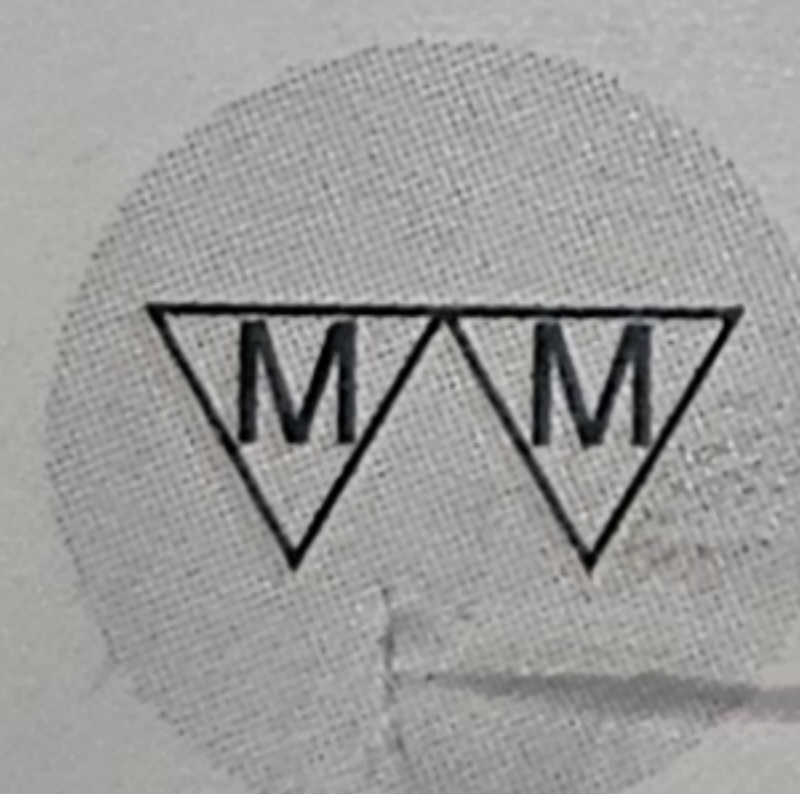
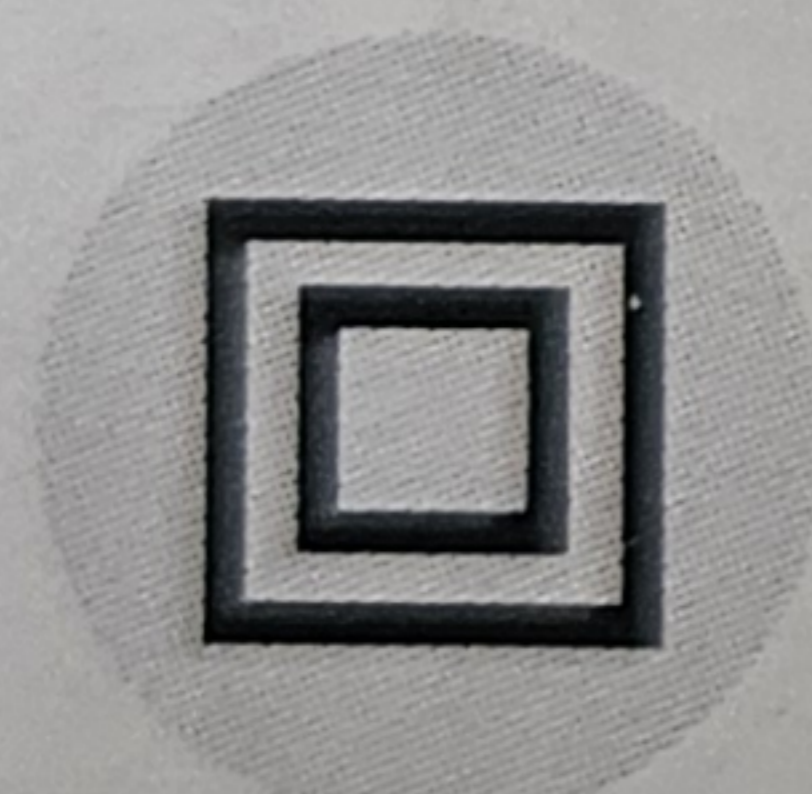


only with additional accessoires



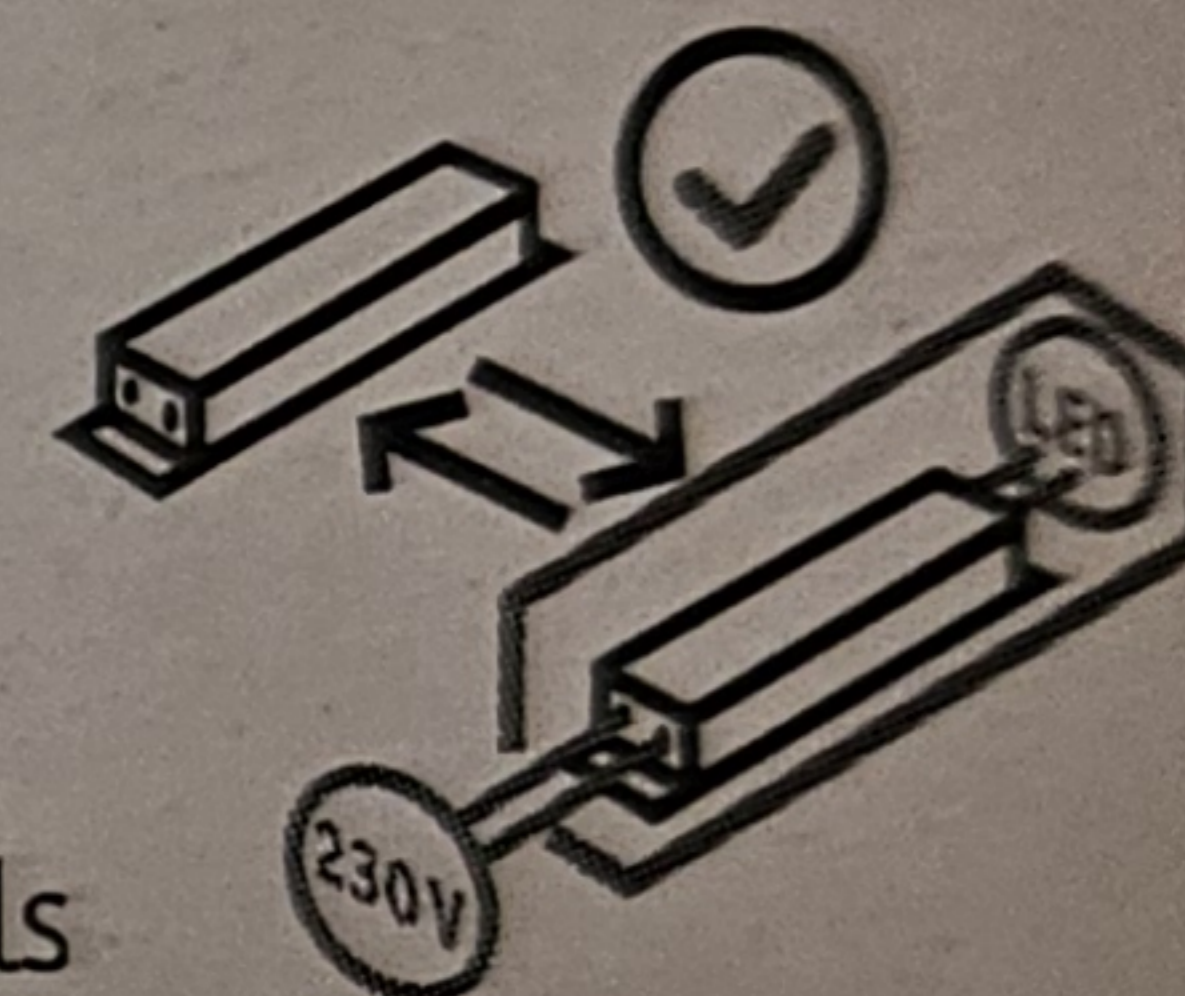
706.72



4 000870 706725 >



[www.paulmann.com/symbols](http://www.paulmann.com/symbols)



Paulmann Licht GmbH | Quezinger Feld 2  
 31832 Springe / Germany | [www.paulmann.com](http://www.paulmann.com)