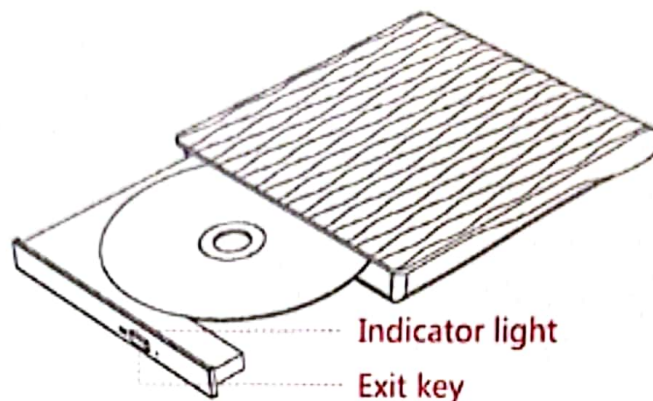


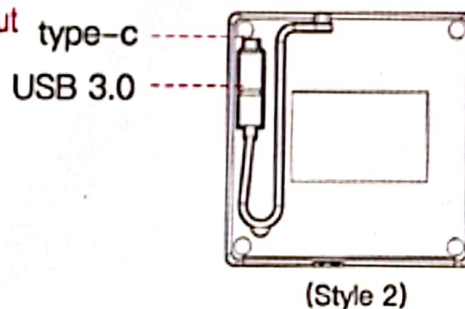
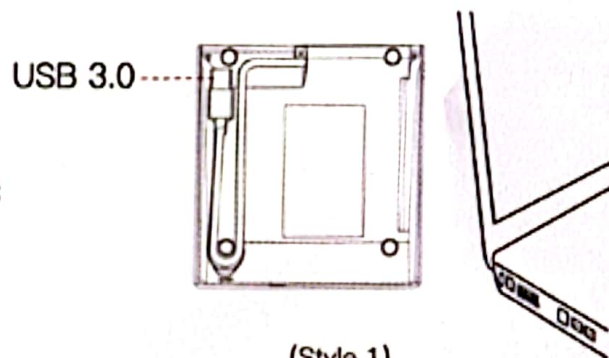
# USB EXTERNAL DVD DRIVE INSTRUCTIONS

EN



## Connecting to your PC / Mac

- Turn on the computer and connect the external DVD drive to the computer with the USB cable.
- During the connection process, the system will automatically detect the drive and an automatic installation prompt will appear in the lower right corner of the computer until the installation is successful, which proves that the external DVD drive and the computer have been successfully connected (the connection process takes about 12 seconds). Click the bezel out button to pop up the CD driver and put it into the CD to use.



## Special notes:

### ■ WIN system usage process:

**1 Connecting procedure:** Connect the data cable to the computer USB and wait for the connection (the connection process takes about 12 seconds. Please do not put the CD inside during the process of connecting, which will affect the reading and connection time of the external DVD drive.)

**2 Operation steps:** You can use the player after the successful connection. (At this time, the external DVD drive symbol will also appear in the computer, then you can press the exit button to pop up and put it into the CD for playing.)

**3 Pop-up steps:** Method 1: The machine can be popped up by pressing the exit button  
Method 2: Right-click the drive symbol and the CD can pop up

## ■ Apple system usage process:

**1 Connecting step:** Connect the data cable to the computer USB and wait for the connection (the connection process takes about 12 seconds. Please do not put the CD during the process of connecting the computer, this will affect the reading and connection time of the external DVD drive.)

**2 Operation steps:** You can use the player after the successful connection. (Apple system is unable to display the external DVD drive symbol. Please do not worry at this time, you can touch the popup button and put into the CD to play. After the play is successfully working, the External DVD drive symbol and content will appear on the computer desktop, and then you can double click to play.)

**3 Pop-up steps:** If you want to quit the CD after playing successfully, It may happen that when you touch the popup button, it will not respond. This is because the Apple system has a function of data protection. You need to enter the computer system to pop up the drive. Here are 4 methods for system popup.

Method 1: right - click external DVD drive symbol, and pop - up the CDs.

Method 2: open the device and click the popup button

Method 3: select the external DVD drive symbol with the shortcut key: COMMAND+E

Method 4: restart the computer. Hold down the left button of the mouse when starting up, and do not let go until the CD pops up

**NOTE:** connect the device directly to the computer's USB port if you connect it to a USB hub or extension dock, the drive or CD/DVD may not be recognized; For desktop computers, please connect the cable on USB port of the desktop to ensure that the power supply is normal; the device does not support TV or tablet

## Small problem solving tips:

**1:** The external DVD drive cannot be played after successfully reading the movie: Please download the local famous player to play the movie. Sometimes the computer's built-in player is missing the decoding pudding.

**2:** The external DVD drive cannot connect to the computer: reconnect the data cable to the external DVD drive interface. Change to another computer USB interface for use, if all of your interface is USB 3.0 , it is possible that the driver of USB3.0 is not installed. Just drive it. If it still doesn't work, restart the computer and reconnect the data cable.

**3:** Unable to burn: blank disc is not allowed to double-click on the computer to open for the first time. Need to use the burning software to record and decode successfully before opening (burning software recommendation: NERO)