

# VEVOR<sup>®</sup>

**TOUGH TOOLS, HALF PRICE**

Technical Support and E-Warranty Certificate [www.vevor.com/support](http://www.vevor.com/support)

## **KIDS TABLES & CHAIRS**

### **USER MANUAL**

**MODEL:TF5601**

We continue to be committed to provide you tools with competitive price.

"Save Half", "Half Price" or any other similar expressions used by us only represents an estimate of savings you might benefit from buying certain tools with us compared to the major top brands and does not necessarily mean to cover all categories of tools offered by us. You are kindly reminded to verify carefully when you are placing an order with us if you are actually saving half in comparison with the top major brands.

#### **Warning:**

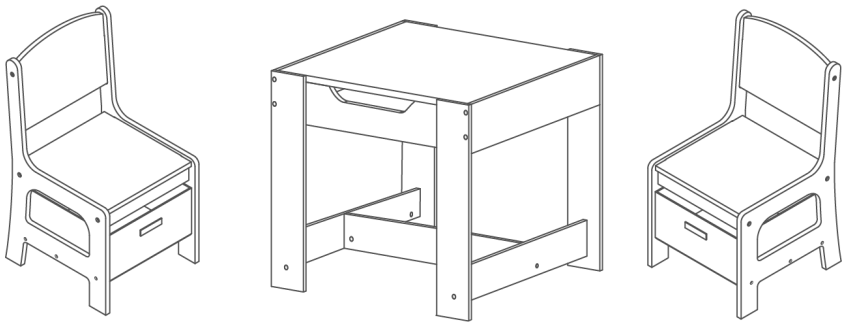
Products must be assembled by adults before being given to children. Products containing small parts, sharp edges and sharp points should be kept away from children during the non-assembly stage.

# VEVOR<sup>®</sup>

TOUGH TOOLS, HALF PRICE

## KIDS TABLES & CHAIRS

MODEL:TF5601



### NEED HELP? CONTACT US!

Have product questions? Need technical support? Please feel free to contact us:

**Technical Support and E-Warranty Certificate**  
**[www.vevor.com/support](http://www.vevor.com/support)**

This is the original instruction, please read all manual instructions carefully before operating. VEVOR reserves a clear interpretation of our user manual. The appearance of the product shall be subject to the product you received. Please forgive us that we won't inform you again if there are any technology or software updates on our product.

## **SAFETY INSTRUCTIONS**

### **WARNING:**

**Read this material before using this product. Failure to do so can result in serious injury.**

### **Assembly precautions**



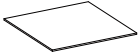

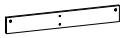


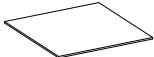


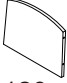

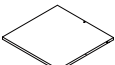



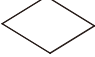


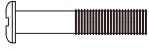





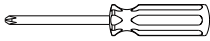
1. Assemble only according to these instructions. Improper assembly can create hazards.
2. Wear ANSI-approved safety goggles and heavy-duty work gloves during assembly.
3. Keep the assembly area clean and well-lit.
4. Keep bystanders out of the area during assembly.
5. Do not assemble when tired or when under the influence of alcohol, drugs or medication.
6. The product capabilities apply to properly and completely assembled products only.
7. Assemble on a flat, level, hard and smooth surface capable of safely supporting the Kids Tables & Chairs.
8. For additional information regarding the parts listed in the following pages, please refer to the Assembly Diagram of this manual. Unwrap and separate all parts in a clean work area.

### **Use precautions**

1. Do not exceed weight capacities.
2. Use only on a flat, level, hard and smooth surface capable of safely supporting fully loaded Kids' Tables & Chairs.
3. Use as intended only.
4. Inspect before every use; do not use if parts are loose or damaged.

**SAVE THIS MANUAL**

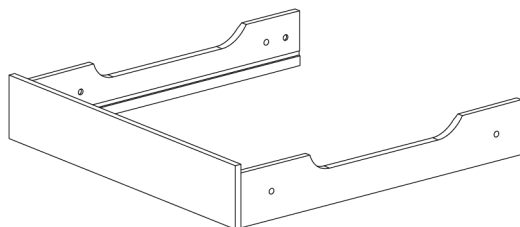
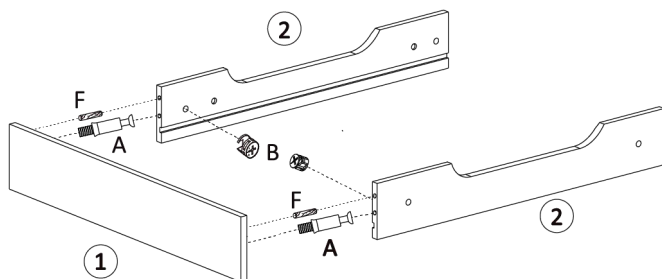
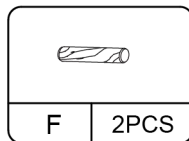
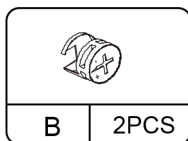
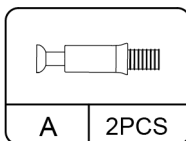
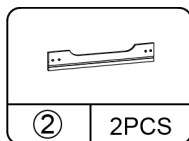
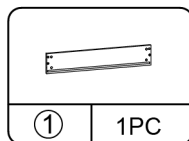
## PARTS LIST

 590x110x12MM ①   2PCS	 590x110x12MM ②   2PCS	 600x575x5MM ③   1PC	 505x80x12MM ④   1PC
 590x80x12MM ⑤   2PCS	 480x100x12MM ⑥   2PCS	 480x100x12MM ⑦   2PCS	 588x588x12MM ⑧   1PC
 530x300x12MM ⑨   2PCS	 530x300x12MM ⑩   2PCS	 260x120x12MM ⑪   2PCS	 270x260x12MM ⑫   2PCS
 260x260x9MM ⑬   2PCS	 260x42x12MM ⑭   4PCS	 260x32x9MM ⑮   2PCS	 260x240x120MM ⑯   2PCS
 250x230x9MM ⑰   2PCS	 Φ6x38MM A   4PCS	 Φ12x10MM B   4PCS	 Φ6x40MM C   26PCS
 Φ10x10MM D   26PCS	 Φ6x16MM E   4PCS	 Φ6x25MM F   26PCS	 Φ5x25MM G   4PCS
 Φ4x25MM H   14PCS	 I   1 PC		

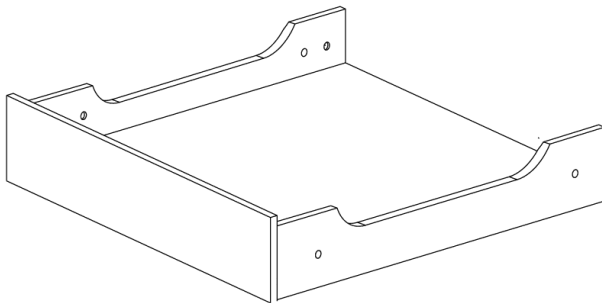
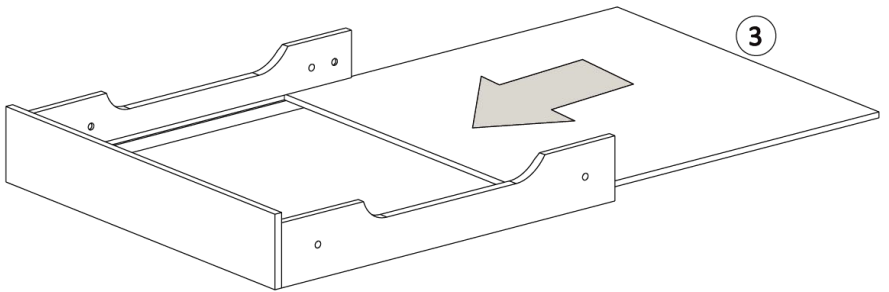
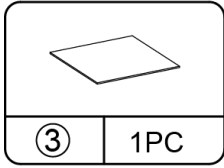
# INSTRUCTIONS

 Check the package contents before getting started !


## STEP 1

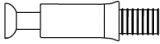



# STEP 2




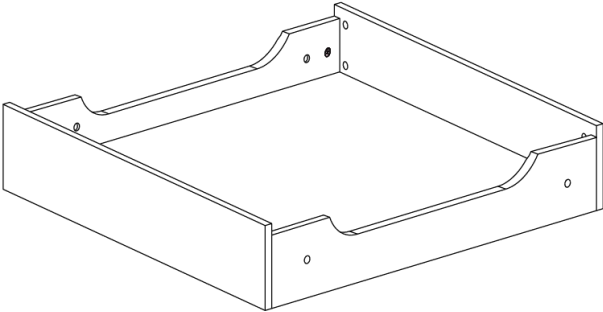
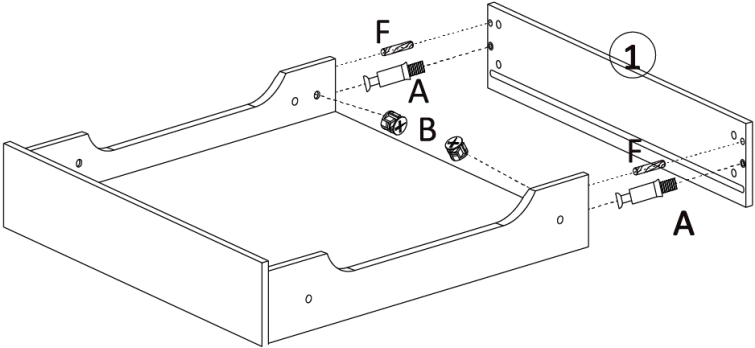
# STEP 3

	
①	1PC

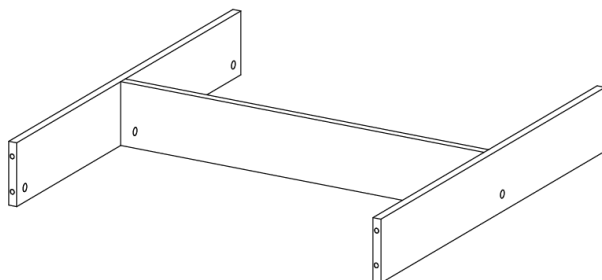
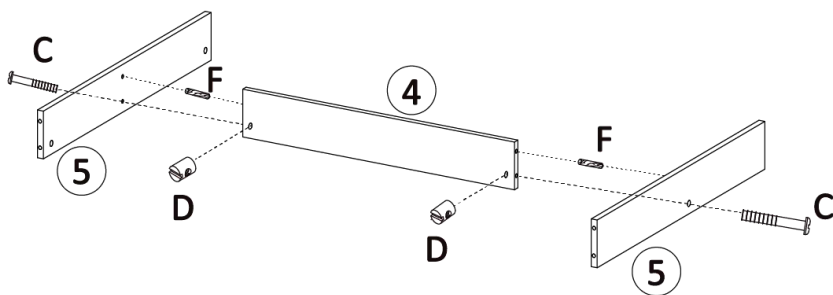
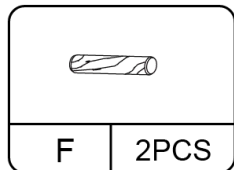
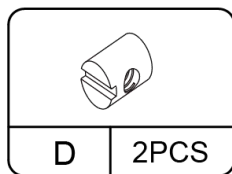
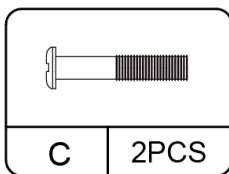
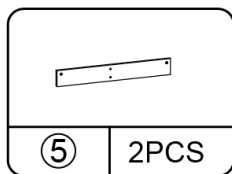
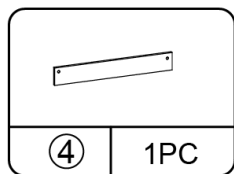
	
A	2PCS

	
B	2PCS

	
F	2PCS

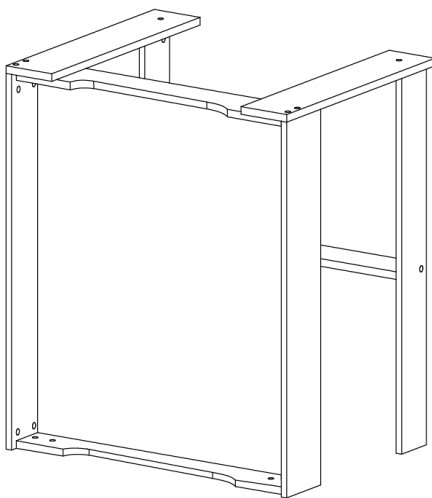
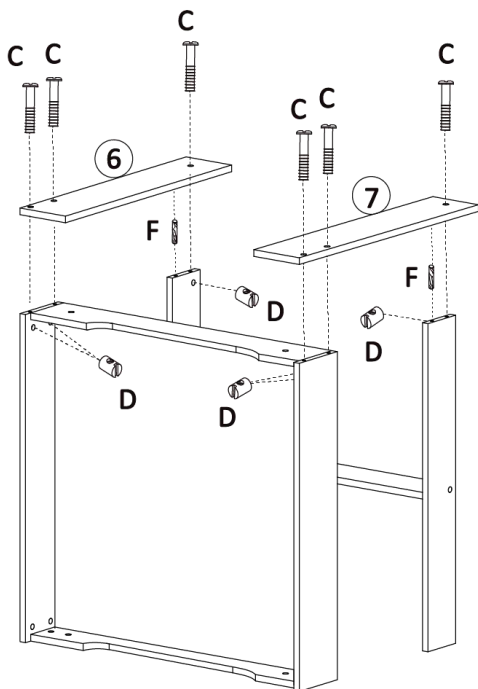
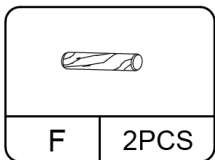
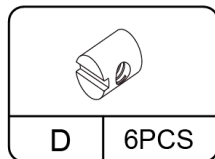
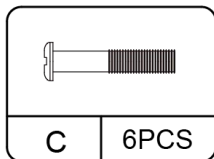
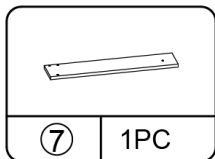
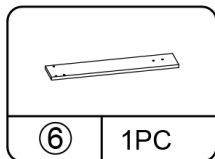


# STEP 4

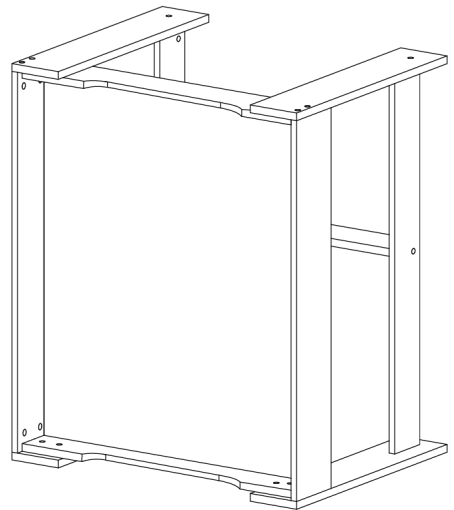
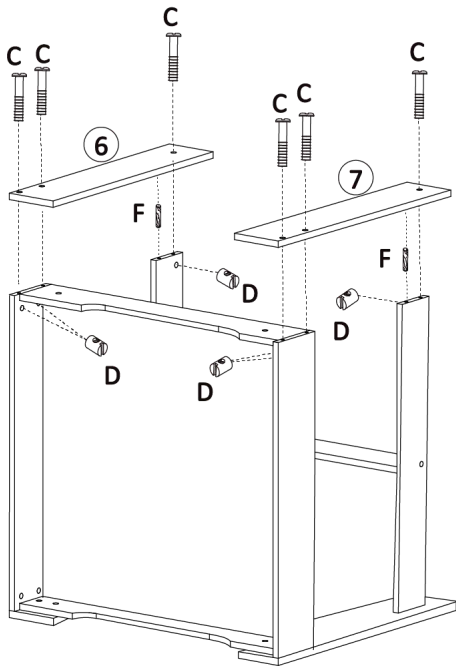
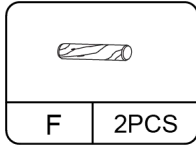
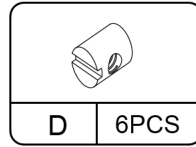
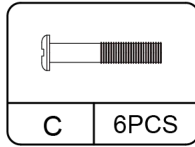
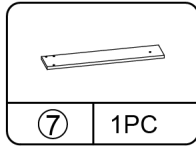
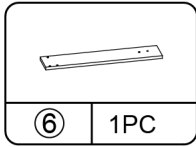




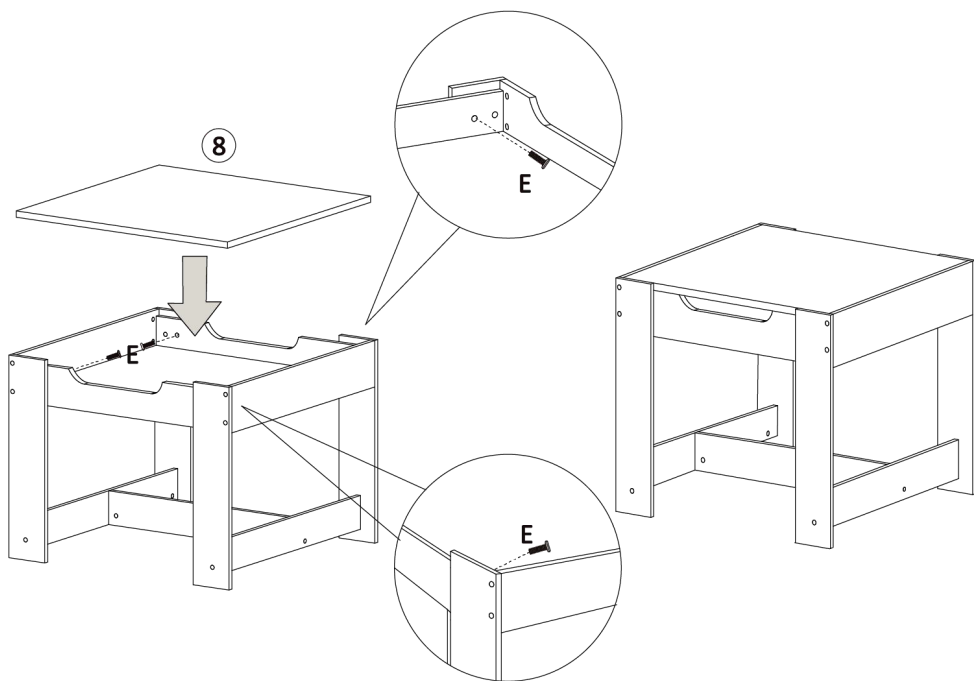
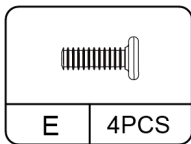
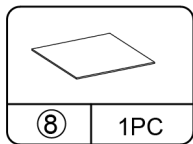
# STEP 5



# STEP 6



# STEP 7



# STEP 8

	⑨	1PC
--	---	-----

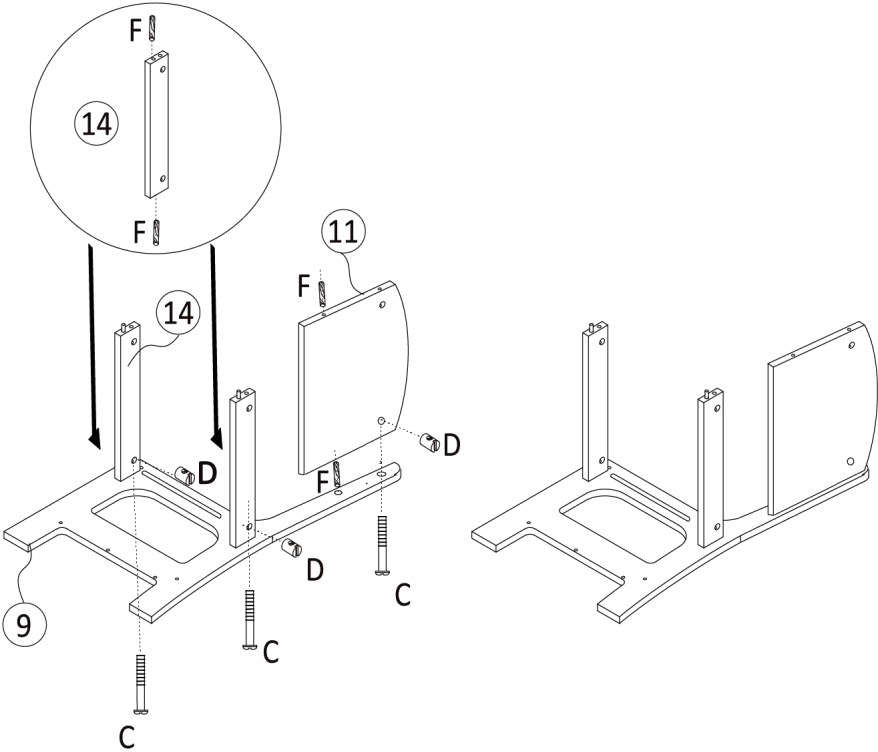
	⑪	1PC
--	---	-----

	⑭	2PCS
--	---	------

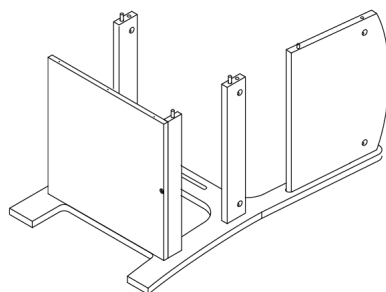
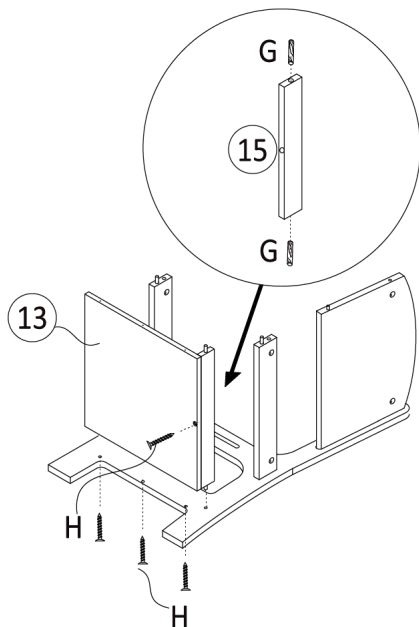
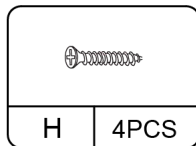
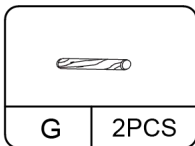
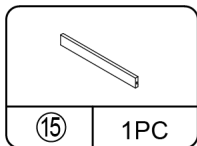
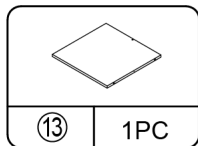
	C	3PCS
--	---	------

	D	3PCS
--	---	------

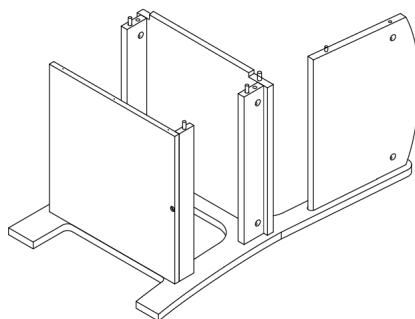
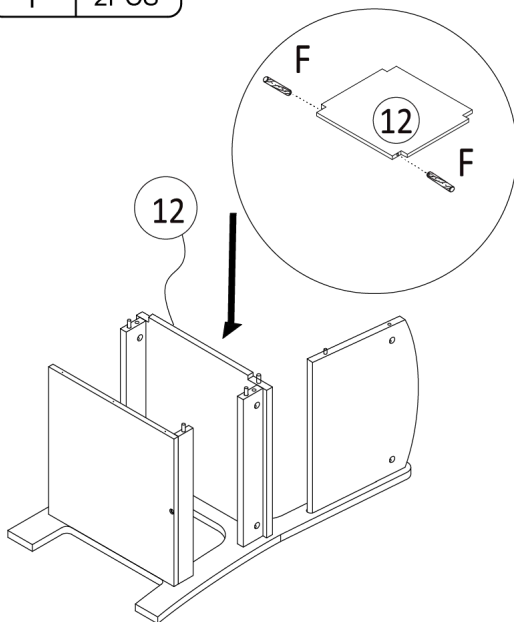
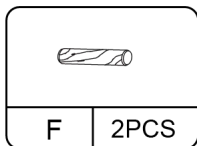
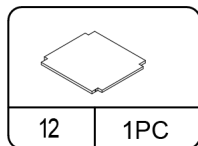
	F	6PCS
--	---	------



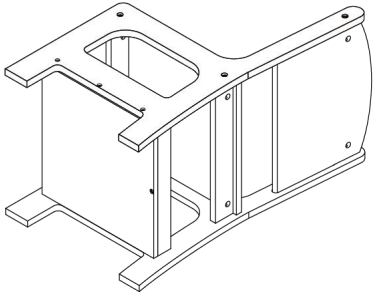
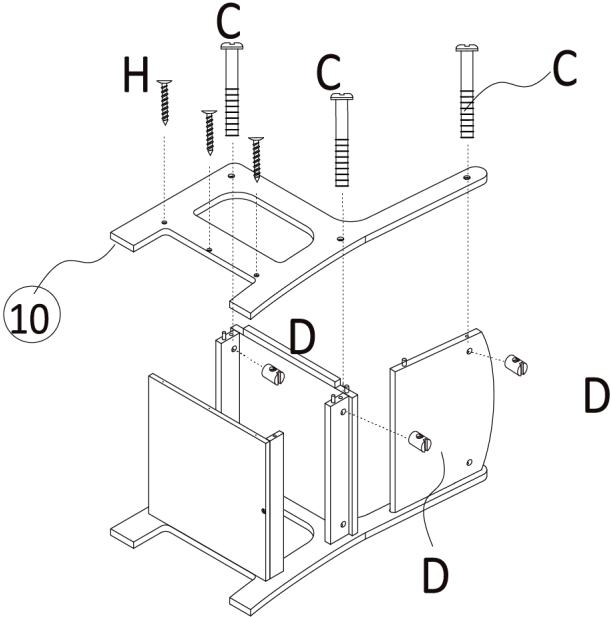
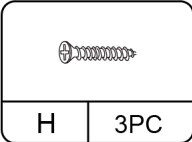
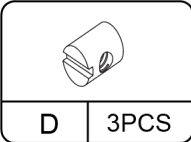
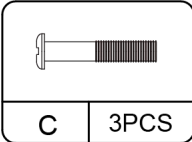
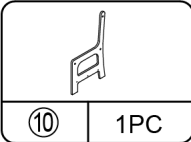
# STEP 9



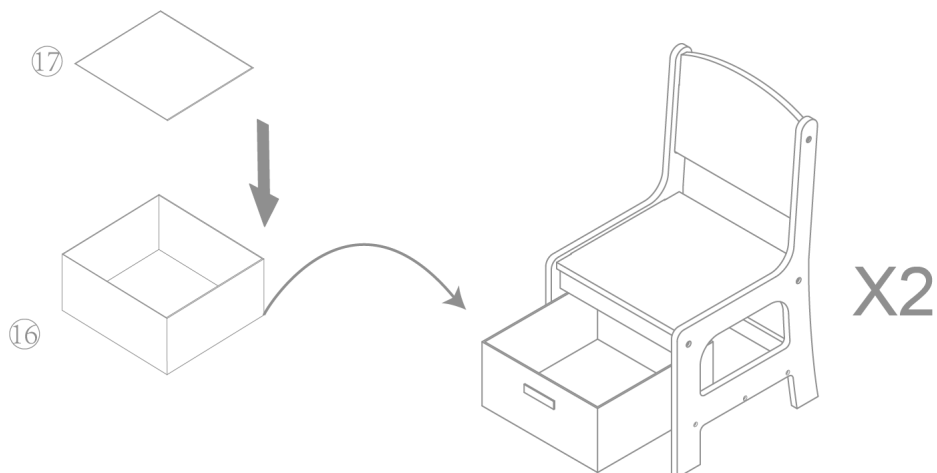
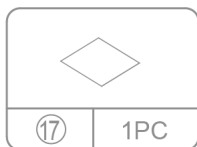
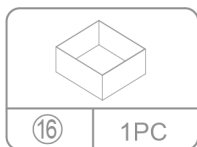
# STEP 10



# STEP 11

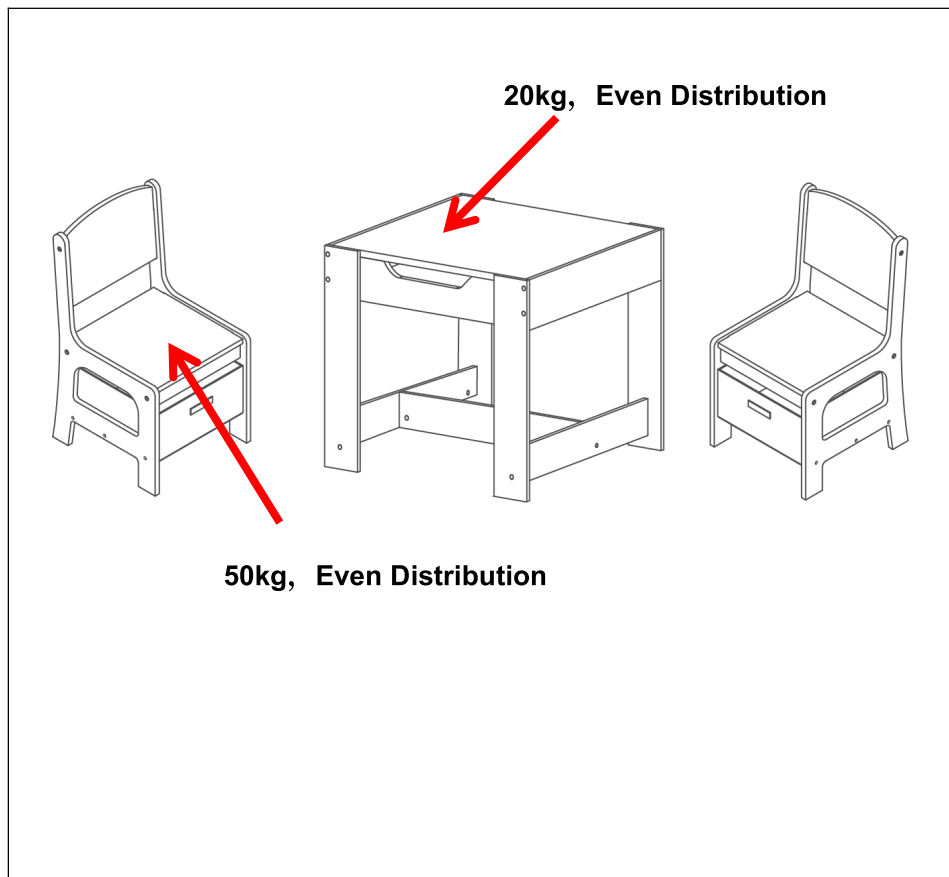


# STEP 12





## COMPLETION



## PRODUCT PARAMETER

Model	TF5601
Safe Loading Weight	Table: 20kg Chair: 50kg
Product Size	Table: 610*610*483mm Chair: 300*290*530mm
Net Weight	17.75 kg

**Address:** Baoshanqu Shuangchenglu 803long 11hao 1602A-1609shi  
Shanghai

**Imported to AUS:** SIHAO PTY LTD, 1 ROKEVA STREETEASTWOOD  
NSW 2122 Australia

**Imported to USA:** Sanven Technology Ltd.Suite 250, 9166 Anaheim Place,  
Rancho Cucamonga, CA 91730

<b>EC</b>	<b>REP</b>	SHUNSHUN GmbH Römeräcker 9 Z2021,76351 Linkenheim-Hochstetten,Germ
-----------	------------	--

<b>UK</b>	<b>REP</b>	Pooledas Group Ltd Unit 5 Albert Edward House, The Pavilions Preston, United Kingdom
-----------	------------	--

**Made In China**



**VEVOR<sup>®</sup>**

**TOUGH TOOLS, HALF PRICE**

**Technical Support and E-Warranty Certificate**

**[www.vevor.com/support](http://www.vevor.com/support)**