

Curtain Motor

ORIGINALITY QUALITY

curtain motor makes you easy life



Smooth
Running



Radio
Control



Manual
Operation



Large Load



Assembled
Fast



High
Technology

FEATURES

Intelligent curtain motor for every common home

Manual Operation: When powered on, the curtain could be pull by hand with 10cm. Then the curtain open or close automatically

Manual operation without power: Without power, the curtain could be controlled by hand

Obstacle stop function: the motor could stop when it meets obstacle ,in order to protect the system

Automatical position: motor could remember the close and open position, users do not need to reset.

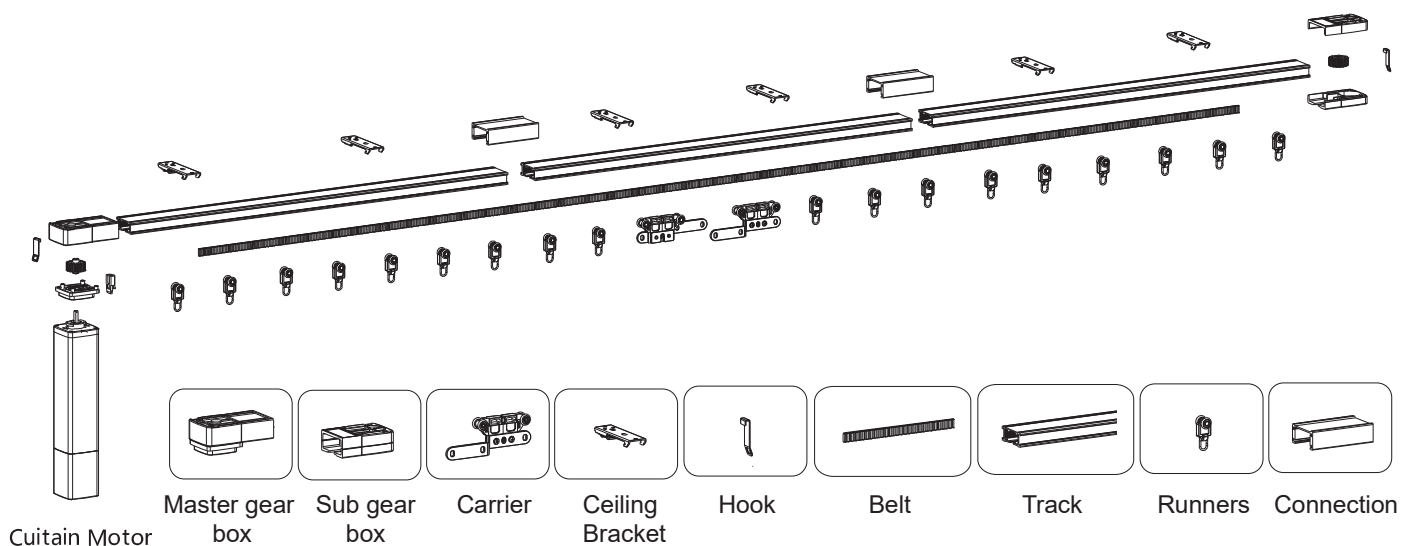
Multi-control: users can choose different ways to control, such as emitter or switch.

Freely assembling: DIY design and customized tracks.

MOTOR PARAMETER

Rated Torque	Nominal Voltage	IP	Nominal Consumption
1.2 Nm	AC100v~240v 50Hz/60Hz	IP20	40W

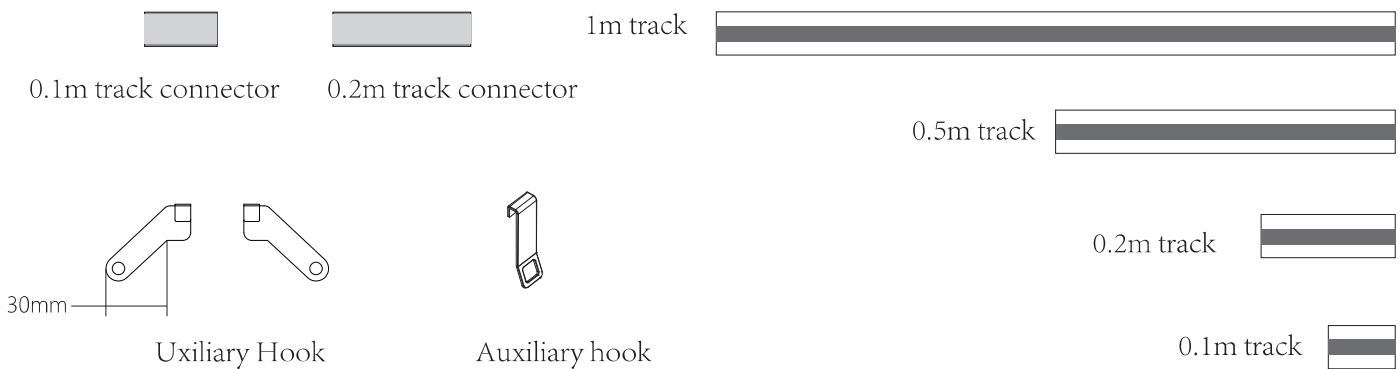
EXPLODED VIEW



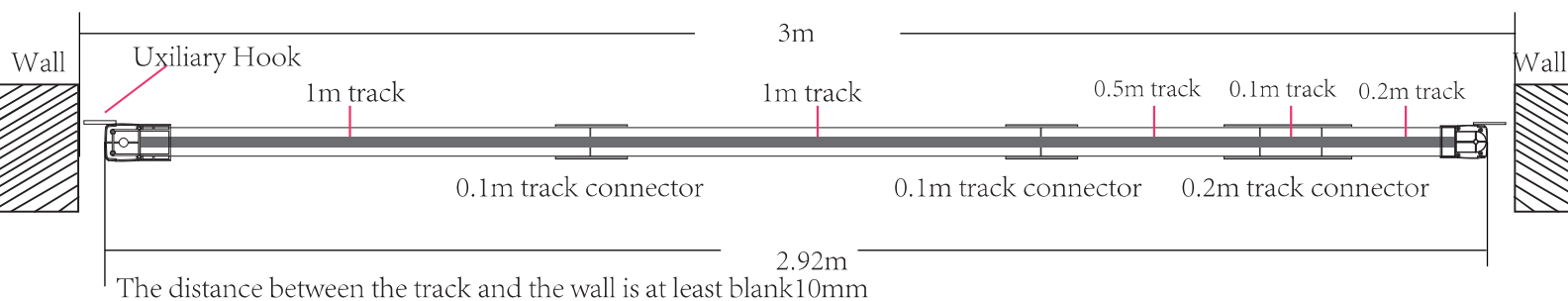
The solutions of intelligent curtain model

	Total length	Length of track (mm)	Track connector (mm)	Length of adjustable track(mm)					Suitable size
				Length of track(mm)			Track connector(mm)		
				1000	100	500	200	100	
1	2.2m	1	1	1	2	1	1	1	< 2.16m
2	3.2m	2	2	1	2	1	1	1	2.16m-3.16m
3	4.2m	3	3	1	2	1	1	1	3.16m-4.16m
4	5.2m	4	4	1	2	1	1	1	4.16m-5.16m
5	6.2m	5	5	1	2	1	1	1	5.16m-6.16m
6	7.2m	6	6	1	2	1	1	1	6.16m-7.16m
7	8.2m	7	7	1	2	1	1	1	7.16m-8.16m

Remarks: 1.The tracks with length of 500mm 、 200mm、 100mm are adjustable tracks, 200mm 、 100mm track connectors are connecting pieces for adjustable track, please take notice notice that the shortest track should be mounted on the head of the curtain tracks (closest position to the wall) .
2.Optional accessories:Side mounting bracket, 90 degree angle

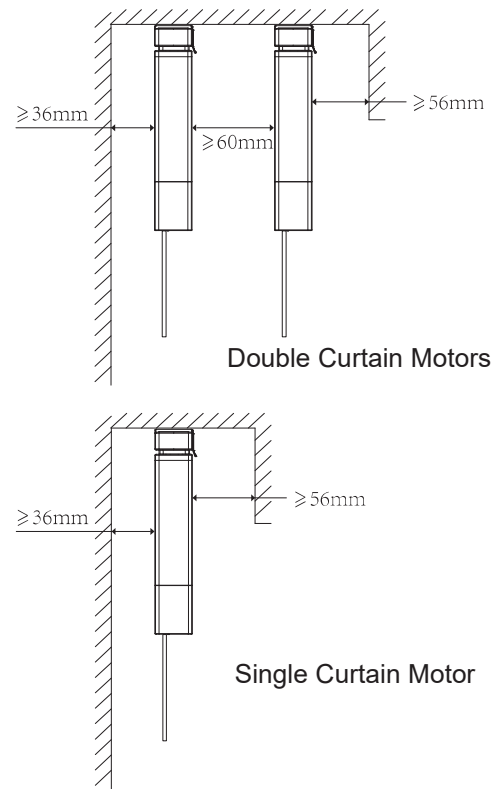
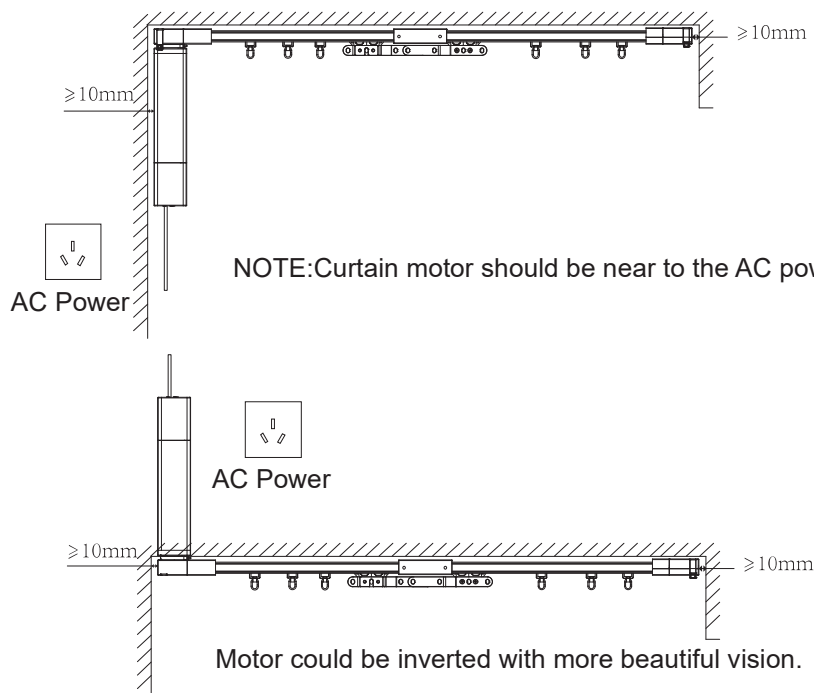


Example:track connect solution



Pay attention to the solution and the position of 0.1m track connector and 0.2m track connector when you use them
Center opening +Subsidiary opening=0.12m(length)
The distance between the track and the wall is at least blank 10mm

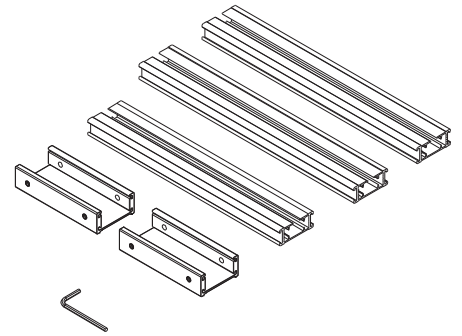
Curtain Track Dimension & Measurement



Track Installation Steps

Three sections as an example

- ① Allen wrench
- ② Connections
- ③ Tracks

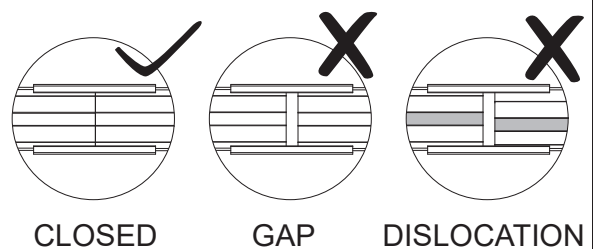


① Place the tracks and connection on flat ground

②

- ① Push the tracks into the connections.
- ② Let the tracks closed in the connection, then tighten the screws through Allen wrench.

NOTE: through tightening the screws, users can adjust the gap of two tracks. No gap, no dislocation.

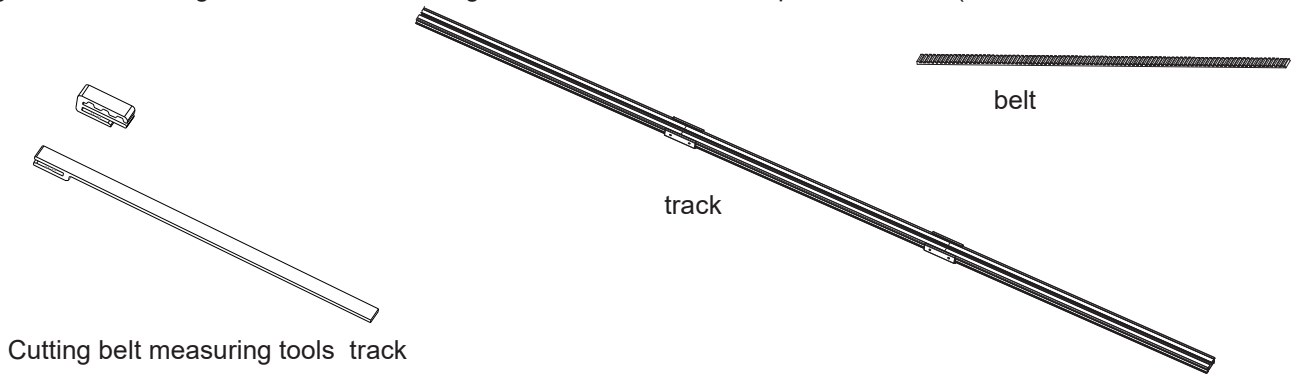


Cutting belt measuring tools instruction manual

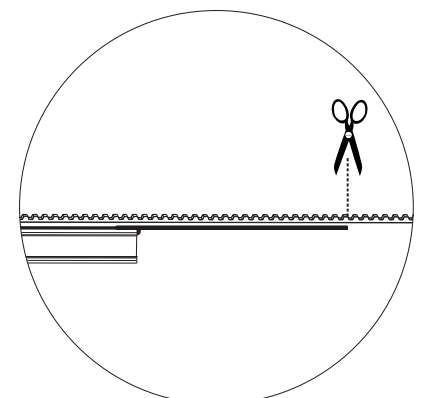
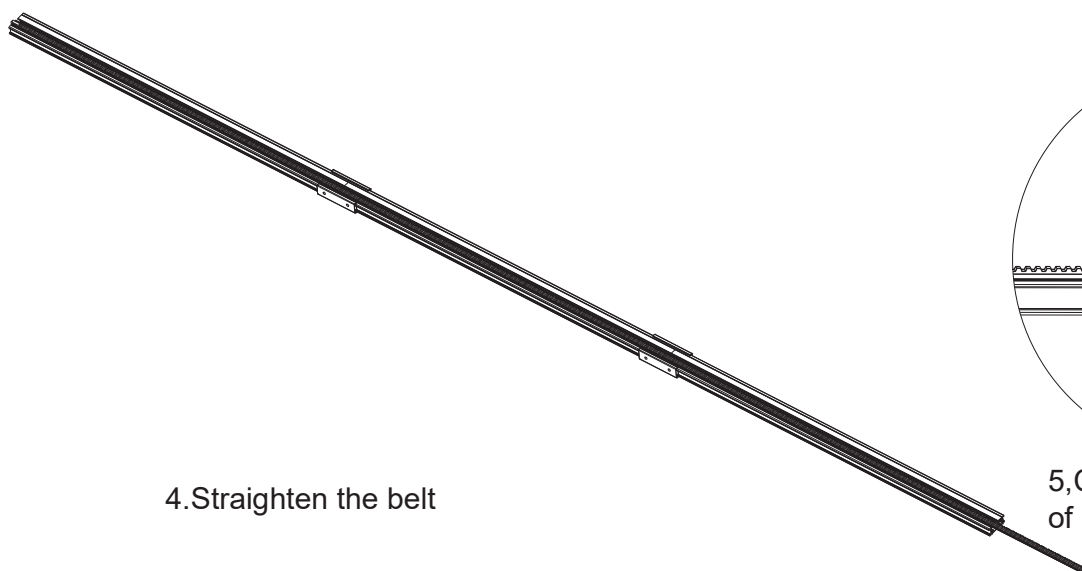
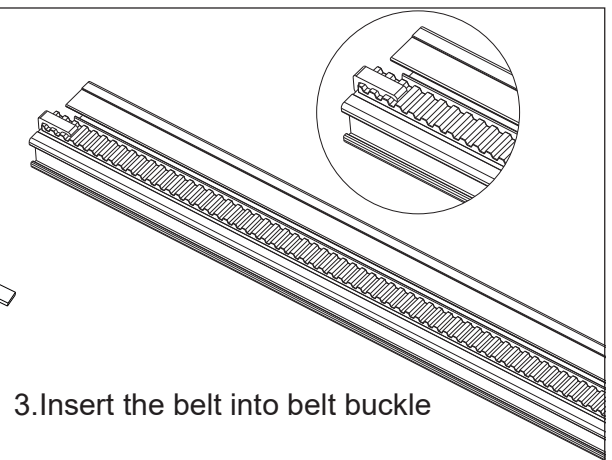
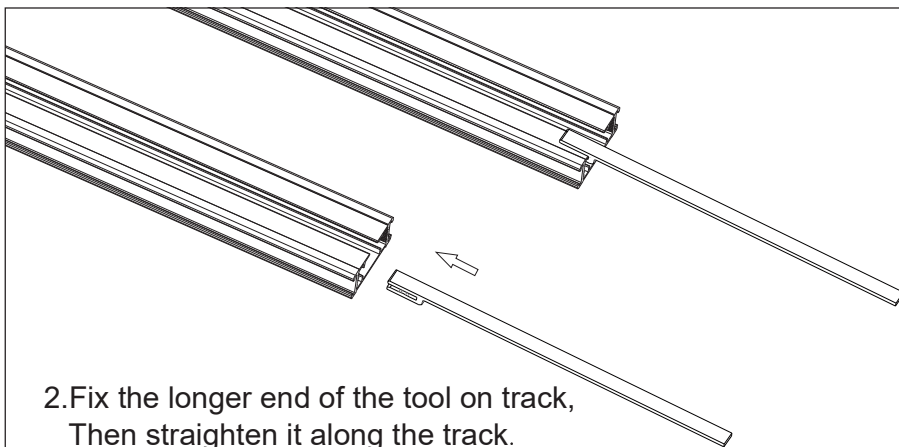
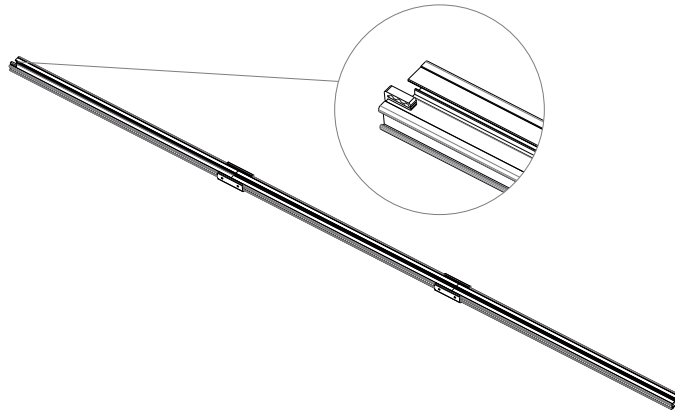
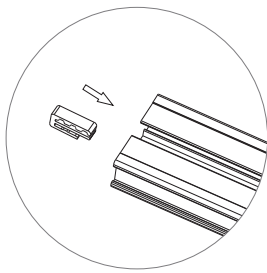
Remark: Only applicable double direction opening belt cutting

Double opening direction track needs making two equal length belts in the same way.

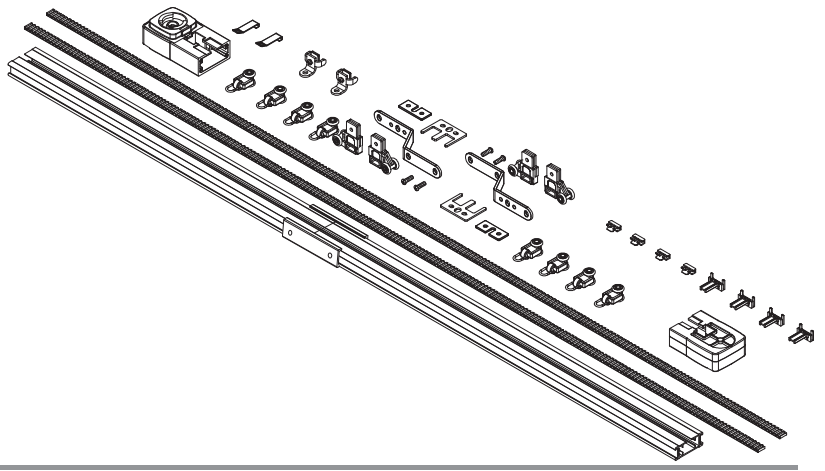
The length of belt for single track is the total length of belt for double track plus two teeth. (Just one, don't cut in the middle)



Take the tail set fixed at 1 end

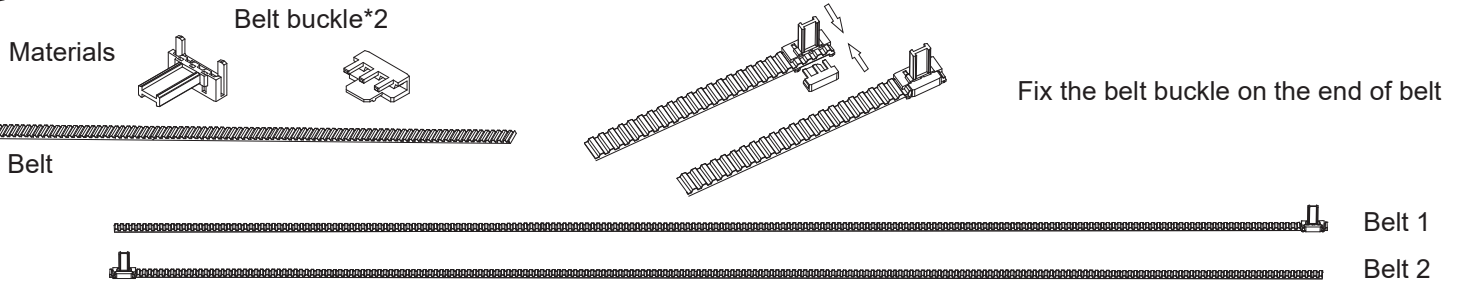


Double-side Open Track Installation Steps

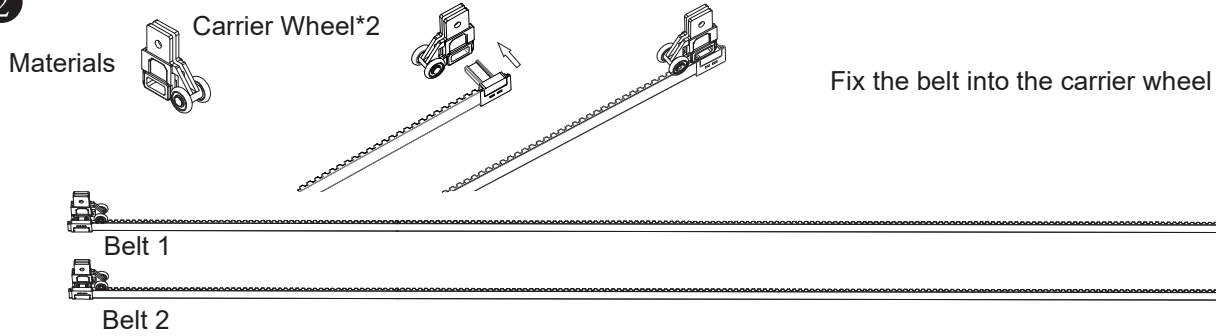


- *Length of Belt=length of track + 11cm:
Customer needs 2 belt in same length.
- *Runners: 8pcs per meter; integer forward
- *2pcs hooks
- *2pcs carriers for Double-side Open
- 2 sections track as an sample

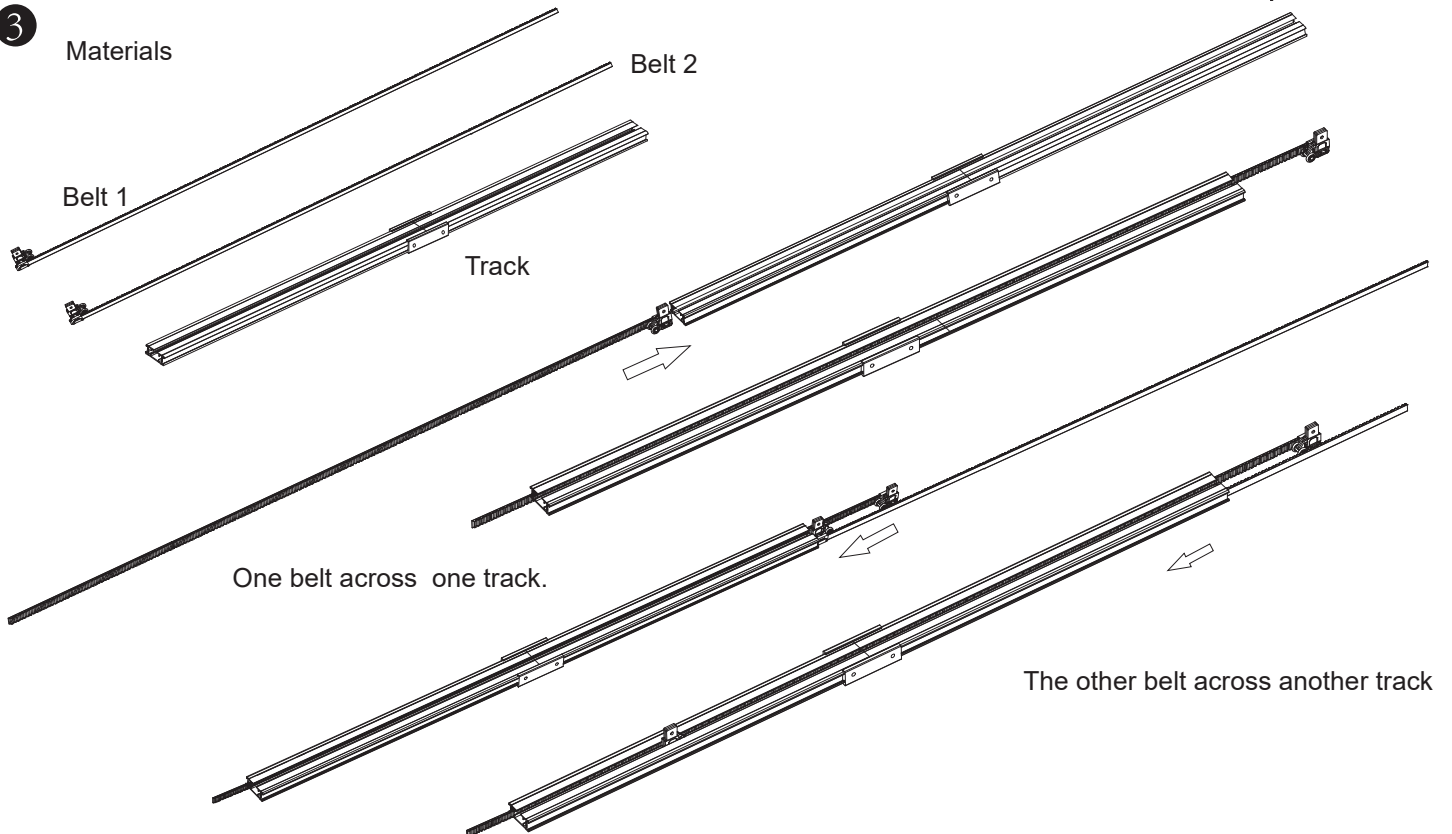
1



2



3

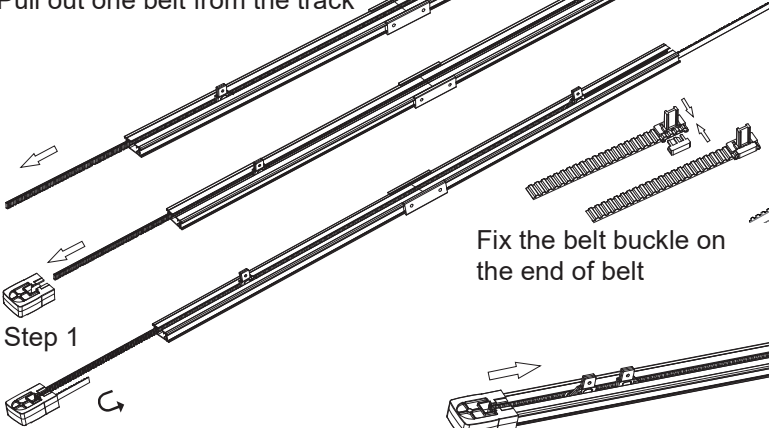


4 Materials



Subsidiary opening Belt buckle Carrier wheel

Pull out one belt from the track



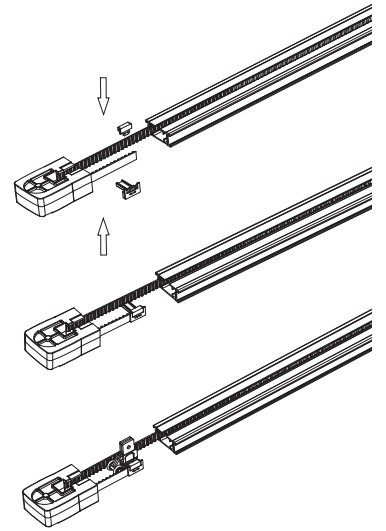
Step 1

Step 2

The belt across the subsidiary opening

Fix the belt buckle on the end of belt

Fix the belt on the carrier wheel

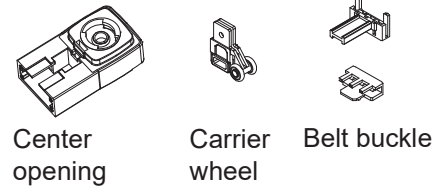
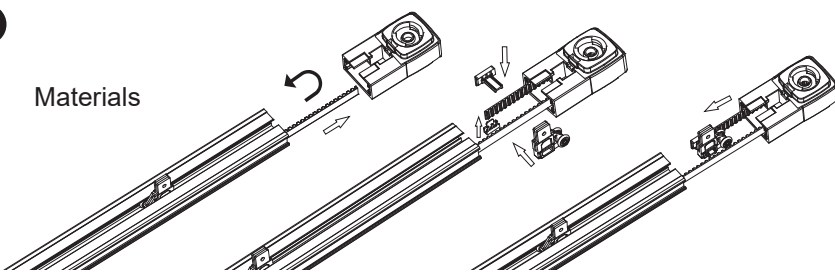


Assemble Subsidiary Opening

1. fix the belt buckle on the belt which has passed the subsidiary opening
2. make the belt buckle and carrier wheel firmly
3. pass the carrier wheel through the track, and push the track in subsidiary opening
4. make the subsidiary opening and track firmly

5

Materials



Center opening

Carrier wheel

Belt buckle

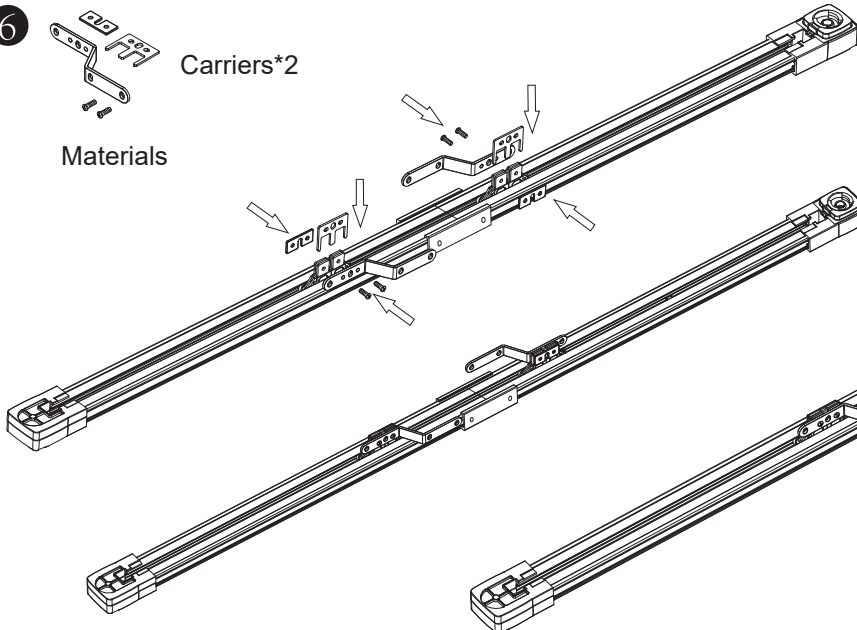
Assemble Center Opening

1. the belt across the center opening
2. fix the belt buckle on the end of belt
3. pass the carrier wheel through the track
4. make the center opening and track firmly

6

Materials

Carriers*2

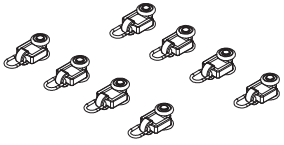


Assemble the Carrier : according to the figure and tighten the screws.

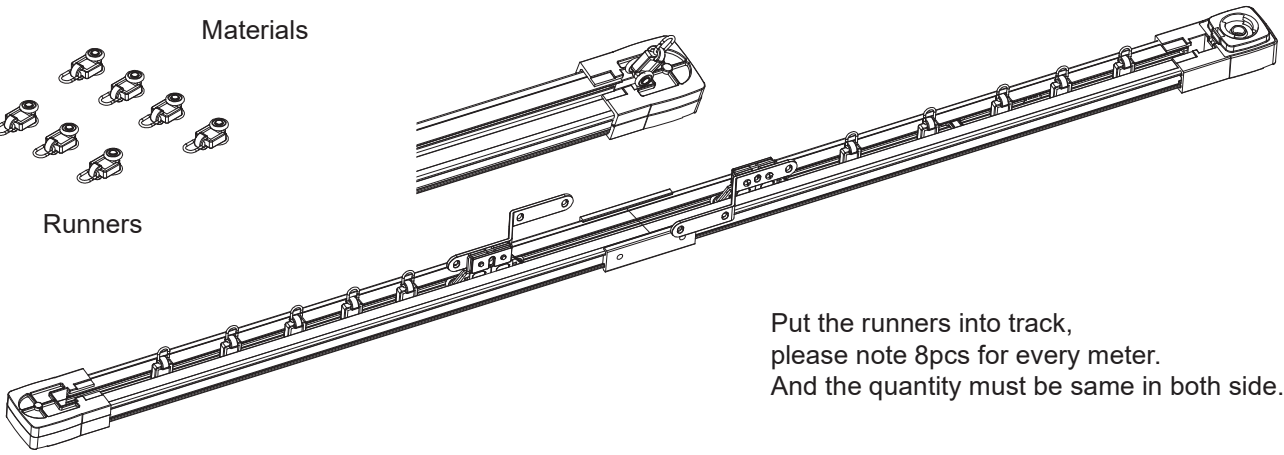
Rechecking whether the track can smoothly run, if not , please recheck the assembling.

7

Materials



Runners



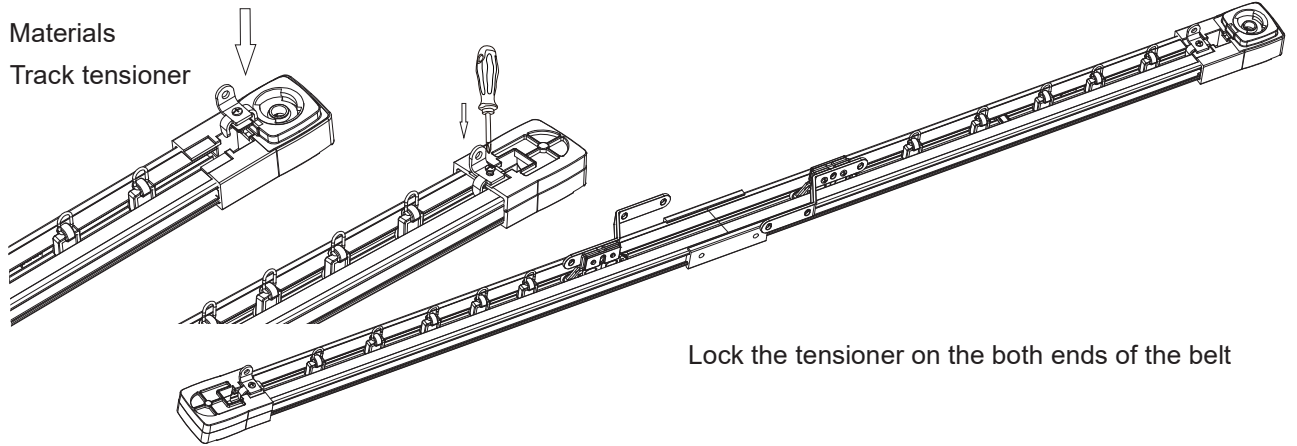
Put the runners into track,
please note 8pcs for every meter.
And the quantity must be same in both side.

8

Materials



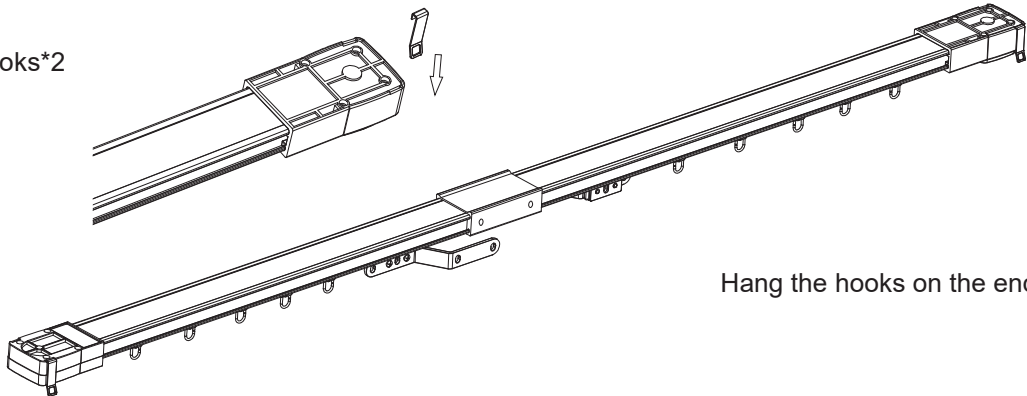
Track tensioner



Lock the tensioner on the both ends of the belt

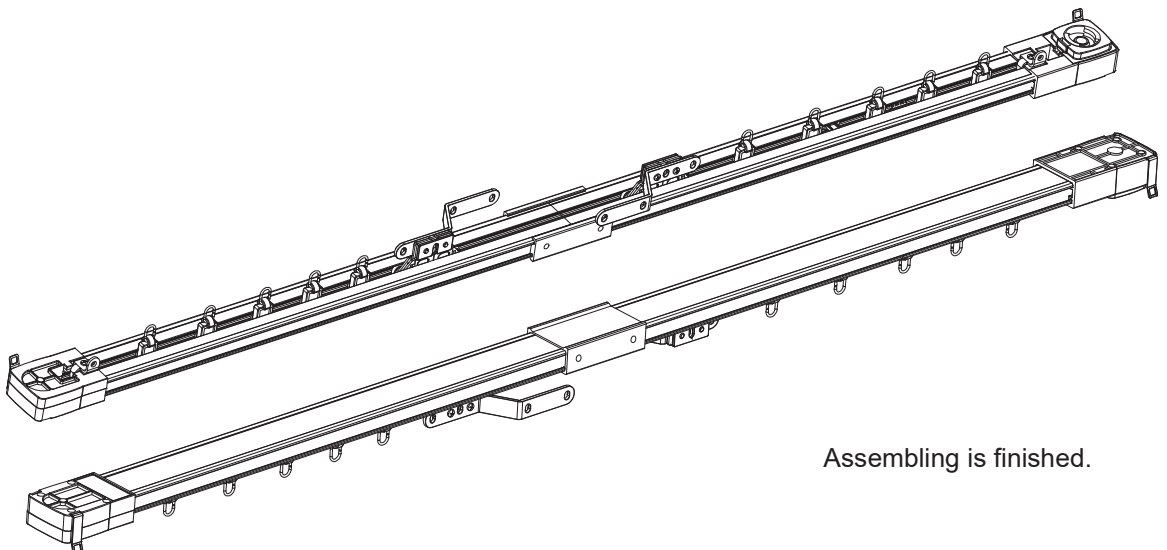
9

Hooks*2



Hang the hooks on the ends of the track

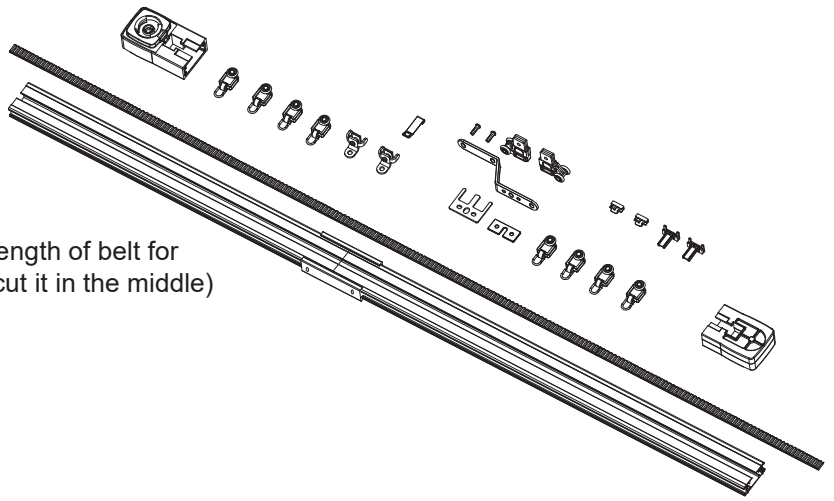
10



Assembling is finished.

Single-side Open Track Installation Steps

- *The length of belt for single track is the total length of belt for double track plus two teeth.(Just one, don't cut it in the middle)
- *Runners: 8pcs per meter; integer forward
- *1pcs hook
- *1pcs carrier for single-side opening
- 2 sections track as an sample



1

Materials

Belt buckle

Belt

Fix the belt buckle on the end of belt

2

Materials

Carrier Wheel

Fix the belt into the carrier wheel

3

Materials

Subsidiary opening

Track

One belt across one track.

Belt

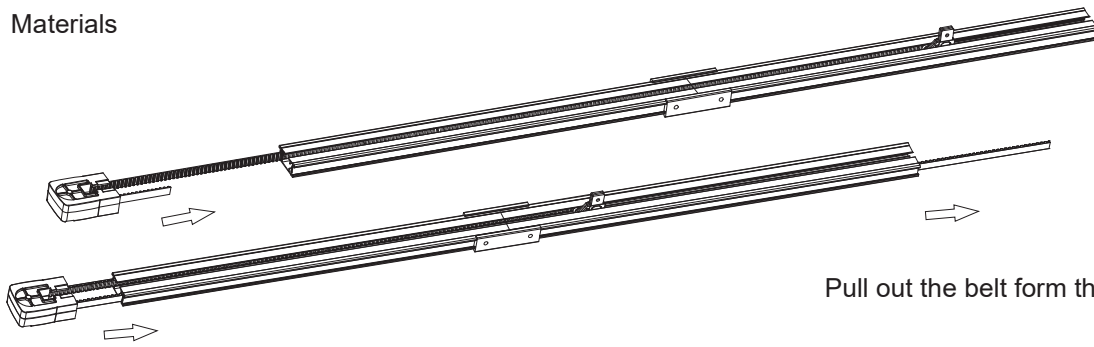
Step 1

Step 2

1, the belt across the center opening
2, then across the track

4

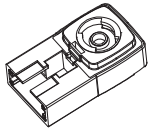
Materials



Pull out the belt form the other side of the track

5

Materials



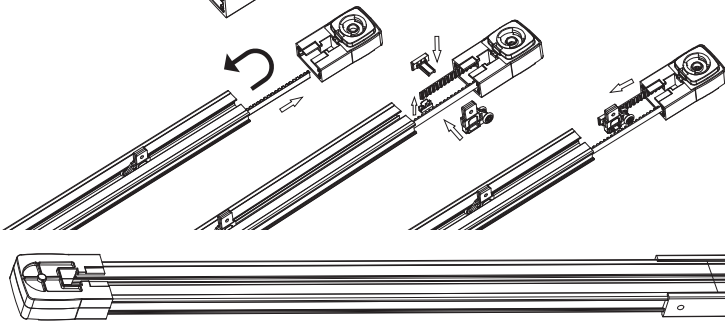
Center opening



Carrier wheel

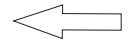


Belt buckle



Assemble Center Opening

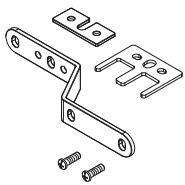
1. the belt across the center opening
2. fix the belt buckle on the end of belt
3. pass the carrier wheel through the track
4. make the center opening and track firmly



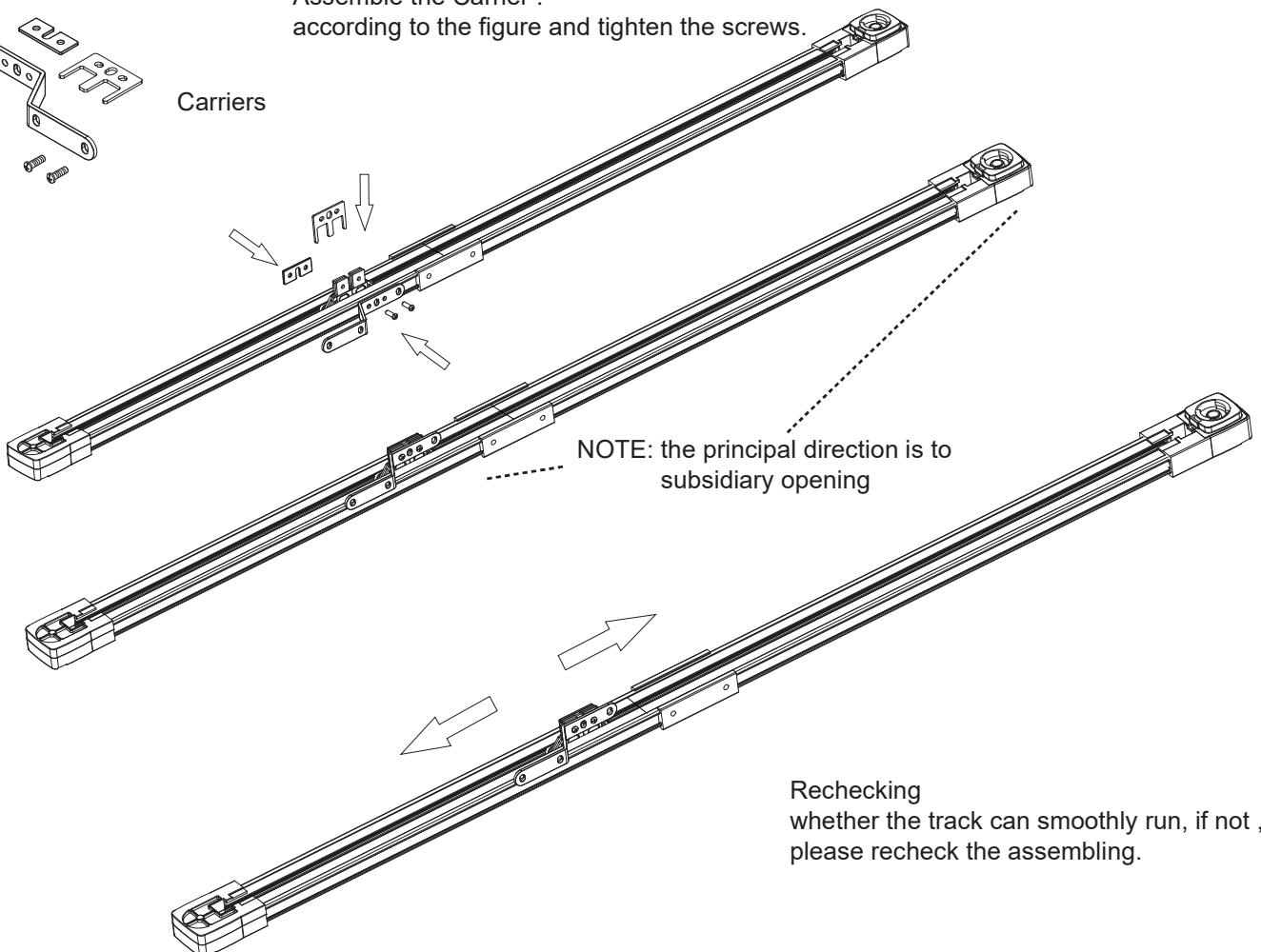
6

Materials

Assemble the Carrier :
according to the figure and tighten the screws.



Carriers

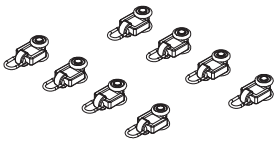


NOTE: the principal direction is to subsidiary opening

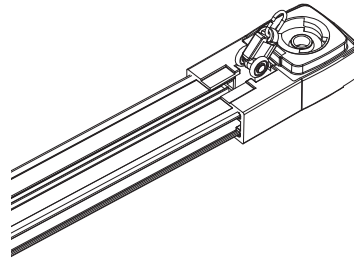
Rechecking whether the track can smoothly run, if not , please recheck the assembling.

7

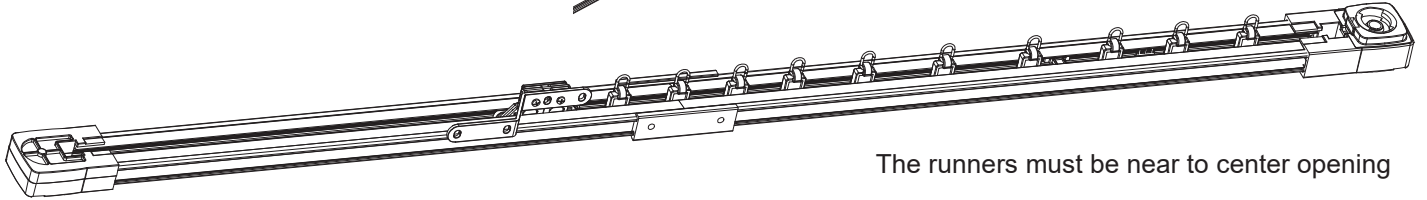
Materials



Runners



Put the runners into the track, please note 8pcs for every meter.



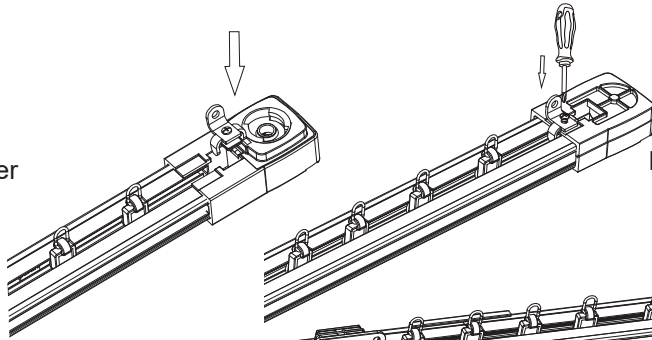
The runners must be near to center opening

8

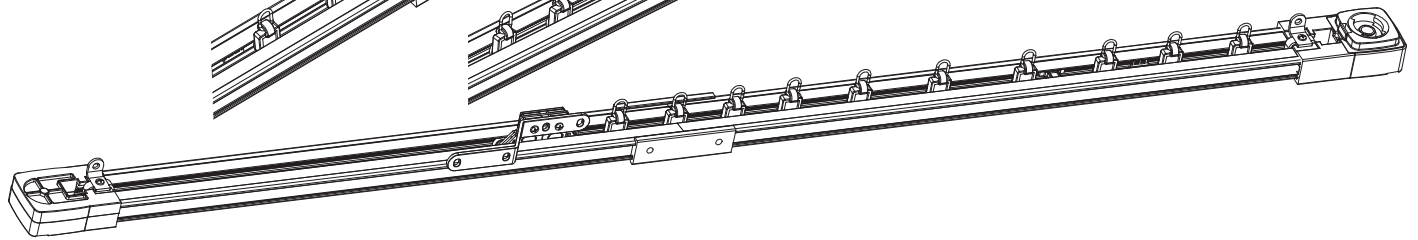
Materials



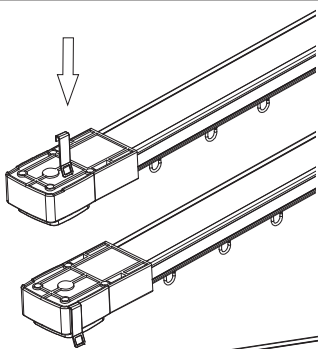
Track tensioner



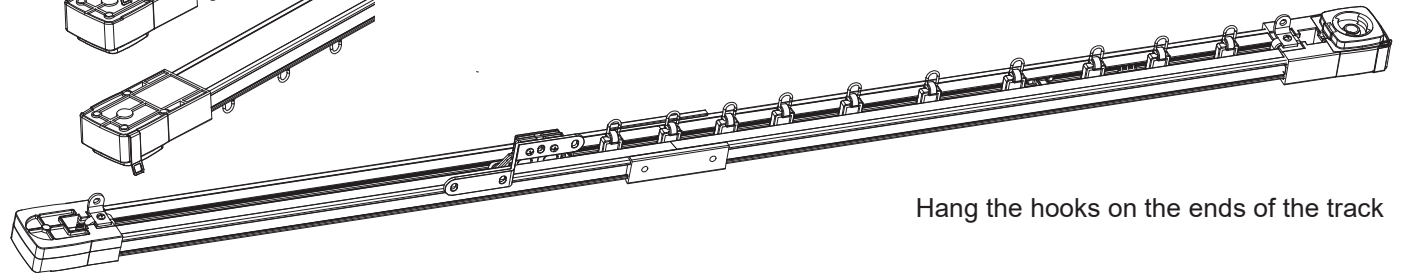
Lock the tensioner on the both ends of the belt



9

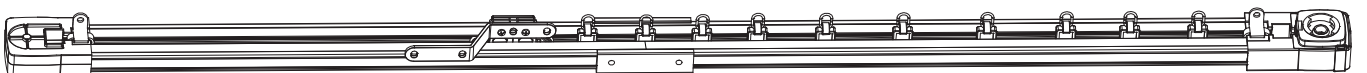


Materials
Hooks

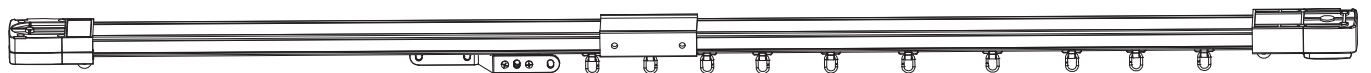


Hang the hooks on the ends of the track

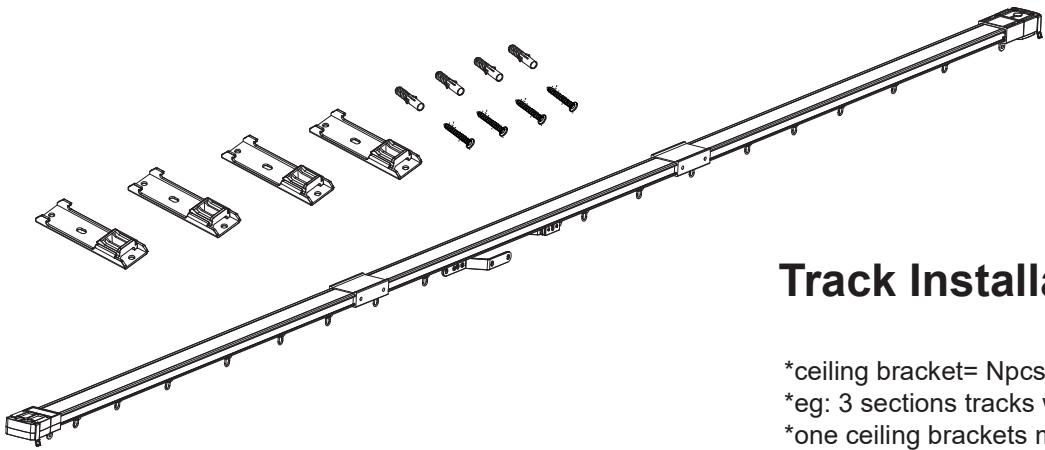
10



Motor side



Assembling is finished.

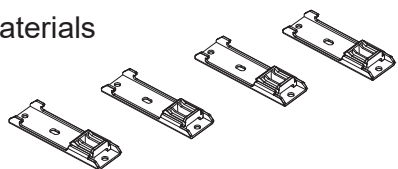


Track Installation Steps

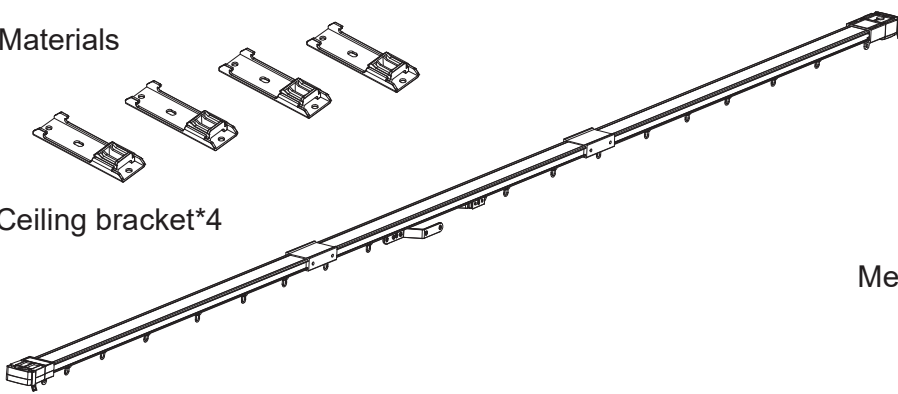
- *ceiling bracket= Npcs section+1pcs
- *eg: 3 sections tracks with 4 ceiling bracket
- *one ceiling brackets must be near to connection.
- *two ceiling brackets should be close to both opening. 3 sections track as an sample

1 Location of Ceiling bracket

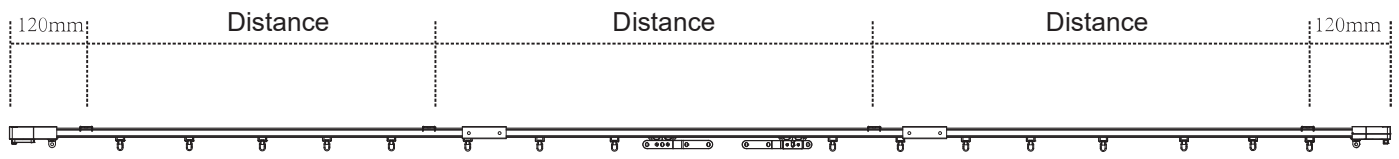
Materials



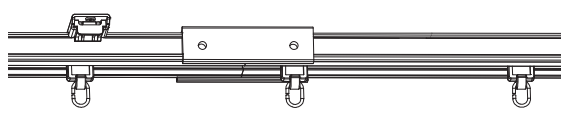
Ceiling bracket*4



Measuring the distance in advance



NOTE: One of the ceiling bracket must be near to the connection



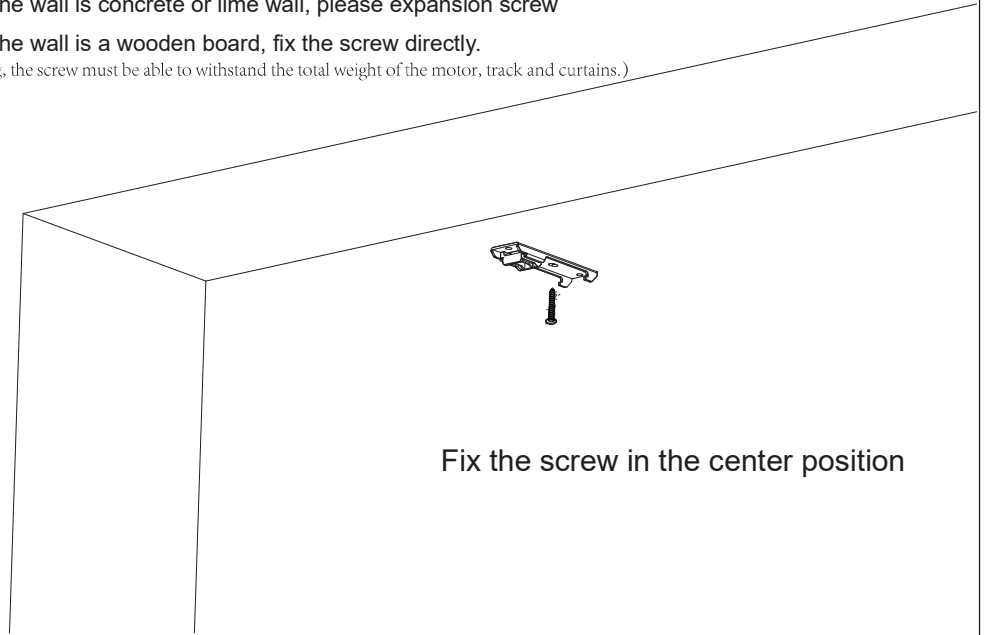
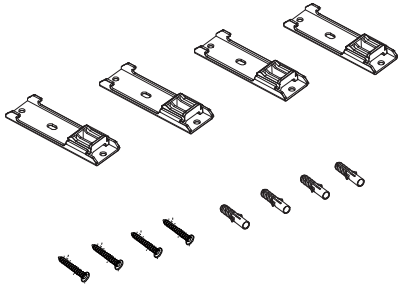
2 Fix the Ceiling bracket

Ceiling bracket*4 & screws

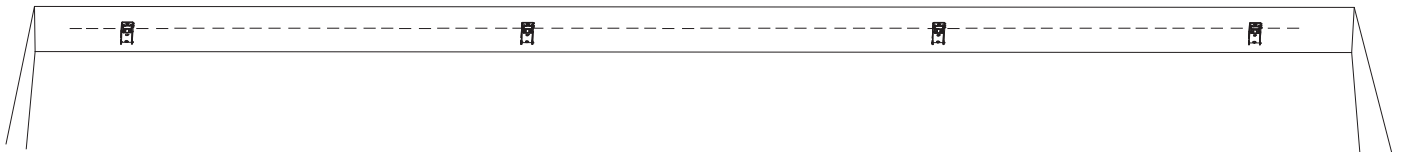
If the wall is concrete or lime wall, please expansion screw

If the wall is a wooden board, fix the screw directly.

(After fixing, the screw must be able to withstand the total weight of the motor, track and curtains.)



Fix the screw in the center position

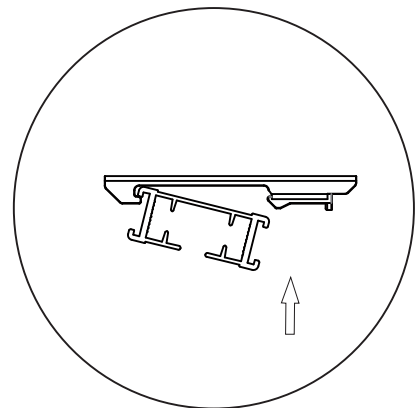
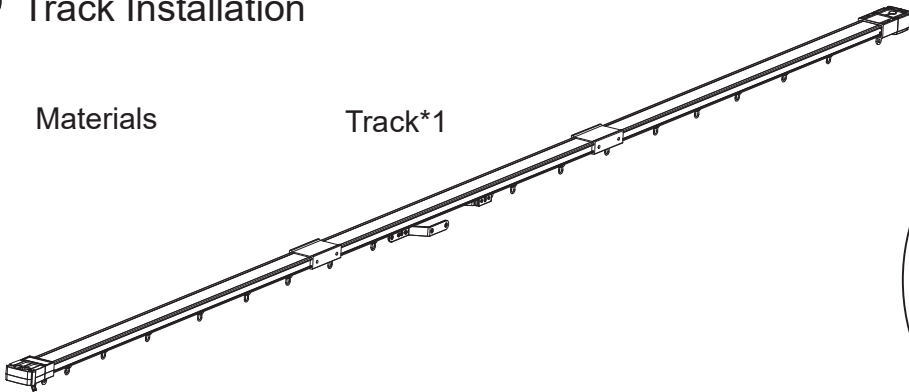


After determine the location, mounting the ceiling bracket
(Please make sure the screws are on the same line)

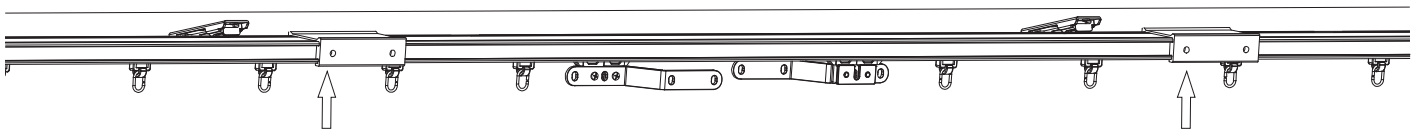
3 Track Installation

Materials

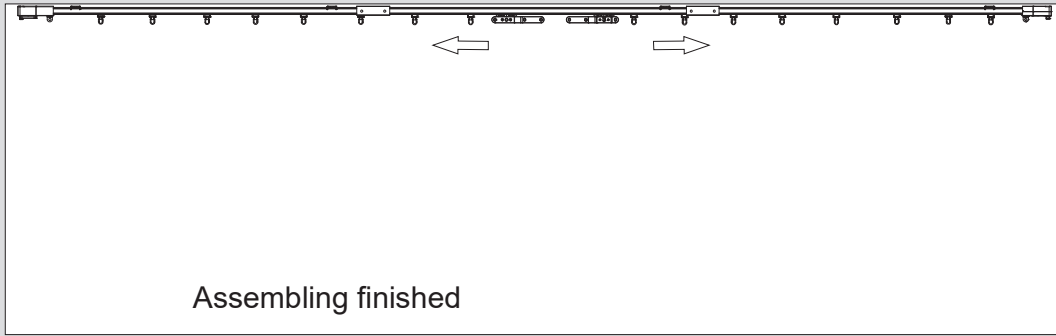
Track*1



Insert one side of the track, then push and make the track fully go into the ceiling bracket



4 TEST

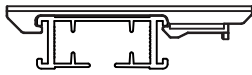


NOTE:

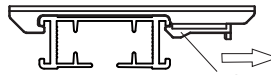
1. recheck the carrier, whether the track can smoothly run, if not ,please recheck the assembling.
2. recheck the connections,keep the connections and track close.
3. the hook should face to the users,not to the wall.

Disassembly of track

Follow the steps

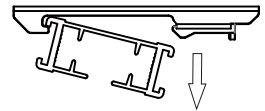


Original state

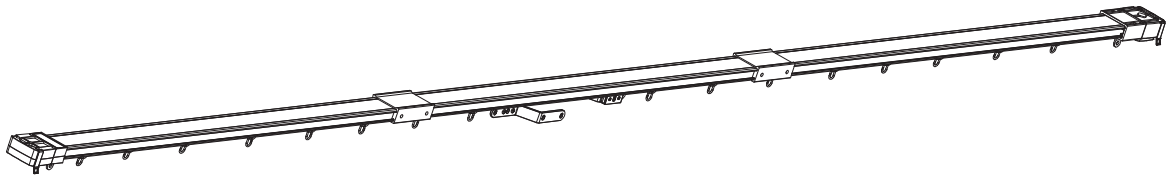


Slide the lock

Ceiling bracket lock

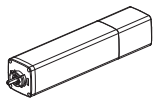


Take off the track



MOTOR

1 Materials

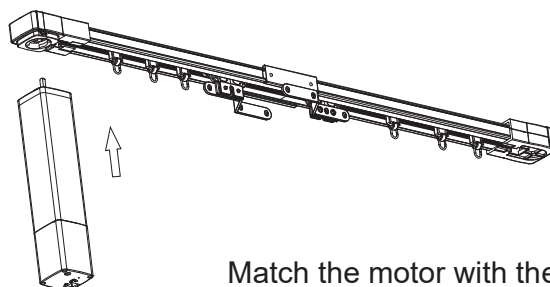
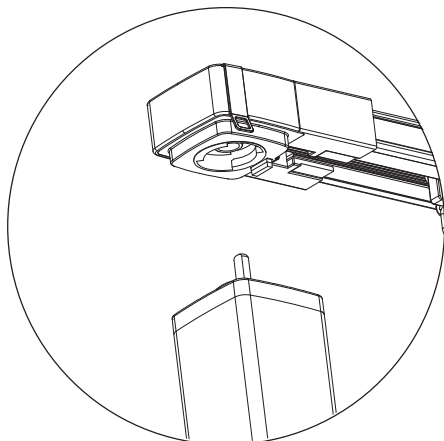
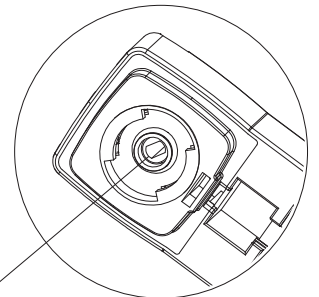


Motor



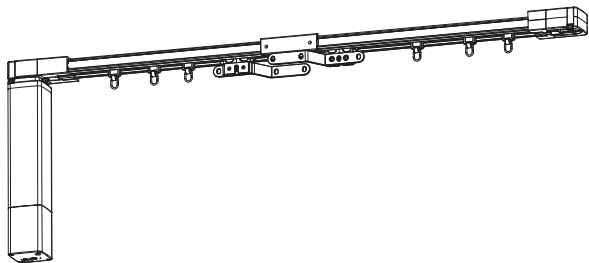
Track

Shaft & spigot



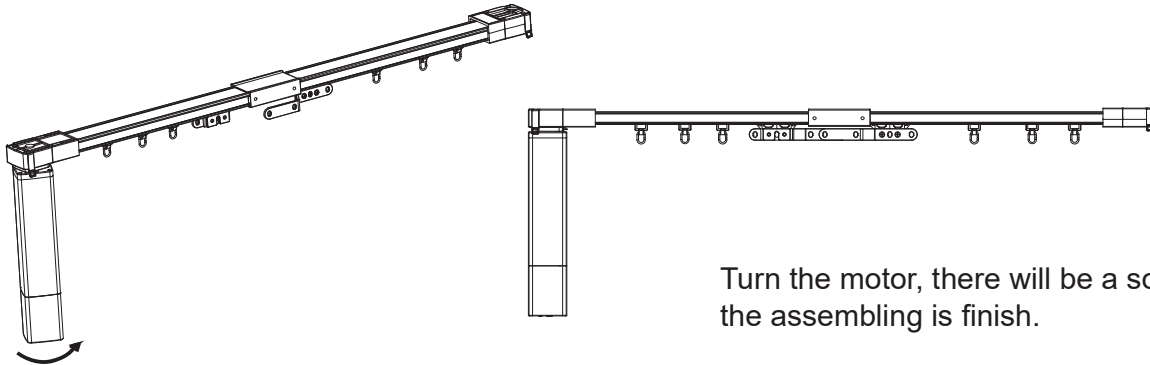
Match the motor with the spigot of the center opening

2



Complete matching

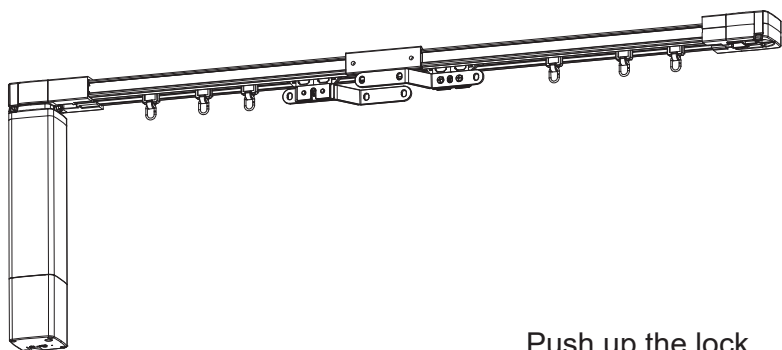
3



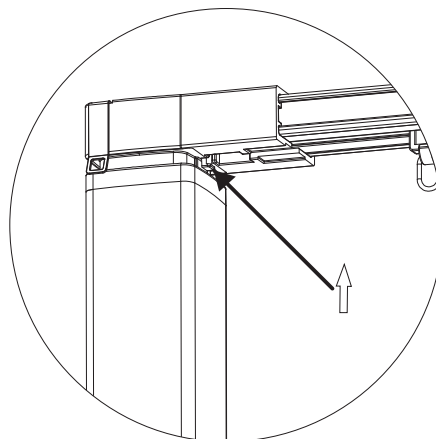
Turn the motor, there will be a sound of lock. the assembling is finish.

Disassembly of motor

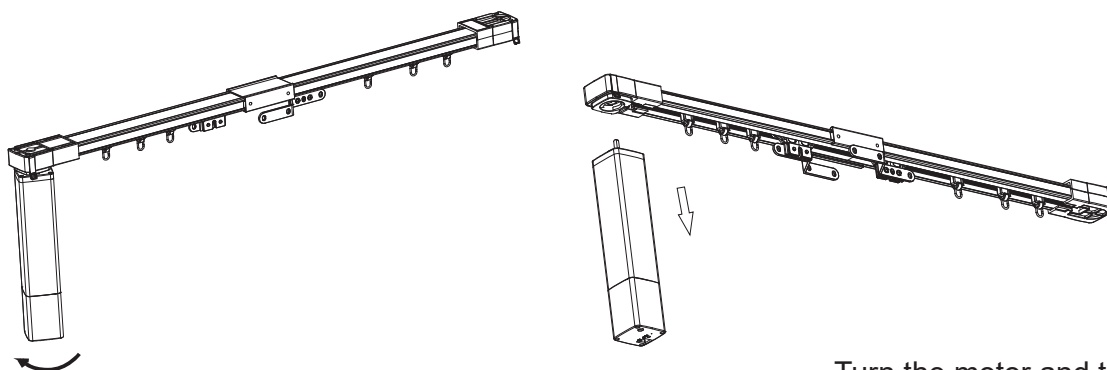
1



Push up the lock

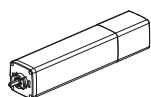


2

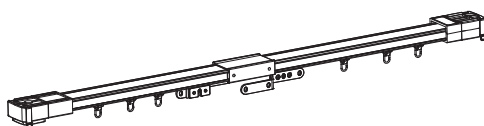


Turn the motor and take it off.

3



Motor



Track

Disassembly is finished.