



# MONTAGE HANDLEIDING

## Dakraam Rolgordijn



C(K)02, C(K)04, F(K)06, M(K)04, U(K)04: 8 pcs  
M(K)06, S(K)06, M(K)08, U(K)08: 10 pcs  
P(K)10: 12 pcs

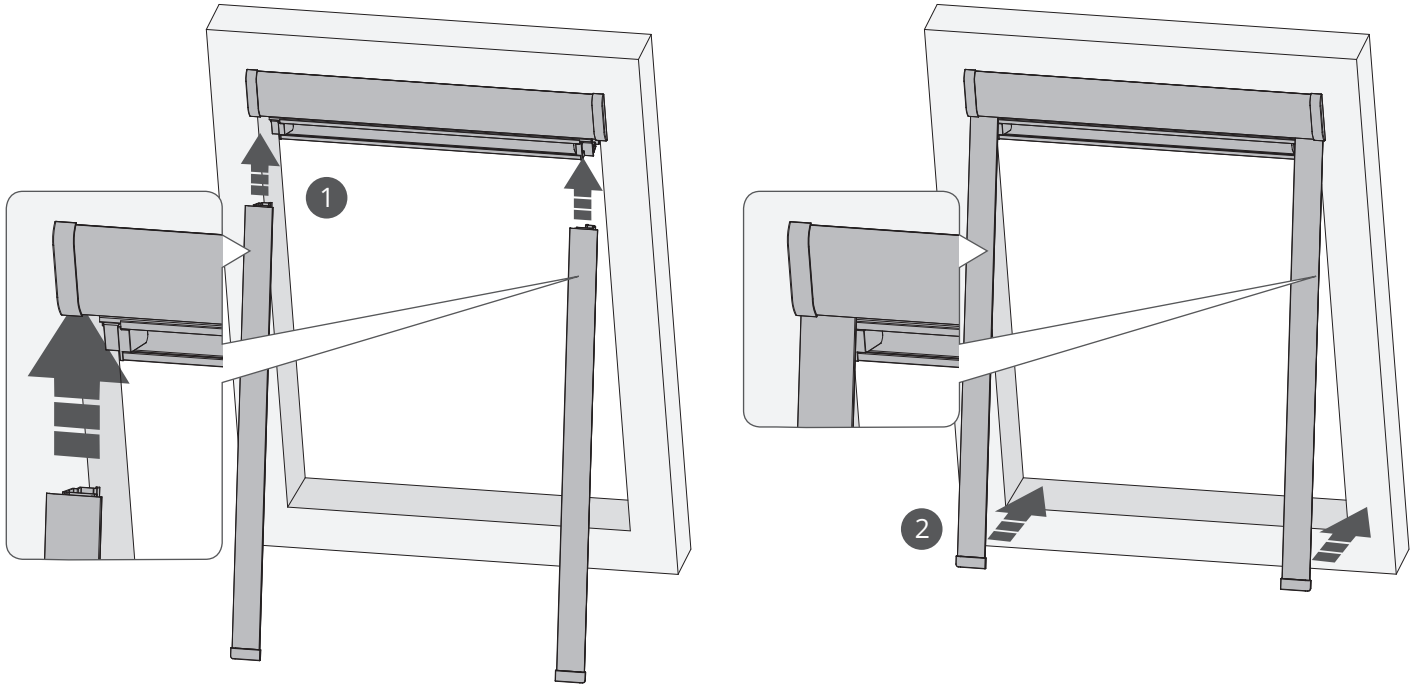


Ø3 x 16mm

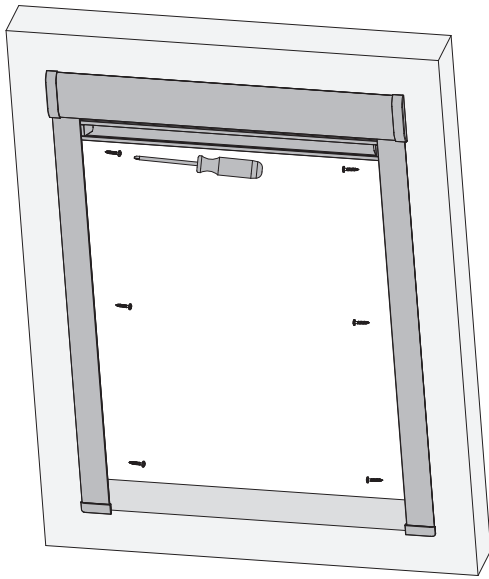




3



4



5

