



# INSTALLATION INSTRUCTION

Installation method: by screws

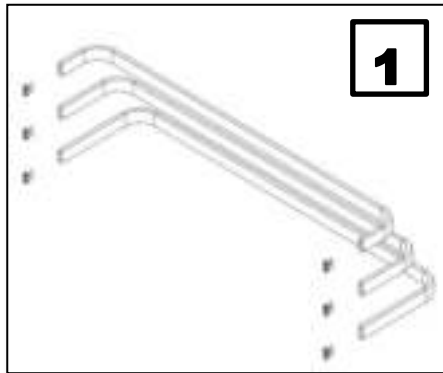


**NOTE:** 1. Type of wall: concrete & brick, wood, stone. 2. The thickness of wall: not less than 100mm.  
3. Installer should check for wiring and pipework before drilling hole via suitable detection devices.

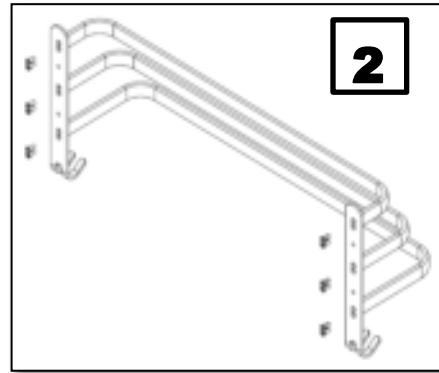
## Accessories List



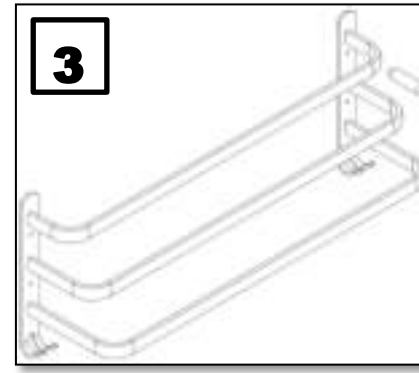
## Installation Steps:



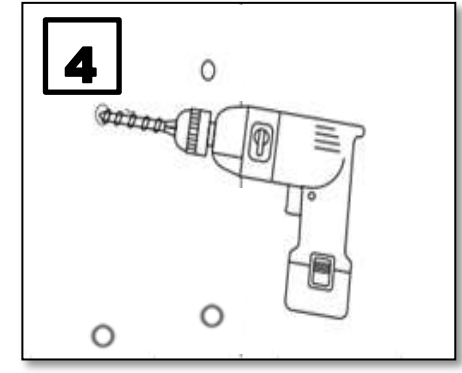
1. Unscrew from the bars.



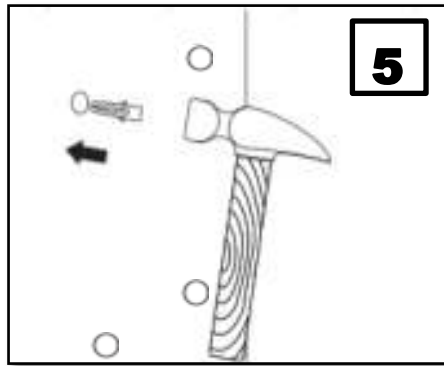
2. Assemble all parts together by screws



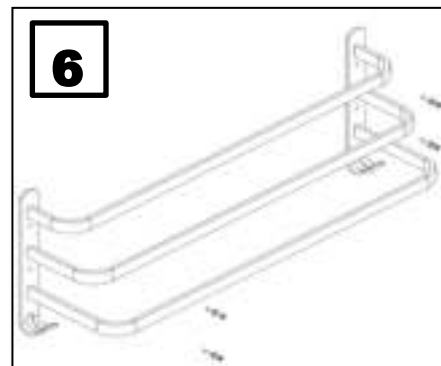
3. Make sure at perfect horizontal level, then mark mounting holes.



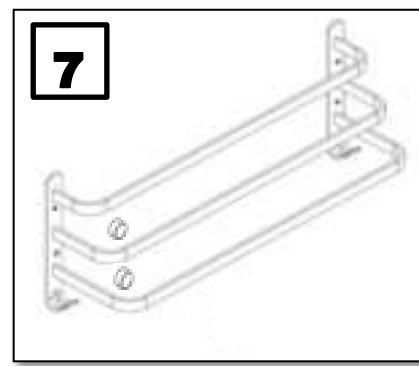
4. Drill 4 nos mounting holes with  $\Phi 6\text{mm}$  drill bit.



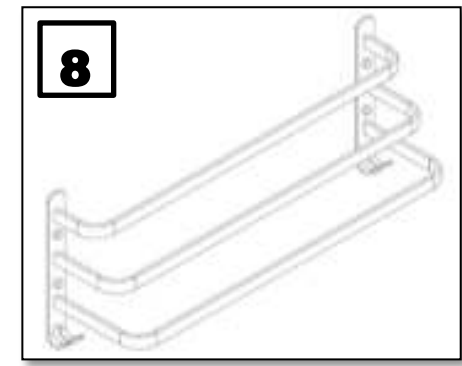
5. Insert the anchors ( $\Phi 6\text{mm}$ ) into the holes.



6. Install the shelf by screws



7. Install caps to hide screw head.



8. Installation complete.