

HKoenig

bw1778

Instruction Manual

Manuel d'instructions
Bedienungsanleitung
Gebruiksaanwijzing
Manual de instrucciones
Manuale d'uso



Beer dispenser

Machine à bière
Bierkühler
Bier automaat
Dispensador de cerveza
Spillatore cooler birra



ENGLISH

Please read the instruction manual carefully before installing and operating, and keep it for future reference.

INTRODUCTION

This is a household beer cooler, equipped keep the beer fresh. It brings the beer to the best temperature for cold storage (3 to 6°C) within 19-21 hours.

The beer cooler will keep the 5L Keg cool for an almost indefinite period. We do, however, suggest that you initially cool your beer keg for at least 12 hours in your refrigerator before placing it into the beer cooler.

IMPORTANT SAFETY INSTRUCTION

We have provided many important safety messages in the instruction manual for the beer cooler. Before use it, please read and obey all safety rules and operating instructions; and put the instruction manual in a safe place for future reference.

Safety Instruction

Before use it, check whether the power cord is well connected or not; if not, please don't use it, and call service center;

If the supply cord is damaged, it must be replaced by the manufacturer or its service agent or a similarly qualified person in order to avoid a hazard.

Before use it, check whether the plug conform with the socket or not; if not, please don't use it, and call service center;

Do not connect or disconnect the electric plug when your hands are wet.

Place the beer cooler on a dry and horizontal surface.

To ensure proper ventilation for the beer cooler, make sure the beer cooler is at least 5 inches / 10cm away on either side so as to allow correct ventilation on the appliance.

Never put the beer cooler under the sunlight.

Never cover the beer cooler when it is operating by some other object.

The beer cooler must be installed in an area protected from the elements, such wind, rain, water spray or drips.

Before proceeding with cleaning and maintenance operation, make sure the power line of the unit is disconnected. Failure to do so can result in electric shock or death.

Do not immerse the beer cooler or power plug in the water or other liquid.

Do not use coarse cloth, abrasive stuff to clear the beer cooler

Do not take beer keg out from the beer cooler if the beer is not drunk out completely.

Never allow children to operate, play with or crawl inside the beer cooler.

This appliance can be used by children aged from 8 years and above and persons with reduced physical, sensory or mental capabilities or lack of experience and knowledge if they have been given supervision or instruction concerning use of the appliance in a safe way and understand the hazards involved. Children shall not play with the appliance.

This appliance may be used by persons with reduced physical, sensory or mental capabilities or lack of experience or knowledge, provided that they are supervised or instructed in the safe use of the appliance and that they fully understand the potential hazards.

Cleaning and user maintenance shall not be made by children without supervision.

Children should be supervised to ensure that they do not play with the appliance.

Warning: Do not store explosive substances such as aerosol cans with a flammable propellant in this appliance.

This appliance may be used by children of at least 8 years of age, as long as they are supervised and have been given instructions about using the appliance safely and are fully

aware of the dangers involved.

Cleaning and maintenance should not be carried out by children unless they are at least 8 years of age and are supervised by an adult.

Keep the appliance and its power cord out of reach of children under 8 years of age.

When using electrical equipment, safety precautions must always be taken to prevent the risk of fire, electric shock and/or injury in the event of misuse.

Make sure that the voltage rating on the typeplate corresponds to your main voltage of your installation. If this is not the case, contact the dealer and do not connect the unit

Never leave the unit unattended while in operation.

Please keep this document at hand and give it to the future owner in case of transfer of your device

The device must not be used if it has been dropped, it obvious signs of damage are visible or if it has leaks.

Your appliance has been designed for domestic use only. It is not intended for use in the following situations which are not covered by the warranty:

- in staff kitchen areas in shops, offices and other professional environments,
- in farm hostels,
- by guests in hotels, motels and other residential environments,
- in bed and breakfast type environments.

The device must not be used if it has been dropped, it obvious signs of damage are visible or if it has leaks.

HOW TO SELECT A KEG

Sealed 5L Heineken keg applies only

Pay close attention to safety and storage messages about the keg / on the keg.

Check the keg is neither damaged nor beer out-of-date before purchasing.

Keep the keg in a rather cold for 12 hours but not too cold place (e.g. refrigerator) until next use.

Never shake the keg before use

Never put the beer keg under the sunlight

SPECIFICATIONS

Item	Descriptions	Specification
1	Voltage	AC 220-240V/50Hz
2	Available capacity	5 liter
3	Rated operating power	65W
4	Cooling performance	The lowest temperature in the keg: 3~6°C (room temperature 22~24°C)
5	Noise level	≤38dB(A); (ambient noise ≤3dB(A))
6	Dimensions	(W)272*(D)414*(H)446mm
7	Net weight	5.8±0.5Kg
8	Elegant plastic appearance	√
9	Aluminum radiator system	√
10	Semi-conductor cooling technology	√
11	Water conduction cooling system	√
12	Manual drainage outfit	√
13	Detachable water drip tray	√
14	Cool preservation system	PU insulation / Weight 300±5g
15	Climate type	N/SN

PARTS & FEATURE

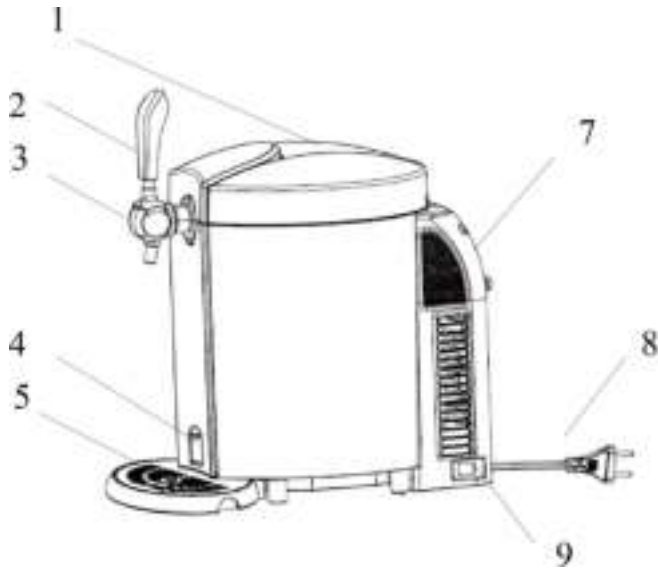


Figure 1



Figure 2

- | | |
|-----------------|----------------------|
| 1. Top cover | 6. Door lock button |
| 2. Tap handle | 7. Rear cover |
| 3. Tap | 8. Power cord & plug |
| 4. Drain switch | 9. AC power switch |
| 5. Drip tray | |

INSTALLATION & OPERATION

A. INSTALLATION

1. Take out the beer cooler from its package. Place the beer cooler on a steady and horizontal surface, and make sure the beer cooler is at least 5 inches/10 cm away from other appliances or wall on each side so as to allow correct ventilation on the appliances, to get better performance.

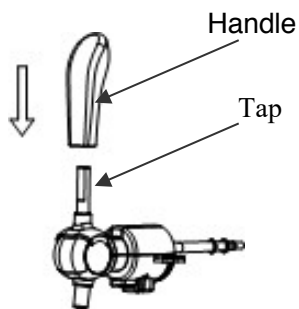


Figure 3

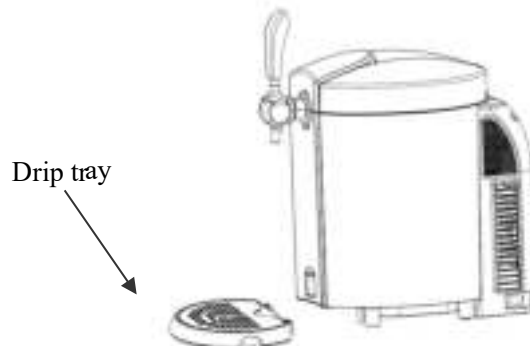


Figure 4

2. Install the tap handle connect the tap, make sure both end fit together perfectly. (Show as Figure 4)

3. Set the water drip tray into the notch provided. (Show as figure 5)

4. Open the beer cooler with 60-80N strength.

Note: Do not connect or disconnect the electric plug when your hands are wet. Before use it, make sure the voltage is conformity with plug mark, and check whether the power cord is well connected or not; if not, please don't use it, and call service center;

5. Put 800ml water into the cooling cavity or pour the water to the max mark (Show as figure 6) (It can work without water, but it can't display the best performance)

Note: Make sure the drain switch is at "Off" position, and no extra objects in the cooling cavity.

The max water level line (800ml)

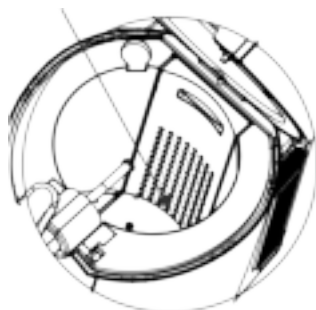


Figure 5

Make sure the drain switch is at "OFF" position.

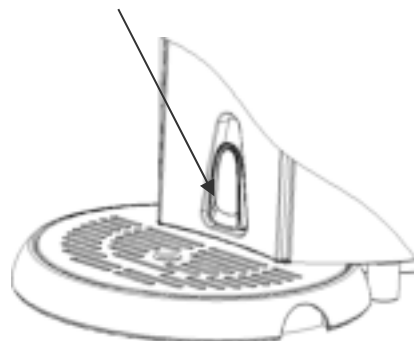
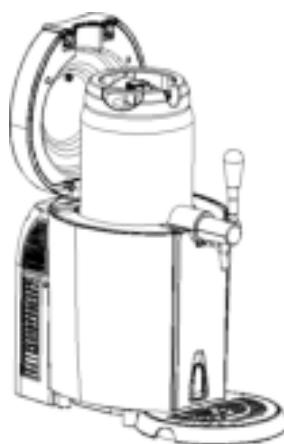


Figure 6

6. Place the ready-to-use drum in the tank of the appliance, connect the inlet hose to the drum.

NOTES: Check that the connection of the valve system is correct and undamaged.

Make sure that the tap valve is in the closed position.



7. Plug the beer cooler.

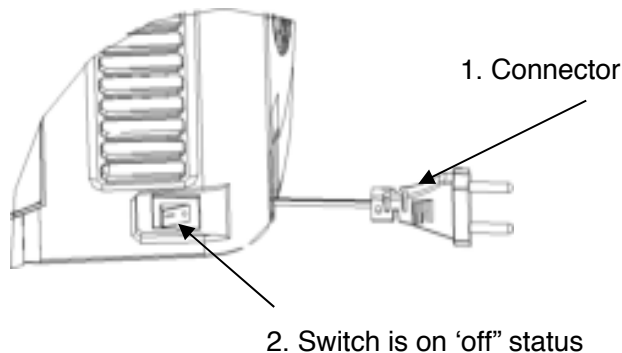
Note: Do not connect or disconnect the electric plug when your hands are wet. Before use it, make sure the voltage is conformity with plug mark, and check whether the power cord is well connected or not; if not, please don't use it, and call service center.

8. Close the top cover of the beer cooler.

9. Turn on the power switch to "I" position to power on the beer cooler. (While "0" position

is to power off it).

NOTES: Please make sure your hands are dry when you operate the beer cooler, to avoid electric shock.



10. It will take 19-21 hours to cool the beer to 3-6°C at 22-24 °C ambient temperature. And it can keep the temperature. We do, however, suggest that you initially cool your beer keg for at least 12 hours in your refrigerator before placing it into the beer cooler, especially when the ambient temperature is higher than 25°C.

11. To pour the beer out by pulling down the tap mechanism, and you can adjust the pressure regulator knob to control the beer flow rate and beer bubble;

Note: Clean the glass before pouring beer out; if the beer or beer cup/glass is in high temperature or the beer is not cool enough, there are many bubbles when pouring beer out.

12. When tapping the beer, lean your beer glass against the pouring spout and slowly straighten it up with the beer rising, then open the tap mechanism completely to avoid much bubble; It is advisable to pour half-glass, make a short pause before continuing the rest. **NOTES:** Never immerse the pouring spout into the beer glass to avoid much bubble; Remember to lock the tap after finishing pouring.

13. It is normal to have more bubbles when pouring the first 3 cups of beer.

14. There will be a sharp and high-speed jet when pouring the last cup of beer from keg.

B. Heineken Keg

1. The Heineken connector that comes with your beer cooler can work with all Heineken 5 liter kegs. However you must use a flat head screwdriver to remove the green base from the keg in order to install the new connector, provided with the beer cooler.

2. When install the new connector to the Heineken keg, you must firstly install the clear beer tube one end to the connector, one end to the tap mechanism, then install the connector to the Heineken keg.

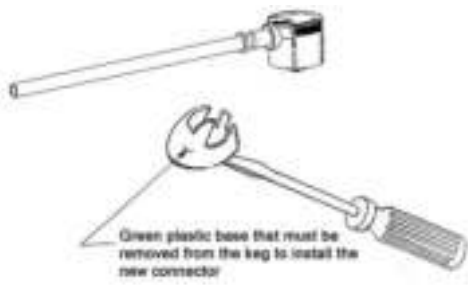


Figure 7

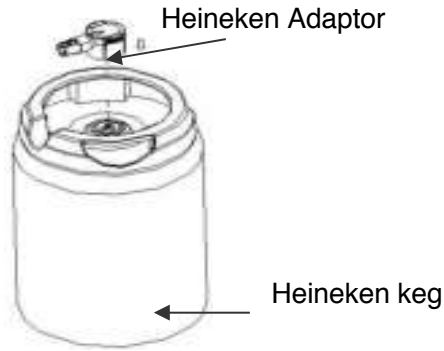


Figure 8

Note: Please take out the Heineken adaptor with collect ways, Press it according the arrow indication, or will damage the fastener

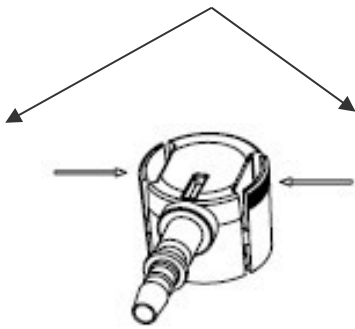
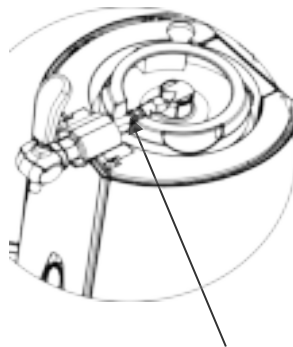


Figure 9



Beer connector

Figure 10

3. Turn on the power switch to “I” position to power on the beer cooler. (While “0” position is to power off) (Show as figure12).

Note: Please make sure your hands are dry when you operate the beer cooler, to avoid electric shock.

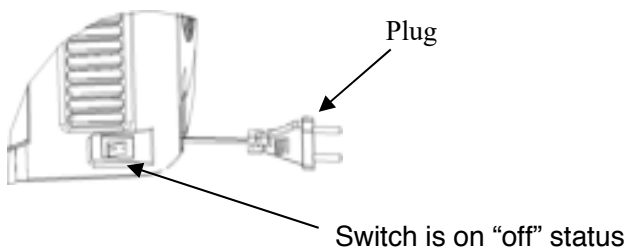


Figure 11

4. It will take 19-21 hours to cool the beer to 3-6°C at 22-24°C ambient temperature. And it can keep the temperature. We do, however, suggest that you initially cool your beer keg for at least 12 hours in your refrigerator before placing it into the beer cooler, especially when the ambient temperature is higher than 25°C.

5. To pour the beer out by pulling down the tap mechanism, and you can adjust the pressure regulator knob to control the beer flow rate and beer bubble (Show as figure13);

Note: Clean the glass before pouring beer out; if the beer or beer cup/glass is in high temperature or the beer is not cool enough, there are many bubbles when pouring beer out;

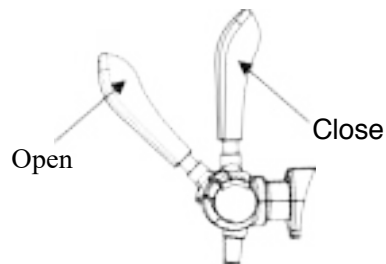


Figure 12

6. When taping the beer, lean your beer glass against the pouring spout and slowly straighten it up with the beer rising, then open the tap mechanism completely to avoid much bubble; It is advisable to pour half-glass, make a short pause before continuing the rest.

Note: Never immerse the pouring spout into the beer glass to avoid much bubble; Remember to lock the tap after finishing pouring.

7. It is normal to have more bubbles when pouring the first 3 cup of beer.

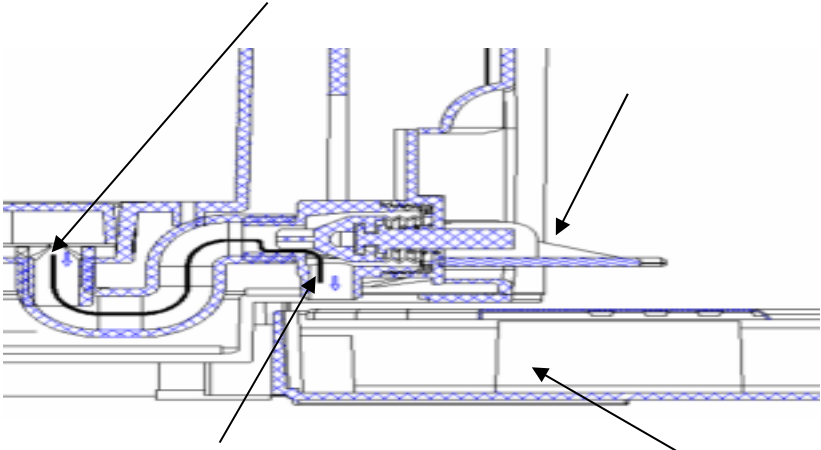
8. There will be a sharp and high-speed jet when pouring the last cup of beer from keg.

C. REPLACE WATER INSIDE THE COOLING CAVITY

It is recommended replacing the water inside the cavity once each week. (No need to replace the water for each beer keg, one week one time recommended)

Open the drain switch, water flow into the S shape drainpipe from this end

Move the drain switch to horizontal line, will start to drain water



Water flow into drip tray from this end

Drip tray

Figure 13

1. Open the drain switch to drain out the water from the cavity into the drip tray. Make sure the drip tray is fit into the notch to avoid water flow to the desk; the drip tray can load 450ml water;
2. After all water drain out, close the drain switch and put 800ml fresh water into the cavity.
3. Open the drain switch (drag the switch forward to 90 degree angle), and drain out the water inside the cavity to drip tray, and need twice to drain out the water.

Warning:

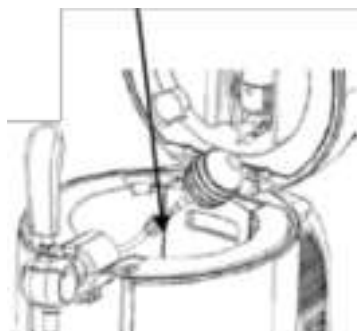
- 1) Clean water is necessary;
- 2) make sure the drip tray is fit into the notch to avoid water flow to the desk;
- 3) The drip tray can load 400-500ml water;

CLEANING BEER TAP MECHANISAM

Beer cooler need conformity with hygienically demand, it need clean before the first use or for long time use, clean the whole machine with dry cloth. Otherwise two cleaning way is recommended as following:

1. Load the warm water into the cleaning kit.
2. And connect the end of piercing pin, press the water into the pin to clean the pin tube, and push the water out from the beer tube at the other end. And repeat this cleaning work till the beer tube clean (need 3 bottles warm water at least); please clean the beer tap mechanism as figure 30. Note: Please disassemble the tap when make the cleaning. (Show as figure 29)

This connector must connect with cleaning bottle






3. Before cleaning remove the mains lead from the socket.

Warning:

Never put the tap mechanism parts in the washing machine or dishwasher;

Never use the chemical cleaning detergent to clean the parts, warm or purified water is recommended.

CHANGE SPARE PARTS {3 pieces Heineken adapter)

NO.	Name	QTY	Installment	Figure	Note
1	Adaptor	3	Heineken tub		1set
2	Cleaning pump	1			1pcs
3	Beer tube	1	Quick connector		1pcs

TO CHANGE BEER TUBE

Please replace the beer tube if beer tube is damaged and cause beer leakage.

1. Remove the top cover, let the tap handle in the direction of beer-outing when draw out the tube.
2. Remove the tap clip, and then screw out the quick connector.
3. Install the new beer tube according with reverse procedure.

Note: Don't move other screws when processing tube replacement, otherwise, it may cause the beer leakage or gas leakage.

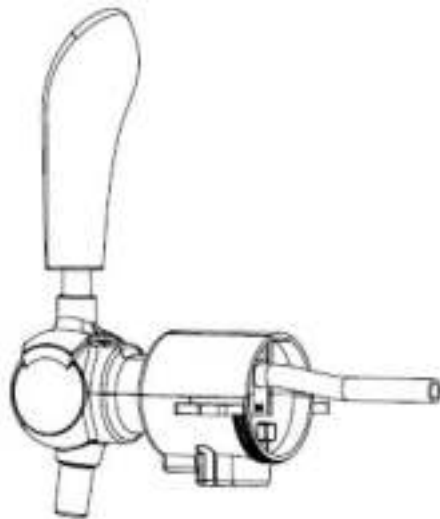


Figure 14

MAINTENANCE

If the beer cooler does not work properly, please call the service center;

To save time and money, before you call for service, check the Troubleshooting Guide. It lists cause of minor operation problems that you can correct yourself.

Trouble	Cause	Troubleshooting
The tap does not work / can't pour beer out	<ol style="list-style-type: none">1. The beer tube is in poor connection2. No keg or no beer in the keg;	<ol style="list-style-type: none">1. Well connect the pouring tube2. Change a new keg
Too much bubble pouring out	<ol style="list-style-type: none">1. Use a wrong way to pour beer out2. The beer temp is high (best at 3-6°C)3. The keg is shaken before usage4. Almost no beer in the keg	<ol style="list-style-type: none">1. Use the right way to pour beer out2. Cool the beer down to 3-6°C3. Put the beer keg aside a while till no bubble inside4. Change a new keg
Beer flows out too slowly	The connection tube or beer tube has leakage	Check whether the tube is leakage or not, if so replace the tube

ENVIRONMENT

CAUTION:



Do not dispose of this product as it has with other household products. There is a separation of this waste product into communities, you will need to inform your local authorities about the places where you can return this product. In fact, electrical and electronic products contain hazardous substances that have harmful effects on the environment or human health and should be recycled. The symbol here indicates that electrical and electronic equipment should be chosen carefully, a wheeled waste container is marked with a cross.

Adeva SAS / H.Koenig Europe - 8 rue Marc Seguin, 77290 Mitry-Mory, France
www.hkoenig.com - <https://en.hkoenig.com> - Tél: +33 1 64 67 00 05

FRANÇAIS

Merci de lire attentivement le manuel d'instructions avant d'installer et d'utiliser la machine et conservez-le.

INTRODUCTION

Il s'agit d'une tireuse à bière portative pour la bière, conçue pour maintenir la bière au frais. Elle amène la bière à la température idéale de conservation (entre 3 et 6°C) en 19 à 21 heures.

La tireuse à bière conservera le tonnelet de 5 litres au frais pendant un temps pratiquement indéfini. Toutefois, nous vous recommandons au départ de mettre le tonnelet dans votre réfrigérateur pendant au moins 12 heures avant de le placer dans la tireuse à bière.

INSTRUCTIONS IMPORTANTES DE SÉCURITÉ

Vous trouverez dans le manuel d'instructions de nombreuses recommandations de sécurité concernant la tireuse à bière. Avant de l'utiliser, merci de lire et de respecter toutes les règles de sécurité ainsi que les instructions d'emploi. Mettez le manuel d'instructions dans un endroit sûr pour pouvoir le consulter ultérieurement.

Instructions de sécurité

Avant de l'utiliser, vérifiez que le câble électrique est bien connecté. Si ce n'est pas le cas, merci de différer son emploi et d'appeler le centre de dépannage.

Si le câble d'alimentation est endommagé, il doit être remplacé par le fabricant ou son agent, ou encore par une personne qualifiée afin d'éviter tout risque.

Avant de l'utiliser, vérifiez que la prise mâle correspond à la prise femelle. Si ce n'est pas le cas, merci de différer son emploi et d'appeler le centre de dépannage.

Si vos mains sont humides, ne manipulez pas le câble électrique

Disposez la tireuse à bière sur un support horizontal et sec.

Afin d'assurer une ventilation adéquate de la tireuse à bière, assurez-vous qu'elle se situe au moins à 10 cm de toute paroi.

Ne placez jamais la tireuse à bière au soleil.

Ne recouvrez jamais la tireuse à bière en fonctionnement par un autre objet.

La tireuse à bière doit être installée dans un endroit qui est à l'abri du vent, de la pluie, de projections d'eau ou de tout autre liquide. Avant de procéder au nettoyage et à l'entretien de la machine, assurez-vous que le câble d'alimentation est débranché. Si vous ne le faites pas, vous risquez une électrocution qui peut être mortelle.

Ne mettez pas la tireuse à bière ou le câble d'alimentation dans l'eau ou tout autre liquide.

N'utilisez pas de tissu rugueux ou de choses abrasives pour nettoyer la tireuse à bière.

Ne retirez pas le tonnelet de la tireuse à bière s'il n'est pas vide.

N'autorisez pas les enfants à utiliser la machine, à jouer avec ou à fouiller à l'intérieur.

Cet appareil peut être utilisé par des personnes dont les capacités physiques, sensorielles ou mentales sont réduites ou dont l'expérience ou les connaissances ne sont pas suffisantes, à condition qu'elles bénéficient d'une surveillance ou qu'elles aient reçu des instructions quant à l'utilisation de l'appareil en toute sécurité et qu'elles en comprennent bien les dangers potentiels.

Les enfants ne doivent pas jouer avec la tireuse à bière. Le nettoyage et l'utilisation de l'appareil ne doivent pas être effectués par des enfants à moins qu'ils soient âgés d'au moins huit ans et qu'ils soient surveillés.

Les enfants doivent être surveillés afin qu'ils ne jouent pas avec l'appareil.

Attention : ne rangez pas de substances explosives comme les bombes aérosols qui possèdent un gaz inflammable, dans la tireuse à bière.

Cet appareil peut être utilisé par des enfants âgés d'au moins 8 ans, à condition qu'ils bénéficient d'une surveillance ou qu'ils aient reçu des instructions quant à l'utilisation de l'appareil en toute sécurité et qu'ils comprennent bien les dangers encourus.

Le nettoyage et l'entretien par l'utilisateur ne doivent pas être effectués par des enfants, à moins qu'ils ne soient âgés de plus de 8ans et qu'ils soient sous la surveillance d'un adulte.

Conserver l'appareil et son câble hors de portée des enfants âgés de moins 8ans.

Lors de l'utilisation d'appareils électriques, des précautions de sécurité doivent toujours être prises pour prévenir tout risque d'incendie, de choc électrique et/ou de blessure en cas de mauvaise utilisation.

Vérifier que le voltage indiqué sur la plaque signalétique de l'appareil correspond bien à celui de votre installation électrique. Si ce n'est pas le cas, adressez-vous au revendeur et ne branchez pas l'appareil.

Votre appareil a été conçu pour un usage domestique seulement. Elle n'a pas été conçue pour être utilisée dans les cas suivants qui ne sont pas couverts par la garantie :

- dans des coins de cuisines réservés au personnel dans des magasins, bureaux et autres environnements professionnels,

- dans des fermes auberges,

- par les clients des hôtels, motels et autres environnements à caractère résidentiel,

- dans des environnements de type chambres d'hôtes.

Ne jamais laisser l'appareil sans surveillance lorsqu'il est en fonctionnement.

Veillez conserver ce document à disposition et le remettre au futur propriétaire en cas de cession de votre appareil.

L'appareil ne doit pas être utilisé s'il est tombé, s'il présente des signes évidents de dommages ou s'il présente des fuites.

COMMENT CHOISIR UN TONNELET

Seuls les tonnelets hermétiques Heineken de 5 litres conviennent.

Faites bien attention aux instructions de sécurité et de stockage.

Avant de l'acheter, vérifiez bien que le tonnelet n'est pas abimé et que la bière n'est pas périmée.

Placez le tonnelet dans un endroit froid, mais pas trop, pendant 12 heures (par exemple au réfrigérateur) avant de l'utiliser.

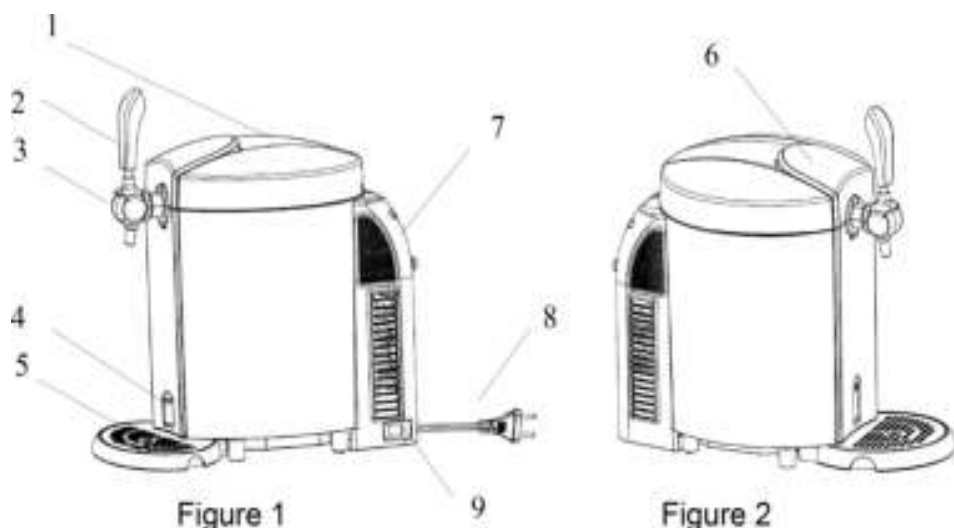
N'agitez pas le tonnelet avant de l'utiliser.

Ne placez pas le tonnelet au soleil.

RECOMMANDATIONS

Point	Description	Recommandation
1	Voltage	AC 220-240V/50Hz
2	Capacité	5 litres
3	Puissance	65W
4	Température	La plus basse température est de : 3~6°C (température ambiante : 22~24°C)
5	Niveau sonore	≤38 dB(A); (bruit ambiant ≤3dB(A))
6	Dimensions	(W)272*(D)414*(H) 446 mm
7	Poids net	5,8 ±0.5Kg
8	Aspect élégant en plastique	√
9	Système réfrigérant en aluminium	√
10	Réfrigération à base de semi-conducteurs	√
11	Système de réfrigération de l'eau	√
12	Système d'écoulement par gravité	√
13	Plateau d'évacuation amovible	√
14	Système de réfrigération	Isolation en polyuréthane Poids 300
15	Type climatique	N/SN

ÉLÉMENTS & CARACTÉRISTIQUES



1. Couverture	6. Bouton du couvercle
2. Manette du robinet	7. Protection arrière
3. Robinet	8. Câble d'alimentation
4. Commande du drain	9. Interrupteur
5. Plateau d'évacuation	

INSTALLATION & FONCTIONNEMENT

A. INSTALLATION

1. Retirez la tireuse à bière de son emballage. Placez la machine sur une surface plane et solide et assurez-vous qu'elle soit au moins à 10cm de tout autre appareil ou d'un mur afin que sa ventilation soit correcte et permette un bon fonctionnement.

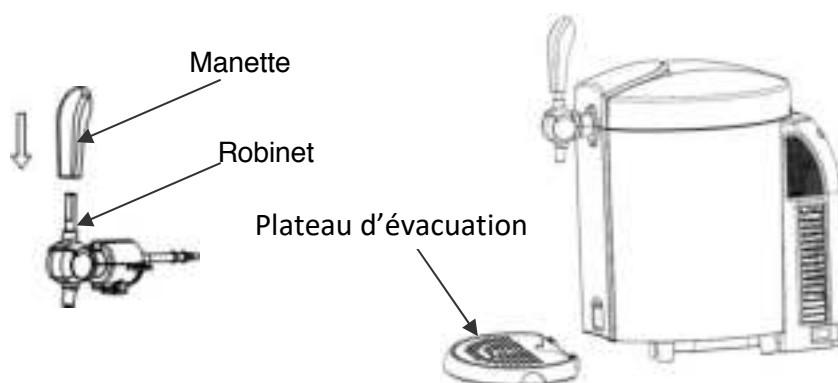


Figure 3

Figure 4

2. Installez la manette sur le robinet et vérifiez que les 2 pièces s'emboîtent parfaitement. (Voir figure 3)

3. Disposez le plateau d'évacuation dans son encoche. (Voir figure 4)

4. Ouvrez la tireuse à bière avec précaution.

Remarque : Si vos mains sont humides, ne manipulez pas le câble électrique. Avant de l'utiliser, vérifiez que le voltage correspond bien à celui de la prise de courant et que le câble est bien branché à l'appareil. Si ce n'est pas le cas, merci de différer son emploi et d'appeler le centre de dépannage.

5. Versez 800ml d'eau dans le réservoir de réfrigération jusqu'au repère maximum (Voir figure 5) (la tireuse à bière peut fonctionner sans eau mais le résultat est moins bon).

Remarque : Assurez-vous que la commande du drain est sur « Off » et qu'il n'y a pas d'objet dans le réservoir de réfrigération.

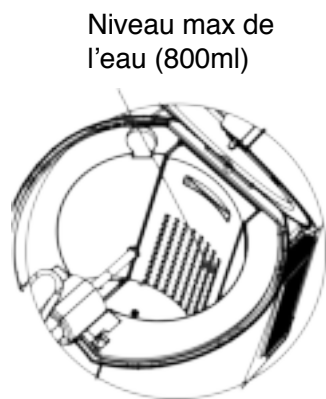


Figure 5

Vérifiez que la commande du drain est sur « OFF » position.

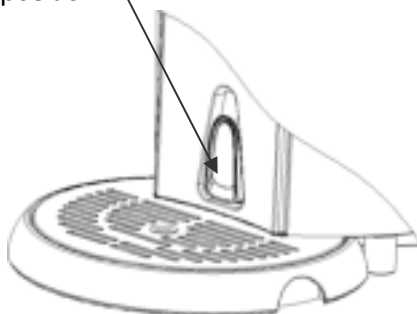
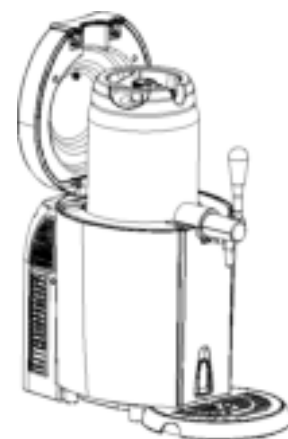


Figure 6



6. Placer le fût prêt à l'emploi dans le réservoir de l'appareil, raccorder le tuyau d'entrée au fût.

NOTES : Vérifier que le raccordement du système de vanne est correct et non endommagé. S'assurer que le robinet est en position fermée.

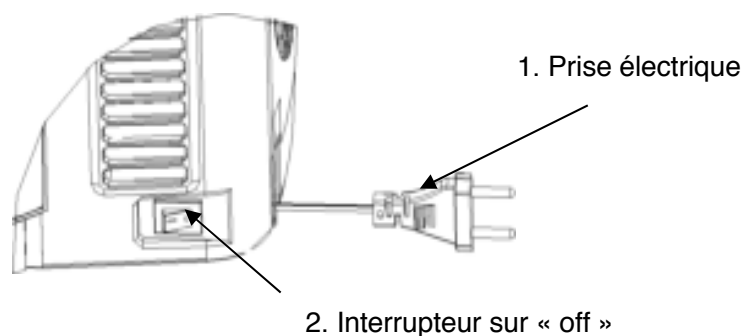
7. Branchez la tireuse à bière.

Remarque : Si vos mains sont humides, ne manipulez pas le câble électrique. Avant de l'utiliser, vérifiez que le voltage correspond bien à celui de la prise de courant et que le câble est bien branché à l'appareil. Si ce n'est pas le cas, merci de différer son emploi et d'appeler le centre de dépannage.

8. Refermez le couvercle de la tireuse à bière.

9. Allumez l'appareil en plaçant l'interrupteur sur la position « I » (« 0 » est la position éteinte)

REMARQUES : Assurez-vous que vos mains sont sèches lorsque vous faites fonctionner la tireuse à bière afin d'éviter une électrocution.



10. Il faut 19 à 21 heures pour refroidir la bière de 3 à 6°C quand la température ambiante 22 et 24°C. La température reste stable ensuite. Cependant, au début nous vous recommandons de refroidir le tonnelet de bière pendant au moins 12 heures au réfrigérateur avant de le mettre dans la tireuse à bière, particulièrement si la température ambiante excède 25°C.

11. Pour faire couler la bière, abaissez la manette du robinet et réglez le flux de bière ainsi que la quantité de bulles en ajustant la pression à l'aide de la molette.

Remarque : Nettoyez le verre avant d'y verser la bière ; si celle-ci ou le verre est chaud ou si la bière n'est pas assez froide, il se formera alors beaucoup de bulles.

12. Quand vous tirez la bière, penchez votre verre vers l'appareil puis redressez-le doucement à mesure du remplissage et ouvrez entièrement le robinet pour obtenir plus de bulles; il est recommandé de remplir la moitié du verre, faire une pause puis reprendre jusqu'à ce qu'il soit plein.

REMARQUES : ne plongez pas le bec verseur dans le verre pour éviter de faire trop de bulles. Rappelez-vous de bien remonter la manette quand le verre est plein.

1. Il est normal d'avoir plus de bulles pour les trois premiers verres de bière.

2. Il se produira un jet violent au moment de vider complètement le tonnelet.

B. Tonnelet Heineken

1. Le tuyau de raccordement Heineken qui se trouve dans la tireuse à bière s'adapte à tous les tonnelets Heineken de 5 litres. cependant, vous devez enlever l'élément de couleur verte du tonnelet à l'aide d'un tournevis pour pouvoir le brancher à la tireuse à bière.

2. Quand vous installez le nouveau raccord au tonnelet, vous devez d'abord fixer le tube à bière à la fois au raccord et au système de robinet puis fixer le raccord au tonnelet.

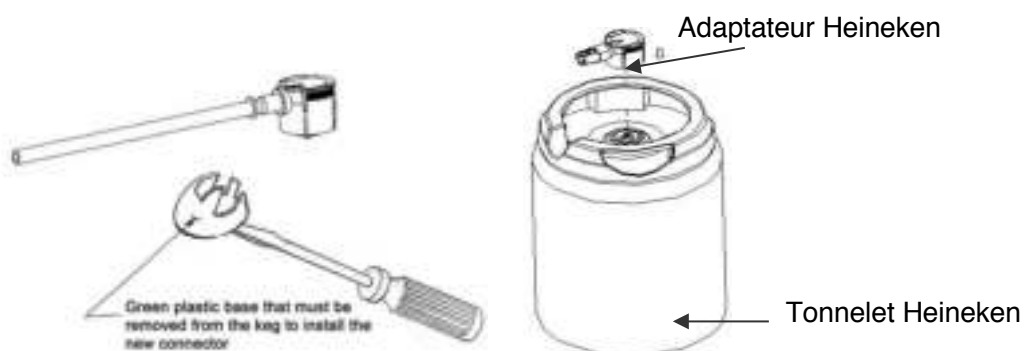


Figure 7

Figure 8

Remarque : Merci de retirer l'adaptateur Heineken en pressant des deux côtés comme indiqué par les flèches sinon vous abimerez la fixation. .

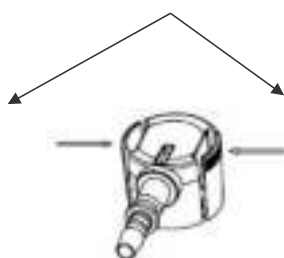


Figure 9



Figure 10

3. Allumez l'appareil en positionnant l'interrupteur sur la position « I » (« 0 » est la position éteinte) (Voir figure 11)

Remarque : Assurez-vous que vos mains sont sèches lorsque vous faites fonctionner la tireuse à bière afin d'éviter une électrocution.

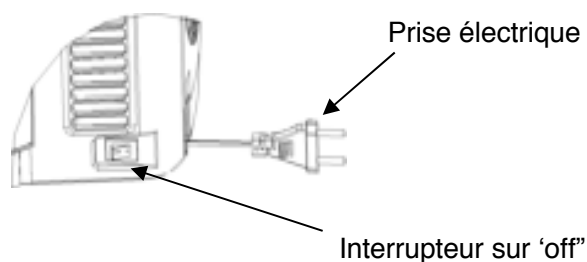


Figure 11

4. Il faut 19 à 21 heures pour refroidir la bière jusqu'à 3 à 6°C quand la température ambiante est entre 22 et 24°C. La température reste stable ensuite. cependant, au début nous vous recommandons de refroidir le tonnelet de bière pendant au moins 12 heures au réfrigérateur avant de le mettre dans la tireuse à bière, particulièrement si la température ambiante excède 25°C.

5. Pour faire couler la bière, abaissez la manette du robinet et réglez le flux de bière ainsi que la quantité de bulles en ajustant la pression à l'aide de la molette. (Voir figure 12)

Remarque : Nettoyez le verre avant d'y verser la bière ; si celle-ci ou le verre est chaud ou si la bière n'est pas assez froide, il se formera alors beaucoup de bulles.

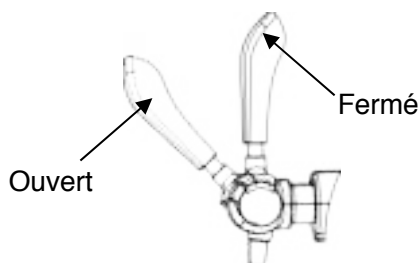


Figure 12

6. Quand vous tirez la bière, penchez votre verre vers l'appareil puis redressez-le doucement au fur et à mesure du remplissage et ouvrez entièrement le robinet pour obtenir plus de bulles. ; il est recommandé de remplir la moitié du verre, faire une pause puis reprendre jusqu'à ce plein.

Remarque : ne plongez pas le bec verseur dans le verre pour éviter de faire trop de bulles. Rappelez-vous de bien remonter la manette quand le verre est plein.

7. Il est normal d'avoir plus de bulles pour les trois premiers verres de bière.

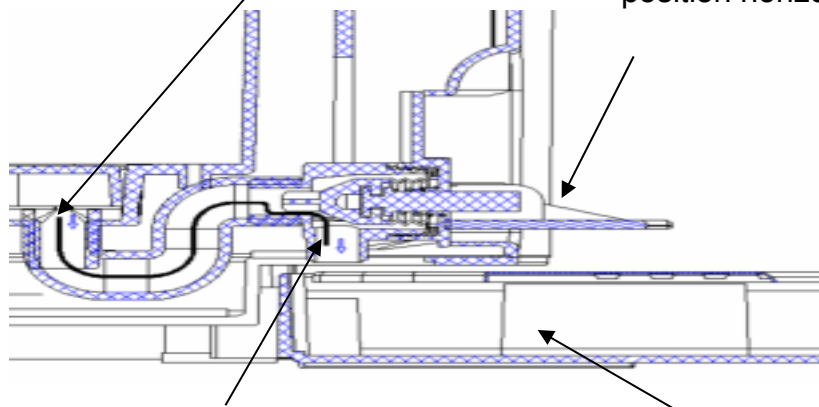
8. Il se produira un jet violent au moment de vider complètement le tonnelet.

C. REMPLACEMENT DE L'EAU DU RÉSERVOIR DE RÉFRIGÉRATION

Il est recommandé de changer l'eau chaque semaine.

En ouvrant la commande du drain, l'eau s'écoule par le tuyau en forme de S depuis cette extrémité

En déplaçant la commande du drain en position horizontale, l'eau s'écoulera



L'eau s'écoule dans le plateau depuis cette extrémité

Plateau d'évacuation

Figure 13

1. Ouvrez la commande du drain pour laisser l'eau s'écouler dans le plateau d'évacuation. Vérifiez qu'il est bien fixé à l'encoche afin d'éviter que l'eau ne se répande sur la table. Le plateau peut contenir 450ml d'eau.
2. Après avoir vidé le réservoir, fermez le drain puis rajoutez 800ml d'eau fraîche dans le réservoir.
3. Ouvrez de nouveau le drain (inclinez la commande vers l'avant de 90°), et laissez l'eau s'écouler dans le plateau d'évacuation. Répétez l'opération deux fois

Attention :

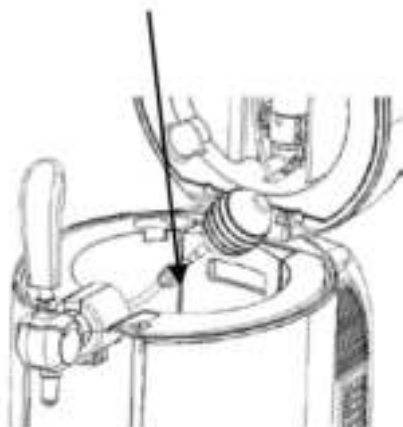
- 1) De l'eau propre est indispensable;
- 2) Vérifiez qu'il est bien fixé à l'encoche afin d'éviter que l'eau ne se répande sur la table
- 3) Le plateau peut contenir 400-500ml d'eau;

NETTOYAGE DU SYSTÈME DE ROBINET

La tireuse à bière doit être en conformité avec les exigences d'hygiène ; il faut la nettoyer avant sa première utilisation et après une longue période d'usage, à l'aide d'un chiffon sec. Par ailleurs, il est recommandé de la nettoyer des deux manières suivantes :

1. Versez de l'eau tiède dans le kit de nettoyage.
2. Pressez d'abord le kit pour nettoyer la pointe puis utilisez-le pour nettoyer le tube à bière. Il faut vider au moins trois kits pour que le tube soit propre. Lavez aussi le système de robinet. Remarque : Ouvrez le couvercle pendant l'opération.

Ce connecteur doit se connecter
avec la pompe de nettoyage






3. Avant le nettoyage, débranchez le cordon d'alimentation de la prise.

Attention :

Ne lavez jamais les éléments du robinet avec la machine à laver ou le lave-vaisselle.

N'utilisez pas de détergent, seulement de l'eau tiède ou purifiée

REPLACEMENT DES ÉLÉMENTS (Adaptateur en 3 parties)

NO.	Nom	QTÉ	Installation	Figure	Remarque
1	Adaptateur	3	Tube Heineken		1 jeu
2	Pompe de nettoyage	1			1 pcs
3	Tube à bière	1	Raccord rapide		1 pcs

REPLACEMENT DU TUBE À BIÈRE

Merci de remplacer le tube à bière s'il est endommagé et que la bière fuit.

1. Enlevez le couvercle, abaissez la manette du robinet pour retirer le tube.
2. Enlevez la fixation du robinet, puis dévissez le raccord rapide
3. Installez le nouveau tube à bière en suivant la procédure inverse.

Remarque : n'enlevez pas d'autres vis lors du remplacement car sinon vous risquez de provoquer des fuites de bière et de gaz.

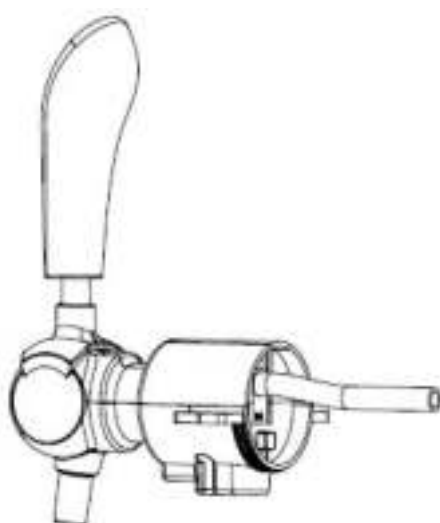


Figure 14

ENTRETIEN

Si la tireuse à bière ne fonctionne pas correctement, merci de contacter le service de dépannage. Afin de gagner du temps et de l'argent, consultez le guide de dépannage avant votre appel. Il regroupe une liste de causes mineures de pannes que vous pouvez réparer par vous-même.

Problème	Cause	Solution
Le robinet ne fonctionne pas/la bière ne coule pas	<ol style="list-style-type: none">1. Le raccordement du tube à bière est mauvais2. Il n'y a pas de tonnelet ou celui-ci est vide	<ol style="list-style-type: none">1. Modifiez le raccordement2. Remplacez le tonnelet
Il y a trop de bulles	<ol style="list-style-type: none">1. Tirage inadéquat de la bière2. La bière est trop chaude3. Le tonnelet a été secoué4. Le tonnelet est presque vide	<ol style="list-style-type: none">1. Modifiez la façon de tirer la bière2. Refroidissez la bière à 3- 6°C3. Retirez le tonnelet et laissez-le reposer4. Remplacez le tonnelet
La bière coule trop lentement	Le raccord ou le tube à bière a une fuite	Vérifiez s'il y a une fuite et dans ce cas remplacez la pièce

ENVIRONNEMENT

ATTENTION :



Vous ne devez pas vous débarrasser de cet appareil avec vos déchets ménagers. Un système de collecte sélective pour ce type de produit est mis en place par les communes, vous devez vous renseigner auprès de votre mairie afin d'en connaître les emplacements.

En effet, les produits électriques et électroniques peuvent contenir des substances dangereuses qui ont des effets néfastes sur l'environnement ou la santé humaine et doivent être recyclés. Le symbole ci-contre indique que les équipements électriques et électroniques font l'objet d'une collecte sélective, il représente une poubelle sur roues barrée d'une croix.

Adeva SAS / H.Koenig Europe - 8 rue Marc Seguin, 77290 Mitry-Mory, France
www.hkoenig.com - <https://sav.hkoenig.com> - Tél: +33 1 64 67 00 05

DEUTSCH

Bitte lesen Sie diese Bedienungsanleitung sorgfältig durch, bevor Sie das Gerät installieren und bedienen, und bewahren Sie diese als künftige Referenz auf.

EINFÜHRUNG

Das ist ein Haushaltsbierkühler, extra ausgestattet, um Bier frisch zu halten. Er bringt das Bier zur der besten Temperatur für eine kalte Lagerung (3 bis 6°C) innerhalb von 19-21 Stunden.

Der Bierkühler wird ein 5L Fass für einen praktisch unbegrenzten Zeitraum kühl halten. Dennoch empfehlen wir Ihnen, Ihr Bierfass vorerst für mindestens 12 Stunden in einem Kühlschranks abzukühlen, bevor Sie es in den Bierkühler setzen.

WICHTIGE SICHERHEITSANWEISUNGEN

In der Bedienungsanleitung zum Bierkühler haben wir viele wichtige Sicherheitshinweise zur Verfügung gestellt. Vor dem Gebrauch, bitte lesen und befolgen Sie alle Sicherheitsregeln; anschließend bewahren Sie die Bedienungsanleitung als künftige Referenz auf.

Sicherheitsanweisungen

- Vor dem Gebrauch, bitte überprüfen Sie, dass das Stromkabel richtig angeschlossen ist; wenn nicht, benutzen Sie das Gerät bitte nicht und rufen Sie das Servicezentrum an.
- Wenn das Stromkabel in jeglicher Weise beschädigt ist, darf es nur vom Hersteller, einer von ihm beauftragten Werkstatt oder einer ähnlich qualifizierten Person ersetzt werden, um Gefährdungen zu vermeiden.
- Vor dem Gebrauch, vergewissern Sie sich, dass der Stecker mit der Steckdose übereinstimmt; wenn nicht,

benutzen Sie das Gerät bitte nicht und rufen Sie das Servicezentrum an.

- Das Gerät nicht mit nassen Händen anschließen oder abklemmen.
- Platzieren Sie den Bierkühler auf eine trockene und waagerechte Fläche.
- Um eine ordnungsgemäße Belüftung für den Bierkühler zu ermöglichen, vergewissern Sie sich, dass dieser wenigstens 5 Inches/ 10 cm Platz an beiden Seiten hat, um eine korrekte Belüftung durchzuführen.
- Setzen Sie den Bierkühler nicht der direkten Sonneneinstrahlung aus.
- Decken Sie das Gerät im Betrieb nie ab.
- Installieren Sie den Bierkühler an einem vor solchen Witterungseinflüssen, wie zum Beispiel Wind, Regen, Wasserspritzen oder Tropfen, hinreichend geschütztem Ort.
- Bevor Sie Reinigungs- und Reparaturopoperationen durchführen, vergewissern Sie sich, dass das Stromkabel des Gerätes gezogen ist. Bei Nichtbeachtung besteht Gefahr eines elektrischen Schlags oder Lebensgefahr.
- Tauchen Sie nicht den Bierkühler oder den Stecker in Wasser oder andere Flüssigkeiten.
- Benutzen Sie kein grobes Tuch oder Scheuermittel, um den Bierkühler zu reinigen.
- Entnehmen Sie das Bierfass aus dem Bierkühler nicht, wenn es nicht komplett geleert ist.
- Erlauben Sie Kindern nicht, den Bierkühler zu bedienen, mit diesem zu spielen oder hinein zu kriechen.
- Dieses Gerät kann von Personen mit eingeschränkten körperlichen, sensorischen oder geistigen Fähigkeiten oder mangelnder Erfahrung und Kenntnis benutzt werden, vorausgesetzt, dass sie beaufsichtigt oder in der sicheren Benutzung des Gerätes unterwiesen werden und die möglichen Gefahren vollständig verstehen.

- Kinder müssen beaufsichtigt werden, um zu garantieren, dass sie mit dem Gerät nicht spielen.
- Warnung: Lagern Sie keine explosive Stoffe wie zum Beispiel Aerosoldosen mit den entzündlichen Treibgasen in diesem Gerät.
- Dieses Gerät darf von Kindern ab 8 Jahren benutzt werden, sofern diese beaufsichtigt werden oder eine Einweisung in den sicheren Gebrauch des Geräts erhalten haben und die damit verbundenen Gefahren verstehen.
- Kinder dürfen das Gerät nur reinigen oder pflegen, wenn sie mindestens 8 Jahre alt sind und von einem Erwachsenen beaufsichtigt werden.
- Bewahren Sie das Gerät und das zugehörige Netzkabel außerhalb der Reichweite von Kindern unter 8 Jahren auf.
- Bei der Verwendung elektrischer Geräte sind stets Sicherheitsvorkehrungen zu treffen, um bei unsachgemäßer Verwendung die Gefahr von Bränden, elektrischen Schlägen und/oder Verletzungen zu vermeiden.
- Achten Sie darauf, dass die auf dem Typenschild angegebene Nennspannung mit Ihrer Netzspannung übereinstimmt Ihrer Installation. Wenn dies nicht der Fall ist, wenden Sie sich an den Händler und schließen Sie das Gerät nicht an.
- Lassen Sie das Gerät während des Betriebs niemals unbeaufsichtigt.
- Bitte halten Sie dieses Dokument bereit und geben Sie es im Falle einer Übertragung Ihres Gerätes an den zukünftigen Besitzer weiter.
- Das Gerät darf nicht benutzt werden, wenn es fallen gelassen wurde, wenn auffällige Zeichen von Beschädigungen sichtbar sind oder wenn es undicht ist.
- Dieses Gerät darf von Kindern ab 8 Jahren benutzt werden, sofern diese beaufsichtigt werden oder eine

Einweisung in den sicheren Gebrauch des Geräts erhalten haben und die damit verbundenen Gefahren verstehen.

- Kinder dürfen das Gerät nur reinigen oder pflegen, wenn sie mindestens 8 Jahre alt sind und von einem Erwachsenen beaufsichtigt werden.
- Bewahren Sie das Gerät und das zugehörige Netzkabel außerhalb der Reichweite von Kindern unter 8 Jahren auf.
- Bei der Verwendung elektrischer Geräte sind stets Sicherheitsvorkehrungen zu treffen, um bei unsachgemäßer Verwendung die Gefahr von Bränden, elektrischen Schlägen und/oder Verletzungen zu vermeiden.
- Achten Sie darauf, dass die auf dem Typenschild angegebene Nennspannung mit Ihrer Netzspannung übereinstimmt Ihrer Installation. Wenn dies nicht der Fall ist, wenden Sie sich an den Händler und schließen Sie das Gerät nicht an.
- Lassen Sie das Gerät während des Betriebs niemals unbeaufsichtigt.
- Bitte halten Sie dieses Dokument bereit und geben Sie es im Falle einer Übertragung Ihres Gerätes an den zukünftigen Besitzer weiter.
- Das Gerät darf nicht benutzt werden, wenn es fallen gelassen wurde, wenn auffällige Zeichen von
- Beschädigungen sichtbar sind oder wenn es undicht ist.
- Ihr Gerät ist nur für den Hausgebrauch bestimmt. Es ist nicht für die Verwendung in den folgenden Situationen vorgesehen, die nicht von der Garantie abgedeckt sind:
 - - in Personalküchen in Geschäften, Büros und anderen professionellen Umgebungen,
 - - in Landgasthöfen,
 - - von Gästen in Hotels, Motels und anderen Wohnumgebungen,
 - - in Bed-and-Breakfast-Umgebungen.

- Das Gerät darf nicht benutzt werden, wenn es fallen gelassen wurde, wenn auffällige Zeichen von Beschädigungen sichtbar sind oder wenn es undicht ist.

WIE WÄHLEN SIE EIN FASS AUS

- Wählen Sie nur das versiegelte 5L Heineken Fass
- Beachten Sie genau die Sicherheits- und Lagerungsmeldungen über das Fass/ auf dem Fass.
- Vergewissern Sie sich vor dem Kauf, dass weder das Fass beschädigt noch das Bier abgelaufen ist.
- Bewahren Sie das Fass auf einem kühlen aber nicht zu kalten Platz für 12 Stunden (z.B. Kühlschrank) bis zum nächsten Gebrauch.
- Schütteln Sie das Fass nie vor dem Gebrauch.
- Setzen Sie das Bierfass nicht der direkten Sonneneinstrahlung aus.

SPEZIFIKATIONEN

Artikel	Beschreibung	Spezifikationen
1	Spannung	AC 220-240V/50Hz
2	Vorhandene Kapazität	5 Liter
3	Geschätzte Nennleistung	65W
4	Kühlleistung	Die niedrigste Temperatur im Fass: 3~6°C (Raumtemperatur 22~24°C)
5	Geräuschpegel	≤38dB(A); (Umgebungsgeräusch ≤3dB(A))
6	Dimensionen	(W)272*(D)414*(H)446mm
7	Nettogewicht	5.8±0.5Kg
8	Elegante Kunststofferscheinung	√
9	Aluminium - Kühleranlage	√
10	Halbleiter-Kühltechnologie	√
11	Wasserleitung- Kühlsystem	√
12	Manuales Drainage-Outfit	√
13	Abnehmbare Tropfschale	√
14	Cool-preservation System	PU-Isolierung / Gewicht 300±5g
15	Klimatyp	N/SN

TEILE & BESONDERHEITEN

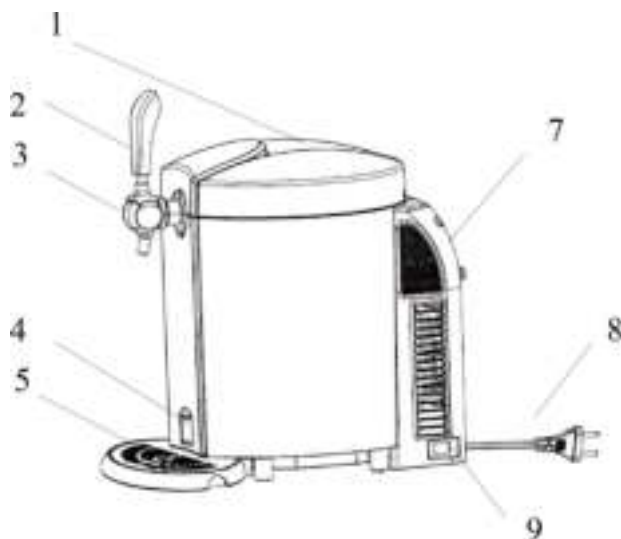


Abbildung 1



Abbildung 2

1. Deckel	6. Türverriegelungs- Knopf
2. Zapfhebel	7. Hintere Abdeckung
3. Zapfhahn	8. Netzkabel & Stecker
4. Abfluss-Schalter	9. AC Power -Schalter
5. Tropfschale	

INSTALLATION & BEDIENUNG

A. INSTALLATION

1. Entnehmen Sie den Bierkühler aus der Packung. Platzieren Sie den Bierkühler auf einer stabilen und waagerechten Fläche und vergewissern Sie sich, dass der Bierkühler wenigstens 5 Inches/ 10 cm Platz an beiden Seten hat, um eine korrekte Belüftung zu ermöglichen und eine bessere Leistung zu erzielen.

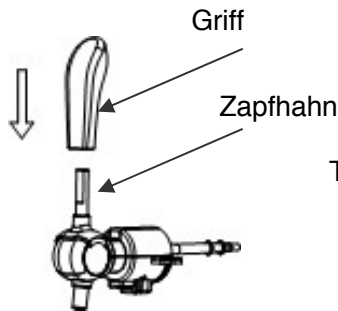


Abbildung 3

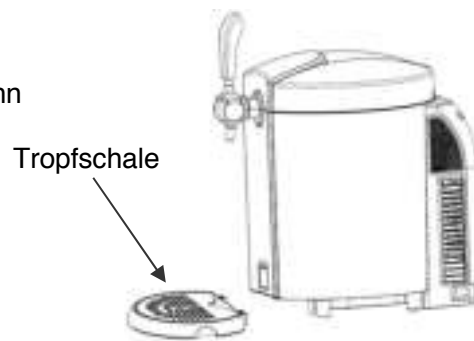


Abbildung 4

2. Schließen Sie den Griff an den Zapfhahn an, vergewissern Sie sich, dass die beiden Enden perfekt zusammenpassen. (wie auf der Abbildung 3 dargestellt)

3. Setzen Sie die Wassertropfschale in die vorgesehene Kerbe. (wie auf der Abbildung 4 dargestellt)

4. Öffnen Sie den Bierkühler mit 60-80N Stärke.

Hinweis: Das Gerät nicht mit nassen Händen anschließen oder abklemmen. Vor dem Gebrauch, vergewissern Sie sich, dass die Spannung mit den Stecker-Markierungen übereinstimmt und überprüfen Sie, ob der Netzstecker richtig angeschlossen ist. Wenn nicht, benutzen Sie das Gerät bitte nicht und rufen Sie das Servicezentrum an.

5. Fügen Sie 800 ml Wasser in den Kühlholraum hinzu oder schütten Sie Wasser bis zur MAX- Markierung.(wie auf der Abbildung 5 dargestellt)(Es funktioniert auch ohne Wasser, aber die beste Leistung kann nicht erbracht werden).

Hinweis: Vergewissern Sie sich, dass der Abfluss-Schalter sich in der Off-Position befindet, und es keine zusätzlichen Objekte im Kühlholraum gibt.

Der maximale Wasserstand
800 ml

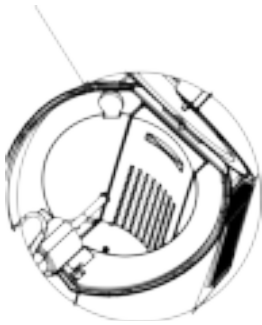


Abbildung 5

Vergewissern Sie
sich, dass der
Abfluss-Schalter
sich in der Off
Position befindet



Abbildung 6

6. Place the ready-to-use drum in the tank of the appliance, connect the inlet hose to the drum.

NOTES: Check that the connection of the valve system is correct and undamaged. Make sure that the tap valve is in the closed position.

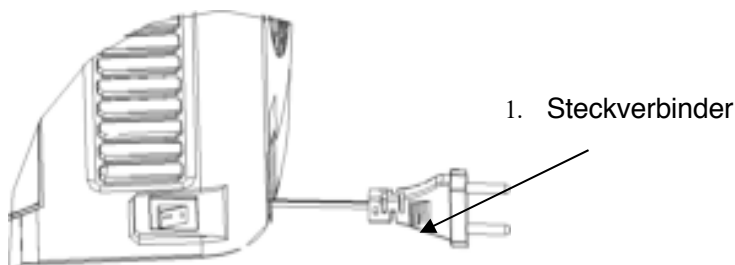
7. Stecken Sie den Bierkühlerstecker in eine Steckdose. Hinweis: Das Gerät nicht mit nassen Händen anschließen oder abklemmen. Vor dem Gebrauch, vergewissern Sie sich, dass die Spannung mit den Stecker-Markierungen übereinstimmt und überprüfen Sie, ob der Netzstecker richtig angeschlossen ist. wenn nicht, benutzen Sie das Gerät bitte nicht und rufen Sie das Servicezentrum an.



8. Schließen Sie den Deckel des Bierkühlers.

9. Drehen Sie den Power-Schalter in die "I" Position auf dem Bierkühler. (Die "0" Position steht für Ausschalten)

HINWEISE: Bitte vergewissern Sie sich, dass Ihre Hände trocken sind, wenn Sie den Bierkühler bedienen, um das Risiko eines Stromschlages zu vermeiden.



2. Der Schalter ist in der Off-Position

10. Es wird 19-21 Stunden dauern, das Bier bis zu 3-6 °C bei der 22-24°C Umgebungstemperatur zu kühlen. Und er kann die Temperatur halten. Dennoch empfehlen wir Ihnen, Ihr Bierfass vorerst für mindestens 12 Stunden in einem Kühlschrank abzukühlen, bevor Sie es in den Bierkühler setzen, besonderes wenn die Umgebungstemperatur höher als 25 °C ist.

11. Um das Bier zu zapfen, ziehen sie den Zapfhahn-Mechanismus herunter; Sie können auch den Druckregelknopf einstellen, um die Bierdurchflussmenge und den Bierschaum zu regulieren;

Hinweis: Reinigen Sie das Glas, bevor Sie Bier zapfen; wenn das Bier oder die Biergläser eine hohe Temperatur haben oder das Bier nicht kühl genug ist, gibt es in der Regel viel Schaum beim zapfen.

12. Beim Bierzapfen , lehnen Sie Ihr Bierglas gegen den Ausguss und richten es langsam mit der Steigung des Biers aus. Am Ende öffnen Sie den Zapfhahn-Mechanismus komplett, um die Entstehung von Schaum zu vermeiden; Es ist empfehlenswert, das Glas halbvoll zu machen, und erst nach einer kurzen Pause den Rest des Glases zu füllen.

HINWEISE: Tauchen Sie nie den Ausguss in das Bier , um die Entstehung von Schaum zu vermeiden; Vergessen Sie nicht, den Zapfhahn nach dem Zapfen zu verriegeln.

13. Es ist normal, beim Zapfen von den ersten 3 Gläsern viel Schaum zu haben.

14. Es kann einen scharfen und starken Strahl geben, wenn Sie das letzte Glas des Fasses zapfen.

B. Heineken Fass

1. Der Ihrem Bierkühler beiliegende Heineken Steckverbinder ist mit allen Heineken 5 Liter Fässern kompatibel. Dennoch müssen Sie einen Flachsraubenzieher benutzen, um die grüne Grundlage von dem Fass zu entfernen und den neuen Steckverbinder installieren zu können, der schon mit dem Bierkühler bereitgestellt ist.

2. Beim Installieren eines neuen Steckverbinders, fangen Sie mit dem Anschließen von einem Ende des klaren Bierrohres an den Steckverbinder an, während das andere Ende an den Zapfhahn-Mechanismus angeschlossen werden muss; dann montieren Sie den Steckverbinder an das Heineken-Fass.



Abbildung 7

Abbildung 8

Hinweis: Bitte entnehmen Sie den Heineken Adapter von beiden Seiten; Drücken Sie , wie es mit den Pfeilen gezeigt ist, sonst kann der Verschluss beschädigt werden.

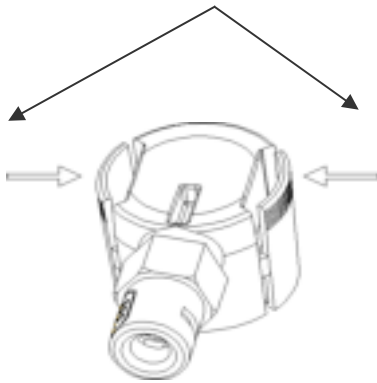


Abbildung 9



Bier- Steckverbinder

Abbildung 10

3. Drehen Sie den Power-Schalter in die "I" Position auf dem Bierkühler. (Die "0" Position steht für Ausschalten)(wie auf der Abbildung 11 dargestellt)

HINWEISE: Bitte vergewissern Sie sich, dass Ihre Hände trocken sind, wenn Sie den Bierkühler bedienen, um das Risiko eines Stromschlages zu vermeiden.

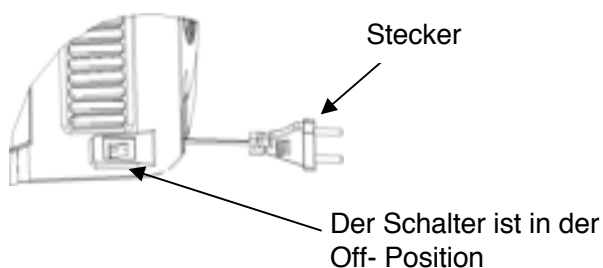


Abbildung 11

4. Es wird 19-21 Stunden dauern, das Bier bis zu 3-6 °C bei der 22-24°C Umgebungstemperatur zu kühlen. Und er kann die Temperatur halten. Dennoch empfehlen wir Ihnen, Ihr Bierfass vorerst für mindestens 12 Stunden in einem Kühlschrank abzukühlen, bevor Sie es in den Bierkühler setzen, besonderes wenn die Umgebungstemperatur höher als 25 °C ist.

5. Um das Bier zu zapfen, ziehen sie den Zapfhahn-Mechanismus herunter; Sie können auch den Druckregelknopf einstellen, um die Bierdurchflussmenge und den Schaum zu regulieren (wie auf der Abbildung 12 dargestellt);

Hinweis: Reinigen Sie das Glas, bevor Sie Bier zapfen; wenn das Bier oder Biergläsern eine hohe Temperatur haben oder das Bier nicht kühl genug ist, gibt es in der Regel viel Schaum beim Zapfen.

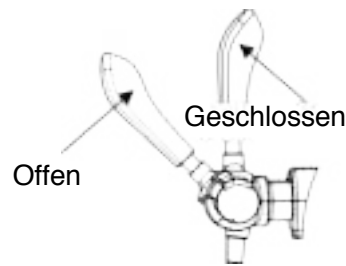


Abbildung 12

6. Beim Bierzapfen , lehnen Sie Ihr Bierglas gegen den Ausguss und richten Sie es langsam mit der Steigung des Biers aus. Am Ende öffnen Sie den Zapfhahn-Mechanismus komplett, um die Entstehung von Schaum zu vermeiden; Es ist empfehlenswert, das Glas halbvoll zu machen, und erst nach eine kurze Pause den Rest des Glases zu füllen.

Hinweis: Tauchen Sie nie den Ausguss in das Bier , um die Entstehung von Schaum zu vermeiden; Vergessen Sie nicht, den Zapfhahn nach dem Zapfen zu verriegeln.

7. Es ist normal, beim Zapfen der ersten 3 Gläser viel Schaum zu haben.

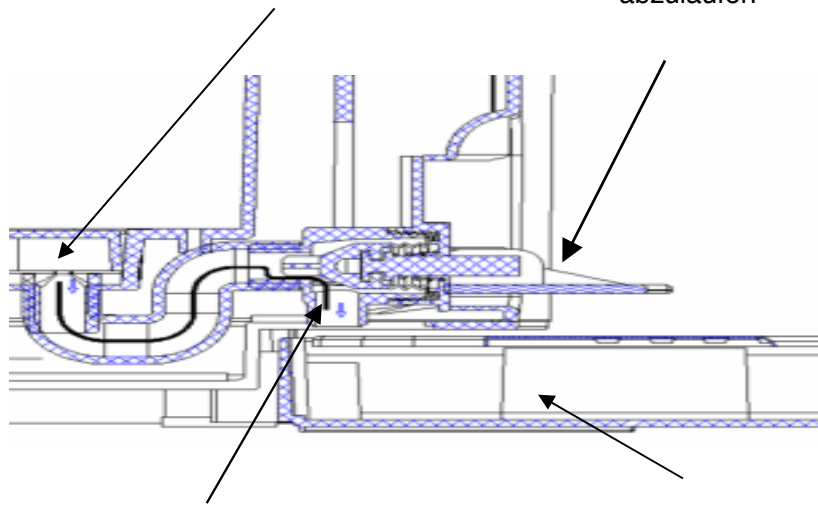
8. Es kann einen scharfen und starken Strahl geben, wenn Sie das letzte Glas des Fasses zapfen.

c. WASSER IN DEM KÜHLHOHLRAUM AUSTAUSCHEN.

Es ist empfehlenswert, das Wasser im Hohlraum ein Mal die Woche auszutauschen.(Sie brauchen das Wasser für jedes Fass nicht zu wechseln, ein Mal die Woche ist ausreichend)

Öffnen Sie den Abfluss-Schalter,
Wasser fließt in das S-förmige
Abflussrohr aus diesem Ende

Wenn Sie den Abfluss- Schalter
zu der waagerechten Linie
ziehen, fängt Wasser an,
abzulaufen



Wasser fließt in die Tropfschale
aus diesem Ende

Tropfschale

Abbildung 13

1. Öffnen Sie den Abfluss-Schalter , um das Wasser aus dem Hohlraum in die Tropfschale ablaufen zu lassen. Vergewissern Sie sich, dass die Tropfschale in die Kerbe gut passt, um das Verschütten des Wassers auf den Tisch zu vermeiden; Die Tropfschale kann 450 ml Wasser beinhalten;
2. Nachdem das ganze Wasser abgelaufen ist, schließen Sie den Abfluss-Schalter und schütten 800 ml frisches Wasser in den Hohlraum.
3. Öffnen Sie den Abfluss-Schalter (ziehen Sie den Schalter nach vorne im 90 Grad Winkel), und lassen das Wasser aus dem Hohlraum wieder ablaufen. Der Vorgang muss zwei Mal wiederholt werden.

Warnung:

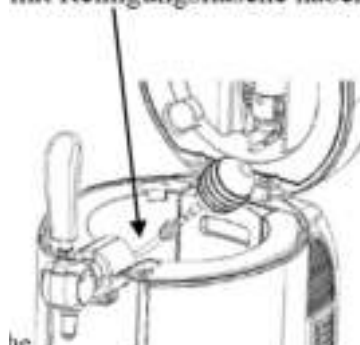
- 1) Das Wasser muss sauber sein;
- 2) Vergewissern Sie sich, dass die Tropfschale in die Kerbe gut passt, um das Verschütten des Wassers auf den Tisch zu vermeiden;
- 3) Die Tropfschale kann 450 ml Wasser beinhalten

REINIGUNG DES BIERZAPFHAHN- MECHANISMUS

Die Nutzung des Bierkühlers muss mit den hygienische Anforderungen übereinstimmen. Vor dem ersten Gebrauch und für weitere Nutzung, reinigen Sie die ganze Maschine mit einem trockenen Tuch. Ansonsten sind die folgenden zwei Weisen empfohlen:

1. Füllen Sie das Reinigungsset mit warmen Wasser.
2. Verbinden sie das Ende des durchbohrenden Zylinders, drücken Sie das Wasser in den Zylinder, um den Zylinderrohr zu reinigen, danach drücken sie das Wasser aus dem Bierrohr auf dem anderen Ende. Wiederholen Sie den Reinigungsvorgang, bis das Bierrohr sauber ist (man braucht mindestens 3 Flaschen warmes Wasser); bitte, reinigen Sie den Bierzapfhahn- Mechanismus. Hinweis: Öffnen Sie bitte den Zapfhahn vor der Reinigung.

Dieser Anschluss muss eine
Verbindung
mit Reinigungsflasche haben






3. Vor der Reinigung trennen Sie den Stecker von der Steckdose.

Warnung:

Reinigen Sie nie die Teile des Mechanismus in der Wasch- oder Spülmaschine;

Verwenden Sie kein chemischen Reinigungsmittel, um die Teile zu reinigen; warmes oder gereinigtes Wasser ist empfohlen.

ERSATZTEILE WECHSELN (3 Teil- Heineken Adapter)

Nr.	Name	Quant	Montage	Figure	Anmerkung
1	Adapter	3	Heineken Becher		1 Set
2	Reinigungspumpe	1			1Stück
3	Bierleitung	1	Schnellanschluss		1Stück

BIERLEITUNG WECHSELN

Bitte ersetzen Sie die Bierleitung wenn diese beschädigt ist und eine Leckage verursacht.

1. Entfernen Sie den Deckel, lassen Sie dabei den Zapfhahngriff auf die Seite vom Bierabfluss gerichtet, wenn Sie die Leitung entfernen.
2. Entfernen Sie die Zapfhahn-Klammer und drehen Sie den Schnellanschluss heraus.
3. Montieren Sie die neue Bierleitung sinngemäß in umgekehrter Reihenfolge

Hinweis: Entfernen Sie keine anderen Schrauben, wenn Sie die Leitung ersetzen, andernfalls kann es zu einer Bier- oder Gasleckage führen.

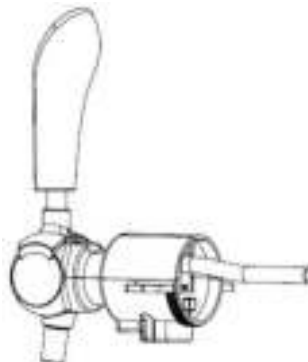


Abbildung 14

WARTUNG

Wenn der Bierkühler nicht ordnungsgemäß funktioniert, rufen Sie bitte das Servicezentrum an; Um Ihre Zeit und Ihr Geld zu sparen, schauen Sie sich die Anleitung zur Problemlösung an, bevor Sie den Service anrufen. Diese listet Gründe von den kleinen Betriebsproblemen auf, die Sie selber beheben können.

Problem	Grund	Problemlösung
Der Zapfhahn funktioniert nicht/ kann kein Bier zapfen.	<ol style="list-style-type: none">1. Die Bierleitung ist nicht richtig verbunden.2. Es gibt kein Fass, oder kein Bier im Fass;	<ol style="list-style-type: none">1. Befestigen Sie die Vergussleitung2. Wechseln Sie das Fass
Es entsteht zu viel Schaum.	<ol style="list-style-type: none">1. Sie zapfen Bier falsch ein2. Die Biertemperatur ist zu hoch (die optimalste ist 3-6°C)3. Das Fass wurde vor dem Gebrauch stark geschüttelt4. Es gibt kaum Bier in dem Fass	<ol style="list-style-type: none">1. Zapfen Sie Bier in der richtigen Weise.2. Kühlen Sie das Bier bis 3- 6°C ab3. Stellen Sie das Fass zur Seite bis kein Schaum drin bleibt.4. Ersetzen Sie das Fass
Bier fließt zu langsam	Die Verbindungsleitung oder die Bierleitung hat eine Leckage	Überprüfen Sie, ob die Leitung eine Leckage hat, wenn ja, ersetzen Sie diese.

UMWELT

ACHTUNG :



Werfen Sie nicht dieses Produkt, wie es mit anderen Haushaltsprodukten hat. Es gibt eine Mülltrennung von diesem Produkt in Gemeinden, Sie müssen Ihre lokalen Behörden über die Orte, wo man dieses Produkt zurückgeben können zu informieren.

In der Tat enthalten elektrische und elektronische Produkte gefährliche Stoffe, die schädliche Auswirkungen auf die Umwelt oder die menschliche Gesundheit haben und sollte recycelt werden. Das Symbol hier darauf hinweisen, dass elektrische oder elektronische Geräte sollten sorgfältig ausgewählt werden, ist ein fahrbarer Abfallbehälter mit einem Kreuz markiert.

Adeva SAS / H.Koenig Europe - 8 rue Marc Seguin, 77290 Mitry-Mory, France
www.hkoenig.com - <https://kundenservice.hkoenig.com> - Tél: +33 1 64 67 00 05

NEDERLANDS

Lees zorgvuldig de handleiding door voor installatie en gebruik, en bewaar het voor toekomstig gebruik.

INTRODUCTIE

Dit is een thuis beer tap, die zorgt dat het bier koel blijft. Het koelt het bier op de beste temperatuur voor koude opslag (3 tot 6°C) in 19-21 uur.

De biertap houdt het 5L vaatje koud voor bijna een onbeperkte periode. Wij adviseren echter om eerst het vaatje in de koelkast te koelen voor minstens 12 uur voor het in de beer tap te plaatsen.

BELANGRIJKE VEILIGHEIDSINSTRUCTIES

We hebben veel belangrijke veiligheidsinstructies in de handleiding voor de beer tap. Voor gebruik, eerst alle veiligheids- en gebruiksregels doorlezen en opvolgen; bewaar de handleiding op een veilige plek voor toekomstig gebruik.

Veiligheidsinstructie

Voor gebruik, eerst controleren of de stroomkabel goed contact maakt; zo niet, dan niet gebruiken en bel de klantenservice;

Als de kabel is beschadigd moet het worden vervangen door de fabrikant, service monteur of een gelijkwaardig gekwalificeerd persoon om gevaar te vermijden.

Voor gebruik, eerst controleren of de stekker goed contact maakt in het stopcontact; zo niet, dan niet gebruiken en bel de klantenservice;

Raak de stekker niet aan met natte handen.

Plaats de bier tap op een droog en horizontaal oppervlak.

Om genoeg ventilatie voor de bier tap te verzekeren, plaats de bier tap met minstens 5 inches / 10 cm ruimte aan beide zijden, zodat er genoeg ventilatie is.

Plaats de bier tap niet in het zonlicht.

Bedek de bier tap nooit als het in gebruik is door een ander voorwerp.

De bier tap moet geplaatst worden in een ruimte beschermd van de elementen, zoals wind, regen, waternevel of druppels.

Voordat er begonnen wordt met het schoonmaken en onderhoud, wees er zeker van dat de stroomkabel is los gemaakt. Als dit niet gebeurt, dan kan er een elektrische schok of dood volgen.

Plaats de bier tap of de stroomkabel niet in water of een andere vloeistof.

Gebruik geen ruwe doek, bijtende middelen om de bier tap af te vegen.

Haal het vaatje niet uit de bier tap als het bier nog niet helemaal op is.

Sta nooit toe kinderen de bier tap te gebruiken, mee te spelen of erin te kruipen.

Dit apparaat kan worden gebruikt door personen met verminderde fysieke, zintuiglijke of mentale vermogens of met gebrek aan ervaring of kennis, op voorwaarde dat zij onder toezicht staan of instructies hebben gekregen over het veilige gebruik van het apparaat en dat zij de mogelijke gevaren volledig begrijpen.

Kinderen moeten onder toezicht blijven om te verzekeren dat ze niet met het apparaat spelen.

Waarschuwing: Sla geen explosieve substanties zoals spuitbussen met een ontvlambaar drijfgas in dit apparaat.

Dit apparaat mag worden gebruikt door kinderen vanaf 8 jaar en ouder indien dit gebeurt onder toezicht, als zij van tevoren instructies hebben ontvangen betreffende het veilige gebruik van het apparaat en als zij de mogelijke gevaren kennen.

Reiniging en onderhoud mogen niet worden uitgevoerd door kinderen tenzij ze 8 jaar of ouder zijn en onder toezicht van een volwassene staan.

Houd het apparaat en het snoer buiten bereik van kinderen onder de 8 jaar.

Bij het gebruik van elektrische apparatuur moeten altijd veiligheidsmaatregelen worden genomen om het risico van brand, elektrische schokken en/of letsel in geval van verkeerd gebruik te voorkomen.

Controleer of de spanning op het typeplaatje overeenkomt met de spanning die op het typeplaatje staat van uw installatie. Als dit niet het geval is, neem dan contact op met de dealer en sluit het apparaat niet aan.

Laat het apparaat nooit onbeheerd achter terwijl het in bedrijf is.

Bewaar dit document bij de hand en geef het aan de toekomstige eigenaar in geval van overdracht van uw apparaat.

Het apparaat mag niet worden gebruikt als het is gevallen, er zijn duidelijke tekenen van schade zichtbaar of er zijn lekken.

Uw apparaat is uitsluitend ontworpen voor huishoudelijk gebruik. Het is niet bedoeld voor gebruik in de volgende

situaties, die niet onder de garantie vallen:

- in personeelskeukens in winkels, kantoren en andere professionele omgevingen,
- in boerderijherbergen,
- door gasten in hotels, motels en andere residentiële omgevingen,
- in bed & breakfast-omgevingen.

HOE EEN VAATJE KIEZEN

Alleen verzegelde 5L Heineken vaatjes mogen worden gebruikt.

Let goed op de veiligheid en opslag mededelingen over het vat / op het vat.

Controleer of het vat niet beschadigd is en het bier niet over de datum is voor aankoop.

Houd het vat koud voor 12 uur, maar niet op een te koude plaats (bv. koelkast) tot het volgend gebruik.

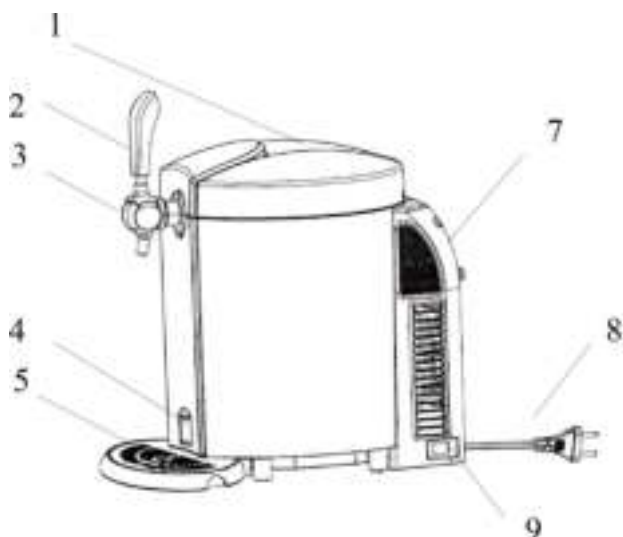
Nooit met het vaatje schudden

Plaats vaatje niet in het zonlicht

SPECIFICATIES

Item	Beschrijving	Specificatie
1	Voltage	AC 220-240V/50Hz
2	Beschikbare capaciteit	5 liter
3	Vermogen in gebruik	65W
4	Koel prestatie	De laagste temperatuur in het vat: 3~6°C(kamer temperatuur 22~24°C)
5	Geluidsniveau	≤38dB(A); (omgevingsgeluid ≤3dB(A))
6	Afmetingen	(B)272*(L)414*(H)446mm
7	Netto gewicht	5.8±0.5Kg
8	Elegant plastic uiterlijk	√
9	Alu. radiator systeem	√
10	Halfgeleider koeling technologie	√
11	Water conductie koeling systeem	√
12	Handmatige afwatering	√
13	Losse water opvangbak	√
14	Koeling isolatie systeem	PU isolatie / Gewicht 300+5g
15	Klimaat type	N/SN

ONDERDELEN & OPTIES



Figuur 1



Figuur 2

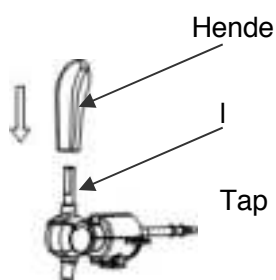
1. Deksel
2. Tap hendel
3. Tap
4. Aftap knop
5. Opvangbak

6. Deksel sluit knop
7. Achterste kap
8. Stroomkabel & stekker
9. AC aan/uit schakelaar

INSTALLATIE & GEBRUIK

A. INSTALLATIE

1. Haal de bier tap uit de verpakking. Plaats de bier tap op een stevig en horizontaal oppervlak en verzeker dat de bier tap minstens 5 inches/10 cm ruimte heeft van andere apparaten of de muur aan beide zijden, om te zorgen voor een correcte ventilatie, voor een betere prestaties.



Figuur 3



Figuur 4

2. Installeer de tap hendel op de tap, wees er zeker van dat het goed past. (Zoals Figuur 3)

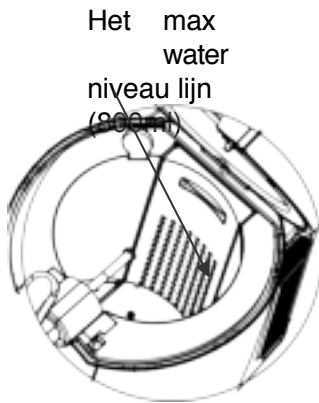
3. Plaats de opvangbak in de inkeping. (Zoals Figuur 4)

4. Open de bier tap met 60-80N kracht.

Notitie: Raak de stekker niet aan met natte handen. Voor gebruik, eerst controleren of het voltage voldoet aan de eisen en of de stroomkabel goed contact maakt; zo niet, dan niet gebruiken en bel de klantenservice;

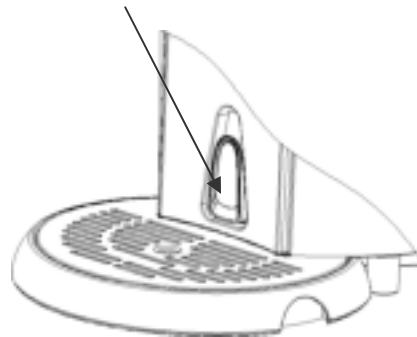
5. Plaats 800ml water in de koelingsruimte of vul water bij tot de max streep (Zoals Figuur 5) (Het werkt ook zonder water werken, maar geeft niet de beste prestatie)

Notitie: Controleer dat de aftap knop op "Off" staat en er geen objecten in de koelingsruimte zitten.



Figuur 5

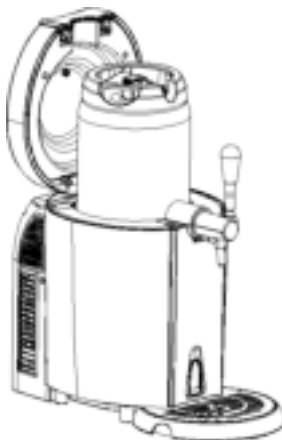
Controleer dat de aftap knop op "Off" staat.



Figuur 6

6. Plaats de kant-en-klare trommel in de tank van het apparaat, sluit de inlaatslang aan op de trommel.

OPMERKINGEN: Controleer of de aansluiting van het ventielsysteem correct en onbeschadigd is. Zorg ervoor dat de kraan in de gesloten stand staat.



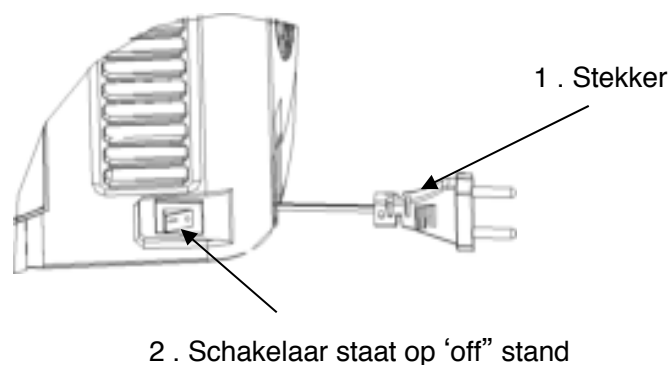
7. Steek de stekker in het stopcontact.

Notitie: Raak de stekker niet aan met natte handen. Voor gebruik, eerst controleren of het voltage voldoet aan de eisen en of de stroomkabel goed contact maakt; zo niet, dan niet gebruiken en bel de klantenservice.

8. Sluit de deksel van de bier tap.

9. Zet de aan/uit schakelaar op de "I" stand op de bier tap aan te zetten. (Met de "0" stand kunt u hem uit zetten).

OPMERKINGEN: Wees er zeker van dat uw handen droog zijn als u de bier koeler gebruikt, om elektrische schokken te vermijden.



10. Het duurt ongeveer 19-21 uur om het bier naar 3-6°C te koelen bij 22-24 °C Kamer temperatuur. En het houdt die temperatuur vast. Wij adviseren echter om eerst het vaatje in de koelkast te koelen voor minstens 12 uur voor het in de bier tap te plaatsen, helemaal als de kamertemperatuur hoger is dan 25°C.

11. U kunt bier schenken door de bier hendel naar voren te bewegen en u kunt de druk regulatie knop instellen voor de stroomsnelheid van het bier en het schuim; Notitie: Maak het glas schoon voor gebruik; als het bier of het bierglas te warm is, of het bier niet koud genoeg, komt er veel schuim bij het tappen.

12. Tijdens het tappen, houd het glas schuin tegen de schenktuit en langzaam steeds rechter als het bier in het glas stijgt, open vervolgens de tap hendel helemaal om schuim te vermijden; Het wordt aangeraden eerst halfvol te tappen en na een pauze af te vullen. **OPMERKINGEN:** Nooit de schenktuit in het bierglas dompelen om veel schuim te voorkomen; Vergeet niet de tap te stoppen als het tappen klaar is.

13. Het is normaal om meer schuim te hebben in de eerste 3 glazen bier.

14. Er zal een harde en snelle straal komen tijdens het tappen van het laatste glas bier van het vat.

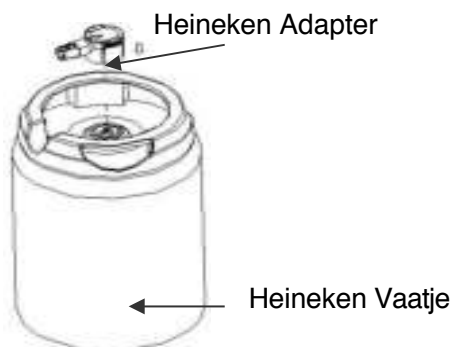
B. Heineken Vaatje

1. De Heineken connector is meegeleverd met uw bier tap werkt met alle 5L Heineken vaatjes. U heeft echter wel een platte schroevendraaier nodig om het groene plaatje van het vaatje te verwijderen, om daarna de nieuwe connector te installeren, meegeleverd bij de bier tap.

2. Bij het installeren van een nieuwe connector op het Heineken vaatje, eerst de doorzichtige bier slang vast maken aan de connector, het andere einde aan de tap, vervolgens de connector op het vaatje plaatsen.

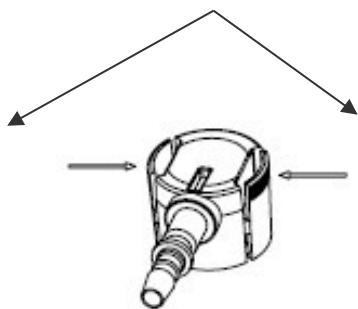


Figuur 7

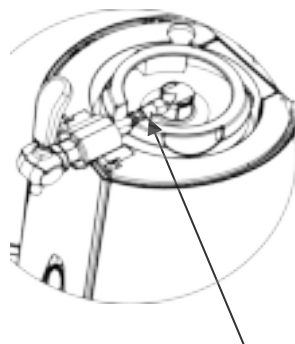


Figuur 8

Notitie: Haal de Heineken Adapter er voorzichtig uit, druk volgens pijltjes, anders kan de sluiting beschadigd raken



Figuur 9

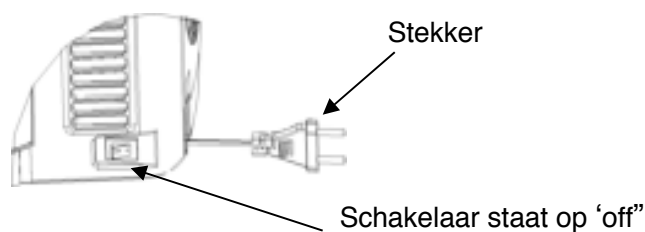


Bier connector

Figuur 10

3. Zet de aan/uit schakelaar op de "I" stand op de bier tap aan te zetten. (Met de "0" stand kunt u hem uit zetten)(Zoals figuur 11).

Notitie: Wees er zeker van dat uw handen droog zijn als u de bier koeler gebruikt, om elektrische schokken te vermijden.

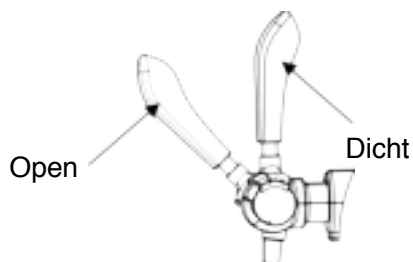


Figuur 11

4. Het duurt ongeveer 19-21 uur om het bier naar 3-6°C te koelen bij 22-24 °C Kamer temperatuur. En het houdt die temperatuur vast. Wij adviseren echter om eerst het vaatje in

de koelkast te koelen voor minstens 12 uur voor het in de bier tap te plaatsen, helemaal als de kamertemperatuur hoger is dan 25°C.

5. U kunt bier schenken door de bier hendel naar voren te bewegen en u kunt de druk regulatie knop instellen voor de stroomsnelheid van het bier en het schuim (Zoals figuur 12); **Notitie:** Maak het glas schoon voor gebruik; als het bier of het bierglas te warm is, of het bier niet koud genoeg, komt er veel schuim bij het tappen;



Figuur 12

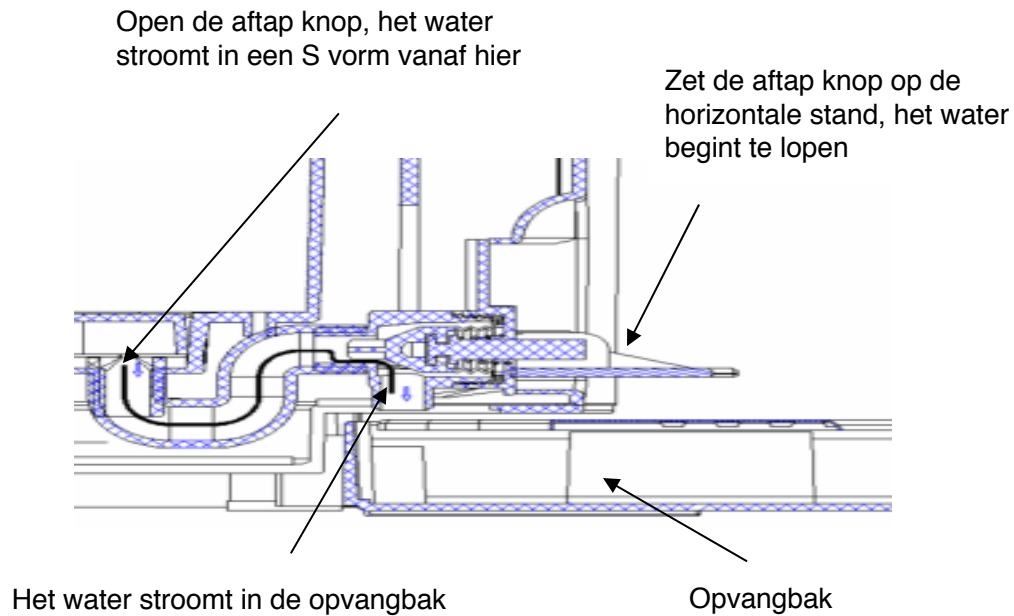
6. Tijdens het tappen, houd het glas schuin tegen de schenktuit en langzaam steeds rechter als het bier in het glas stijgt, open vervolgens de tap hendel helemaal om schuim te vermijden; Het wordt aangeraden eerst halfvol te tappen en na een pauze af te vullen. **Notitie:** Nooit de schenktuit in het bierglas dompelen om veel schuim te voorkomen; Vergeet niet de tap te stoppen als het tappen klaar is.

7. Het is normaal om meer schuim te hebben in de eerste 3 glazen bier.

8. Er zal een harde en snelle straal komen tijdens het tappen van het laatste glas bier van het vat.

C. VERVANG HET WATER IN DE KOELINGSRUIMTE

Het wordt aanbevolen om iedere week het water te vervangen. (Het is niet nodig het water te vervangen bij ieder vat, eens per week wordt aanbevolen)



Figuur 13

1. Open de aftap knop om het water in de koelingsruimte in de opvangbak te laten lopen. Controleer dat de opvangbak goed geplaatst is om geknoei met water te vermijden; de opvangbak kan 450ml water opvangen;
2. Als al het water eruit is gelopen, sluit de aftap knop en doe 800ml vers water in de ruimte.
3. Open de aftap knop (draai de schakelaar 90 graden om) en laat het water in de opvangbak lopen. Dit moet tweemaal gebeuren om al het water eruit te halen.

Waarschuwing:

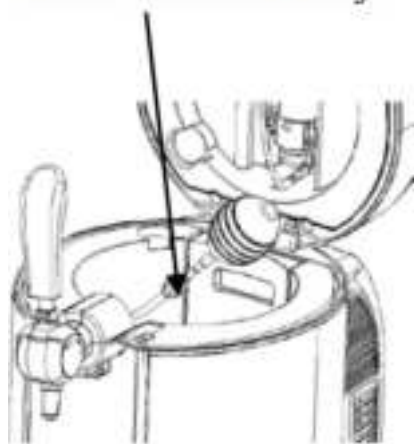
- 1) Schoon water is noodzakelijk;
- 2) Controleer dat de opvangbak goed geplaatst is om geknoei met water te vermijden;
- 3) De opvangbak kan 400-500ml water opvangen;

BIER TAP MECHANISME SCHOONMAAK

De biertap moet voldoen aan hoge hygiënische eisen, het moet worden schoongemaakt als het een tijd niet gebruikt is, maak de hele machine schoon met een droge doek. Verder is er nog een aanbevolen 2 stappen plan:

1. Vul warm water in de schoonmaak kit.
2. En verbindt het einde van de prikkende pin, druk het water in de pin om de pin slang schoon te maken en druk het water door de bier slang aan de andere kant. Herhaal dit schoonmaak werk totdat de bier slang schoon is (minstens 3 flessen warm water nodig); maak het tap mechanisme schoon. Notitie: Zet de tap los tijdens het schoonmaken.

This verbinder must connect
with Schoonmaak flesje






3. Voor het schoonmaken de stekker uit het stopcontact halen.

Waarschuwing:

Nooit de mechanische delen van de tap in een vaatwasser doen. Nooit chemische middelen gebruiken om onderdelen schoon te maken, warm of gezuiverd water wordt aanbevolen.

ONDERDELEN VERVANGEN (3 onderdelen Heineken adapter)

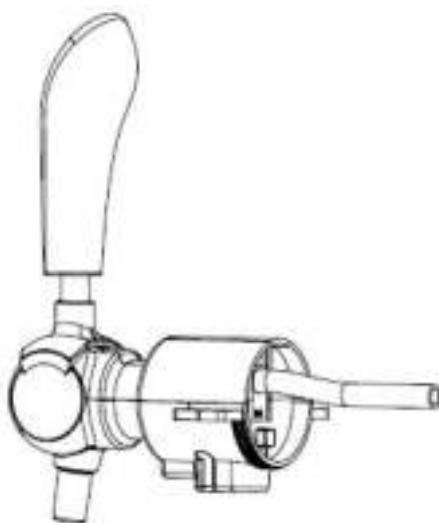
NO.	Naam	Aant	Plaatsing	Figuur	Notitie
1	Adapter	3	Heineken vat		1set
2	Reinigingspomp	1			1stuk
3	Bier slang	1	Snelle connector		1stuk

BIER SLANG VERVANGEN

Vervang de bier slang als de bier slang is beschadigd en er bier lekt.

1. Verwijder de deksel, zet de hendel in de stand als er bier getapt wordt en verwijder de slang.
2. Verwijder de tap clip en draai dan de snelle connector los.
3. Installeer de nieuwe bier slang volgens de omgekeerde procedure.

Notitie: Draai niet aan andere schroeven tijdens het vervangen van de slang, dit kan leiden tot bier of gas lekkage.



Figuur 14



ONDERHOUD

Als de bier tap niet goed werkt, bel de klantenservice;
Om tijd en geld te besparen, voordat u belt, bekijk de Probleemoplossing Gids. Hier staan een aantal kleine problemen die u zelf kunt oplossen.

Probleem	Oorzaak	Probleemoplossing
De tap werkt niet / er komt geen bier uit	<ol style="list-style-type: none">1. De bier slang is niet goed aangesloten2. Geen vat of een leeg vat;	<ol style="list-style-type: none">1. Sluit de slang goed aan2. Sluit een nieuw vat aan
Te veel schuim	<ol style="list-style-type: none">1. U tapt verkeerd2. De bier temperatuur is te hoog (optimaal is 3-6°C)3. Het vat is geschud voor plaatsing4. Het vat is bijna leeg	<ol style="list-style-type: none">1. Tap op de juiste manier2. Laat het bier koelen tot 3-6°C3. Zet het vat weg totdat er geen bubbels meer in zitten.4. Sluit een nieuw vat aan
Het bier stroomt te langzaam	De connector slang of bier lang heeft een lek	Controleer of de slang lekt, zo ja, vervang de slang.

MILIEU

ATTENTIE :

 Dit apparaat mag niet met uw ander huishoudelijke toestellen worden verwijderd. Dit product moet op een geselecteerde stortplaats verwijderd worden. U kunt  bij de gemeente een indiceerde plaats aanvragen. Elektrisch en elektronische producten kunnen gevaarlijke stoffen inhouden die schadelijk zijn voor mensen en het milieu en moet recycled worden. Het symbool aan de kant geeft aan dat het een elektrisch en elektronisch toestel is en zijn dus artikelen van een selectieve collectie. Het beeld geeft een afvalbak met een X teken aan.

Adeva SAS / H.Koenig Europe - 8 rue Marc Seguin, 77290 Mitry-Mory, France
www.hkoenig.com - <https://en.hkoenig.com> - Tél: +33 1 64 67 00 05

ESPAÑOL

Lea atentamente el manual de instrucciones antes de instalar y utilizar el dispensador, y guárdelo para referencia futura.

INTRODUCCIÓN

Este es un dispensador de cerveza de uso doméstico, equipado para mantener la cerveza fría. En este dispensador, la cerveza alcanza la temperatura ideal para su consumo (3 a 6°C) en unas 19-21 horas.

El dispensador mantendrá frío al barril de 5 L durante un largo período. Sin embargo, le sugerimos que primero enfríe el barril de cerveza en su freezer por al menos 12 horas antes de llevarlo al dispensador.

INSTRUCCIONES IMPORTANTES DE SEGURIDAD

En este manual de instrucciones le proporcionamos varias medidas de seguridad importantes sobre el dispensador de cerveza. Antes de utilizarlo, lea y respete todas las medidas de seguridad y las instrucciones de uso; y guarde el manual en un lugar seguro para referencia futura.

Instrucciones de seguridad

Antes de utilizar el dispensador, verifique que el cable de alimentación esté bien conectado; en caso contrario, no lo utilice y contacte al centro de asistencia;

Si el cable de alimentación está dañado, este debe ser reemplazado por el fabricante, su agente de servicios técnicos o un especialista similar para evitar riesgos. Antes de utilizar el dispensador, verifique que el enchufe sea compatible con el tomacorriente; en caso contrario, no lo utilice y contacte al centro de asistencia;

No conecte ni desconecte el enchufe eléctrico con las manos mojadas.

Coloque el dispensador sobre una superficie horizontal, firme y seca.

Para garantizar que el dispensador tenga la ventilación adecuada, asegúrese de dejar un espacio mínimo de 5 pulgadas/ 10 cm alrededor de todo el aparato para facilitar la circulación de aire.

Nunca instale el dispensador de cerveza bajo la luz del sol. Nunca cubra el dispensador de cerveza con ningún otro objeto mientras esté en funcionamiento.

El dispensador de cerveza se debe instalar en un lugar protegido de elementos naturales como el viento, la lluvia, el rocío o goteos.

Antes de proceder con acciones de limpieza y mantenimiento, verifique que el cable de alimentación del dispensador esté desconectado. De no hacerlo, corre el riesgo de electrocución o muerte.

No sumerja el dispensador de cerveza ni el cable de alimentación en agua o cualquier otro líquido. No use paños ásperos ni agentes abrasivos para limpiar el dispensador de cerveza.

No saque el barril de cerveza del dispensador mientras no se haya bebido toda la cerveza en su interior.

Nunca permita que los niños utilicen, jueguen con o se adentren en el dispensador de cerveza.

Este aparato puede ser utilizado por personas con capacidades físicas, sensoriales o mentales reducidas o con falta de experiencia o conocimientos, siempre que sean supervisadas o instruidas en el uso seguro del aparato y que entiendan perfectamente los peligros potenciales.

Los niños deben ser supervisados para garantizar que no jueguen con el aparato.

ADVERTENCIA: No utilice este dispensador para almacenar sustancias explosivas tales como latas de aerosol con contenidos inflamables.

Este aparato puede ser utilizado por niños de al menos 8

años de edad, siempre que cuenten con supervisión y hayan recibido instrucciones sobre el uso seguro del electrodoméstico y sean plenamente conscientes de los peligros que implica.

La limpieza y mantenimiento de la máquina no debe ser efectuada por niños a menos que tengan como mínimo 8 años de edad y cuenten con la supervisión de un adulto. Mantenga el aparato y su cable eléctrico fuera del alcance de niños de menos de 8 años.

Al utilizar equipos eléctricos, siempre se deben tomar precauciones de seguridad para evitar el riesgo de incendio, descarga eléctrica y/o lesiones en caso de uso indebido. Asegúrese de que la tensión nominal de la placa de características corresponde a la tensión de red de su instalación. Si no es así, póngase en contacto con el distribuidor y no conecte la unidad.

Al utilizar equipos eléctricos, siempre se deben tomar precauciones de seguridad para evitar el riesgo de incendio, descarga eléctrica y/o lesiones en caso de uso indebido. Por favor, tenga este documento a mano y entréguelo al futuro propietario en caso de transferencia de su dispositivo. El dispositivo no debe utilizarse si se ha caído, si hay signos evidentes de daño o si hay fugas.

Su aparato ha sido diseñado únicamente para uso doméstico. No ha sido diseñado para ser utilizado en las siguientes situaciones que no están cubiertas por la garantía:

- en áreas de cocina para el personal en tiendas, oficinas y otros entornos profesionales,
- en albergues agrícolas,
- en hoteles, moteles y otros entornos residenciales,
- en entornos de tipo bed and breakfast.

El dispositivo no debe utilizarse si se ha caído, si hay signos evidentes de daño o si hay fugas.

ELECCIÓN DEL BARRIL

Este dispensador solo admite barriles Heineken sellados de 5 L.

Preste especial atención a las informaciones que vienen escritas en el barril sobre su almacenamiento y protección.

Antes de comprar el barril verifique que no presente ningún tipo de daño y que la cerveza no esté vencida.

Mantenga el barril en un lugar algo frío (pero no tan frío como un freezer) por 12 horas antes de su próximo uso.

Nunca sacuda el barril antes de utilizarlo.

Nunca coloque el barril de cerveza bajo la luz del sol.

ESPECIFICACIONES

Ítem	Descripción	Especificación
1	Alimentación	Corriente alterna 220-240V/50Hz
2	Capacidad disponible	5 Litros
3	Potencia nominal	65 W
4	Nivel de refrigeración	Menor temperatura en el barril: 3-6°C; (temperatura ambiente: 22-24°C)
5	Nivel de ruido	≤ 38 dB (A); (ruido ambiental ≤ 3 dB (A))
6	Dimensiones	Ancho ´ Profundidad ´ Altura: 272 ´ 414 ´ 446 mm
7	Peso neto	5,8 ± 0,5 kg
8	Apariencia de plástico elegante	√
9	Sistema radiador de aluminio	√
10	Tecnología de refrigeración por semiconductor	√
11	Sistema de refrigeración por conducción de agua	√
12	Equipo de drenaje manual	√
13	Bandeja desmontable para el goteo de agua	√
14	Sistema de conservación de frío	Aislante de PU / Peso: 300 ± 5 g
15	Clase climática	N/SN

PIEZAS Y CARACTERÍSTICAS

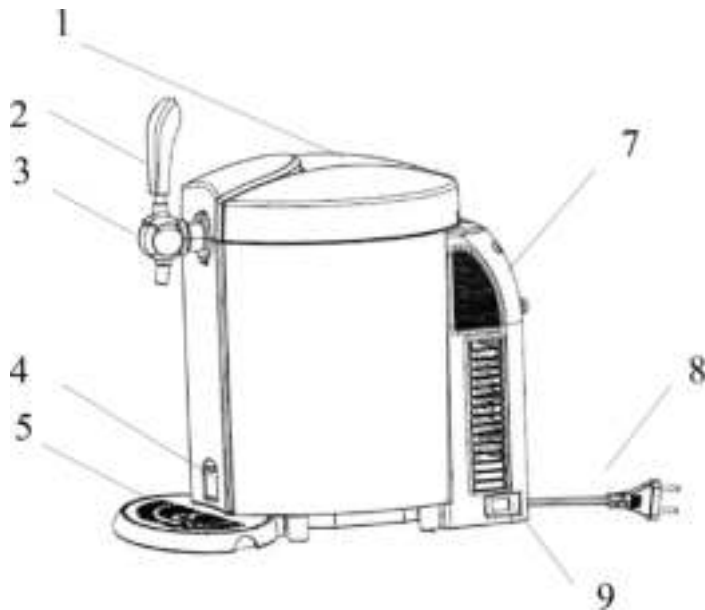


Figura 1



Figura 2

1. Cubierta superior
2. Tirador del grifo
3. Grifo
4. Interruptor del drenaje
5. Bandeja de goteo

6. Botón de bloqueo de la cubierta
7. Cubierta trasera
8. Cable de alimentación y enchufe
9. Interruptor de alimentación AC

INSTALACIÓN Y FUNCIONAMIENTO

A. INSTALACIÓN

1. Saque el dispensador de cerveza de su embalaje. Colóquelo sobre una superficie horizontal estable y asegúrese de dejar una separación mínima de 5 pulgadas / 10 cm entre el aparato y cualquier otro artefacto o pared a su alrededor. Esto permite una adecuada circulación de aire por el aparato y se obtiene un mejor rendimiento.

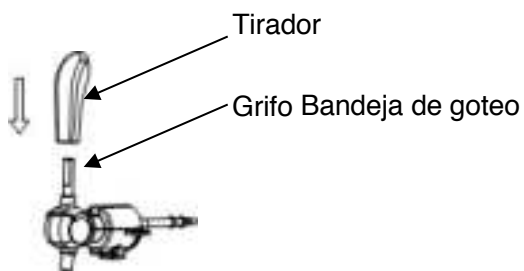


Figura 3

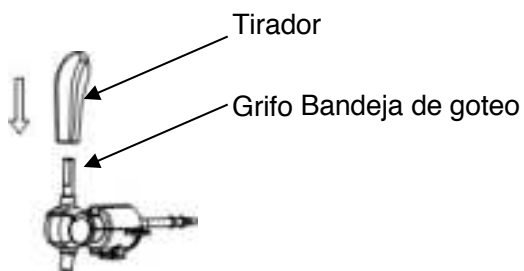


Figura 4

2. Acople el tirador del grifo al conector del grifo, asegúrese de que ambos extremos encajen a la perfección (como se muestra en la Figura 3).
3. Inserte la bandeja de goteo en las ranuras correspondientes en la base del dispensador (como se muestra en la Figura 4).
4. Abra el dispensador con una fuerza de 60-80 N en el botón de bloqueo. **NOTA:** No conecte ni desconecte el enchufe con las manos mojadas. Antes de usar el aparato,

verifique que el voltaje se corresponda con el indicado en el enchufe y compruebe que el cable de alimentación esté bien conectado; de no estarlo, no lo utilice y contacte al centro de asistencia;

5. Coloque 800 mL de agua en la cavidad de enfriamiento o vierta agua hasta la marca máxima (como se muestra en la Figura 5). (El aparato puede trabajar sin agua, pero no mostraría el mejor rendimiento)

NOTA: Compruebe que el interruptor del drenaje esté en la posición "OFF" y que la cavidad de enfriamiento esté libre de objetos externos.

Marca del nivel máximo de agua (800 mL)

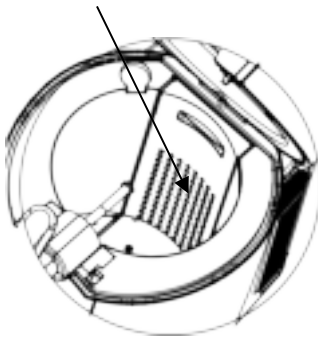


Figura 5

Asegúrese de que el interruptor del drenaje esté en la posición "OFF".

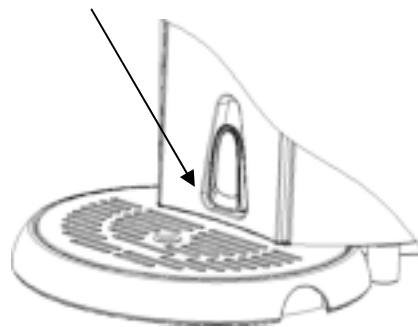
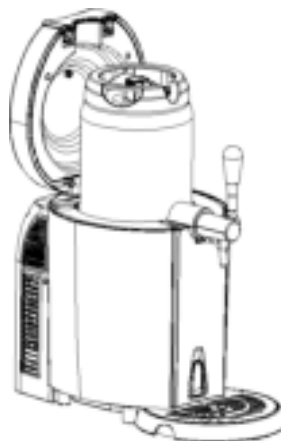


Figura 6

6. Coloque el tambor listo para usar en el depósito del aparato, conecte la manguera de entrada al tambor.

NOTAS: Compruebe que la conexión del sistema de válvulas sea correcta y no esté dañada. Asegúrese de que la válvula del grifo esté en posición cerrada



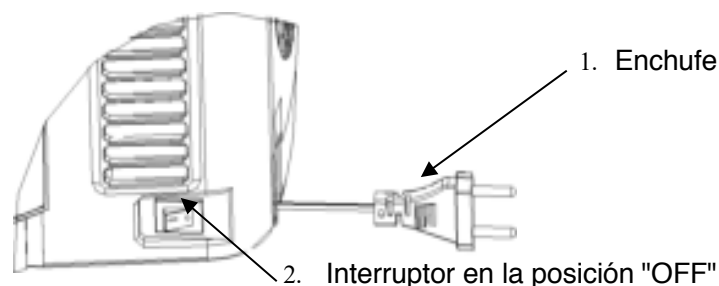
7. Enchufe el dispensador de cerveza al tomacorriente.

NOTA: No conecte ni desconecte el enchufe con las manos mojadas. Antes de usar el aparato, verifique que el voltaje se corresponda con el indicado en el enchufe y compruebe que el cable de alimentación esté bien conectado; de no estarlo, no lo utilice y contacte al centro de asistencia;

8. Cierre la cubierta superior del dispensador de cerveza.

9. Cambie el interruptor de alimentación a la posición "I" para poner el dispensador en funcionamiento (la posición "0" es para apagarlo).

NOTA: Le reiteramos que debe tener las manos bien secas cuando esté manipulando el dispensador, para evitar una descarga eléctrica.



10. Tomará 19-21 horas para que la cerveza se enfríe hasta 3-6°C a una temperatura ambiente de 22-24°C y mantendrá esa temperatura por mucho tiempo. No obstante, le sugerimos enfriar su barril de cerveza en el freezer por al menos 12 horas antes de colocarlo en el dispensador, especialmente cuando la temperatura ambiente sobrepase los 25°C.

11. Para verter la cerveza tire del mecanismo del grifo (tirador) hacia abajo. Puede ajustar la perilla del regulador de presión para controlar el caudal de cerveza y la cantidad de espuma; **NOTA:** Limpie el vaso antes de echar la cerveza; si la cerveza o el vaso/copa están a altas temperaturas o si la cerveza no está fría lo suficiente, se forma demasiada espuma al tirar la cerveza.

12. Mientras tira la cerveza, incline su vaso contra la boquilla del grifo y vaya enderezándolo lentamente a medida que sube la cerveza, luego abra el mecanismo del grifo por completo para evitar el exceso de espuma; se recomienda verter medio vaso y hacer una breve pausa antes de verter el resto de la cerveza.

NOTA: Para evitar el exceso de espuma, nunca sumerja la boquilla del grifo en el vaso de cerveza; recuerde cerrar el grifo cuando llene su vaso.

13. El exceso de espuma es normal en las tres primeras copas de cerveza.

14. Se producirá un chorro fino de alta velocidad cuando tire el último vaso de cerveza del barril.

B. Barril de cerveza Heineken

1. El conector Heineken que viene con su dispensador de cerveza es compatible con todos los barriles Heineken de 5 Litros. Sin embargo, debe utilizar un destornillador de pala para retirar la base plástica verde del barril y que pueda instalar el nuevo conector que se facilita con su dispensador.

2. Para instalar el nuevo conector en el barril Heineken, primero debe acoplar un extremo de la manguera transparente para la cerveza en el conector y su otro extremo en el mecanismo del grifo, luego instale el conector en el barril Heineken.



Base plástica verde que debe removerse del barril para instalar el nuevo conector

Figura 7

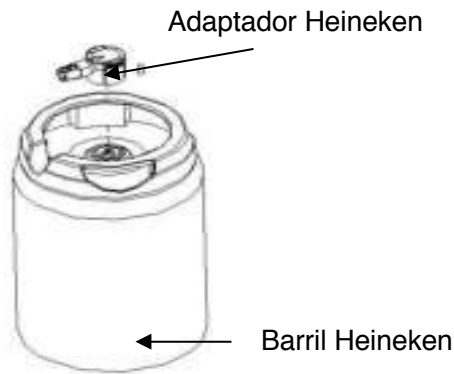


Figura 8

Nota: Retire el adaptador Heineken con sus vías de colección. Presiónelo en el sentido que indican las flechas, de cualquier otra forma podría dañar el cierre.

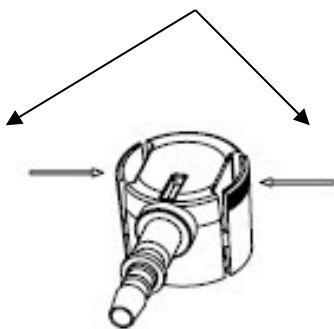
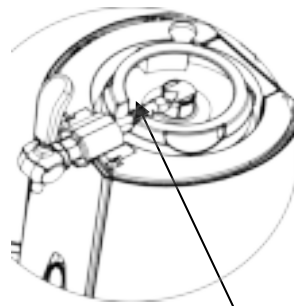


Figura 9



Conector de la cerveza

Figura 10

3. Cambie el interruptor de alimentación a la posición "I" para poner el dispensador en funcionamiento (la posición "0" es para apagarlo). (Como se muestra en la Figura 11).

NOTA: Le reiteramos que debe tener las manos bien secas cuando esté manipulando el dispensador, para evitar una descarga eléctrica.

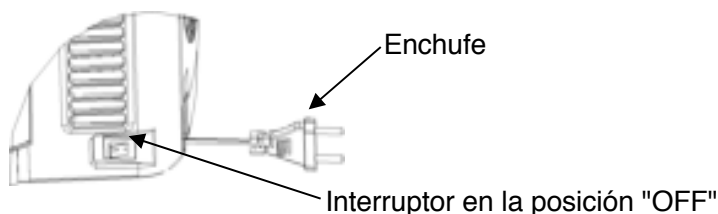


Figura 11

4. Tomará 19-21 horas para que la cerveza se enfríe hasta 3-6°C a una temperatura ambiente de 22-24°C y mantendrá esa temperatura por mucho tiempo. No obstante, le sugerimos enfriar su barril de cerveza en el freezer por al menos 12 horas antes de colocarlo en el dispensador, especialmente cuando la temperatura ambiente sobrepase los 25°C.

5. Para verter la cerveza tire del mecanismo del grifo (tirador) hacia abajo. Puede ajustar la perilla del regulador de presión para controlar el caudal de cerveza y la cantidad de espuma (como se muestra en la Figura 12);

NOTA: Limpie el vaso antes de echar la cerveza; si la cerveza o el vaso/copa están a altas temperaturas o si la cerveza no está fría lo suficiente, se forma demasiada espuma al tirar la cerveza.

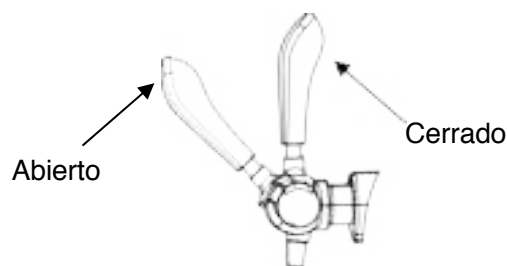


Figura 12

6. Mientras tira la cerveza, incline su vaso contra la boquilla del grifo y vaya enderezándolo lentamente a medida que sube la cerveza, luego abra el mecanismo del grifo por completo para evitar el exceso de espuma; se recomienda verter medio vaso y hacer una breve pausa antes de verter el resto de la cerveza.

NOTA: Para evitar el exceso de espuma, nunca sumerja la boquilla del grifo en el vaso de cerveza; recuerde cerrar el grifo cuando llene su vaso.

7. El exceso de espuma es normal en las tres primeras copas de cerveza.

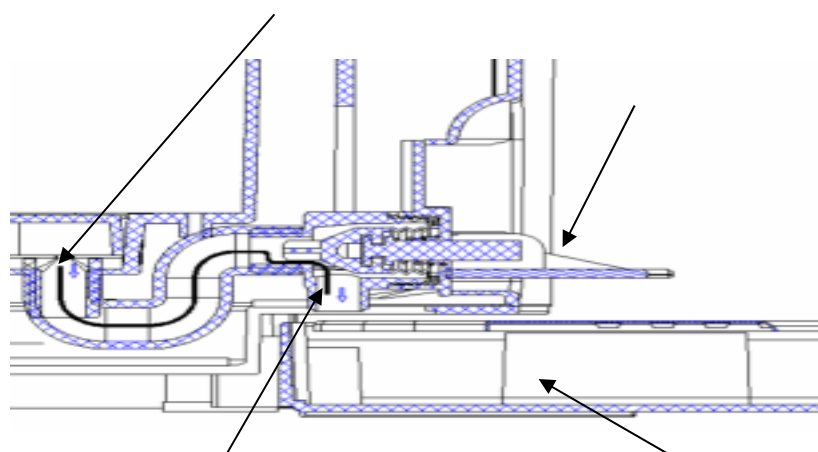
8. Se producirá un chorro fino de alta velocidad cuando tire el último vaso de cerveza del barril.

C. REEMPLAZO DEL AGUA EN LA CAVIDAD DE ENFRIAMIENTO

Se recomienda reemplazar el agua en el interior de la cavidad una vez por semana. (No es necesario reemplazar el agua toda vez que coloque un nuevo barril, es aconsejable hacerlo una vez por semana).

Abra el interruptor del drenaje, el agua fluye hacia el tubo de desagüe en forma de S desde este extremo.

Colocando el interruptor del drenaje en la posición horizontal, el agua comenzará a drenar.



El agua fluye hacia la bandeja de goteo desde este extremo.

Bandeja de evacuación

Figura 13

Abra el interruptor del drenaje para que el agua en la cavidad de enfriamiento drene hacia la bandeja de goteo. Asegúrese de que la bandeja esté bien ajustada en su ranura para evitar que el agua se derrame hacia fuera; la bandeja de goteo admite hasta 450 mL de agua;

2. Cuando haya salido toda el agua, cierre el interruptor del drenaje y vierta 800 mL de agua fresca en la cavidad de enfriamiento.

3. Abra el interruptor del drenaje (levante la aldaba hacia afuera hasta un ángulo de 90 grados) y drene el agua de la cavidad hacia la bandeja de goteo. Se necesitan dos desagües para sacar toda el agua.

ADVERTENCIA:

Es necesario que el agua esté limpia;

Verifique que la bandeja esté bien colocada en su posición para evitar que el agua se derrame en el escritorio;

La bandeja de goteo admite 400-500 mL de agua;

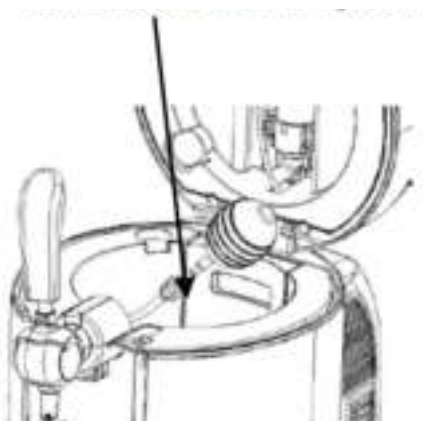
LIMPIEZA DEL MECANISMO DEL GRIFO

El dispensador de cerveza debe cumplir con las exigencias higiénicas. Es necesario limpiarlo antes del primer uso o luego de haberlo utilizado por un largo período, limpie la máquina entera con un paño seco. Por demás, le recomendamos llevar a cabo este procedimiento de limpieza :

1. Cargue la botella de bombeo con agua caliente.
2. Conecte la punta al extremo de boquilla, presione la botella para que el agua entre y limpie el tubo de la boquilla, saliendo por el tubo de la cerveza en el otro extremo. Repita este procedimiento hasta que el tubo de la cerveza quede limpio (deberá cargar la botella con agua caliente al menos 3 veces). Debe limpiar el mecanismo del grifo de la cerveza.

NOTA : Abra el grifo cuando haga la limpieza.

Este conector debe conectarse con la botella de limpieza



3. Antes de limpiar la batidora, retire el cable de alimentación del tomacorriente.




ADVERTENCIA :

Nunca coloque las piezas del mecanismo del grifo en una lavadora ni en el lavavajillas.

Nunca utilice detergentes químicos para limpiar las piezas, se recomienda el uso de agua caliente o purificada.

CAMBIO DE PIEZAS DE REPUESTO (Adaptador Heineken de 3 piezas)

CAMBIO DE PIEZAS DE REPUESTO (Adaptador Heineken de 3 piezas)

No.	Nombre	Cantidad	Instalación	Muestra	Nota
1	Adaptador	3	Barril Heineken		1 conjunto
2	Bomba de limpieza	1			1 pieza
3	Tubo de la cerveza	1	Conector rápido		1 pieza

CAMBIO DEL TUBO DE LA CERVEZA

Si el tubo de la cerveza está dañado y detecta una fuga o pérdida de cerveza, deberá reemplazarlo rápidamente. 1. Retire la cubierta superior y coloque el tirador del grifo en dirección a la boquilla de salida de la cerveza para extraer el tubo.

2. Retire la presilla del grifo y luego desenrosque el conector rápido.

3. Instale el tubo de cerveza nuevo siguiendo el procedimiento inverso.

NOTA : No manipule otros tornillos durante el reemplazo del tubo, eso podría provocar la fuga de la cerveza o un escape de gas.

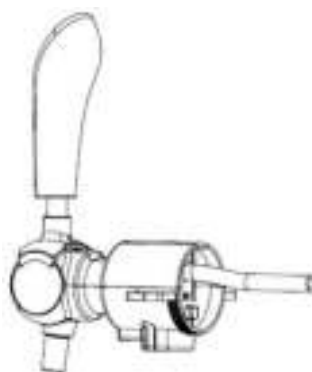


Figure 14

MANTENIMIENTO

Si el dispensador de cerveza no funciona correctamente, llame al centro de asistencia técnica ;

Para ahorrar tiempo y dinero, antes de contactar al centro de asistencia, consulte la Guía de Solución de Problemas. Esta guía enumera las causas de problemas operacionales menores que puede corregir usted mismo.

Problema	Causas	Solución
El grifo no funciona / No Consigue tirar La cerveza.	<ol style="list-style-type: none"> 1. El tubo de la cerveza no está bien conectado. 2. No hay barril en el Dispensador o no hay cerveza en el barril. 	<ol style="list-style-type: none"> 1. Ajuste bien la conexión Del tubo de la cerveza. 2. Coloque un barril nuevo.
La cerveza está saliendo Con demasiada espuma.	<ol style="list-style-type: none"> 1. Está usando un modo cerveza. 2. La cerveza no está fría Lo suficiente (temperatura óptima de 3-6°C). 3. El barril fue sacudido las burbujas. Antes del u 4. Queda poca cerveza en 	<ol style="list-style-type: none"> 1. Tire la cerveza usando el ecuado para tirar la dimiento correcto. 2. la cerveza a 3- 6 °C. 3. Deje que el barril repose durante un tiempo para

	el barril.	4. Coloque un barril nuevo.
La cerveza está saliendo muy Lentamente.	Hay fuga en el tubo de conexión o en el tubo de la cerveza.	Verifique si hay alguna fuga en el tubo y Reemplácelo en ese caso.

MEDIO AMBIENTE

ATENCIÓN :



No se deshaga de este producto como lo hace con otros productos del hogar. Existe un sistema selectivo de colecta de este producto puesto en marcha por las comunidades, debe de informarse en su ayuntamiento acerca de los lugares en los que puede depositar este producto. De hecho, los productos eléctricos y electrónicos

pueden contener sustancias peligrosas que tienen efectos nefastos para el medio ambiente o para la salud humana y deben ser reciclados. El símbolo aquí presente indica que los equipos eléctricos o electrónicos deben de ser cuidadosamente seleccionados, representa un recipiente de basura con ruedas marcado con una X.

ITALIANO

Si prega di leggere il manuale d'istruzioni prima dell'installazione e dell'utilizzo, e conservarlo per riferimento futuro.

INTRODUZIONE

Questo è un dispositivo di raffreddamento birra domestico, utile per mantenere la birra fresca. Porta la birra alla temperatura ottimale per la conservazione frigorifera (da 3 a 6°C) entro 19-21 ore.

Il dispositivo di raffreddamento della birra manterrà fresco un barilotto da 5L per un lungo periodo. Tuttavia, suggeriamo di raffreddare il barilotto di birra per almeno 12 ore in frigorifero prima di inserirlo nel dispositivo di raffreddamento della birra.

IMPORTANTI ISTRUZIONI DI SICUREZZA

Abbiamo inserito molti messaggi importanti per la sicurezza nel manuale d'istruzioni del dispositivo di raffreddamento della birra. Prima dell'uso, si prega di leggere e rispettare tutte le norme di sicurezza e le istruzioni per l'uso; e mettere il manuale d'istruzioni in un luogo sicuro per riferimenti futuri.

Istruzioni di sicurezza

- Prima di utilizzarlo, verificare che il cavo d'alimentazione sia ben collegato; in caso contrario, si prega di non usarlo, e chiamare il centro servizi;
- Se il cavo d'alimentazione è danneggiato, deve essere sostituito dal costruttore o dal suo rappresentante o da una persona qualificata al fine di evitare rischi.
- Prima dell'uso, controllare se la spina sia conforme con la presa; in caso contrario, si prega di non usarlo, e chiamare il centro assistenza;

- Non collegare o scollegare la spina elettrica con le mani bagnate.
- Posizionare lo spillatore su una superficie asciutta ed orizzontale.
- Per garantire un'adeguata ventilazione per il raffreddamento della birra, assicurarsi che il dispositivo di raffreddamento della birra sia ad almeno 5 pollici / 10 cm di distanza su entrambi i lati in modo da consentire una corretta ventilazione dell'apparecchio.
- Non mettere mai il dispositivo di raffreddamento della birra sotto la luce del sole.
- Non coprire il dispositivo di birra quando è in funzione con un altro oggetto.
- Il dispositivo di raffreddamento della birra deve essere installato in una zona protetta dagli agenti atmosferici, vento quali, pioggia, acqua nebulizzata o gocce.
- Prima di procedere con l'operazione di pulizia e manutenzione, assicurarsi che la linea d'alimentazione dell'unità sia scollegata. In caso contrario, può provocare scosse elettriche o la morte.
- Non immergere il dispositivo di raffreddamento della birra o la spina d'alimentazione in acqua o altri liquidi.
- Non usare un panno ruvido, o abrasivi per pulire il dispositivo di raffreddamento della birra
- Non estrarre il barilotto di birra fuori dal dispositivo se la birra non è finita completamente.
- Non permettere mai ai bambini di utilizzare, giocare con o manomettere il dispositivo di raffreddamento della birra.
- Questo apparecchio può essere usato da persone con ridotte capacità fisiche, sensoriali o mentali o con mancanza di esperienza o conoscenza, a condizione che siano sorvegliate o istruite sull'uso sicuro dell'apparecchio e che comprendano pienamente i potenziali pericoli.
- I bambini devono essere sorvegliati per assicurarsi che non giochino con l'apparecchio.

- **Attenzione:** Non introdurre sostanze esplosive, come bombolette spray con propellente infiammabile in questo apparecchio.
- Questo apparecchio può essere utilizzato da bambini a partire da 8 anni, purché sorvegliati e istruiti all'uso sicuro dell'apparecchio e pienamente a conoscenza dei pericoli che comporta.
- La pulizia e la manutenzione non devono essere eseguite da bambini a meno che abbiano più di 8 anni e siano sorvegliati da un adulto.
- Conservare l'apparecchio e il cavo d'alimentazione fuori dalla portata di bambini di età inferiore a 8 anni.
- Quando si utilizzano apparecchiature elettriche, è necessario adottare sempre misure di sicurezza per prevenire il rischio di incendi, scosse elettriche e/o lesioni in caso di uso improprio.
- Accertarsi che la tensione nominale sulla targhetta corrisponda alla tensione principale della vostra installazione. In caso contrario, contattare il rivenditore e non collegare l'unità.
- Non lasciare mai l'unità incustodita durante il funzionamento.
- Si prega di tenere questo documento a portata di mano e di consegnarlo al futuro proprietario in caso di trasferimento del dispositivo.
- Il dispositivo non deve essere utilizzato se è stato lasciato cadere, sono visibili evidenti segni di danneggiamento o se presenta perdite.
- Il vostro apparecchio è stato progettato esclusivamente per un uso domestico. Non è destinato all'uso nelle seguenti situazioni che non sono coperte dalla garanzia:
 - - in cucine per il personale in negozi, uffici e altri ambienti professionali,
 - - in ostelli agricoli,
 - - da ospiti in hotel, motel e altri ambienti residenziali,
 - - in ambienti tipo bed and breakfast.

- Il dispositivo non deve essere utilizzato se è stato lasciato cadere, sono visibili evidenti segni di danneggiamento o se presenta perdite.

COME SCEGLIERE UN BARILOTTO

- Applicabile solo il barile da 5L Heineken sigillato
- Prestare molta attenzione ai messaggi di sicurezza e di stoccaggio per il barilotto.
- Controllare che il barile non è né danneggiato né scaduto prima di procedere all'acquisto.
- Tenere il barile al freddo per 12 ore, ma non in luogo troppo freddo (ad esempio frigorifero) fino al successivo utilizzo.
- Non scuotere il barile prima dell'uso
- Non mettere mai il barilotto di birra sotto la luce del sole

SPECIFICHE TECNICHE

Articolo	descrizioni	specificazione
1	Voltaggio	AC 220-240V / 50Hz
2	capacità disponibile	5 litri
3	potenza di funzionamento nominale	65W
4	prestazioni di raffreddamento	La temperatura più bassa nel barile: 3 ~ 6°C (Temperatura ambiente 22 ~ 24°C)
5	Livello di rumore	≤38dB (A); (Rumore ambientale ≤3dB (A))
6	Dimensioni	(W) 272 * (D) 414 * (H) 446 millimetri
7	Peso netto	5.8 ± 0.5Kg
8	Plastica con aspetto Elegante	√
9	sistema di radiatori in alluminio	√
10	tecnologia di raffreddamento dei semiconduttori	√
11	Sistema di raffreddamento di conduzione acqua	√
12	drenaggio manuale	√
13	vasca di raccolta acqua staccabile	√
14	sistema di mantenimento fresco	PU isolamento / Peso 300 ± 5g
15	tipo di clima	N / SN

PARTI & CARATTERISTICHE

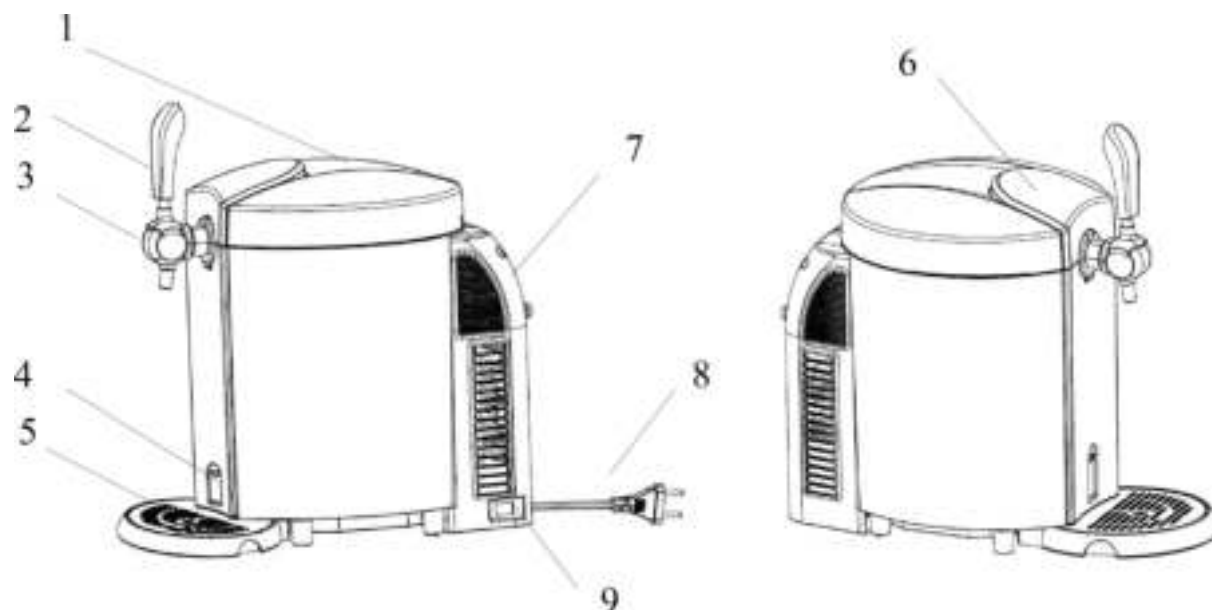


Figura 1

Figura 2

1. Coperchio superiore
2. Maniglia rubinetto
3. Rubinetto
4. Interruttore di scarico
5. Vaschetta di raccolta

6. Pulsante di blocco
7. Coperchio posteriore
8. Cavo di alimentazione e spina
9. Interruttore di alimentazione

INSTALLAZIONE E FUNZIONAMENTO

A. Installazione

1. Estrarre il dispositivo di raffreddamento della birra dalla confezione. Posizionare il dispositivo di raffreddamento della birra su una superficie stabile e orizzontale, e assicurarsi che il dispositivo di raffreddamento della birra sia ad almeno 5 pollici / 10 cm di distanza da altri apparecchi o parete su ogni lato in modo da consentire una corretta ventilazione degli apparecchi, per ottenere prestazioni migliori.

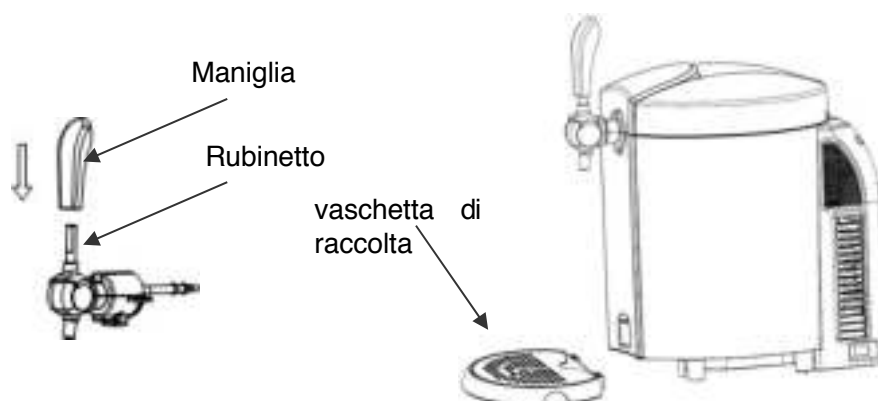


Figura 3

Figura 4

2. Installare il rubinetto e collegare la maniglia al rubinetto, assicurarsi che combacino perfettamente. (Vedi figura 3)

3. Impostare la vaschetta di raccolta nel suo vano. (Vedi figura 4)

4. Aprire il dispositivo di raffreddamento della birra con forza 60-80N.

Nota: Non collegare o scollegare la spina elettrica con le mani bagnate. Prima di utilizzarlo, assicurarsi che la tensione sia conforme al marchio della spina, e verificare se il cavo d'alimentazione è ben collegato o meno; in caso contrario, si prega di non usarlo, e chiamare il centro assistenza;

5. Mettere 800ml di acqua nella cavità di raffreddamento o versare l'acqua fino al segno max (Vedi figura 5) (Può funzionare senza acqua, ma non al massimo delle sue prestazioni)

Nota: Assicurarsi che l'interruttore di scarico sia in posizione "Off", e nessun oggetto in più nella cavità di raffreddamento.

La linea di livello
dell'acqua max
(800ml)

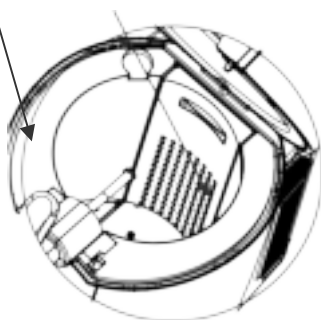


Figura 5

Assicurarsi che
l'interruttore di
scarico sia in
posizione "OFF".

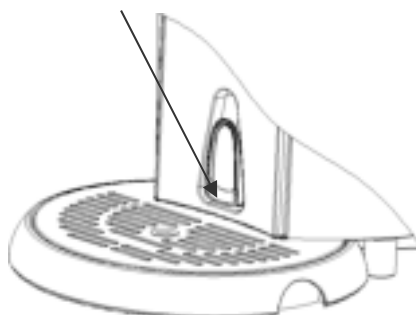
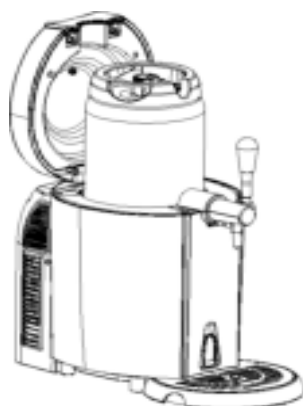


Figura 6

6. Collocare il fusto pronto per l'uso nel serbatoio dell'apparecchio, collegare il tubo d'ingresso al fusto.

NOTE: Controllare che il collegamento del sistema di valvole sia corretto e non danneggiato. Assicurarsi che la valvola di rubinetto sia in posizione chiusa.



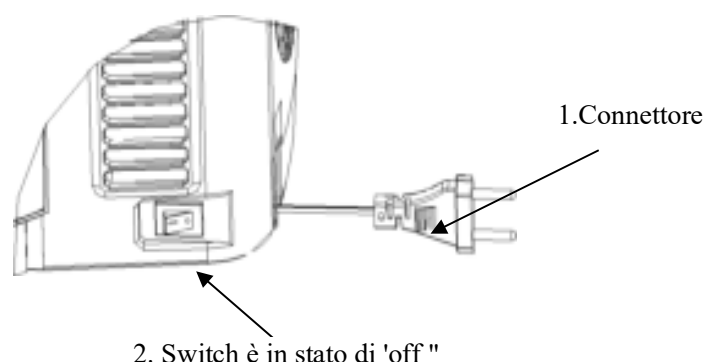
7. Collegare il dispositivo di raffreddamento della birra.

Nota: Non collegare o scollegare la spina elettrica con le mani bagnate. Prima di utilizzarlo, assicurarsi che la tensione sia conforme al marchio della spina, e verificare se il cavo di alimentazione è ben collegato o meno; in caso contrario, si prega di non usarlo, e chiamare un centro assistenza.

8. Chiudere il coperchio superiore del dispositivo di raffreddamento della birra.

9. Accendere l'interruttore d'alimentazione in posizione "I" per accendere il dispositivo di raffreddamento della birra. (Mentre la posizione "0" è per spegnerlo).

NOTE: Si prega di assicurarsi che le mani siano asciutte quando si utilizza il dispositivo di raffreddamento della birra, per evitare scosse elettriche.



10. Ci vorranno 19-21 ore per raffreddare la birra a 3-6°C con una temperatura ambiente di 22-24 °C e mantenere la temperatura. Tuttavia, vi suggeriamo di raffreddare il vostro barilotto di birra per almeno 12 ore in frigorifero prima di inserirlo nel dispositivo di raffreddamento della birra, in particolare quando la temperatura ambiente è superiore a 25°C.

11. Per spillare la birra tirare verso il basso il meccanismo di rubinetto, regolando la manopola del regolatore di pressione per controllare la quantità birra e la schiuma; Nota: Pulire il bicchiere prima di spillare la birra; se il bicchiere / boccale è caldo o la birra non è abbastanza fresca, ci sarà molta schiuma.

12. Quando si spilla la birra, appoggiare il bicchiere di birra contro il beccuccio e lentamente raddrizzarlo man mano che si riempie, quindi aprire completamente il meccanismo del rubinetto per evitare troppa schiuma; Si consiglia di versare mezzo bicchiere, fare una breve pausa prima procedere al riempimento.

NOTE: Mai immergere il beccuccio nel bicchiere di birra per evitare troppa schiuma; Ricordarsi di chiudere il rubinetto dopo aver terminato.

13. È normale avere più schiuma quando si versano i primi 3 bicchieri di birra.

14. Ci sarà un getto forte quando si verserà l'ultimo bicchiere di birra da barile.

B. Barilotto heineken

1. Il connettore Heineken fornito con il dispositivo di raffreddamento della birra funziona con tutti i fusti Heineken da 5 litri. Tuttavia è necessario utilizzare un cacciavite a testa piatta per rimuovere la base verde dal fusto per installare il nuovo connettore, fornito con il dispositivo di raffreddamento della birra.

2. Quando installate il nuovo connettore al barile Heineken, è necessario in primo luogo installare il tubo di birra chiara ad un'estremità al connettore, un capo al meccanismo di rubinetto, quindi installare il connettore al barile Heineken.

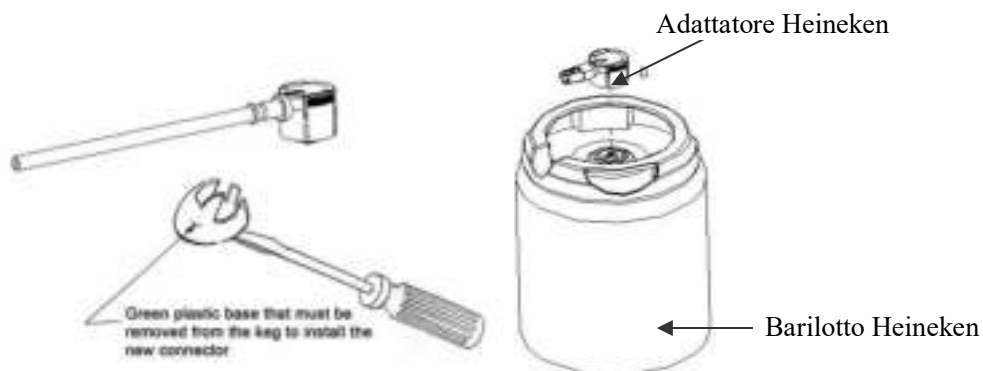


Figura 7

Figura 8

Nota: Si prega di togliere l'adattatore Heineken secondo l'indicazione della freccia, o si potrebbe danneggiare il dispositivo di fissaggio

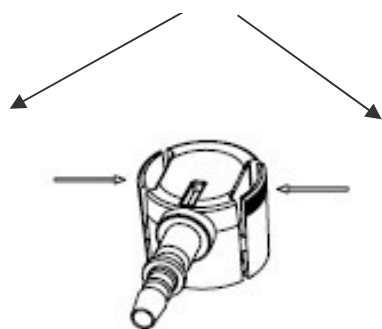


Figura 9

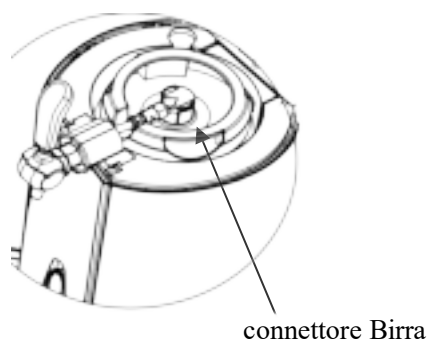


Figura 10

C. Sostituire l'acqua all'interno della cavità di RAFFREDDAMENTO

Si consiglia di sostituire l'acqua all'interno della cavità una volta alla settimana. (Non è necessario sostituire l'acqua per ogni barilotto di birra, una volta a settimana è sufficiente).

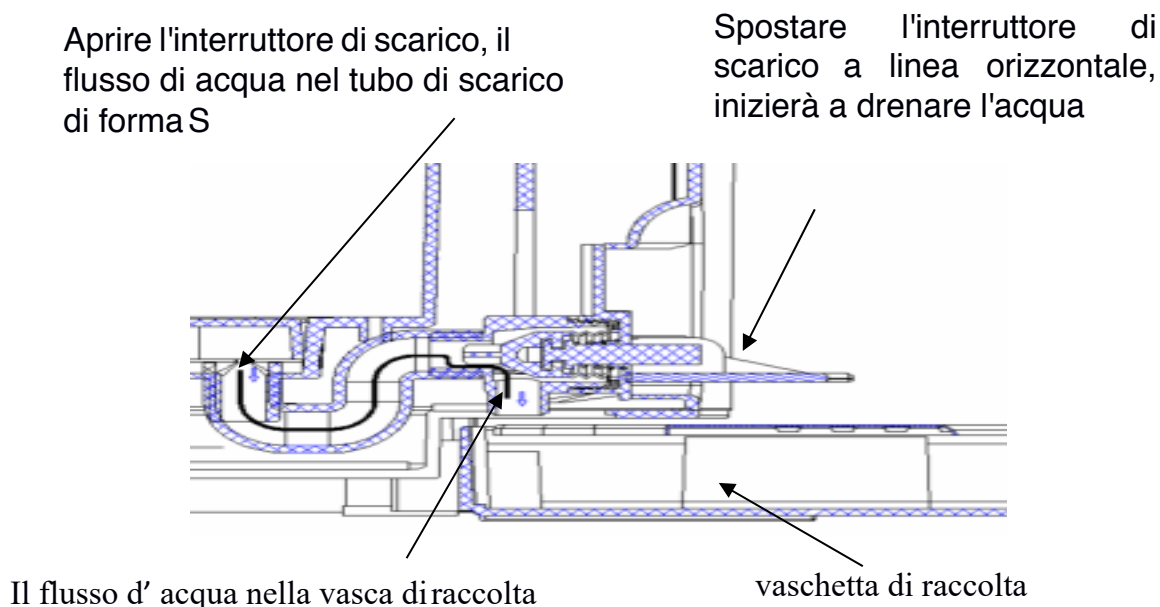


Figura 13

1. Aprire l'interruttore di scarico per drenare l'acqua dalla cavità nella vaschetta di raccolta. Assicurarsi che la vaschetta di raccolta sia nella tacca per evitare che il flusso dell'acqua fuoriesca; la vaschetta di raccolta in grado di raccogliere 450ml;
2. Dopo aver fatto fuoriuscire l'acqua, chiudere l'interruttore di scarico e mettere 800 ml di acqua fresca nella cavità.
3. Aprire l'interruttore di scarico (portare l'interruttore in avanti a 90 gradi), e drenare l'acqua all'interno del gocciolatoio.

Avvertimento:

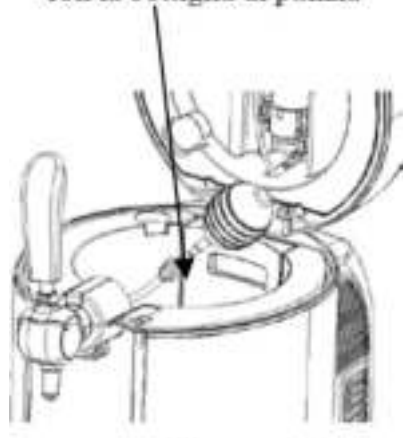
- 1) Usare solo acqua pulita;
- 2) Assicurarsi che la vaschetta di raccolta sia messa a posto per evitare che l'acqua fuoriesca;
- 3) La vasca di raccolta è in grado di caricare 400-500ml;

PULIZIA MECCANISMO RUBINETTO

Per una birra più fresca , è necessario pulire il meccanismo prima del primo utilizzo o per l'uso prolungato, pulire tutta la macchina con un panno asciutto. In caso contrario, fare come segue:

1. Caricare l'acqua calda nel kit di pulizia.
2. Collegare l'estremità del perno, premere l'acqua nel perno per pulire il tubo, e spingere l'acqua fuori dal tubo della birra all'altra estremità. Ripetere questo lavoro di pulizia fino a che il tubo non sarà pulito (necessità di 3 bottiglie di acqua calda, almeno); si prega di pulire il meccanismo di rubinetto birra per il buon funzionamento. Nota: Si prega di aprire il rubinetto quando si effettua la pulizia.

Questo connettore deve collegarsi
con la bottiglia di pulizia






3. Disconnettere la spina dalla presa prima della pulizia

Avvertimento:

Non mettere mai le parti del meccanismo del rubinetto in lavatrice o la lavastoviglie;

Non usare mai detergente chimico per la pulizia delle parti, si consiglia acqua calda o purificata.

PER CAMBIARE RICAMBI (3 pezzi adattatore Heineken)

NO.	Nome	QTY	Rata	figura	Nota
1	Adaptor	3	Heineken tub		1set
2	Pompa di pulizia	1			1pcs
3	Beer tube	1	Quick connector		1pcs

PER CAMBIARE IL TUBO BIRRA

Si prega di sostituire il tubo di birra se è danneggiato e causa perdite di birra.

1. Togliere il coperchio superiore, lasciare la maniglia del rubinetto in direzione della quando si estrae il tubo.
2. Rimuovere la clip, quindi svitare il connettore rapido.
3. Installare il nuovo tubo di birra secondo la procedura inversa.

Nota: Non spostare altre viti durante la sostituzione del tubo, in caso contrario, potrebbe causare la perdita di birra o perdite di gas.

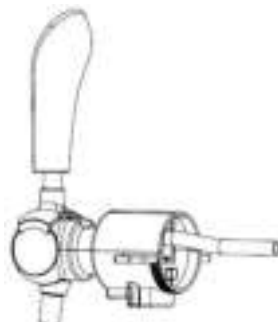


Figura 14


MANUTENZIONE

Se il dispositivo di raffreddamento della birra non funziona correttamente, si prega di chiamare il centro assistenza;
Prima di rivolgersi all'assistenza tecnica, controllare la guida alla risoluzione dei problemi. Elenca cause di problemi di funzionamento minori che possono venire riparate dall'utente.

Problema	Causa	Risoluzione dei problemi
Il rubinetto non funziona / non fa fluire la birra	<ol style="list-style-type: none">1. Il tubo di collegamento della birra è in cattive condizioni2. Nessun barile o birra terminata nel fusto;	<ol style="list-style-type: none">1. collegare bene il tubo2. Inserire un nuovo barilotto
Troppa Schiuma	<ol style="list-style-type: none">1. Utilizzo di un modo sbagliato di spillatura2. La temperatura della birra è alta (più di 3-6°C)3. Il barilotto è stato agitato prima dell'uso4. Barilotto quasi vuoto	<ol style="list-style-type: none">1. Utilizzare il modo giusto per spillare2. Lasciare raffreddare la birra fino a 3-6°C3. Far riposare il barilotto di birra4. Inserire un nuovo barilotto
La birra scorre troppo lentamente	Il tubo di collegamento o il tubo birra ha perdite	Controllare se il tubo ha perdite, in caso affermativo sostituire il tubo

AMBIENTE

ATTENZIONE:

 Non gettare questo apparecchio tra i rifiuti domestici. Per questo tipo di prodotti è fornito dai comuni un sistema di raccolta e ritiro in zona ed è quindi un dovere informarsi per conoscere il giusto smistamento del rifiuto. Infatti, i prodotti elettrici ed elettronici possono contenere sostanze pericolose che hanno effetti dannosi sull'ambiente o sulla nostra salute e quindi devono essere riciclati. Il simbolo al lato indica che le apparecchiature elettriche ed elettroniche fanno parte di una raccolta selettiva e differenziata (rappresentata da un bidone su due ruote sbarrato da una croce).

Adeva SAS / H.Koenig Europe - 8 rue Marc Seguin, 77290 Mitry-Mory, France
www.hkoenig.com - <https://assistenza.hkoenig.com> - Tél: +33 1 64 67 00 05



Points de collecte sur www.quefairede mesdechets.fr
Privilégiez la réparation ou le don de votre appareil !