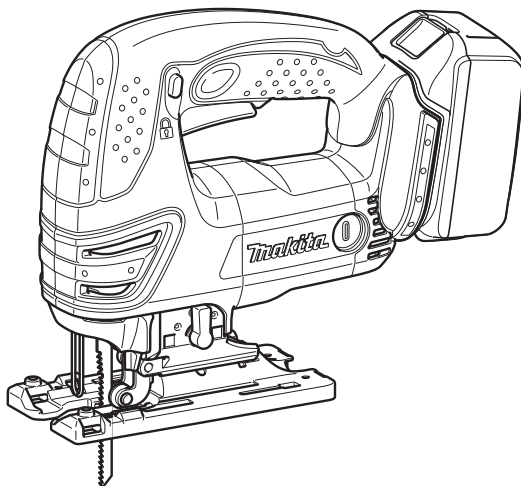
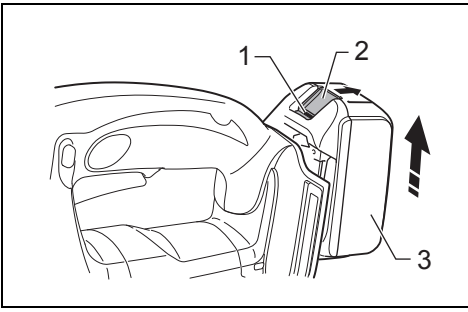




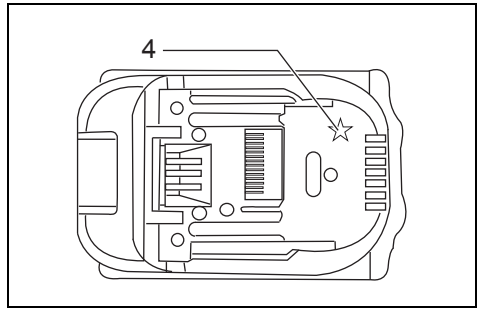
GB	Cordless Jig Saw	Instruction Manual
F	Scie sauteuse sans fil	Manuel d'instructions
D	Akku-Stichsäge	Betriebsanleitung
I	Seghetto alternativo a batteria	Istruzioni per l'uso
NL	Snoerloze figuurzaag	Gebruiksaanwijzing
E	Sierra de cacadora a batería	Manual de instrucciones
P	Serra de vaivém a bateria	Manual de instruções
DK	Akku-pendulstiksav	Brugsanvisning
GR	Ασύρματο παλινδρομικό πριόνι	Οδηγίες χρήσεως

DJV180

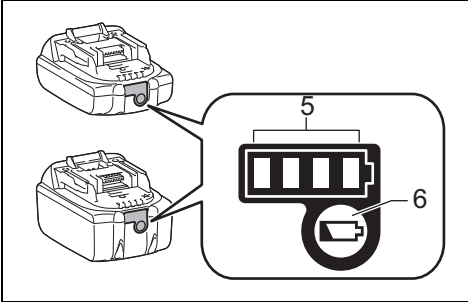




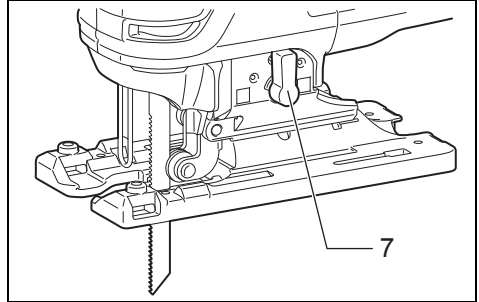
1 007482



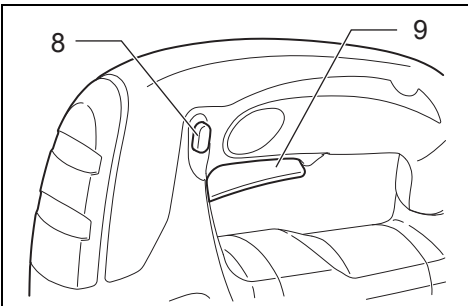
2 012128



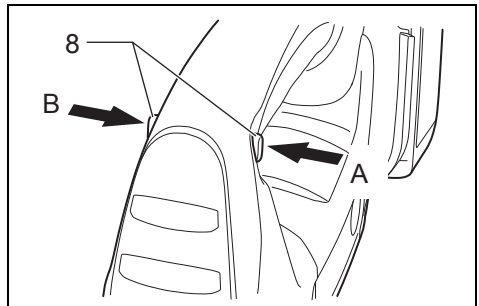
3 015659



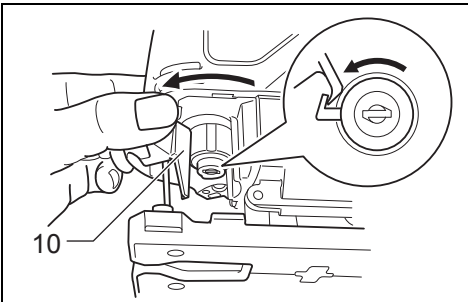
4 007483



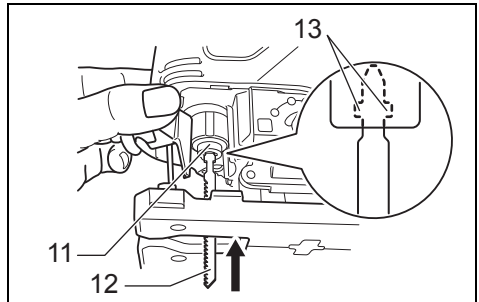
5 007484



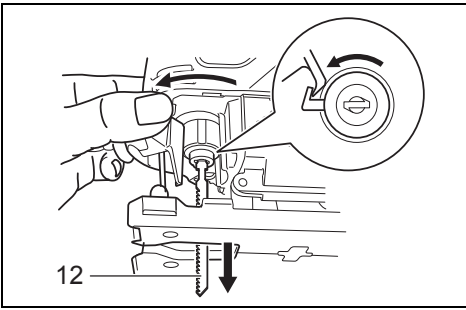
6 007485



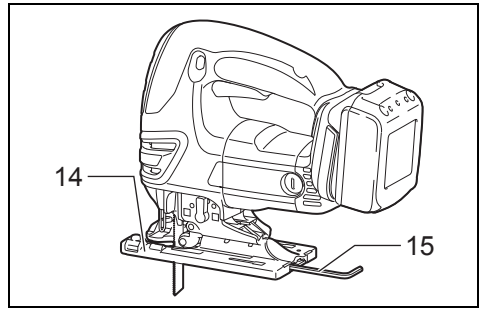
7 001909



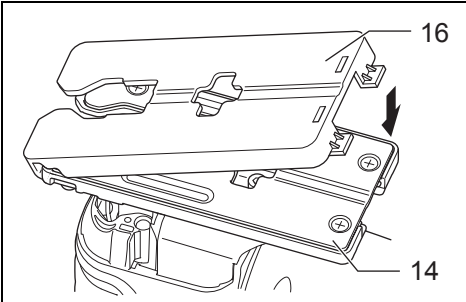
8 001910



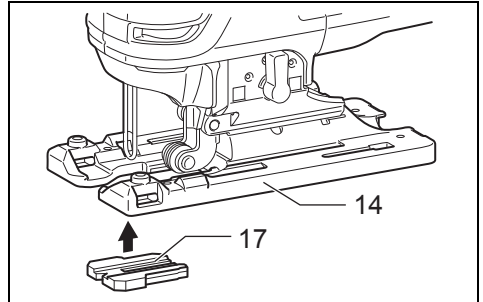
9 001911



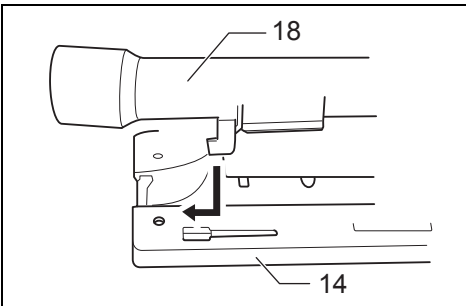
10 007486



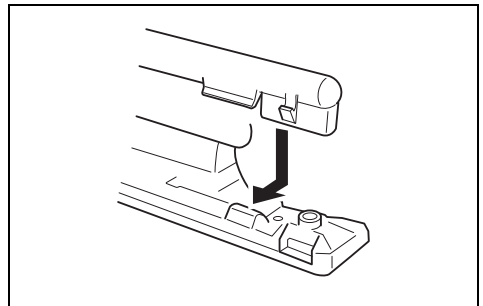
11 007503



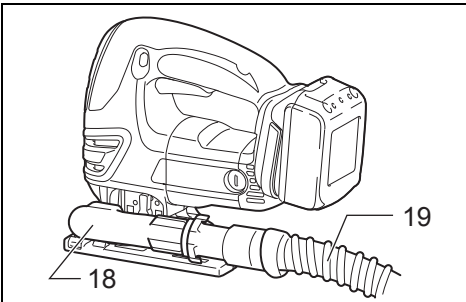
12 007504



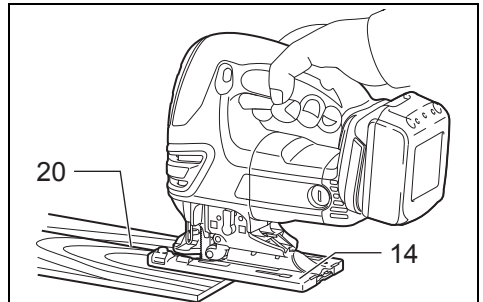
13 001921



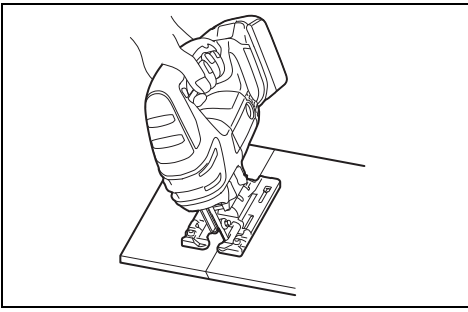
14 001922



15 007495

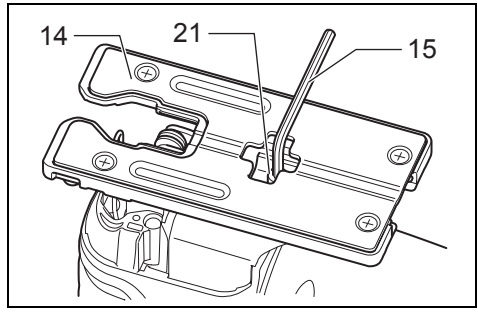


16 007487



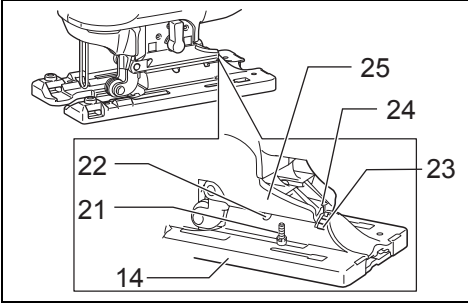
17

007488



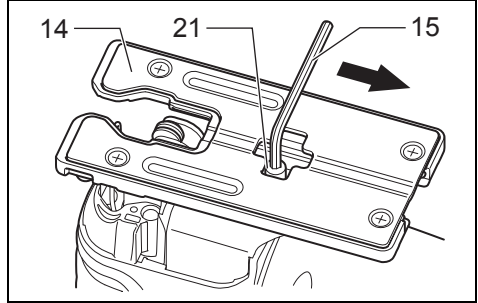
18

007489



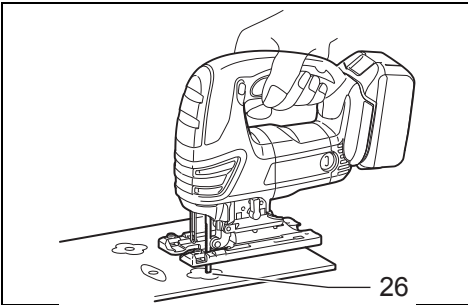
19

007490



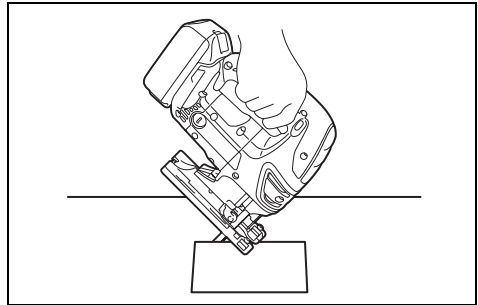
20

007491



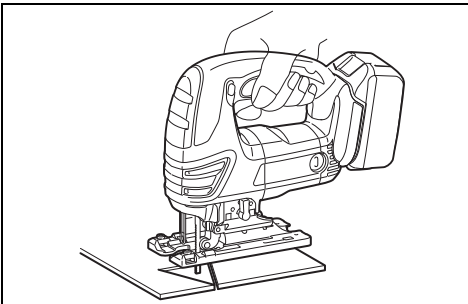
21

007492



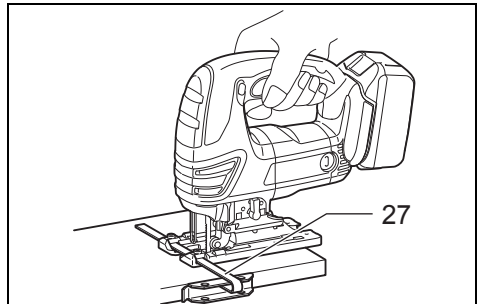
22

007493



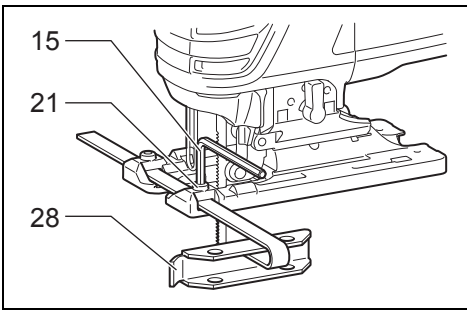
23

007494

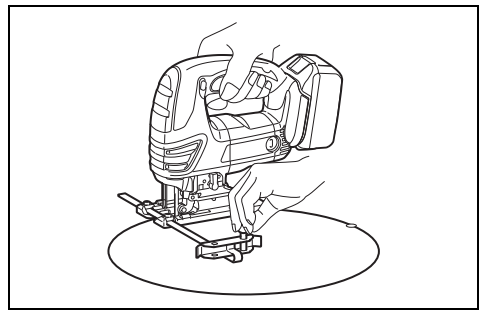


24

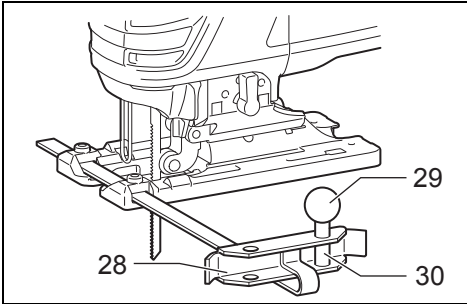
007496



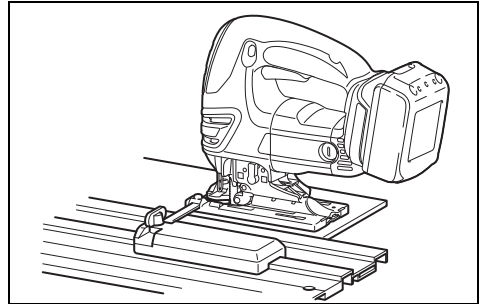
25 007497



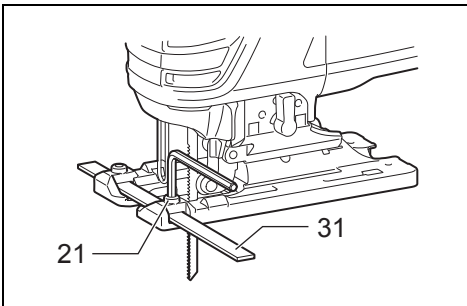
26 007498



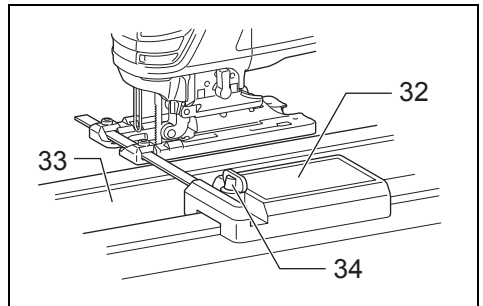
27 007499



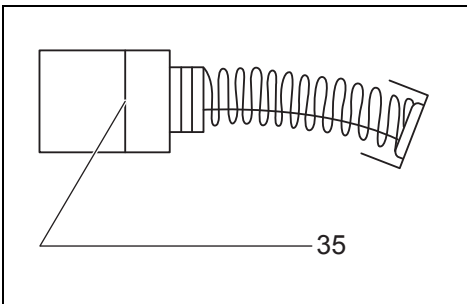
28 007500



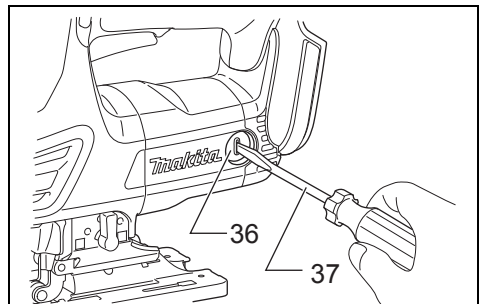
29 007501



30 007502



31 001145



32 007505

Explanation of general view

1 Red indicator	14 Base	27 Rip fence
2 Button	15 Hex wrench	28 Fence guide
3 Battery cartridge	16 Cover plate	29 Threaded knob
4 Star marking	17 Anti-splintering device	30 Circular guide pin
5 Indicator lamps	18 Dust nozzle	31 Rule bar
6 Check button	19 Hose for vacuum cleaner	32 Guide rail adapter
7 Cutting action changing lever	20 Cutting line	33 Guide rail
8 Lock-off button	21 Bolt	34 Screw
9 Switch trigger	22 Bevel slot	35 Limit mark
10 Tool opener	23 Graduations	36 Brush holder cap
11 Blade clamp	24 V-notch	37 Screwdriver
12 Jig saw blade	25 Gear housing	
13 Protrusions	26 Starting hole	

SPECIFICATIONS

Model		DJV180
Length of stroke		26 mm
Max. Cutting capacities	Wood	135 mm
	Mild steel	10 mm
	Aluminum	20 mm
Strokes per minute (min ⁻¹)		0 – 2,600
Overall length		257 mm
Net weight		2.7 – 3.0 kg
Rated voltage		D.C. 18 V

- Due to our continuing program of research and development, the specifications herein are subject to change without notice.
- Specifications may differ from country to country.
- The weight may differ depending on the attachment(s), including the battery cartridge. The lightest and heaviest combination, according to EPTA-Procedure 01/2014, are shown in the table.

Applicable battery cartridge and charger

Battery cartridge	BL1815N / BL1820 / BL1820B / BL1830 / BL1830B / BL1840 / BL1840B / BL1850 / BL1850B / BL1860B
Charger	DC18RC / DC18RD / DC18RE / DC18SD / DC18SE / DC18SF

- Some of the battery cartridges and chargers listed above may not be available depending on your region of residence.

⚠ WARNING: Only use the battery cartridges and chargers listed above. Use of any other battery cartridges and chargers may cause injury and/or fire.

ENE019-1

GEA010-2

Intended use

The tool is intended for the sawing of wood, plastic and metal materials. As a result of the extensive accessory and saw blade program, the tool can be used for many purposes and is very well suited for curved or circular cuts.

General Power Tool Safety Warnings

⚠ WARNING Read all safety warnings, instructions, illustrations and specifications provided with this power tool. Failure to follow all instructions listed below may result in electric shock, fire and/or serious injury.

Save all warnings and instructions for future reference.

The term “power tool” in the warnings refers to your mains-operated (corded) power tool or battery-operated (cordless) power tool.

CORDLESS JIG SAW SAFETY WARNINGS

1. Hold the power tool by insulated gripping surfaces, when performing an operation where the cutting accessory may contact hidden wiring. Cutting accessory contacting a "live" wire may make exposed metal parts of the power tool "live" and could give the operator an electric shock.
2. Use clamps or another practical way to secure and support the workpiece to a stable platform. Holding the workpiece by hand or against your body leaves it unstable and may lead to loss of control.
3. Always use safety glasses or goggles. Ordinary eye or sun glasses are NOT safety glasses.
4. Avoid cutting nails. Inspect workpiece for any nails and remove them before operation.
5. Do not cut oversize workpiece.
6. Check for the proper clearance beyond the workpiece before cutting so that the blade will not strike the floor, workbench, etc.
7. Hold the tool firmly.
8. Make sure the blade is not contacting the workpiece before the switch is turned on.
9. Keep hands away from moving parts.
10. Do not leave the tool running. Operate the tool only when hand-held.
11. Always switch off and wait for the blade to come to a complete stop before removing the blade from the workpiece.
12. Do not touch the blade or the workpiece immediately after operation; they may be extremely hot and could burn your skin.
13. Do not operate the tool at no-load unnecessarily.
14. Some material contains chemicals which may be toxic. Take caution to prevent dust inhalation and skin contact. Follow material supplier safety data.
15. Always use the correct dust mask/respirator for the material and application you are working with.

SAVE THESE INSTRUCTIONS.

WARNING:

DO NOT let comfort or familiarity with product (gained from repeated use) replace strict adherence to safety rules for the subject product. MISUSE or failure to follow the safety rules stated in this instruction manual may cause serious personal injury.

ENC007-12

IMPORTANT SAFETY INSTRUCTIONS FOR BATTERY CARTRIDGE

1. Before using battery cartridge, read all instructions and cautionary markings on (1) battery charger, (2) battery, and (3) product using battery.
2. Do not disassemble battery cartridge.
3. If operating time has become excessively shorter, stop operating immediately. It may result in a risk of overheating, possible burns and even an explosion.
4. If electrolyte gets into your eyes, rinse them out with clear water and seek medical attention right away. It may result in loss of your eyesight.
5. Do not short the battery cartridge:

- (1) Do not touch the terminals with any conductive material.
- (2) Avoid storing battery cartridge in a container with other metal objects such as nails, coins, etc.
- (3) Do not expose battery cartridge to water or rain.

A battery short can cause a large current flow, overheating, possible burns and even a breakdown.

6. Do not store the tool and battery cartridge in locations where the temperature may reach or exceed 50°C (122°F).
7. Do not incinerate the battery cartridge even if it is severely damaged or is completely worn out. The battery cartridge can explode in a fire.
8. Be careful not to drop or strike battery.
9. Do not use a damaged battery.
10. The contained lithium-ion batteries are subject to the Dangerous Goods Legislation requirements.

For commercial transports e.g. by third parties, forwarding agents, special requirement on packaging and labeling must be observed.

For preparation of the item being shipped, consulting an expert for hazardous material is required. Please also observe possibly more detailed national regulations.

Tape or mask off open contacts and pack up the battery in such a manner that it cannot move around in the packaging.

11. Follow your local regulations relating to disposal of battery.
12. Use the batteries only with the products specified by Makita. Installing the batteries to non-compliant products may result in a fire, excessive heat, explosion, or leak of electrolyte.

SAVE THESE INSTRUCTIONS.

CAUTION:

Only use genuine Makita batteries. Use of non-genuine Makita batteries, or batteries that have been altered, may result in the battery bursting causing fires, personal injury and damage. It will also void the Makita warranty for the Makita tool and charger.

Tips for maintaining maximum battery life

1. Charge the battery cartridge before completely discharged. Always stop tool operation and charge the battery cartridge when you notice less tool power.
2. Never recharge a fully charged battery cartridge. Overcharging shortens the battery service life.
3. Charge the battery cartridge with room temperature at 10°C – 40°C (50°F – 104°F). Let a hot battery cartridge cool down before charging it.
4. Charge the battery cartridge if you do not use it for a long period (more than six months).

FUNCTIONAL DESCRIPTION

CAUTION:

- Always be sure that the tool is switched off and the battery cartridge is removed before adjusting or checking function on the tool.

Installing or removing battery cartridge (Fig. 1)

⚠ CAUTION:

- Always switch off the tool before installing or removing of the battery cartridge.
- **Hold the tool and the battery cartridge firmly when installing or removing battery cartridge.** Failure to hold the tool and the battery cartridge firmly may cause them to slip off your hands and result in damage to the tool and battery cartridge and a personal injury.

To remove the battery cartridge, slide it from the tool while sliding the button on the front of the cartridge.

To install the battery cartridge, align the tongue on the battery cartridge with the groove in the housing and slip it into place. Insert it all the way until it locks in place with a little click. If you can see the red indicator on the upper side of the button, it is not locked completely.

⚠ CAUTION:

- Always install the battery cartridge fully until the red indicator cannot be seen. If not, it may accidentally fall out of the tool, causing injury to you or someone around you.
- Do not install the battery cartridge forcibly. If the cartridge does not slide in easily, it is not being inserted correctly.

Battery protection system (Lithium-ion battery with star marking) (Fig. 2)

Lithium-ion batteries with a star marking are equipped with a protection system. This system automatically cuts off power to the tool to extend battery life.

The tool will automatically stop during operation if the tool and/or battery are placed under one of the following conditions:

- **Overloaded:**
The tool is operated in a manner that causes it to draw an abnormally high current.
In this situation, release the switch trigger on the tool and stop the application that caused the tool to become overloaded. Then pull the switch trigger again to restart.
If the tool does not start, the battery is overheated. In this situation, let the battery cool before pulling the switch trigger again.

Selecting the cutting action (Fig. 4)

This tool can be operated with an orbital or a straight line (up and down) cutting action. The orbital cutting action thrusts the blade forward on the cutting stroke and greatly increases cutting speed.

To change the cutting action, just turn the cutting action changing lever to the desired cutting action position.

Refer to the table to select the appropriate cutting action.

Position	Cutting action	Applications
0	Straight line cutting action	For cutting mild steel, stainless steel and plastics. For clean cuts in wood and plywood.
I	Small orbit cutting action	For cutting mild steel, aluminum and hard wood.
II	Medium orbit cutting action	For cutting wood and plywood. For fast cutting in aluminum and mild steel.
III	Large orbit cutting action	For fast cutting in wood and plywood.



















006376

- **Low battery voltage:**
The remaining battery capacity is too low and the tool will not operate. In this situation, remove and recharge the battery.

Indicating the remaining battery capacity (Fig. 3)

Only for battery cartridges with the indicator

Press the check button on the battery cartridge to indicate the remaining battery capacity. The indicator lamps light up for few seconds.

Indicator lamps			Remaining capacity
 Lighted	 Off	 Blinking	
			75% to 100%
			50% to 75%
			25% to 50%
			0% to 25%
			Charge the battery.
 	 	 	The battery may have malfunctioned.

015658

NOTE:

- Depending on the conditions of use and the ambient temperature, the indication may differ slightly from the actual capacity.

Switch action (Fig. 5 & 6)

⚠ CAUTION:

- Before inserting the battery cartridge into the tool, always check to see that the switch trigger actuates properly and returns to the "OFF" position when released.
- When not operating the tool, depress the lock-off button from A side to lock the switch trigger in the OFF position.

To prevent the switch trigger from accidentally pulled, the lock-off button is provided.

To start the tool, depress the lock-off button from B side and pull the switch trigger.

Tool speed is increased by increasing pressure on the switch trigger. Release the switch trigger to stop. After use, always press in the lock-off button from A side.

Lighting up the lamps

⚠ CAUTION:

- Do not look in the light or see the source of light directly.

To turn on the lamp, pull the trigger. Release the trigger to turn it off.

NOTE:

- Use a dry cloth to wipe the dirt off the lens of lamp. Be careful not to scratch the lens of lamp, or it may lower the illumination.

ASSEMBLY

⚠ CAUTION:

- Always be sure that the tool is switched off and the battery cartridge is removed before carrying out any work on the tool.

Installing or removing saw blade

⚠ CAUTION:

- Always clean out all chips or foreign matter adhering to the blade and/or blade holder. Failure to do so may cause insufficient tightening of the blade, resulting in a serious injury.
- Do not touch the blade or the workpiece immediately after operation; they may be extremely hot and could burn your skin.
- Tighten the saw blade securely. Failure to do so may cause a serious injury.
- When you remove the saw blade, be careful not to hurt your fingers with the top of the blade or the tips of workpiece.

To install the blade, open the tool opener to the position shown in the figure. (Fig. 7)

Keeping that situation, insert the saw blade into the blade clamp as far as the two protrusions of the blade can not be seen. (Fig. 8)

Return the tool opener to its original position.

After installing, always make sure that the blade is securely held in place by trying to pull it out.

⚠ CAUTION:

- Do not open the tool opener excessively, or it may cause tool damage.

To remove the blade, open the tool opener to the position shown in the figure. (Fig. 9) Pull the saw blade out toward the base.

NOTE:

- Occasionally lubricate the roller.

Hex wrench storage (Fig. 10)

When not in use, store the hex wrench as shown in the figure to keep it from being lost.

Cover plate (Fig. 11)

Use the cover plate when cutting decorative veneers, plastics, etc. It protects sensitive or delicate surfaces from damage. Fit it on the back of the tool base.

Anti-splintering device (Fig. 12)

For splinter-free cuts, the anti-splintering device can be used. To install the anti-splintering device, move the tool base all the way forward and fit it from the back of tool base. When you use the cover plate, install the anti-splintering device onto the cover plate.

⚠ CAUTION:

- The anti-splintering device cannot be used when making bevel cuts.

Dust extraction

The dust nozzle (optional accessory) is recommended to perform clean cutting operations. (Fig. 13)

To attach the dust nozzle on the tool, insert the hook of dust nozzle into the hole in the base.

The dust nozzle can be installed on either left or right side of the base. (Fig. 14)

Then connect a Makita vacuum cleaner to the dust nozzle. (Fig. 15)

OPERATION

⚠ CAUTION:

- Always hold the base flush with the workpiece. Failure to do so may cause blade breakage, resulting in a serious injury. (Fig. 16)

Turn the tool on without the blade making any contact and wait until the blade attains full speed. Then rest the base flat on the workpiece and gently move the tool forward along the previously marked cutting line.

NOTE:

- If the tool is operated continuously until the battery cartridge has discharged, allow the tool to rest for 15 minutes before proceeding with a fresh battery.

When cutting curves, advance the tool very slowly.

Bevel cutting (Fig. 17)

⚠ CAUTION:

- Always be sure that the tool is switched off and the battery cartridge is removed before tilting the base.

With the base tilted, you can make bevel cuts at any angle between 0° and 45° (left or right).

Loosen the bolt on the back of the base with the hex wrench. Move the base so that the bolt is positioned in the center of the bevel slot in the base. (Fig. 18)

Tilt the base until the desired bevel angle is obtained. The V-notch of the gear housing indicates the bevel angle by graduations. Then tighten the bolt firmly to secure the base. (Fig. 19)

Front flush cuts

Loosen the bolt on the back of the base with the hex wrench and slide the base all the way back. Then tighten the bolt to secure the tool base. (Fig. 20)

Cutouts

Cutouts can be made with either of two methods A or B.

A) Boring a starting hole (Fig. 21):

For internal cutouts without a lead-in cut from an edge, pre-drill a starting hole 12 mm or more in diameter. Insert the blade into this hole to start your cut.

B) Plunge cutting (Fig. 22):

You need not bore a starting hole or make a lead-in cut if you carefully do as follows.

1. Tilt the tool up on the front edge of the base, with the blade point positioned just above the workpiece surface.
2. Apply pressure to the tool so that the front edge of the base will not move when you switch on the tool and gently lower the back end of the tool slowly.
3. As the blade pierces the workpiece, slowly lower the base of the tool down onto the workpiece surface.
4. Complete the cut in the normal manner.

Finishing edges (Fig. 23)

To trim edges or make dimensional adjustments, run the blade lightly along the cut edges.

Metal cutting

Always use a suitable coolant (cutting oil) when cutting metal. Failure to do so will cause significant blade wear. The underside of the workpiece can be greased instead of using a coolant.

Rip fence set (optional accessory)

⚠ CAUTION:

- Always be sure that the tool is switched off and the battery cartridge is removed before installing or removing accessories.

1. Straight cuts (Fig. 24 & 25)

When repeatedly cutting widths of 160 mm or less, use of the rip fence will assure fast, clean, straight cuts. To install, insert the rip fence into the rectangular hole on the side of the tool base with the fence guide facing down. Slide the rip fence to the desired cutting width position, then tighten the bolt to secure it.

2. Circular cuts (Fig. 26 & 27)

When cutting circles or arcs of 170 mm or less in radius, install the rip fence as follows.

- Insert the rip fence into the rectangular hole on the side of the base with the fence guide facing up. Insert the circular guide pin through either of the two holes on the fence guide. Screw the threaded knob onto the pin to secure the pin.
- Now slide the rip fence to the desired cutting radius, and tighten the bolt to secure it in place. Then move the base all the way forward.

NOTE:

- Always use blades No. B-17, B-18, B-26 or B-27 when cutting circles or arcs.

Guide rail adapter set (accessory) (Fig. 28)

When cutting parallel and uniform width or cutting straight, the use of the guide rail and the guide rail adapter will assure the production of fast and clean cuts. To install the guide rail adapter, insert the rule bar into the square hole of the base as far as it goes. Secure the bolt with the hex wrench securely. (Fig. 29)

Install the guide rail adapter on the rail of the guide rail. Insert the rule bar into the square hole of the guide rail adapter. Put the base to the side of the guide rail, and secure the bolt securely. (Fig. 30)

⚠ CAUTION:

- Always use blades No. B-8, B-13, B-16, B-17 or 58 when using the guide rail and the guide rail adapter.

MAINTENANCE

⚠ CAUTION:

- Always be sure that the tool is switched off and the battery cartridge is removed before attempting to perform inspection or maintenance.
- Never use gasoline, benzene, thinner, alcohol or the like. Discoloration, deformation or cracks may result.

Replacing carbon brushes (Fig. 31 & 32)

Remove and check the carbon brushes regularly. Replace when they wear down to the limit mark. Keep the carbon brushes clean and free to slip in the holders. Both carbon brushes should be replaced at the same time. Use only identical carbon brushes.

Use a screwdriver to remove the brush holder caps. Take out the worn carbon brushes, insert the new ones and secure the brush holder caps.

To maintain product SAFETY and RELIABILITY, repairs, any other maintenance or adjustment should be performed by Makita Authorized Service Centers, always using Makita replacement parts.

OPTIONAL ACCESSORIES

⚠ CAUTION:

- These accessories or attachments are recommended for use with your Makita tool specified in this manual. The use of any other accessories or attachments might present a risk of injury to persons. Only use accessory or attachment for its stated purpose.

If you need any assistance for more details regarding these accessories, ask your local Makita Service Center.

- Jig saw blades
- Hex wrench 4
- Rip fence (guide rule) set
- Guide rail adapter set
- Guide rail set
- Anti-splintering device
- Cover plate
- Dust nozzle
- Makita genuine battery and charger

NOTE:

- Some items in the list may be included in the tool package as standard accessories. They may differ from country to country.

ENG905-1

Noise

The typical A-weighted noise level determined according to EN62841-2-11:

- Sound pressure level (L_{pA}): 84 dB (A)
- Sound power level (L_{WA}): 95 dB (A)
- Uncertainty (K): 3 dB (A)

NOTE:

- The declared noise emission value(s) has been measured in accordance with a standard test method and may be used for comparing one tool with another.
- The declared noise emission value(s) may also be used in a preliminary assessment of exposure.

⚠ WARNING:

- **Wear ear protection.**
- **The noise emission during actual use of the power tool can differ from the declared value(s) depending on the ways in which the tool is used especially what kind of workpiece is processed.**
- **Be sure to identify safety measures to protect the operator that are based on an estimation of exposure in the actual conditions of use (taking account of all parts of the operating cycle such as the times when the tool is switched off and when it is running idle in addition to the trigger time).**

ENG900-1

Vibration

The vibration total value (tri-axial vector sum) determined according to EN62841-2-11:

Work mode: cutting boards

Vibration emission ($a_{h,B}$): 7.0 m/s²

Uncertainty (K): 1.5 m/s²

Work mode: cutting sheet metal

Vibration emission ($a_{h,M}$): 3.5 m/s²

Uncertainty (K): 1.5 m/s²

ENG901-2

NOTE:

- The declared vibration total value(s) has been measured in accordance with a standard test method and may be used for comparing one tool with another.
- The declared vibration total value(s) may also be used in a preliminary assessment of exposure.

⚠ WARNING:

- **The vibration emission during actual use of the power tool can differ from the declared value(s) depending on the ways in which the tool is used especially what kind of workpiece is processed.**
- **Be sure to identify safety measures to protect the operator that are based on an estimation of exposure in the actual conditions of use (taking account of all parts of the operating cycle such as the times when the tool is switched off and when it is running idle in addition to the trigger time).**

EC DECLARATION OF CONFORMITY**For European countries only**

The EC declaration of conformity is included as Annex A to this instruction manual.

Descriptif

1	Indicateur rouge	13	Saillies	26	Trou d'amorce
2	Bouton	14	Base	27	Guide parallèle
3	Batterie	15	Clé hexagonale	28	Guide de garde
4	Marque étoilée	16	Plaque de recouvrement	29	Bouton fileté
5	Voyants lumineux	17	Dispositif anti-éclat	30	Goupille de guide circulaire
6	Bouton de vérification	18	Raccord d'aspiration	31	Règle
7	Levier de sélection du type de coupe	19	Tuyau d'aspirateur	32	Adaptateur pour guide de délignage
8	Bouton de sécurité	20	Trait de coupe	33	Guide de délignage
9	Gâchette	21	Boulon	34	Vis
10	Ouverture de l'outil	22	Fente angulaire	35	Trait de limite d'usure
11	Collier de serrage de la lame	23	Graduations	36	Bouchons de porte-charbon
12	Lame de scie sauteuse	24	Entaille en V	37	Tournevis
		25	Carter d'engrenages		

SPÉCIFICATIONS

Modèle		DJV180
Longueur de course		26 mm
Capacité de coupe max.	Bois	135 mm
	Acier doux	10 mm
	Aluminium	20 mm
Nombre de courses/mn (min ⁻¹)		0 – 2 600
Longueur hors tout		257 mm
Poids net		2,7 – 3,0 kg
Tension nominale		18 V CC

- Étant donné l'évolution constante de notre programme de recherche et de développement, les spécifications contenues dans ce manuel sont sujettes à modification sans préavis.
- Les spécifications peuvent varier suivant les pays.
- Le poids peut être différent selon les accessoires, notamment la batterie. Les associations la plus légère et la plus lourde, conformément à la procédure EPTA-01/2014, sont indiquées dans le tableau.

Batterie et chargeur applicables

Batterie	BL1815N / BL1820 / BL1820B / BL1830 / BL1830B / BL1840 / BL1840B / BL1850 / BL1850B / BL1860B
Chargeur	DC18RC / DC18RD / DC18RE / DC18SD / DC18SE / DC18SF

- Certains chargeurs et batteries répertoriés ci-dessus peuvent ne pas être disponibles selon la région où vous résidez.

⚠ AVERTISSEMENT : Utilisez uniquement les batteries et chargeurs répertoriés ci-dessus. L'utilisation de tout autre type de batterie et chargeur peut provoquer des blessures et/ou un incendie.

ENE019-1

GEA010-2

Utilisations

L'outil est conçu pour la coupe des matériaux de bois, de plastique et de métal. L'étendue de la gamme d'accessoires et de lames disponibles permet d'utiliser l'outil à des fins multiples et le rend tout particulièrement adéquat aux coupes curvilignes et circulaires.

Consignes de sécurité générales pour outils électriques

⚠ AVERTISSEMENT Veuillez lire les consignes de sécurité, instructions, illustrations et spécifications qui accompagnent cet outil électrique. Le non-respect de toutes les instructions indiquées ci-dessous peut entraîner une électrocution, un incendie et/ou de graves blessures.

Conservez toutes les mises en garde et instructions pour référence ultérieure.

Le terme "outil électrique" dans les avertissements fait référence à l'outil électrique alimenté par le secteur (avec cordon d'alimentation) ou à l'outil électrique fonctionnant sur batterie (sans cordon d'alimentation).

CONSIGNES DE SÉCURITÉ POUR SCIE SAUTEUSE SANS FIL

1. Tenez l'outil électrique par des surfaces de prise isolées lorsque vous effectuez une tâche au cours de laquelle l'accessoire de coupe peut entrer en contact avec des fils cachés. Le contact de l'accessoire de découpe avec un fil sous tension peut transmettre du courant dans les pièces métalliques exposées de l'outil électrique et électrocuter l'utilisateur.
2. Utilisez des dispositifs de serrage ou un autre moyen pratique pour fixer la pièce sur une surface de travail stable. La pièce sera instable et vous risquez d'en perdre la maîtrise si vous la tenez dans vos mains ou l'appuyez contre votre corps.
3. Portez toujours des lunettes de sécurité ou des lunettes à coques. Les lunettes ordinaires et les lunettes de soleil NE sont PAS des lunettes de sécurité.
4. Prenez garde aux clous pendant la coupe. Avant de commencer le travail, inspectez la pièce et retirez tous les clous.
5. Ne coupez pas des pièces trop grandes.
6. Avant d'effectuer la coupe, assurez-vous que le dégagement sous la pièce est suffisant pour que la lame ne heurte pas une surface dure (sol, établi, etc.).
7. Tenez l'outil fermement.
8. Assurez-vous que la lame n'est pas en contact avec la pièce avant de mettre l'outil en marche.
9. Gardez vos mains à l'écart des pièces en mouvement.
10. N'abandonnez pas l'outil alors qu'il tourne. Ne faites fonctionner l'outil qu'une fois que vous l'avez bien en main.
11. Avant de retirer la lame de la pièce, mettez toujours l'outil hors tension et attendez que la lame soit complètement immobilisée.
12. Ne touchez ni la lame ni la pièce immédiatement après la coupe ; elles peuvent être très chaudes et vous risquez de vous brûler.
13. Ne faites pas tourner l'outil à vide inutilement.
14. Certains matériaux contiennent des produits chimiques susceptibles d'être toxiques. Prenez garde de ne pas avaler la poussière et évitez tout contact avec la peau. Suivez les données de sécurité du fournisseur du matériau.
15. Portez toujours un masque antipoussières/un masque filtrant adapté au matériau travaillé et à l'application utilisée.

CONSERVEZ CES INSTRUCTIONS.

AVERTISSEMENT :

NE vous laissez PAS tromper (au fil d'une utilisation répétée) par un sentiment d'aisance et de familiarité avec le produit, en négligeant le respect rigoureux des consignes de sécurité qui accompagnent le produit en question. La MAUVAISE UTILISATION de l'outil ou l'ignorance des consignes de sécurité indiquées dans ce mode d'emploi peut entraîner de graves blessures.

CONSIGNES DE SÉCURITÉ IMPORTANTES POUR LA BATTERIE

1. Avant d'utiliser la batterie, lisez toutes les instructions et précautions relatives (1) au chargeur de batterie, (2) à la batterie, et (3) au produit utilisant la batterie.
2. Ne démontez pas la batterie.
3. Cessez immédiatement l'utilisation si le temps de fonctionnement devient excessivement court. Il y a risque de surchauffe, de brûlures, voire d'explosion.
4. Si l'électrolyte pénètre dans vos yeux, rincez-les à l'eau claire et consultez immédiatement un médecin. Il y a risque de perte de la vue.
5. Ne court-circuitez pas la batterie :
 - (1) Ne touchez les bornes avec aucun matériau conducteur.
 - (2) Évitez de ranger la batterie dans un conteneur avec d'autres objets métalliques, par exemple des clous, des pièces de monnaie, etc.
 - (3) N'exposez pas la batterie à l'eau ou à la pluie.

Un court-circuit de la batterie peut provoquer une intensité de courant élevée, une surchauffe, parfois des brûlures et même une panne.

6. Ne rangez pas l'outil et la batterie dans un endroit où la température risque d'atteindre ou de dépasser 50 °C.
7. Ne jetez pas la batterie au feu même si elle est sérieusement endommagée ou complètement épuisée. La batterie peut exploser au contact du feu.
8. Évitez de laisser tomber ou de cogner la batterie.
9. N'utilisez pas la batterie si elle est endommagée.
10. Les batteries au lithium-ion contenues sont soumises aux exigences de la législation sur les marchandises dangereuses.

Lors du transport commercial par des tierces parties ou des transitaires par exemple, des exigences spécifiques en matière d'étiquetage et d'emballage doivent être respectées.

Pour la préparation de l'article expédié, il est nécessaire de consulter un expert en matériau dangereux. Veuillez également respecter les réglementations nationales susceptibles d'être plus détaillées.

Recouvrez les contacts exposés avec du ruban adhésif ou du ruban de masquage et emballez la batterie de telle sorte qu'elle ne puisse pas bouger dans l'emballage.

11. Suivez les réglementations locales en matière de mise au rebut des batteries.
12. Utilisez les batteries uniquement avec les produits spécifiés par Makita. L'insertion de batteries dans des produits non conformes peut provoquer un incendie, une chaleur excessive, une explosion ou une fuite de l'électrolyte.

CONSERVEZ CES INSTRUCTIONS.

⚠ ATTENTION :

N'utilisez que des batteries Makita d'origine. L'utilisation de batteries de marque autre que Makita ou de batteries modifiées peut provoquer l'explosion des batteries, ce qui présente un risque d'incendie, de dommages matériels et corporels. Cela annulera également la garantie Makita pour l'outil et le chargeur Makita.

Conseils pour assurer la durée de vie optimale de la batterie

1. **Chargez la batterie avant qu'elle ne soit complètement déchargée. Arrêtez toujours l'outil et rechargez la batterie quand vous remarquez que la puissance de l'outil diminue.**
2. **Ne rechargez jamais une batterie complètement chargée. La surcharge réduit la durée de service de la batterie.**
3. **Chargez la batterie à une température ambiante comprise entre 10 °C et 40 °C. Avant de charger une batterie chaude, laissez-la refroidir.**
4. **Rechargez la batterie si elle est restée inutilisée pendant une période prolongée (plus de six mois).**

DESCRIPTION DU FONCTIONNEMENT

⚠ ATTENTION :

- Assurez-vous toujours que l'outil est hors tension et que sa batterie est retirée avant de l'ajuster ou de vérifier son fonctionnement.

Installation ou retrait de la batterie (Fig. 1)

⚠ ATTENTION :

- Mettez toujours l'outil hors tension avant de poser ou de retirer la batterie.
- **Lorsque vous posez ou retirez la batterie, tenez fermement l'outil et la batterie.** Si vous ne tenez pas fermement l'outil et la batterie, ils risquent de s'abîmer en vous glissant des mains, et vous courez un risque de blessure corporelle.

Pour retirer la batterie, faites-la glisser hors de l'outil tout en faisant glisser le bouton qui se trouve à l'avant de la batterie.

Pour poser la batterie, alignez sa languette sur la rainure à l'intérieur du carter, et faites-la glisser en place. Insérez-la à fond, jusqu'à ce qu'elle se mette en place avec un léger déclic. Si vous pouvez voir l'indicateur rouge du côté supérieur du bouton, la batterie n'est pas complètement verrouillée.

⚠ ATTENTION :

- Insérez toujours la batterie à fond, jusqu'à ce que l'indicateur rouge ne soit plus visible. Sinon, elle pourrait tomber accidentellement de l'outil, au risque de vous blesser ou de blesser quelqu'un se trouvant près de vous.
- Ne forcez pas pour insérer la batterie. Si elle ne glisse pas facilement, c'est que vous ne l'insérez pas correctement.

Dispositif de protection de la batterie (batterie au lithium-ion avec marque étoilée) (Fig. 2)

Les batteries au lithium-ion qui portent une marque étoilée sont dotées d'un dispositif de protection. Ce dispositif coupe automatiquement l'alimentation de l'outil pour prolonger la durée de service de la batterie.













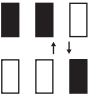


Si l'outil et/ou la batterie se trouve dans l'une ou l'autre des situations suivantes, l'outil cessera automatiquement de fonctionner :

- **Surchargé :**
L'outil est utilisé de manière telle qu'il consomme un courant anormalement élevé.
Il faut alors libérer la gâchette de l'outil et cesser l'application qui cause la surcharge. Tirez ensuite de nouveau sur la gâchette pour redémarrer.
Si l'outil ne démarre pas, cela signifie que la batterie est trop chaude. Il faut alors laisser refroidir la batterie avant de tirer de nouveau sur la gâchette.
- **Faible tension de la batterie :**
La charge restante de la batterie étant trop faible, l'outil ne fonctionne pas. Le cas échéant, retirez la batterie et rechargez-la.

Affichage de la charge restante de la batterie (Fig. 3)

Uniquement pour les batteries avec témoin

Appuyez sur le bouton de vérification situé sur la batterie pour afficher la charge restante de la batterie. Les voyants lumineux s'allument pendant quelques secondes.

Voyants lumineux			Capacité restante
 allumé	 éteint	 clignotant	
			75 % à 100 %
			50 % à 75 %
			25 % à 50 %
			0 % à 25 %
			Chargez la batterie.
			La batterie est probablement défectueuse.

015658

NOTE :

- En fonction des conditions d'utilisation et de la température ambiante, la charge restante affichée peut différer légèrement de la valeur réelle.

Sélection du type de coupe (Fig. 4)

L'outil peut effectuer des coupes orbitales ou des coupes en ligne droite (vers le haut et vers le bas). La coupe orbitale lance la lame vers l'avant sur la course de coupe et améliore grandement la vitesse de coupe.

Pour modifier le type de coupe, tournez simplement le levier de sélection du type de coupe sur la position correspondant au type de coupe voulu. Pour sélectionner le type de coupe, reportez-vous au tableau ci-dessous.

Position	Type de coupe	Applications
0	Coupe en ligne droite	Pour la coupe d'acier doux, d'acier inoxydable et de matériaux en plastique. Pour des coupes nettes dans du bois et du contreplaqué.
I	Coupe à petite orbite	Pour la coupe d'acier doux, d'aluminium et de bois dur.
II	Coupe à orbite moyenne	Pour la coupe de bois et de contreplaqué. Pour des coupes rapides dans de l'aluminium et de l'acier doux.
III	Coupe à grande orbite	Pour la coupe rapide de bois et de contreplaqué.

006376

Interrupteur (Fig. 5 et 6)

⚠ ATTENTION :

- Avant de mettre la batterie dans l'outil, vérifiez toujours que la gâchette fonctionne correctement et qu'elle revient sur la position "OFF" quand vous la relâchez.
- Une fois l'utilisation de l'outil terminée, enfoncez le bouton de sécurité du côté A pour verrouiller la gâchette en position d'arrêt.

Un bouton de sécurité est fourni pour prévenir l'activation accidentelle de la gâchette.

Pour faire démarrer l'outil, enfoncez le bouton de sécurité du côté B et appuyez sur la gâchette.

L'augmentation de la pression exercée sur la gâchette fait accélérer l'outil. Pour arrêter l'outil, relâchez la gâchette. Après l'utilisation, enfoncez toujours le bouton de sécurité du côté A.

Allumage de la lampe

⚠ ATTENTION :

- Évitez de regarder directement le faisceau lumineux ou sa source.

Pour allumer la lampe, appuyez sur la gâchette. Pour l'éteindre, relâchez la gâchette.

NOTE :

- Utilisez un chiffon sec pour essuyer la saleté qui recouvre la lentille de la lampe. Prenez garde de rayer la lentille de la lampe, pour éviter une diminution de l'éclairage.

ASSEMBLAGE

⚠ ATTENTION :

- Assurez-vous toujours que l'outil est hors tension et que sa batterie est retirée avant d'effectuer tout travail dessus.

Pose et dépose de la lame de scie sauteuse

⚠ ATTENTION :

- Enlevez toujours les copeaux et autres corps étrangers qui adhèrent à la lame et/ou à la tige porte-lame. Sinon, la lame risque de ne pas être suffisamment serrée, ce qui pourrait provoquer de graves blessures.
- Ne touchez ni la lame ni la pièce travaillée immédiatement après l'opération ; elles peuvent être extrêmement chaudes et brûler votre peau.
- Serrez la lame fermement. Sinon, il y a risque de blessure grave.

- Lors de la dépose de la lame, prenez garde de vous blesser aux doigts avec l'extrémité de la lame ou les bouts de la pièce.

Pour installer la lame, déployez l'ouverture de l'outil sur la position indiquée sur l'illustration. (Fig. 7)

En maintenant l'ouverture sur cette position, insérez la lame dans le collier de serrage, jusqu'à ce que les deux saillies de la lame ne soient plus visibles. (Fig. 8) Remettez l'ouverture de l'outil sur sa position initiale. Une fois la lame posée, tirez dessus pour vous assurer qu'elle demeure fermement en place.

⚠ ATTENTION :

- Ne déployez pas l'ouverture de l'outil de manière excessive, pour éviter d'endommager l'outil.

Pour retirer la lame, déployez l'ouverture de l'outil sur la position indiquée sur l'illustration. (Fig. 9) Retirez la lame en la tirant vers la base de l'outil.

NOTE :

- Lubrifiez de temps en temps la roulette.

Rangement de la clé hexagonale (Fig. 10)

Après l'utilisation de la clé hexagonale, rangez-la tel qu'indiqué sur l'illustration pour éviter de la perdre.

Plaque de recouvrement (Fig. 11)

Utilisez la plaque de recouvrement lors de la coupe des matériaux décoratifs de placage, de plastique, etc. Cette plaque protège contre les dommages les surfaces fragiles ou délicates. Installez-la par l'arrière de la base de l'outil.

Dispositif anti-éclat (Fig. 12)

L'utilisation du dispositif anti-éclat permet d'obtenir des coupes sans éclats. Pour l'installer, déplacez la base de l'outil complètement vers l'avant, puis installez le dispositif par l'arrière de la base de l'outil. Lorsque vous utilisez la plaque de recouvrement, installez le dispositif anti-éclat sur cette dernière.

⚠ ATTENTION :

- Vous ne pouvez pas utiliser le dispositif anti-éclat pour les coupes en biais.

Collecte de poussière

Afin d'assurer la propreté lors des opérations de coupe, il est préférable d'utiliser le raccord d'aspiration (accessoire en option). (Fig. 13)

Pour fixer le raccord d'aspiration à l'outil, insérez le crochet du raccord dans l'orifice de la base.

Le raccord d'aspiration peut être installé d'un côté comme de l'autre de la base. (Fig. 14)
Raccordez ensuite un aspirateur Makita au raccord d'aspiration. (Fig. 15)

UTILISATION

⚠ ATTENTION :

- Maintenez toujours la base de l'outil exactement au niveau du matériau. Sinon, vous risquez de briser la lame et de vous blesser grièvement. (Fig. 16)

Mettez l'outil en marche alors que la lame ne touche à rien et attendez qu'elle ait atteint sa pleine vitesse. Puis, amenez la base en contact avec le matériau à scier, et déplacez normalement l'outil vers l'avant en suivant le trait marqué préalablement.

NOTE :

- Si l'outil a fonctionné de façon continue jusqu'à ce que la batterie soit déchargée, laissez-le reposer pendant 15 minutes avant de recommencer avec une batterie fraîche.

Faites avancer l'outil très lentement quand la lame doit suivre des courbes.

Coupe en biais (Fig. 17)

⚠ ATTENTION :

- Assurez-vous toujours que l'outil est hors tension et que la batterie est retirée avant d'incliner la base.

En inclinant la base de l'outil, vous pouvez effectuer des coupes en biais sur tout angle compris entre 0° et 45° (vers la gauche ou la droite).

Desserrez le boulon qui se trouve à l'arrière de la base de l'outil à l'aide de la clé hexagonale. Déplacez la base de l'outil de façon que le boulon se trouve au centre de la fente angulaire sur la base. (Fig. 18)

Inclinez la base de l'outil de façon à obtenir l'angle de biseau voulu. L'entaille en V du carter d'engrenages indique l'angle de biseau au moyen de graduations. Serrez ensuite fermement le boulon pour fixer la base. (Fig. 19)

Sciage au ras d'un obstacle

Desserrez le boulon qui se trouve à l'arrière de la base à l'aide de la clé hexagonale, et faites glisser la base complètement vers l'arrière. Puis, serrez le boulon pour fixer la base de l'outil. (Fig. 20)

Découpes

Nes découpes s'effectuent suivant deux méthodes, A ou B.

A) Perçage d'un trou d'amorce (Fig. 21) :

Pour les découpes internes sans entaille d'amorce sur le bord du matériau, percez à trou d'amorce de 12 mm de diamètre ou plus. Insérez la lame dans ce trou pour commencer la découpe.

B) Attaque en plein bois (Fig. 22) :

Vous n'aurez pas besoin de percer un trou d'amorce ni de faire une entaille d'amorce si vous procédez délicatement comme suit.

1. Inclinez l'avant de l'outil vers l'avant sur le bord avant de la base, la lame étant placée juste au-dessus de la surface du matériau.
2. Appuyez sur l'outil de façon que le bord avant de la base ne bouge pas quand vous mettez l'outil en marche, et abaissez lentement et délicatement l'arrière de l'outil.

3. Lorsque la lame traverse le matériau, abaissez lentement la base de l'outil sur la surface du matériau.

4. Terminez la coupe normalement.

Finition des bords (Fig. 23)

Pour équarrir les bords ou faire des ajustements de dimension, passez légèrement la lame sur les bords de coupe.

Coupe de métal

Utilisez toujours un liquide de refroidissement (huile de coupe) pour couper du métal. Sinon, la lame s'usera très rapidement. Vous pouvez aussi enduire directement la face intérieure du matériau de graisse, au lieu d'utiliser un liquide de refroidissement.

Ensemble de guide parallèle (accessoire en option)

⚠ ATTENTION :

- Assurez-vous toujours que l'outil est hors tension et que sa batterie est retirée avant d'installer ou de retirer des accessoires.

1. Coupes droites (Fig. 24 et 25)

Pour couper régulièrement des largeurs égales ou inférieures à 160 mm, utilisez le guide parallèle pour obtenir des coupes rapides, nettes et droites. Pour installer le guide parallèle, insérez-le dans l'orifice rectangulaire situé sur le côté de la base de l'outil, avec le guide parallèle tourné vers le bas. Positionnez le guide parallèle à la largeur de coupe voulue, puis vissez le boulon pour fixer le guide.

2. Coupes circulaires (Fig. 26 et 27)

Pour découper des arcs de cercle d'un rayon égal ou inférieur à 170 mm, installez le guide parallèle comme suit.

- Insérez le guide parallèle dans l'orifice rectangulaire situé sur le côté de la base de l'outil, avec le guide parallèle tourné vers le haut. Insérez la goupille de guide circulaire dans l'un des deux trous du guide de garde. Vissez le boulon fileté sur la goupille pour fixer la goupille.
- Puis, positionnez le guide parallèle sur le rayon de coupe voulu, et serrez le boulon pour fixer le guide. Ensuite, faites glisser la base de l'outil à fond vers l'avant.

NOTE :

- Utilisez toujours des lames n° B-17, B-18, B-26 ou B-27 pour découper des cercles ou des arcs de cercle.

Ensemble d'adaptateur pour guide de délignage (accessoire) (Fig. 28)

L'utilisation du guide de délignage et de son adaptateur assure un travail rapide et propre lors des coupes parallèles de largeur uniforme, ou lors des coupes rectilignes. Pour installer l'adaptateur pour guide de délignage, insérez à fond la règle dans l'orifice carré de la base. Serrez ensuite le boulon fermement au moyen de la clé hexagonale. (Fig. 29)

Installez l'adaptateur pour guide de délignage sur la barre du guide de délignage. Insérez la règle dans l'orifice carré de l'adaptateur pour guide de délignage. Placez la base à côté du guide de délignage, puis serrez le boulon fermement. (Fig. 30)

⚠ ATTENTION :

- Utilisez toujours une lame n° B-8, B-13, B-16, B-17 ou 58 lorsque vous utilisez le guide de délimitage et son adaptateur.

ENTRETIEN**⚠ ATTENTION :**

- Assurez-vous toujours que l'outil est hors tension et que la batterie est retirée avant d'y effectuer tout travail d'inspection ou d'entretien.
- N'utilisez jamais d'essence, benzine, diluant, alcool ou autre produit similaire. Cela risquerait de provoquer la décoloration, la déformation ou la fissuration de l'outil.

Remplacement des charbons (Fig. 31 et 32)

Retirez et vérifiez régulièrement les charbons. Remplacez-les lorsqu'ils sont usés jusqu'au trait de limite d'usure. Maintenez les charbons propres et en état de glisser aisément dans les porte-charbon. Les deux charbons doivent être remplacés en même temps. N'utilisez que des charbons identiques.

Utilisez un tournevis pour retirer les bouchons de porte-charbon. Enlevez les charbons usés, insérez-en de nouveaux et revissez solidement les bouchons de porte-charbon.

Pour maintenir la SÉCURITÉ et la FIABILITÉ du produit, les réparations, travaux d'entretien et autres réglages doivent être effectués dans un centre de service Makita agréé, exclusivement avec des pièces de rechange Makita.

ACCESSOIRES EN OPTION**⚠ ATTENTION :**

- Ces accessoires ou pièces complémentaires sont recommandés pour l'utilisation avec l'outil Makita spécifié dans ce mode d'emploi. L'utilisation de tout autre accessoire ou pièce complémentaire peut comporter un risque de blessure. N'utilisez les accessoires ou pièces qu'aux fins auxquelles ils ont été conçus.

Si vous désirez obtenir plus de détails concernant ces accessoires, veuillez contacter le centre de service après-vente Makita le plus près.

- Lames de scie sauteuse
- Clé hexagonale 4
- Ensemble de guide parallèle (Garde parallèle)
- Ensemble d'adaptateur pour guide de délimitage
- Ensemble de guide de délimitage
- Dispositif anti-éclat
- Plaque de recouvrement
- Raccord d'aspiration
- Batterie et chargeur Makita authentiques

NOTE :

- Il se peut que certains éléments de la liste soient compris dans l'emballage de l'outil en tant qu'accessoires standard. Ils peuvent varier d'un pays à l'autre.

ENG905-1

Bruit

Niveau de bruit pondéré A typique, déterminé selon EN62841-2-11 :

Niveau de pression sonore (L_{pA}) : 84 dB (A)
 Niveau de puissance sonore (L_{WA}) : 95 dB (A)
 Incertitude (K) : 3 dB (A)

NOTE :

- La ou les valeurs d'émission de bruit déclarées ont été mesurées conformément à la méthode de test standard et peuvent être utilisées pour comparer les outils entre eux.
- La ou les valeurs d'émission de bruit déclarées peuvent aussi être utilisées pour l'évaluation préliminaire de l'exposition.

⚠ AVERTISSEMENT :

- **Portez un serre-tête antibruit.**
- **L'émission de bruit lors de l'usage réel de l'outil électrique peut être différente de la ou des valeurs déclarées, suivant la façon dont l'outil est utilisé, particulièrement selon le type de pièce usinée.**
- **Les mesures de sécurité à prendre pour protéger l'utilisateur doivent être basées sur une estimation de l'exposition dans des conditions réelles d'utilisation (en tenant compte de toutes les composantes du cycle d'utilisation, comme par exemple le moment de sa mise hors tension, lorsqu'il tourne à vide et le moment de son déclenchement).**

ENG900-1

Vibrations

Valeur totale de vibrations (somme de vecteur triaxial) déterminée selon EN62841-2-11 :

Mode de travail : plaques de coupe
 Émission de vibrations ($a_{h, B}$) : 7,0 m/s²
 Incertitude (K) : 1,5 m/s²

Mode de travail : coupe de la tôle
 Émission de vibrations ($a_{h, M}$) : 3,5 m/s²
 Incertitude (K) : 1,5 m/s²

ENG901-2

NOTE :

- La ou les valeurs de vibration totales déclarées ont été mesurées conformément à la méthode de test standard et peuvent être utilisées pour comparer les outils entre eux.
- La ou les valeurs de vibration totales déclarées peuvent aussi être utilisées pour l'évaluation préliminaire de l'exposition.

⚠ AVERTISSEMENT :

- **L'émission de vibrations lors de l'usage réel de l'outil électrique peut être différente de la ou des valeurs déclarées, suivant la façon dont l'outil est utilisé, particulièrement selon le type de pièce usinée.**
- **Les mesures de sécurité à prendre pour protéger l'utilisateur doivent être basées sur une estimation de l'exposition dans des conditions réelles d'utilisation (en tenant compte de toutes les composantes du cycle d'utilisation, comme par exemple le moment de sa mise hors tension, lorsqu'il tourne à vide et le moment de son déclenchement).**

DÉCLARATION DE CONFORMITÉ CE**Pour les pays d'Europe uniquement**

La déclaration de conformité CE est fournie en Annexe A à ce mode d'emploi.

Übersicht

1 Rote Anzeige	14 Grundplatte	27 Parallelanschlag
2 Knopf	15 Innensechskantschlüssel	28 Anschlagführung
3 Blockakku	16 Gleitplatte	29 Gewindeknopf
4 Sternsymbol	17 Spanreißschutz	30 Dorn für Kreisschneider
5 Anzeigelampen	18 Absaugstutzen	31 Führungsstange
6 Prüftaste	19 Schlauch für Staubsauger	32 Führungsanschlag
7 Pendelhub-Umschalthebel	20 Schnittlinie	33 Führungsschiene
8 Einschaltsperrknopf	21 Schraube	34 Schraube
9 Elektronikschalter	22 Kreuzschlitz	35 Verschleißgrenze
10 Klemmenhebel	23 Teilstriche	36 Bürstenhalterkappe
11 Sägeblattklemme	24 Kerbnut	37 Schraubendreher
12 Sägeblatt	25 Getriebegehäuse	
13 Vorsprünge	26 Vorbohrung	

TECHNISCHE DATEN

Modell		DJV180
Hubhöhe		26 mm
Maximale Schnitttiefe	Holz	135 mm
	Weichstahl	10 mm
	Aluminium	20 mm
Hubzahl pro Minute (min ⁻¹)		0 – 2 600
Gesamtlänge		257 mm
Nettogewicht		2,7 – 3,0 kg
Nennspannung		DC 18 V

- Wir behalten uns vor, Änderungen im Zuge der Entwicklung und des technischen Fortschritts ohne vorherige Ankündigung vorzunehmen.
- Die technischen Daten können von Land zu Land abweichen.
- Das Gewicht kann je nach dem Aufsatz bzw. den Aufsätzen, einschließlich des Akkus, unterschiedlich sein. Die leichteste und die schwerste Kombination nach dem EPTA-Verfahren 01/2014 sind in der Tabelle angegeben.

Zutreffende Akkus und Ladegeräte

Akku	BL1815N / BL1820 / BL1820B / BL1830 / BL1830B / BL1840 / BL1840B / BL1850 / BL1850B / BL1860B
Ladegerät	DC18RC / DC18RD / DC18RE / DC18SD / DC18SE / DC18SF

- Einige der oben aufgeführten Akkus und Ladegeräte sind je nach Ihrem Wohngebiet eventuell nicht erhältlich.
- ⚠ **WARNUNG: Verwenden Sie nur die oben aufgeführten Akkus und Ladegeräte.** Bei Verwendung anderer Akkus und Ladegeräte besteht Verletzungs- und/oder Brandgefahr.

ENE019-1

GEA010-2

Vorgesehene Verwendung

Diese Maschine ist für das Sägen von Holz, Kunststoff und Metall vorgesehen. Dank des umfangreichen Zubehör- und Sägeblattprogramms kann die Maschine für viele Zwecke eingesetzt werden und eignet sich ideal für Bogen- oder Kreisschnitte.

Allgemeine Sicherheitswarnungen für Elektrowerkzeuge

⚠ **WARNUNG Lesen Sie alle mit diesem Elektrowerkzeug gelieferten Sicherheitswarnungen, Anweisungen, Abbildungen und technischen Daten durch.** Eine Missachtung der unten aufgeführten Anweisungen kann zu einem elektrischen Schlag, Brand und/oder schweren Verletzungen führen.

Bewahren Sie alle Warnungen und Anweisungen für spätere Bezugnahme auf.

Der Ausdruck „Elektrowerkzeug“ in den Warnhinweisen bezieht sich auf Ihr mit Netzstrom (mit Kabel) oder Akku (ohne Kabel) betriebenes Elektrowerkzeug.

SICHERHEITSWARNUNGEN FÜR AKKU-STICHSÄGE

1. Halten Sie das Elektrowerkzeug an den isolierten Griffflächen, wenn Sie Arbeiten ausführen, bei denen die Gefahr besteht, dass das Schneidwerkzeug verborgene Kabel kontaktiert. Bei Kontakt mit einem Strom führenden Kabel können die freiliegenden Metallteile des Elektrowerkzeugs ebenfalls Strom führend werden, so dass der Benutzer einen elektrischen Schlag erleiden kann.
2. Verwenden Sie Klemmen oder eine andere praktische Methode, um das Werkstück auf einer stabilen Unterlage zu sichern und abzustützen. Wenn Sie das Werkstück nur von Hand oder gegen Ihren Körper halten, befindet es sich in einer instabilen Lage, die zum Verlust der Kontrolle führen kann.
3. Tragen Sie stets eine Sicherheits- oder Schutzbrille. Eine gewöhnliche Brille oder Sonnenbrille ist KEIN Ersatz für eine Sicherheitsbrille.
4. Vermeiden Sie das Schneiden von Nägeln. Untersuchen Sie das Werkstück auf Nägel, und entfernen Sie diese vor der Bearbeitung.
5. Schneiden Sie keine übergroßen Werkstücke.
6. Vergewissern Sie sich vor dem Schneiden, dass genügend Platz hinter dem Werkstück vorhanden ist, damit das Sägeblatt nicht auf den Boden, die Werkbank usw. trifft.
7. Halten Sie das Werkzeug mit festem Griff.
8. Vergewissern Sie sich vor dem Einschalten des Werkzeugs, dass das Sägeblatt nicht das Werkstück berührt.
9. Halten Sie die Hände von beweglichen Teilen fern.
10. Lassen Sie das Werkzeug nicht unbeaufsichtigt laufen. Benutzen Sie das Werkzeug nur im handgeführten Einsatz.
11. Schalten Sie das Werkzeug stets aus, und warten Sie, bis das Sägeblatt zum vollständigen Stillstand kommt, bevor Sie das Sägeblatt aus dem Werkstück entfernen.
12. Vermeiden Sie eine Berührung des Sägeblatts oder des Werkstücks unmittelbar nach der Bearbeitung, weil sie dann möglicherweise noch sehr heiß sind und Hautverbrennungen verursachen können.
13. Lassen Sie das Werkzeug nicht unnötig im Leerlauf laufen.
14. Manche Materialien können giftige Chemikalien enthalten. Treffen Sie Vorsichtsmaßnahmen, um das Einatmen von Arbeitsstaub und Hautkontakt zu verhüten. Befolgen Sie die Sicherheitsdaten des Materiallieferanten.
15. Verwenden Sie stets die korrekte Staubschutz-/Atemmaske für das jeweilige Material und die Anwendung.

DIESE ANWEISUNGEN AUFBEWAHREN.

WARNUNG:

Lassen Sie sich NICHT durch Bequemlichkeit oder Vertrautheit mit dem Produkt (durch wiederholten Gebrauch erworben) von der strikten Einhaltung der Sicherheitsregeln für das vorliegende Produkt abhalten. MISSBRAUCH oder Missachtung der Sicherheitsvorschriften in dieser Anleitung können schwere Personenschäden verursachen.

WICHTIGE SICHERHEITSANWEISUNGEN FÜR AKKU

1. Lesen Sie vor der Benutzung des Akkus alle Anweisungen und Warnhinweise, die an (1) Ladegerät, (2) Akku und (3) Akkuwerkzeug angebracht sind.
2. Unterlassen Sie ein Zerlegen des Akkus.
3. Falls die Betriebszeit beträchtlich kürzer geworden ist, stellen Sie den Betrieb sofort ein. Anderenfalls besteht die Gefahr von Überhitzung, möglichen Verbrennungen und sogar einer Explosion.
4. Falls Elektrolyt in Ihre Augen gelangt, waschen Sie sie mit sauberem Wasser aus, und begeben Sie sich unverzüglich in ärztliche Behandlung. Anderenfalls können Sie Ihre Sehkraft verlieren.
5. Der Akku darf nicht kurzgeschlossen werden:
 - (1) Die Kontakte dürfen nicht mit leitfähigem Material berührt werden.
 - (2) Lagern Sie den Akku nicht in einem Behälter zusammen mit anderen Metallgegenständen, wie z. B. Nägel, Münzen usw.
 - (3) Setzen Sie den Akku weder Wasser noch Regen aus.

Ein Kurzschluss des Akkus verursacht starken Stromfluss, der Überhitzung, mögliche Verbrennungen und einen Defekt zur Folge haben kann.

6. Lagern Sie das Werkzeug und den Akku nicht an Orten, an denen die Temperatur 50°C erreichen oder überschreiten kann.
7. Versuchen Sie niemals, den Akku zu verbrennen, selbst wenn er stark beschädigt oder vollkommen verbraucht ist. Der Akku kann im Feuer explodieren.
8. Achten Sie darauf, dass der Akku nicht fallen gelassen oder Stößen ausgesetzt wird.
9. Benutzen Sie keine beschädigten Akkus.
10. Die enthaltenen Lithium-Ionen-Akkus unterliegen den Anforderungen der Gefahrgut-Gesetzgebung.

Für kommerzielle Transporte, z. B. durch Dritte oder Spediteure, müssen besondere Anforderungen zu Verpackung und Etikettierung beachtet werden. Zur Vorbereitung des zu transportierenden Artikels ist eine Beratung durch einen Experten für Gefahrgut erforderlich. Bitte beachten Sie möglicherweise ausführlichere nationale Vorschriften. Überkleben oder verdecken Sie offene Kontakte, und verpacken Sie den Akku so, dass er sich in der Verpackung nicht umher bewegen kann.
11. Befolgen Sie die örtlichen Bestimmungen bezüglich der Entsorgung von Akkus.
12. Verwenden Sie die Akkus nur mit den von Makita angegebenen Produkten. Das Einsetzen der Akkus in nicht konforme Produkte kann zu einem Brand, übermäßiger Hitzebildung, einer Explosion oder Auslaufen von Elektrolyt führen.

Das Einsetzen der Akkus in nicht konforme Produkte kann zu einem Brand, übermäßiger Hitzebildung, einer Explosion oder Auslaufen von Elektrolyt führen.

DIESE ANWEISUNGEN AUFBEWAHREN.

⚠ VORSICHT:

Verwenden Sie nur **Original-Makita-Akkus**. Die Verwendung von Nicht-Original-Makita-Akkus oder von Akkus, die abgeändert worden sind, kann zum Bersten des Akkus und daraus resultierenden Bränden, Personenschäden und Beschädigung führen. Außerdem wird dadurch die Makita-Garantie für das Makita-Werkzeug und -Ladegerät ungültig.

Hinweise zur Aufrechterhaltung der maximalen Akku-Nutzungsdauer

1. **Laden Sie den Akku, bevor er vollkommen erschöpft ist. Schalten Sie das Werkzeug stets aus, und laden Sie den Akku, wenn Sie ein Nachlassen der Werkzeugleistung feststellen.**
2. **Unterlassen Sie erneutes Laden eines voll aufgeladenen Akkus. Überladen führt zu einer Verkürzung der Nutzungsdauer des Akkus.**
3. **Laden Sie den Akku bei Raumtemperatur zwischen 10 – 40°C. Lassen Sie einen heißen Akku abkühlen, bevor Sie ihn laden.**
4. **Der Akku muss geladen werden, wenn er lange Zeit (länger als sechs Monate) nicht benutzt wird.**

FUNKTIONSBESCHREIBUNG

⚠ VORSICHT:

- Vergewissern Sie sich vor der Durchführung von Einstellungen oder Funktionsprüfungen der Maschine stets, dass die Maschine ausgeschaltet und der Akku abgenommen ist.

Anbringen und Abnehmen des Akkus (Abb. 1)

⚠ VORSICHT:

- Schalten Sie stets die Maschine aus, bevor Sie den Akku anbringen oder abnehmen.
- **Halten Sie Maschine und Akku beim Anbringen oder Abnehmen des Akkus sicher fest.** Wenn Sie Maschine und Akku nicht sicher festhalten, können sie Ihnen aus der Hand rutschen, was zu einer Beschädigung der Maschine und des Akkus und zu Körperverletzungen führen kann.

Ziehen Sie den Akku zum Abnehmen von der Maschine ab, während Sie den Knopf an der Vorderseite des Akkus verschieben.

Richten Sie zum Anbringen des Akkus dessen Führungsfeder auf die Nut im Gehäuse aus, und schieben Sie den Akku hinein. Schieben Sie ihn vollständig ein, bis er mit einem hörbaren Klicken einrastet. Falls die rote Anzeige an der Oberseite des Knopfes sichtbar ist, ist der Akku-Adapter nicht vollständig verriegelt.

⚠ VORSICHT:

- Schieben Sie den Akku stets bis zum Anschlag ein, bis die rote Anzeige nicht mehr sichtbar ist. Anderenfalls kann er aus der Maschine herausfallen und Sie oder umstehende Personen verletzen.
- Unterlassen Sie Gewaltanwendung beim Anbringen des Akkus. Falls der Akku nicht reibungslos hineingleitet, ist er nicht richtig ausgerichtet.

Akku-Schutzsystem (Lithium-Ionen-Akku mit Sternsymbol) (Abb. 2)

Lithium-Ionen-Akkus mit Sternsymbol sind mit einem Schutzsystem ausgestattet. Dieses System schaltet die Stromversorgung der Maschine automatisch ab, um die Akku-Lebensdauer zu verlängern.












Die Maschine schaltet sich während des Betriebs automatisch ab, wenn Maschine und/oder Akku einer der folgenden Bedingungen unterliegen:

- **Überlastung:**
Die Maschine wird auf eine Weise benutzt, die eine ungewöhnlich hohe Stromaufnahme bewirkt.
Lassen Sie in dieser Situation den Elektronikschalter der Maschine los, und brechen Sie die Arbeit ab, die eine Überlastung der Maschine verursacht hat. Betätigen Sie dann den Elektronikschalter erneut, um die Maschine wieder zu starten.
Falls die Maschine nicht startet, ist der Akku überhitzt. Lassen Sie den Akku in dieser Situation abkühlen, bevor Sie den Elektronikschalter erneut betätigen.
- **Niedrige Akkuspannung:**
Die Akku-Restkapazität ist zu niedrig, und die Maschine funktioniert nicht. Nehmen Sie in dieser Situation den Akku ab, und laden Sie ihn auf.

Anzeigen der Akku-Restkapazität (Abb. 3)

Nur für Akkus mit Anzeige

Drücken Sie die Prüftaste am Akku, um die Akku-Restkapazität anzuzeigen. Die Anzeigelampen leuchten wenige Sekunden lang auf.

Anzeigelampen			Restkapazität
			
Erleuchtet	Aus	Blinkend	
			75% bis 100%
			50% bis 75%
			25% bis 50%
			0% bis 25%
			Den Akku aufladen.
			Möglicherweise liegt eine Funktionsstörung im Akku vor.

015658

HINWEIS:

- Abhängig von den Benutzungsbedingungen und der Umgebungstemperatur kann die Anzeige geringfügig von der tatsächlichen Kapazität abweichen.

Wahl der Schnittbewegung (Abb. 4)

Diese Maschine kann mit Pendelhub oder Linearhub (gerade Auf-Ab-Bewegung) betrieben werden. Bei Pendelhub wird das Sägeblatt im Schnitthub vorwärts geschoben, wodurch erheblich höhere Schnittgeschwindigkeiten möglich sind.

Zum Umschalten der Schnittbewegung drehen Sie einfach den Umschalthebel auf die Position der gewünschten Schnittbewegung. Wählen Sie die Schnittbewegung anhand der nachstehenden Tabelle aus.

Position	Schnittbewegung	Anwendungen
0	Geradlinige Schnittbewegung	Zum Schneiden von Weichstahl, Edelstahl und Kunststoff. Für saubere Schnitte in Holz und Sperrholz.
I	Kleiner Pendelhub	Zum Schneiden von Weichstahl, Aluminium und Hartholz.
II	Mittlerer Pendelhub	Zum Schneiden von Holz und Sperrholz. Für schnelles Schneiden von Aluminium und Weichstahl.
III	Großer Pendelhub	Für schnelles Schneiden von Holz und Sperrholz.

006376

Schalterfunktion (Abb. 5 und 6)

⚠ VORSICHT:

- Vergewissern Sie sich vor dem Einsetzen des Akkus in die Maschine stets, dass der Elektronikschalter ordnungsgemäß funktioniert und beim Loslassen in die AUS-Stellung zurückkehrt.
- Wenn Sie das Werkzeug nicht benutzen, drücken Sie den Einschaltsperrknopf auf der Seite A hinein, um den Elektronikschalter in der Stellung OFF zu verriegeln.

Um versehentliche Betätigung des Elektronikschalters zu verhüten, ist das Werkzeug mit einem Einschaltsperrknopf ausgestattet.

Um das Werkzeug zu starten, drücken Sie den Einschaltsperrknopf auf der Seite B hinein und drücken den Elektronikschalter.

Die Drehzahl erhöht sich durch verstärkte Druckausübung auf den Elektronikschalter. Zum Ausschalten den Elektronikschalter loslassen. Drücken Sie nach der Benutzung stets den Einschaltsperrknopf auf der Seite A hinein.

Einschalten der Lampen

⚠ VORSICHT:

- Blicken Sie nicht direkt in das Licht oder die Lichtquelle.

Betätigen Sie den Elektronikschalter zum Einschalten der Lampe. Lassen Sie den Elektronikschalter zum Ausschalten der Lampe los.

HINWEIS:

- Wischen Sie Schmutz auf der Linse der Lampe mit einem trockenen Tuch ab. Achten Sie sorgfältig darauf, dass Sie die Linse der Lampe nicht verkratzen, weil sich sonst die Lichtstärke verringert.

MONTAGE

⚠ VORSICHT:

- Vergewissern Sie sich vor der Ausführung von Arbeiten an der Maschine stets, dass die Maschine ausgeschaltet und der Akku abgenommen ist.

Montage/Demontage des Sägeblatts

⚠ VORSICHT:

- Säubern Sie Sägeblatt und/oder Sägeblatthalter stets von anhaftenden Spänen oder Fremdkörpern. Anderenfalls besteht die Gefahr, dass das Sägeblatt nicht richtig sitzt, was zu schweren Verletzungen führen kann.
- Vermeiden Sie eine Berührung des Sägeblatts oder des Werkstücks unmittelbar nach der Bearbeitung, weil sie dann noch sehr heiß sind und Hautverbrennungen verursachen können.
- Ziehen Sie das Sägeblatt sicher fest. Anderenfalls kann es zu ernsthaften Verletzungen kommen.
- Achten Sie beim Demontieren des Sägeblatts darauf, dass Sie sich nicht die Finger an den Zähnen des Sägeblatts oder an den Zacken des Werkstücks verletzen.

Um das Sägeblatt zu installieren, öffnen Sie den Werkzeughalter auf die in der Abbildung gezeigte Stellung. (Abb. 7)

Führen Sie in diesem Zustand das Sägeblatt so weit in die Sägeblattklemme ein, bis die beiden Vorsprünge des Sägeblatts nicht mehr sichtbar sind. (Abb. 8)

Bringen Sie den Klemmenhebel wieder in seine Ausgangsstellung.

Überprüfen Sie nach der Montage stets den sicheren Sitz des Sägeblatts durch Zugversuch.

⚠ VORSICHT:

- Öffnen Sie den Klemmenhebel nicht zu weit, weil sonst die Maschine beschädigt werden kann.

Um das Sägeblatt zu entfernen, öffnen Sie den Werkzeughalter auf die in der Abbildung gezeigte Stellung. (Abb. 9) Ziehen Sie das Sägeblatt in Richtung der Grundplatte heraus.

HINWEIS:

- Schmieren Sie die Führungsrolle von Zeit zu Zeit.

Innensechskantschlüssel-Aufbewahrung

(Abb. 10)

Der Innensechskantschlüssel kann an der in der Abbildung gezeigten Stelle aufbewahrt werden, damit er nicht verloren geht.

Gleitplatte (Abb. 11)

Verwenden Sie die Gleitplatte zum Schneiden von dekorativen Furnieren, Kunststoffen usw. Sie schützt empfindliche oder feine Oberflächen vor Beschädigung. Passen Sie die Gleitplatte auf die Unterseite der Grundplatte.

Spanreißschutz (Abb. 12)

Um splitterfreie Schnitte auszuführen, empfiehlt sich die Verwendung des Spanreißschutzes. Schieben Sie die Grundplatte bis zum Anschlag nach vorne, und montieren Sie den Spanreißschutz von der Unterseite der Grundplatte. Wenn Sie die Gleitplatte verwenden, montieren Sie den Spanreißschutz auf die Gleitplatte.

⚠ VORSICHT:

- Bei Gehrungsschnitten kann der Spanreißschutz nicht verwendet werden.

Staubabsaugung

Der Absaugstutzen (Sonderzubehör) wird für sauberen Schnittbetrieb empfohlen. (Abb. 13)

Um den Absaugstutzen an der Maschine anzubringen, führen Sie seinen Haken in die Öffnung der Grundplatte ein.

Der Absaugstutzen kann sowohl auf der linken als auch der rechten Seite der Grundplatte angebracht werden. (Abb. 14)

Schließen Sie dann einen Makita-Staubsauger an den Absaugstutzen an. (Abb. 15)

BETRIEB

⚠ VORSICHT:

- Setzen Sie die Grundplatte der Stichsäge stets flach auf das Werkstück auf. Anderenfalls besteht die Gefahr eines Sägeblattbruchs, was zu schweren Verletzungen führen kann. (Abb. 16)

Schalten Sie das Werkzeug ein, ohne dass das Sägeblatt Kontakt hat, und warten Sie, bis es seine volle Hubzahl erreicht. Setzen Sie die Grundplatte flach auf das Werkstück, und bewegen Sie die Maschine entlang der vorher markierten Schnittlinie sachte vorwärts.

HINWEISE:

- Wenn das Werkzeug im Dauerbetrieb bis zur vollkommenen Entladung des Akkus benutzt wurde, lassen Sie das Werkzeug vor dem Fortsetzen des Betriebs mit einem frischen Akku 15 Minuten lang ruhen.

Der Vorschub sollte bei Kurvenschnitten gering gehalten werden.

Gehrungsschnitte (Abb. 17)

⚠ VORSICHT:

- Vergewissern Sie sich vor dem Neigen der Grundplatte stets, dass das Werkzeug ausgeschaltet und der Akku abgenommen ist.

Durch Neigen der Grundplatte können Gehrungsschnitte in jedem Winkel zwischen 0° und 45° (links oder rechts) ausgeführt werden.

Lösen Sie die Schraube an der Rückseite der Grundplatte mit dem Inbusschlüssel. Verschieben Sie die Grundplatte so, dass sich die Schraube in der Mitte des Kreuzschlitzes in der Grundplatte befindet. (Abb. 18)

Neigen Sie die Grundplatte, bis der gewünschte Winkel erreicht ist. Der Gehrungswinkel kann an der Kerbnut des Getriebegehäuses abgelesen werden. Ziehen Sie dann die Schraube zur Sicherung der Grundplatte fest an. (Abb. 19)

Randnahe Schnitte

Lösen Sie die Schraube auf der Rückseite der Grundplatte mit dem Inbusschlüssel, und schieben Sie die Grundplatte bis zum Anschlag zurück. Ziehen Sie anschließend die Innensechskantschraube zur Befestigung der Grundplatte wieder an. (Abb. 20)

Ausschnitte

Es gibt zwei Möglichkeiten, Ausschnitte durchzuführen:

A) Vorbohren (Abb. 21):

Bei Innenausschnitten ohne Zuführschnitt von einer Kante aus machen Sie eine Vorbohrung von ca. 12 mm Durchmesser. Das Sägeblatt in diese Öffnung einführen und mit dem Sägen beginnen.

B) Tauchschnitte (Abb. 22):

Um Schnitte ohne Vorbohren oder Zuführschnitt auszuführen, gehen Sie wie folgt vor:

1. Die Stichsäge auf der Vorderkante der Grundplatte kippen, so dass die Sägeblattspitze dicht über der Oberfläche des Werkstücks liegt.
2. Druck auf die Stichsäge ausüben, damit die Vorderkante der Grundplatte nicht verrutscht, wenn die Stichsäge eingeschaltet und das hintere Ende langsam abgesenkt wird.
3. Sobald das Sägeblatt in das Werkstück eindringt, die Grundplatte langsam auf die Oberfläche des Werkstücks absenken.
4. Den Schnitt in gewohnter Weise beenden.

Bearbeitung von Kanten (Abb. 23)

Um Kanten nachzuarbeiten oder Maßkorrekturen vorzunehmen, das Sägeblatt leicht an den Schnittkanten entlangführen.

Schneiden von Metall

Beim Schneiden von Metall stets ein geeignetes Kühlmittel (Schneidöl) verwenden. Nichtbeachtung verursacht erheblichen Verschleiß des Sägeblatts. Anstelle von Kühlmittel kann auch die Unterseite des Werkstücks eingefettet werden.

Parallelanschlagsatz (Sonderzubehör)

⚠ VORSICHT:

- Vergewissern Sie sich vor dem Anbringen oder Abnehmen von Zubehör stets, dass das Werkzeug ausgeschaltet und der Akku abgenommen ist.

1. Gerade Schnitte (Abb. 24 und 25)

Bei wiederholtem Schneiden von Breiten kleiner als 160 mm gewährleistet der Parallelanschlag schnelle, saubere und gerade Schnitte. Führen Sie den Parallelanschlag in die rechteckige Öffnung an der Seite der Grundplatte ein, so dass die Anschlagführung nach unten gerichtet ist. Schieben Sie den Parallelanschlag zur Position der gewünschten Schnittbreite, und ziehen Sie dann die Schraube zur Befestigung an.

2. Kreisschnitte (Abb. 26 und 27)

Um Kreis- oder Bogenschnitte von weniger als 170 mm Radius durchzuführen, montieren Sie den Parallelanschlag wie folgt.

- Führen Sie den Parallelanschlag in die rechteckige Öffnung an der Seite der Grundplatte ein, so dass die Anschlagführung nach oben gerichtet ist. Setzen Sie den Dorn des Kreisschneiders in eine der beiden Bohrungen in der Anschlagführung ein, und sichern Sie ihn mit dem Gewindeknopf.

- Schieben Sie nun den Parallelanschlag zu dem gewünschten Schnittradius, und ziehen Sie die Schraube zur Befestigung an. Schieben Sie dann die Grundplatte der Maschine ganz nach vorn.

HINWEIS:

- Verwenden Sie stets die Sägeblätter Nr. B-17, B-18, B-26 oder B-27 für kreis- oder bogenförmige Schnitte.

Führungsanschlagsatz (Zubehör) (Abb. 28)

Bei der Ausführung von Parallelschnitten von gleichmäßiger Breite oder von Geradschnitten gewährleisten die Führungsschiene und der Führungsanschlag die Erzeugung von schnellen und sauberen Schnitten.

Zum Installieren des Führungsanschlags führen Sie die Führungsstange bis zum Anschlag in das Vierkantloch der Grundplatte ein. Ziehen Sie die Schraube mit dem Inbusschlüssel fest an. (Abb. 29)

Befestigen Sie den Führungsanschlag an der Führungsschiene. Führen Sie die Führungsstange in das Vierkantloch des Führungsanschlags ein. Bringen Sie die Grundplatte an der Seite der Führungsschiene an, und ziehen Sie die Schraube fest an. (Abb. 30)

⚠ VORSICHT:

- Benutzen Sie bei Verwendung der Führungsschiene und des Führungsanschlags stets die Sägeblätter Nr. B-8, B-13, B-16, B-17 oder 58.

WARTUNG

⚠ VORSICHT:

- Vergewissern Sie sich vor der Durchführung von Inspektions- oder Wartungsarbeiten stets, dass die Maschine ausgeschaltet und der Akku abgenommen ist.
- Verwenden Sie auf keinen Fall Benzin, Benzol, Verdüner, Alkohol oder dergleichen. Solche Mittel können Verfärbung, Verformung oder Rissbildung verursachen.

Auswechseln der Kohlebürsten (Abb. 31 und 32)

Die Kohlebürsten müssen regelmäßig entfernt und überprüft werden. Wenn sie bis zur Verschleißgrenze abgenutzt sind, müssen sie erneuert werden. Halten Sie die Kohlebürsten stets sauber, damit sie ungehindert in den Haltern gleiten können. Beide Kohlebürsten sollten gleichzeitig erneuert werden. Verwenden Sie nur identische Kohlebürsten.

Drehen Sie die Bürstenhalterkappen mit einem Schraubendreher heraus. Nehmen Sie die abgenutzten Kohlebürsten heraus, setzen Sie die neuen ein, und drehen Sie dann die Bürstenhalterkappen wieder ein.

Um die SICHERHEIT und ZUVERLÄSSIGKEIT dieses Produkts zu gewährleisten, sollten Reparaturen und andere Wartungs- oder Einstellarbeiten nur von Makita-Kundendienstzentren unter ausschließlicher Verwendung von Makita-Originalersatzteilen ausgeführt werden.

SONDERZUBEHÖR

⚠ VORSICHT:

- Die folgenden Zubehörteile oder Vorrichtungen werden für den Einsatz mit der in dieser Anleitung beschriebenen Makita-Maschine empfohlen. Die Verwendung anderer Zubehörteile oder Vorrichtungen kann eine Verletzungsgefahr darstellen. Verwenden Sie Zubehörteile oder Vorrichtungen nur für ihren vorgesehenen Zweck.

Wenn Sie weitere Einzelheiten bezüglich dieser Zubehörteile benötigen, wenden Sie sich bitte an Ihre Makita-Kundendienststelle.

- Sägeblätter
- Innensechskantschlüssel 4
- Parallelanschlagsatz (Führungslinialsatz)
- Führungsanschlagsatz
- Führungsschiensatz
- Spanreißschutz
- Gleitplatte
- Absaugstutzen
- Original-Makita-Akku und -Ladegerät

HINWEIS:

- Manche Teile in der Liste können als Standardzubehör im Werkzeugsatz enthalten sein. Sie können von Land zu Land unterschiedlich sein.

ENG905-1

Geräusch

Typischer A-bewerteter Geräuschpegel ermittelt gemäß EN62841-2-11:

Schalldruckpegel (L_{pA}): 84 dB (A)

Schalleistungspegel (L_{WA}): 95 dB (A)

Ungewissheit (K): 3 dB (A)

ENG907-1

HINWEIS:

- Der (Die) angegebene(n) Schallemissionswert(e) wurde(n) im Einklang mit der Standardprüfmethode gemessen und kann (können) für den Vergleich zwischen Werkzeugen herangezogen werden.
- Der (Die) angegebene(n) Schallemissionswert(e) kann (können) auch für eine Vorbewertung des Gefährdungsgrads verwendet werden.

⚠ WARNUNG:

- **Einen Gehörschutz tragen.**
- **Die Schallemission während der tatsächlichen Benutzung des Elektrowerkzeugs kann je nach der Benutzungsweise des Werkzeugs, und speziell je nach der Art des bearbeiteten Werkstücks, von dem (den) angegebenen Wert(en) abweichen.**
- **Identifizieren Sie Sicherheitsmaßnahmen zum Schutz des Benutzers anhand einer Schätzung des Gefährdungsgrads unter den tatsächlichen Benutzungsbedingungen (unter Berücksichtigung aller Phasen des Arbeitszyklus, wie z. B. Ausschalt- und Leerlaufzeiten des Werkzeugs zusätzlich zur Betriebszeit).**

ENG900-1

Vibration

Vibrationsgesamtwert (Drei-Achsen-Vektorsumme) ermittelt gemäß EN62841-2-11:

Arbeitsmodus: Schneiden von Brettern

Vibrationsemission ($a_{h, B}$): 7,0 m/s²

Ungewissheit (K): 1,5 m/s²

Arbeitsmodus: Schneiden von Blechen

Vibrationsemission ($a_{h, M}$): 3,5 m/s²

Ungewissheit (K): 1,5 m/s²

ENG901-2

HINWEIS:

- Der (Die) angegebene(n) Vibrationsgesamtwert(e) wurde(n) im Einklang mit der Standardprüfmethode gemessen und kann (können) für den Vergleich zwischen Werkzeugen herangezogen werden.

- Der (Die) angegebene(n) Vibrationsgesamtwert(e) kann (können) auch für eine Vorbewertung des Gefährdungsgrads verwendet werden.

⚠️ WARNUNG:

- **Die Vibrationsemission während der tatsächlichen Benutzung des Elektrowerkzeugs kann je nach der Benutzungsweise des Werkzeugs, und speziell je nach der Art des bearbeiteten Werkstücks, von dem (den) angegebenen Emissionswert(en) abweichen.**
- **Identifizieren Sie Sicherheitsmaßnahmen zum Schutz des Benutzers anhand einer Schätzung des Gefährdungsgrads unter den tatsächlichen Benutzungsbedingungen (unter Berücksichtigung aller Phasen des Arbeitszyklus, wie z. B. Ausschalt- und Leerlaufzeiten des Werkzeugs zusätzlich zur Betriebszeit).**

EG-KONFORMITÄTSERKLÄRUNG

Nur für europäische Länder

Die EG-Konformitätserklärung ist als Anhang A in dieser Bedienungsanleitung enthalten.

Visione generale

1 Indicatore rosso	14 Base	27 Guida pezzo
2 Bottone	15 Chiave esagonale	28 Guida riparo
3 Batteria	16 Piastra di protezione	29 Pomello filettato
4 Marchio di stella	17 Dispositivo antischeggiamento	30 Perno guida circolare
5 Spie	18 Bocchettone aspirapolvere	31 Righello
6 Bottone di controllo	19 Manicotto per aspirapolvere	32 Adattatore rotaia guida
7 Leva di cambio modo di taglio	20 Linea di taglio	33 Rotaia guida
8 Bottone di sblocco	21 Bullone	34 Vite
9 Grilletto interruttore	22 Scanalatura di inclinazione	35 Segno di limite
10 Dispositivo di apertura utensile	23 Graduazioni	36 Tappo portaspazzola
11 Portalama	24 Tacca a V	37 Cacciavite
12 Lama seghetto alternativo	25 Alloggiamento ingranaggi	
13 Sporgenze	26 Foro iniziale	

DATI TECNICI

Modello		DJV180
Lunghezza corsa		26 mm
Capacità massima di taglio	Legno	135 mm
	Acciaio dolce	10 mm
	Alluminio	20 mm
Corse al minuto (min ⁻¹)		0 – 2.600
Lunghezza totale		257 mm
Peso netto		2,7 – 3,0 kg
Tensione nominale		C.C. 18 V

- Per il nostro programma di ricerca e sviluppo continui, i dati tecnici sono soggetti a modifiche senza preavviso.
- I dati tecnici potrebbero differire a seconda del paese di destinazione del modello.
- Il peso può variare a seconda dell'accessorio o degli accessori, inclusa la cartuccia della batteria. La combinazione più leggera e quella più pesante, in base alla Procedura EPTA 01/2014, sono indicate nella tabella.

Cartuccia batteria e caricatore applicabili

Cartuccia batteria	BL1815N / BL1820 / BL1820B / BL1830 / BL1830B / BL1840 / BL1840B / BL1850 / BL1850B / BL1860B
Caricatore	DC18RC / DC18RD / DC18RE / DC18SD / DC18SE / DC18SF

- Alcune delle cartucce batterie e dei caricatori elencati sopra potrebbero non essere disponibili, a seconda della propria area geografica di residenza.

⚠ AVVERTIMENTO: utilizzare solo le cartucce batterie e i caricatori elencati sopra. L'utilizzo di cartucce batterie e caricatori diversi potrebbe causare lesioni personali e/o incendi.

ENE019-1

GEA010-2

Utilizzo previsto

L'utensile va usato per il taglio di legno, plastica e materiali metallici. Grazie alla vasta gamma di accessori e lame, l'utensile può essere usato in svariate applicazioni ed è particolarmente adatto per praticare tagli curvi o circolari.

Avvertenze generali relative alla sicurezza dell'utensile elettrico

⚠ AVVERTIMENTO Leggere tutte le avvertenze di sicurezza, le istruzioni, le illustrazioni e i dati tecnici forniti con il presente utensile elettrico. La mancata osservanza di tutte le istruzioni elencate di seguito potrebbe risultare in scosse elettriche, incendi e/o gravi lesioni personali.

Conservare tutte le avvertenze e le istruzioni come riferimento futuro.

Il termine "utensile elettrico" nelle avvertenze si riferisce sia all'utensile elettrico (cablato) nel funzionamento alimentato da rete elettrica che all'utensile elettrico (a batteria) nel funzionamento alimentato a batteria.

AVVERTENZE RELATIVE ALLA SICUREZZA DEL SEGNETTO ALTERNATIVO A BATTERIA

1. Tenere l'utensile elettrico per le superfici di impugnatura isolate, quando si esegue un'operazione in cui l'accessorio da taglio potrebbe entrare in contatto con fili elettrici nascosti. Un accessorio da taglio che entri in contatto con un filo elettrico sotto tensione potrebbe mettere sotto tensione le parti metalliche esposte dell'utensile elettrico e causare una scossa elettrica all'operatore.
2. Utilizzare una morsa o un altro sistema pratico per fissare e supportare il pezzo in lavorazione su un piano stabile. Il pezzo mantenuto con la mano o contro il corpo resta instabile, e potrebbe causare una perdita di controllo.
3. Utilizzare sempre occhiali oppure occhialoni di protezione. I comuni occhiali da vista o da sole NON sono occhiali di protezione.
4. Evitare di tagliare chiodi. Ispezionare il pezzo in lavorazione e, in presenza di eventuali chiodi, rimuoverli prima di procedere.
5. Non tagliare pezzi eccessivamente grandi.
6. Verificare che sia presente uno spazio sufficiente al di là del pezzo in lavorazione, prima di tagliarlo, in modo che la lama non colpisca il pavimento, il banco da lavoro, e così via.
7. Mantenere saldamente l'utensile.
8. Accertarsi che la lama non sia in contatto con il pezzo in lavorazione, prima di attivare l'interruttore.
9. Tenere le mani lontane dalle parti mobili.
10. Non lasciare l'utensile mentre è in funzione. Far funzionare l'utensile solo mentre viene tenuto in mano.
11. Spegnerne sempre l'utensile e attendere che la lama si sia arrestata completamente, prima di rimuoverla dal pezzo in lavorazione.
12. Non toccare la lama o il pezzo in lavorazione subito dopo l'operazione; la loro temperatura potrebbe essere estremamente elevata e potrebbero causare ustioni.
13. Non far funzionare inutilmente l'utensile a vuoto.
14. Alcuni materiali contengono sostanze chimiche che potrebbero essere tossiche. Fare attenzione a evitare l'inalazione delle polveri e il loro contatto con la pelle. Attenersi ai dati sulla sicurezza del fornitore dei materiali.
15. Usare sempre la mascherina antipolvere o il respiratore adatti al materiale e all'applicazione con cui si intende lavorare.

CONSERVARE LE PRESENTI ISTRUZIONI.

AVVERTIMENTO:

NON lasciare che comodità o la familiarità d'utilizzo con il prodotto (acquisita con l'uso ripetuto) sostituisca la stretta osservanza delle norme di sicurezza per il prodotto in questione. L'USO IMPROPRIO o la mancata osservanza delle norme di sicurezza indicate nel presente manuale di istruzioni potrebbero causare gravi lesioni personali.

ISTRUZIONI DI SICUREZZA IMPORTANTI PER LA CARTUCCIA DELLA BATTERIA

1. Prima di utilizzare la cartuccia della batteria, leggere tutte le istruzioni e le avvertenze riportate (1) sul caricabatteria, (2) sulla batteria e (3) sul prodotto che utilizza la batteria.
2. Non smontare la cartuccia della batteria.
3. Qualora il tempo di utilizzo si riduca eccessivamente, interrompere immediatamente l'utilizzo dell'utensile. In caso contrario, si può incorrere nel rischio di surriscaldamento, possibili ustioni e persino un'esplosione.
4. Qualora l'elettrolita entri in contatto con gli occhi, sciacquarli con acqua pulita e richiedere immediatamente assistenza medica. Questa eventualità può risultare nella perdita della vista.
5. Non cortocircuitare la cartuccia della batteria:
 - (1) Non toccare i terminali con alcun materiale conduttivo.
 - (2) Evitare di conservare la cartuccia della batteria in un contenitore insieme ad altri oggetti metallici quali chiodi, monete, e così via.
 - (3) Non esporre la cartuccia della batteria all'acqua o alla pioggia.

Un cortocircuito della batteria può causare un grande flusso di corrente, un surriscaldamento, possibili ustioni e persino un guasto.

6. Non conservare l'utensile e la cartuccia della batteria in ubicazioni in cui la temperatura possa raggiungere o superare i 50°C.
7. Non incenerire la cartuccia della batteria anche qualora sia gravemente danneggiata o completamente esaurita. La cartuccia della batteria può esplodere se a contatto con il fuoco.
8. Fare attenzione a non far cadere e a non colpire la batteria.
9. Non utilizzare una batteria danneggiata.
10. Le batterie a ioni di litio contenute sono soggette ai requisiti del regolamento sul trasporto di merci pericolose (Dangerous Goods Legislation).

Per trasporti commerciali, ad esempio da parte di terzi o spedizionieri, è necessario osservare dei requisiti speciali sull'imballaggio e sull'etichetta.

Per la preparazione dell'articolo da spedire, è richiesta la consulenza di un esperto in materiali pericolosi. Attenersi anche alle normative nazionali, che potrebbero essere più dettagliate.

Nastrare o coprire i contatti aperti e imballare la batteria in modo tale che non si possa muovere liberamente all'interno dell'imballaggio.

11. Attenersi alle normative locali relative allo smaltimento della batteria.
12. Utilizzare le batterie esclusivamente con i prodotti specificati da Makita. L'installazione delle batterie in prodotti non compatibili potrebbe risultare in incendi, calore eccessivo, esplosioni o perdite di liquido elettrolitico.

CONSERVARE LE PRESENTI ISTRUZIONI.

ATTENZIONE:

Utilizzare solo batterie originali Makita. L'utilizzo di batterie Makita non originali, o di batterie che siano state alterate, potrebbe risultare nello scoppio della batteria, causando incendi, lesioni personali e danni. Inoltre, ciò potrebbe invalidare la garanzia Makita per l'utensile e il caricabatterie Makita.

Suggerimenti per preservare la durata massima della batteria

1. **Caricare la cartuccia della batteria prima che si scarichi completamente. Smettere sempre di utilizzare l'utensile e caricare la cartuccia della batteria quando si nota che la potenza dell'utensile è diminuita.**
2. **Non ricaricare mai una cartuccia della batteria completamente carica. La sovraccarica riduce la vita utile della batteria.**
3. **Caricare la cartuccia della batteria a una temperatura ambiente compresa tra 10°C e 40°C. Lasciar raffreddare una cartuccia della batteria prima di caricarla.**
4. **Caricare la cartuccia della batteria se non la si è utilizzata per un periodo di tempo prolungato (più di sei mesi).**

DESCRIZIONE FUNZIONALE

ATTENZIONE:

- Accertarsi sempre che l'utensile sia spento e che la batteria sia stata rimossa prima di regolare o di controllare il funzionamento dell'utensile.

Installazione o rimozione della batteria (Fig. 1)

ATTENZIONE:

- Spegnerne sempre l'utensile prima di installare o di rimuovere la batteria.
- **Tenere saldamente l'utensile e la batteria quando si installa o si rimuove la batteria.** Se non si tengono saldamente l'utensile e la cartuccia batteria, potrebbero sfuggire di mano danneggiandosi e causare un incidente.

Per rimuovere la batteria, toglierla dall'utensile spingendo allo stesso tempo il bottone sulla parte anteriore della batteria.

Per installare la batteria, allineare l'appendice della batteria sulla scanalatura dell'alloggiamento e spingerla in posizione. Inserirli completamente finché si blocca in posizione con uno piccolo scatto. Se si vede l'indicatore rosso sul lato superiore del bottone, vuol dire che la batteria non è bloccata completamente.

ATTENZIONE:

- Installare sempre completamente la batteria finché l'indicatore rosso non è più visibile. In caso contrario, potrebbe cadere accidentalmente fuori dall'utensile causando un incidente all'operatore o a chi gli è vicino.
- Non installare forzatamente la batteria. Se la batteria non scivola dentro facilmente, vuol dire che non viene inserita correttamente.

Sistema di protezione della batteria (batteria agli ioni di litio con marchio di stella) (Fig. 2)

Le batterie agli ioni di litio con marchio di stella sono dotate di un sistema di protezione. Questo sistema interrompe automaticamente la corrente all'utensile per estendere la vita di servizio della batteria.



















L'utensile si arresta automaticamente mentre sta funzionando se esso e/o la batteria vengono a trovarsi in una delle condizioni seguenti:

- **Sovraccarico:**
L'utensile viene usato in un modo che causa un suo assorbimento anormalmente alto di corrente.
In tal caso, rilasciare il grilletto dell'interruttore dell'utensile e fermare l'accessorio applicativo che ha causato il sovraccarico dell'utensile. Schiacciare poi di nuovo il grilletto dell'interruttore per riavviare l'utensile. Se l'utensile non si riavvia, vuol dire che è sovraccarica la batteria. In tal caso, lasciare raffreddare la batteria prima di schiacciare di nuovo il grilletto dell'interruttore.
- **Bassa tensione della batteria:**
La capacità restante della batteria è troppo bassa e l'utensile non funziona. In tal caso, rimuovere e ricaricare la batteria.

Indicazione della capacità restante della batteria (Fig. 3)

Solo per cartucce delle batterie dotate di indicatore

Premere il bottone di controllo sulla cartuccia batteria per visualizzare la capacità restante della batteria. Le spie si accendono per pochi secondi.

Spie			Capacità restante
 Accesa	 Spenta	 Lampeggiante	
			dal 75% al 100%
			dal 50% al 75%
			dal 25% al 50%
			dal 0% al 25%
			Caricare la batteria.
 	 	 	Si potrebbe essere verificato un malfunzionamento della batteria.

015658

NOTA:

- A seconda delle condizioni d'utilizzo e della temperatura ambiente, l'indicazione potrebbe differire leggermente dalla capacità reale.

Selezione del modo di taglio (Fig. 4)

Questo utensile può essere fatto funzionare nel modo di taglio orbitale o in linea retta (su e giù). Il modo di taglio orbitale spinge la lama in avanti nella corsa di taglio e aumenta grandemente la velocità di taglio.

Per cambiare il modo di taglio, girare semplicemente la leva di cambio modo di taglio sulla posizione di taglio desiderata. Per selezionare il modo di taglio, riferirsi alla tabella sotto.

Posizione	Modo di taglio	Applicazioni
0	Linea retta	Per tagliare l'acciaio dolce, l'acciaio inossidabile e la plastica. Per il taglio pulito del legno e del compensato.
I	Orbita piccola	Per tagliare l'acciaio dolce, l'alluminio e il legno duro.
II	Orbita media	Per tagliare il legno e il compensato. Per tagliare velocemente l'alluminio e l'acciaio dolce.
III	Orbita grande	Per tagliare velocemente il legno e il compensato.

006376

Funzionamento dell'interruttore (Fig. 5 e 6)

⚠ATTENZIONE:

- Prima di inserire la cartuccia batteria nell'utensile, accertarsi sempre che l'interruttore funzioni correttamente e ritorni sulla posizione "OFF" quando viene rilasciato.
- Quando non si usa l'utensile, premere il bottone di sblocco dal lato A per bloccare il grilletto interruttore in posizione OFF.

L'utensile è dotato di un bottone di sblocco per evitare di schiacciare accidentalmente il grilletto interruttore.

Per avviare l'utensile, premere il bottone di sblocco dal lato B e schiacciare il grilletto interruttore.

La velocità dell'utensile aumenta quando si aumenta la pressione sul grilletto interruttore. Rilasciare il grilletto interruttore per fermarlo. Dopo l'uso, premere sempre dentro il bottone di sblocco dal lato A.

Accensione delle lampadine

⚠ATTENZIONE:

- Non guardare la luce o guardare direttamente la fonte di luce.

Per accendere la lampadina, schiacciare il grilletto. Rilasciare il grilletto per spegnerla.

NOTA:

- Usare un panno asciutto per togliere lo sporco dalla lente della lampadina. Fare attenzione a non graffiare la lente della lampadina, perché ciò potrebbe ridurre l'illuminazione.

MONTAGGIO

⚠ATTENZIONE:

- Accertarsi sempre che l'utensile sia spento e che la batteria sia stata rimossa prima di qualsiasi intervento sull'utensile.

Installazione e rimozione della lama

⚠ATTENZIONE:

- Togliere sempre i trucioli e le sostanze estranee attaccate alla lama e/o portalama. Questa inosservanza potrebbe causare un serraggio insufficiente della lama con pericolo di ferite gravi.
- Non toccare la lama o il pezzo tagliato subito dopo l'uso dell'utensile, in quanto potrebbero essere estremamente caldi e provocare ustioni.
- Serrare saldamente la lama. Non facendolo si corre il rischio di gravi lesioni personali.

- Nel rimuovere la lama, fare attenzione a non ferirsi le dita con l'estremità della lama stessa o con le punte del pezzo tagliato.

Per installare la lama, aprire il dispositivo di apertura dell'utensile sulla posizione mostrata nella illustrazione. (Fig. 7)

Mantenendo tale posizione, inserire la lama nel portalama, introducendolo fino al punto in cui le due sporgenze della lama non siano più visibili. (Fig. 8)

Riportare il dispositivo di apertura dell'utensile nella posizione iniziale.

Dopo aver installato la lama, accertare sempre che sia saldamente fissata in posizione cercando di tirarla fuori.

⚠ATTENZIONE:

- Non aprire eccessivamente il dispositivo di apertura dell'utensile, in quanto ciò potrebbe danneggiare l'utensile stesso.

Per rimuovere la lama, aprire il dispositivo di apertura dell'utensile sulla posizione mostrata nella illustrazione. (Fig. 9) Estrarre la lama tirandola verso la base dell'utensile.

NOTA:

- Di tanto in tanto lubrificare il rullino.

Conservazione della chiave esagonale (Fig. 10)

Quando non viene usata, riporre la chiave esagonale come mostrato nella illustrazione per evitare di perderla.

Piastra di protezione (Fig. 11)

Utilizzare la piastra di protezione per tagliare impiallaccature decorative o materiali in plastica, ecc. In questo modo si proteggono dal danneggiamento le superfici più sensibili o delicate. Fissare la piastra di protezione sul retro della base dell'utensile.

Dispositivo antisceggiamento (Fig. 12)

Per ottenere dei tagli privi di schegge, è possibile usare il dispositivo antisceggiamento. Per installare il dispositivo antisceggiamento, spostare del tutto in avanti la base dell'utensile ed installare il dispositivo dal retro della base dell'utensile. Quando si utilizza anche la piastra di protezione, installare il dispositivo antisceggiamento sulla piastra di protezione.

⚠ATTENZIONE:

- Il dispositivo antisceggiamento non può essere usato quando si fanno tagli inclinati.

Rimozione della polvere

Per eseguire lavorazioni di taglio pulite è consigliabile l'utilizzo del bocchettone aspirapolvere (accessorio opzionale). (Fig. 13)

Per fissare il bocchettone aspirapolvere all'utensile, inserire il gancio del bocchettone aspirapolvere nell'apposito foro presente sulla base dell'utensile.

Il bocchettone aspirapolvere può essere installato sul lato destro o sinistro della base. (Fig. 14)

Collegare quindi un aspirapolvere Makita al bocchettone aspirapolvere. (Fig. 15)

FUNZIONAMENTO

⚠ATTENZIONE:

- Tenere sempre la base dell'utensile a livello con il pezzo da lavorare. Questa inosservanza potrebbe causare la rottura della lama con pericolo di ferite gravi. (Fig. 16)

Accendere l'utensile senza che la lama faccia contatto, e aspettare che essa raggiunga la velocità massima. Posare poi la base piana sul pezzo da lavorare e spingerla delicatamente in avanti seguendo la linea di taglio fatta precedentemente.

NOTA:

- Se si fa funzionare continuamente l'utensile finché la batteria si scarica, lasciare riposare l'utensile per 15 minuti prima di continuare con una nuova batteria.

Per tagliare delle curve, spingere l'utensile molto lentamente.

Tagli inclinati (Fig. 17)

⚠ATTENZIONE:

- Accertarsi sempre che l'utensile sia spento e che la batteria sia stata rimossa prima di inclinare la base.

Con la base dell'utensile inclinata, è possibile praticare tagli inclinati a qualsiasi angolazione tra 0° e 45° (a sinistra o a destra).

Allentare il bullone sul retro della base servendosi della chiave esagonale. Spostare la base in modo che il bullone sia posizionato al centro della scanalatura di inclinazione nella base. (Fig. 18)

Inclinare la base fino ad ottenere l'angolo di inclinazione desiderato. La tacca a V dell'alloggiamento ingranaggi indica l'angolo di inclinazione per gradi. Serrare quindi saldamente il bullone per fissare la base. (Fig. 19)

Tagli frontali della stessa altezza

Allentare con la chiave esagonale il bullone sulla parte posteriore della base, e spingere completamente indietro la base. Stringere poi il bullone per fissare la base dell'utensile. (Fig. 20)

Sfinestrate

Le sfinestrate possono essere fatte con i due metodi A e B.

A) Trapanazione di un foro iniziale (Fig. 21):

Per le sfinestrate interne senza un taglio di ingresso dal bordo, trapanare un foro iniziale di 12 mm o più di diametro. Per cominciare a tagliare, inserire la lama in questo foro.

B) Taglio a tuffo (Fig. 22):

Se si procede con cura come segue, non è necessario trapanare un foro iniziale o fare un taglio di ingresso.

1. Inclinare in su l'utensile sul bordo anteriore della base, con la punta della lama posizionata subito sopra la superficie del pezzo da lavorare.
2. Esercitare una pressione sull'utensile in modo che il bordo anteriore della base non si muova quando lo si accende e si abbassa poi delicatamente e lentamente l'estremità posteriore della base.
3. Mentre la lama fora il pezzo da lavorare, abbassare lentamente la base dell'utensile sulla superficie del pezzo da lavorare.
4. Completare il taglio nel modo normale.

Bordi di finitura (Fig. 23)

Per rifinire i bordi o fare regolazioni dimensionali, passare leggermente la lama lungo i bordi di taglio.

Taglio dei metalli

Per tagliare i metalli, usare sempre un refrigerante (olio da taglio) adatto. Questa inosservanza può causare un veloce consumo della lama. Invece di usare un refrigerante, si può spalmare di grasso la parte inferiore del pezzo da lavorare.

Gruppo guida pezzo (accessorio opzionale)

⚠ATTENZIONE:

- Accertarsi sempre che l'utensile sia spento e che la batteria sia stata rimossa prima di installare o di rimuovere gli accessori.

1. Tagli diritti (Fig. 24 e 25)

Se si devono fare ripetutamente dei tagli di 160 mm o meno di larghezza, l'uso della guida pezzo assicura dei tagli diritti veloci e puliti. Per installarla, inserire la guida pezzo nel foro rettangolare sul fianco della base dell'utensile, con la guida riparo rivolta in giù. Spingere la guida pezzo sulla posizione della larghezza di taglio desiderata, e stringere poi il bullone per fissarla.

2. Tagli circolari (Fig. 26 e 27)

Per tagliare cerchi o archi con un raggio di 170 mm o meno, installare la guida pezzo come segue.

- Inserire la guida pezzo nel foro rettangolare sul fianco della base dell'utensile, con la guida riparo rivolta in su. Inserire il perno della guida circolare in uno dei due fori della guida riparo. Avvitare il pomello filettato nel perno per fissarlo.
- Spingere ora la guida pezzo sul raggio di taglio desiderato, e stringere il bullone per fissarla in posizione. Spostare poi completamente in avanti la base dell'utensile.

NOTA:

- Per tagliare i cerchi e gli archi, usare sempre le lame No. B-17, B-18, B-26 o B-27.

Gruppo adattatore rotaia guida (accessorio) (Fig. 28)

Quando si fanno dei tagli paralleli e uniformi o diritti, l'impiego della rotaia guida e dell'adattatore rotaia guida assicura dei tagli veloci e puliti.

Per installare l'adattatore rotaia guida, inserire il righello nel foro quadrato della base finché non può più andare oltre. Fissare saldamente il bullone con la chiave esagonale. (Fig. 29)

Installare l'adattatore rotaia guida sulla rotaia della rotaia guida. Inserire il righello nel foro quadrato dell'adattatore rotaia guida. Mettere la base sul fianco della rotaia guida e stringere saldamente il bullone. (Fig. 30)

⚠ ATTENZIONE:

- Usando il rotaia guida e l'adattatore rotaia guida, usare sempre le lame No. B-8, B-13, B-16, B-17 o 58.

MANUTENZIONE**⚠ ATTENZIONE:**

- Accertarsi sempre che l'utensile sia spento e che la batteria sia stata rimossa prima dell'intervento di ispezione o manutenzione.
- Mai usare benzina, benzene, solventi, alcol e altre sostanze simili. Potrebbero causare scolorimenti, deformazioni o crepe.

Sostituzione delle spazzole di carbone**(Fig. 31 e 32)**

Rimuovere e controllare regolarmente le spazzole di carbone. Sostituirle quando sono usurate fino al segno del limite. Mantenere le spazzole di carbone pulite e libere di slittare nei portaspazzole. Entrambe le spazzole di carbone devono essere sostituite allo stesso tempo. Usare soltanto spazzole di carbone identiche.

Usare un cacciavite per rimuovere i tappi dei portaspazzole. Estrarre le spazzole di carbone usurate, inserire le nuove spazzole e fissare i tappi dei portaspazzole.

Per preservare la SICUREZZA e l'AFFIDABILITÀ del prodotto, le riparazioni, la manutenzione o la regolazione devono essere eseguite da un Centro Assistenza Makita autorizzato usando sempre ricambi Makita.

ACCESSORI OPZIONALI**⚠ ATTENZIONE:**

- Questi accessori o attrezzi sono consigliati per l'uso con l'utensile Makita specificato in questo manuale. L'impiego di altri accessori o attrezzi può costituire un rischio di lesioni alle persone. Usare gli accessori soltanto per il loro scopo prefissato.

Per ottenere maggiori dettagli su questi accessori, rivolgersi a un Centro Assistenza Makita autorizzato.

- Lama seghetto alternativo
- Chiave esagonale 4
- Gruppo guida pezzo (Gruppo righello guida)
- Gruppo adattatore rotaia guida
- Gruppo rotaia guida
- Dispositivo antisceglimento
- Piastra di protezione
- Bocchettone aspirapolvere
- Batteria e caricatore genuini Makita

NOTA:

- Alcuni articoli nella lista potrebbero essere inclusi nell'imballaggio dell'utensile come accessori standard. Essi potrebbero differire da Paese a Paese.

ENG905-1

Rumore

Il tipico livello di rumore pesato A determinato secondo EN62841-2-11:

- Livello pressione sonora (L_{pA}): 84 dB (A)
- Livello potenza sonora (L_{WA}): 95 dB (A)
- Incertezza (K): 3 dB (A)

NOTA:

- Il valore o i valori dichiarati delle emissioni di rumori sono stati misurati in conformità a un metodo standard di verifica, e possono essere utilizzati per confrontare un utensile con un altro.
- Il valore o i valori dichiarati delle emissioni di rumori possono venire utilizzati anche per una valutazione preliminare dell'esposizione.

⚠ AVVERTIMENTO:

- **Indossare protezioni per le orecchie.**
- **L'emissione di rumori durante l'utilizzo effettivo dell'utensile elettrico può variare rispetto al valore o ai valori dichiarati, a seconda dei modi in cui viene utilizzato l'utensile e specialmente a seconda di che tipo di pezzo venga lavorato.**
- **Accertarsi di identificare misure di sicurezza per la protezione dell'operatore che siano basate su una stima dell'esposizione nelle condizioni effettive di utilizzo (tenendo conto di tutte le parti del ciclo operativo, ad esempio del numero di spegnimenti dell'utensile e di quando giri a vuoto, oltre al tempo di attivazione).**

ENG900-1

Vibrazione

Il valore totale di vibrazione (somma vettore triassiale) determinato secondo EN62841-2-11:

Modalità operativa: taglio tavole
Emissione di vibrazione ($a_{h,B}$): 7,0 m/s²
Incertezza (K): 1,5 m/s²

Modalità operativa: taglio delle lamiere di metallo
Emissione di vibrazione ($a_{h,M}$): 3,5 m/s²
Incertezza (K): 1,5 m/s²

ENG901-2

NOTA:

- Il valore o i valori complessivi delle vibrazioni dichiarati sono stati misurati in conformità a un metodo standard di verifica, e possono essere utilizzati per confrontare un utensile con un altro.
- Il valore o i valori complessivi delle vibrazioni dichiarati possono venire utilizzati anche per una valutazione preliminare dell'esposizione.

⚠ AVVERTIMENTO:

- **L'emissione delle vibrazioni durante l'utilizzo effettivo dell'utensile elettrico può variare rispetto al valore o ai valori dichiarati, a seconda dei modi in cui viene utilizzato l'utensile, specialmente a seconda di che tipo di pezzo venga lavorato.**
- **Accertarsi di identificare misure di sicurezza per la protezione dell'operatore che siano basate su una stima dell'esposizione nelle condizioni effettive di utilizzo (tenendo conto di tutte le parti del ciclo operativo, ad esempio del numero di spegnimenti dell'utensile e di quando giri a vuoto, oltre al tempo di attivazione).**

DICHIARAZIONE DI CONFORMITÀ CE**Solo per i paesi europei**

La dichiarazione di conformità CE è inclusa come Allegato A al presente manuale di istruzioni.

Verklaring van algemene gegevens

1 Rode indicator	14 Voet	27 Breedtegeleider
2 Knop	15 Inbussleutel	28 Geleider
3 Accu	16 Dekplaat	29 Schroefknop
4 Stermarkering	17 Antisplinterinrichting	30 Pin van cirkelgeleider
5 Spanningslampjes	18 Stofzuigmondstuk	31 Lineaalstaaf
6 Controletoets	19 Slang voor stofzuiger	32 Geleiderailadapter
7 Zaagactie-keuzehendel	20 Zaaglijn	33 Geleiderail
8 Uit-vergrendelknop	21 Bout	34 Bout
9 Trekkerschakelaar	22 Schuine sleuf	35 Limietmarkering
10 Gereedschapsoeper	23 Schaalverdelingen	36 Dop van koolborstelhouder
11 Zaagbladklem	24 V-inkeping	37 Schroevendraaier
12 Figuurzaagblad	25 Tandwielhuis	
13 Uitsteeksels	26 Startgaatje	

TECHNISCHE GEGEVENS

Model		DJV180
Slaglengte		26 mm
Max. snijcapaciteit	Hout	135 mm
	Zacht staal	10 mm
	Aluminium	20 mm
Aantal slagen per minuut (min ⁻¹)		0 – 2 600
Totale lengte		257 mm
Nettogewicht		2,7 – 3,0 kg
Nominale spanning		DC 18 V

- In verband met ononderbroken research en ontwikkeling behouden wij ons het recht voor bovenstaande technische gegevens te wijzigen zonder voorafgaande kennisgeving.
- De technische gegevens kunnen van land tot land verschillen.
- Het gewicht kan verschillen, afhankelijk van de hulpstukken, inclusief de accu. De lichtste en zwaarste combinatie, overeenkomstig de EPTA-procedure 01/2014, worden aangegeven in de tabel.

Toepasselijke accu en acculader

Accu	BL1815N / BL1820 / BL1820B / BL1830 / BL1830B / BL1840 / BL1840B / BL1850 / BL1850B / BL1860B
Acculader	DC18RC / DC18RD / DC18RE / DC18SD / DC18SE / DC18SF

- Sommige van de hierboven vermelde accu's en acculaders zijn mogelijk niet verkrijgbaar, afhankelijk van het gebied waarin u woont.

⚠ WAARSCHUWING: Gebruik uitsluitend de hierboven vermelde accu's en acculaders. Als u enige andere accu of acculader gebruikt, kan dat leiden tot letsel en/of brand.

ENE019-1

GEA010-2

Doeleinden van gebruik

Dit gereedschap is bedoeld voor het zagen van hout, kunststof en metalen materialen. Een uitgebreide keuze van accessoires en zaagbladen staat ter beschikking, zodat het gereedschap voor talrijke doeleinden kan worden gebruikt en optimaal geschikt is voor het zagen van bogen en cirkels.

Algemene veiligheids waarschuwingen voor elektrisch gereedschap

⚠ WAARSCHUWING! Lees alle veiligheids waarschuwingen, aanwijzingen, afbeeldingen en technische gegevens behorend bij dit elektrisch gereedschap aandachtig door. Als u niet alle onderstaande aanwijzingen naleeft, kan dat resulteren in brand, elektrische schokken en/of ernstig letsel.

Bewaar alle waarschuwingen en instructies om in de toekomst te kunnen raadplegen.

De term "elektrisch gereedschap" in de veiligheidsvoor- schriften duidt op gereedschappen die op stroom van het lichtnet werken (met snoer) of gereedschappen met een accu (snoerloos).

VEILIGHEIDSWAARSCHUWINGEN VOOR EEN ACCUDECOUPEERZAAG

- Houd het elektrisch gereedschap vast aan het geïsoleerde oppervlak van de handgrepen wanneer u werkt op plaatsen waar het accessoire met verborgen bedrading in aanraking kan komen. Wanneer het accessoire in aanraking komt met onder spanning staande draden, zullen de niet-geïsoleerde metalen delen van het gereedschap onder spanning komen te staan zodat de gebruiker een elektrische schok kan krijgen.
- Gebruik klemmen of andere bevestigingsmiddelen om het werkstuk op een stabiel platform te bevestigen en te ondersteunen. Het werkstuk is onstabiel en er is gevaar voor controleverlies wanneer u het werkstuk met de hand vasthoudt of het tegen uw lichaam houdt.
- Draag altijd een veiligheidsbril of een beschermbril. Een gewone bril of een zonnebril is GEEN veiligheidsbril.
- Vermijd het zagen op spijkers. Inspecteer het werkstuk op eventuele spijkers en verwijder ze voordat u begint.
- Zaag geen werkstukken die te groot zijn.
- Controleer vooraf of er voldoende ruimte voorbij het werkstuk is, zodat het zaagblad niet tegen de vloer, een werkbank e.d. zal stoten.
- Houd het gereedschap stevig vast.
- Zorg dat het zaagblad het werkstuk niet raakt voordat u de trekschakelaar indrukt.
- Houd uw handen uit de buurt van bewegende delen.
- Laat het gereedschap niet onnodig ingeschakeld. Bedien het gereedschap alleen terwijl u het vasthoudt.
- Schakel het gereedschap uit en wacht totdat het zaagblad volledig tot stilstand is gekomen alvorens het zaagblad van het werkstuk te verwijderen.
- Raak het zaagblad of het werkstuk niet aan onmiddellijk na het werk; deze kunnen gloeiend heet zijn en brandwonden veroorzaken.
- Laat het gereedschap niet onbelast draaien wanneer zulks niet nodig is.
- Sommige materialen bevatten chemische stoffen die giftig kunnen zijn. Wees voorzichtig dat u geen stof inademt en het stof niet op uw huid komt. Volg de veiligheidsinstructies van de leverancier van het materiaal op.
- Draag altijd het stofmasker/gasmasker dat geschikt is voor het materiaal en de toepassing waarmee u werkt.

BEWAAR DEZE INSTRUCTIES.

⚠ WAARSCHUWING:

Laat u NIET misleiden door een vals gevoel van comfort en bekendheid met het gereedschap (na veelvuldig gebruik) en neem alle veiligheidsvoorschriften van het betreffende gereedschap altijd strikt in acht. VERKEERD GEBRUIK of het niet naleven van de veiligheidsvoorschriften in deze gebruiksaanwijzing kan leiden tot ernstig persoonlijk letsel.

BELANGRIJKE VEILIGHEIDSinSTRUCTIES VOOR EEN ACCU

- Lees alle voorschriften en waarschuwingen op (1) de acculader, (2) de accu, en (3) het product waarvoor de accu wordt gebruikt, alvorens de accu in gebruik te nemen.
- Neem de accu niet uit elkaar.
- Als de gebruikstijd van een opgeladen accu aanzienlijk korter is geworden, moet u het gebruik ervan onmiddellijk stopzetten. Voortgezet gebruik kan oververhitting, brandwonden en zelfs een ontploffing veroorzaken.
- Als elektrolyt in uw ogen is terechtgekomen, spoelt u uw ogen met schoon water en roept u onmiddellijk de hulp van een dokter in. Elektrolyt in de ogen kan blindheid veroorzaken.
- Vorkom kortsluiting van de accu:
 - Raak de accuklemmen nooit aan met een geleidend materiaal.
 - Bewaar de accu niet in een bak waarin andere metalen voorwerpen zoals spijkers, munten e.d. worden bewaard.
 - Stel de accu niet bloot aan water of regen.

Kortsluiting van de accu kan oorzaak zijn van een grote stroomafgifte, oververhitting, brandwonden, en zelfs defecten.

- Bewaar het gereedschap en de accu niet op plaatsen waar de temperatuur kan oplopen tot 50°C of hoger.
- Werp de accu nooit in het vuur, ook niet wanneer hij zwaar beschadigd of volledig versleten is. De accu kan ontploffen in het vuur.
- Wees voorzichtig dat u de accu niet laat vallen en hem niet blootstelt aan schokken of stoten.
- Gebruik nooit een beschadigde accu.
- De bijgeleverde lithium-ionbatterijen zijn onderhevig aan de vereisten in de wetgeving omtrent gevaarlijke stoffen.

Voor commercieel transport en dergelijke door derden en transporteurs moeten speciale vereisten ten aanzien van verpakking en etikettering worden nageleefd.

Als voorbereiding van het artikel dat wordt getransporteerd is het noodzakelijk een expert op het gebied van gevaarlijke stoffen te raadplegen. Houd u tevens aan mogelijk strengere nationale regelgeving.

Blootliggende contactpunten moeten worden afgedekt met tape en de accu moet zodanig worden verpakt dat deze niet kan bewegen in de verpakking.

- Volg bij het weggooiën van de accu de plaatselijke voorschriften.
- Gebruik de accu's uitsluitend met de gereedschappen die door Makita zijn aanbevolen. Als de accu's worden aangebracht in niet-compatibele gereedschappen, kan dat leiden tot brand, buitensporige warmteontwikkeling, een explosie of lekkage van elektrolyt.

BEWAAR DEZE VOORSCHRIFTEN.

LET OP:

Gebruik uitsluitend originele Makita accu's. Het gebruik van niet-originele accu's, of accu's die zijn gewijzigd, kan ertoe leiden dat de accu ontploft en brand, persoonlijk letsel en schade veroorzaakt. Ook vervalt daarmee de garantie van Makita op het gereedschap en de lader van Makita.

Tips voor een maximale levensduur van de accu

1. Laad de accu op voordat hij volledig ontladen is. Stop het gebruik van het gereedschap en laad de accu op telkens wanneer u vaststelt dat het vermogen van het gereedschap is afgenomen.
2. Laad een volledig opgeladen accu nooit opnieuw op. Te lang opladen verkort de levensduur van de accu.
3. Laad de accu op bij een omgevingstemperatuur tussen 10°C en 40°C. Laat een warme accu afkoelen alvorens hem op te laden.
4. Laad de accu op als u deze gedurende een lange tijd (meer dan zes maanden) niet gaat gebruiken.

BESCHRIJVING VAN DE FUNCTIES

LET OP:

- Zorg altijd dat het gereedschap is uitgeschakeld en de accu ervan is verwijderd alvorens de functies op het gereedschap af te stellen of te controleren.

Installeren of verwijderen van de accu (Fig. 1)

LET OP:

- Schakel altijd het gereedschap uit voordat u de accu aanbrengt of verwijdert.
- Houd het gereedschap en de accu stevig vast wanneer u de accu aanbrengt of verwijdert. Als u het gereedschap en de accu niet stevig vasthoudt, zou er iets uit uw handen kunnen glippen, met gevaar voor schade aan het gereedschap of de accu en eventuele verwonding.

Om de accu te verwijderen, schuift u deze uit het gereedschap los terwijl u de knop voorop de accu ingedrukt houdt.

Voor het aanbrengen van de accu plaatst u de tong van de accu in de groef van de behuizing en schuift u de accu op zijn plaats. Schuif de accu er altijd volledig in totdat die op zijn plaats vast klikt. Wanneer de rode indicator op de bovenkant van de knop nog zichtbaar is, zit de accu niet volledig erin.

LET OP:

- Schuif de accu volledig erin totdat de rode indicator niet meer zichtbaar is. Als u dit nalaat, zou de accu uit het gereedschap kunnen vallen en uzelf of anderen kunnen verwonden.
- Druk de accu er niet met kracht in. Als de accu er niet soepel in gaat, houdt u die waarschijnlijk in de verkeerde stand.

Accubeveiligingssysteem (lithium-ionenaccu met een stermarkering) (Fig. 2)

Lithium-ionenaccu's met een stermarkering zijn voorzien van een beveiligingssysteem. Dat kan automatisch de stroomtoevoer afsluiten om de levensduur van de accu te verlengen.



















Het gereedschap kan tijdens gebruik automatisch stoppen wanneer het gereedschap en/of de accu aan één van de volgende omstandigheden wordt blootgesteld:

- Overbelasting:
Als het gereedschap wordt gebruikt op een manier die een abnormaal hoge stroomsterkte vergt.
In dit geval laat u de trekkerschakelaar van het gereedschap los en verhelpt u de oorzaak van de overbelasting nadat het werktuig gestopt is. Vervolgens drukt u de trekkerschakelaar opnieuw in om weer te starten.
Als het gereedschap niet start, kan de accu oververhit zijn. In dit geval laat u eerst de accu afkoelen voordat u de trekkerschakelaar weer indrukt.
- Onvoldoende accuspanning:
Als de resterende accuspanning onvoldoende is, zal het gereedschap niet starten. In dat geval verwijdert u de accu en laadt u die opnieuw op.

Aangeven van de resterende accuspanning (Fig. 3)

Alleen voor accu's met een indicatorlampje

Druk op de controletuets van de accu om de resterende accuspanning te zien. De spanningslampjes gaan enkele seconden lang branden.

Spanningslampjes			Resterende accuspanning
 Verlicht	 Gedoofd	 Knipperend	
			75% tot 100%
			50% tot 75%
			25% tot 50%
			0% tot 25%
			Laad de accu op.
 	 	 	Wellicht is er iets mis met de accu.

015658

OPMERKING:

- Afhankelijk van de gebruiksomstandigheden en de omgevingstemperatuur kan de aanduiding wel eens ietwat afwijken van de werkelijk resterende accuspanning.

Selecteren van de zaagactie (Fig. 4)

Dit gereedschap kan met twee zaagacties worden gebruikt: Zagen in een cirkelbaan of in rechte lijn (op en neer). Tijdens zagen in een cirkelbaan, wordt het zaagblad door de zaagactie naar voren geduwd en vermeerderd de zaagsnelheid aanzienlijk.

Om de zaagactie te veranderen, draait u gewoon de zaagactie-keuzehendel naar de gewenste stand. Zie de onderstaande tabel voor het selecteren van de zaagactie.

Stand	Zaagactie	Toepassingen
0	Zagen in rechte lijn	Zagen van zacht staal, roestvrij staal en plastic. Schoon zagen van hout en gelaagd hout.
I	Zagen in kleine cirkelbaan	Zagen van zacht staal, aluminium en hard hout.
II	Zagen in middelgrote cirkelbaan	Zagen van hout en gelaagd hout. Snel zagen in aluminium en zacht staal.
III	Zagen in grote cirkelbaan	Snel zagen in hout en gelaagd hout.

006376

Werking van de schakelaar (Fig. 5 en 6)

⚠ LET OP:

- Alvorens de accu in het gereedschap te plaatsen, moet u altijd controleren of de trekkerschakelaar juist werkt en bij het loslaten naar de "OFF" positie terugkeert.
- Wanneer u het gereedschap niet gebruikt, drukt u op de uit-vergrendelknop vanaf de A-kant om de trekker-schakelaar te vergrendelen in de uit-stand.

Om te voorkomen dat de trekkerschakelaar per ongeluk wordt bediend, is de uit-vergrendelknop aangebracht.

Om het gereedschap te starten, drukt u vanaf de B-kant op de uit-vergrendelknop in en knijpt u de trekkerschakelaar in.

De draaisnelheid van het gereedschap neemt toe naarmate u meer druk uitoefent op de trekkerschakelaar. Laat de trekkerschakelaar los om het gereedschap te stoppen. Na gebruik, vergeet u niet vanaf de A-kant op de uit-vergrendelknop te drukken.

Aanzetten van de lampen

⚠ LET OP:

- Kijk niet direct in het licht of de lichtbron.

Druk de trekker in om de lamp aan te zetten. Laat de trekker los om de lamp uit te doen.

OPMERKING:

- Gebruik een droge doek om vuil op de lamplens eraf te vegen. Let op dat u geen krassen maakt op de lamplens, aangezien de verlichtingssterkte daardoor zal verminderen.

INEENZETTEN

⚠ LET OP:

- Controleer altijd of het gereedschap is uitgeschakeld en de accu ervan is verwijderd alvorens enig werk aan het gereedschap uit te voeren.

Installeren of verwijderen van het zaagblad

⚠ LET OP:

- Verwijder altijd alle spaanders of verontreinigingen van het zaagblad en/of de zaagbladhouder. Als u dit verzuimt, bestaat er kans dat het zaagblad niet goed vastgezet zal zijn, hetgeen ernstige verwonding kan veroorzaken.
- Raak het zaagblad of het werkstuk niet aan onmiddellijk na het gebruik; deze kunnen gloeiend heet zijn en brandwonden veroorzaken.

- Zet het zaagblad goed vast, omdat er anders gevaar is voor ernstige verwonding.
- Wees bij het verwijderen van het zaagblad voorzichtig dat u uw vingers niet verwondt aan de bovenkant van het zaagblad of de werkstukspaanders.

Om het zaagblad aan te brengen, opent u de gereedschapsopener tot de stand aangegeven in de afbeelding. (Fig. 7)

Houd de opener in die positie en steek het zaagblad zo ver in de zaagbladkleem dat de twee uitsteeksels van het zaagblad niet meer zichtbaar zijn. (Fig. 8)

Breng de gereedschapsopener terug naar zijn oorspronkelijke positie.

Nadat het zaagblad geïnstalleerd is, moet u er even aan trekken om te controleren of het goed vast zit.

⚠ LET OP:

- Open de gereedschapsopener niet te ver, omdat het gereedschap daardoor beschadigd kan raken.

Om het zaagblad te verwijderen, opent u de gereedschapsopener tot de stand aangegeven in de afbeelding. (Fig. 9) Trek het zaagblad eruit in de richting van de gereedschapsvoet.

OPMERKING:

- Smeer regelmatig de rol.

Opbergplaats voor de inbussleutel (Fig. 10)

Wanneer u de inbussleutel niet gebruikt, bergt u deze op de plaats aangegeven in de afbeelding op, om te voorkomen dat deze wordt verloren.

Dekplaat (Fig. 11)

Gebruik de dekplaat wanneer u decoratiefineerhout, kunststof e.d. zaagt. Deze plaat beschermt gevoelige of tere oppervlakken tegen beschadiging. Bevestig de plaat op de onderzijde van de gereedschapsvoet.

Antisplinterinrichting (Fig. 12)

Om splintervrije zaagsneden te krijgen, kunt u de anti-splinterinrichting gebruiken. Om deze te installeren, schuift u de gereedschapsvoet helemaal naar voren en dan bevestigt u de inrichting vanaf de onderzijde van de voet. Wanneer u de dekplaat gebruikt, installeert u de anti-splinterinrichting op de dekplaat.

⚠ LET OP:

- De anti-splinterinrichting kan niet gebruikt worden voor zagen onder een schuine hoek.

Stofafzuiging

Gebruik bij voorkeur het stofzuigmondstuk (optioneel accessoire) om schoner te kunnen werken. (Fig. 13)

Om het stofzuigmondstuk op het gereedschap te monteren, steekt u de haak van het stofzuigmondstuk in het gat in de gereedschapsvoet.

Het stofzuigmondstuk kan aan de linker of rechter zijde van de voet worden geïnstalleerd. (Fig. 14)

Sluit daarna een Makita stofzuiger aan op het stofzuigmondstuk. (Fig. 15)

BEDIENING

⚠ LET OP:

- Houd de voet van het gereedschap altijd vlak met het werkstuk. Als u dit niet doet, kan het zaagblad breken, hetgeen ernstige verwonding kan veroorzaken. (Fig. 16)

Schakel het gereedschap in zonder dat het zaagblad iets raakt en wacht tot het zaagblad op volle snelheid draait. Plaats dan de voet van het gereedschap vlak op het werkstuk en beweeg het gereedschap langzaam naar voren langs de van te voren op het werkstuk aangebrachte zaaglijn.

OPMERKING:

- Als u het gereedschap doorlopend gebruikt totdat de accu volledig ontladen is, moet u het gereedschap 15 minuten laten rusten alvorens met een nieuwe accu verder te werken.

Voor het zagen van bochten dient het gereedschap zeer langzaam naar voren te worden bewogen.

Zagen onder een schuine hoek (Fig. 17)

⚠ LET OP:

- Zorg er altijd voor dat de machine is uitgeschakeld en de accu is verwijderd, voordat u de voet kantelt.

Door de gereedschapsvoet schuin te zetten kunt u schuin zagen bij een willekeurige hoek tussen 0° en 45° (links of rechts).

Draai met de inbussleutel de bout aan de achterkant van de voet los. Beweeg de voet zodat de bout vlak in het midden van de schuine sleuf in de voet komt te zitten. (Fig. 18)

Kantel de gereedschapsvoet om de gewenste schuine hoek te krijgen. De V-inkeping in het tandwielhuis geeft de schuine hoek in schaalverdelingen aan. Draai daarna de bout vast om de voet vast te zetten. (Fig. 19)

Zagen tot helemaal tegen de kant

Draai met de inbussleutel de bout aan de achterkant van de voet los en schuif de gereedschapsvoet helemaal naar achteren. Draai daarna de bout vast om de voet vast te zetten. (Fig. 20)

Figuren uitzagen

Voor het uitzagen van figuren kunt u methode A of B gebruiken.

A) Vorboren van een startgaatje (Fig. 21):

Om figuren onmiddellijk in het midden van het werkstuk uit te zagen, en dus niet vanaf de rand, dient u eerst een startgaatje met een diameter van 12 mm of meer te boren. Steek het zaagblad door dit gaatje en begin dan met te zagen.

B) Invalzagen (Fig. 22):

U hoeft geen startgaatje te boren of geen geleidende te maken indien u voorzichtig als volgt te werk gaat.

1. Houd het gereedschap schuin voorover door alleen het voorste gedeelte van de voet op het werkstuk te laten rusten, met de punt van het zaagblad net boven het werkstukoppervlak.
2. Oefen een beetje druk uit op het gereedschap om te voorkomen dat de voorrand van de voet kan bewegen, en schakel het gereedschap in. Laat het achterste van het gereedschap langzaam zakken.
3. Naarmate het zaagblad door het werkstuk heen zaagt, laat u de voet van het gereedschap langzaam op het werkstukoppervlak zakken.
4. Zaag verder op de normale manier.

Afwerken van de randen (Fig. 23)

Voor het afwerken van randen of voor nauwkeurig op maat zagen, laat u het zaagblad lichtjes langs de gezaagde randen lopen.

Zagen van metaal

Voor het zagen van metaal dient u altijd een geschikt koelmiddel (snijolie) te gebruiken. Wanneer u dit niet doet, zal het zaagblad snel slijten. In plaats van een koelmiddel te gebruiken, kunt u ook de onderkant van het werkstuk invetten.

Breedtegeleider-set (optioneel accessoire)

⚠ LET OP:

- Zorg er altijd voor dat de machine is uitgeschakeld en de accu is verwijderd, voordat u accessoires monteert of verwijderd.

1. Rechte stukken zagen (Fig. 24 en 25)

Wanneer u herhaaldelijk stukken die 160 mm of minder breed zijn wilt zagen, kunt u snel rechte en schone sneden krijgen door de breedtegeleider te gebruiken. Om de breedtegeleider te installeren, steekt u deze met zijn geleider naar beneden gericht door de rechthoekige opening op de zijkant van de gereedschapsvoet. Schuif de breedtegeleider naar de positie van de gewenste breedte, en draai dan de bout vast om hem vast te zetten.

2. Cirkels en bogen zagen (Fig. 26 en 27)

Wanneer u cirkels of bogen met een straal van 170 mm of minder wilt zagen, dient u de breedtegeleider als volgt te installeren.

- Steek de breedtegeleider met zijn geleider naar boven gericht door de rechthoekige opening op de zijkant van de gereedschapsvoet. Steek de pin van de cirkelgeleider door een van de twee gaatjes in de geleider. Zet de pin vast door de schroefknop erop te schroeven.
- Schuif nu de breedtegeleider naar de positie van de gewenste straal, en zet deze vast door de bout vast te draaien. Schuif daarna de voet van het gereedschap helemaal naar voren.

OPMERKING:

- Gebruik altijd zaagbladen Nr. B-17, B-18, B-26 of B-27 wanneer u cirkels of bogen wilt zagen.

Geleiderailadapter-set (accessoire) (Fig. 28)

Wanneer u evenwijdige stukken van gelijke breedte wilt zagen of recht wilt zagen, kunt u snel en schoon zagen door de geleiderail en de geleiderailadapter te gebruiken.

Om de geleiderailadapter te installeren, steekt u de lineaalstaaf zo ver mogelijk in de vierkante opening in de gereedschapsvoet. Draai de bout goed vast met de inbussleutel. (Fig. 29)

Monteer de geleiderailadapter op de rail van de geleiderail. Steek de lineaalstaaf in de vierkante opening in de geleiderailadapter. Plaats de gereedschapsvoet tegen de zijkant van de geleiderail en draai de bout stevig vast. (Fig. 30)

⚠ LET OP:

- Gebruik altijd de zaagbladen Nr. B-8, B-13, B-16, B-17 of 58 wanneer u de geleiderail en de geleiderailadapter wilt gebruiken.

ONDERHOUD

⚠ LET OP:

- Zorg altijd dat het gereedschap is uitgeschakeld en de accu ervan is verwijderd alvorens te beginnen met onderhoud of inspectie.
- Gebruik nooit benzine, wasbenzine, thinner, alcohol en dergelijke. Hierdoor het verkleuring, vervormingen en barsten worden veroorzaakt.

Vervangen van de koolborstels (Fig. 31 en 32)

Verwijder en controleer regelmatig de koolborstels. Vervang de koolborstels wanneer ze tot aan de limietmarkering versleten zijn. Houd de koolborstels schoon zodat ze goed in de houders glijden. Beide koolborstels dienen tegelijkertijd te worden vervangen. Gebruik uitsluitend identieke koolborstels.

Gebruik een schroevendraaier om de doppen van de koolborstelhouders te verwijderen. Haal de versleten borstels eruit, steek de nieuwe erin, en zet de doppen weer goed vast.

Om de VEILIGHEID en BETROUWBAARHEID van het product te handhaven, dienen alle reparaties en alle andere onderhoudswerkzaamheden of afstellingen te worden uitgevoerd door een erkend Makita Servicecentrum, en dat uitsluitend met gebruik van Makita vervangingsonderdelen.

OPTIONELE ACCESSOIRES

⚠ LET OP:

- Deze accessoires of hulpstukken worden aanbevolen voor gebruik met het Makita gereedschap dat in deze gebruiksaanwijzing is beschreven. Bij gebruik van andere accessoires of hulpstukken bestaat er gevaar voor persoonlijke verwonding. Gebruik de accessoires of hulpstukken uitsluitend voor hun bestemde doel.

Raadpleeg het dichtstbijzijnde Makita Servicecentrum voor verder advies of bijzonderheden omtrent deze accessoires.

- Figuurzaagbladen
- Inbussleutel 4
- Breedtegeleider-set (Geleidelineaal-set)
- Geleiderailadapter-set
- Geleiderail-set
- Antisplinterinrichting
- Dekplaat
- Stofzuigmondstuk
- Originele Makita accu en acculader

OPMERKING:

- Sommige onderdelen in deze lijst kunnen bij het gereedschap zijn meegeleverd als standaard-accessoires. Deze kunnen van land tot land verschillen.

ENG905-1

Geluidsniveau

De typisch, A-gewogen geluidsniveaus vastgesteld volgens EN62841-2-11:

- Geluidsdruk-niveau (L_{pA}): 84 dB (A)
- Geluidsenergie-niveau (L_{WA}): 95 dB (A)
- Onnauwkeurigheid (K): 3 dB (A)

ENG907-1

OPMERKING:

- De opgegeven geluidsemisiewaarde(n) is/zijn gemeten volgens een standaardtestmethode en kan/kunnen worden gebruikt om dit gereedschap te vergelijken met andere gereedschappen.
- De opgegeven geluidsemisiewaarde(n) kan/kunnen ook worden gebruikt voor een beoordeling vooraf van de blootstelling.

⚠ WAARSCHUWING:

- **Draag gehoorbescherming.**
- **De geluidsemisie tijdens het gebruik van het elektrisch gereedschap in de praktijk kan verschillen van de opgegeven waarde(n) afhankelijk van de manier waarop het gereedschap wordt gebruikt, met name van het soort werkstuk waarmee wordt gewerkt.**
- **Zorg ervoor dat veiligheidsmaatregelen worden getroffen ter bescherming van de gebruiker die zijn gebaseerd op een schatting van de blootstelling onder praktijkomstandigheden (rekening houdend met alle fasen van de bedrijfscyclus, zoals de tijdsduur gedurende welke het gereedschap is uitgeschakeld en stationair draait, naast de ingeschakelde tijdsduur).**

ENG900-1

Trilling

De totaalwaarde van de trillingen (triaxiale vectorsom) vastgesteld volgens EN62841-2-11:

- Toepassing: zagen in plaatmateriaal
- Trillingsemisie ($a_{h,B}$): 7,0 m/s²
- Onnauwkeurigheid (K): 1,5 m/s²

- Toepassing: plaatstaal knippen
- Trillingsemisie ($a_{h,M}$): 3,5 m/s²
- Onnauwkeurigheid (K): 1,5 m/s²

ENG901-2

OPMERKING:

- De totale trillingswaarde(n) is/zijn gemeten volgens een standaardtestmethode en kan/kunnen worden gebruikt om dit gereedschap te vergelijken met andere gereedschappen.
- De opgegeven totale trillingswaarde(n) kan/kunnen ook worden gebruikt voor een beoordeling vooraf van de blootstelling.

⚠ WAARSCHUWING:

- **De trillingsemisie tijdens het gebruik van het elektrisch gereedschap in de praktijk kan verschillen van de opgegeven waarde(n) afhankelijk van de manier waarop het gereedschap wordt gebruikt, met name van het soort werkstuk waarmee wordt gewerkt.**

- **Zorg ervoor dat veiligheidsmaatregelen worden getroffen ter bescherming van de gebruiker die zijn gebaseerd op een schatting van de blootstelling onder praktijkomstandigheden (rekening houdend met alle fasen van de bedrijfscyclus, zoals de tijdsduur gedurende welke het gereedschap is uitgeschakeld en stationair draait, naast de ingeschakelde tijdsduur).**

EG-VERKLARING VAN CONFORMITEIT

Alleen voor Europese landen

De EG-verklaring van conformiteit is bijgesloten als Aanhangsel A bij deze gebruiksaanwijzing.

Explicación de los dibujos

1 Indicador rojo	13 Salientes	26 Agujero de inicio
2 Botón	14 Base	27 Guía de apoyo
3 Cartucho de batería	15 Llave hexagonal	28 Guía lateral
4 Marca de estrella	16 Placa de rozamiento	29 Perilla roscada
5 Lámparas indicadoras	17 Dispositivo antiastillas	30 Pasador para la guía circular
6 Botón de comprobación	18 Tubo de aspiración	31 Regla
7 Palanca de cambio de la acción de corte	19 Manguera para aspirador	32 Adaptador para carril de guía
8 Botón de desbloqueo	20 Línea de corte	33 Carril de guía
9 Gatillo interruptor	21 Perno	34 Tornillo
10 Abridor de la herramienta	22 Ranura de bisel	35 Marca límite
11 Mordaza para sierra	23 Graduaciones	36 Tapón portaescobillas
12 Hoja de sierra de calar	24 Muesca en V	37 Destornillador
	25 Alojamiento de engranajes	

ESPECIFICACIONES

Modelo		DJV180
Longitud de carrera		26 mm
Capacidad máxima de corte	Madera	135 mm
	Acero suave	10 mm
	Aluminio	20 mm
Carreras por minuto (min ⁻¹)		0 – 2.600
Longitud total		257 mm
Peso neto		2,7 – 3,0 kg
Tensión nominal		CC 18 V

- Debido a un programa continuo de investigación y desarrollo, las especificaciones aquí dadas están sujetas a cambios sin previo aviso.
- Las especificaciones pueden ser diferentes de país a país.
- El peso puede variar dependiendo del accesorio(s), incluyendo el cartucho de batería. La combinación menos pesada y la más pesada, de acuerdo con el procedimiento EPTA 01/2014, se muestran en la tabla.

Cartucho de batería y cargador aplicables

Cartucho de batería	BL1815N / BL1820 / BL1820B / BL1830 / BL1830B / BL1840 / BL1840B / BL1850 / BL1850B / BL1860B
Cargador	DC18RC / DC18RD / DC18RE / DC18SD / DC18SE / DC18SF

- Algunos de los cartuchos de batería y cargadores indicados arriba puede que no estén disponibles dependiendo de su región de residencia.

⚠ ADVERTENCIA: Utilice solamente los cartuchos de batería y cargadores indicados arriba. La utilización de cualquier otro cartucho de batería y cargador puede ocasionar heridas y/o un incendio.

ENE019-1

GEA010-2

Uso previsto

La herramienta ha sido prevista para serrar madera, plástico y materiales metálicos. Gracias a la variedad de accesorios y tipos de sierras para diversos usos existentes, la herramienta puede utilizarse para muchas tareas y es muy apropiada para cortes curvados y circulares.

Advertencias de seguridad para herramientas eléctricas en general

⚠ ¡ADVERTENCIA! Lea todas las advertencias de seguridad, instrucciones, ilustraciones y especificaciones provistas con esta herramienta eléctrica. Si no sigue todas las instrucciones indicadas abajo podrá resultar en una descarga eléctrica, un incendio y/o heridas graves.

Guarde todas las advertencias e instrucciones para futuras referencias.

El término "herramienta eléctrica" en las advertencias se refiere a su herramienta eléctrica de funcionamiento con conexión a la red eléctrica (con cable) o herramienta eléctrica de funcionamiento a batería (sin cable).

ADVERTENCIAS DE SEGURIDAD PARA LA SIERRA CALADORA INALÁMBRICA

1. Cuando realice una operación en la que el accesorio de corte pueda entrar en contacto con cableado oculto, sujete la herramienta eléctrica por las superficies de aislamiento aisladas. El contacto del accesorio de corte con un cable con corriente puede hacer que la corriente circule por las partes metálicas expuestas de la herramienta eléctrica y soltar una descarga eléctrica al operario.
2. Utilice mordazas u otros medios de sujeción prácticos para sujetar y apoyar la pieza de trabajo en una plataforma estable. Sujetada con la mano o contra su cuerpo, la pieza de trabajo estará inestable y podrá ocasionar la pérdida del control.
3. Utilice siempre gafas de seguridad o gafas de protección. Las gafas normales o de sol NO son gafas de seguridad.
4. Evite cortar clavos. Inspeccione la pieza de trabajo por si tiene algún clavo y retírelos antes de empezar la operación.
5. No corte piezas de trabajo sobredimensionadas.
6. Compruebe que hay espacio suficiente debajo de la pieza de trabajo antes de cortar, de forma que la hoja de sierra no golpee contra el suelo, el banco de trabajo, etc.
7. Sujete la herramienta firmemente.
8. Asegúrese de que la hoja de sierra no está tocando la pieza de trabajo antes de activar el interruptor.
9. Mantenga las manos alejadas de las partes en movimiento.
10. No deje la herramienta en marcha. Opere la herramienta solamente cuando la tenga sujetada con las manos.
11. Apague siempre la herramienta y espere hasta que la hoja de sierra se haya parado completamente antes de retirar la hoja de sierra de la pieza de trabajo.
12. No toque la hoja de sierra o la pieza de trabajo inmediatamente después de la operación; podrán estar muy calientes y quemarle la piel.
13. No utilice la herramienta sin carga innecesariamente.
14. Algunos materiales contienen sustancias químicas que podrán ser tóxicas. Tenga precaución para evitar la inhalación de polvo y el contacto con la piel. Siga los datos de seguridad del abastecedor del material.
15. Utilice siempre la mascarilla contra el polvo/respirador correcto para el material y la aplicación con que esté trabajando.

GUARDE ESTAS INSTRUCCIONES.

ADVERTENCIA:

NO deje que la comodidad o familiaridad con el producto (a base de utilizarlo repetidamente) sustituya la estricta observancia de las normas de seguridad para el producto en cuestión. El MAL USO o el no seguir las normas de seguridad establecidas en este manual de instrucciones podrá ocasionar graves heridas personales.

INSTRUCCIONES DE SEGURIDAD IMPORTANTES PARA EL CARTUCHO DE BATERÍA

1. Antes de utilizar el cartucho de batería, lea todas las instrucciones e indicaciones de precaución sobre (1) el cargador de baterías, (2) la batería, y (3) el producto con el que se utiliza la batería.
2. No desarme el cartucho de batería.
3. Si el tiempo de uso se acorta demasiado, cese la operación inmediatamente. Podría resultar en un riesgo de recalentamiento, posibles quemaduras e incluso una explosión.
4. Si entra electrólito en sus ojos, aclárelos con agua limpia y acuda a un médico inmediatamente. Existe el riesgo de poder perder la vista.
5. No cortocircuite el cartucho de batería:
 - (1) No toque los terminales con ningún material conductor.
 - (2) Evite guardar el cartucho de batería en un cajón junto con otros objetos metálicos, como clavos, monedas, etc.
 - (3) No exponga el cartucho de batería al agua ni a la lluvia.

Un cortocircuito en la batería puede producir una gran circulación de corriente, un recalentamiento, posibles quemaduras e incluso una rotura de la misma.

6. No guarde la herramienta y el cartucho de batería en lugares donde la temperatura pueda alcanzar o exceder los 50°C.
7. Nunca incinere el cartucho de batería incluso en el caso de que esté dañado seriamente o ya no sirva en absoluto. El cartucho de batería puede explotar si se tira al fuego.
8. Tenga cuidado de no dejar caer ni golpear el cartucho de batería.
9. No utilice una batería dañada.
10. Las baterías de litio-ion contenidas están sujetas a los requisitos de la Legislación para Materiales Peligrosos.

Para transportes comerciales, p.ej., por terceras personas y agentes de transportes, se deberán observar requisitos especiales para el empaquetado y etiquetado.

Para la preparación del artículo que se va a enviar, se requiere consultar con un experto en materiales peligrosos. Por favor, observe también la posibilidad de reglamentos nacionales más detallados.

Cubra con cinta aislante o enmascare los contactos expuestos y empaquete la batería de tal manera que no se pueda mover alrededor dentro del embalaje.
11. Siga los reglamentos locales referentes al desecho de la batería.
12. Utilice las baterías solamente con los productos especificados por Makita. La instalación de las baterías en productos no compatibles puede resultar en un incendio, calor excesivo, explosión, o fuga de electrolito.

GUARDE ESTAS INSTRUCCIONES.

⚠ PRECAUCIÓN:

Utilice solamente baterías genuinas de Makita. La utilización de baterías no genuinas de Makita, o baterías que han sido alteradas, puede resultar en una explosión de la batería ocasionando incendios, heridas personales y daños. También anulará la garantía de Makita para la herramienta y el cargador de Makita.

Consejos para alargar al máximo la vida de servicio de la batería

1. **Cargue el cartucho de batería antes de que se descargue completamente. Detenga siempre la operación y cargue el cartucho de batería cuando note menos potencia en la herramienta.**
2. **No cargue nunca un cartucho de batería que esté completamente cargado. La sobrecarga acortará la vida de servicio de la batería.**
3. **Cargue el cartucho de batería a temperatura ambiente de 10°C – 40°C. Si un cartucho de batería está caliente, déjelo enfriar antes de cargarlo.**
4. **Cargue el cartucho de batería si no lo utiliza durante un periodo de tiempo prolongado (más de seis meses).**

DESCRIPCIÓN DEL FUNCIONAMIENTO

⚠ PRECAUCIÓN:

- Asegúrese siempre de que la herramienta esté apagada y el cartucho de batería extraído antes de realizar cualquier ajuste o comprobación en la herramienta.

Instalación o desmontaje del cartucho de batería (Fig. 1)

⚠ PRECAUCIÓN:

- Apague siempre la herramienta antes de la instalación o extracción del cartucho de batería.
- **Sujete la herramienta y el cartucho de batería firmemente cuando instale o extraiga el cartucho de batería.** Si no sujeta la herramienta y el cartucho de batería firmemente podrán caérsele de las manos y resultar en daños a la herramienta y cartucho de batería y heridas personales.

Para extraer el cartucho de batería, deslícelo de la herramienta a la vez que desliza el botón de la parte frontal del cartucho.

Para instalar el cartucho de batería, alinee la lengüeta del cartucho de batería con la ranura de la carcasa y deslícelo hasta que encaje en su sitio. Insértelo a tope hasta que se bloquee en su sitio produciendo un pequeño chasquido. Si puede ver el indicador rojo en el lado superior del botón, no estará bloqueado completamente.

⚠ PRECAUCIÓN:

- Instale siempre el cartucho de batería completamente hasta que no pueda verse el indicador rojo. En caso contrario, podrá caerse accidentalmente de la herramienta y ocasionarle heridas a usted o a alguien que esté cerca de usted.
- No instale el cartucho de batería empleando fuerza. Si el cartucho no se desliza al interior fácilmente, será porque no está siendo insertado correctamente.

Sistema de protección de la batería (Batería de litio-ión con marca de estrella) (Fig. 2)

Las baterías de litio-ión con marca de estrella están equipadas con un sistema de protección. Este sistema corta automáticamente la alimentación de la herramienta para alargar la vida útil de la batería.












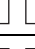



La herramienta se detendrá automáticamente durante la operación si la herramienta y/o la batería son puestas en una de las condiciones siguientes:

- **Sobrecargada:**
La herramienta es utilizada de una manera que da lugar a que tenga que absorber una corriente anormalmente alta.
En esta situación, suelte el gatillo interruptor de la herramienta y detenga la tarea que ocasiona la sobrecarga de la herramienta. Después apriete el gatillo interruptor otra vez para volver a ponerla en marcha.
Si la herramienta no se pone en marcha, la batería estará recalentada. En esta situación, deje que la batería se enfríe antes de apretar el gatillo interruptor otra vez.
- **Tensión baja en la batería:**
La capacidad de batería restante es muy baja y la herramienta no funcionará. En esta situación, extraiga la batería y vuelva a cargarla.

Indicación de la capacidad de batería restante (Fig. 3)

Solamente para cartuchos de batería con el indicador

Pulse el botón de comprobación en el cartucho de batería para indicar la capacidad de batería restante. Las lámparas indicadoras se iluminan durante unos pocos segundos.

Lámparas indicadoras			Capacidad restante
 Encendida	 Apagada	 Parpadeando	
			75% a 100%
			50% a 75%
			25% a 50%
			0% a 25%
			Cargue la batería.
			Es posible que la batería no funcione bien.

015658

NOTA:

- Dependiendo de las condiciones de utilización y la temperatura ambiente, es posible que la indicación varíe ligeramente de la capacidad real.

Selección de la acción de corte (Fig. 4)

Este herramienta se puede utilizar con una acción de corte orbital o de línea recta. (hacia arriba y hacia abajo). La acción de corte orbital empuja hacia delante a la hoja de sierra en el recorrido de corte y aumenta notablemente la velocidad de corte.

Para cambiar la acción de corte, no tiene más que girar la palanca de cambio de la acción de corte hasta la posición de acción de corte deseada. Para seleccionar la acción de corte consulte la tabla de abajo.

Posición	Acción de corte	Aplicaciones
0	Acción de corte de línea recta	Para cortar acero blando, acero inoxidable y plásticos. Para cortar limpiamente madera y contrachapado.
I	Acción de corte con pequeña órbita	Para cortar acero blando, aluminio y madera dura.
II	Acción de corte con mediana órbita	Para cortar madera y contrachapado. Para cortar rápidamente aluminio y acero blando.
III	Acción de corte con gran órbita	Para cortar rápidamente madera y contrachapado.

006376

Accionamiento del interruptor (Fig. 5 y 6)

PRECAUCIÓN:

- Antes de insertar el cartucho de batería, compruebe siempre para ver si el gatillo interruptor se acciona correctamente y regresa a la posición "OFF" cuando se libera.
- Cuando no vaya a utilizar la herramienta, presione hacia dentro el botón de desbloqueo del lado B para bloquear el gatillo interruptor en la posición OFF.

Para evitar que el gatillo pueda accionarse accidentalmente, se ha provisto el botón de desbloqueo.

Para poner en marcha la herramienta, presione hacia dentro el botón de desbloqueo del lado B y apriete el gatillo interruptor.

La velocidad de la herramienta aumenta incrementando la presión en el gatillo interruptor. Suelte el gatillo interruptor para parar. Después de la utilización, presione siempre hacia dentro el botón de desbloqueo del lado A.

Encendido de las lámparas

PRECAUCIÓN:

- No mire a la luz ni vea la fuente de luz directamente.

Para encender la lámpara, apriete el gatillo. Suelte el gatillo para apagarla.

NOTA:

- Utilice un paño seco para quitar la suciedad de la lente de la lámpara. Tenga cuidado de no rayar la lente de la lámpara, porque podrá disminuir la iluminación.

MONTAJE

PRECAUCIÓN:

- Asegúrese siempre de que la herramienta esté apagada y el cartucho de batería extraído antes de realizar cualquier trabajo en la herramienta.

Instalación o extracción de la hoja de sierra

PRECAUCIÓN:

- Limpie siempre todas las virutas o materias extrañas adheridas a la hoja de sierra y/o al portahoja de sierra. Si no lo hace así, podrá dar lugar a un apriete insuficiente de la hoja de sierra con el posible riesgo de sufrir lesiones graves.
- No toque la hoja de sierra ni la pieza de trabajo inmediatamente después la tarea de corte; podrían estar muy calientes y producirle quemaduras de piel.

- Apriete la hoja de sierra firmemente. El no hacerlo podrá acarrear heridas de gravedad.
- Cuando vaya a desmontar la sierra, tenga cuidado de no lastimarse los dedos con la punta de la sierra o las rebabas de la pieza de trabajo.

Para instalar la hoja de sierra, abra el abridor de la herramienta hasta la posición mostrada en la figura. (Fig. 7)

En esa posición, introduzca la hoja de sierra en la mordaza para sierra hasta que los dos salientes de la sierra dejen de verse. (Fig. 8)

Vuelva a poner el abridor de la herramienta en su posición original.

Después de instalar la hoja de sierra, asegúrese siempre de que la hoja esté firmemente sujeta en su sitio intentando sacarla con la mano.

PRECAUCIÓN:

- No abra el abridor de la herramienta excesivamente, porque podría dañar la herramienta.

Para quitar la hoja de sierra, abra el abridor de la herramienta hasta la posición mostrada en la figura. (Fig. 9) Tire de la hoja de sierra hacia la base para sacarla.

NOTA:

- Lubrique el rodillo de vez en cuando.

Para guardar la llave hexagonal (Fig. 10)

Cuando no la esté utilizando, coloque la llave hexagonal como se muestra en la figura para evitar perderla.

Placa de rozamiento (Fig. 11)

Utilice la placa de rozamiento cuando corte chapas de revestimiento decorativas, plásticos, etc. Protege las superficies sensibles o delicadas contra daños. Encájela en la parte posterior de la base de la herramienta.

Dispositivo antiastillas (Fig. 12)

Para cortes sin astillas, se puede utilizar el dispositivo antiastillas. Para instalar el dispositivo antiastillas, mueva la base de la herramienta hacia delante a tope y encájelo en la parte posterior de la base de la herramienta. Cuando utilice la placa de rozamiento, instale el dispositivo antiastillas en la placa de rozamiento.

PRECAUCIÓN:

- Cuando haga cortes en bisel no podrá utilizar el dispositivo antiastillas.

Extracción de polvo

Se recomienda utilizar el tubo de aspiración (accesorio opcional) para realizar operaciones de corte limpias. (Fig. 13)

Para colocar el tubo de aspiración en la herramienta, inserte el gancho del tubo de aspiración en el agujero de la base.

El tubo de aspiración se puede colocar bien en el lado derecho o bien en el izquierdo. (Fig. 14)

Después conecte un aspirador Makita al tubo de aspiración. (Fig. 15)

OPERACIÓN

⚠ PRECAUCIÓN:

- Sujete siempre la base de la herramienta plana contra la pieza de trabajo. En caso contrario, la hoja de sierra podrá romperse, y ocasionarle graves lesiones. (Fig. 16)

Encienda la herramienta sin que la hoja de sierra esté tocando nada y espere hasta que la hoja de sierra alcance plena velocidad. Luego apoye la base de la herramienta plana sobre la pieza de trabajo y desplace suavemente la herramienta hacia delante siguiendo la línea de corte marcada previamente.

NOTA:

- Si utiliza la herramienta continuamente hasta descargar el cartucho de batería, deje descansar la herramienta durante 15 minutos antes de proceder con una batería fresca.

Cuando corte curvas, avance la herramienta muy lentamente.

Corte en bisel (Fig. 17)

⚠ PRECAUCIÓN:

- Asegúrese siempre de que la herramienta esté apagada y el cartucho de batería extraído antes inclinar la base.

Inclinando la base, podrá hacer cortes en bisel a cualquier ángulo comprendido entre 0° y 45° (izquierdo o derecho).

Afloje el perno de la parte posterior de la base con la llave hexagonal. Mueva la base de forma que el perno quede posicionado en el centro de la ranura de bisel de la base. (Fig. 18)

Incline la base hasta obtener el ángulo de bisel deseado. La muesca en V del alojamiento de engranajes indica el ángulo de bisel en graduaciones. Después apriete firmemente el perno para sujetar la base. (Fig. 19)

Cortes con tope en la parte delantera

Afloje el perno de la parte trasera de la base con la llave hexagonal y deslice la base hacia atrás a tope. Luego apriete el perno para sujetar la base de la herramienta. (Fig. 20)

Corte de aberturas

Los cortes de aberturas pueden realizarse con cualquiera de los dos métodos A o B.

A) Perforando un agujero de arranque (Fig. 21):

Para hacer una abertura interna sin un corte de arranque desde el borde, perforo un agujero de inicio de 12 mm o más de diámetro. Inserte la hoja de sierra en este agujero para iniciar la abertura.

B) Corte calado (Fig. 22):

Si realiza lo siguiente con cuidado, no necesitará perforar un agujero de arranque o hacer un corte desde el borde.

1. Incline la herramienta hacia delante sobre el borde delantero de la base, con la punta de la hoja de sierra situada justo por encima de la superficie de la pieza de trabajo.
2. Aplique presión sobre la herramienta para que el borde delantero de la base no se mueva cuando ponga en marcha la herramienta y baje con cuidado gradualmente la parte posterior de la herramienta.
3. Según la hoja de sierra vaya penetrando en la pieza de trabajo, baje gradualmente la base de la herramienta hasta la superficie de la pieza de trabajo.
4. Complete el corte de manera normal.

Suavizamiento de bordes (Fig. 23)

Para suavizar bordes o hacer ajustes dimensionales, pase la hoja de sierra a lo largo de bordes cortados.

Corte de metales

Utilice siempre un refrigerante adecuado (aceite de corte) cuando corte metales. Si no lo utiliza la hoja de sierra se desgastará considerablemente. En lugar de utilizar un refrigerante puede engrasar la parte inferior de la pieza de trabajo.

Conjunto de guía de apoyo (accesorio opcional)

⚠ PRECAUCIÓN:

- Asegúrese siempre de que la herramienta esté apagada y el cartucho de batería extraído antes instalar o quitar accesorios.

1. Cortes rectos (Fig. 24 y 25)

Cuando haga cortes repetidos de 160 mm o menos de anchura, el empleo de la guía de apoyo asegurará unos cortes rápidos, limpios y rectos. Para instalarla, inserte la guía de apoyo en el orificio rectangular situado en el costado de la base de la herramienta con la guía lateral mirando hacia abajo. Deslice la guía de apoyo hasta la posición que le ofrezca la anchura de corte deseada, luego apriete el perno para sujetarla.

2. Cortes circulares (Fig. 26 y 27)

Cuando corte círculos o arcos de 170 mm o menos de radio, instale la guía de apoyo de la siguiente forma.

- Inserte la guía de apoyo en el orificio rectangular situado en el costado de la base de la herramienta con la guía lateral mirando hacia arriba. Inserte el pasador de la guía circular en uno de los dos orificios de la guía lateral. Rosque la perilla roscada en el pasador para sujetar el pasador.
- Ahora deslice la guía de apoyo hasta el radio de corte deseado, y apriete el perno para sujetarla en esa posición. Luego mueva la base de la herramienta completamente hacia delante.

NOTA:

- Cuando corte círculos o arcos, utilice siempre hojas de corte N.° B-17, B-18, B-26 o B-27.

Conjunto de adaptador para carril de guía (accesorio) (Fig. 28)

Al hacer cortes paralelos y de anchura uniforme o cortes rectos, el uso del carril de guía y del adaptador para carril de guía asegurará la obtención de cortes rápidos y limpios.

Para instalar el adaptador para carril de guía, inserte la regla a fondo en el agujero cuadrado de la base. Apriete el perno firmemente con la llave hexagonal. (Fig. 29) Instale el adaptador para carril de guía en el carril del carril de guía. Inserte la regla en el agujero cuadrado del adaptador para carril de guía. Ponga la base en el costado del carril de guía y apriete el perno firmemente. (Fig. 30)

PRECAUCIÓN:

- Utilice siempre hojas de sierra N.º B-8, B-13, B-16, B-17 ó 58 cuando utilice el carril de guía y el adaptador para carril de guía.

MANTENIMIENTO

PRECAUCIÓN:

- Asegúrese siempre de que la herramienta esté apagada y el cartucho de batería extraído antes de intentar realizar una inspección o mantenimiento.
- No utilice nunca gasolina, bencina, disolvente, alcohol o similares. Podría producir descoloración, deformación o grietas.

Reemplazo de las escobillas de carbón (Fig. 31 y 32)

Extraiga e inspeccione las escobillas de carbón regularmente. Reemplácelas cuando se hayan desgastado hasta la marca límite. Mantenga las escobillas de carbón limpias de forma que entren libremente en los portaescobillas. Deberán reemplazarse ambas escobillas de carbón al mismo tiempo. Utilice únicamente escobillas de carbón idénticas.

Utilice un destornillador para quitar los tapones portaescobillas. Extraiga las escobillas desgastadas, inserte las nuevas y vuelva a colocar los tapones portaescobillas.

Para mantener la SEGURIDAD y la FIABILIDAD del producto, las reparaciones y cualquier otro mantenimiento o ajuste deberán ser realizados por los centros de servicio autorizado de Makita, siempre con piezas de repuesto de Makita.

ACCESORIOS OPCIONALES

PRECAUCIÓN:

- Estos accesorios o aditamentos están recomendados para su uso con la herramienta Makita especificada en este manual. El uso de cualquier otro accesorio o aditamento puede suponer un riesgo de lesiones personales. Utilice el accesorio o aditamento exclusivamente para su uso declarado.

Si necesita información más detallada sobre estos accesorios, consulte con su centro local de servicio de Makita.

- Hojas de sierra de calar
- Llave hexagonal 4
- Conjunto de guía de apoyo (Conjunto de regla guía)
- Conjunto de adaptador para carril de guía
- Conjunto de carril de guía
- Dispositivo antiastillas
- Placa de rozamiento

- Tubo de aspiración
- Batería y cargador genuinos de Makita

NOTA:

- Algunos elementos de la lista podrán estar incluidos en el paquete de la herramienta como accesorios estándar. Pueden variar de un país a otro.

ENG905-1

Ruido

El nivel de ruido A-ponderado típico determinado de acuerdo con la norma EN62841-2-11:

Nivel de presión sonora (L_{pA}): 84 dB (A)

Nivel de potencia sonora (L_{WA}): 95 dB (A)

Incerteza (K): 3 dB (A)

ENG907-1

NOTA:

- El valor (o los valores) de emisión de ruido declarado ha sido medido de acuerdo con un método de prueba estándar y se puede utilizar para comparar una herramienta con otra.
- El valor (o valores) de emisión de ruido declarado también se puede utilizar en una valoración preliminar de exposición.

ADVERTENCIA:

- **Póngase protectores para oídos.**
- **La emisión de ruido durante la utilización real de la herramienta eléctrica puede variar del valor (o los valores) de emisión declarado dependiendo de las formas en las que la herramienta sea utilizada, especialmente qué tipo de pieza de trabajo se procesa.**
- **Asegúrese de identificar medidas de seguridad para proteger al operario que estén basadas en una estimación de la exposición en las condiciones reales de utilización (teniendo en cuenta todas las partes del ciclo operativo como las veces cuando la herramienta está apagada y cuando está funcionando en vacío además del tiempo de gatillo).**

ENG900-1

Vibración

El valor total de la vibración (suma de vectores triaxiales) determinado de acuerdo con la norma EN62841-2-11:

Modo tarea: corte de tableros

Emisión de vibración ($a_{h, B}$): 7,0 m/s²

Error (K): 1,5 m/s²

Modo tarea: corte de chapa de acero

Emisión de vibración ($a_{h, M}$): 3,5 m/s²

Error (K): 1,5 m/s²

ENG901-2

NOTA:

- El valor (o los valores) total de emisión de vibración declarado ha sido medido de acuerdo con un método de prueba estándar y se puede utilizar para comparar una herramienta con otra.
- El valor (o los valores) total de emisión de vibración declarado también se puede utilizar en una valoración preliminar de exposición.

ADVERTENCIA:

- **La emisión de vibración durante la utilización real de la herramienta eléctrica puede variar del valor (o los valores) de emisión declarado dependiendo de las formas en las que la herramienta sea utilizada, especialmente qué tipo de pieza de trabajo se procesa.**

- **Asegúrese de identificar medidas de seguridad para proteger al operario que estén basadas en una estimación de la exposición en las condiciones reales de utilización (teniendo en cuenta todas las partes del ciclo operativo como las veces cuando la herramienta está apagada y cuando está funcionando en vacío además del tiempo de gatillo).**

DECLARACIÓN CE DE CONFORMIDAD

Sólo para países europeos

La declaración CE de conformidad está incluida como Anexo A de este manual de instrucciones.

Explicação geral

1	Indicador vermelho	14	Base	26	Orifício de início
2	Botão	15	Chave hexagonal	27	Vedação para escarificação
3	Bateria	16	Placa de cobertura	28	Vedação guia
4	Marcação de estrela	17	Mecanismo	29	Botão roscado
5	Luzes indicadoras		de anti-fragmentação	30	Haste para a guia circular
6	Botão de verificação	18	Bocal do pó	31	Barra régua
7	Alavanca de mudança da acção de corte	19	Mangueira para o aspirador do pó	32	Adaptador de carril de guia
8	Botão de segurança	20	Linha de corte	33	Carril de guia
9	Gatilho de interruptor	21	Perno	34	Parafuso
10	Abridor da ferramenta	22	Calha de bisel	35	Marca limite
11	Suporte da lâmina	23	Graduações	36	Tampa do porta escovas
12	Lâmina da serra de vaivém	24	Ranhura em V	37	Chave de parafusos
13	Protuberância	25	Caixa do motor		

ESPECIFICAÇÕES

Modelo		DJV180
Comprimento do corte		26 mm
Capacidade máxima de corte	Madeira	135 mm
	Aço macio	10 mm
	Alumínio	20 mm
Cortes por minutos (min ⁻¹)		0 – 2.600
Comprimento total		257 mm
Peso líquido		2,7 – 3,0 kg
Voltagem nominal		18 V CC

- Devido a um programa contínuo de pesquisa e desenvolvimento, estas especificações podem ser alteradas sem aviso prévio.
- As especificações podem variar de país para país.
- O peso pode diferir dependendo do(s) acessório(s), incluindo a bateria. A combinação mais leve e mais pesada, de acordo com o Procedimento 01/2014 da EPTA (European Power Tool Association), são apresentadas na tabela.

Cartucho de bateria e carregador aplicáveis

Cartucho de bateria	BL1815N / BL1820 / BL1820B / BL1830 / BL1830B / BL1840 / BL1840B / BL1850 / BL1850B / BL1860B
Carregador	DC18RC / DC18RD / DC18RE / DC18SD / DC18SE / DC18SF

- Alguns dos cartuchos de bateria e carregadores listados acima podem não estar disponíveis, dependendo da sua região de residência.

⚠ AVISO: Utilize apenas os cartuchos de bateria e os carregadores listados acima. A utilização de qualquer outro cartucho de bateria e carregador pode provocar ferimentos e/ou incêndio.

ENE019-1

GEA010-2

Utilização pretendida

A ferramenta foi concebida para a serragem de madeira, plásticos e materiais metálicos. Como resultado dos imensos acessórios e dos programas da lâmina da serra, a ferramenta pode ser utilizada para muitos fins e é adequada para cortes curvos ou circulares.

Avisos gerais de segurança para ferramentas eléctricas

⚠ AVISO! Leia todos os avisos de segurança, instruções, ilustrações e especificações fornecidos com esta ferramenta eléctrica. O não cumprimento de todas as instruções indicadas em baixo pode resultar em choque eléctrico, incêndio e/ou ferimentos graves.

Guarde todos os avisos e instruções para futuras referências.

O termo “ferramenta eléctrica” nos avisos refere-se às ferramentas eléctricas ligadas à corrente eléctrica (com cabo) ou às ferramentas eléctricas operadas por meio de bateria (sem cabo).

AVISOS DE SEGURANÇA DA SERRA TICO-TICO A BATERIA

1. Segure na ferramenta elétrica pelas superfícies de aderência isoladas quando executar uma operação em que o acessório de corte possa entrar em contacto com fios ocultos. O contacto do acessório de corte com um fio elétrico "sob tensão" pode tornar as partes metálicas expostas da ferramenta elétrica "sob tensão" e pode causar um choque elétrico ao operador.
2. Utilize grampos ou qualquer outro modo prático para prender e suportar a peça de trabalho numa superfície estável. Segurar na peça de trabalho com a mão ou contra o corpo deixa-a instável e pode levar à perda de controlo.
3. Utilize sempre óculos de segurança. Os óculos normais ou de sol NÃO são óculos de segurança.
4. Evite cortar pregos. Inspeccione a peça de trabalho e se tiver pregos, tire-os antes da operação.
5. Não corte peças de trabalho de tamanho muito grande.
6. Verifique se tem a folga adequada sob a peça de trabalho antes de cortar, de modo a que a serra não bata no chão, bancada, etc.
7. Segure firmemente na ferramenta.
8. Certifique-se de que a serra não está em contacto com a peça de trabalho antes de ligar o interruptor.
9. Mantenha as mãos afastadas das partes em movimento.
10. Não deixe a ferramenta a funcionar. Utilize a ferramenta apenas quando estiver na sua mão.
11. Desligue sempre e espere que a serra pare completamente antes de retirar a serra da peça de trabalho.
12. Não toque na serra ou na peça de trabalho imediatamente a seguir à operação pois podem estar extremamente quentes e provocar queimaduras.
13. Não utilize com a ferramenta em vazio desnecessariamente.
14. Alguns materiais contêm químicos que podem ser tóxicos. Tome todas as precauções para impedir a inalação de poeiras e o contacto com a pele. Siga os dados de segurança do fornecedor do material.
15. Utilize sempre a máscara de pó/respirador correto para o material e a aplicação com que está a trabalhar.

GUARDE ESTAS INSTRUÇÕES.

⚠ AVISO:

NÃO permita que o conforto ou familiaridade com o produto (adquirido com o uso repetido) substitua o cumprimento estrito das regras de segurança da ferramenta. A MÁ INTERPRETAÇÃO ou o não seguimento das regras de segurança estabelecidas neste manual de instruções pode provocar ferimentos pessoais graves.

INSTRUÇÕES DE SEGURANÇA IMPORTANTES PARA A BATERIA

1. Antes de utilizar a bateria, leia todas as instruções e etiquetas de precaução no (1) carregador de bateria (2) bateria e (3) produto que utiliza a bateria.
2. Não abra a bateria.
3. Se o tempo de funcionamento se tornar excessivamente curto, pare o funcionamento imediatamente. Pode resultar em sobreaquecimento, possíveis queimaduras e mesmo explosão.
4. Se entrar eletrólito nos seus olhos, lave-os com água e consulte imediatamente um médico. Pode resultar em perda de visão.
5. Não coloque a bateria em curto-circuito:
 - (1) Não toque nos terminais com qualquer material condutor.
 - (2) Evite guardar a bateria juntamente com outros objetos metálicos tais como pregos, moedas, etc.
 - (3) Não exponha a bateria à água ou chuva.

Um curto-circuito pode ocasionar um enorme fluxo de corrente, sobreaquecimento, possíveis queimaduras e mesmo estragar-se.

6. Não guarde a ferramenta e a bateria em locais onde a temperatura pode atingir ou exceder 50°C.
7. Não queime a bateria mesmo que esteja estragada ou completamente gasta. A bateria pode explodir no fogo.
8. Tenha cuidado para não deixar cair ou dar pancadas na bateria.
9. Não utilize uma bateria danificada.
10. As baterias de íões de lítio contidas na ferramenta são sujeitas aos requisitos da DGL (Dangerous Goods Legislation - Legislação de bens perigosos).
Para o transporte comercial, por exemplo, por terceiros ou agentes de expedição, têm de ser observados os requisitos referentes à embalagem e etiquetagem.
Para preparação do artigo a ser expedido, é necessário consultar um perito em materiais perigosos. Tenha ainda em conta a possibilidade de existirem regulamentos nacionais mais detalhados.
Coloque fita-cola ou tape os contactos abertos e embale a bateria de tal forma que não possa mover-se dentro da embalagem.
11. Siga os regulamentos locais relacionados com a eliminação de baterias.
12. Utilize as baterias apenas com os produtos especificados pela Makita. Instalar as baterias em produtos não-conformes poderá resultar num incêndio, calor excessivo, explosão ou fuga de eletrólito.

GUARDE ESTAS INSTRUÇÕES.

⚠ PRECAUÇÃO:

Utilize apenas baterias genuínas da Makita. A utilização de baterias não genuínas da Makita ou de baterias que foram alteradas, pode resultar no rebentamento da bateria provocando incêndios, ferimentos pessoais e danos. Além disso, anulará da garantia da Makita no que se refere à ferramenta e ao carregador Makita.

Conselhos para manter a máxima vida útil da bateria

1. Carregue a bateria antes que esteja completamente descarregada. Pare sempre o funcionamento da ferramenta e carregue a bateria quando notar menos poder na ferramenta.
2. Nunca carregue uma bateria completamente carregada. Carregamento excessivo diminui a vida útil da bateria.
3. Carregue a bateria à temperatura ambiente de 10°C – 40°C. Deixe que uma bateria quente arrefeça antes de a carregar.
4. Carregue a bateria se não a utilizar durante um longo período de tempo (mais de seis meses).

DESCRIÇÃO FUNCIONAL

⚠️ PRECAUÇÃO:

- Certifique-se sempre de que a ferramenta está desligada e a bateria retirada antes de regular ou verificar qualquer função na ferramenta.

Instalar ou retirar a bateria (Fig. 1)

⚠️ PRECAUÇÃO:

- Desligue sempre a ferramenta antes de instalar ou retirar o cartucho da bateria.
- **Segure firmemente na ferramenta e no cartucho da bateria quando instalar ou retirar o cartucho da bateria.** Se não segurar firmemente na ferramenta e no cartucho da bateria pode dar origem a que escorreguem das suas mãos e daí resultar danos para a ferramenta e para o cartucho da bateria e ferimentos corporais.

Para retirar o cartucho da bateria, deslize-o da ferramenta enquanto desliza o botão na parte da frente do cartucho.

Para instalar o cartucho da bateria, alinhe a lingueta no cartucho da bateria com o entalhe na caixa e deslize-o para o lugar. Insira-o por completo até bloquear no lugar com um pequeno estalido. Se conseguir ver o indicador vermelho no lado superior do botão, não está bloqueado completamente.

⚠️ PRECAUÇÃO:

- Instale sempre o cartucho da bateria por completo até o indicador vermelho não ser visto. Se isso não acontecer, pode cair acidentalmente da ferramenta, causando-lhe ferimentos a si ou alguém perto de si.
- Não instale o cartucho da bateria fazendo força. Se o cartucho não deslizar facilmente, não está a ser inserido correctamente.

Sistema de protecção da bateria (bateria de ião de lítio com marcação de estrela) (Fig. 2)

As baterias de iões de lítio com uma marcação de estrela estão equipadas com um sistema de protecção. Este sistema corta automaticamente a corrente à ferramenta para aumentar a duração da bateria.

A ferramenta pára automaticamente durante a operação se a ferramenta e/ou a bateria estiverem sujeitas a uma das seguintes condições:

- Sobrecarga:

A ferramenta é operada de modo que a obriga a puxar uma corrente anormalmente elevada.

Nesta situação, solte o gatilho na ferramenta e pare a aplicação que provocou a sobrecarga da ferramenta. Em seguida, volte a apertar o gatilho para reiniciar.

Se a ferramenta não iniciar, a bateria sobreaqueceu. Nesta situação, deixe a bateria arrefecer antes de voltar a apertar o gatilho.

























- Tensão baixa da bateria:

A capacidade restante da bateria é demasiada baixa e a ferramenta não funcionará. Nesta situação, retire e recarregue a bateria.

Indicação a capacidade restante da bateria (Fig. 3)

Apenas para as baterias com o indicador

Prima o botão de verificação no cartucho da bateria para indicar a capacidade restante da bateria. As luzes indicadoras acendem durante alguns segundos.

Luzes indicadoras			Capacidade restante
 Acesa	 Apagada	 A piscar	
			75% a 100%
			50% a 75%
			25% a 50%
			0% a 25%
			Carregue a bateria.
			A bateria pode ter tido uma avaria.
			

015658

NOTA:

- Dependendo das condições de utilização e da temperatura ambiente, a indicação pode diferir ligeiramente da capacidade real.

Seleção da ação de corte (Fig. 4)

Esta ferramenta pode funcionar com uma ação de corte de linha orbital ou direita (para cima e para baixo). A ação de corte orbital empurra a lâmina para a frente na pancada de corte e aumenta grandemente a velocidade de corte. Para mudar a ação de corte, rode simplesmente a alavanca de mudança de ação de corte para a posição da ação de corte desejada. Refira-se à tabela abaixo para seleccionar a ação de corte.

Posição	Ação de corte	Aplicações
0	Ação de corte de linha direita	Para cortes em aço macio, aço inoxidável e plástico. Para cortes limpos em madeira e contraplacado.
I	Ação de corte de órbita pequena	Para cortar aço médio, alumínio e madeira dura.
II	Ação de corte de órbita média	Para cortar madeira e contraplacado. Para cortes rápidos em alumínio e aço mole.
III	Ação de corte de órbita larga	Para cortes rápidos em madeira e contraplacado.

006376

Acção do interruptor (Fig. 5 e 6)

⚠️ PRECAUÇÃO:

- Antes de colocar a bateria na ferramenta certifique-se de que o gatilho funciona correctamente e volta para a posição "OFF" (desligado) quando o solta.
- Quando não estiver a funcionar com a ferramenta, pressione o botão de segurança no lado A para prender o gatilho na posição OFF.

Para evitar que o gatilho seja acidentalmente accionado existe um botão de segurança.

Para iniciar a ferramenta, pressione o botão de segurança no lado A e carregue no gatilho.

A velocidade da ferramenta aumenta quando aumenta a pressão no gatilho. Liberte o gatilho para parar. Depois de utilizar a ferramenta, pressione sempre o botão de segurança no lado A.

Acender as lâmpadas

⚠️ PRECAUÇÃO:

- Não olhe para a luz ou veja a fonte de luz directamente.

Para ligar a lâmpada, carregue no gatilho. Liberte o gatilho para desligar.

NOTA:

- Utilize um pano seco para retirar a sujidade das lentes da lâmpada. Tenha cuidado para não riscar as lentes da lâmpada ou pode diminuir a iluminação.

ASSEMBLAGEM

⚠️ PRECAUÇÃO:

- Certifique-se sempre de que a ferramenta está desligada e a bateria retirada antes de executar qualquer manutenção na ferramenta.

Colocar ou retirar a lâmina da serra

⚠️ PRECAUÇÃO:

- Limpe sempre todas as partículas e matérias estranhas aderentes à lâmina e/ou suporte da lâmina. Se não o fizer pode originar insuficiente aperto da lâmina que pode causar um acidente.
- Não toque na lâmina ou na peça de trabalho imediatamente depois da operação; podem estar extremamente quentes e pode queimar-se.
- Aperte seguramente a lâmina da serra. Se não o fizer pode causar danos sérios.
- Quando retira a lâmina da serra, tenha cuidado para não aleijar os seus dedos na parte superior das lâminas ou nas pontas da peça de trabalho.

Para instalar a lâmina, abra o abridor da ferramenta para a posição indicada na figura. (Fig. 7)

Mantendo essa situação, coloque a lâmina da serra no suporte da lâmina até que as duas saliências na lâmina não se vejam. (Fig. 8)

Volte a colocar o abridor da ferramenta na posição original.

Depois de instalar a lâmina da serra, certifique-se sempre de que a lâmina está bem presa no seu lugar tentando puxá-la para fora.

⚠️ PRECAUÇÃO:

- Não abra excessivamente o abridor da ferramenta, ou pode estragar a ferramenta.

Para retirar a lâmina, abra o abridor da ferramenta para a posição indicada na figura. (Fig. 9) Puxe a lâmina da serra para fora na direcção da base.

NOTA:

- Lubrifique ocasionalmente o rolamento.

Armazenamento da chave hexagonal (Fig. 10)

Quando não a estiver a utilizar, armazene a chave hexagonal como indicado na figura para não a perder.

Placa de cobertura (Fig. 11)

Utilize a placa de cobertura quando corta embutidos decorativos, plásticos, etc. Protege de estragos as superfícies sensíveis ou delicadas. Coloque-a na parte traseira da base da ferramenta.

Mecanismo de anti-fragmentação (Fig. 12)

Para cortes sem fragmentação, pode utilizar o mecanismo de anti-fragmentação. Para instalar o mecanismo de anti-fragmentação, desloque a base da ferramenta completamente para a frente e coloque-a na base traseira da base da ferramenta. Quando utiliza a placa de cobertura, instale o mecanismo de anti-fragmentação na placa de cobertura.

⚠️ PRECAUÇÃO:

- Não pode utilizar o mecanismo de anti-fragmentação quando executa cortes de esquadria.

Extracção do pó

Recomenda-se a utilização do bocal de pó (acessório opcional) para executar operação de corte limpa. (Fig. 13)

Para prender o bocal de pó à ferramenta, coloque o gancho do bocal do pó no orifício na base.

O bocal do pó pode ser instalado tanto no lado esquerdo como no direito da base. (Fig. 14)

Em seguida ligue um aspirador de pó Makita ao bocal do pó. (Fig. 15)

OPERAÇÃO

⚠ PRECAUÇÃO:

- Mantenha sempre a base da ferramenta nivelada com a peça de trabalho. Se assim não for pode estragar a lâmina e causar uma acidente. (Fig. 16)

Ligue a ferramenta sem que a lâmina faça qualquer contacto e espere até que a lâmina atinja toda a velocidade. Em seguida assente a base da ferramenta na peça de trabalho e mova a ferramenta suavemente ao longo da linha de corte marcada anteriormente.

NOTA:

- Se funcionar continuamente com a ferramenta até que a bateria tenha ficado descarregada, deixe a ferramenta descansar durante 15 minutos antes de continuar com uma bateria nova.

Quando corta curvas, avance com a ferramenta muito devagar.

Cortes de esquadria (Fig. 17)

⚠ PRECAUÇÃO:

- Certifique-se sempre de que a ferramenta está desligada e a bateria retirada antes de inclinar a base.

Com a base da ferramenta inclinada, pode fazer cortes de bisel em qualquer ângulo entre 0° e 45° (esquerdo ou direito).

Liberte o perno na parte traseira da base com a chave hexagonal. Desloque a base de modo a que o perno esteja posicionado no centro da calha de bisel na base. (Fig. 18)

Incline a base até que obtenha o ângulo de bisel desejado. A ranhura em V da caixa do motor indica em graduações o ângulo de bisel. Em seguida aperte firmemente o perno para prender a base. (Fig. 19)

Corte de topo frontal

Certifique-se sempre de que a ferramenta está desligada e a bateria retirada antes de inclinar a base. Aperte o perno para prender a base da ferramenta. (Fig. 20)

Recortes

Os recortes podem ser feitos de duas maneiras, A ou B.

A) Fazendo um orifício inicial (Fig. 21):

Para recortes internos sem um corte de passagem na extremidade, perfure um orifício inicial com 12 mm ou mais de diâmetro. Coloque a lâmina neste orifício para iniciar o corte.

B) Corte penetrante (Fig. 22):

Não necessita de fazer um orifício de início ou um corte de passagem se fizer cuidadosamente o que se segue.

1. Incline a ferramenta para cima na extremidade frontal da base, com a ponta da lâmina colocada mesmo acima da superfície de trabalho.
2. Aplique pressão na ferramenta de modo a que a extremidade frontal da base não se mova quando liga a ferramenta e suavemente e devagar desça a extremidade traseira da ferramenta.
3. Quando a lâmina fura a peça de trabalho, desça devagar a base da ferramenta para a superfície da peça de trabalho.
4. Acabe o corte do modo normal.

Acabamento das extremidades (Fig. 23)

Para aparar as extremidades ou fazer ajustes de dimensões, passe ligeiramente com a lâmina ao longo das extremidades do corte.

Corte de metal

Utilize sempre um lubrificante adequado (óleo de corte) quando corta metal. Caso contrário, provocará desgaste da lâmina. A parte inferior poderá ser oleada em vez de utilizar lubrificante.

Conjunto de vedações para escarificação (acessório opcional)

⚠ PRECAUÇÃO:

- Certifique-se sempre de que a ferramenta está desligada e a bateria retirada antes de instalar ou retirar acessórios.

1. Cortes rectos (Fig. 24 e 25)

Quando corta repetidamente larguras de 160 mm ou menos, a utilização da vedação para escarificação assegurará um corte mais rápido, limpo e direito. Para a instalar, coloque a vedação para escarificação no orifício rectangular no lado da base ferramenta com a vedação guia voltada para baixo. Deslize a vedação para escarificação para a posição desejada de largura do corte e em seguida aperte o perno para a prender.

2. Cortes circulares (Fig. 26 e 27)

Quando corta círculos ou arcos com 170 mm ou menos de raio, coloque a vedação para escarificação como se segue.

- Coloque a vedação para escarificação no orifício rectangular no lado da base da ferramenta com a vedação guia voltada para cima. Introduza a haste para a guia circular num dos dois orifícios da vedação guia. Aparafuse o botão roscado na haste para a prender.
- Em seguida deslize a vedação para escarificação para o raio de corte desejado e em seguida aperte o perno para a prender. Movimente a base da ferramenta completamente para a frente.

NOTA:

- Utilize sempre lâminas n° B-17, B-18, B-26 ou B-27 quando corta círculos ou arcos.

Conjunto de adaptador de carril de guia (acessório) (Fig. 28)

Quando corta larguras paralelas e uniformes ou corta a direito, a utilização do carril de guia e do adaptador do carril de guia assegurará a produção de cortes mais rápidos e limpos.

Para instalar o adaptador do carril de guia, insira a barra régua no orifício quadrado da base o mais fundo possível. Prenda seguramente o perno com a chave hexagonal. (Fig. 29)

Instale o adaptador do carril de guia no carril do carril de guia. Insira a barra régua no orifício quadrado do adaptador do carril de guia. Coloque a base no lado do carril de guia e aperte o perno seguramente. (Fig. 30)

⚠ PRECAUÇÃO:

- Utilize sempre as lâminas n° B-8, B-13, B-16, B-17 ou 58 quando utiliza a carril guia e o adaptador da carril guia.

MANUTENÇÃO

⚠️ PRECAUÇÃO:

- Certifique-se sempre de que a ferramenta está desligada e a bateria retirada antes de tentar executar qualquer inspeção ou manutenção.
- Nunca utilize gasolina, benzina, diluente, álcool ou produtos semelhantes. Pode ocorrer a descoloração, deformação ou rachaduras.

Substituição das escovas de carvão (Fig. 31 e 32)

Retire e inspecione as escovas de carvão regularmente. Substitua-as quando estiverem gastas até à marca limite. Mantenha as escovas de carvão limpas e a deslizarem livremente nos suportes. As duas escovas de carvão devem ser substituídas ao mesmo tempo. Utilize só escovas de carvão idênticas.

Utilize uma chave de parafusos para retirar as tampas do porta escovas. Tire as escovas gastas, coloque as novas e prenda as tampas do porta escovas.

Para manter a SEGURANÇA e FIABILIDADE, as reparações e outras acções de manutenção ou ajustes devem ser executados pelos Centros de assistência autorizados da Makita, utilizando sempre peças de substituição Makita.

ACESSÓRIOS OPCIONAIS

⚠️ PRECAUÇÃO:

- Estes acessórios ou peças são recomendados para utilização com a ferramenta Makita especificada neste manual. A utilização de outros acessórios ou peças pode ser perigosa para as pessoas. Utilize apenas acessórios ou peças para os fins indicados.

Se precisar de ajuda para obter mais informações relativos a estes acessórios, entre em contacto com o centro de assistência Makita local.

- Lâminas da serra de vaivém
- Chave hexagonal 4
- Conjunto de vedações para escarificação (Conjunto de guia paralela)
- Conjunto de adaptador de carril de guia
- Conjunto de carril de guia
- Mecanismo de anti-fragmentação
- Placa de cobertura
- Bocal do pó
- Bateria e carregador genuínos da Makita

NOTA:

- Alguns itens da lista podem estar incluídos na embalagem da ferramenta como acessórios padrão. Eles podem variar de país para país.

ENG905-1

Ruído

A característica do nível de ruído A determinado de acordo com EN62841-2-11:

Nível de pressão de som (L_{pA}): 84 dB (A)

Nível do som (L_{WA}): 95 dB (A)

Variabilidade (K): 3 dB (A)

ENG907-1

NOTA:

- O(s) valor(es) da emissão de ruído indicado(s) foi medido de acordo com um método de teste padrão e pode ser utilizado para comparar duas ferramentas.

- O(s) valor(es) da emissão de ruído indicado(s) pode também ser utilizado na avaliação preliminar da exposição.

⚠️ AVISO:

- **Utilize protetores auriculares.**
- **A emissão de ruído durante a utilização real da ferramenta elétrica pode diferir do(s) valor(es) indicado(s), dependendo das formas como a ferramenta é utilizada, especialmente o tipo de peça de trabalho que é processada.**
- **Certifique-se de identificar as medidas de segurança para proteção do operador que sejam baseadas em uma estimativa de exposição em condições reais de utilização (considerando todas as partes do ciclo de operação, tal como quando a ferramenta está desligada e quando está a funcionar em marcha lenta além do tempo de acionamento).**

ENG900-1

Vibração

Valor total da vibração (soma vectorial tri-axial) determinado de acordo com EN62841-2-11:

Modo de funcionamento: cortar tábuas

Emissão de vibração ($a_{h, g}$): 7,0 m/s²

Variabilidade (K): 1,5 m/s²

Modo de funcionamento: cortar chapa de metal

Emissão de vibração ($a_{h, M}$): 3,5 m/s²

Variabilidade (K): 1,5 m/s²

ENG901-2

NOTA:

- O(s) valor(es) total(ais) de vibração indicado(s) foi medido de acordo com um método de teste padrão e pode ser utilizado para comparar duas ferramentas.
- O(s) valor(es) total(ais) de vibração indicado(s) pode também ser utilizado na avaliação preliminar da exposição.

⚠️ AVISO:

- **A emissão de vibração durante a utilização real da ferramenta elétrica pode diferir do(s) valor(es) indicado(s), dependendo das formas como a ferramenta é utilizada, especialmente o tipo de peça de trabalho que é processada.**
- **Certifique-se de identificar as medidas de segurança para proteção do operador que sejam baseadas em uma estimativa de exposição em condições reais de utilização (considerando todas as partes do ciclo de operação, tal como quando a ferramenta está desligada e quando está a funcionar em marcha lenta além do tempo de acionamento).**

DECLARAÇÃO DE CONFORMIDADE CE

Apenas para países europeus

A declaração de conformidade da CE está incluída no Anexo A deste manual de instruções.

Illustrationsoversigt

1 Rød indikator	14 Sål	27 Parallellanslag
2 Knap	15 Unbrakonøgle	28 Anlægsskinne
3 Akku	16 Fodplade	29 Kuglegreb
4 Stjernemærke	17 Antisplint-anordning	30 Centrérspids
5 Indikatorlamper	18 Støvsuds	31 Målestang
6 Kontrolknap	19 Slange til støvsuger	32 Føringsanslagssæt
7 Savemådevælger	20 Snitlinie	33 Føringssskinne
8 Låseknap	21 Bolt	34 Skrue
9 Afbryderknap	22 Skråsnitsrille	35 Slidmarkeringen
10 Værktøjsåbner	23 Geringsmål	36 Kulholderdæksel
11 Klingeholder	24 V-rille	37 Skruetrækker
12 Stiksavklinge	25 Gearhus	
13 Fremspring	26 Starthul	

SPECIFIKATIONER

Model		DJV180
Slaglængde		26 mm
Maksimal snitkapacitet	Træ	135 mm
	Smedestål	10 mm
	Aluminium	20 mm
Slag per minut (min ⁻¹)		0 – 2 600
Længde		257 mm
Vægt		2,7 – 3,0 kg
Spænding		DC 18 V

- På grund af vores kontinuerlige forskningsprogrammer og udvikling, kan hosstående specifikationer blive ændret uden varsel.
- Specifikationer kan variere fra land til land.
- Vægten kan variere afhængigt af tilbehøret, inklusive akkuen. Den letteste og tungeste kombination, i henhold til EPTA-Procedure 01/2014, er vist i tabellen.

Anvendelig akku og oplader

Akku	BL1815N / BL1820 / BL1820B / BL1830 / BL1830B / BL1840 / BL1840B / BL1850 / BL1850B / BL1860B
Oplader	DC18RC / DC18RD / DC18RE / DC18SD / DC18SE / DC18SF

- Nogle af ovenstående akkuer og opladere er muligvis ikke tilgængelige, afhængigt af hvilket område du bor i.

⚠ ADVARSEL: Du må kun anvende ovenstående akkuer og opladere. Brug af andre akkuer og opladere kan medføre personskaade og/eller brand.

ENE019-1

GEA010-2

Tilsigtet anvendelse

Denne maskine er beregnet til savning i træ, plast- og metalmaterialer. Takket være det omfattende udvalg i tilbehør og savklinger, kan maskinen anvendes til mange formål og er velegnet til at save buer og cirkler.

Almindelige sikkerhedsregler for el-værktøj

⚠ ADVARSEL! Læs alle de sikkerhedsadvarsler, instruktioner, illustrationer og specifikationer, der følger med denne maskine. Forsømmelse af at overholde alle nedenstående instruktioner kan medføre elektrisk stød, brand og/eller alvorlig personskaade.

Gem alle advarsler og instruktioner til fremtidig reference.

Ordet "el-værktøj" i advarslerne henviser til det netforsynede (netledning) el-værktøj eller batteriforsynede (akku) el-værktøj.

SIKKERHEDSADVARSLER FOR AKKU STIKSAV

- Hold maskinen i de isolerede håndtagsflader, når der udføres et arbejde, hvor det skærende tilbehør kan komme i kontakt med skjulte ledninger. Skærende tilbehør, som kommer i kontakt med en strømførende ledning, kan bevirke, at udsatte metaldele på maskinen bliver strømførende, hvorved operatøren kan få elektrisk stød.
- Anvend spændestykker eller en anden praktisk måde til at fastspænde og støtte arbejdsemnet til en stabil flade. Hvis arbejdsemnet holdes med hånden eller støttes mod kroppen, vil det være ustabil, hvilket kan medføre, at De mister kontrollen over det.
- Anvend altid sikkerhedsbriller eller beskyttelsesbriller. Almindelige briller eller solbriller er IKKE sikkerhedsbriller.
- Undgå at save i søm. Tjek arbejdsemnet for søm, og fjern dem, før arbejdet påbegyndes.
- Sav ikke i for store arbejdsemner.
- Tjek for tilstrækkelig frigang under arbejdsemnet, før der saves, så klingens rammer gulvet, arbejdsbænken eller lignende.
- Hold godt fast i maskinen.
- Sørg for, at klingens ikke er i kontakt med arbejdsemnet, før der trykkes på afbryderen.
- Hold hænderne væk fra bevægelige dele.
- Lad ikke maskinen køre. Anvend kun maskinen, når den holdes i hænderne.
- Sluk altid, og vent, indtil klingens står helt stille, før klingens fjernes fra arbejdsemnet.
- Rør ikke ved klingens eller arbejdsemnet umiddelbart efter anvendelse. De kan begge være meget varme og forårsage forbrænding af huden.
- Anvend ikke maskinen unødigt uden belastning.
- Nogle materialer indeholder kemikalier, der kan være giftige. Sørg for at undgå at indånde støv samt kontakt med huden. Overhold materialeleverandørens sikkerhedsdata.
- Anvend altid korrekt støvmaske/åndedrætsværn i henhold til det materiale og den anvendelse, De arbejder med.

GEM DISSE FORSKRIFTER.

ADVARSEL:

LAD IKKE bekvemmelighed eller kendskab til produktet (opnået gennem gentagen brug) forhindre, at sikkerhedsforskrifterne for produktet nøje overholdes. MISBRUG eller forsømmelse af at følge de i denne brugsvejledning givne sikkerhedsforskrifter kan medføre alvorlig personskade.

ENC007-12

VIGTIGE SIKKERHEDSINSTRUKTIONER FOR AKKUEN

- Læs alle instruktioner og advarselmærkater på (1) akku-opladeren, (2) akkuen og (3) produktet, som anvender akku.
- Lad være med at skille akkuen ad.
- Hold straks op med anvendelsen, hvis brugstiden er blevet stærkt afkortet. Fortsat anvendelse kan resultere i risiko for overophedning, forbrændinger og endog eksplosion.

- Hvis De har fået elektrolytvæske i øjnene, skal De straks skylle den ud med rent vand og derefter øjeblikkeligt søge lægehjælp. I modsat fald kan De miste synet.
- Vær påpasselig med ikke at komme til at kortslutte akkuen:
 - Rør ikke ved terminalerne med noget ledende materiale.
 - Undgå at opbevare akkuen i en beholder sammen med andre genstande af metal, for eksempel søm, mønter og lignende.
 - Udsæt ikke akkuen for vand eller regn.

Kortslutning af akkuen kan forårsage en kraftig øgning af strømmen, overophedning, mulige forbrændinger og endog værktøjstøp.

- Opbevar ikke værktøjet og akkuen på et sted, hvor temperaturen kan nå eller overstige 50°C.
- Lad være med at brænde akkuen, selv ikke i tilfælde, hvor den har lidt alvorlig skade eller er fuldstændig udtjent. Akkuen kan eksplodere, hvis man forsøger at brænde den.
- Lad være med at brænde akkuen eller udsætte den for stød.
- Anvend ikke en beskadiget akku.
- De indbyggede litium-ion-batterier er underlagt lovkrav vedrørende farligt gods. Ved kommerciel transport, f.eks. af tredjeparts transportselskaber, skal særlige krav til forpakning og mærkning overholdes. Ved forberedelse af udstyret til forsendelse skal du kontakte en ekspert i farligt gods. Overhold også eventuel mere detaljeret national lovgivning. Tape eller tildæk åbne kontakter, og pak batteriet på en måde, så det ikke kan flytte sig rundt i pakningen.
- Følg de lokale love vedrørende bortskaffelsen af batterier.
- Brug kun batterierne med de produkter, som Makita specificerer. Hvis batterierne installeres i ikke-kompatible produkter, kan det medføre brand, kraftig varme, eksplosion eller udsivning af elektrolyt.

GEM DENNE BRUGSANVISNING.

FORSIGTIG:

Brug kun originale batterier fra Makita. Brug af uoriginale Makita-batterier, eller batterier som er blevet ændret, kan muligvis medføre brud på batteriet, hvilket kan forårsage brand, personskade eller beskadigelse. Det ugyldiggør også Makita-garantien for Makita-maskinen og opladeren.

Tips til opnåelse af maksimal akku-levetid

- Oplad akkuen, inden den er helt afladet. Stop altid værktøjet, og oplad akkuen, hvis De bemærker, at værktøjeffekten er aftagende.
- Genoplad aldrig en fuldt opladet akku. Overopladning vil afkorte akkuens levetid.
- Oplad akkuen ved stuetemperatur ved 10°C – 40°C. Lad altid en varm akku få tid til at køle af, inden den oplades.
- Oplad akkuen, hvis De ikke skal bruge den i længere tid (mere end seks måneder).

FUNKTIONSBESKRIVELSE

⚠ FORSIGTIG:

- Sørg altid for at maskinen er slukket, og at akkuen er taget ud, før der udføres justering eller kontrol af funktioner på maskinen.

Isætning og udtagning af akku (Fig. 1)

⚠ FORSIGTIG:

- Sluk altid for værktøjet, inden De installerer eller fjerner akkuen.
- Hold godt fast i værktøjet og akkuen, når akkuen installeres eller fjernes.** Forsømmelse af at holde maskinen og akkuen fast kan bevirke, at de glider af hænde med beskadigelse af maskinen og akkuen og tilskadekomst til følge.

For at fjerne akkuen, skal man skyde den fra værktøjet, idet man skyder knappen på forsiden af akkuen i stilling. For at installere akkuen, skal man sætte tungen på akkuen ud for rillen i huset og skyde den på plads. Sæt den hele vejen ind, så den låses på plads med et lille klik. Hvis den røde indikator på oversiden af knappen er synlig, betyder det, at den ikke er helt låst.

⚠ FORSIGTIG:

- Sæt altid akkuen helt ind, så den røde indikator ikke kan ses. Hvis den ikke er sat helt ind, kan den ved et uheld falde ud af værktøjet, hvorved omkringstående eller De selv kan komme til skade.
- Sæt ikke akkuen i med magt. Hvis akkuen ikke glider nemt på plads, betyder det, at den ikke sættes korrekt i.

Akku-beskyttelsessystem (lithium-ion akku med stjernemærke) (Fig. 2)

Lithium-ion akkuer med stjernemærke er udstyret med et beskyttelsessystem. Dette system afbryder automatisk strømmen til maskinen, så akkuens levetid forlænges.

Maskinen vil automatisk stoppe under anvendelsen, hvis maskinen og/eller akkuen er i en af de følgende tilstande:

- Overbelastet:

Maskinen køres på en måde, der bevirker, at den forbruger en unormalt høj strøm.

I denne situation skal De slippe afbryderknappen på maskinen og stoppe den anvendelse, der førte til overophedning af maskinen. Tryk derefter afbryderknappen ind igen for at starte igen.

Hvis maskinen ikke starter, er det fordi akkuen er overbelastet. I denne situation skal De lade akkuen køle af, inden De trykker afbryderknappen ind igen.

- Lav akku-spænding:

Den tilbageværende akku-kapacitet er for lav og maskinen vil ikke køre. Fjern i dette tilfælde akkuen og oplad den.

Angivelse den tilbageværende akku-kapacitet (Fig. 3)

Kun for akkuer med indikatoren

Tryk på kontrolknappen på akkuen for at angive den tilbageværende akku-kapacitet. Indikatorlamperne lyser i et par sekunder.

Indikatorlamper			Tilbageværende kapacitet
Tændt	Slukket	Blinker	
■	□	◐	75% til 100%
■	■	□	50% til 75%
■	■	□	25% til 50%
■	□	□	0% til 25%
◐	□	□	Oplad akkuen.
■	■	□	Akkuen kan have fungeret forkert.

015658

BEMÆRK:

- Afhængigt af brugsforholdene og den omgivende temperatur, kan indikeringen afvige en smule i forhold til den faktiske kapacitet.

Valg af savemåde (Fig. 4)

Denne maskine kan save med penduludsving eller en lineær bevægelse (op og ned). Savemåden med penduludsving støder klingen fremad samtidig med slaget og forøger savehastigheden betydeligt.

For at skifte savemåde drejes savemådevælgeren blot hen på positionen for den ønskede savemåde. Se tabellen herunder for at vælge den ønskede savemåde.

Position	Klingebevægelse	Anvendelse
0	Lineær	Savning i alm. stål, rustfrit stål og plastic. Rent snit i træ og krydsfiner.
I	Med lille penduludsving	Savning i alm. stål, aluminium og hårdt træ.
II	Med medium penduludsving	Savning i træ og krydsfiner. Hurtigsavning i aluminium og alm. stål.
III	Med kraftigt penduludsving	Hurtigsavning i træ og krydsfiner.

006376

Afbryderkontakt (Fig. 5 og 6)

⚠ FORSIGTIG:

- Før akkuen sættes i maskinen, bør det altid kontrolleres, at afbryderknappen fungerer korrekt og returnerer til "OFF" positionen, når den slippes.
- Når maskinen ikke anvendes, skal låseknappen trykkes ned fra A-siden for at låse afbryderknappen i OFF-positionen.

Maskinen er udstyret med en låseknop, som forhindrer utilsigtet indtrykning af afbryderkontakten.

For at starte maskinen, trykkes låseknappen ned fra B-siden, og afbryderknappen trykkes ind.

Maskinens hastighed øges ved at man øger trykket på afbryderkontakten. Slip afbryderknappen for at stoppe. Efter brugen skal låseknappen altid trykkes ind fra A-siden.

Belysningslamper

⚠ FORSIGTIG:

- Se ikke direkte på lyskilden.

Lampen tændes ved at man trykker på afbryderen. Slip afbryderen for at slukke.

BEMÆRK:

- Anvend en tør klud til at tørre smuds af lampens linse. Undgå at ridse lampens linse, da det vil gøre belysningen svagere.

SAMLING

⚠ FORSIGTIG:

- Sørg altid for at maskinen er slukket, og at akkuen er taget ud, før der udføres noget arbejde på maskinen.

Montering og afmontering af savklinge

⚠ FORSIGTIG:

- Sørg for altid at fjerne spåner eller andre fremmedlegemer, der måtte klæbe til klingens og/eller klingeholderen. Forsømmelse af dette kan resultere i utilstrækkelig tilspænding af klingens, hvilket kan medføre alvorlig tilskadekomst.
- Rør ikke ved klingens eller emnets umiddelbart efter anvendelse. De kan begge være meget varme og forårsage hudforbrænding ved berøring.
- Stram klingens sikkert til. Forsømmelse af dette kan lede til alvorlig tilskadekomst.
- Når De fjerner savklingen, skal De være forsigtig, så De ikke skærer fingrene på toppen af klingens eller på spåner fra emnet.

For at montere klingens, skal De åbne værktøjsåbneren til den position, der er vist på illustrationen. (Fig. 7)

Mens denne tilstand opretholdes, sættes klingens så langt ind i klingeholderen, at de to fremspring ikke kan ses. (Fig. 8)

Sæt værktøjsåbneren tilbage i dens oprindelige stilling. Efter monteringen af savklingen skal det altid kontrolleres, at savklingen sidder sikkert fast, hvilket gøres ved, at man forsøger at trække klingens ud.

⚠ FORSIGTIG:

- Åbn ikke værktøjsholderen for meget, da det kan medføre beskadigelse af maskinen.

For at fjerne klingens, skal De åbne værktøjsåbneren til den position, der er vist på illustrationen. (Fig. 9) Træk klingens ud mod sålen.

BEMÆRK:

- Smør styrevalsen med mellemrum.

Opbevaring af unbrakonøglen (Fig. 10)

Når unbrakonøglen ikke anvendes, skal den opbevares som vist på illustrationen, så den ikke bortkommer.

Fodplade (Fig. 11)

Anvend fodpladen, når der saves finere, plastmaterialer og lignende. Fodpladen beskytter sarte og modtagelige overflader mod ridser og skrammer. Anbring fodpladen på maskinens sål nedenfra.

Antisplint-anordning (Fig. 12)

For at opnå savninger uden flossede kanter kan antisplint-anordningen anvendes. For at montere antisplint-anordningen flyttes maskinens sål helt fremad, hvorefter anordningen sættes på sålen nedenfra. Når De anvender fodpladen, skal antisplint-anordningen monteres oven på fodpladen.

⚠ FORSIGTIG:

- Antiflosse-anordning kan ikke anvendes ved geringsnit.

Støvaf sugning

Det anbefales at bruge støvstudsens (ekstraudstyr) for at undgå støvforurening under savning. (Fig. 13)

Monter støvstudsens på maskinen ved at sætte kroge på studsens ind i hullet i sålen.

Støvstudsens kan monteres på enten venstre eller højre side af sålen. (Fig. 14)

Tilslut derefter en Makita støvsuger til støvstudsens. (Fig. 15)

BETJENING

⚠ FORSIGTIG:

- Hold altid maskinens sål plant med emnet. Hvis sålen ikke ligger plant med emnet, er der stor risiko for at klingens brækker, hvilket kan medføre alvorlig tilskadekomst. (Fig. 16)

Tænd for maskinen, uden at klingens kommer i kontakt, og vent indtil klingens er kommet op på fuld hastighed. Lad derefter sålen hvile plant mod emnet og før maskinen forsigtigt fremad langs den opmærkede snitlinie.

BEMÆRK:

- Hvis maskinen anvendes uafbrudt, indtil akkuen er afladet, skal maskinen have lov til at hvile i 15 minutter, inden arbejdet fortsættes med en ny akku.

Flyt maskinen meget langsomt, når der saves buer.

Geringssnit (Fig. 17)

⚠ FORSIGTIG:

- Sørg altid for, at der er slukket for maskinen, og at akkuen er fjernet, inden sålen kippes.

Med maskinens sål kippet på skrå, kan man lave skråsnit i enhver vinkel mellem 0° og 45° (venstre eller højre).

Løsn boltens på undersiden af sålen med unbrakonøglen. Flyt sålen, så boltens bliver placeret i centrum af den krydsformede skråsnitsrille i sålen. (Fig. 18)

Kip maskinens sål, indtil den ønskede geringsvinkel er opnået. V-rillen på gearhuset angiver geringsvinklen. Stram derefter boltens fast til for at holde sålen på plads. (Fig. 19)

Skæring mod kant

Løsn boltens på bagsiden af sålen med unbrakonøglen og skyd sålen hele vejen tilbage. Stram derefter boltens til for at fastgøre maskinens sål. (Fig. 20)

Udskæringer

Udskæringer kan laves ved hjælp af metode A eller B.

A) Boring af et starthul (Fig. 21):

Ved indvendige udskæringer, uden et indførende savspor fra en kant, startes med at der bores et starthul med en diameter på 12 mm eller mere. Før savklingen ned i dette hul for at starte savningen.

B) Dyksnit (Fig. 22):

Det er ikke nødvendigt at bore et starthul, eller lave et indførende savspor fra en kant, hvis følgende udføres omhyggeligt:

1. Vip maskinen op, så den hviler på forkanten af sålen, med klingspidsen placeret lige over emnets overflade.
2. Læg tryk på maskinen, så forkanten af sålen ikke forskubber sig, når maskinen tændes, og sænk så forsigtigt den bagerste del af maskinen.
3. I takt med at klingens trænger igennem emnet, sænkes maskinens sål langsomt ned på emnets overflade.
4. Fuldfør derefter savningen på normal vis.

Afglatning af kanter (Fig. 23)

For at trimme kanter eller foretage dimensionelle justeringer køres klingens let hen langs kanten ad savsporet.

Savning af metal

Anvend altid et passende kølemiddel (skæreolie), når der saves metal. Anvendes der ikke et kølemiddel, medfører det unødvendigt slid på savklingen. I stedet for at anvende et kølemiddel kan undersiden af emnet smøres.

Parallelanslagssæt (ekstraudstyr)

⚠ FORSIGTIG:

- Sørg altid for, at der er slukket for maskinen, og at akkuen er fjernet, inden tilbehørsdele monteres eller afmonteres.

1. Lige snit (Fig. 24 og 25)

Når der gentagne gange skal saves bredder på 160 mm eller mindre, vil anvendelse af parallelanslag sikre en hurtig, ren og lige savning. Installer parallelanslaget ved at sætte det ind i det rektangulære hul på siden af sålen, med anlægsskinnen nedad. Skyd parallelanslaget til den ønskede skærevideposition, og stram dernæst boltens til for at holde det på plads.

2. Cirkelsnit (Fig. 26 og 27)

Når der saves cirkler eller buer med en radius på 170 mm eller mindre, installeres parallelanslaget som følger:

- Sæt parallelanslaget ind i det rektangulære hul på siden af sålen, med anlægsskinnen opad. Før centrérspidsen ind gennem et af de to huller i anlægsskinnen. Fastgør centrérspidsen ved at skru kuglegrebet på den.
- Skyd nu parallelanslaget til den ønskede savradius, og stram boltens for at holde anslaget på plads. Flyt derefter maskinens sål hele vejen frem.

BEMÆRK:

- Anvend altid klingerne Nr. B-17, B-18, B-26 eller B-27, når der saves cirkler eller buer.

Føringssanslagssæt (tilbehør) (Fig. 28)

Når der skal laves parallel savninger med ens bredde, eller saves lige, vil anvendelse af føringsskinnen og føringssanslaget sikre udførelse af hurtige og lige savninger.

For at montere føringssanslaget føres målestangen så langt ind i det firkantede hul på sålen, som den vil gå. Fastgør boltens forsvarligt med unbrakonøglen. (Fig. 29)

Monter føringssanslaget på føringsskinnens skinne. Før målestangen ind i det firkantede hul på føringssanslaget. Anbring sålen mod siden på føringsskinnen, og stram boltens forsvarligt til. (Fig. 30)

⚠ FORSIGTIG:

- Anvend aldrig klinger Nr. B-8, B-13, B-16, B-17 eller 58, når føringsskinnen og føringssanslaget benyttes.

VEDLIGEHOLDELSE

⚠ FORSIGTIG:

- Sørg altid for at maskinen er slukket, og at akkuen er taget ud, før der udføres eftersyn eller vedligeholdelse på maskinen.
- Anvend aldrig benzin, rensebenzin, fortynder, alkohol og lignende. Resultatet kan blive misfarvning, deformation eller revner.

Udskiftning af kul (Fig. 31 og 32)

Udtag og efterse kullene med regelmæssige mellemrum. Udskift kullene, når de er slidt ned til slidmarkeringen. Hold kullene rene og i stand til frit at glide ind i holderne. Begge kul skal udskiftes parvist samtidigt. Anvend kun identiske kulbørster.

Beryt en skruetrækker til at afmontere kulholderdækslerne. Tag de slidte kul ud, isæt de nye og fastgør derefter kulholderdækslerne.

For at opretholde produktets SIKKERHED og PÅLIDELIGHED bør reparation, vedligeholdelse og justering kun udføres af et Makita Service Center med anvendelse af original Makita udskiftningsdele.

ENG900-1

EKSTRAUDSTYR

⚠️ FORSIGTIG:

- Det følgende tilbehør og ekstraudstyr er anbefalet til brug med Deres Makita maskine, der er beskrevet i denne brugsanvisning. Anvendelse af andet tilbehør eller ekstraudstyr kan udgøre en risiko for personskade. Anvend kun tilbehør og ekstraudstyr til det beskrevne formål.

Hvis De har behov for yderligere detaljer om dette tilbehør, bedes De kontakte Deres lokale Makita Service Center.

- Stiksavklinger
- Unbrakonøgle 4
- Parallellanslagssæt (Føringslinealsæt)
- Føringsanslagssæt
- Føringsskinnesæt
- Antisplint-anordning
- Fodplade
- Støvsuds
- Original Makita-akku og oplader

BEMÆRK:

- Nogle ting på denne liste kan være inkluderet i værktøjspakken som standardtilbehør. Det kan være forskellige fra land til land.

ENG905-1

Lyd

Det typiske A-vægtede støjniveau bestemt i overensstemmelse med EN62841-2-11:

- Lydtryksniveau (L_{pA}): 84 dB (A)
- Lydeffektniveau (L_{WA}): 95 dB (A)
- Usikkerhed (K): 3 dB (A)

ENG907-1

BEMÆRK:

- De(n) angivne støjemissionsværdi(er) er målt i overensstemmelse med en standardtestmetode og kan anvendes til at sammenligne en maskine med en anden.
- De(n) angivne støjemissionsværdi(er) kan også anvendes i en præliminær eksponeringsvurdering.

⚠️ ADVARSEL:

- **Bær høreværn.**
- **Støjemissionen under den faktiske anvendelse af maskinen kan være forskellig fra de(n) angivne værdi(er), afhængigt af den måde hvorpå maskinen anvendes, især den type arbejdsemne der behandles.**
- **Sørg for at identificere de sikkerhedsforskrifter til beskyttelse af operatøren, som er baseret på en vurdering af eksponering under de faktiske brugsforhold (med hensyntagen til alle dele i brugscyklussen, f.eks. de gange, hvor maskinen er slukket, og når den kører i tomgang i tilgift til afbrydertiden).**

Vibration

Vibrations totalværdi (tre-aksial vektorsum) bestemt i overensstemmelse med EN62841-2-11:

- Arbejdsindstilling: savning af plader
- Vibrationsafgivelse ($a_{h, B}$): 7,0 m/s²
- Usikkerhed (K): 1,5 m/s²

- Arbejdsindstilling: skæring af pladestål
- Vibrationsafgivelse ($a_{h, M}$): 3,5 m/s²
- Usikkerhed (K): 1,5 m/s²

ENG901-2

BEMÆRK:

- De(n) angivne totalværdi(er) for vibration er målt i overensstemmelse med en standardtestmetode og kan anvendes til at sammenligne en maskine med en anden.
- De(n) angivne totalværdi(er) for vibration kan også anvendes i en præliminær eksponeringsvurdering.

⚠️ ADVARSEL:

- **Vibrationsemissionen under den faktiske anvendelse af maskinen kan være forskellig fra de(n) angivne værdi(er), afhængigt af den måde hvorpå maskinen anvendes, især den type arbejdsemne der behandles.**
- **Sørg for at identificere de sikkerhedsforskrifter til beskyttelse af operatøren, som er baseret på en vurdering af eksponering under de faktiske brugsforhold (med hensyntagen til alle dele i brugscyklussen, f.eks. de gange, hvor maskinen er slukket, og når den kører i tomgang i tilgift til afbrydertiden).**

EF-KONFORMITETSERKLÆRING

Kun for lande i Europa

EF-konformitetserklæringen er inkluderet som Tillæg A til denne instruktionsvejledning.

Περιγραφή γενικής άποψης

1 Κόκκινη ένδειξη	13 Προεσοχές	25 Περιβλήμα μηχανισμού
2 Κουμπί	14 Βάση	26 Τρύπα ξεκινήματος
3 Κασέτα μπαταρίας	15 Εξαγωνικό κλειδί	27 Προστατευτικό σχισμάτος
4 Ένδειξη αστεριού	16 Πλάκα καλύμματος	28 Προστατευτικός οδηγός
5 Ενδεικτικές λυχνίες	17 Συσκευή αποφυγής σκληθρών	29 Κουμπί με σπείρωμα
6 Κουμπί ελέγχου	18 Ακροφύσιο σκόνης	30 Πείρος κυκλικής οδήγησης
7 Λεβιές αλλαγής τρόπου κοπής	19 Σωλήνας για σκούπα απορρόφησης	31 Χάρακας
8 Κουμπί ασφάλισης	20 Γραμμή κοπής	32 Προσαρμοστής οδηγού σιδηροτροχιάς
9 Διακόπτης σκανδάλης	21 Μπουλόνι	33 Οδηγός σιδηροτροχιάς
10 Τμήμα ανοίγματος εργαλείου	22 Λοξή σχισμή	34 Βίδα
11 Σφιγκτήρας λάμας	23 Διαβαθμίσεις	35 Σημάδι ορίου
12 Λάμα παλινδρομικού πριονιού	24 Εγκοπτή	36 Καπάκι θήκης ψήκτρας
		37 Κατσαβίδι

ΤΕΧΝΙΚΑ ΧΑΡΑΚΤΗΡΙΣΤΙΚΑ

Μοντέλο		DJV180
Μήκος διαδρομής		26 χιλ.
Μεγ. ικανότητα κοπής	Ξύλο	135 χιλ.
	Μαλακό ασάλι	10 χιλ.
	Αλουμίνιο	20 χιλ.
Διαδρομές ανά λεπτό (λεπ ⁻¹)		0 – 2.600
Ολικό μήκος		257 χιλ.
Καθαρό βάρος		2,7 – 3,0 Χγρ
Καθορισμένο βολτάζ		D.C. 18 V

- Λόγω του συνεχιζόμενου προγράμματος έρευνας και ανάπτυξης, οι παρούσες προδιαγραφές υπόκεινται σε αλλαγή χωρίς προειδοποίηση.
- Τα τεχνικά χαρακτηριστικά δύνανται να διαφέρουν από χώρα σε χώρα.
- Το βάρος μπορεί να διαφέρει ανάλογα με το(α) εξάρτημα(τα), συμπεριλαμβανομένης της κασέτας μπαταριών. Ο ελαφρύτερος και βαρύτερος συνδυασμός, σύμφωνα με τη διαδικασία ΕΡΤΑ 01/2014, παρουσιάζονται στον πίνακα.

Ισχύουσα κασέτα μπαταρίας και φορτιστής

Κασέτα μπαταρίας	BL1815N / BL1820 / BL1820B / BL1830 / BL1830B / BL1840 / BL1840B / BL1850 / BL1850B / BL1860B
Φορτιστής	DC18RC / DC18RD / DC18RE / DC18SD / DC18SE / DC18SF

- Μερικές από τις κασέτες μπαταρίας και φορτιστές που παρατίθενται ανωτέρω μπορεί να μην διατίθενται ανάλογα με την περιοχή κατοικίας σας.

⚠️ ΠΡΟΕΙΔΟΠΟΙΗΣΗ: Να χρησιμοποιείτε μόνο τις κασέτες μπαταρίας και φορτιστές που παρατίθενται ανωτέρω. Η χρήση οποιωνδήποτε άλλων κασετών μπαταρίας και φορτιστών μπορεί να προκαλέσει τραυματισμό ή/και πυρκαγιά.

ENE010-1

GEA010-2

Προοριζόμενη χρήση

Το εργαλείο προορίζεται για πριόνισμα ξύλου, πλαστικών και μεταλλικών υλικών. Ως αποτέλεσμα του εκτεταμένου προγράμματος εξαρτημάτων και λαμιν πριονισμού, το εργαλείο μπορεί να χρησιμοποιηθεί για πολλούς σκοπούς και είναι πολύ κατάλληλο για καμπύλες ή κυκλικές κοπές.

Γενικές προειδοποιήσεις ασφαλείας για το ηλεκτρικό εργαλείο

⚠️ ΠΡΟΕΙΔΟΠΟΙΗΣΗ Διαβάστε όλες τις προειδοποιήσεις ασφαλείας, οδηγίες, εικονογραφίες και προδιαγραφές που παρέχονται με αυτό το ηλεκτρικό εργαλείο. Η μη τήρηση όλων των οδηγιών που αναγράφονται κατωτέρω μπορεί να καταλήξει σε ηλεκτροπληξία, πυρκαγιά ή/και σοβαρό τραυματισμό.

Φυλάξτε όλες τις προειδοποιήσεις και τις οδηγίες για μελλοντική παραπομπή.

Στις προειδοποιήσεις, ο όρος “ηλεκτρικό εργαλείο” αναφέρεται σε ηλεκτρικό εργαλείο που τροφοδοτείται από την κύρια παροχή ηλεκτρικού ρεύματος (με ηλεκτρικό καλώδιο) ή σε ηλεκτρικό εργαλείο που τροφοδοτείται από μπαταρία (χωρίς ηλεκτρικό καλώδιο).

GEB187-1

ΠΡΟΕΙΔΟΠΟΙΗΣΕΙΣ ΑΣΦΑΛΕΙΑΣ ΓΙΑ ΤΟ ΦΟΡΗΤΟ ΠΑΛΙΝΔΡΟΜΙΚΟ ΠΡΙΟΝΙ

1. Να κρατάτε το ηλεκτρικό εργαλείο από τις μονωμένες επιφάνειες λαβής όταν εκτελείτε εργασίες κατά τις οποίες το εξάρτημα κοπής μπορεί να έρθει σε επαφή με κρυμμένα καλώδια. Σε περίπτωση επαφής του εξαρτήματος κοπής με ηλεκτροφόρο καλώδιο, μπορεί να εκτεθειμένα μεταλλικά εξαρτήματα του ηλεκτρικού εργαλείου να καταστούν τα ίδια ηλεκτροφόρα και να προκαλέσουν ηλεκτροπληξία στο χειριστή.
2. Να χρησιμοποιείτε σφικτήρες ή κάποιο άλλο πρακτικό μέσο για να ασφαλίσετε και να στηρίζετε το τεμάχιο εργασίας σε μια σταθερή πλατφόρμα. Αν κρατάτε το τεμάχιο εργασίας με το χέρι σας ή επάνω στο σώμα σας, θα είναι ασταθές και μπορεί να χάσετε τον έλεγχο.
3. Να χρησιμοποιείτε πάντα γυαλιά ασφαλείας ή προστατευτικά γυαλιά. Τα συνηθισμένα γυαλιά οράσεως ή γυαλιά ηλίου ΔΕΝ είναι γυαλιά ασφαλείας.
4. Να αποφεύγετε την κοπή καρφιών. Να επιθεωρείτε το τεμάχιο εργασίας για καρφιά και αφαιρέστε τα πριν από τη λειτουργία.
5. Μην κόβετε υπερμεγέθη τεμάχια εργασίας.
6. Πριν από την κοπή, να ελέγχετε ότι υπάρχει επαρκής απόσταση πίσω από το τεμάχιο εργασίας ώστε η λάμα να μη χτυπήσει το δάπεδο, τον πάγκο εργασίας, κτλ.
7. Κρατάτε το εργαλείο σταθερά.
8. Να βεβαιώνετε ότι η λάμα δεν ακουμπάει το τεμάχιο εργασίας πριν ενεργοποιήσετε το διακόπτη.
9. Μην πλησιάζετε τα χέρια σας σε κινούμενα μέρη.
10. Μην αφήνετε το εργαλείο αναμμένο. Να χειρίζεστε το εργαλείο μόνο όταν το κρατάτε στο χέρι.
11. Να σβήνετε πάντα το εργαλείο και να περιμένετε να σταματήσει να κινείται εντελώς η λάμα πριν τη βγάλετε από το τεμάχιο εργασίας.
12. Μην αγγίζετε τη λάμα ή το τεμάχιο εργασίας αμέσως μετά τη λειτουργία. Μπορεί να είναι εξαιρετικά ζεστά και να σας προκαλέσουν εγκαύματα.
13. Μη θέτετε το εργαλείο σε λειτουργία χωρίς φορτίο όταν αυτό δεν είναι απαραίτητο.
14. Μερικά υλικά περιέχουν χημικά που μπορεί να είναι τοξικά. Να προσέχετε ώστε να αποφεύγετε την εισπνοή σκόνης και την επαφή με το δέρμα. Να ακολουθείτε τα δεδομένα ασφαλείας του προμηθευτή υλικού.
15. Να χρησιμοποιείτε πάντα προσωπίδα κατά της σκόνης/αναπνευστήρα που είναι κατάλληλα για το υλικό και την εφαρμογή σας.

ΦΥΛΑΞΤΕ ΑΥΤΕΣ ΤΙΣ ΟΔΗΓΙΕΣ.

⚠️ ΠΡΟΕΙΔΟΠΟΙΗΣΗ:

ΜΗΝ επιτρέψετε στην άνεση ή στην εξοικείωσή σας με το προϊόν (που αποκτήθηκε από επανειλημμένη χρήση) να αντικαταστήσει την αυστηρή τήρηση των κανόνων ασφαλείας του παρόντος εργαλείου. Η ΛΑΝΘΑΣΜΕΝΗ ΧΡΗΣΗ ή η αμέλεια να ακολουθηθεί τους κανόνες ασφαλείας που διατυπώνονται στο παρόν εγχειρίδιο οδηγιών μπορεί να προκαλέσει σοβαρό προσωπικό τραυματισμό.

ENC007-12

ΣΗΜΑΝΤΙΚΕΣ ΟΔΗΓΙΕΣ ΑΣΦΑΛΕΙΑΣ ΓΙΑ ΚΑΣΕΤΑ ΜΠΑΤΑΡΙΩΝ

1. Πριν χρησιμοποιήσετε την κασέτα μπαταριών, διαβάστε όλες τις οδηγίες και σημειώσεις προφύλαξης (1) στον φοριστή μπαταριών, (2) στην μπαταρία και (3) στο προϊόν που χρησιμοποιεί την μπαταρία.
2. Μην αποσυναρμολογήσετε την κασέτα μπαταριών.
3. Εάν ο χρόνος λειτουργίας έχει γίνει υπερβολικά βραχύς, σταματήστε τη λειτουργία αμέσως. Αλλιώς, μπορεί να έχει ως αποτέλεσμα κίνδυνο υπερθέρμανσης, πιθανά εγκαύματα ή ακόμη και έκρηξη.
4. Εάν ηλεκτρολύτης μπει στα μάτια σας, ξεπλύνετε τα με καθαρό νερό και ζητήστε ιατρική φροντίδα αμέσως. Αλλιώς, μπορεί να έχει ως αποτέλεσμα απώλεια της όρασης σας.
5. Μη βραχυκυκλώνετε την κασέτα μπαταριών:
 - (1) Μην αγγίζετε τους πόλους με οτιδήποτε αγώγιμο υλικό.
 - (2) Αποφεύγετε να αποθηκεύετε την κασέτα μπαταριών μέσα σε ένα δοχείο μαζί με άλλα μεταλλικά αντικείμενα όπως καρφιά, νομίσματα, κλπ.
 - (3) Μην εκθέτετε την κασέτα μπαταριών στο νερό ή στη βροχή.Ένα βραχυκύκλωμα μπαταρίας μπορεί να προκαλέσει μεγάλη ροή ρεύματος, υπερθέρμανση, πιθανά εγκαύματα ακόμη και σοβαρή βλάβη.
6. Μην αποθηκεύετε το εργαλείο και την κασέτα μπαταριών σε τοποθεσίες όπου η θερμοκρασία μπορεί να φτάσει ή να ξεπεράσει τους 50°C.
7. Μην καίτε την κασέτα μπαταριών ακόμη και εάν έχει σοβαρή ζημιά ή είναι εντελώς φθαρμένη. Η κασέτα μπαταριών μπορεί να εκραγεί στη φωτιά.
8. Προσέχετε να μη ριζίτε κάτω ούτε να χτυπήσετε την μπαταρία.
9. Μη χρησιμοποιείτε μπαταρία που έχει υποστεί ζημιά.

10. Οι μπαταρίες ιόντων λιθίου που περιέχονται υπόκεινται στις απαιτήσεις της νομοθεσίας για επικίνδυνα αγαθά.

Για εμπορικές μεταφορές, για παράδειγμα από τρίτα μέρη, πρέπει να τηρούνται οι διαμεταφορές, οι ειδικές απαιτήσεις στη συσκευασία και η επισήμανση.

Για προετοιμασία του στοιχείου που αποστέλλεται, είναι απαραίτητο να συμβουλευτείτε έναν ειδικό για επικίνδυνα υλικά. Επίσης, τηρήστε τους πιθανούς, πιο αναλυτικούς εθνικούς κανονισμούς.

Καλύψτε με αυτοκόλλητη ταινία ή κρύψτε τις ανοικτές επαφές και συσκευάστε την μπαταρία με τρόπο που να μην μπορεί να μετακινείται μέσα στη συσκευασία.

11. Τηρήστε τους τοπικούς κανονισμούς που σχετίζονται με τη διάθεση της μπαταρίας.

12. Χρησιμοποιήστε τις μπαταρίες μόνο με τα προϊόντα που καθορίζει η Makita. Αν τοποθετήσετε τις μπαταρίες σε μη συμβατά προϊόντα μπορεί να έχει ως αποτέλεσμα πυρκαγιά, υπερβολική θερμότητα, έκρηξη ή διαρροή ηλεκτρολύτη.

ΦΥΛΑΞΤΕ ΤΙΣ ΟΔΗΓΙΕΣ ΑΥΤΕΣ.

⚠️ ΠΡΟΣΟΧΗ:

Να χρησιμοποιείτε μόνο γνήσιες μπαταρίες της Makita. Η χρήση μη γνήσιων μπαταριών Makita, ή μπαταριών που έχουν τροποποιηθεί, μπορεί να έχει ως αποτέλεσμα τη ρήξη της μπαταρίας, προκαλώντας πυρκαγιά, προσωπικό τραυματισμό και βλάβη. Επίσης, θα ακυρωθεί η εγγύηση της Makita για το εργαλείο και φορτιστή Makita.

Συμβουλές για τη διατήρηση της μέγιστης ζωής μπαταρίας

1. Φορτίζετε την κασέτα μπαταριών πριν από την πλήρη αποφόρτισή της. Πάντοτε να σταματάτε τη λειτουργία του εργαλείου και να φορτίζετε την κασέτα μπαταριών όταν παρατηρείτε μειωμένη ισχύ εργαλείου.
2. Ποτέ μην επαναφορτίζετε μια πλήρως φορτισμένη κασέτα μπαταριών. Η υπερφόρτιση μειώνει την ωφέλιμη ζωή της μπαταρίας.
3. Να φορτίζετε την κασέτα μπαταριών σε θερμοκρασία δωματίου, δηλαδή στους 10°C έως 40°C. Αφήστε μια θερμή κασέτα μπαταριών να κρυώσει πριν την φορτίσετε.
4. Να φορτίζετε την κασέτα μπαταριών εάν δεν τη χρησιμοποιείτε για μεγάλη χρονική περίοδο (περισσότερο από έξι μήνες).

ΠΕΡΙΓΡΑΦΗ ΛΕΙΤΟΥΡΓΙΑΣ

⚠️ ΠΡΟΣΟΧΗ:

- Πάντοτε βεβαιώνεστε ότι το εργαλείο είναι σβηστό και η κασέτα μπαταρίας έχει αφαιρεθεί πριν ρυθμίσετε ή ελέγξετε κάποια λειτουργία στο εργαλείο.

Τοποθέτηση ή αφαίρεση της κασέτας μπαταρίας (Εικ. 1)

⚠️ ΠΡΟΣΟΧΗ:

- Πάντοτε να σβήνετε το εργαλείο πριν τοποθετήσετε ή αφαιρέσετε την κασέτα μπαταρίας.

- Κρατήστε το εργαλείο και την κασέτα μπαταρίας σταθερά κατά την τοποθέτηση ή αφαίρεση της κασέτας μπαταρίας. Αν δεν κρατάτε το εργαλείο και την κασέτα μπαταρίας σταθερά μπορεί γλιστρήσουν από τα χέρια σας και να προκληθεί βλάβη στο εργαλείο και την κασέτα μπαταρίας και προσωπικούς τραυματισμούς.

Για να αφαιρέσετε την κασέτα μπαταρίας, ολισθήστε την από το εργαλείο ενώ σύρετε το κουμπί στο μπροστινό μέρος της κασέτας.

Για να τοποθετήσετε την κασέτα μπαταρίας, ευθυγραμμίστε τη γλώσσα στην κασέτα μπαταρίας με την αύλακα στην υποδοχή και ολισθήστε τη στη θέση της. Να την τοποθετείτε πλήρως μέχρι να ασφαλίσει στη θέση της, γεγονός που υποδεικνύεται με ένα χαρακτηριστικό ήχο. Αν μπορείτε να δείτε την κόκκινη ένδειξη στην επάνω πλευρά του κουμπιού, δεν έχει κλειδώσει τελείως.

⚠️ ΠΡΟΣΟΧΗ:

- Να τοποθετείτε πάντα την κασέτα μπαταρίας πλήρως μέχρι να μην βλέπετε την κόκκινη ένδειξη. Σε αντίθετη περίπτωση, μπορεί να πέσει κατά λάθος από το εργαλείο και να τραυματίσει εσάς ή κάποιον παρευρισκόμενο.
- Μην τοποθετείτε την κασέτα μπαταρίας με βία. Αν η κασέτα δεν εισέρχεται με ευκολία, δεν είναι τοποθετημένη σωστά.

Σύστημα προστασίας μπαταρίας (μπαταρία ιόντων λιθίου με ένδειξη αστεριού) (Εικ. 2)

Οι μπαταρίες ιόντων λιθίου με ένδειξη αστεριού είναι εξοπλισμένες με σύστημα προστασίας. Αυτό το σύστημα αποκόπτει αυτόματα την ισχύ προς το εργαλείο για να παραταθεί η διάρκεια λειτουργίας της.

Το εργαλείο σταματάει αυτόματα κατά τη διάρκεια της λειτουργίας αν το εργαλείο ή/και η μπαταρία βρεθούν κάτω από τις παρακάτω συνθήκες:

- Υπερφόρτιση:
Το εργαλείο λειτουργεί με τρόπο ώστε να αναγκάζεται να καταναλώνει ασυνήθιστα υψηλό ρεύμα. Σε αυτή την κατάσταση, αφήστε τη σκανδάλη διακόπτη στο εργαλείο και διακόψτε την εφαρμογή που προκαλεί την υπερφόρτιση του εργαλείου. Στη συνέχεια, τραβήξτε ξανά τη σκανδάλη διακόπτη για επανεκκίνηση.
Αν το εργαλείο δεν ξεκινάει, η μπαταρία έχει υπερθερμανθεί. Σε αυτή την κατάσταση, αφήστε την μπαταρία να ψυχθεί πριν τραβήξετε ξανά τη σκανδάλη διακόπτη.
- Χαμηλή τάση μπαταρίας:
Η υπόλοιπη χωρητικότητα μπαταρίας είναι πολύ χαμηλή και το εργαλείο δεν λειτουργεί. Σε αυτή την κατάσταση, αφαιρέστε και επαναφορτίστε την μπαταρία.

Ένδειξη της υπόλοιπης χωρητικότητας της μπαταρίας (Εικ. 3)

Μόνο για κασέτες μπαταριών με την ένδειξη

Πιέστε το κουμπί ελέγχου στην κασέτα μπαταρίας για να υποδείξετε την υπόλοιπη χωρητικότητα της μπαταρίας. Οι ενδεικτικές λυχνίες ανάβουν για λίγα δευτερόλεπτα.

Ενδεικτικές λυχνίες			Υπόλοιπη χωρητικότητα
Αναμμέν- ες	Σβηστές	Αναβοσβή- νουν	
■ ■ ■ ■			75% έως 100%
■ ■ ■ □			50% έως 75%
■ ■ □ □			25% έως 50%
■ □ □ □			0% έως 25%
▣ □ □ □			Φορτίστε την μπαταρία.
■ ■ □ □ ↑ ↓ □ □ ■ ■			Μπορεί να προέκυψε δυσλειτουργία στην μπαταρία.

015658

Επιλογή τρόπου κοπής (Εικ. 4)

Αυτό το μηχάνημα μπορεί να λειτουργήσει σε κίνηση κοπής περιστροφική ή ευθεία γραμμή (επάνω και κάτω). Η περιστροφική κίνηση κοπής ωθεί την λάμα προς τα εμπρός στην γραμμή κοπής και προοδευτικώς αυξάνει την ταχύτητα κοπής.

Για να αλλάξετε τον τρόπο κοπής, απλώς γυρίστε τον λεβιέ αλλαγής τρόπου κοπής στην επιθυμητή θέση τρόπου κοπής. Αναφερθείτε στον παρακάτω πίνακα για να επιλέξετε τον τρόπο κοπής.

Θέση	Κίνηση κοπής	Εφαρμογές
0	Κίνηση κοπής ευθεία γραμμή	Για κοπή μαλακού χάλυβα, ανοξείδωτου χάλυβα και πλαστικών. Για καθαρές κοπές σε ξύλο και καπλαμά.
I	Κίνηση κοπής μικρή περιστροφική	Για κοπή μαλακού χάλυβα, αλουμινίου και σκληρού ξύλου.
II	Κίνηση κοπής μέτρια περιστροφική	Για κοπή ξύλου και καπλαμά. Για γρήγορη κοπή αλουμινίου και μαλακού χάλυβα.
III	Κίνηση κοπής μεγάλη περιστροφική	Κίνηση κοπής μεγάλη περιστροφική Για γρήγορη κοπή ξύλου και καπλαμά.

006376

Λειτουργία διακόπτη (Εικ. 5 και 6)

⚠ ΠΡΟΣΟΧΗ:

- Πριν βάλετε τη κασέτα μπαταρίας μέσα στο μηχάνημα, πάντοτε ελέγχετε να δείτε ότι η σκανδάλη διακόπτης ενεργοποιείται κανονικά και επιστρέφει στη θέση "OFF" όταν ελευθερώνεται.
- Όταν το εργαλείο δεν βρίσκεται σε λειτουργία, πιέστε το κουμπί ασφάλισης από την πλευρά "A" για να κλειδώσετε τη σκανδάλη-διακόπτη στη θέση OFF.

Για να μην πιέσετε τη σκανδάλη-διακόπτη κατά λάθος, παρέχεται ένα κουμπί ασφάλισης.

Για να ξεκινήσετε τη λειτουργία του εργαλείου, πιέστε το κουμπί ασφάλισης από την πλευρά B και πιέστε τη σκανδάλη-διακόπτη.

ΠΑΡΑΤΗΡΗΣΗ:

- Ανάλογα με τις συνθήκες χρήσης και τη θερμοκρασία περιβάλλοντος, η ένδειξη μπορεί να διαφέρει λίγο από την πραγματική χωρητικότητα.

Αν αυξήσετε την πίεση στη σκανδάλη-διακόπτη, αυξάνεται η ταχύτητα του εργαλείου. Για να σταματήσετε το εργαλείο, αφήστε τη σκανδάλη-διακόπτη. Μετά τη χρήση, να πιέξετε πάντοτε προς τα μέσα το κουμπί ασφάλισης από την πλευρά A.

Αναμμα των λαμπών

⚠ ΠΡΟΣΟΧΗ:

- Μη κυττάτε το φως ούτε να βλέπετε την πηγή φωτός απευθείας.

Για να ανάψετε τη λάμπα, τραβήχτε τη σκανδάλη. Ελευθερώστε τη σκανδάλη για να τη σβήσετε.

ΠΑΡΑΤΗΡΗΣΗ:

- Χρησιμοποιείτε ένα στεγνό ύφασμα για να σκουπίζετε τους ρύπους από το φακό της λάμπας. Προσέχετε να μη γρατσουνίσετε το φακό της λάμπας, διαφορετικά θα μειωθεί ο φωτισμός.

ΣΥΝΑΡΜΟΛΟΓΗΣΗ

⚠️ ΠΡΟΣΟΧΗ:

- Πάντοτε βεβαιώνετε ότι το εργαλείο είναι σβηστό και η κασέτα μπαταρίας έχει αφαιρεθεί πριν εκτελέσετε κάποια εργασία στο εργαλείο.

Τοποθέτηση ή αφαίρεση λαμών πριονιού

⚠️ ΠΡΟΣΟΧΗ:

- Πάντοτε καθαρίστε όλα τα προκollημένα στη λάμα ή στο στήριγμα της λάμας πριονιδια ή ξένα υλικά. Εάν δεν γίνει αυτό, μπορεί να γίνει αιτία για ανεπαρκές σφίξιμο της λάμας και να καταλήξει σε σοβαρό τραυματισμό.
- Μην αγγίζετε την λάμα ή το αντικείμενο εργασίας αμέσως μετά την λειτουργία, γιατί μπορεί να είναι εξαιρετικά θερμά και να σας προκαλέσουν εγκαύματα.
- Σφίχτε τη λάμα πριονιού σταθερά. Διαφορετικά μπορεί να προκληθεί σοβαρός τραυματισμός.
- Όταν αφαιρείτε την λάμα πριονιού, προσέχετε να μη τραυματίσετε τα δάκτυλά σας με την κορυφή της λάμας ή τις άκρες των αντικειμένων εργασίας.

Για τοποθέτηση την λάμα, ανοίχτε το τμήμα ανοίγματος του εργαλείου στη θέση που δείχνει η εικόνα. **(Εικ. 7)**

Κρατώντας το στη θέση αυτή, βάλτε την λάμα πριονιού μέσα στον σφινγκτήρα λάμας μέχρι να μην φαίνονται οι δύο προεξοχές της λάμας. **(Εικ. 8)**

Επαναφέρετε το τμήμα ανοίγματος στην αρχική του θέση.

Μετά την τοποθέτηση της λάμας πριονιού, πάντοτε βεβαιώνετε ότι η λάμα κρατιέται σταθερά στη θέση της επιχειρώντας να την τραβήξετε έξω.

⚠️ ΠΡΟΣΟΧΗ:

- Μην ανοίγετε το τμήμα ανοίγματος υπερβολικά γιατί μπορεί να προκληθεί ζημιά στο εργαλείο.

Για αφαίρεση την λάμα, ανοίχτε το τμήμα ανοίγματος του εργαλείου στη θέση που δείχνει η εικόνα. **(Εικ. 9)** Τραβήχτε την λάμα πριονιού έξω προς το μέρος της βάσης.

ΠΑΡΑΤΗΡΗΣΗ:

- Περιστασιακά λιπαίνετε τον κύλινδρο.

Αποθήκευση εξαγωνικού άλεν (Εικ. 10)

Όταν δεν χρησιμοποιείτε το εξαγωνικό άλεν, αποθηκεύστε το, όπως απεικονίζεται, για να μην το χάσετε.

Πλάκα καλύμματος (Εικ. 11)

Χρησιμοποιήστε την πλάκα καλύμματος όταν κόβετε διακοσμητικούς καπλαμάδες, πλαστικά, κλπ. Προστατεύει τις ευαίσθητες ή λεπτές επιφάνειες από ζημιά. Προσαρμόστε την στο πίσω μέρος της βάσης του εργαλείου.

Συσκευή αποφυγής σκληρών (Εικ. 12)

Για κοπές χωρίς σκληρές μπορεί να χρησιμοποιηθεί η συσκευή αποφυγής σκληρών. Για να εγκαταστήσετε την συσκευή αποφυγής σκληρών μετακινήστε την βάση του εργαλείου όσο πάει εμπρός και προσαρμόστε την από το πίσω μέρος της βάσης του εργαλείου. Όταν χρησιμοποιείτε την πλάκα καλύμματος, τοποθετείτε την συσκευή αποφυγής σκληρών επάνω στη πλάκα καλύμματος.

⚠️ ΠΡΟΣΟΧΗ:

- Η συσκευή αποφυγής σκληρών δεν μπορεί να χρησιμοποιηθεί όταν κάνετε λοξοτομές.

Εξαγωγή σκόνης

Το ακροφύσιο σκόνης (προαιρετικό εξάρτημα) συνιστάται για εκτέλεση καθαρών εργασιών κοπής. **(Εικ. 13)**

Για να προσαρμόσετε το ακροφύσιο σκόνης στο εργαλείο, βάλτε το άγκιστρο του ακροφυσίου σκόνης μέσα στην τρύπα στη βάση.

Το ακροφύσιο σκόνης μπορεί να τοποθετηθεί είτε στην αριστερή είτε στην δεξιά πλευρά της βάσης. **(Εικ. 14)**

Κατόπιν συνδέστε μία σκούπα απορρόφησης Makita στο ακροφύσιο σκόνης. **(Εικ. 15)**

ΛΕΙΤΟΥΡΓΙΑ

⚠️ ΠΡΟΣΟΧΗ:

- Πάντοτε κρατάτε τη βάση του μηχανήματος ευθυγραμμισμένη με το κατεργαζόμενο κομμάτι. Εάν το παραλείψετε, μπορεί να προκληθεί θραύση της λάμας, με αποτέλεσμα σοβαρό τραυματισμό. **(Εικ. 16)**

Ενεργοποιήστε το εργαλείο χωρίς να έρχεται σε επαφή η λάμα και περιμένετε έως ότου η λάμα αποκτήσει την πλήρη ταχύτητά της. Μετά, ακουμπήστε το μηχανήμα ομοιόμορφα στο κατεργαζόμενο κομμάτι και κινήστε απαλά το μηχανήμα προς τα εμπρός κατά μήκος της γραμμής κοπής που έχει σηματοδευτεί από πριν.

ΠΑΡΑΤΗΡΗΣΗ:

- Εάν το εργαλείο χρησιμοποιείται συνεχώς μέχρι που η κασέτα μπαταρίας έχει εκφορτιστεί, αφήστε το εργαλείο να αναπαυθεί για 15 λεπτά πριν προχωρήσετε με μία νέα μπαταρία.

Όταν κόβετε καμπύλες, προχωρείστε το μηχανήμα πολύ αργά.

Λοξότμηση (Εικ. 17)

⚠️ ΠΡΟΣΟΧΗ:

- Να βεβαιώνετε πάντοτε ότι έχετε σβήσει το εργαλείο και έχετε βγάλει την μπαταρία πριν δώσετε κλίση στη βάση.

Δίνοντας κλίση στην βάση του εργαλείου, μπορείτε να κάνετε λοξοτομές σε οποιαδήποτε γωνία μεταξύ 0° και 45° (αριστερά ή δεξιά).

Χαλαρώστε το μπουλόνι στο πίσω μέρος της βάσης με το εξαγωνικό κλειδί. Μετακινήστε τη βάση έτσι ώστε το μπουλόνι να είναι τοποθετημένο στο κέντρο της λοξής σχισμής στη βάση. **(Εικ. 18)**

Δώστε κλίση στη βάση μέχρι να επιτύχετε την επιθυμητή λοξή γωνία.

Η εγκοπή V στο περιβλήμα της μηχανής δείχνει την λοξή γωνία με διαβαθμίσεις. Μετά σφίχτε το μπουλόνι σταθερά για να ασφαλίσετε την βάση. **(Εικ. 19)**

Εμπρόσθιες ευθυγραμμισμένες κοπές

Χαλαρώστε το μπουλόνι στο πίσω μέρος της βάσης με το εξαγωνικό κλειδί και ολισθήστε τη βάση τέρμα πίσω. Μετά σφίξτε το μπουλόνι για να στερεώσετε τη βάση του μηχανήματος. **(Εικ. 20)**

Αποκοπή

Αποκοπές μπορούν να γίνουν με τη μια ή με την άλλη από τις μεθόδους, Α ή Β.

Α) Με άνοιγμα τρύπας εκκίνησης (Εικ. 21):

Για εσωτερικές αποκοπές χωρίς αρχικό κόψιμο από μια άκρη, προ-τρυπήστε μια τρύπα εκκίνησης 12 χιλ. ή περισσότερο. Εισάγετε τη λάμα μέσα σε αυτή την τρύπα και ξεκινήστε τη κοπή σας.

Β) Κοπές βύθισης (Εικ. 22):

Δε χρειάζεται να ανοίξετε τρύπα εκκίνησης ή να κάνετε μια αρχική κοπή εάν προσεχτικά κάνετε όπως ακολούθως.

1. Δώστε κλίση στο μηχανήμα προς τα επάνω, σε σχέση με την μπροστινή μεριά της βάσης, με τη λάμα τοποθετημένη λίγο πάνω από την επιφάνεια του κατεργαζόμενου κομματιού.
2. Εφαρμόστε πίεση στο μηχανήμα, έτσι ώστε η μπροστινή μεριά της βάσης να μην μετακινηθεί όταν ανάψετε το μηχανήμα και μαλακά χαμηλώστε σιγά-σιγά το πίσω μέρος της βάσης του μηχανήματος.
3. Καθώς η λάμα διαπερνά το κατεργαζόμενο κομμάτι, σιγά-σιγά χαμηλώστε τη βάση του μηχανήματος κάτω προς την επιφάνεια του κατεργαζόμενου κομματιού.
4. Ολοκληρώστε την κοπή με τον κανονικό τρόπο.

Τελειώματα γωνιών (Εικ. 23)

Για να καθαρίσετε τις γωνίες ή να κάνετε ρυθμίσεις στις διαστάσεις, κάντε ένα πέρασμα με τη λάμα κατά μήκος των κομμένων πλευρών.

Κοπή μετάλλων

Πάντοτε χρησιμοποιείτε ένα κατάλληλο ψυκτικό (έλαο κοπής) όταν κόβετε μέταλλα. Εάν δεν το κάνετε αυτό θα προκληθεί σημαντική φθορά στη λάμα. Η κάτω πλευρά του κατεργαζόμενου κομματιού μπορεί να λιπανθεί αντί να χρησιμοποιηθεί ψυκτικό.

Προστατευτικό σύνολο σχισίματος (προαιρετικό εξάρτημα)

⚠ ΠΡΟΣΟΧΗ:

• Να βεβαιώνετε πάντοτε ότι έχετε σβήσει το εργαλείο και έχετε βγάλει την μπαταρία πριν τοποθετήσετε ή αφαιρέσετε αξεσουάρ.

1. Ευθείες κοπές (Εικ. 24 και 25)

Όταν κόβετε επαναλαμβανόμενα πλάτη 160 χιλ. ή λιγότερο, χρησιμοποιήστε του προστατευτικού σχισίματος εξασφαλίζει γρήγορη, καθαρή και ευθεία κοπή. Για να τον τοποθετήσετε, βάλτε το προστατευτικό σχισίματος μέσα στην ορθογώνια τρύπα στην πλευρά της βάσης του μηχανήματος με τον προστατευτικό οδηγό να κοιτάει προς τα κάτω. Γλυστρίστε το προστατευτικό σχισίματος στη θέση του επιθυμητού πλάτος κοπής, και μετά σφίξτε τα μπουλόνια για να το στερεώσετε.

2. Κυκλικές κοπές (Εικ. 26 και 27)

Όταν κόβετε κύκλους ή τόξα ακτίνας 170 χιλ. ή λιγότερο, τοποθετήστε το προστατευτικό σχισίματος όπως ακολούθως.

- Βάλτε το προστατευτικό σχισίματος μέσα στην ορθογώνια τρύπα στην πλευρά της βάσης του μηχανήματος με τον προστατευτικό οδηγό να κοιτάει προς τα πάνω. Βάλτε τον πείρο κυκλικής οδήγησης να περάσει και από τις δύο τρύπες του προστατευτικού οδηγού. Βιδώστε το κουμπί με το στερίωμα πάνω στο πείρο για να στερεώσετε τον πείρο.
- Μετά, γλυστρίστε το προστατευτικό σχισίματος στην επιθυμητή ακτία κοπής, και σφίξτε το μπουλόνι για να τον στερεώσετε στη θέση του. Μετά μετακινήστε τη βάση του μηχανήματος όσο πάει μπροστά.

ΠΑΡΑΤΗΡΗΣΗ:

- Πάντα χρησιμοποιείτε λάμες Αρ. Β-17, Β-18, Β-26 ή Β-27 όταν κόβετε κύκλους ή τόξα.

Σύνολο προσαρμοστή οδηγού σιδηροτροχιάς (εξάρτημα) (Εικ. 28)

Όταν εκτελείτε κοπή παράλληλη και ομοιόμορφου πλάτους ή ίσια κοπή, η χρήση του οδηγού σιδηροτροχιάς και του προσαρμοστή οδηγού σιδηροτροχιάς θα εξασφαλίσει την παραγωγή γρήγορων και καθαρών κοπών.

Για να εγκαταστήσετε τον προσαρμοστή οδηγού σιδηροτροχιάς, βάλτε τον χάρακα μέσα στην τετράγωνη τρύπα της βάσης όσο βαθιά μπορεί να πάει. Ασφαλίστε το μπουλόνι με το εξάγωνο κλειδί καλά. **(Εικ. 29)**

Εγκαταστήστε τον προσαρμοστή οδηγού σιδηροτροχιάς στην σιδηροτροχιά του οδηγού σιδηροτροχιάς. Βάλτε τον χάρακα μέσα στην τετράγωνη τρύπα του προσαρμοστή οδηγού σιδηροτροχιάς. Βάλτε την βάση στην πλευρά του οδηγού σιδηροτροχιάς και ασφαλίστε το μπουλόνι καλά. **(Εικ. 30)**

⚠ ΠΡΟΣΟΧΗ:

- Πάντοτε χρησιμοποιείτε τις λάμες Αρ. Β-8, Β-13, Β-16, Β-17 ή 58 όταν χρησιμοποιείτε τον οδηγό σιδηροτροχιάς και τον προσαρμοστή οδηγού σιδηροτροχιάς.

ΣΥΝΤΗΡΗΣΗ

⚠ ΠΡΟΣΟΧΗ:

- Πάντοτε βεβαιώνετε ότι το εργαλείο είναι σβηστό και η κασέτα μπαταρίας έχει αφαιρεθεί πριν επιχειρήσετε να κάνετε έλεγχο ή συντήρηση.
- Μην χρησιμοποιείτε ποτέ βενζίνη, πετρελαϊκό αιθέρα, διαλυτικό, αλκοόλη ή παρόμοιες ουσίες. Ενδέχεται να προκληθεί αποχρωματισμός παραμόρφωση ή ρωγμές.

Αντικατάσταση ψηκτρών άνθρακα (Εικ. 31 και 32)

Αφαιρείτε και ελέγχετε τις ψήκτρες άνθρακα τακτικά. Αντικαθιστάτε τις όταν φθαρούν μέχρι το σημάδι ορίου. Κρατάτε τις ψήκτρες άνθρακα καθαρές και ελεύθερες να γλυστρούν στις θήκες. Και οι δύο ψήκτρες άνθρακα πρέπει να αντικαθίστανται ταυτόχρονα. Χρησιμοποιείτε μόνο ταυτόσημες ψήκτρες άνθρακα. Χρησιμοποιήστε ένα κασβιδί για να αφαιρέσετε τα καπάκια των θηκών των ψηκτρών. Αφαιρέστε τις φθαρμένες ψήκτρες, βάλτε τις νέες και ασφαλίστε τα καπάκια των θηκών των ψηκτρών.

Για την διατήρηση της ΑΣΦΑΛΕΙΑΣ και ΑΞΙΟΠΙΣΤΙΑΣ του προϊόντος, επισκευές, οποιαδήποτε άλλη συντήρηση ή ρύθμιση πρέπει να εκτελούνται από τα Εξουσιοδοτημένα Κέντρα Εξυπηρέτησης της Makita, με χρήση πάντοτε ανταλλακτικών Makita.

⚠️ ΠΡΟΣΟΧΗ:

• Αυτά τα ανταλλακτικά ή προσαρτήματα συνιστώνται για χρήση με το εργαλείο σας της Makita που περιγράφεται στο εγχειρίδιο αυτό. Η χρήση οτιδήποτε άλλων ανταλλακτικών ή προσαρτημάτων μπορεί να παρουσιάσουν κίνδυνο τραυματισμού σε άτομα.

Εάν χρειάζεστε βοήθεια ή περισσότερες λεπτομέρειες σε σχέση με αυτά τα ανταλλακτικά, ρωτήστε το τοπικό σας κέντρο εξυπηρέτησης της Makita.

- Λάμες παλινδρομικού πριονιού
- Εξαγωνικό κλειδί 4
- Προστατευτικό σύνολο σχισίματος (Κανόνας οδηγός)
- Σύνολο προσαρμοστή οδηγού σιδηροτροχιάς
- Σύνολο οδηγού σιδηροτροχιάς
- Συσκευή αποφυγής σκληθρών
- Πλάκα καλύμματος
- Ακροφύσιο σκόνης
- Γνήσια μπαταρία και φορτιστής της Makita

ΠΑΡΑΤΗΡΗΣΗ:

• Μερικά στοιχεία στη λίστα μπορεί να συμπεριλαμβάνονται στη συσκευασία εργαλείου ως στάνταρ εξαρτήματα. Μπορεί να διαφέρουν ανάλογα με τη χώρα.

ENG905-1

Θορύβος

Το τυπικό Α επίπεδο μετρημένου θορύβου καθορίζεται σύμφωνα με το EN62841-2-11:

- Στάθμη πίεσης ήχου (L_{pA}): 84 dB (A)
- Στάθμη δύναμης ήχου (L_{WA}): 95 dB (A)
- Αβεβαιότητα (K): 3 dB (A)

ENG907-1

ΠΑΡΑΤΗΡΗΣΗ:

- Η δηλωμένη τιμή(ές) εκπομπής θορύβου έχει μετρηθεί σύμφωνα με την πρότυπη μέθοδο δοκιμής και μπορεί να χρησιμοποιηθεί για τη σύγκριση ενός εργαλείου με κάποιο άλλο.
- Η δηλωμένη τιμή(ές) εκπομπής θορύβου μπορεί να χρησιμοποιηθεί και στην προκαταρκτική αξιολόγηση της έκθεσης.

⚠️ ΠΡΟΕΙΔΟΠΟΙΗΣΗ:

- **Να φοράτε ωτοασπίδες.**
- Η εκπομπή θορύβου κατά τη χρήση του ηλεκτρικού εργαλείου σε πραγματικές συνθήκες μπορεί να διαφέρει από τη δηλωμένη τιμή(ές) ανάλογα με τους τρόπους χρήσης του εργαλείου, ιδιαίτερα το είδος του τεμαχίου εργασίας που υπόκειται επεξεργασία.
- Φροντίστε να λάβετε τα κατάλληλα μέτρα προστασίας του χειριστή βάσει ενός υπολογισμού της έκθεσης σε πραγματικές συνθήκες χρήσης (λαμβάνοντας υπόψη όλες τις συνιστώσες του κύκλου λειτουργίας όπως τους χρόνους που το εργαλείο είναι εκτός λειτουργίας και όταν βρίσκεται σε αδρανή λειτουργία πέραν του χρόνου ενεργοποίησης).

Κραδασμός

Η ολική τιμή δόνησης (άθροισμα τρι-αξονικού διανύσματος) καθορίζεται σύμφωνα με το EN62841-2-11:

- Είδος εργασίας: σανίδες κοπή
- Εκπομπή δόνησης ($a_{h, B}$): 7,0 m/s²
- Αβεβαιότητα (K): 1,5 m/s²

- Είδος εργασίας: κοπή ασφαλτολαμαρίνας
- Εκπομπή δόνησης ($a_{h, M}$): 3,5 m/s²
- Αβεβαιότητα (K): 1,5 m/s²

ENG901-2

ΠΑΡΑΤΗΡΗΣΗ:

- Η δηλωμένη τιμή(ές) συνολικών κραδασμών έχει μετρηθεί σύμφωνα με την πρότυπη μέθοδο δοκιμής και μπορεί να χρησιμοποιηθεί για τη σύγκριση ενός εργαλείου με κάποιο άλλο.
- Η δηλωμένη τιμή(ές) συνολικών κραδασμών μπορεί να χρησιμοποιηθεί και στην προκαταρκτική αξιολόγηση της έκθεσης.

⚠️ ΠΡΟΕΙΔΟΠΟΙΗΣΗ:

- Η εκπομπή κραδασμών κατά τη χρήση του ηλεκτρικού εργαλείου σε πραγματικές συνθήκες μπορεί να διαφέρει από τη δηλωμένη τιμή(ές) εκπομπής ανάλογα με τους τρόπους χρήσης του εργαλείου, ιδιαίτερα το είδος του τεμαχίου εργασίας που υπόκειται επεξεργασία.
- Φροντίστε να λάβετε τα κατάλληλα μέτρα προστασίας του χειριστή βάσει ενός υπολογισμού της έκθεσης σε πραγματικές συνθήκες χρήσης (λαμβάνοντας υπόψη όλες τις συνιστώσες του κύκλου λειτουργίας όπως τους χρόνους που το εργαλείο είναι εκτός λειτουργίας και όταν βρίσκεται σε αδρανή λειτουργία πέραν του χρόνου ενεργοποίησης).

ΔΗΛΩΣΗ ΣΥΜΜΟΡΦΩΣΗΣ ΕΚ

Για τις ευρωπαϊκές χώρες μόνο

Η δήλωση συμμόρφωσης ΕΚ περιλαμβάνεται ως Παράρτημα Α σε αυτό το εγχειρίδιο οδηγιών.

Makita Europe N.V. Jan-Baptist Vinkstraat 2,
3070 Kortenberg, Belgium

Makita Corporation 3-11-8, Sumiyoshi-cho,
Anjo, Aichi 446-8502 Japan