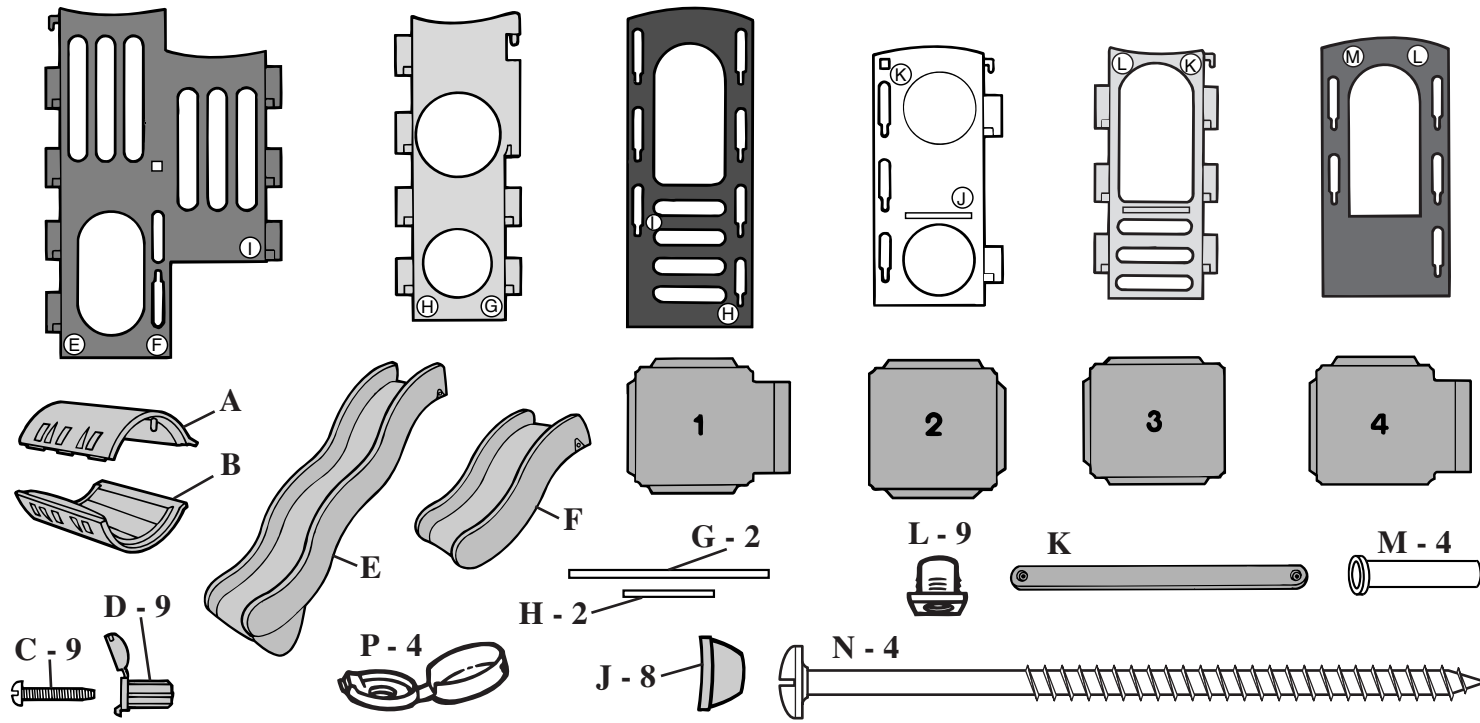
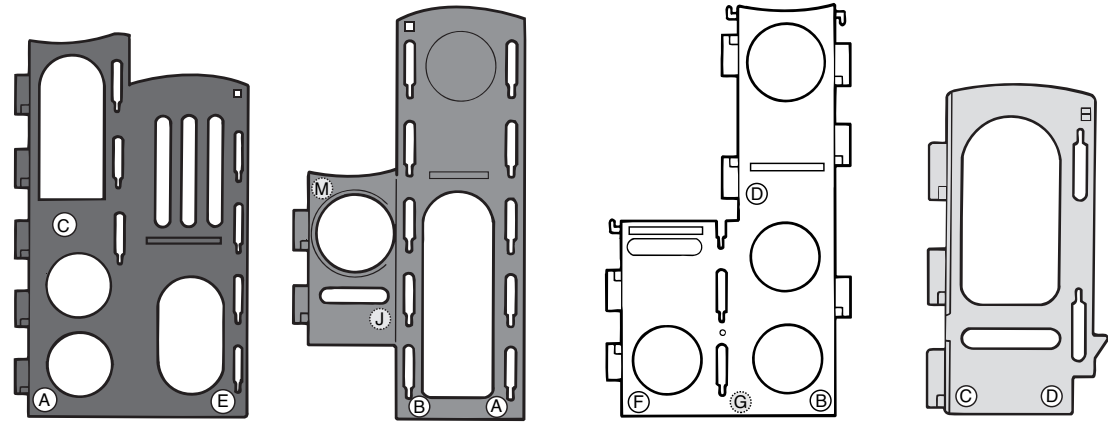
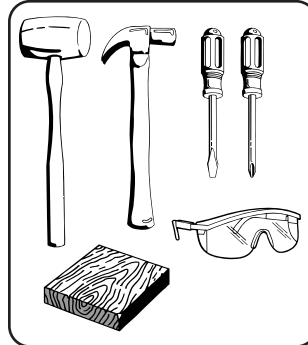




littletikes.com

624370101 - 5/11

4370



# ENGLISH

## LITTLE TIKES® PLAYGROUND

Ages 3 years and up  
Please save sales receipt for proof of purchase.

### ADULT ASSEMBLY REQUIRED.

2 people are required for assembly.

#### ⚠ WARNING:

- Keep these instructions for future reference.
- Prior to assembly, this package contains small parts: hardware which is a choking hazard and may contain sharp edges and sharp points. Keep away from children until assembled.
- Falls onto hard surfaces can result in head or other serious injuries. Never place on concrete, asphalt, wood, packed earth, grass or other hard surfaces. Carpet over hard floors may not prevent injury. Always use protective surfacing on the ground under and surrounding the playground equipment according to the enclosed "Consumer Information Sheet for Playground Surfacing Materials." Maximum fall height protection up to 6 feet (2 m) required.
- Adult supervision required. Do not leave children unattended.
- This product is intended for use by children ages 3 years and up.
- Maximum weight per child: 100 lbs. (45 kg). Limit 8 children.

- Shoes must be worn at all times.
- This product is intended for outdoor domestic family use only.
- Observing the following statements and warnings reduces the likelihood of serious or fatal injury.
- Place this product on level ground and at least 6' (2 m) away from any object. Objects to be avoided include, but are not limited to, fences, buildings, overhead branches, laundry lines or electrical wires.
- To prevent serious injury, children must not use the equipment until properly installed.
- It is recommended that the orientation of the assembled product be such that direct sunlight is minimized on surfaces intended for standing or sitting.
- Instruct children on proper use of this product, only after properly placed, and not in a manner other than intended.
- Do not allow children to climb on product when product is wet.
- Instruct children not to attach items to the product that are not specifically designed for use with the product such as, but not limited to, jump ropes, clotheslines, pet leashes, cables and chains, as they may cause a strangulation hazard.
- Instruct children to remove their bike or other sports helmet before playing on this product.
- Dress children appropriately: do not allow children to wear loose-fitting clothing including ponchos, scarves and garments with drawstrings. Well-fitting shoes must be worn at all times.
- Protect your eyes. Always wear safety glasses when using a hammer.

#### WALL ASSEMBLY:

The order of assembly corresponds with the letters molded into each wall. For example, match up the two walls with A molded into the bottom corners. Lift up the wall with hooks and insert hooks into the openings in opposite wall. Push down on the wall with the hooks to "lock" wall in place.

**NOTE:** Place a block of wood on walls with D molded in (see Illus. 4) and pound with a hammer. A rubber mallet may be used in place of the hammer and block of wood.

#### TUNNEL ASSEMBLY (ILLUS. 11 - 17)

Place tunnel bottom (B - tunnel piece without pegs) on lower "shelf" on the wall with the bubble window. Insert two 1 5/8" (4.1 cm) bolts (C) with bolt covers (D) in holes inside tunnel bottom. Tighten with a screwdriver.

**NOTE:** The 1 5/8" (4.1 cm) bolts may be tightened with a slotted or Phillips® screwdriver. Do not overtighten bolts. The bolt cover will not snap shut if bolt is too tight.

Insert two 1 5/8" (4.1 cm) bolts with bolt covers in holes underneath tunnel. Tighten with a screwdriver.

Place tunnel top (A - tunnel piece with pegs) on top "shelf" on the wall with the bubble window. Line up pegs on the inside rim of tunnel with holes in the walls at each end of tunnel and push down. Insert two 1 5/8" (4.1 cm) bolts with bolt covers in holes in tunnel top and tighten with a screwdriver.

Insert three 1 5/8" (4.1 cm) bolts with bolt covers in tunnel top and into threaded bushing inside holes in tunnel bottom.

