



KateHaa Wooden Toys | Learn, Play and explore

WALDORF ROCKER XXL

ASSEMBLING INSTRUCTION

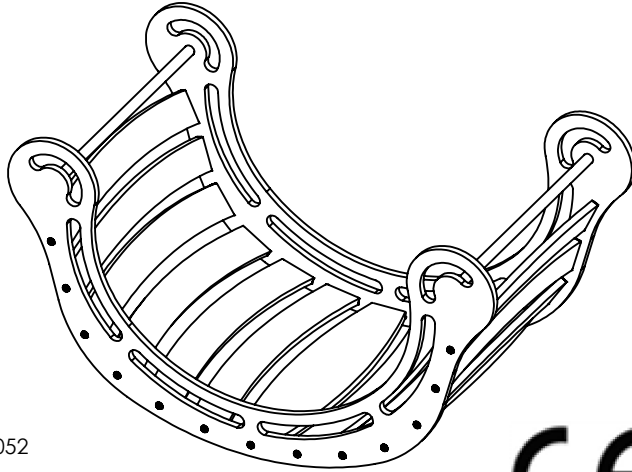


FOLLOW US ON:

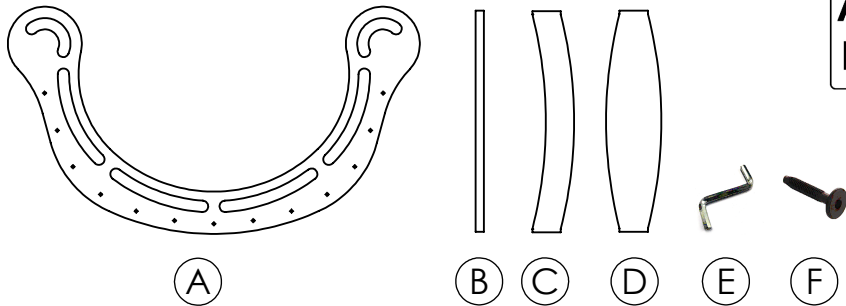
katehaa.toys

katehaa.toys

Made in Latvia
SIA KateHaa
Annas iela 18, Ikskile, Ogres nov., LV-5052
Phone: +371 26330044
Email: info@katehaa.com
Web: www.katehaa.com



The package contains:

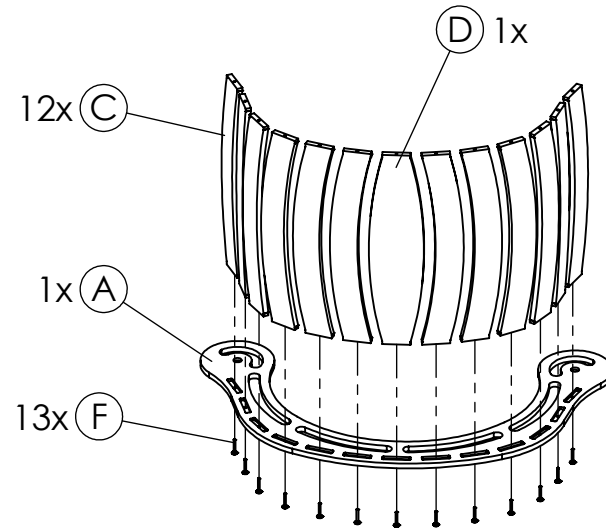


**ADULT
ASSEMBLY
REQUIRED**

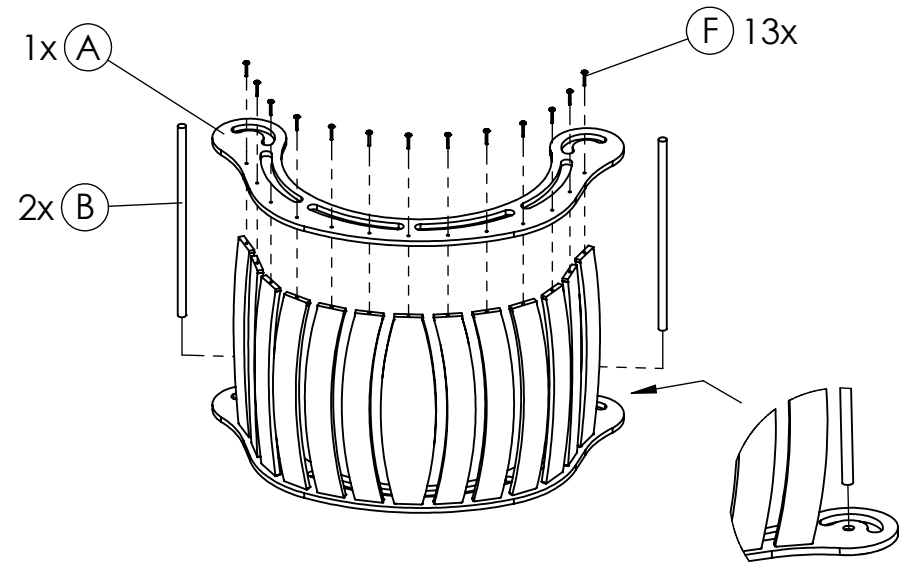
- A - SIDES (x2)
- B - STEEL BARS (x2)
- C - WOODEN BOARDS (x12)
- D - OVAL WOODEN BOARD (x1)
- E - ALLEN KEY (x1)
- F - FLAT HEAD SCREWS (x26)

For assembling please follow these steps:

1.



2.



Note: - Use ALLEN KEY (E) to screw the SCREWS (F) into the predrilled holes.
 - For easier assembly we recommend to split the 2th step in steps 2.1. and 2.2.
 At first (2.1.) screw in all the SCREWS (F) till half. Just at the second step (2.2.) tighten them completely.

