



Safety Instructions



0,1,2,4,6,11,15,18,22

Info Hotline

+49 (0) 5041 998 389

Mon. - Do. 7⁰⁰ - 20⁰⁰

Fr. 7⁰⁰ - 17⁰⁰



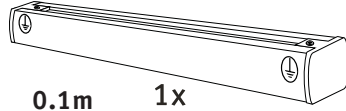
Paulmann Licht GmbH
Quezinger Feld 2
31832 Springe/Germany
www.paulmann.com

Art.-Nr.:

950.86

(+MA 173)
PH 11/13

95086



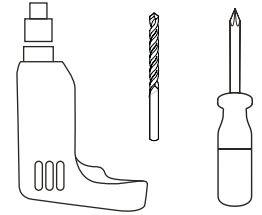
0.1m 1x



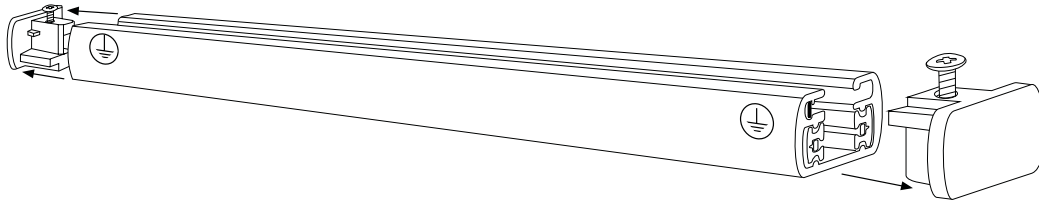
1x



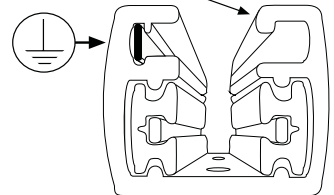
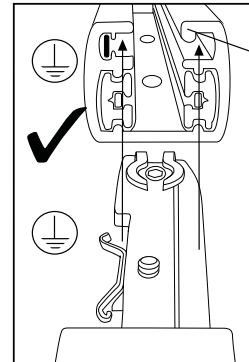
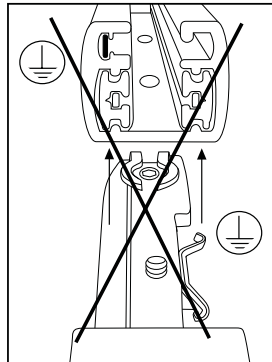
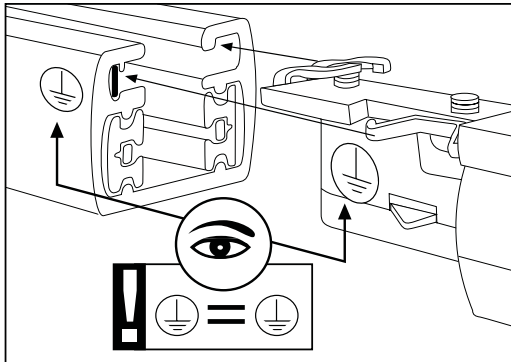
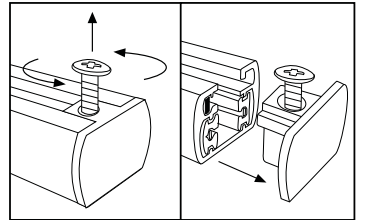
1x



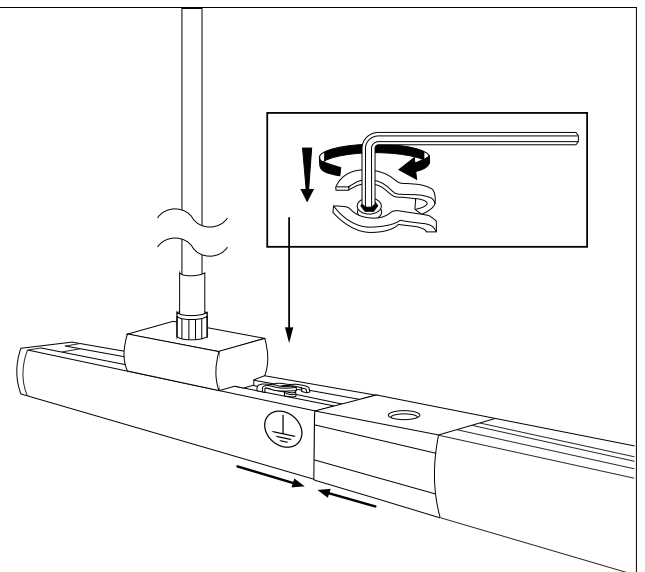
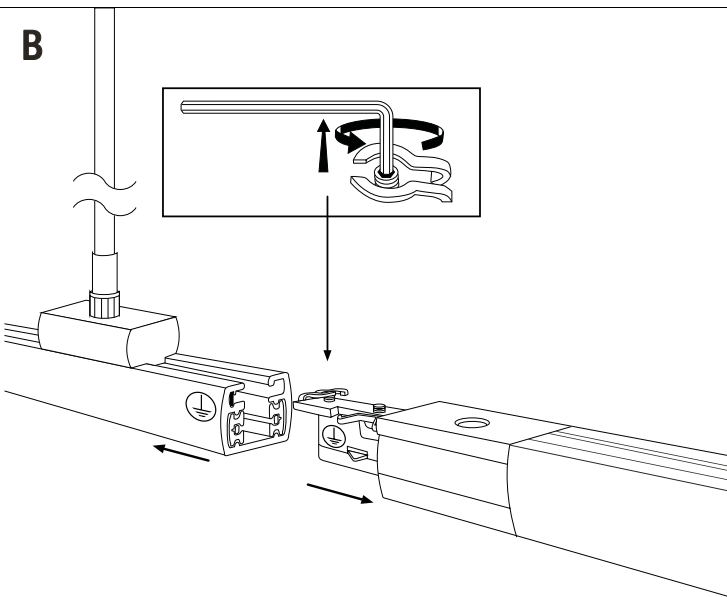
A



Safety Instructions
 Nr.0



B





0,1,2,4,6,11,15,18,22



Info Hotline **+49 (0) 5041 998 389**

Mon. - Do. 7⁰⁰ - 20⁰⁰

Fr. 7⁰⁰ - 17⁰⁰



Paulmann Licht GmbH
 Quezinger Feld 2
 31832 Springe/Germany
 www.paulmann.com

Art.-Nr.:

950.86

(+MA 173)
 PH 11/13 