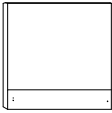
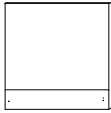
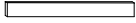
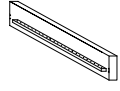


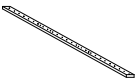

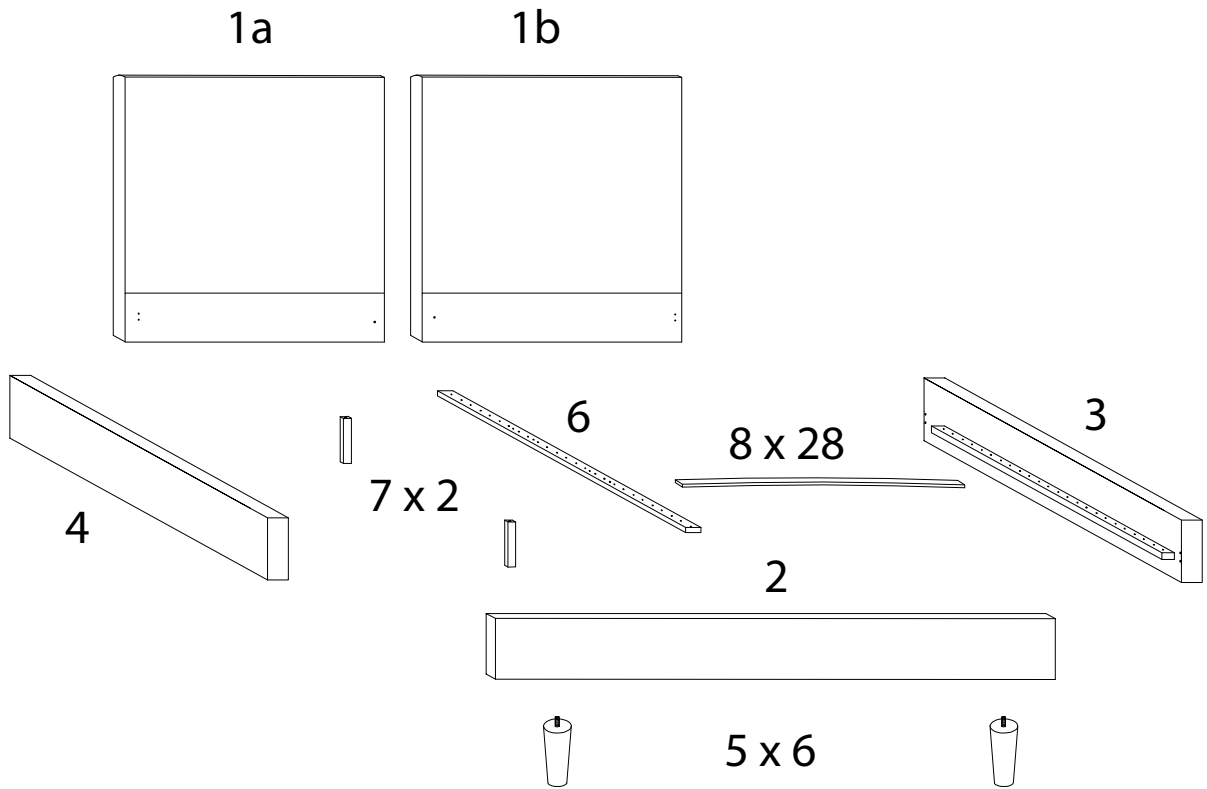

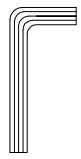
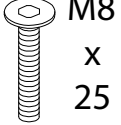
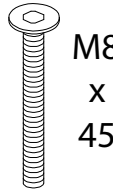

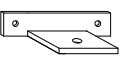
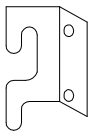
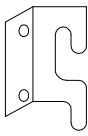



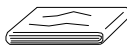
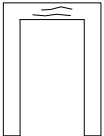


Diagram illustrating assembly steps and safety warnings:

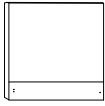
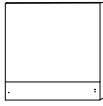
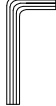

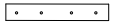
- Step 1:** Shows an L-shaped metal bracket being inserted into a slot. A power drill is shown with a diagonal line through it, indicating it should not be used. A warning triangle with an exclamation mark is present.
- Step 2:** Shows a rectangular block being placed on a slatted surface. A power drill is shown with a diagonal line through it, indicating it should not be used. A warning triangle with an exclamation mark is present.
- Time:** A clock icon indicates a duration of 30 minutes.
- Personnel:** An icon of a person indicates that 2 people are required for this step.

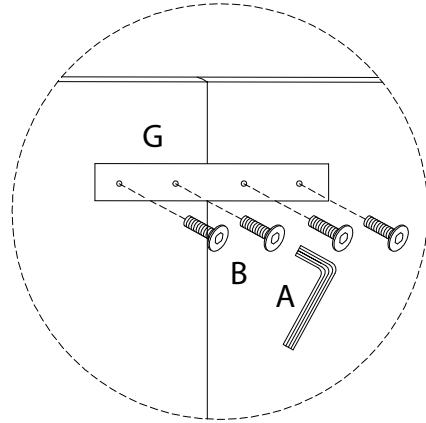
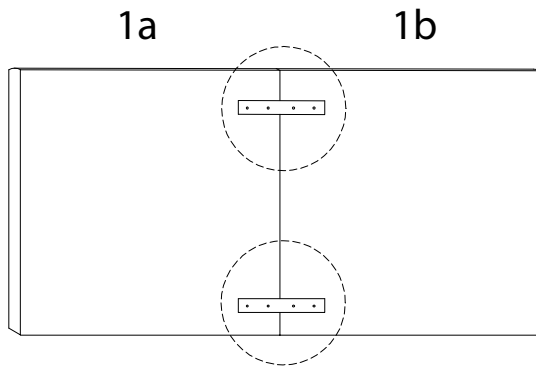
1a	1b	2	3	4	5	6	7
							
x 1	x 1	x 1	x 1	x 1	x 6	x 1	x 2




8	A	B	C	D	E	
						
x 28	x 1	x 28	x 2	x 2	x 2	
F1	F2	G	H	I	J	K
						
x 2	x 2	x 2	x 14	x 28	x 1	x 1

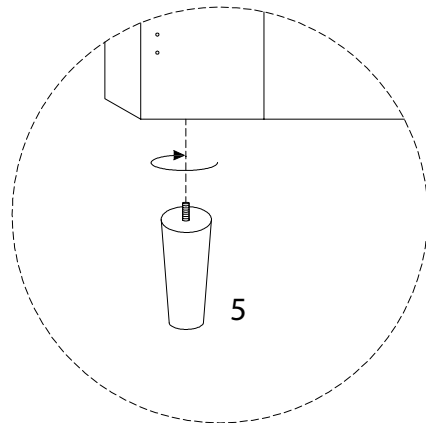
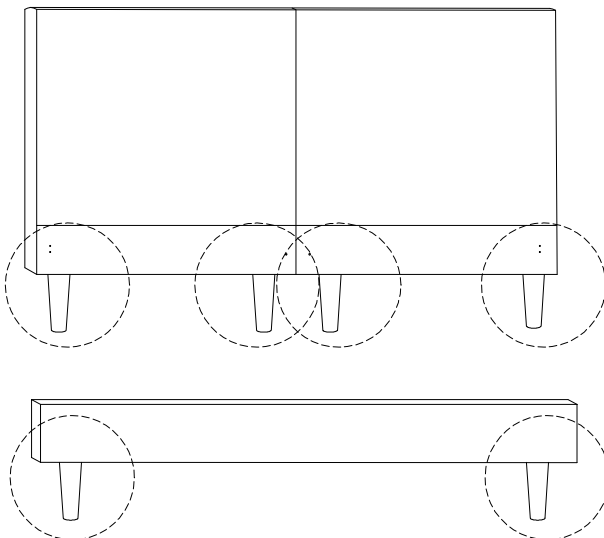
1

<b>1a</b>  x 1	<b>1b</b>  x 1	<b>A</b>  x 1	<b>B</b>  M8 x 25 x 8	<b>G</b>  x 2
---	---	--	---	--

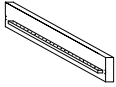


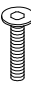
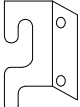
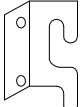


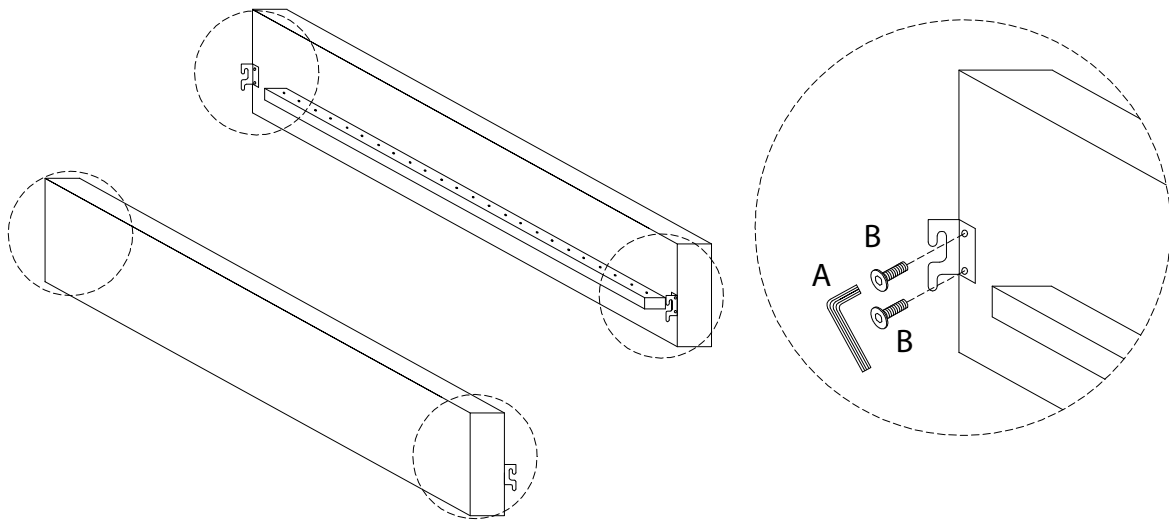
2

<b>5</b>  x 6
--

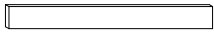
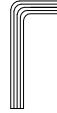
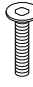


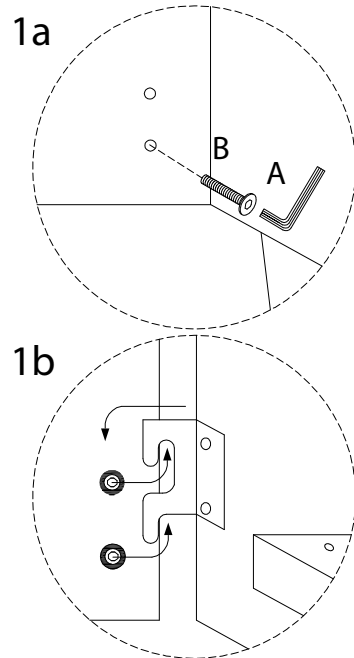
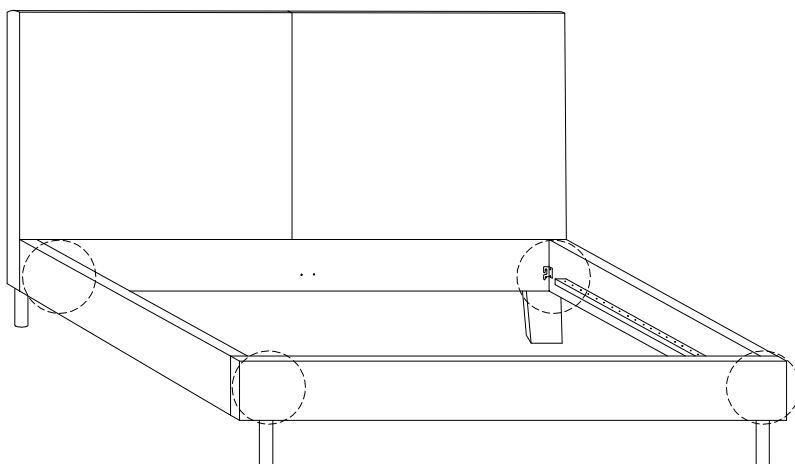
3

<b>3</b>  x 1	<b>4</b>  x 1	<b>A</b>  x 1	<b>B</b>  M8 x 25 x 8	<b>F1</b>  x 2	<b>F2</b>  x 2
--	--	--	--	---	---



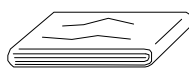
4

<b>2</b>  x 1	<b>A</b>  x 1	<b>B</b>  M8 x 25 x 8
--	--	--

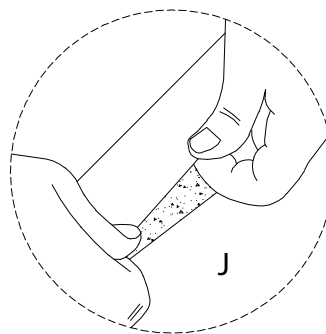
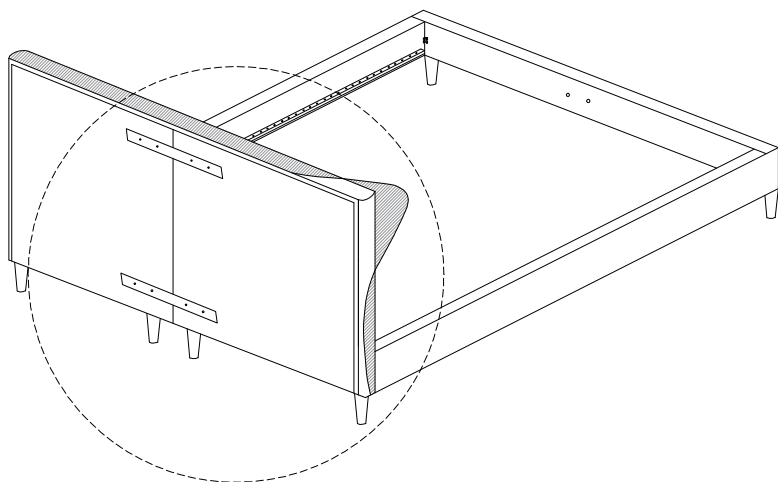


5

J

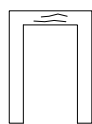


x 1

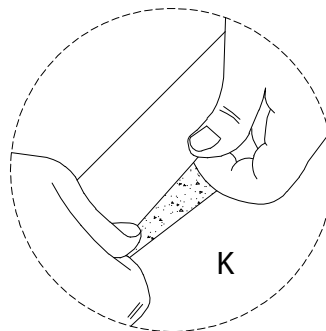
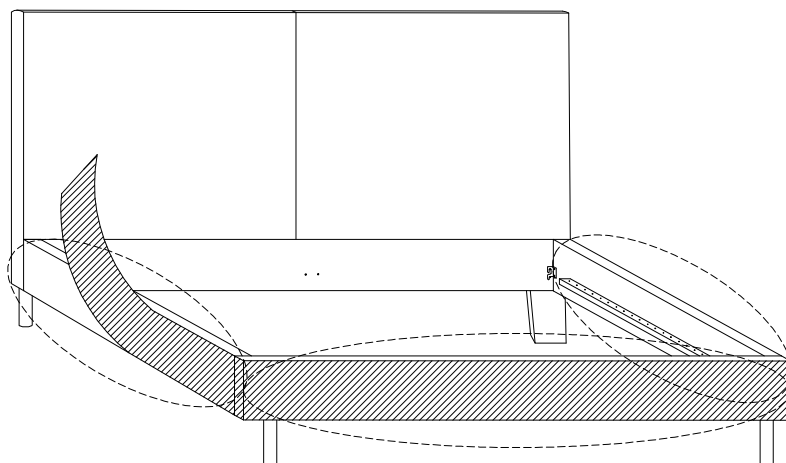


6




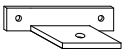
K

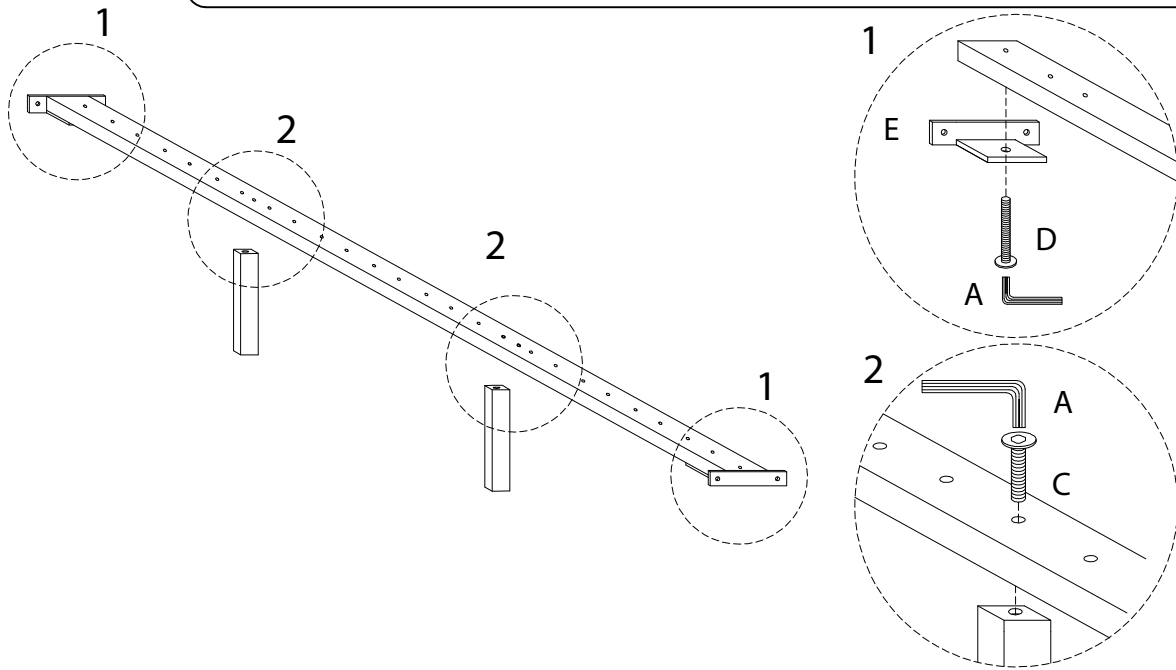


x 1

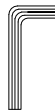


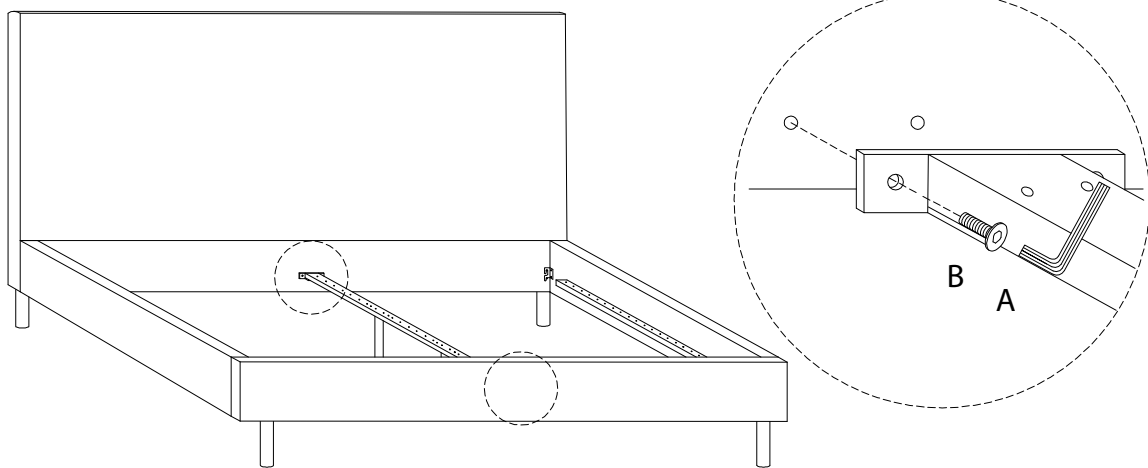
7

<b>6</b>  x 1	<b>7</b>  x 2	<b>A</b>  x 1	<b>C</b> M8 x 45 x 2	<b>D</b> M6 x 20 x 2	<b>E</b>  x 2
--	--	--	----------------------------------	----------------------------------	--

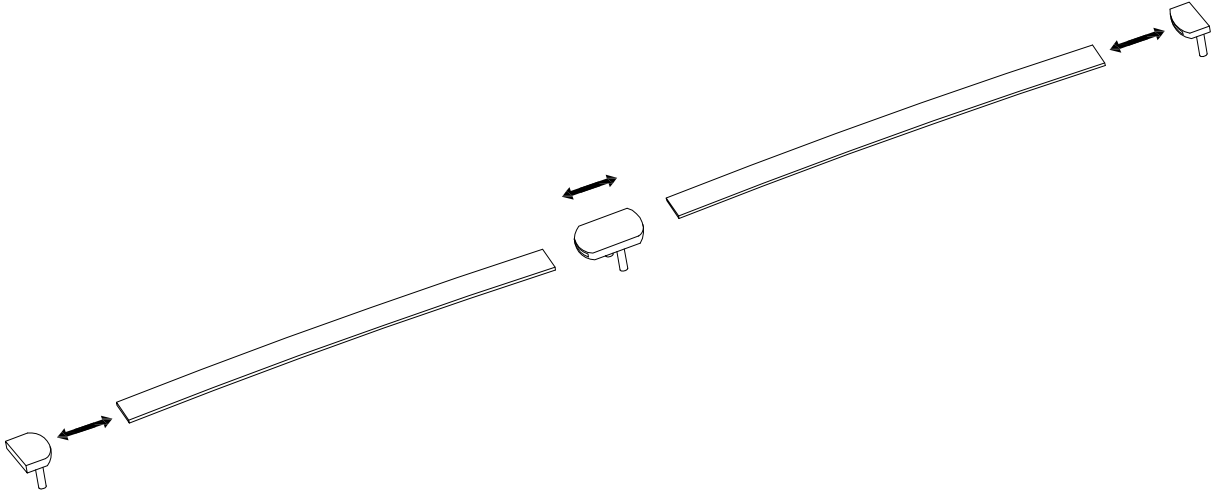
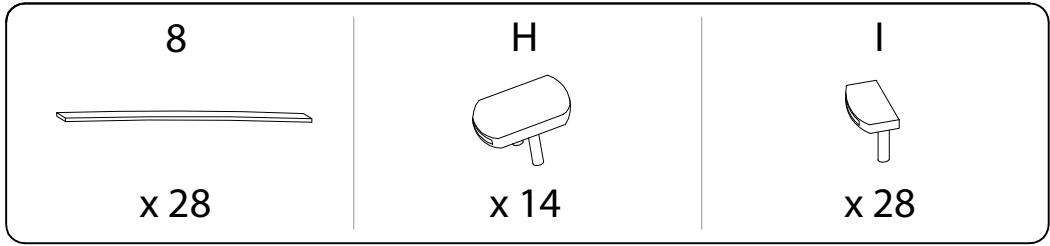


8

<b>A</b>  x 1	<b>B</b> M8 x 25 x 4
--	----------------------------------



9



10

