

Bowers & Wilkins

PI7
Wireless
Headphones

Welcome to Bowers & Wilkins and PI7

Thank you for choosing Bowers & Wilkins. When John Bowers first established our company, he did so in the belief that imaginative design, innovative engineering and advanced technology were keys that could unlock the enjoyment of audio in the home.

PI7 is a high performance in-ear headphone designed to deliver the highest quality mobile personal audio experience combined with the convenience of wireless operation and the serenity of noise-cancellation. This manual will tell you everything you need to know to get the most from your PI7 headphones.

Your PI7 can play music streamed wirelessly from your mobile phone, tablet or computer via Bluetooth. PI7 can also be used for wireless telephony.

PI7 Real World Listening features include our latest innovations in Adaptive Noise Cancellation, Ambient Pass-Through and enhanced Wear Sensing technologies. Our latest generation noise cancellation feature was designed from the ground up with intelligent environment sensing capabilities, automatically selecting the appropriate type of noise cancellation best suited to your surrounding environment, its only goal is to deliver an uncompromised listening experience. Ambient Pass-Through enables external sounds, such as conversation or safety announcements, to be heard clearly without any need to remove the headphones. The Wear Sensing feature enables PI7 to respond naturally, pausing and resuming the music simply by lifting either earpiece on or off your ear. These features can be enabled and further customised via the Bowers & Wilkins Headphone App available for free on iOS and Android devices.

PI7 incorporates a rechargeable battery case. When fully charged, depending on the degree of Bluetooth, Adaptive Noise Cancellation and Ambient Pass-Through use, the battery case can provide up to 20 hours of continuous wireless media streaming with noise cancellation enabled at average playback volume levels.

1. PI7 Carton Contents

- PI7 Headphones with Ear Tips (M)
- Charging Case
- USB-C Charging and USB-C to 3.5mm Audio Cable
- Ear Tips (S/L)
- Literature Pack

2. Getting to know your PI7

2.1 Switching Headphones On and Off

Switching On/Off

PI7 does not have a power control, instead the power management is automatic. Your PI7 earbuds will automatically charge when placed into the charging case, and will be ready to use when they are removed from the case.

When your earbuds are removed from the charging case, and not used for 5 minutes, they will enter a power saving mode. To exist power saving mode, start using the earbuds again by connecting your paired device, streaming audio or placing the earbuds into your ears.

2.2 Headphone Controls

Each earbud has a Multi-function button located on the top cap of the earbud, see Diagram 1. The Multi-function button controls are as follows:

Media Playback:

Function	Action
Play or pause	Press the Multi-function button once.
Play to next track	Press the Multi-function button twice in quick succession.
Play previous track	Press the Multi-function button three times in quick succession.

Phone call functionality:

Function	Action
Answer call	Press the Multi-function button once with incoming call.
End call	When incoming call occurs, press the Multi-function button twice in quick succession.
Decline an incoming call	Press the Multi-function button twice in quick succession with incoming call.

3. Intelligent Features

3.1 Adaptive Noise Cancellation

Noise cancellation is a series of advanced technologies that aids in removing undesired noise from the surrounding environment.

PI7 features our latest innovations in adaptive noise cancellation, this includes intelligent sensing that adapts noise cancellation and tuning best suited to your surrounding environment. As your surroundings change, noise cancellation will auto adapt to complement your new environment.

The noise cancellation features is activated by pressing the left (L) earbud Multi-function button for 1 second, additional 1 second presses cycle through the modes: On, Auto or Off. See Diagram 2 for button location.

Mode	Application
On	Removes undesired noise from the surrounding environment.
Auto	Intelligently adapts noise cancellation best suited to your current environment.
Off	Turns off the noise cancellation feature.

3.2 Voice Assistance

Voice Assistance is activated by pressing the right (R) earbud Multi-function button for 1 second. See Diagram 2 for button location.

3.3 Ambient Pass-Through

PI7 features ambient pass-through which lets some external noise from the surrounding environment, such as safety announcements or conversations, to be heard without taking the headphones off.

Ambient pass-through can be enabled or disabled through Bowers & Wilkins headphone App. The level of ambient pass-through, High/Low/Off, can be adjusted to suite your needs through the App.

3.4 Wear Sensors

PI7 incorporate our latest enhanced wear detection sensors in both earbuds. The sensors enable intelligent battery conservation by entering power saving mode when removed from the ears. When worn again, PI7 automatically wakes and connects to the last connected Bluetooth device.

The sensors will also pause audio when the earbuds are removed from your ears. Playback will auto resume when the earbud is placed back in the ear. Auto resume has been further optimised so it is ready only when you are.

Wear sensor can be turned off from the Bowers & Wilkins Headphone App.

Note: Take special care when wearing your earphones, hair or accessories trapped between your ears and the earbuds may interfere with proximity sensing.

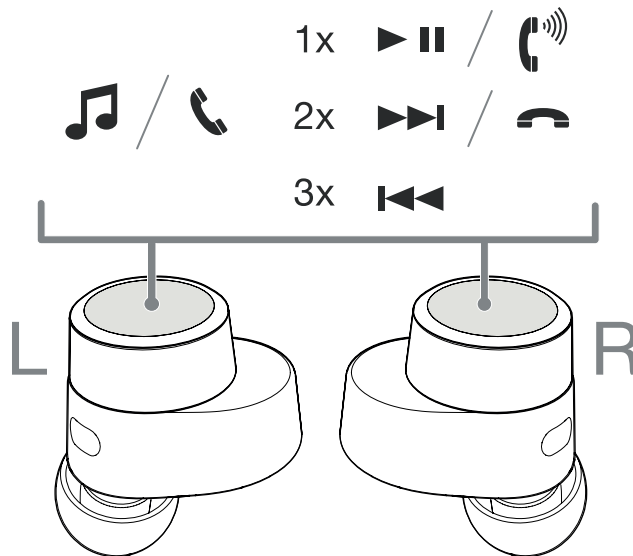


Diagram 1
Multi-function button

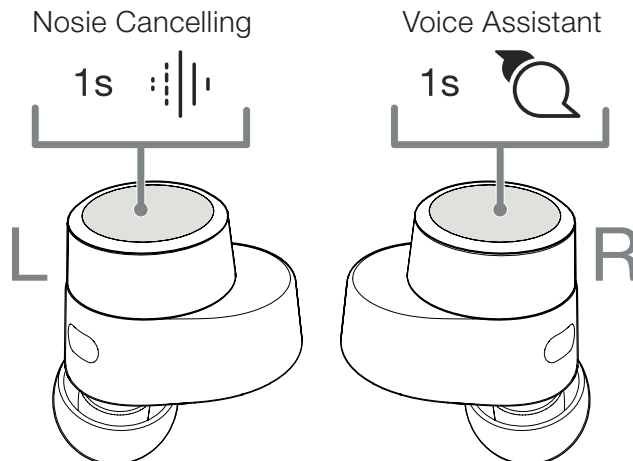


Diagram 2
Headphone controls

4. Stowing the Earbuds

When not in use, the PI7 earbuds should be stored inside the charging case where they will be recharged ready for future use.

5. Battery Charging

PI7 ships with the case and earbud batteries partially charged and may be used immediately. For best practice we recommend fully charging the earbuds before first use. Please allow up to 3 hours for full charge.

To charge the PI7 earbuds:

1. Place the PI7 earbuds in the charging case.
2. Close the charging case lid.

To charge the PI7 charging case:

1. Use the supplied USB charging cable and connect the USB plug to a USB wall charger or a powered computer USB socket.
2. Then connect the USB-C end to the charging case USB-C socket.

Note: During charging, the case indicator will blink green. When fully charged, the indicator will remain illuminated. The case can be charged with or without the earbuds being housed inside the case.

To charge the PI7 case with a wireless charging station:

1. Place the charging case onto a wireless charging station.
2. Ensure that the rear of the charging case is on the charging station (with the case indicator facing up).

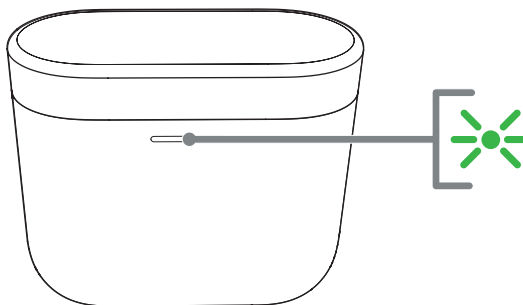
Note: During charging, the case indicator will blink green. When fully charged, the indicator will remain illuminated.

5.1 Status Indicator

The status indicator is located on the front of the case. When the earbuds are placed in the case the LED provide information about the earbuds. When the earbuds are removed from the case the LED provides information on the charging case. See Diagram 3 for LED states.

5.2 Checking Battery Levels

You can check the case battery level by pressing the button on the outside of the case once. When both earbuds are stowed in the case, press the same button twice to see the earbuds battery level. See Diagram 4 for button location.



With the earbuds in the charging case

illumination		Operational state
Green (case lid open)		Earbud battery charge > 40%
Yellow (after power on)		Earbud battery charge >20%, <40%
Red (after power on)		Earbud battery charge <20%
Red (blinking)		Earbud factory reset
Red (solid)		Hardware reset / system crash
Blue (blinking)		Pairing mode enabled
Blue (3 sec solid)		Pairing successful

With the earbuds removed from the charging case

illumination		Operational state
Green (case lid open)		Earbud battery charging > 40%
Yellow (after power on)		Earbud battery charging >20%, <40%
Red (after power on)		Earbud battery charging <20%
Red (blinking)		Factory reset
Red (solid)		Hardware reset / system crash

Diagram 3
Status indicator illuminations

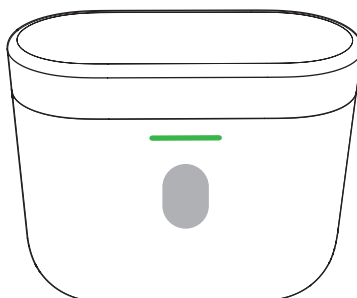


Diagram 4
Case and earbud battery indicator

6. Bluetooth Connectivity

6.1 Pairing

Your PI7 earphones are designed to stream music wirelessly from Bluetooth audio devices, such as smartphones, tablets, or computers. To do so, the earphones and device must first be paired.

When you receive your PI7 earphones they will be ready to pair to any Bluetooth audio device.

6.1.1 iOS System / Android System without Google FastPair.

1. Download the Bowers & Wilkins Headphone App.
2. Open the case lid, the case indicator will flash blue.
4. Go to the Bluetooth pairing menu of your device and select the "Bowers & Wilkins PI7" from the device list.
6. The case indicator will change to solid blue to indicate pairing is successful.
7. Open the Bowers & Wilkins app and add the headphones.

Note: Your earphones will automatically exit Bluetooth pairing mode if no device is paired within 5 minutes. If pairing fails, the indicator will rapid flash blue, please try pairing again.

To pair to a subsequent device. See Diagram 4:

1. Open the case lid with the earbuds placed inside the case.
2. Press and hold the button inside the case for between 1 and 5 seconds, the case indicator will flash blue.
4. Go to the Bluetooth pairing menu of your new device and select the "Bowers & Wilkins PI7" from the device list.
6. The case indicator will change to solid blue to indicate pairing is successful.

PI7 can remember up to 3 paired Bluetooth Devices. Repeat the above steps to pair more devices.

Note: Your earbuds will automatically exit Bluetooth pairing mode if no device is paired within 5 minutes. If pairing fails, the indicator will rapid flash blue, please try pairing again.

6.1.2 Google FastPair (For Android System integrated with GFP Feature)

To add your headphones:

1. Place the case no further than 10cm (4 inches) away from Android device (BT enabled) and open the PI7 case lid.
2. A GFP (Google FastPair) notification window will pop up showing "Bowers & Wilkins PI7 detected" and request to start the pairing process.
3. Press "Notification" button on the window to enable the pairing, successful connection will be shown in GFP window.
5. Once paired:
 - o GFP window will direct you to the Google Play store to download and Install the Bowers & Wilkins App.
 - o L/R Earbud and case Battery Level can be seen on the GFP window

6.2 Disconnect from a Device

You can quickly disconnect PI7 from a device by putting the earbuds back to the case. Alternatively, you can manage connection in further detail using the Bowers & Wilkins Headphones app under Connections.

6.3 App features

The Bowers & Wilkins Headphones app provides extended setup and adjustments to features such as Adaptive Noise Cancellation, Ambient Pass-Through, and Wear Sensors. The app also provides further customisations such as voice prompt, level of ambient pass-through, connection management, and headphone software updates. The app is available as a free download on iOS and Android devices.

To add your headphones:

1. From your mobile device, download and install the Bowers & Wilkins Headphones app.
2. Launch the app, then read and follow the instructions pertaining app notification and permissions.
3. After reaching the main screen, simply tap + and following the in-app instructions.

6.4 Headphone Software Update

Bowers & Wilkins will occasionally make available software updates that refine and optimise the performance of your headphones or add new features.

The Bowers & Wilkins Headphones app will notify you when a software update is available, tap on the notification and follow the in-app instructions.

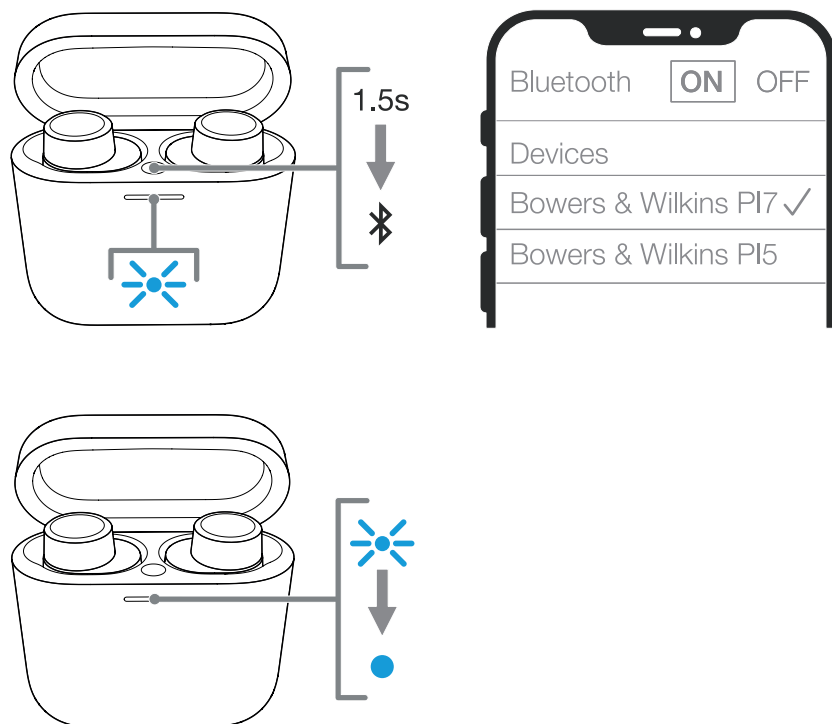


Diagram 4
Bluetooth pairing - subsequent device

7. Wearing Your Headphones

Wearing your headphones correctly will help ensure you get the best possible experience, see Diagram 5. Like many in-ear earphones, PI7 earbuds are designed to seal the ear canal in order to perform optimally. Ear tips come in three sizes (small, medium and large). Finding the proper size for your ear is critical to obtaining a good seal and ensure PI7, and the advanced features such as Adaptive Noise Cancellation, perform optimally.

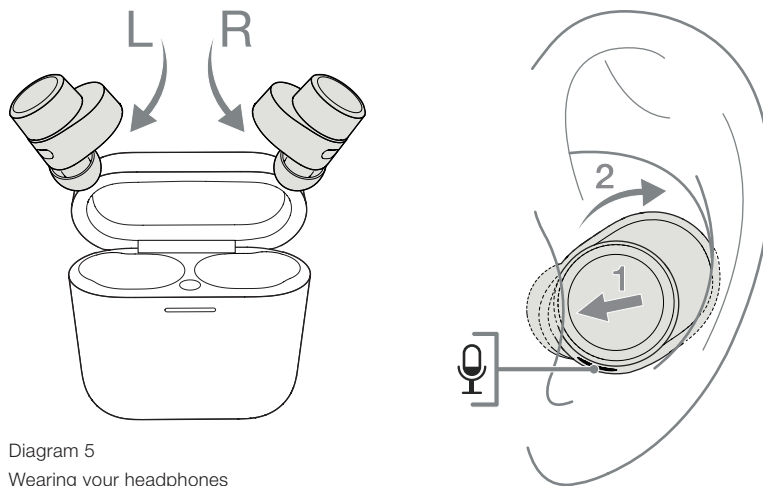


Diagram 5
Wearing your headphones

1. Identify the left and right earbud by finding the L and R identification located on the inner side on each earbud.
2. Place the earbuds in your ear and twist the ear bud backwards slightly so that the tips engages comfortably with the opening of the ear canal.
3. If the earbud tip feels to large or small try another size ear tip to ensure the best possible fit.

Note: To optimise call quality, please ensure the microphone located underneath the earbud is facing outward, see Diagram 5.

8. Media Streaming

8.1 Connecting your case to media source with the supplied USB type-C-to-3.5mm or USB type-C-to-C Cable for media streaming, see Diagram 6.

1. Connect the supplied cable to the case and the source device.
2. Your PI7 will automatically start streaming.



Diagram 6
Media streaming

Note: For Mac user, for the 1st time streaming, go to output control under Sound Setting and select "Bowers & Wilkins PI7"

8.2 Pairing secondary/subsequent headphone (ONLY Bowers & Wilkins) to the case for media streaming, see Diagram 7.

Your case can also pair with another Bowers & Wilkins Headphone for media streaming

1. Connect the supplied cable to the case and the source device.
2. Press and hold the outside button for 3 seconds until the LED flashing blue light.
3. Switch the headphone into pairing mode.
4. The case LED will change to a solid blue light to indicate the connection completed.
5. Once paired, Press the external case button:
 - 1x to START the streaming
 - 2x to STOP the streaming

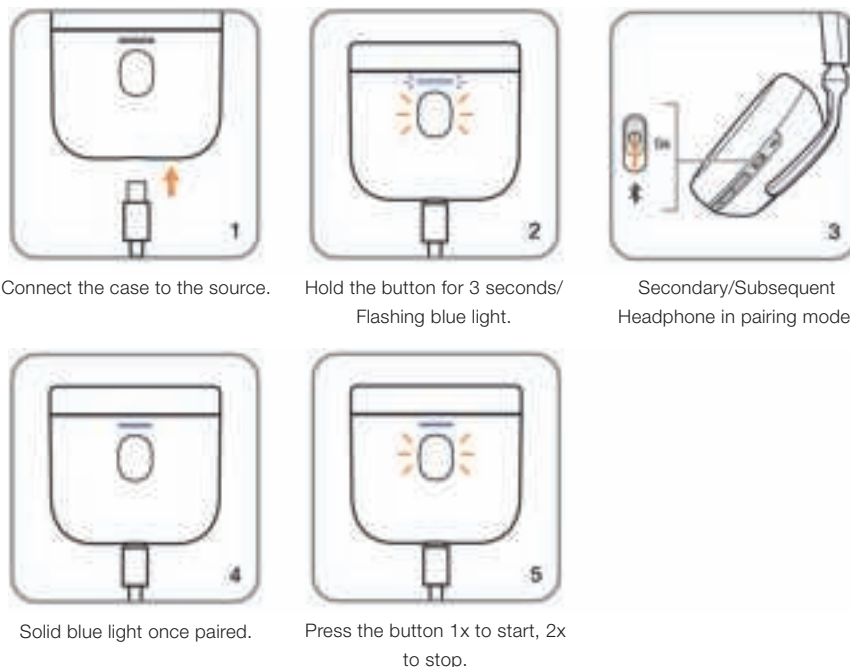


Diagram 7
Secondary / subsequent headphone streaming

Note: Both earbuds have to be inside the case while using the secondary headphone. Once the subsequent headphone is paired, the paired history will be deleted.

9. Reset/Troubleshooting

9.1 Factory Reset

You can clear the paired device history and restore all settings to their defaults.

To factory reset the earbuds, open the charging case with the earbuds placed inside. Press and hold the button on the inside of the case for 5 seconds and release. The indicator on the case will turn red to indicate the reset.

NOTE: In the case of earbuds are not functioning properly, please perform a factory reset to resolve the issue.

9.2 Hard Reset

To hard reset the earbuds, open the case with the earbuds placed inside. Press and hold the button inside the case for 15 seconds until LED indicator goes off and illuminates in green to indicate completion of hard reset process.

NOTE: For a serious system crash (solid red LED light), please perform a hard reset.

10. Caring For Your Earphones

Your earbuds can be cleaned by a damp cloth and gently dabbing until clean. Do not use cleaning detergents, rubbing alcohol, or chemical cleaners/polish, doing so may damage your earbuds.

11. Service / Support

If you need help troubleshooting a specific problem, or simply have a question you would like answered, please initially consult the Headphone support section of the Bowers & Wilkins website: www.bowerswilkins.com.

Specifications

Technical Features	True Wireless technology Bluetooth 5.0 with AptX Adaptive technology Auto ANC Audio streaming from charging case Wireless and USB-C charging Fast charging support
Bluetooth Codecs	AptX – Adaptive AptX – HD AptX – Low Latency AptX – Classic AAC SBC
Bluetooth Profiles	A2DP v1.3.1 AVRCP v1.6.1 HFP v1.7.1 HSP v1.2 BLE GATT (Generic Attribute Profile)
Frequency Band	Tx mode: 2402MHz to 2480MHz, ISM Band Rx mode: 2402MHz to 2480MHz, ISM Band
RF output power	< 0r =10.0 dBm
Drive Units	9.2mm Dynamic Drive with Balanced Armature
Frequency Range	10Hz to 20kHz
Distortion (THD)	<0.3% (1kHz/10mW)
Battery Life	Up to 4 hours Bluetooth
Charging	15 minute charging = 2 hrs Bluetooth
Inputs	Bluetooth
Boxed Accessories	20cm USB-C to USB-C cable
Weight	8g for earbuds, 50g for charging case