



.Model:89173

.Type:Halogen Light

.Illuminant:GU10 halogen bulb

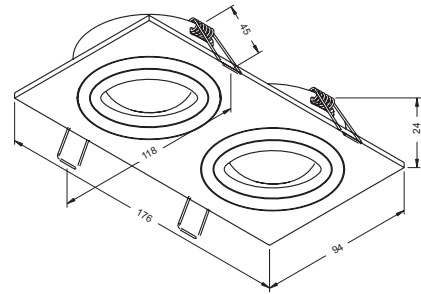
.Technical Specifications:

.Voltage:220~240V 50Hz/60Hz

.Power:GU10 bulb Max.50W

.IP Grade:IP20

.Safe Grade:Class II



Installation:

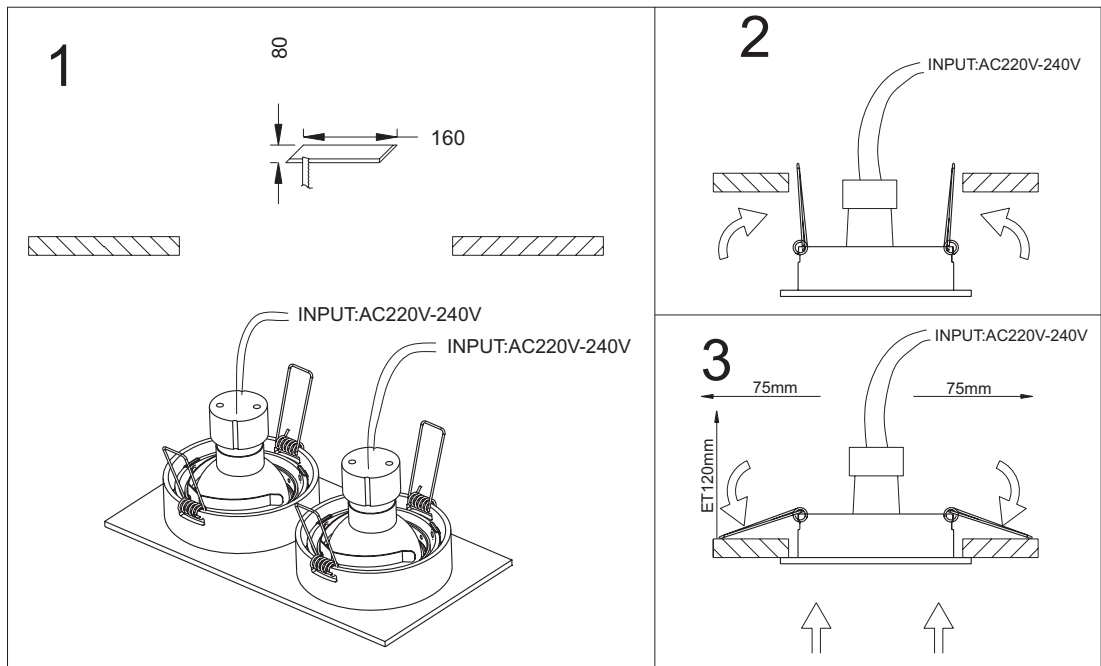
.Switch off the power before installation;

.Cut hole 160x80mm;

.Connect the wire according to the drawing;

.Install the bulb into the lampholder.

.Turn the springs on both back sides up a certain angle by hand, which will make the lamp body and spring enter into the setting hole. Then adjusting the lighting fixture to a right position after it is fixed successfully;



Recommendation for safety:

.Install the lighting fixture by professional only;

.Make sure power is off before installing;

.Do not touch the bulb when it lights on;

.Always turn off the power for few minutes before handling or replacing the bulb;

.Allow distance of at least 0.5m between the lamp and light surface;

.Use only dry cloth to clean the bulb, do not use cleanser or chemical cleaning products;

.The actual use power should not override the rated power.