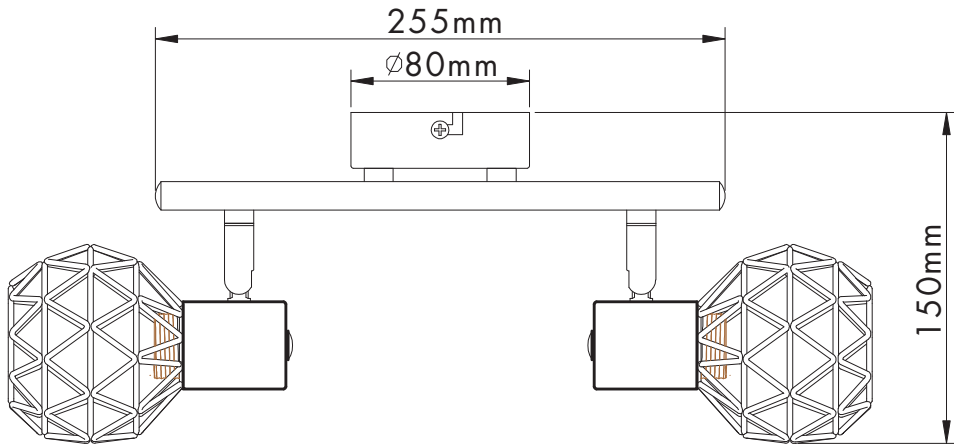
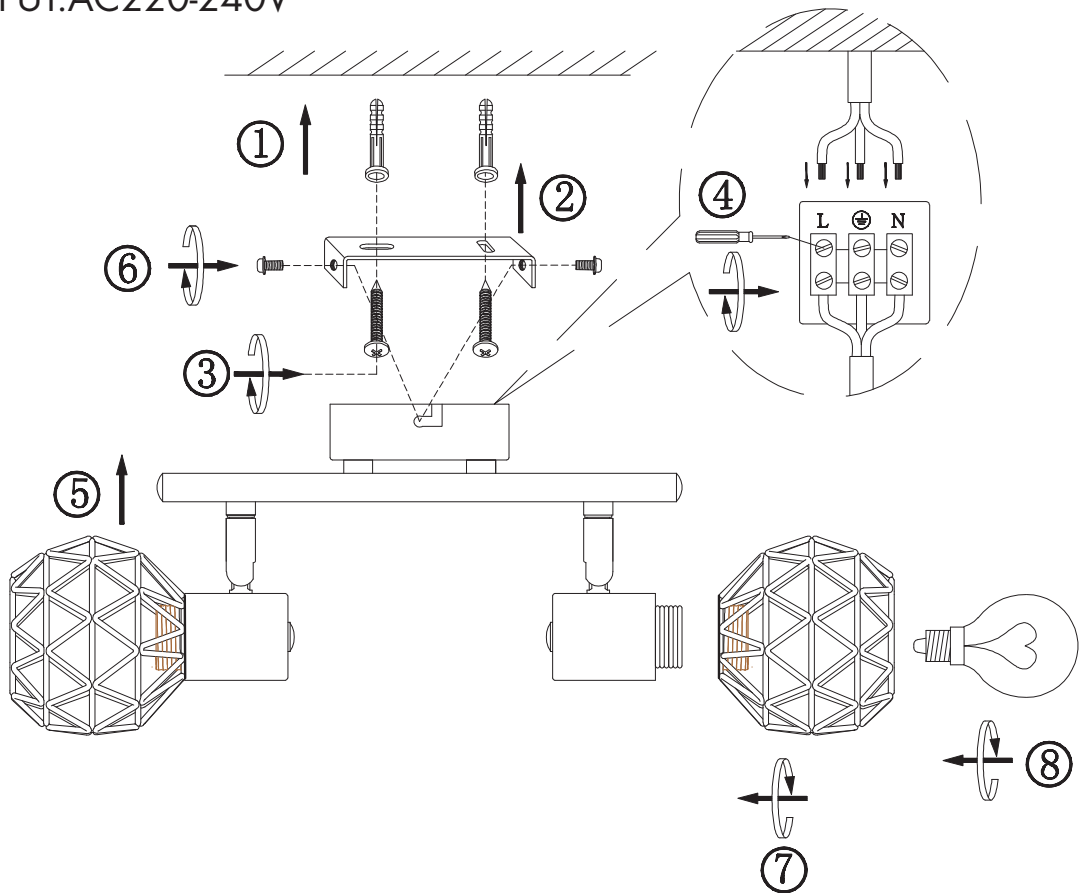


# INSTRUCTION MANUAL

Mesh SL 2 Copper  
92289



INPUT:AC220-240V



220-240V  
50~60Hz  
E14  
Max.40W

