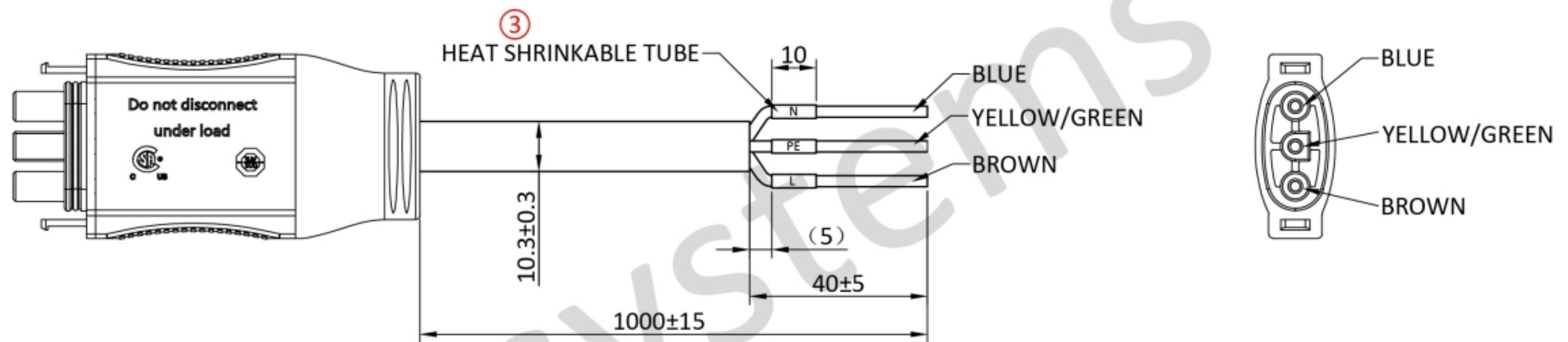




CHANGE NO.	CHANGE CONTENTS	REV.	NAME/DATE
①	Update electrical parameters	0.1	LI 2019-2-28
②	Change the part name	0.2	YFT 2019-7-26
③	Change the label to heat shrinkable tube	0.3	YFT 2020-5-22
④	Update part name; Update electrical parameters	0.4	YFT 2022-6-13
⑤	Update electrical parameters	0.5	YFT 2022-6-30



mm ²	COLOR	LABEL
2.5	BROWN	L
	BLUE	N
	YELLOW/GREEN	PE

Notes:

- Cable: ◀VDE▶ H07RN-F 3G2.5mm² KTL SU01048-6004 SAA101170EA GP-85-PCP 0.6/1.0KV HEAVY DUTY 450/750V WUXI ZHONGHUI WIRE & CABLE CO., LTD CCC A005618 60245 IEC66 (YCW) 3×2.5mm² 450/750V WUXI SHI ZHONGHUI XIANLAN YOUXIAN GONGSI
- Waterproof rating: IP67;
- Wiring: BROWN-L, BLUE-N, YELLOW/GREEN-PE;
- ①④⑤ Electrical parameters:
 Working voltage rating: 600V
 Working current rating cable 23A
 Resistance voltage: AC 2500V 50mA 1 Minute
 Conductor resistance: 7.98Ω/km
 5. Use blank cartons for packaging

TOLERANCES UNLESS OTHERWISE SPECIFIED		MATERIAL		
> 0-100 ±5	> 2500-3500 ±45			
> 100-500 ±10	> 3500-4500 ±50			Single Phase Br. ②④
> 500-900 ±15	> 4500-5500 ±65			Ext-Cable(2.5mm ² ,1m)
> 900-1300 ±25	> 5500-6500 ±80			DRAWING NO.
> 1300-1800 ±30	> 6500-8000 ±90			
> 1800-2500 ±35	> 8000-10000 ±100			
DWN.	UNIT mm			
CHK.	SHEET -- OF --	REV. 0.5		