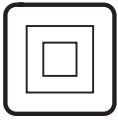


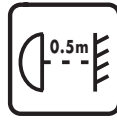
INSTRUCTION MANUAL



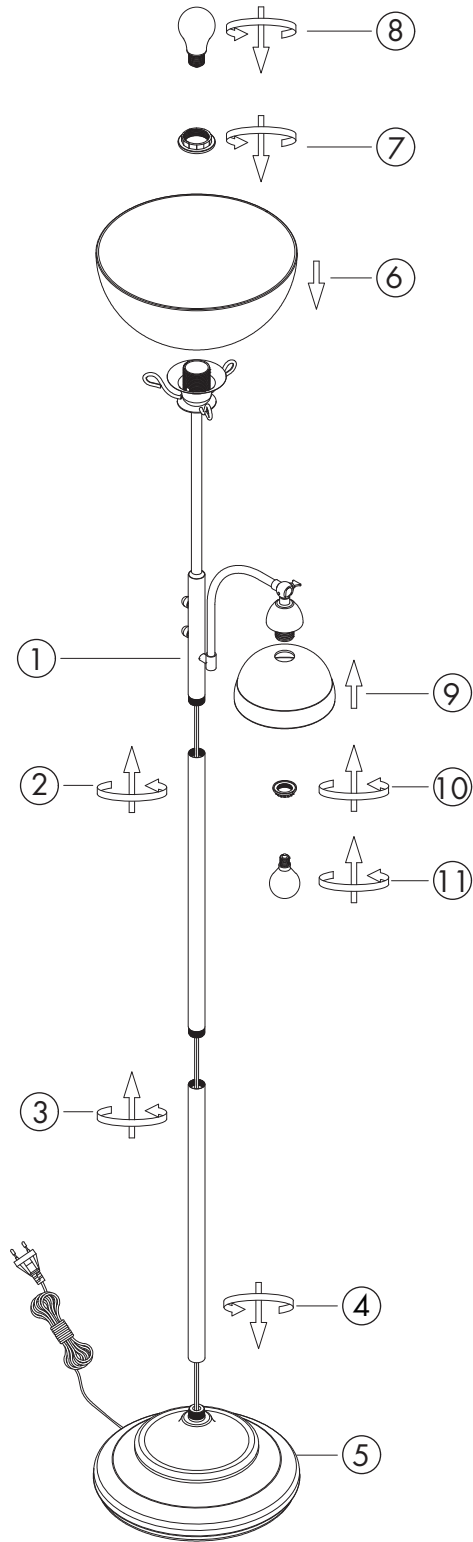
220-240V~
50Hz

Max. Ø80mm
E27 Max.100W

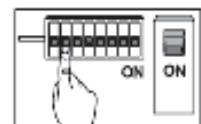
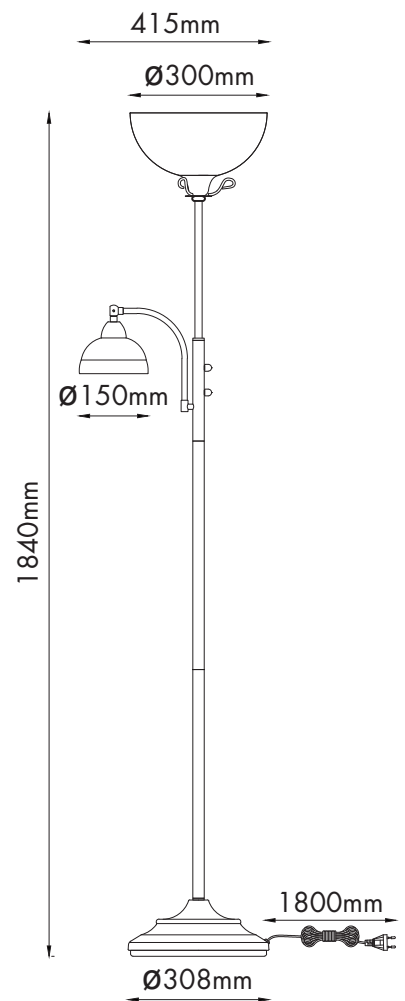
Max. Ø45mm
E14 Max.40W



Dallas FL Brown
93311



Overall Sizes:



FittinQ B.V.

Smaragdweg 52, 5527 LB Hapert, The Netherlands
www.qazqa.nl

QAZQA