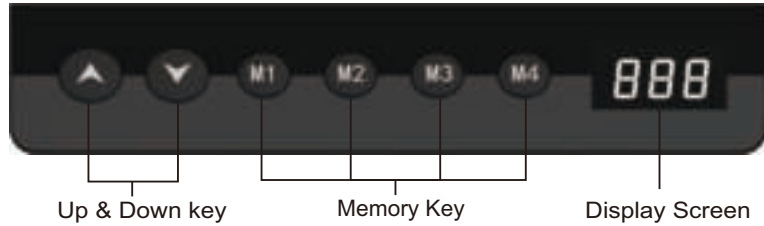


# Handset Instruction



The whole handset surface is a button panel. If there is no press within 30 seconds, the screen is locked and M1/M2/M3/M4 keys are locked correspondingly, you should press Up or Down key first, it can be used when the display screen light up.

### ■ Up or Down Key

To adjust the height of the desk, keep pressing on "up" or "down" until it fits your best position.

### ■ Display screen

Display the height value of the desk.

### ■ Memory Key (M1/ M2/ M3/ M4)

After setting memory keys, the desk can lift automatically to memory height.

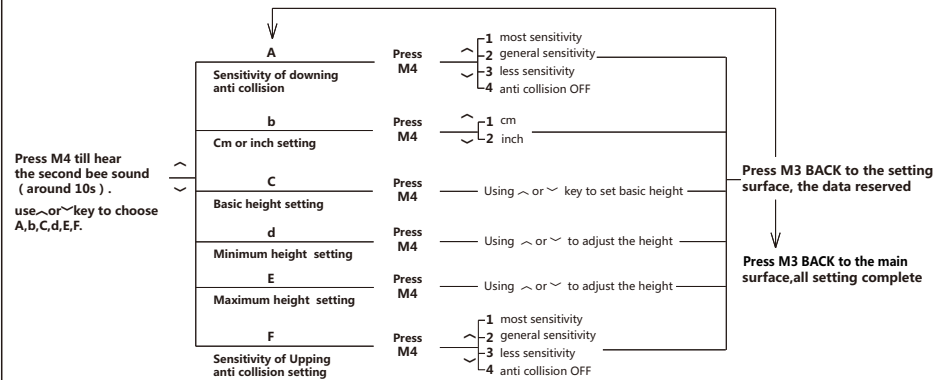
※ How to set memory mode

Please keep pressing M1/M2/M3/M4 key for 5 seconds, until "be" sound, the memory height is successfully saved. Then press M1/M2/M3/M4, the desk moves to memory height automatically.

### ■ Safety function

When the desktop is on the rise or down, encountered reverse resistance, the desk will rebound.

### ■ Setting solution for desk function

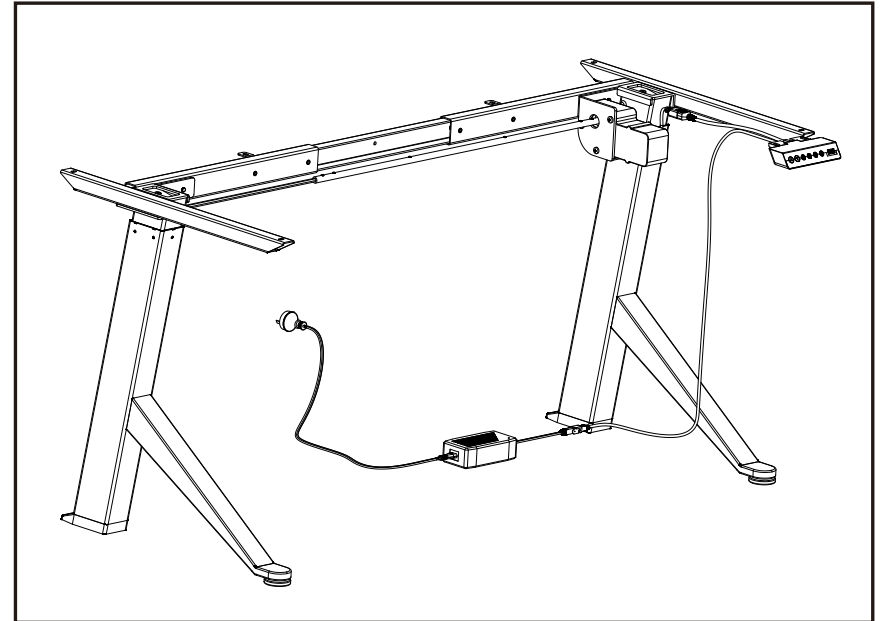


### ■ Handset shows error code and solution

Error code	Fault cause	Solution
ER1	Motor stop	Power off and restart. If fault still exists, it is motor problem.
ER5	Overload protection	Legs load > 120kg, display ER5. Lighten loads, power off and restart.
Hot	Continuous operation for 2 to 5 minutes.	Power protection, automatic recovery after ten minutes ※ with power on.

(181220)

# Y-Desk Electric Height adjustable desk frame



# Y-Desk Electric Height adjustable desk frame

## Electric Control Part:

Input Voltage:100-240V can be use  
Output Voltage:29V DC 1.8A  
Duty cycle:10%MAX 2min on 18 min off  
Switch power supply,low energy consumption  
Manual device can move and long press

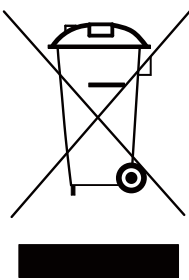
## Desk frame part:

built-in limit switch  
Dynamic load:80KG  
The maximum static load:100KG  
Load speed:30mm/s

## Safety and warnings

This appliance can be used by children aged from 8 years and above and persons with reduced physical,sensory or mental capabilities or lack of experience and knowledge if they have been given supervision or instruction concerning use of the appliance in a safe way and understand the hazards involved.Children shall not play with the appliance.Cleaning and user maintenance shall not be made by children without supervision.

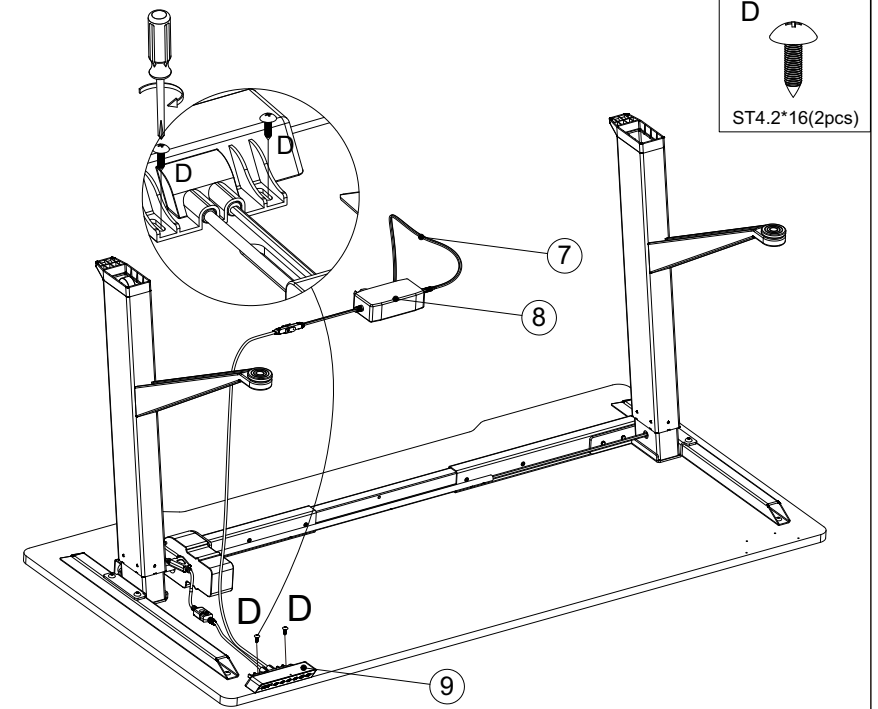
## Correct Disposal of this product



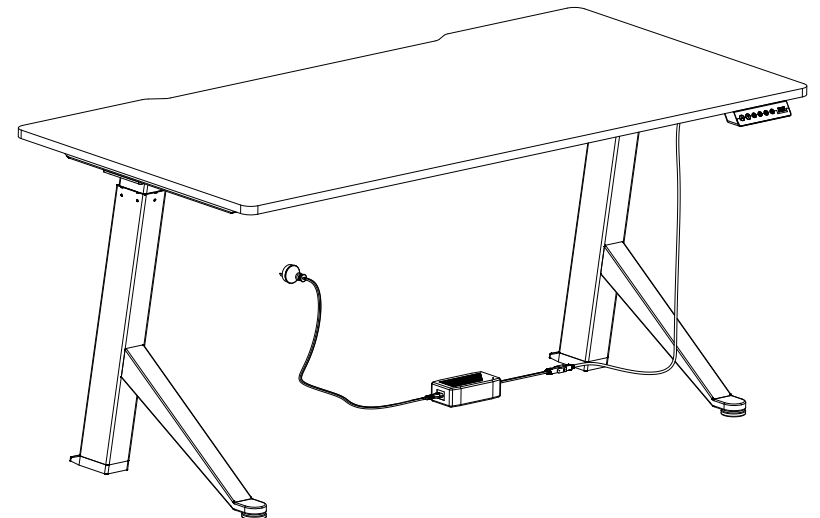
**This marking indicates that this product should not be disposed with other household wastes throughout the EU. To prevent possible harm to the environment or human health from uncontrolled waste disposal ,recycle it responsibly to promote the sustainable reuse of material resources.To return your used device,please use the return and collection systems or contact the retailer where the product was purchased.They can take this product for environmental safe recycling.**

## Installation instruction

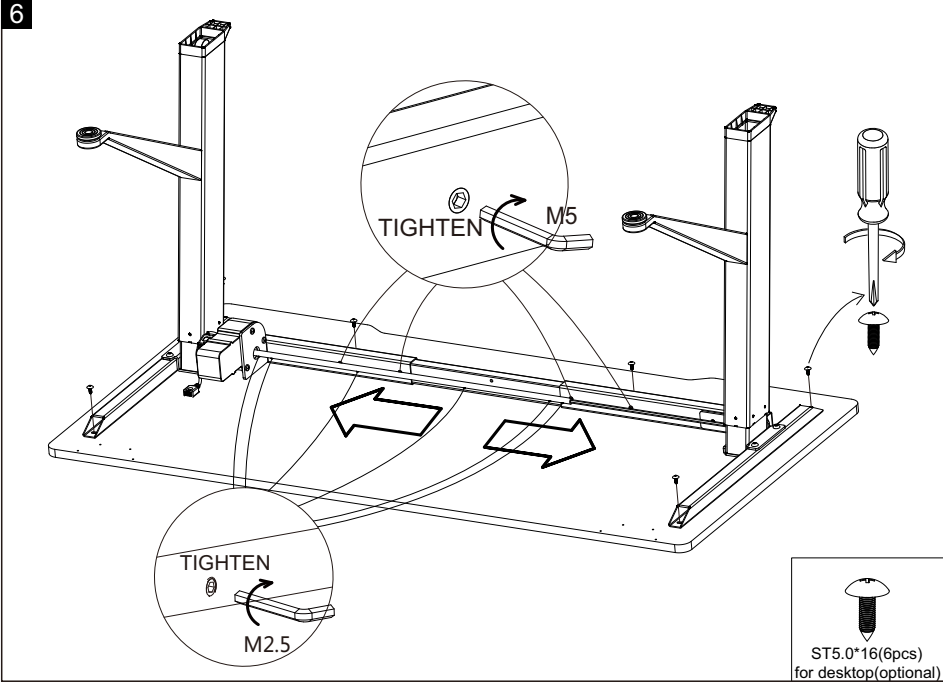
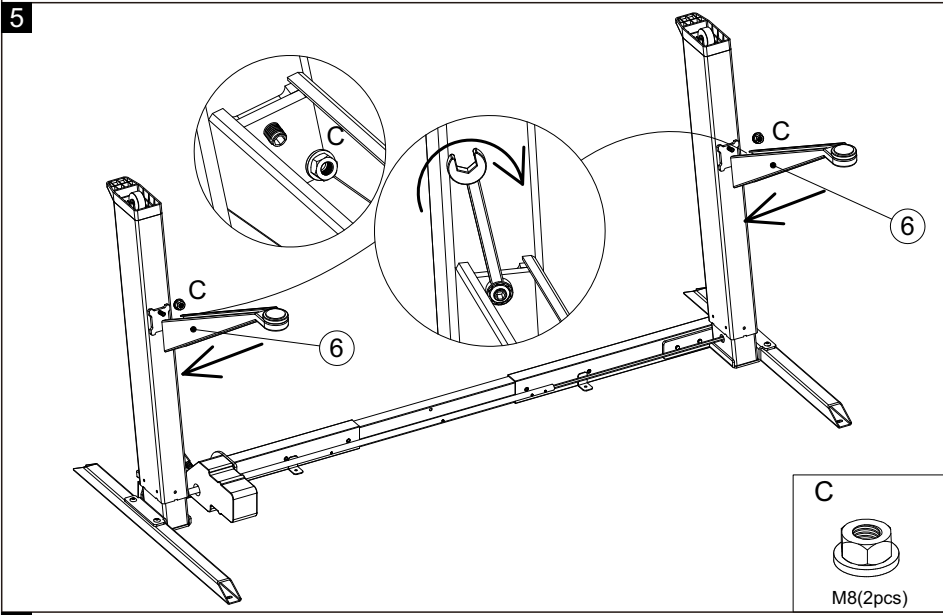
7



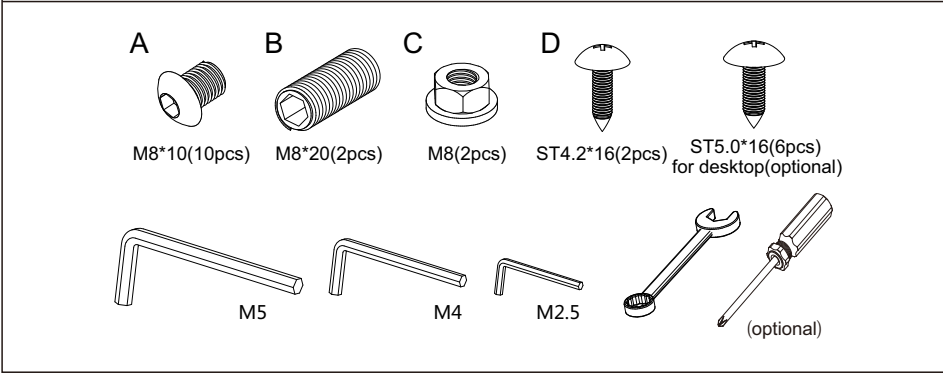
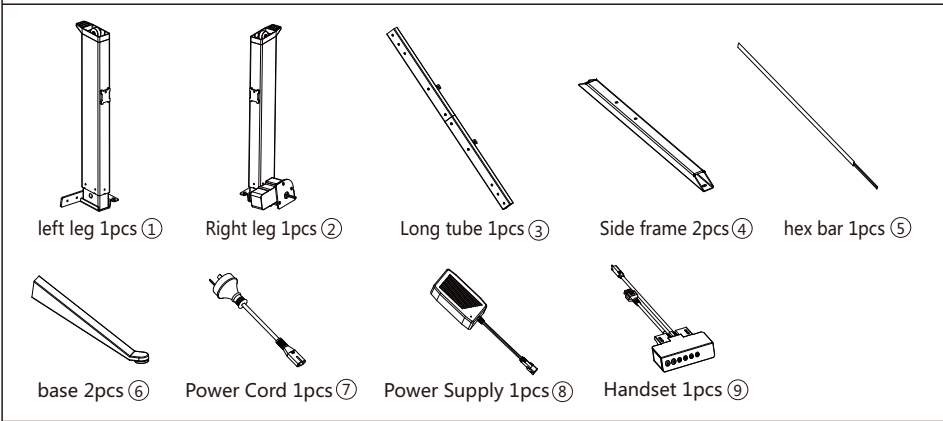
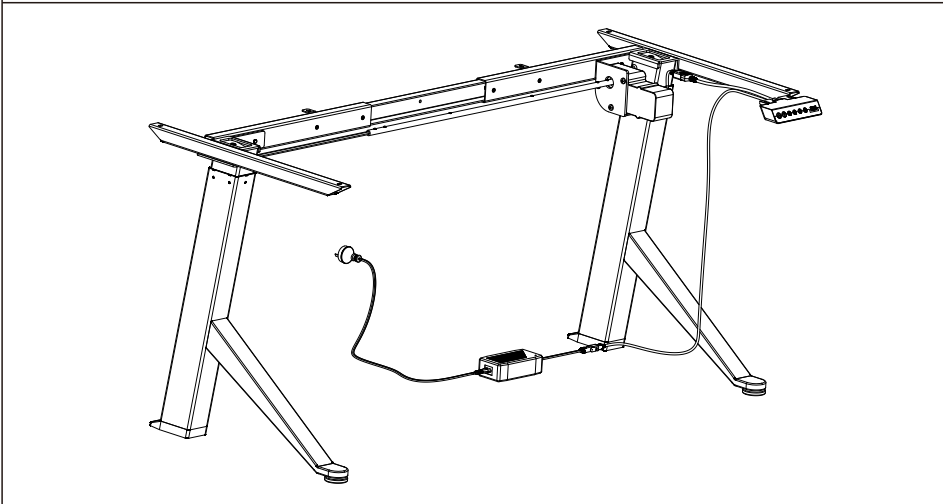
8



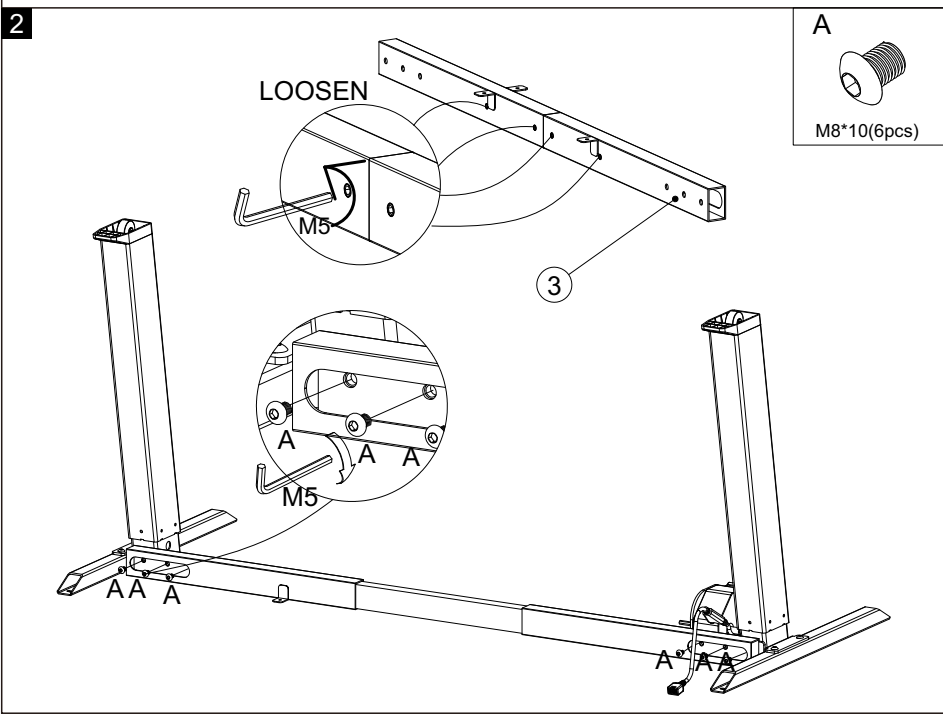
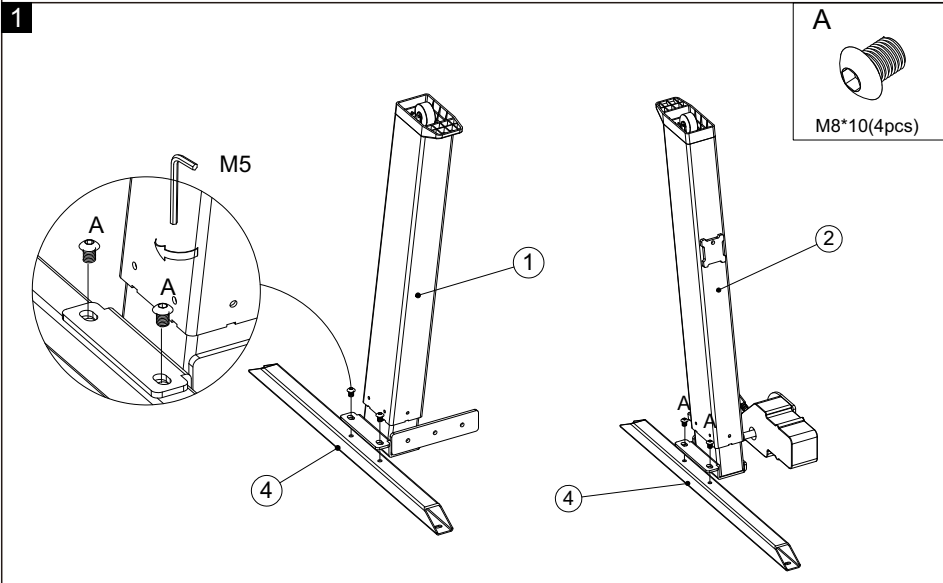
# Installation instruction



# Installation instruction



# Installation instruction



# Installation instruction

