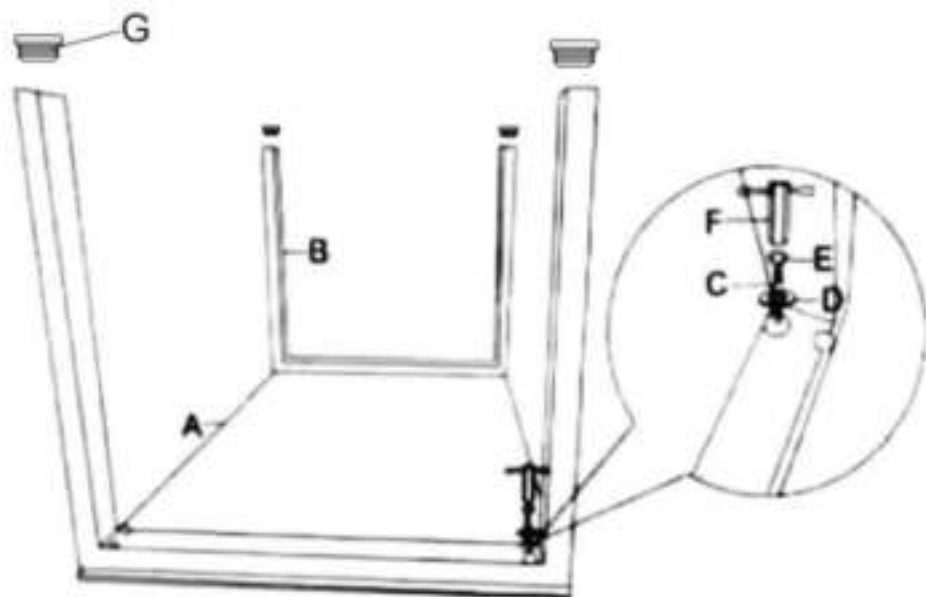
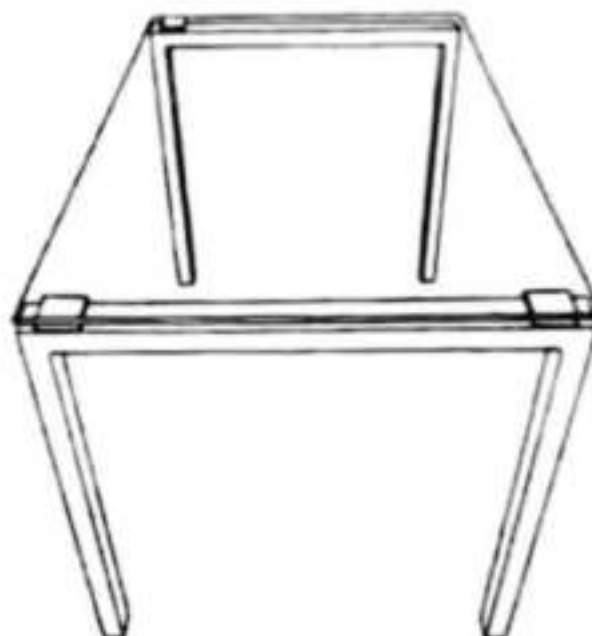


1**1**

A 	B 	C 8 x 55mm	D 	E 	F 	G
x1	x2	x8	x8	x8	x1	x4