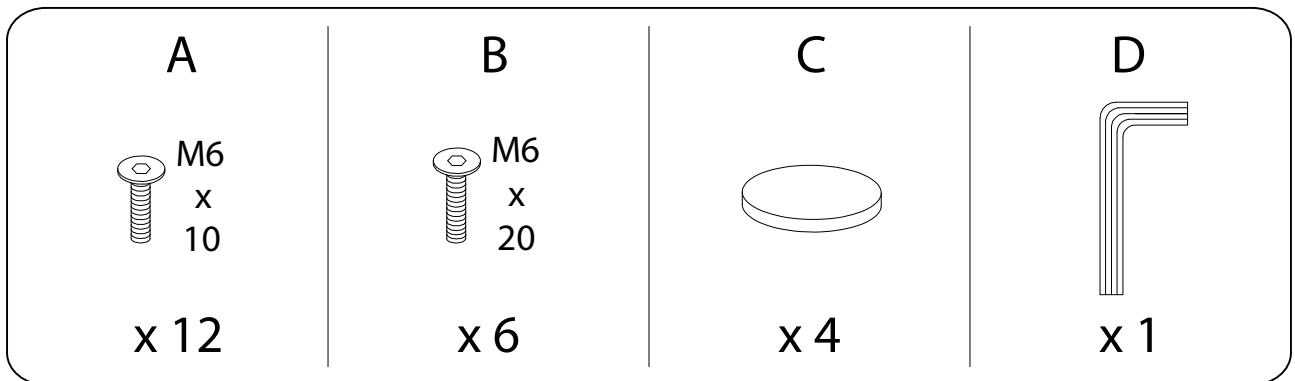
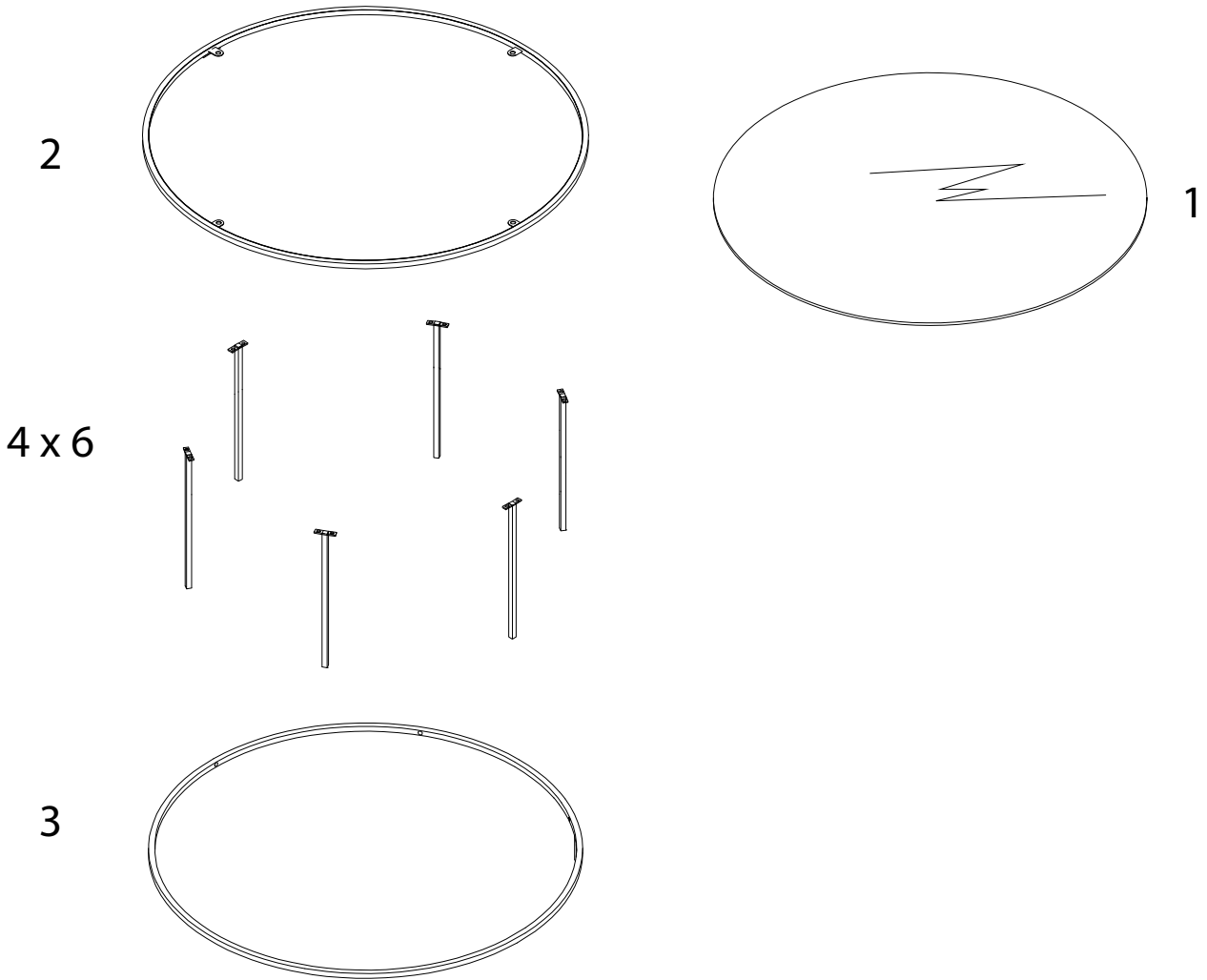
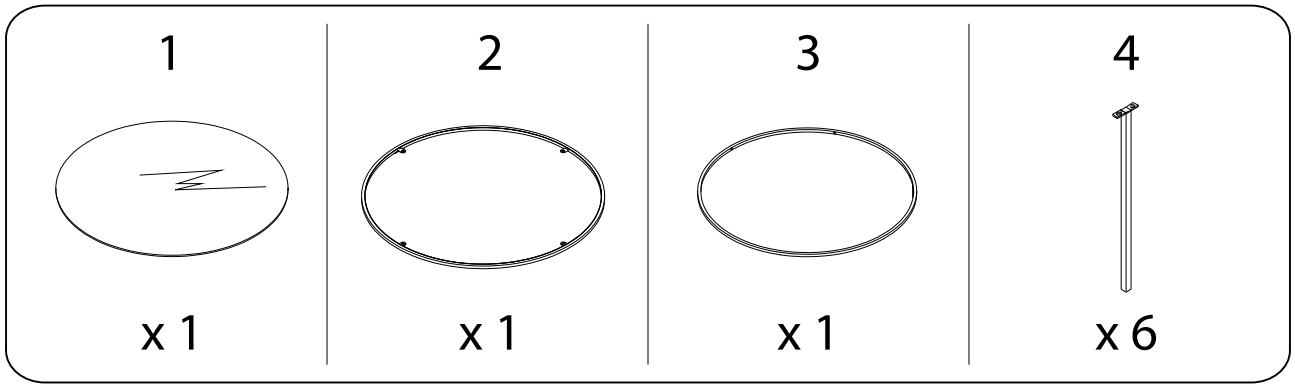
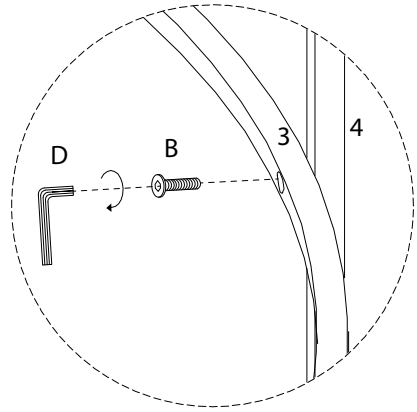
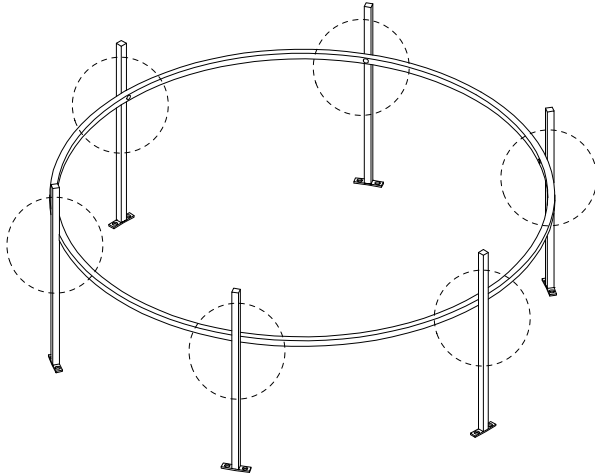
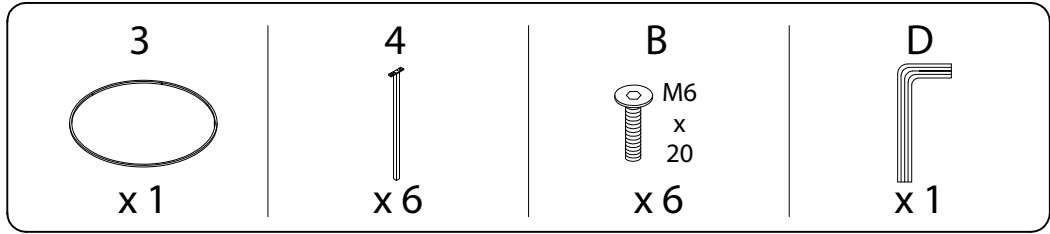


Diagram illustrating assembly instructions and safety warnings:

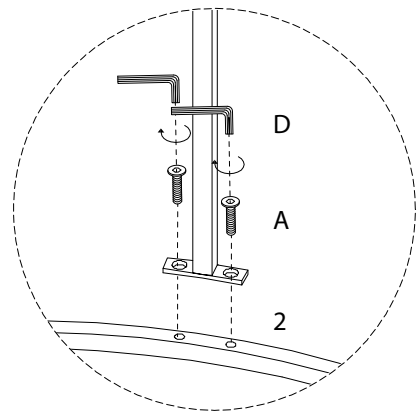
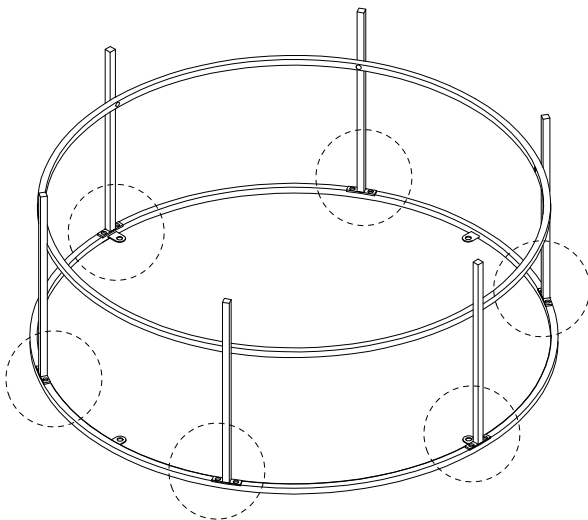
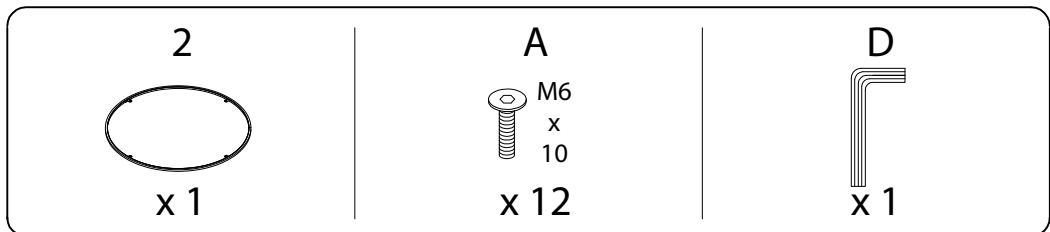
- Top Section:** Shows an L-shaped metal bracket and a power drill with a slash through it, indicating that a power drill should not be used. A warning triangle with an exclamation mark is positioned to the right.
- Bottom Section:** Shows a rectangular block being placed on a textured surface and another block being secured with a screw. A warning triangle with an exclamation mark is positioned to the right.
- Timing:** A clock icon is shown with the text "30'" below it, indicating a 30-minute assembly time.
- Personnel:** A person icon is shown with the number "1" below it, indicating that one person is required for assembly.



1



2

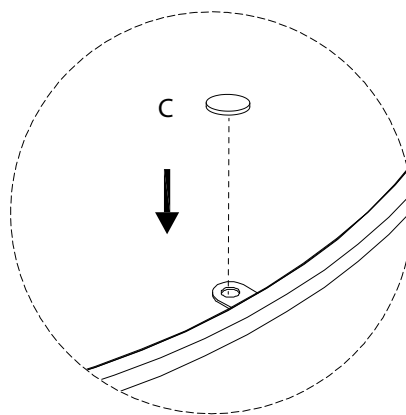
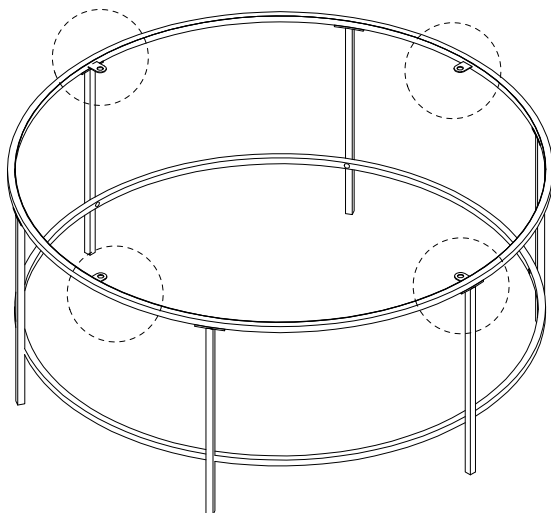


3

C



x 4



4

1



x 1

