

LIST OF ACCESSORIES

M6 x 13



A x 4

M8 x 25



B x 12

ø8



C x 12

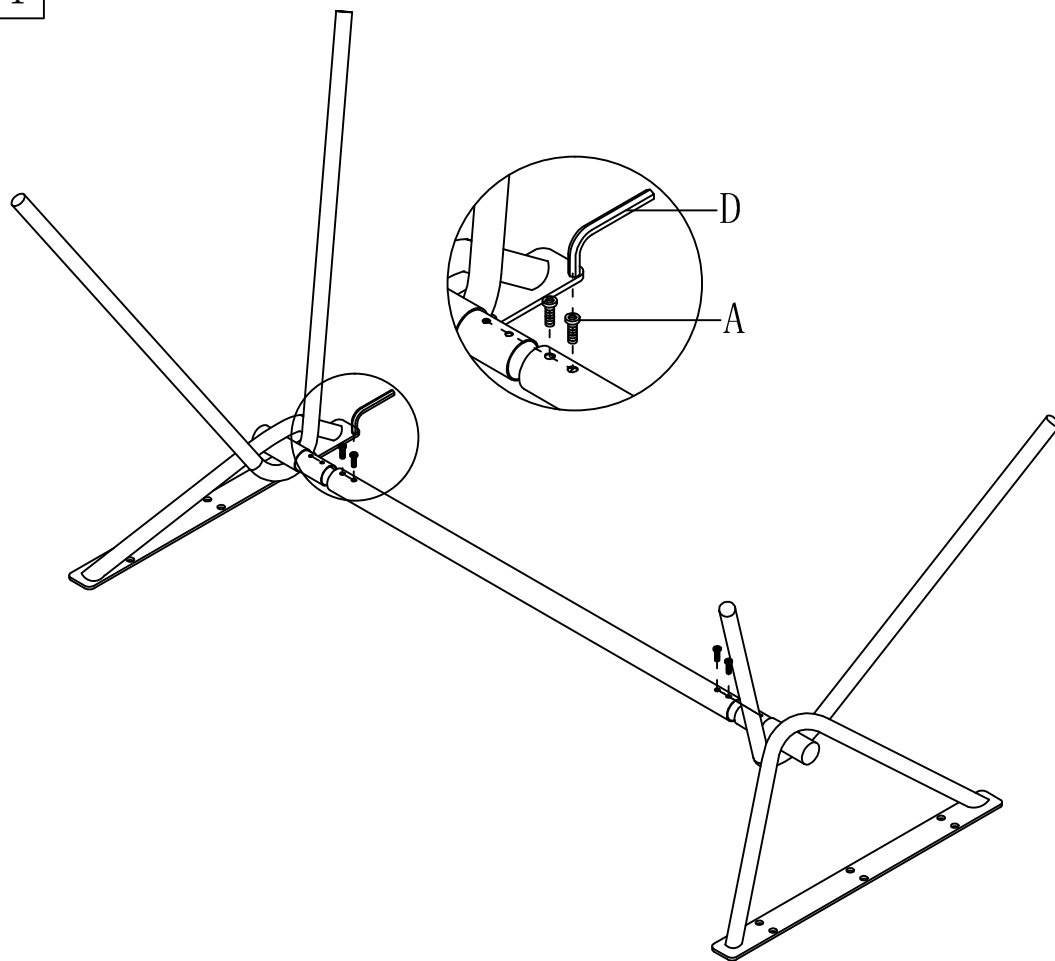
M5



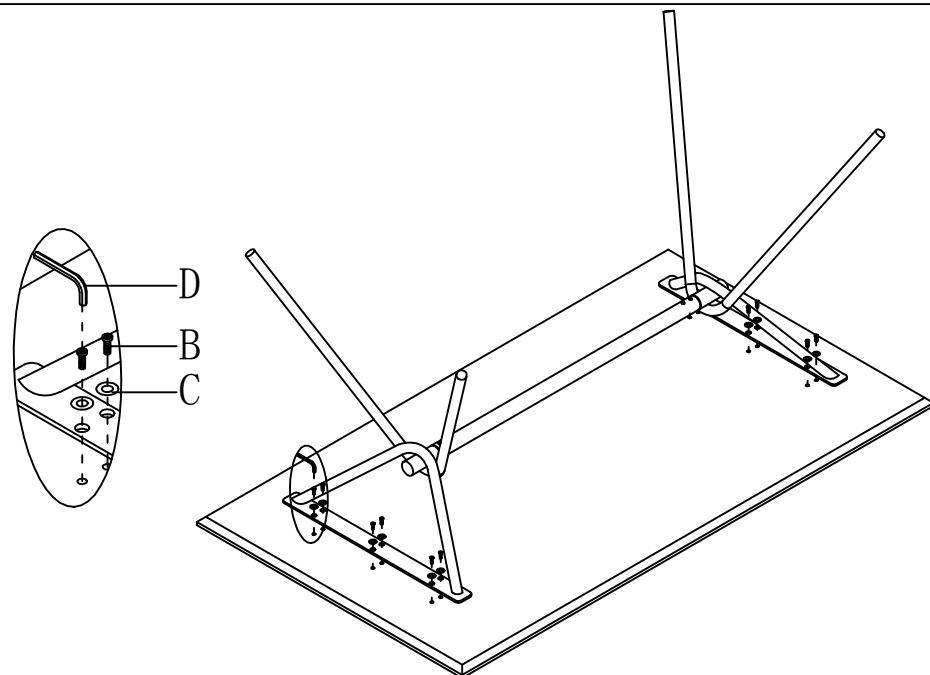
D x 1

ASSEMBLING STEPS

1



2



3

