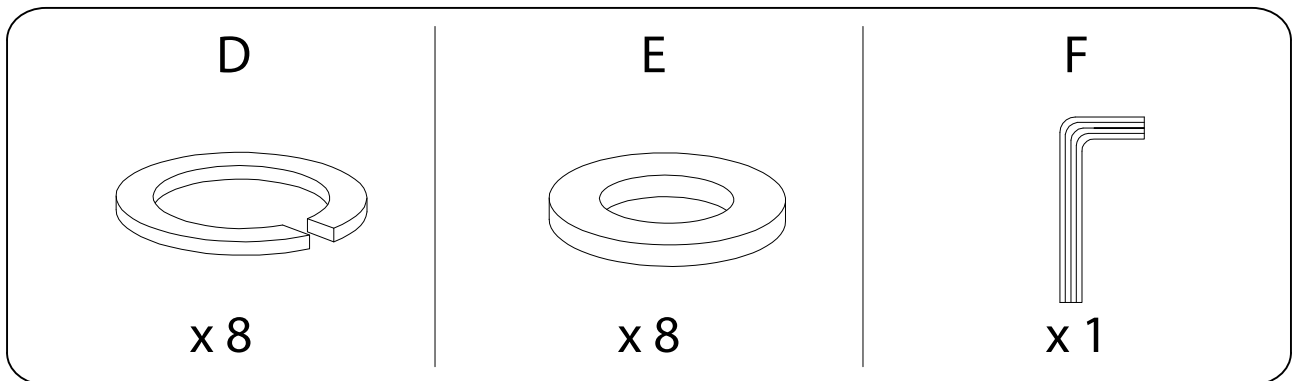
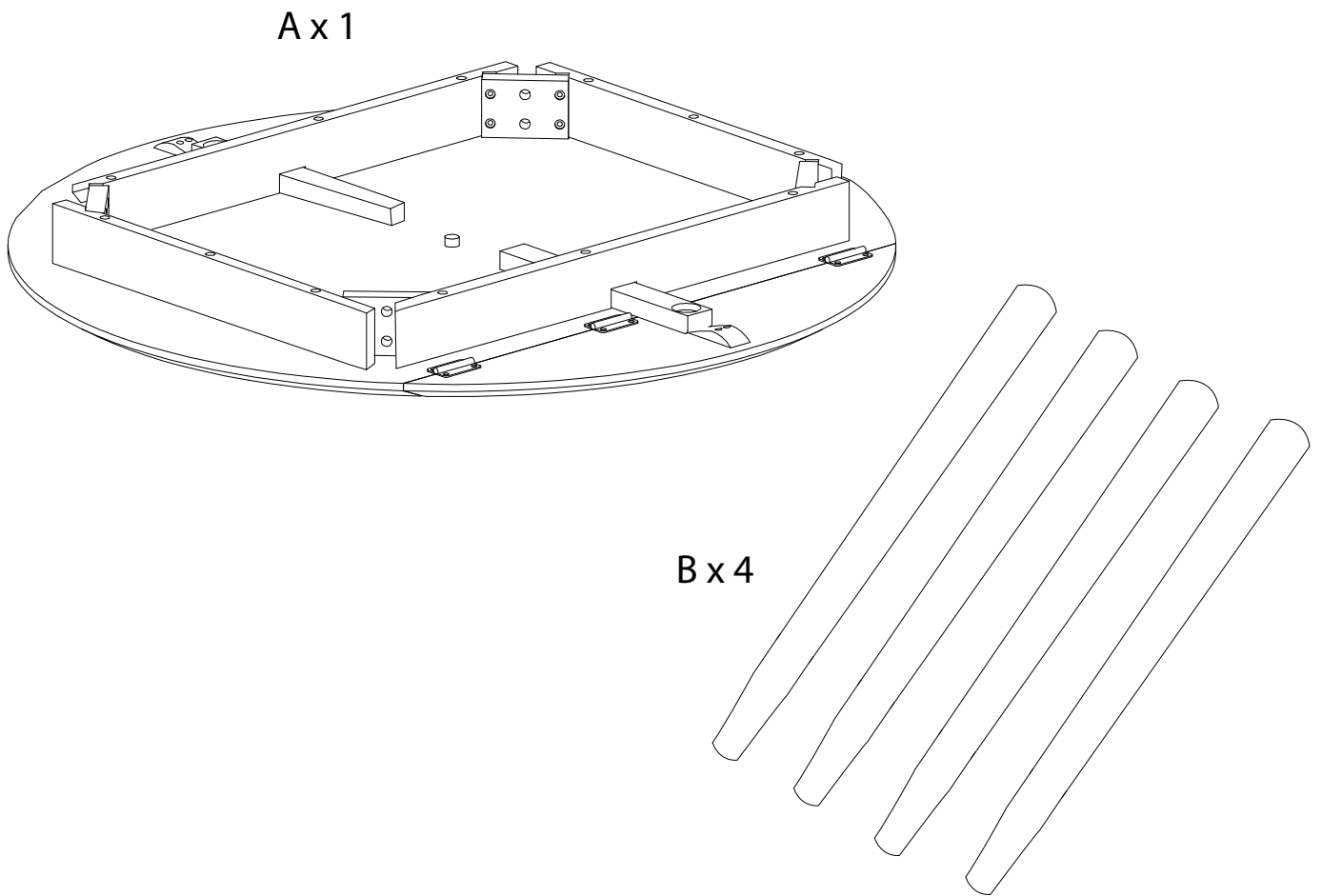
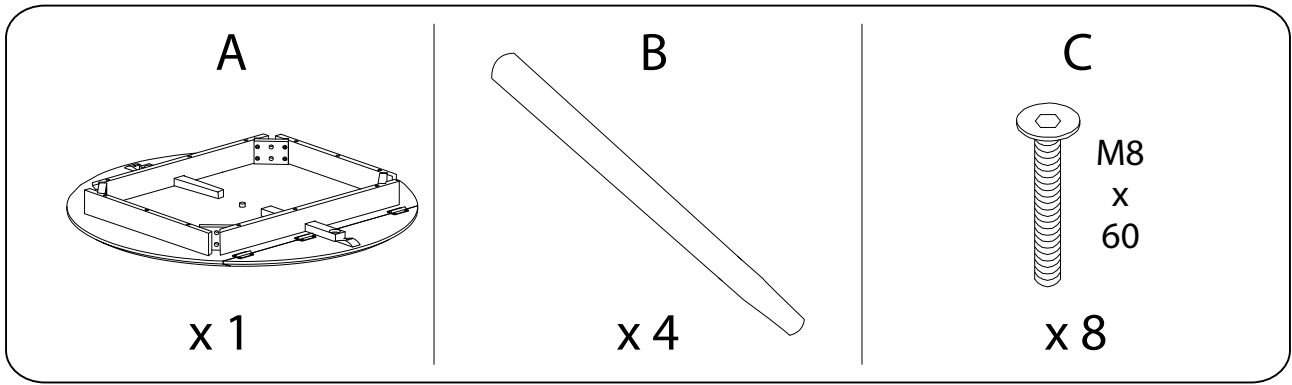




Diagram illustrating assembly instructions and safety warnings:

- Warning 1:** A triangle with an exclamation mark. To its left, a circular inset shows a corner bracket, and next to it is a crossed-out power drill icon, indicating that a power drill should not be used for this step.
- Warning 2:** A triangle with an exclamation mark. To its left, a circular inset shows a rectangular block being placed on a textured surface, and next to it is a crossed-out icon of the block being placed on a smooth surface, indicating that the table should be placed on a soft, textured surface.
- Time:** A clock icon with the text "20'" below it, indicating an estimated assembly time of 20 minutes.
- Person:** An icon of a person with the number "1" below it, indicating that one person is required for assembly.



1

