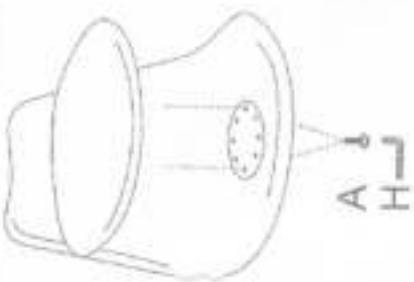


③

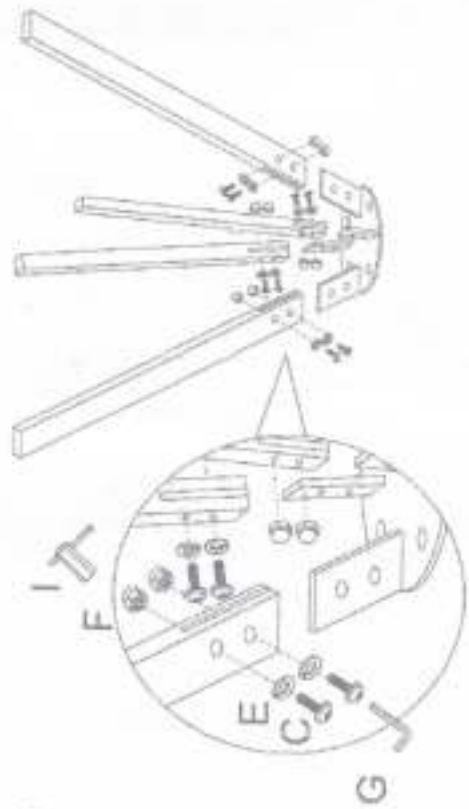
④

A	2Pcs	C	8Pcs	E	12Pcs	G	1Pc	I	1Pc	J	1Pc
B	4Pcs	D	4Pcs	F	8Pcs	H	1Pc				

ASSEMBLING STEPS



①



②