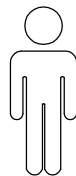
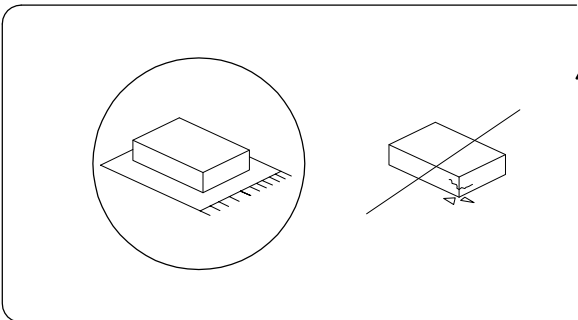
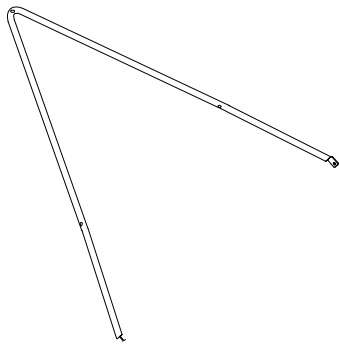
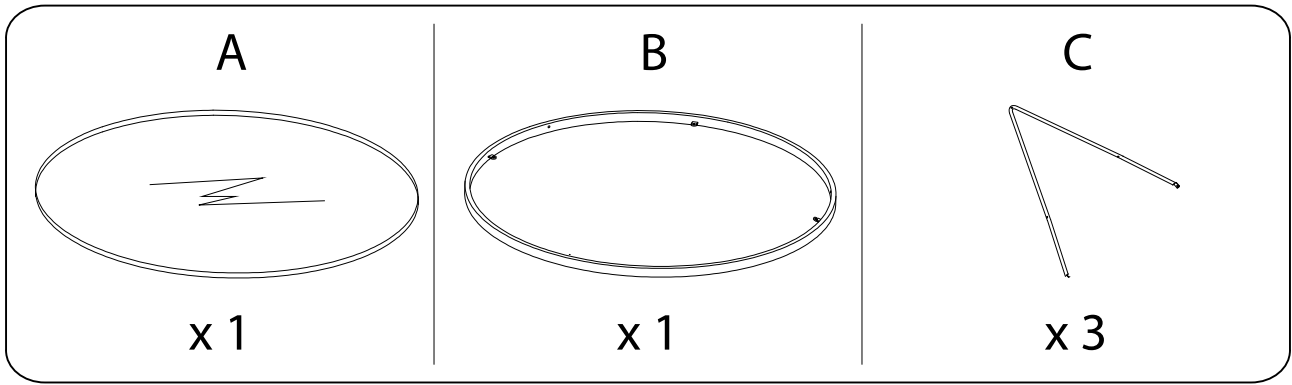


30'

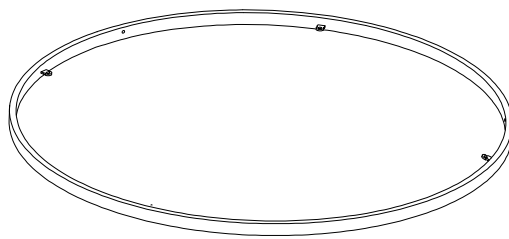


1

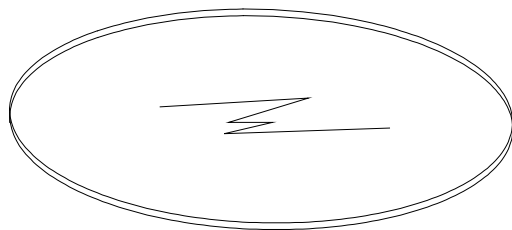
1/5



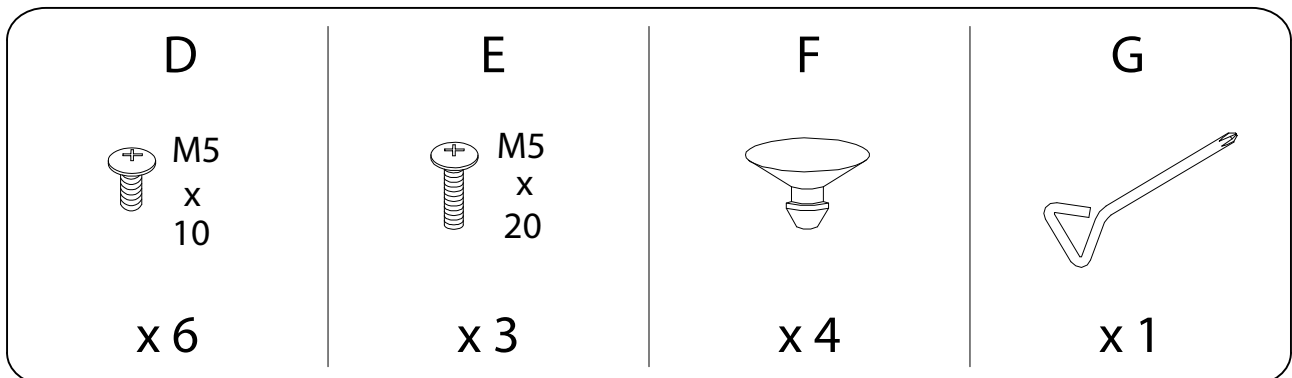
C x3



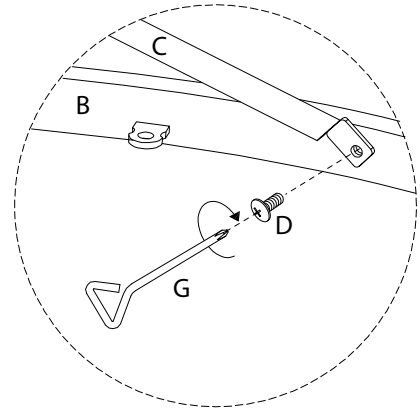
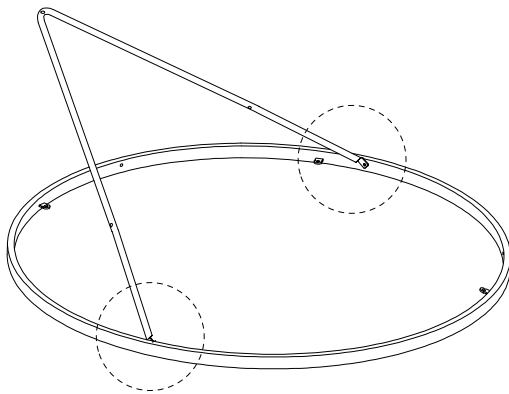
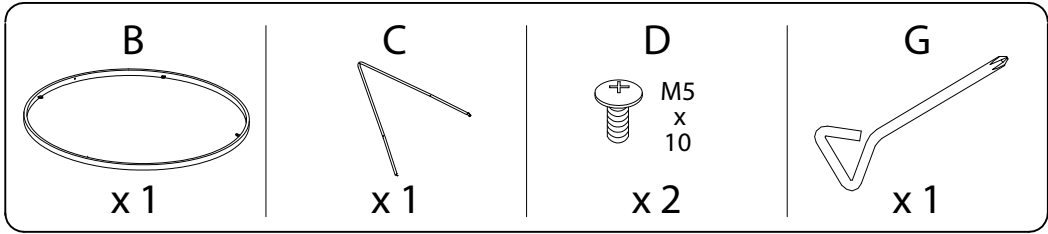
B



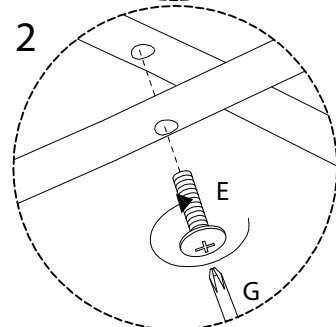
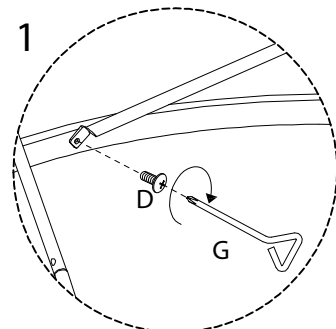
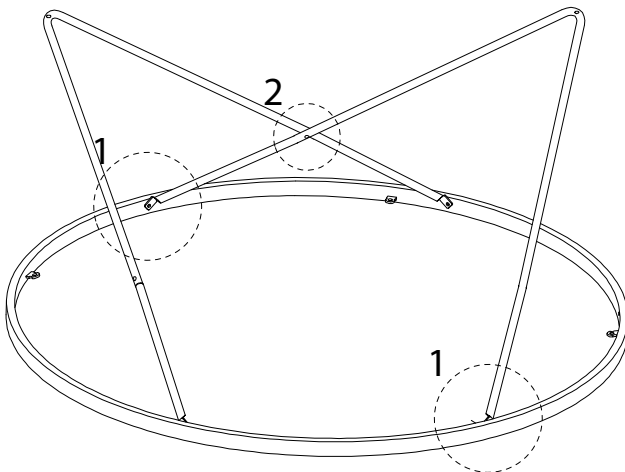
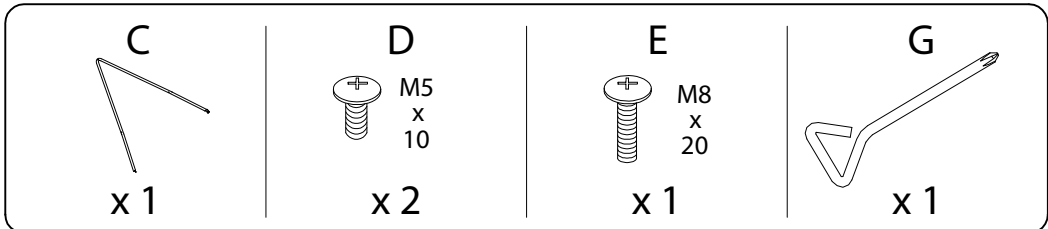
A



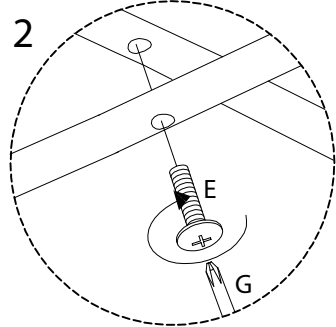
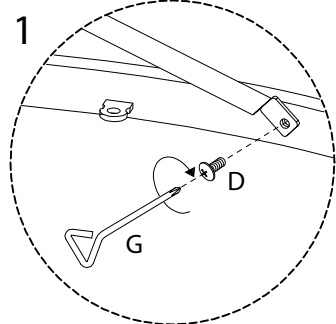
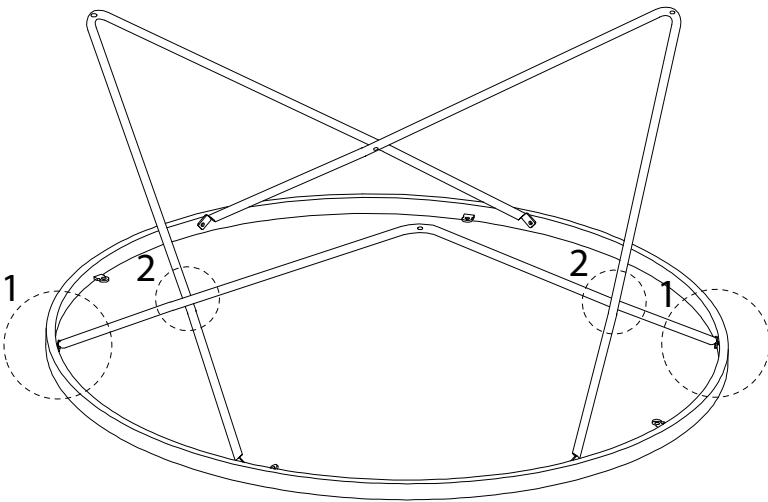
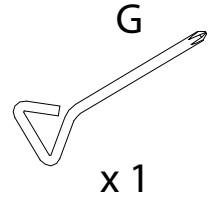
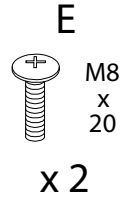
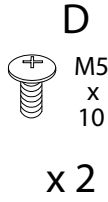
1



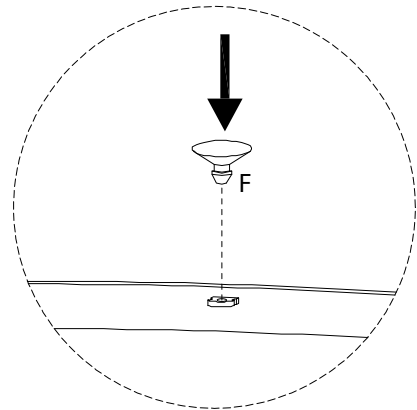
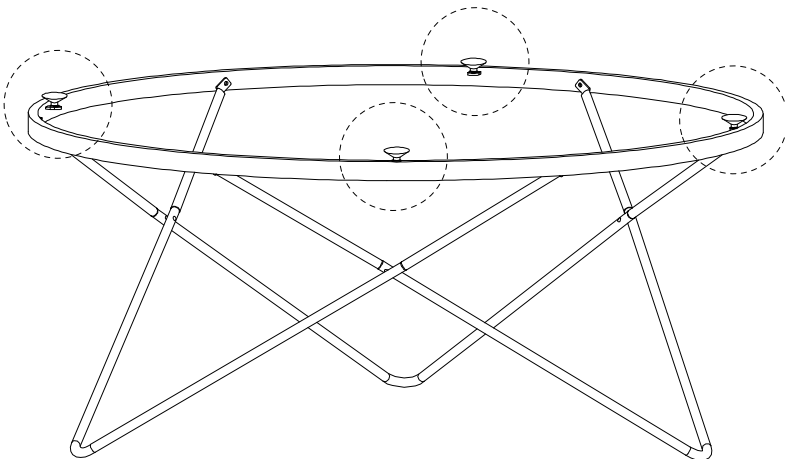
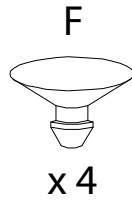
2



3



4



5

