

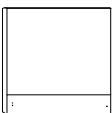

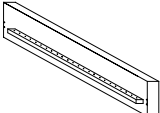
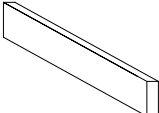

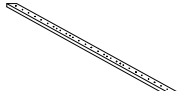

Diagram illustrating assembly instructions for the bed frame, including warnings, time, and person requirements.

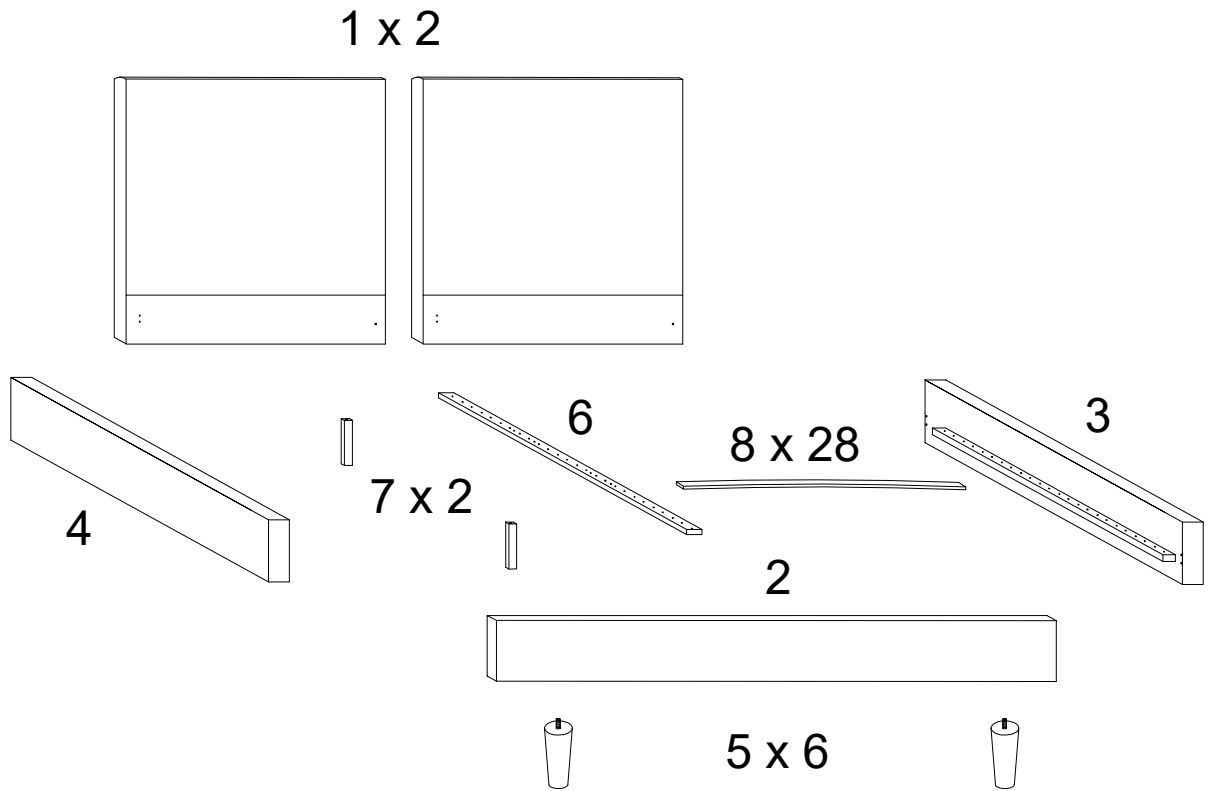
Warning 1: Do not use a power drill. (Icon: L-shaped metal bracket and a crossed-out power drill).


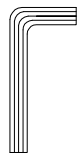
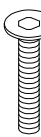
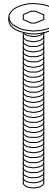

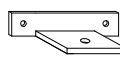
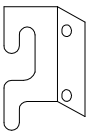
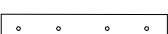
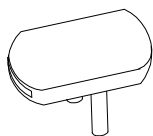
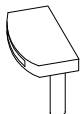
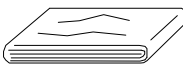
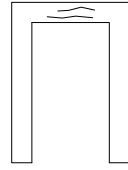
Warning 2: Do not use a screwdriver. (Icon: A rectangular block being inserted into a hole and a crossed-out screwdriver).

Time: 30' (Icon: A clock face).

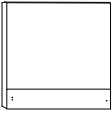
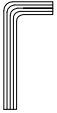
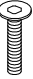
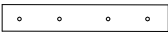
Personnel: 2 (Icon: A person silhouette).

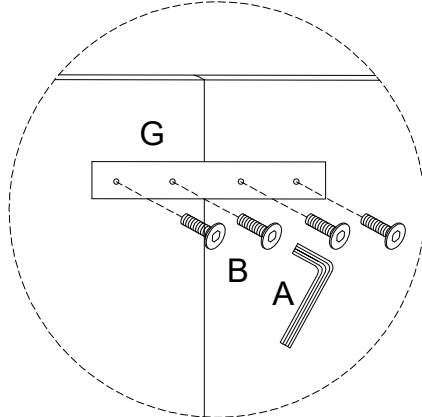
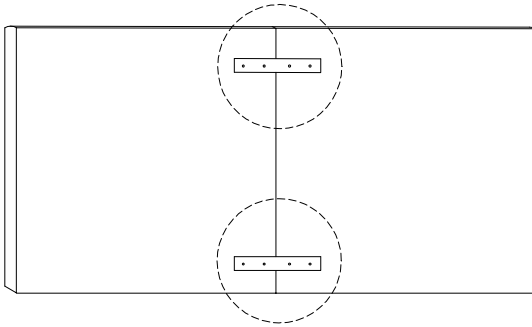
1	2	3	4	5	6	7
						
x 2	x 1	x 1	x 1	x 6	x 1	x 2




8	A	B	C	D	E
		 M8 x 25	 M8 x 45	 M6 x 20	
x 28	x 1	x 28	x 2	x 2	x 2
F	G	H	I	J	K
					
x 4	x 2	x 14	x 28	x 1	x 1

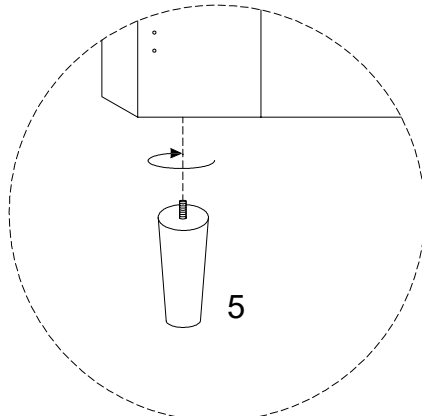
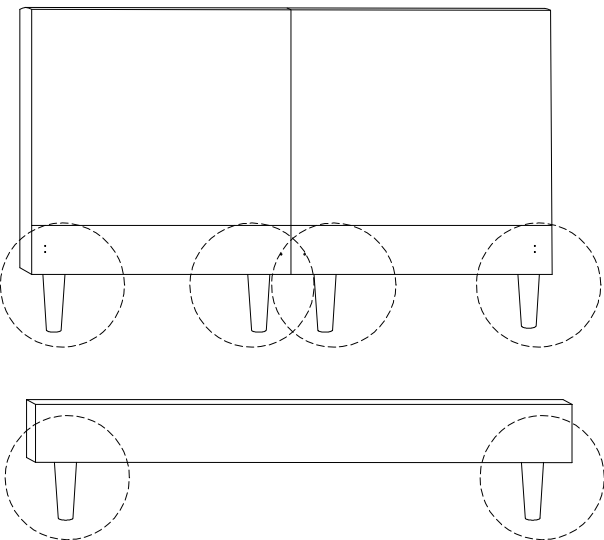
1

1  x 2	A  x 1	B  M8 x 25 x 8	G  x 2
--	--	--	--

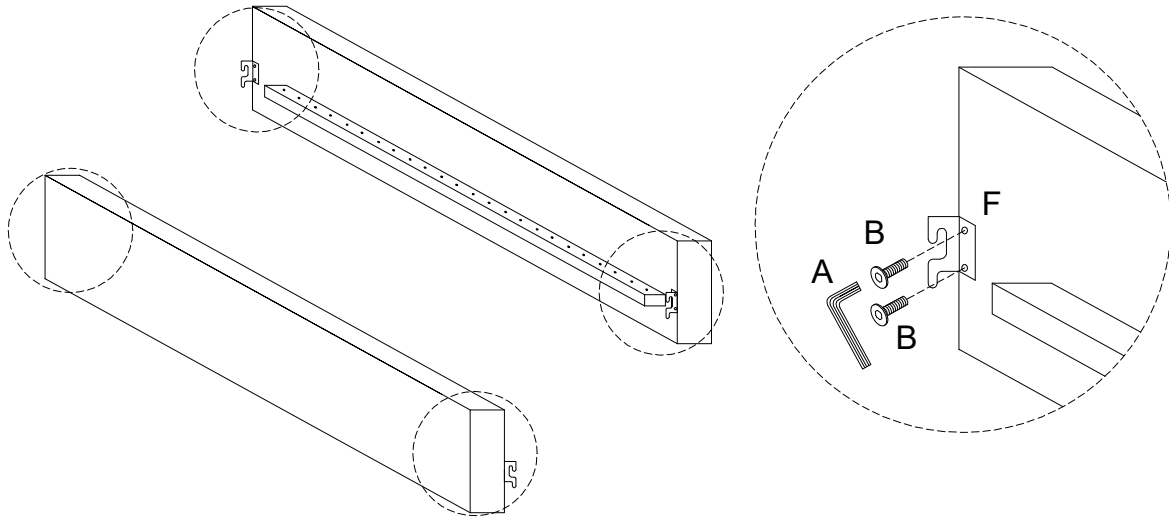
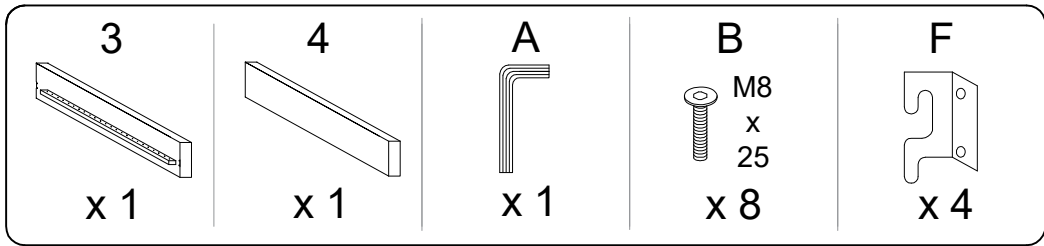


2

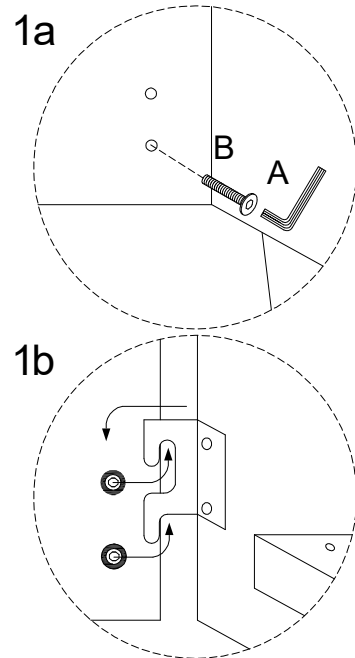
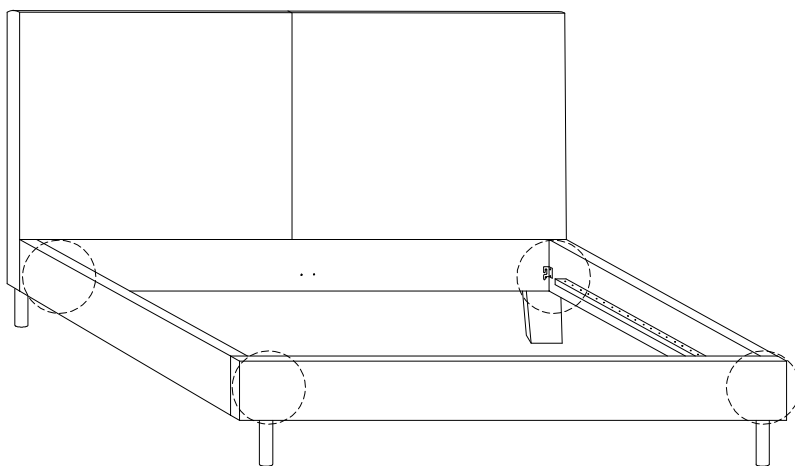
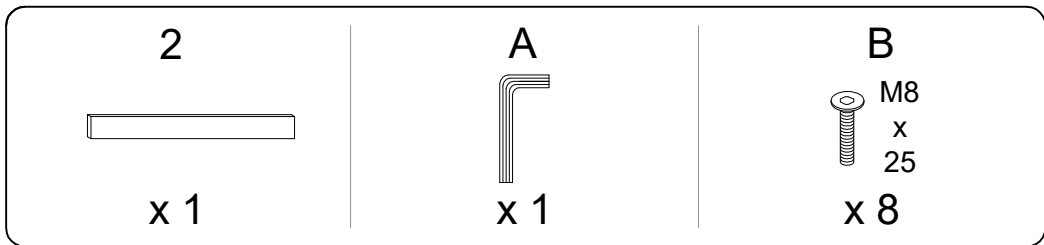
5  x 6
--



3

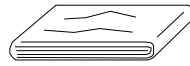


4

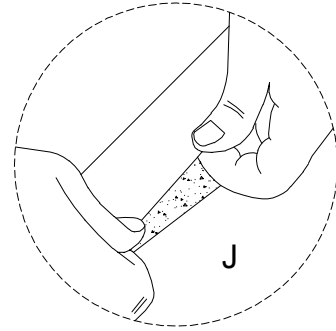
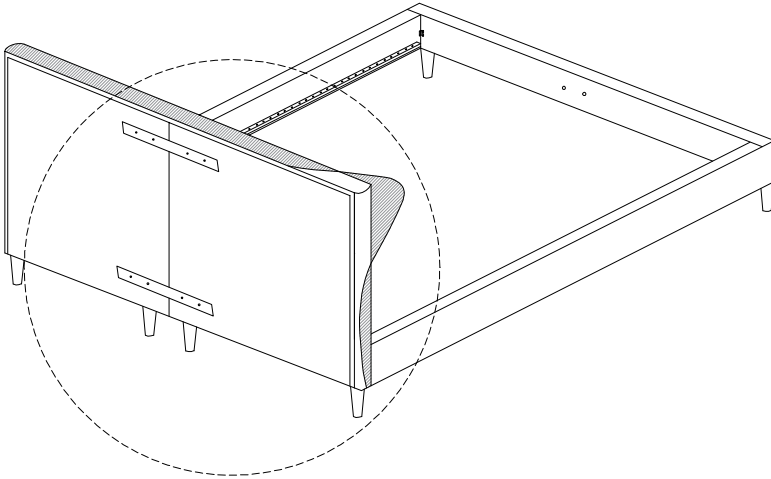


5

J

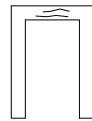


x 1

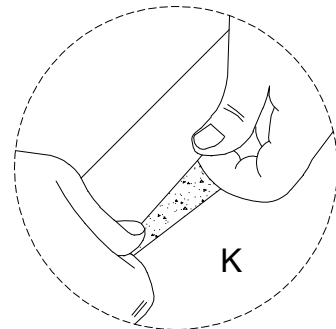
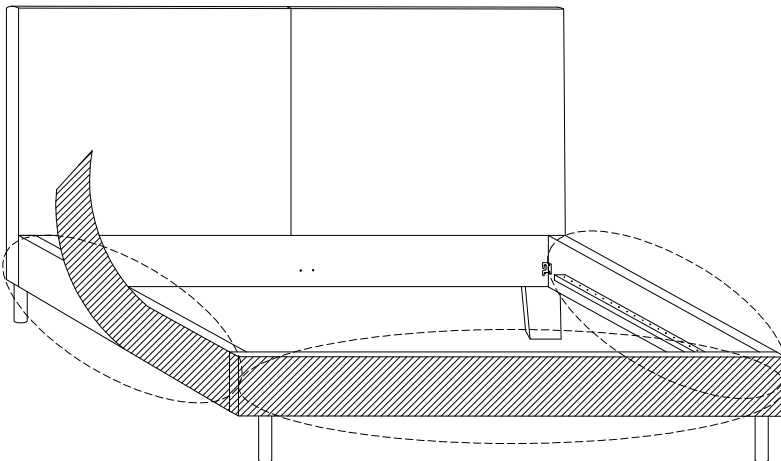


6




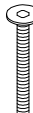

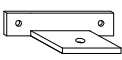
K

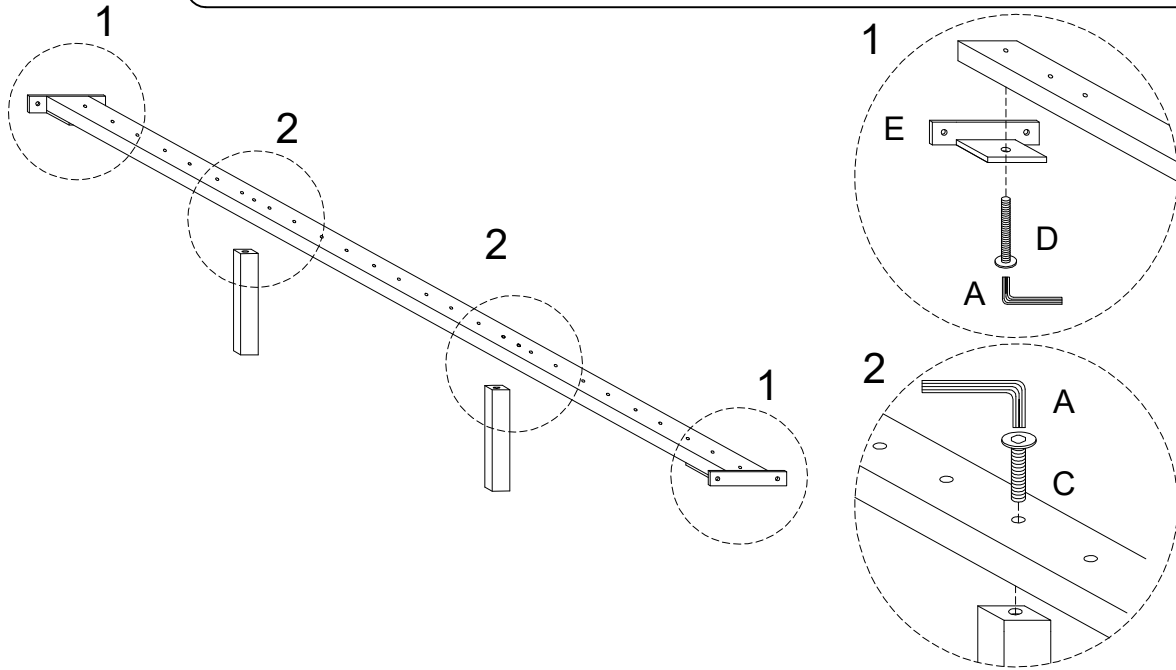


x 1


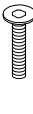


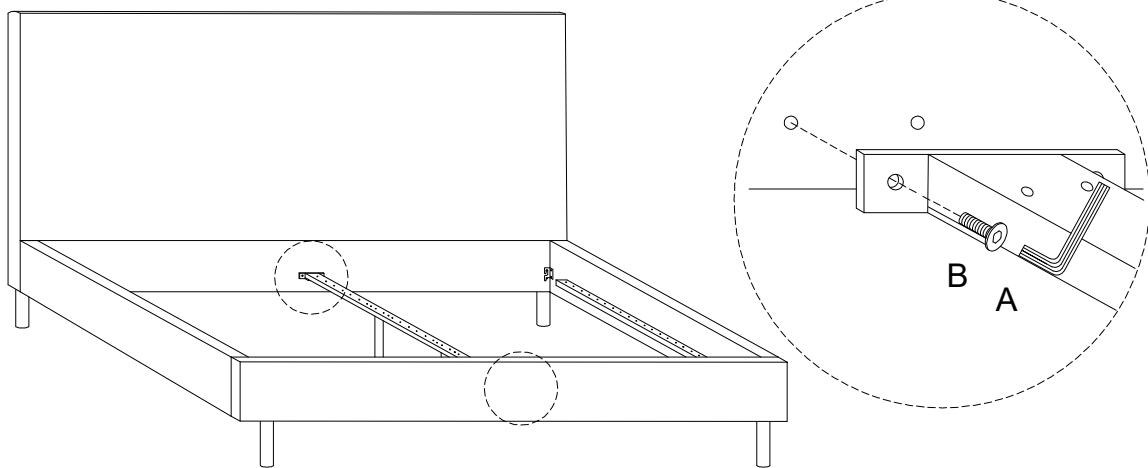
7

6  x 1	7  x 2	A  x 1	C  M8 x 45 x 2	D  M6 x 20 x 2	E  x 2
--	--	--	--	--	--

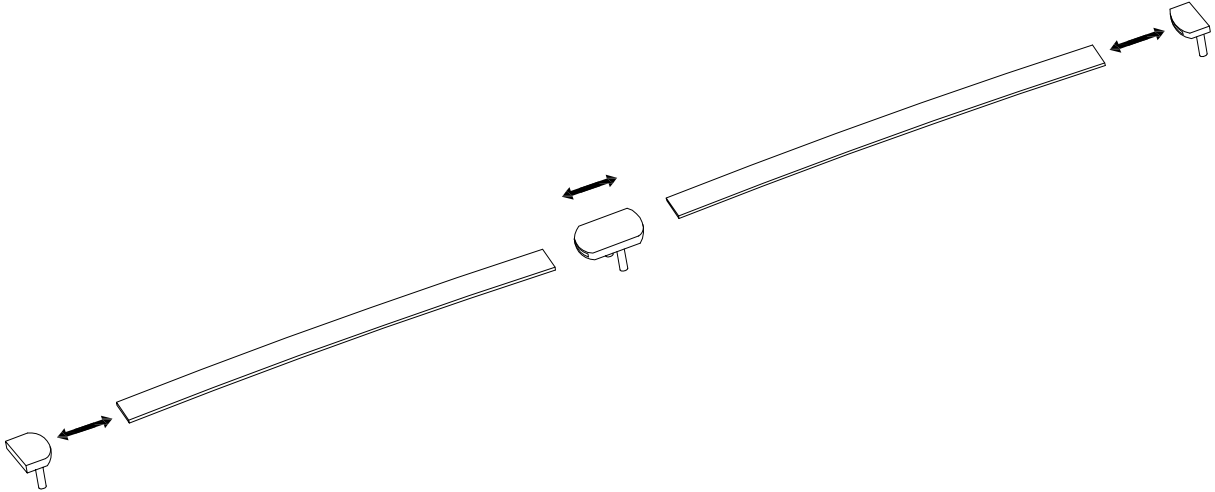
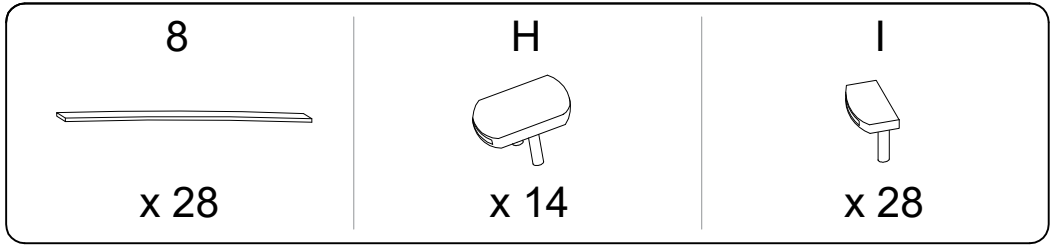


8

A  x 1	B  M8 x 25 x 4
--	--



9



10

