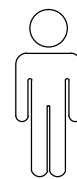
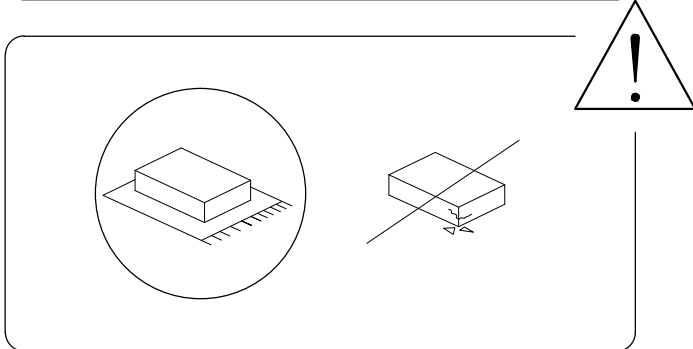
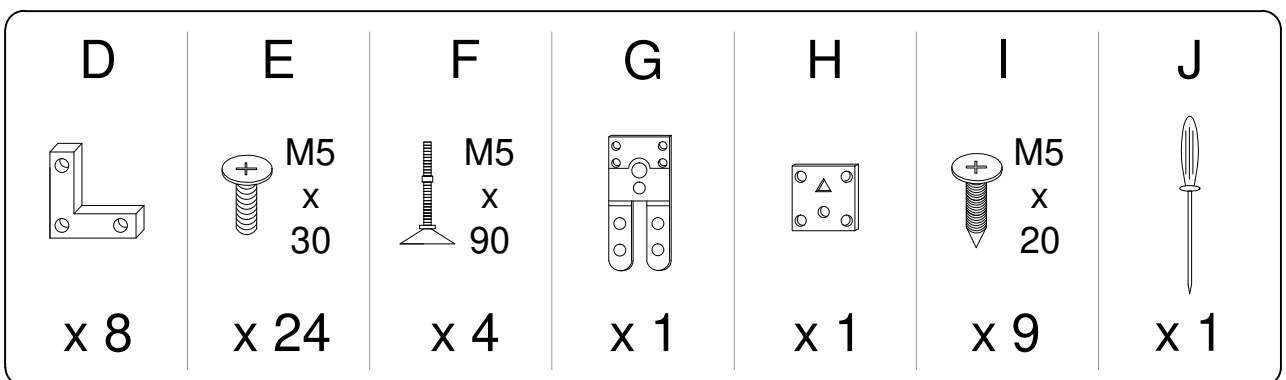
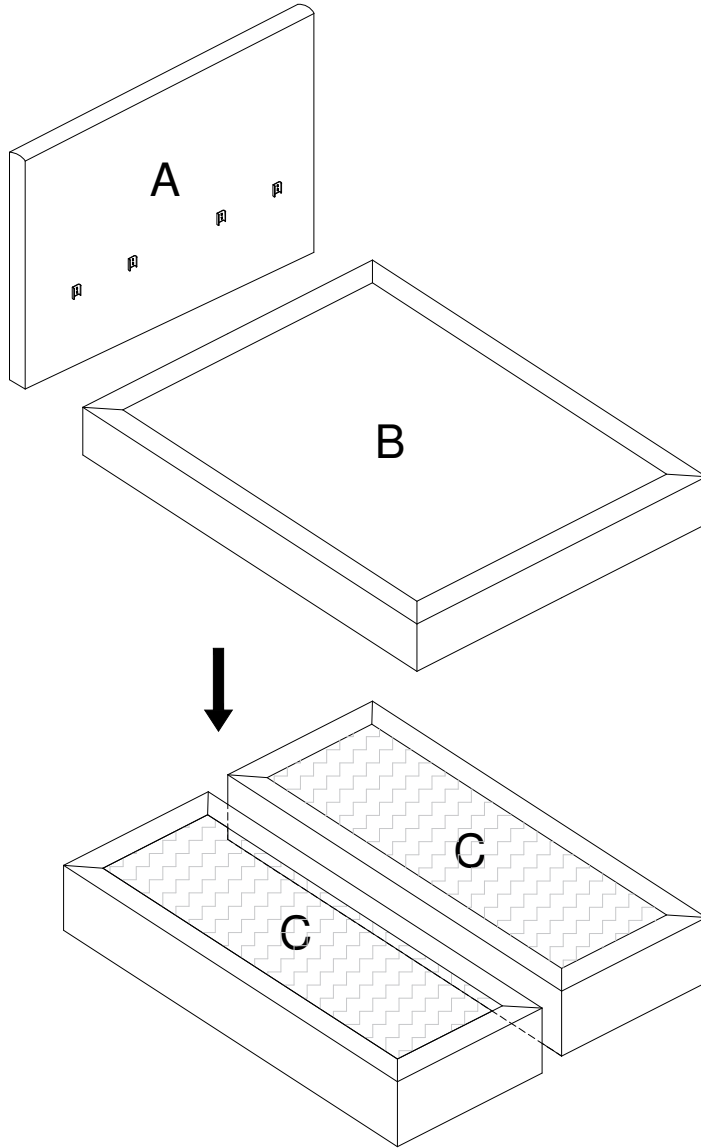
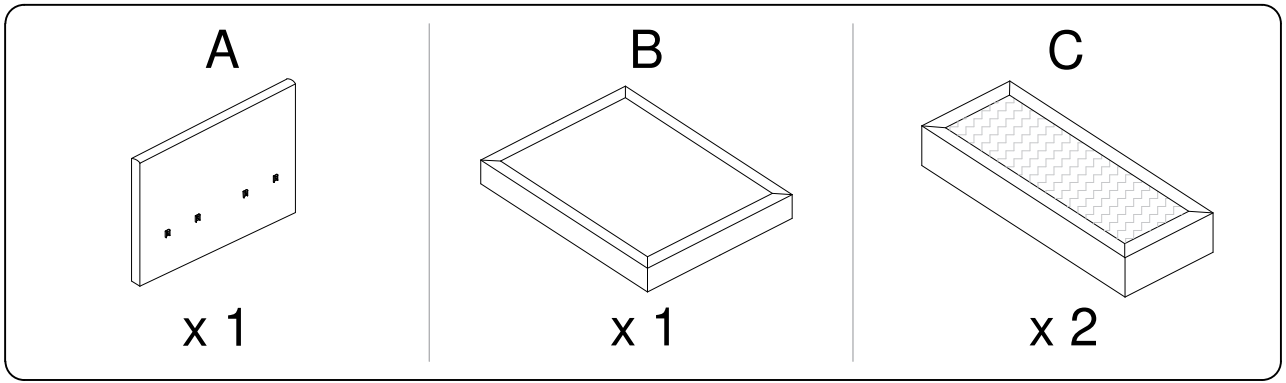


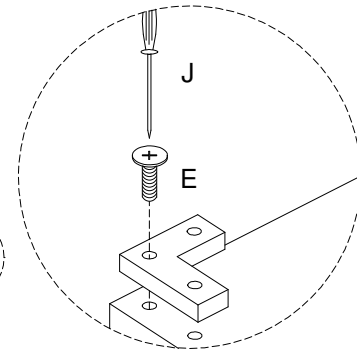
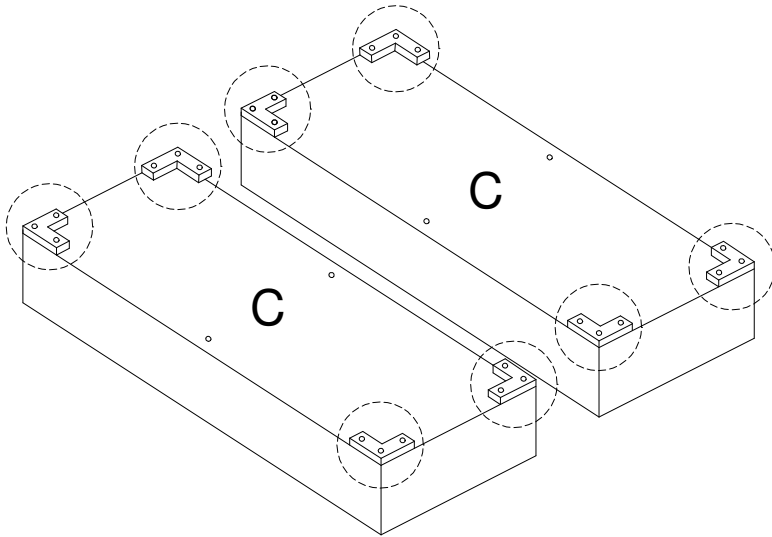
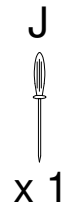
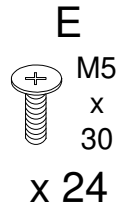
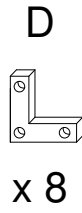
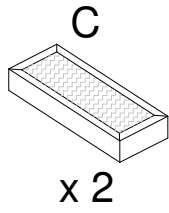
45'



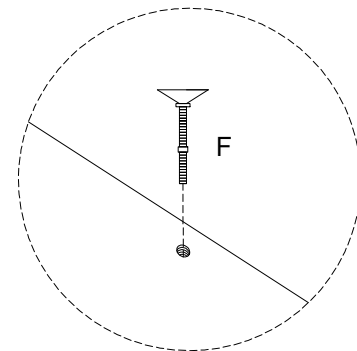
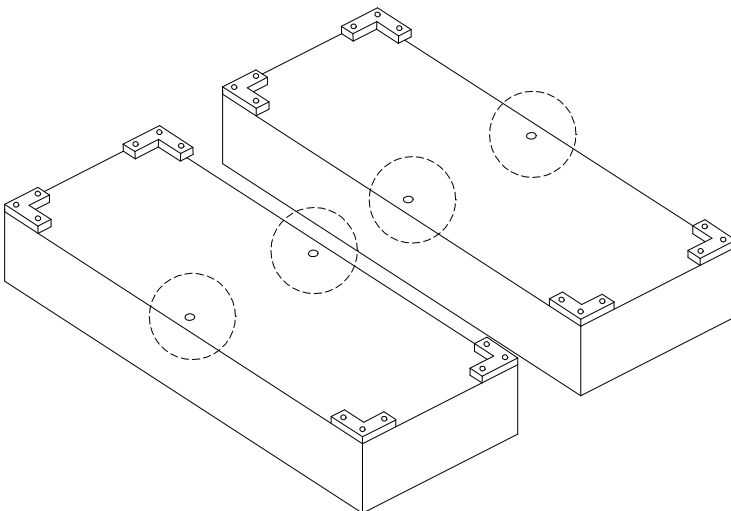
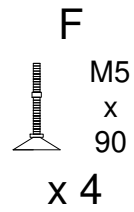
2



1

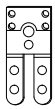


2



3

G



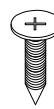
x 1

H



x 1

I

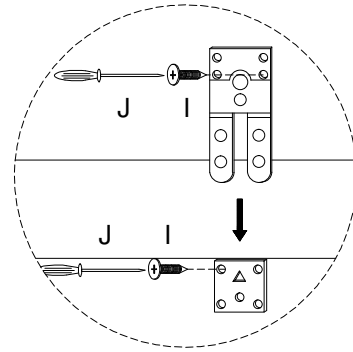
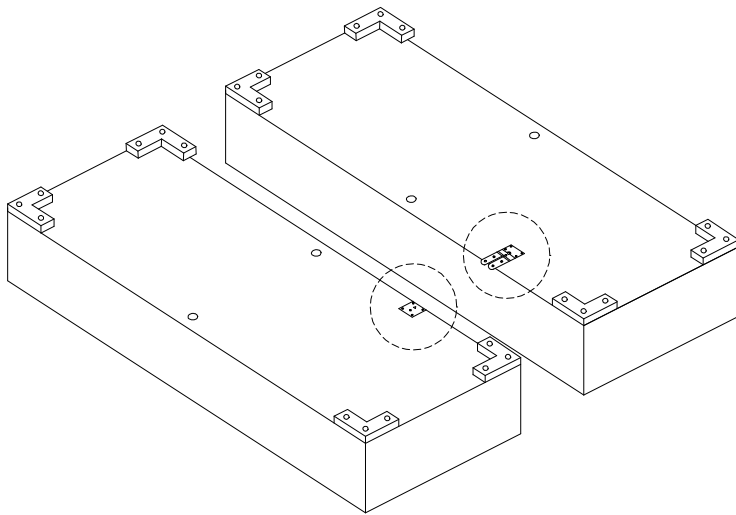


M5
x
20
x 9

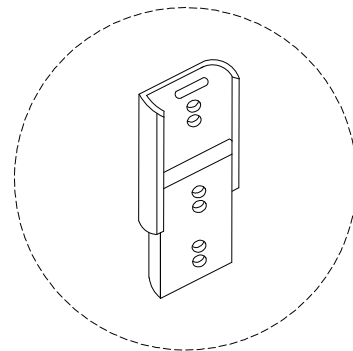
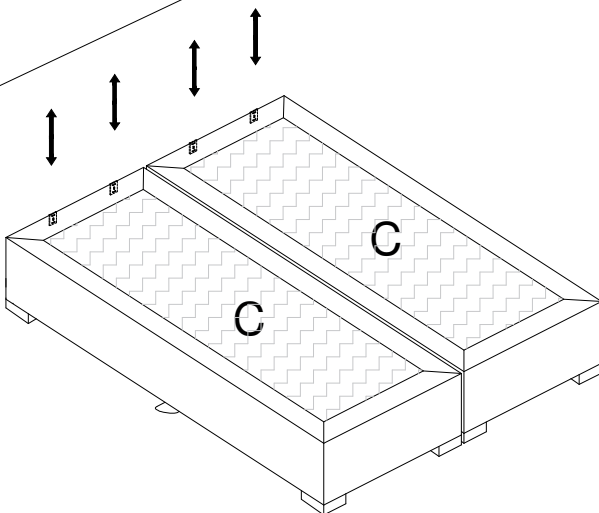
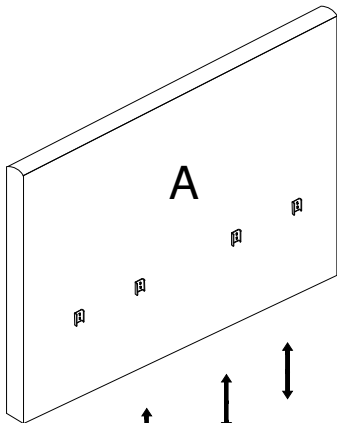
J



x 1



4



5

