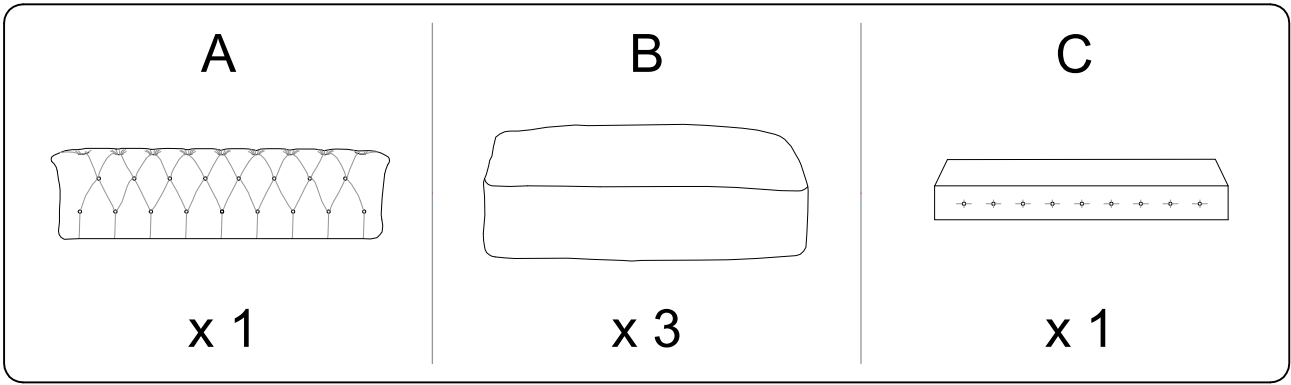


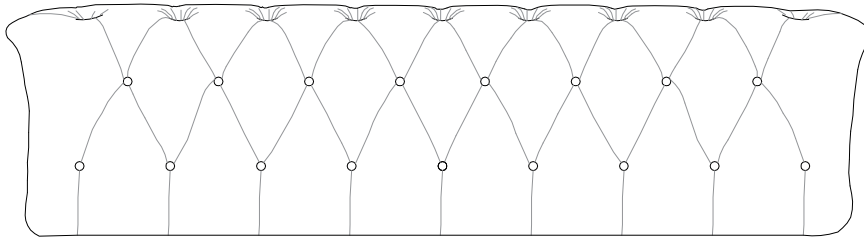
30'



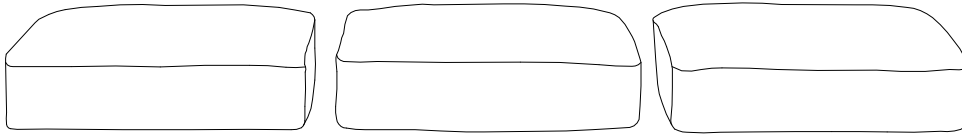
2



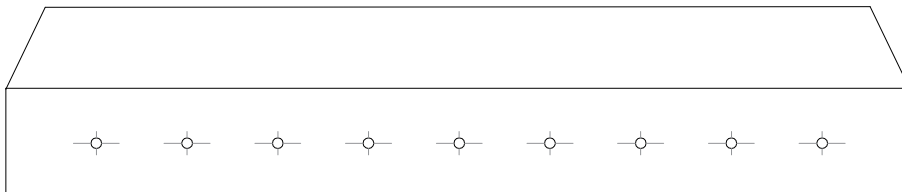
**A x 1**



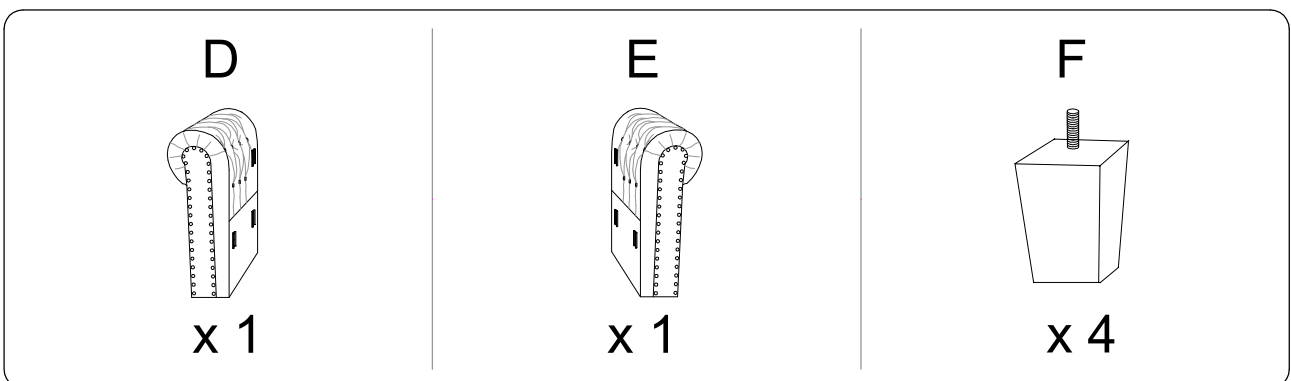
**B x 3**



**C x 1**



**F x 4**



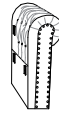
1

D



x 1

E

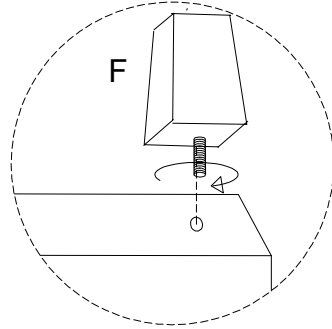
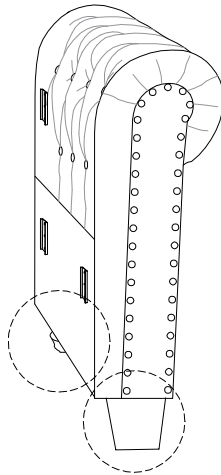
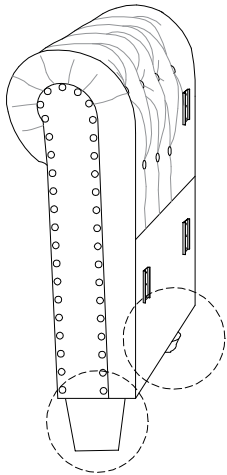


x 1

F



x 4

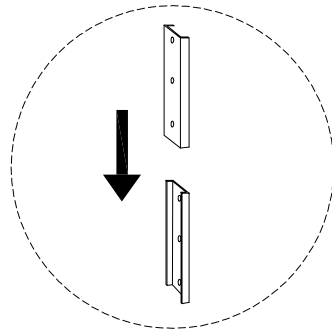


2

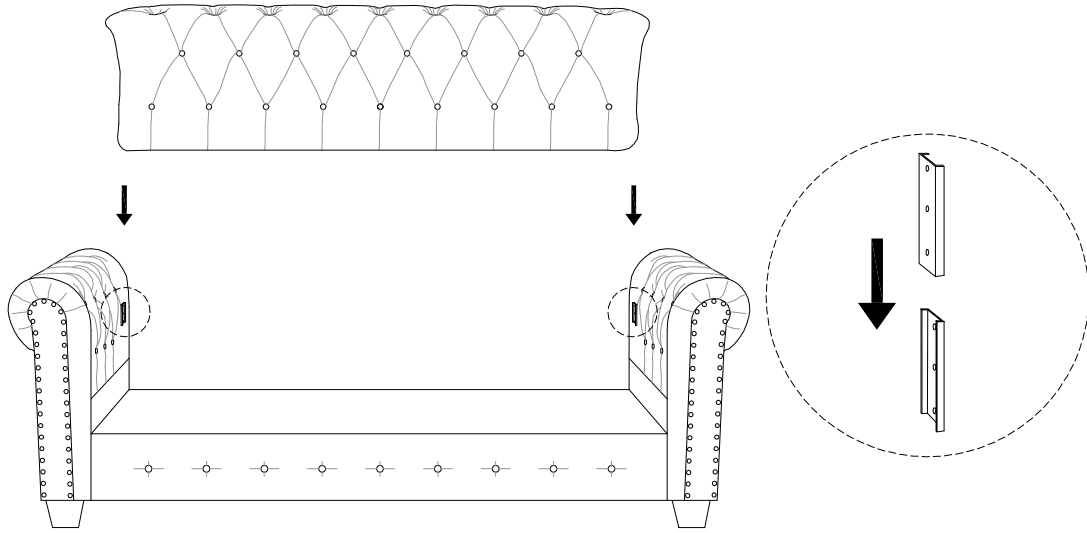
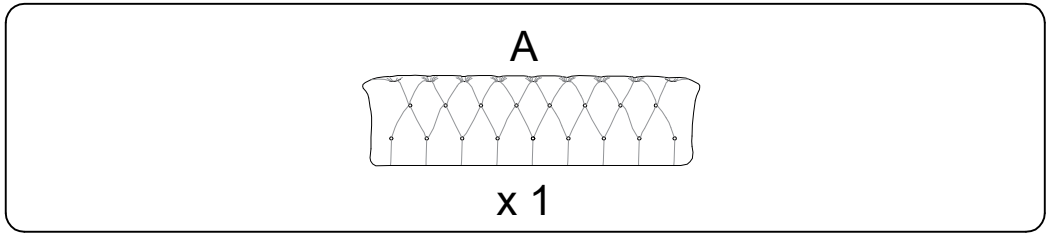
C



x 1



3



4

